

**REPAIR PARTS MANUAL**  
**MODEL NO. 296120**  
**6.5 HP 17 Inch**  
**Tiller**

---

**CRAFTSMAN<sup>®</sup>**

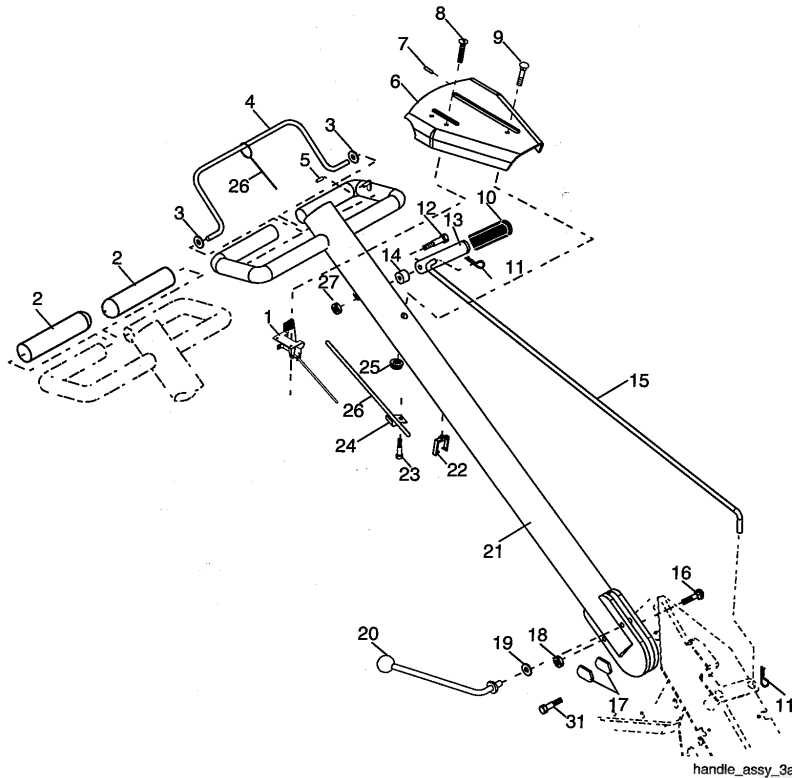
404509 01.30.06 TR  
PRINTED IN U.S.A.

---

# REPAIR PARTS

## TILLER -- MODEL NUMBER 917.296120

### HANDLES



KEY NO.	PART NO.	DESCRIPTION
1	189482	Throttle, Control
2	141406	Grip, Handle
3	110673X	Grommet, Handle
4	127254X	Bar, Drive Control Assembly
5	6712J	Cap, Vinyl
6	188403	Panel, Control
7	110641X	Bushing, Split
8	17720408	Screw, Thd Cut 1/4-20 x 1/2
9	72010520	Bolt, 5/16-18 x 2-1/2
10	110646X	Handle, Grip
11	4497H	Retainer Spring
12	81328	Bolt, Shoulder
13	18/407	Handle, Shift
14	109313X	Grommet, Rubber
15	110702X	Rod, Shift
16	STD533710	Bolt 3/8-16 x 1 Gr. 5
17	109229X	Lock, Handle

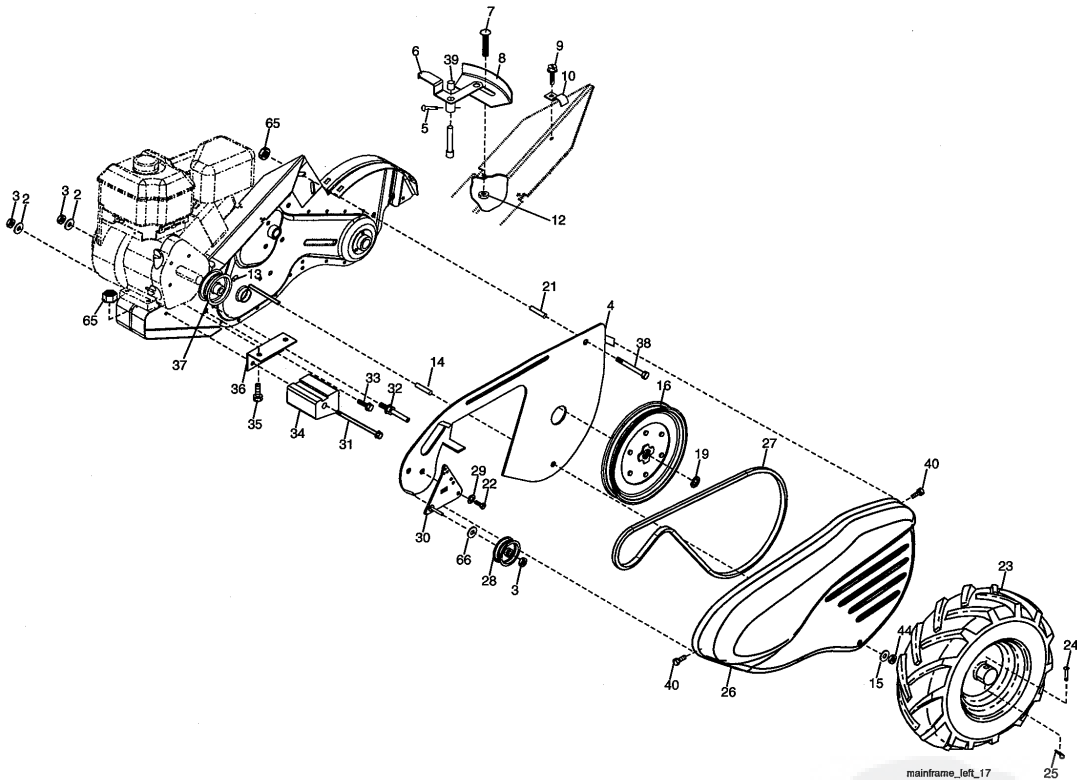
KEY NO.	PART NO.	DESCRIPTION
18	STD541437	Nut, Crownlock 3/8-16
19	19131611	Washer 13/32 x 1 x 11 Ga.
20	109228X	Lever, Lock, Handle
21	150628	Handle, Assemble
22	165197	Clip, Plastic, Cable
23	86777	Screw, Hex, Washer Hd, Slotted #10-24 x 1/2
24	9484R	Clip
25	73970500	Locknut, Hex, Flange
26	110675X	Clutch, Cable
27	73900400	Nut, Lock 1/4-20
31	150696	Bolt, Pivot

**NOTE:** All component dimensions given in U.S. inches.  
1 inch = 25.4 mm

# REPAIR PARTS

## TILLER - - MODEL NUMBER 917.296120

### MAINFRAME, LEFT SIDE



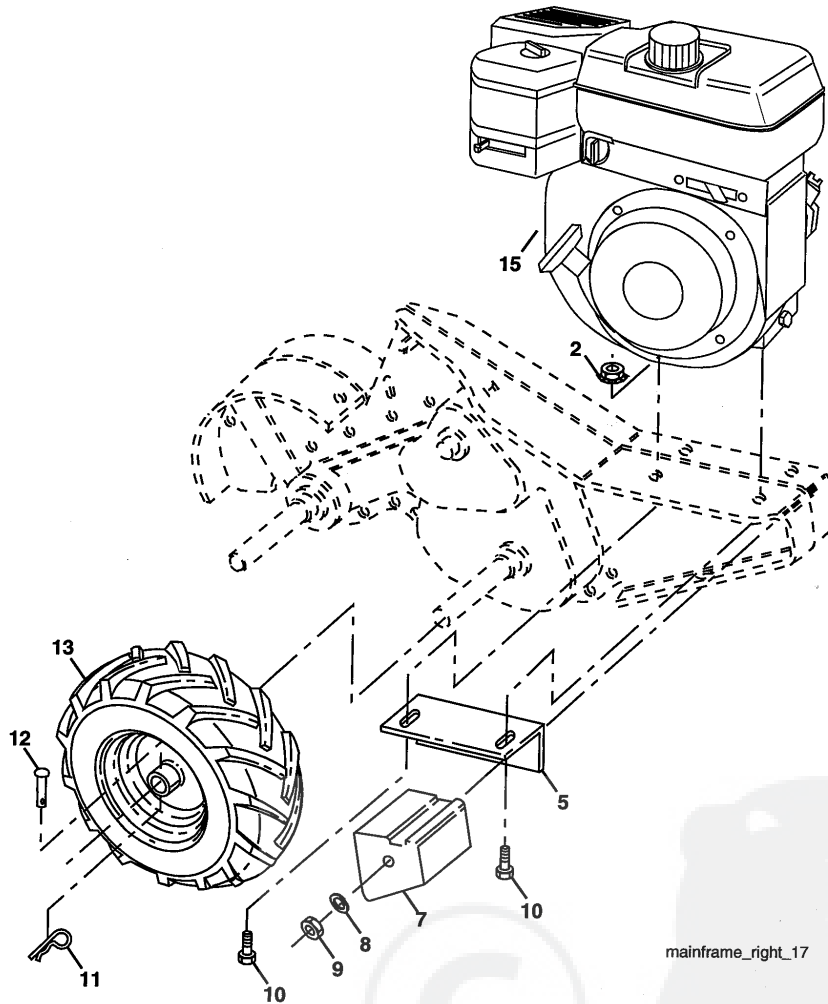
KEY NO.	PART NO.	DESCRIPTION	KEY NO.	PART NO.	DESCRIPTION
2	STD551137	Washer, Lock 3/8	25	4497H	Retainer, Spring
3	STD541037	Nut, Hex 3/8-16	26	165501X615	Guard, Belt
4	170127	Shield, Inner Belt Guard	27	132801	Belt, V
5	164329	Pin Spiral Flared	28	104679X	Pulley, Idler
6	110111X	Lever, Shift	29	12000032	Ring, Klip
7	STD532505	Bolt, Carriage 1/4-20 x 1/2 Gr. 5	30	159229	Bracket, Idler
8	8700J	Plate, Shift Indicator	31	102384X	Bolt, Hex 5/16-16 x 12
9	86777	Screw, Hex, Washer Head, Slotted #10-24 x 1/2	32	102141X	Shaft, Idler Arm
10	9484R	Clip	33	STD523710	Bolt, Hex 3/8-16 x 1
12	73510400	Nut, Keps Hex 1/4-20 unc	34	102383X	Counterweight, L.H.
13	23230506	Screw, Set, 5/16-18 x 3/8	35	74760524	Bolt, Hex 5/16-18 x 1-1/2
14	156117	Spacer, Split .327 x .42 x 1.220	36	102331X	Bracket, Reinforcement, L.H.
15	STD551031	Washer 11/32 x 11/16 x 16 Ga.	37	130812	Sheave, Engine
16	145102	Sheave, Transmission	38	74760544	Bolt, Fin Hex 5/16-18 x 2-3/4
19	12000028	Ring, Retainer	39	140062	Cap, Plunger
21	110652X	Spacer, Split .327 x .42 x 2.09	40	170488	Screw Hex Wsh. Hd #10-32 x 9/16
22	74770508	Bolt, Fin Hex 5/16-24 x 1/2	44	STD541431	Nut, Lock 5/16-18
23	102190X	Tire	65	73970500	Nut, Lock Hex Flange
	183122X624	Rim	66	19131312	Washer
	795R	Tire Valve			
24	126875X	Rivet, Drilled			

**NOTE:** All component dimensions given in U.S. inches.  
1 inch = 25.4 mm

# REPAIR PARTS

TILLER -- MODEL NUMBER 917.296120

MAINFRAME, RIGHT SIDE



mainframe\_right\_17

KEY NO.	PART NO.	DESCRIPTION
2	73970500	Locknut, Hex, Flange 5/16-18
5	102332X	Bracket, Reinforcement
7	102173X	Counter Weight, R.H.
8	STD551137	Washer, Lock 3/8
9	STD541037	Nut, Hex 3/8-16
10	74760524	Bolt, Hex 5/16-18 x 1-1/2
11	4497H	Retainer, Spring
12	126875X	Rivet, Drilled

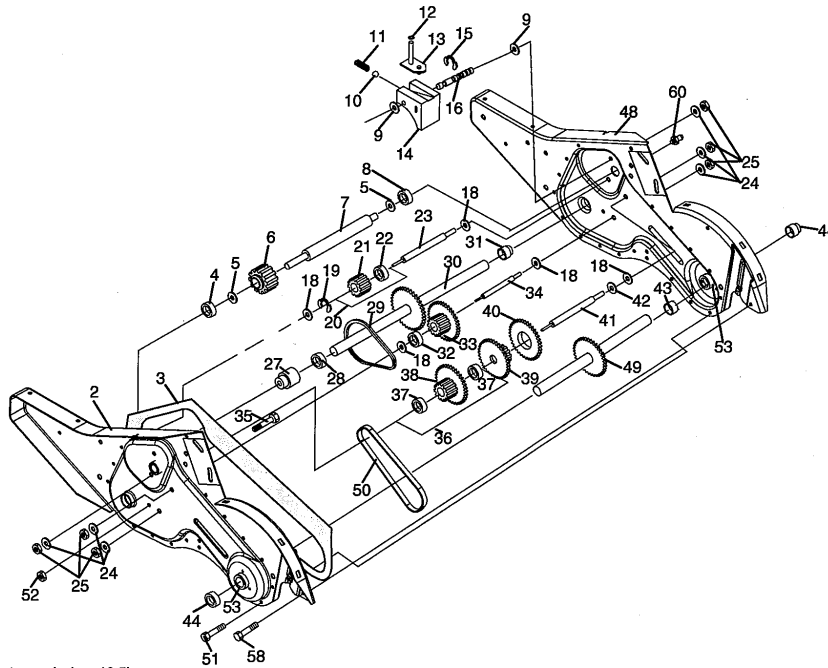
KEY NO.	PART NO.	DESCRIPTION
13	102190X	Tire
	183122X624	Rim
	795R	Tire Valve
15	-----	Engine, Briggs Model No. 120302-0433-B1

**NOTE:** All component dimensions given in U.S.inches.  
1 inch = 25.4 mm

# REPAIR PARTS

## TILLER -- MODEL NUMBER 917.296120

### TRANSMISSION



transmission\_19.5b

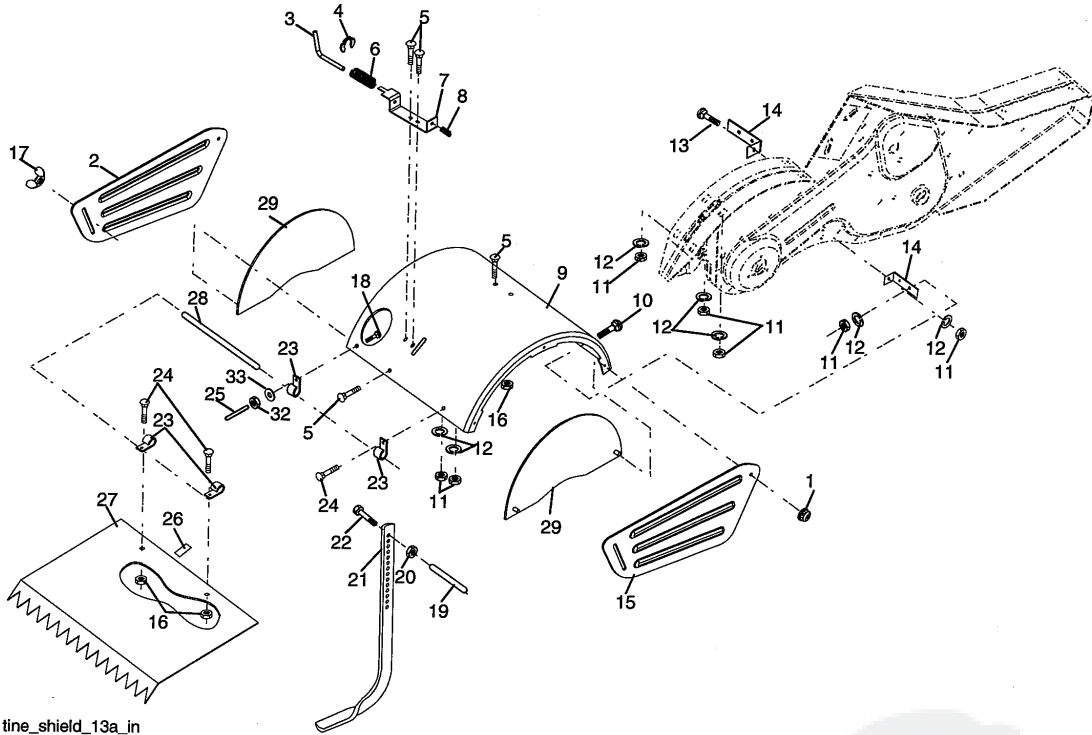
KEY NO.	PART NO.	DESCRIPTION	KEY NO.	PART NO.	DESCRIPTION
1	188554	Transmission Assembly (Includes Key Nos. 2-52)	29	102134X	Chain #35-50 Pitch
2	188482	Gearcase, L.H. w/Bearing (Includes Key No. 4)	30	150737	Ground Shaft Assembly
3	161963	Gasket, Gearcase	31	143008	Bearing, Shaft, Ground Drive R.H.
4	5020J	Bearing, Needle	32	106388X	Spacer 0.70 x 1.00 x 1.150
5	1370H	Washer, Thrust 5/8 x 1.10 x 1/32	33	102121X	Sprocket and Gear Assembly
6	137335	Pinion, Input	34	102112X	Shaft, Reduction (2nd)
7	145101	Shaft, Input	35	102101X	Screw, Whiz, Lock 5/16-18 x 3-1/2
8	4895H	Bearing, Needle	36	154355	Sprocket Assembly w/Bearing (Includes Key Nos. 37 and 38)
9	154467	Washer, Seal	37	4422J	Bearing, Needle
10	7392M	Ball, Steel	38	154356	Sprocket, Tine
11	100371K	Spring, Shift, Fork	39	105345X	Gear, Cluster, Red 1st & 2nd
12	106160X	O-Ring	40	105346X	Gear, Reverse
13	142145	Arm, Shift	41	8358J	Shaft, Reduction (1st)
14	8353J	Fork, Shift	42	4220R	Washer, Thrust
15	12000039	Ring, Klip	43	106146X	Spacer 1.01 x 1.75 x 0.760
16	154466	Shaft, Shift	44	155236	Seal Asm. Oil
17	4358J	Washer	48	188485	Gearcase, R.H. w/Bearing (Includes Key No. 8)
18	12000040	Ring, Klip	49	132688	Shaft, Tine
19	102114X	Gear, Assembly, Reverse Idler (Includes Key Nos. 21 and 22)	50	106147X	Chain, Roller #50-50 Pitch
20	102115X	Gear, Reverse Idler	51	17720408	Screw 1/4-20 x 1/2
21	6803J	Bearing, Needle	52	STD541031	Nut, Hex 5/16-18
22	102111X	Shaft, Reverse Idler	53	165140	Bearing Kit, Tine Shaft
23	102111X	Shaft, Reverse Idler	58	179520	Shoulder Bolt
24	STD551143	Washer, Lock 7/16	60	183226	Fitting Grease
25	STD541143	Nut, Hex 7/16-20	--	6066J	Grease, Plastilube #1
26	143009	Bearing, Shaft, Ground Drive L.H.			
27	106390X	Spacer 0.765 x 1.125 x 1.23			
28	106390X	Spacer 0.765 x 1.125 x 1.23			

**NOTE:** All component dimensions given in U.S. inches.  
1 inch = 25.4 mm

# REPAIR PARTS

## TILLER - - MODEL NUMBER 917.296120

### TINE SHIELD



KEY NO.	PART NO.	DESCRIPTION
1	73900500	Nut, Lock Hex Fig 5/16-18 unc
2	161415X615	Shield, Side, Outer L. H.
3	8393J	Pin, Stake, Depth
4	12000035	Ring, Clip
5	180847	Bolt Rdhd Sqnk 5/16-18 x 3/4 Znc
6	8394J	Spring
7	8392J	Bracket, Latch
8	109230X	Spring, Dcpth Stake
9	102326X615	Shield, Tine
10	STD533110	Bolt, Carriage 5/16-18 x 1 Gr. 5
11	STD541031	Nut, Hex 5/16-18
12	STD551131	Washer, Lock 5/16
13	STD533112	Bolt, Carriage 5/16-18 x 1-1/4
14	124343X	Bracket, Shield Tine
15	161414X615	Shield, Side, Outer R.H.
16	73900400	Nut, Flange lock 1/4-20
17	162175	Nut, Wing Forged 5/16-18

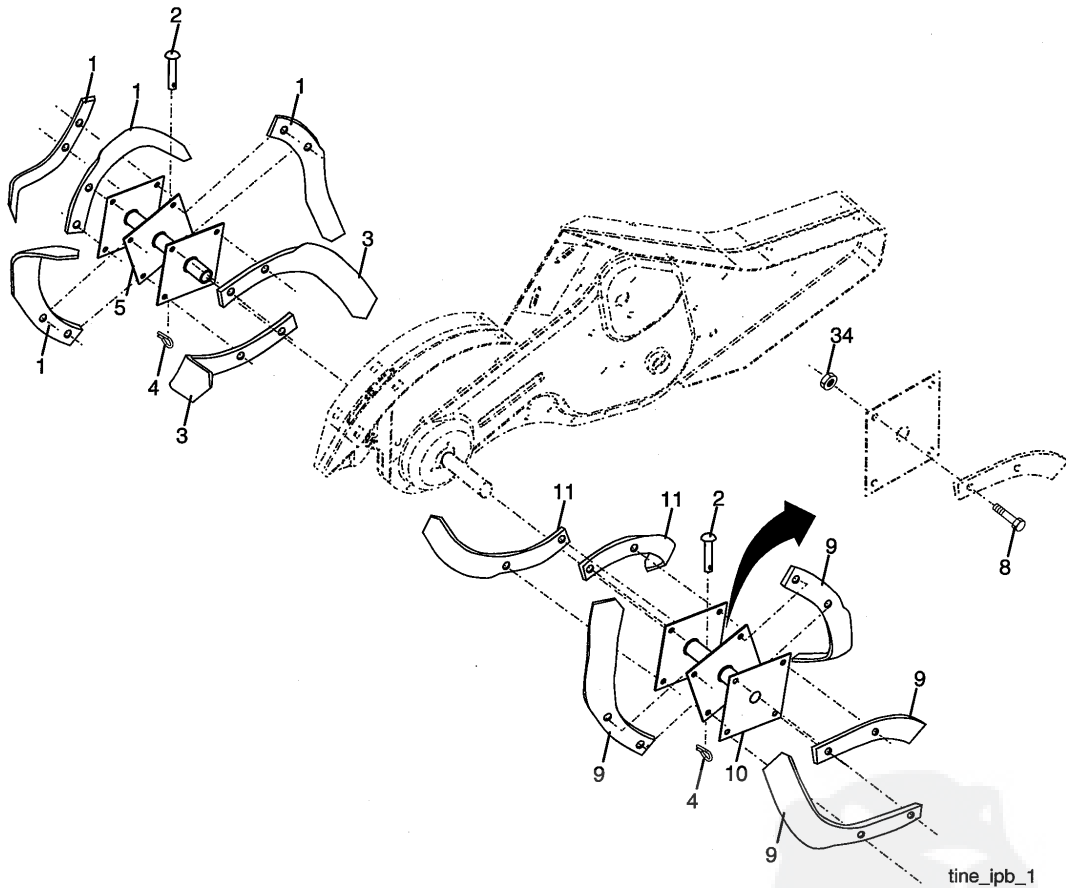
KEY NO.	PART NO.	DESCRIPTION
18	STD532512	Bolt, Carr. 1/4-20 x 1-1/4 Gr. 5
19	102701X	Grip
20	STD541037	Nut, Hex 3/8-16
21	102156X	Stake, Depth
22	74930632	Bolt, Hex 3/8-16 x 2
23	4440J	Hinge
24	STD532505	Bolt, Carriage 1/4-20 x 1/2
25	6712.J	Cap, Vinyl
26	109227X	Pad, Idler
27	102695X615	Shield, Leveling
28	120588X	Pin, Hinge
29	197761X615	Shield, Side
32	73220400	Nut, Fin, Hex 1/4-20 unc
33	STD551125	Washer Lock Hvy Helical 1/4

**NOTE:** All component dimensions given in U.S. inches.  
1 inch = 25.4 mm

# REPAIR PARTS

## TILLER -- MODEL NUMBER 917.296120

### TINE ASSEMBLY



KEY NO.	PART NO.	DESCRIPTION
1	4459J	Tine, Outer, L.H.
2	132673	Pin, Shear
3	6554J	Tine, Inner, L.H.
4	3146R	Clip, Hairpin
5	132727	Assembly, Hub and Plate, L.H.
8	74610616	Bolt, Hex 3/8-24 x 1
9	4460J	Tine, Outer, R.H.

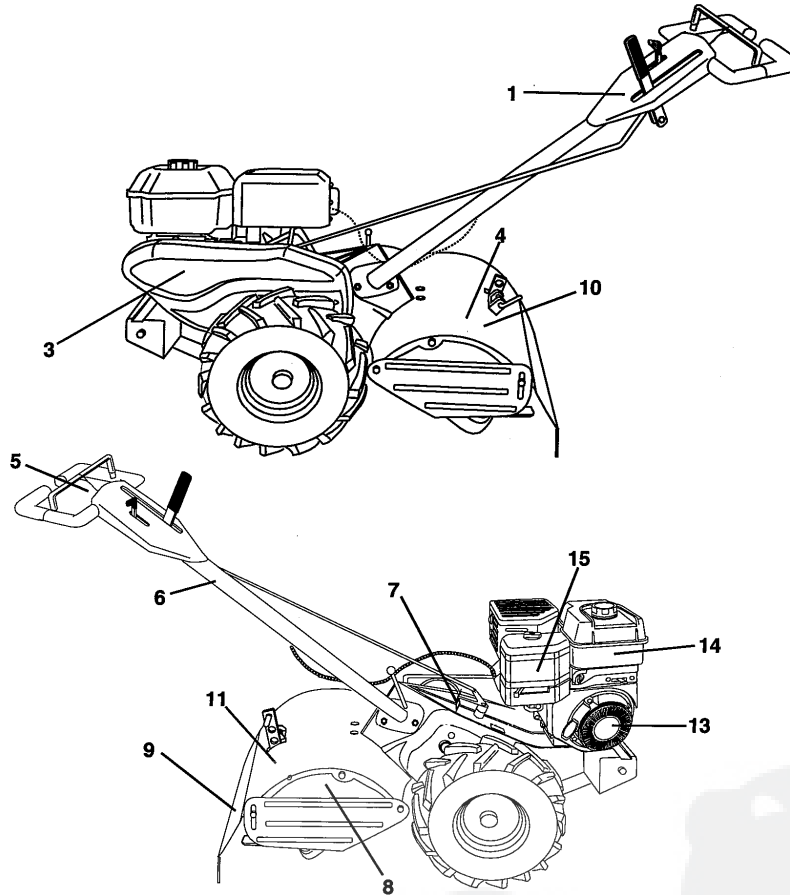
KEY NO.	PART NO.	DESCRIPTION
10	132728	Assembly, Hub and Plate, R.H.
11	6555J	Tine, Inner, R.H.
34	73540600	Nut Crownlock 3/8-24

**NOTE:** All component dimensions given in U.S. inches.  
1 inch = 25.4 mm

# REPAIR PARTS

## TILLER -- MODEL NUMBER 917.296120

### DECALS



KEY NO.	PART NO.	DESCRIPTION
1	197853	Decal, Service CNTRL PNL
3	404459	Decal, Bit Guard
4	145437	Decal, Description
5	196622	Decal, Drive Control
6	159877	Decal, Hand Placement
7	102180X	Decal, Shift Indicator
8	196655	Decal, Tine, Shield, Counter Rotating Tines
9	176557	Decal, Warning, Rotating Tines
10	196624	Decal, Tine Depth Stake
11	404458	Decal, Tine, Shield
13	171078	Decal, Rewind
14	167156	Decal, Intek
15	194802	Decal, HP
--	404507	Manual, Operator's (Euro)
--	404508	Manual, Operator's (Scand)
--	404509	Manual, Parts

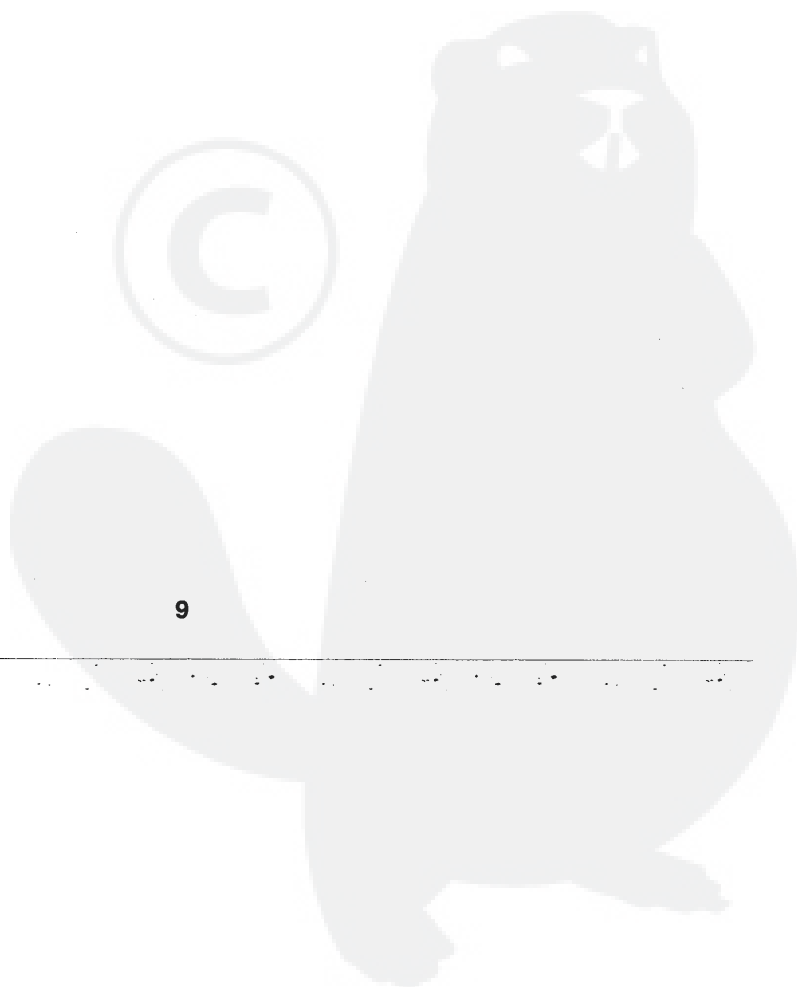
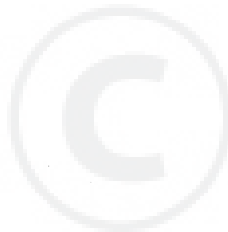


Copyright © 2014 by The McGraw-Hill Companies, Inc. All rights reserved. No part of this publication may be reproduced, stored in a retrieval system, or transmitted, in any form or by any means, electronic, mechanical, photocopying, recording, or by any information storage and retrieval system, without the prior written permission of The McGraw-Hill Companies, Inc.

---

## SERVICE NOTES

---

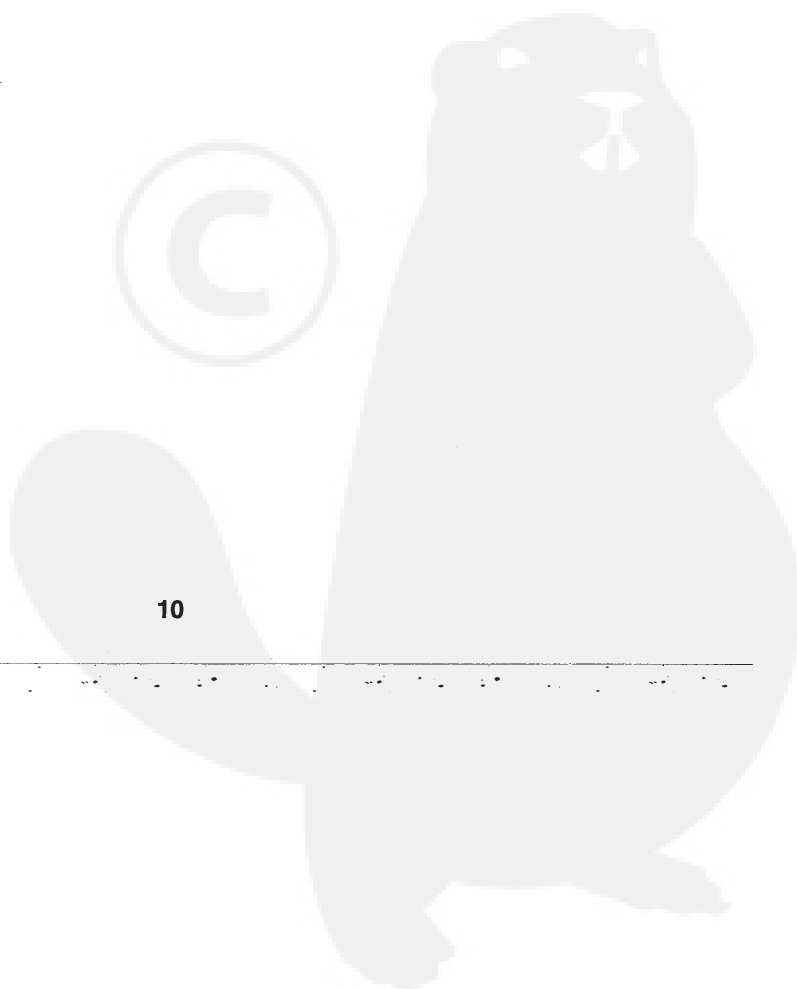


Copyright © 2014 by The McGraw-Hill Companies, Inc. All rights reserved. No part of this publication may be reproduced, stored in a retrieval system, or transmitted, in any form or by any means, electronic, mechanical, photocopying, recording, or by any information storage and retrieval system, without the prior written permission of The McGraw-Hill Companies, Inc.

---

## SERVICE NOTES

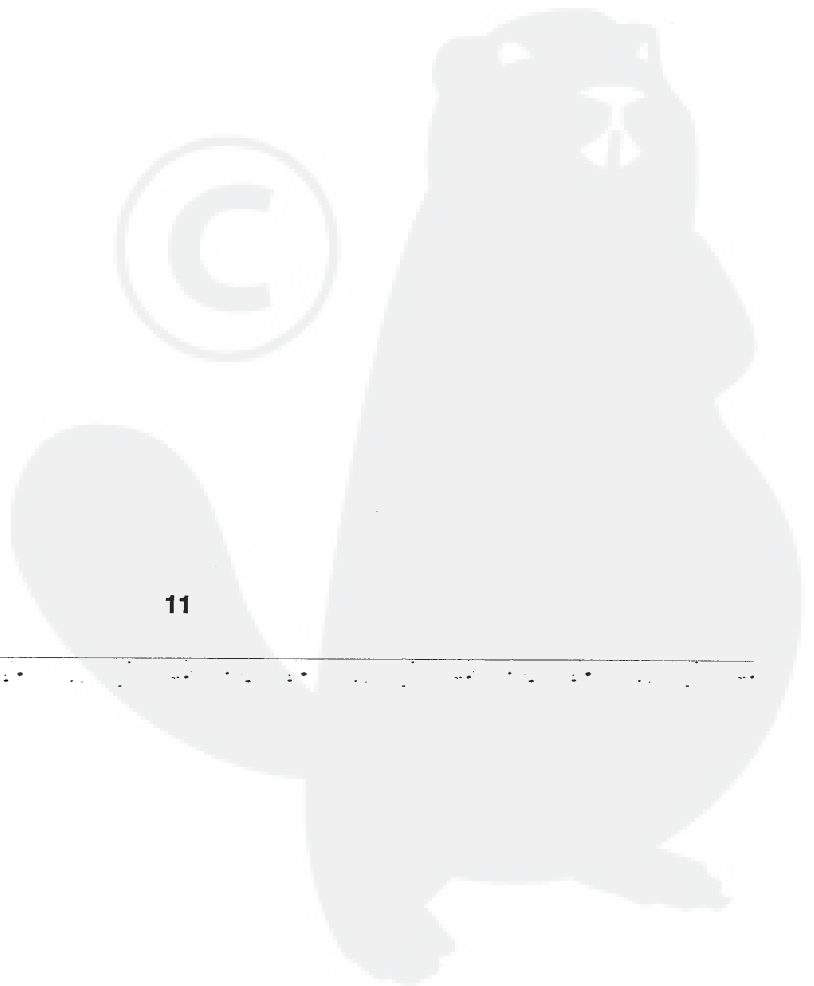
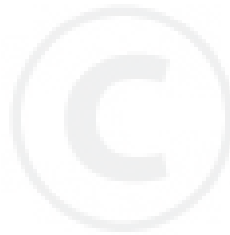
---



---

## SERVICE NOTES

---



### **LIMITED TWO YEAR WARRANTY ON CRAFTSMAN TILLER**

For two years from date of purchase, when this Craftsman Tiller is maintained, lubricated, and tuned up according to the operating and maintenance instructions in the owner's manual, Sears will repair free of charge any defect in material or workmanship.

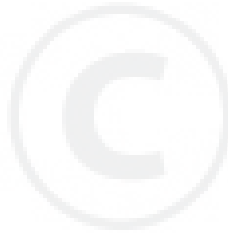
This Warranty does not cover:

- Expendable items which become worn during normal use, such as tines, spark plugs, air cleaners and belts.
- Repairs necessary because of operator abuse or negligence, including bent crankshafts and the failure to maintain the equipment according to the instructions contained in the owner's manual.
- If this Craftsman Tiller is used for commercial or rental purposes, this Warranty applies for only 30 days from the date of purchase.

WARRANTY SERVICE IS AVAILABLE BY RETURNING THE CRAFTSMAN TILLER TO THE NEAREST SEARS SERVICE CENTER/DEPARTMENT IN THE UNITED STATES. THIS WARRANTY APPLIES ONLY WHILE THIS PRODUCT IS IN USE IN THE UNITED STATES.

This Warranty gives you specific legal rights, and you may also have other rights which vary from state to state.

SEARS, ROEBUCK AND CO., D/817WA, HOFFMAN ESTATES, IL 60179



**CRAFTSMAN®**

