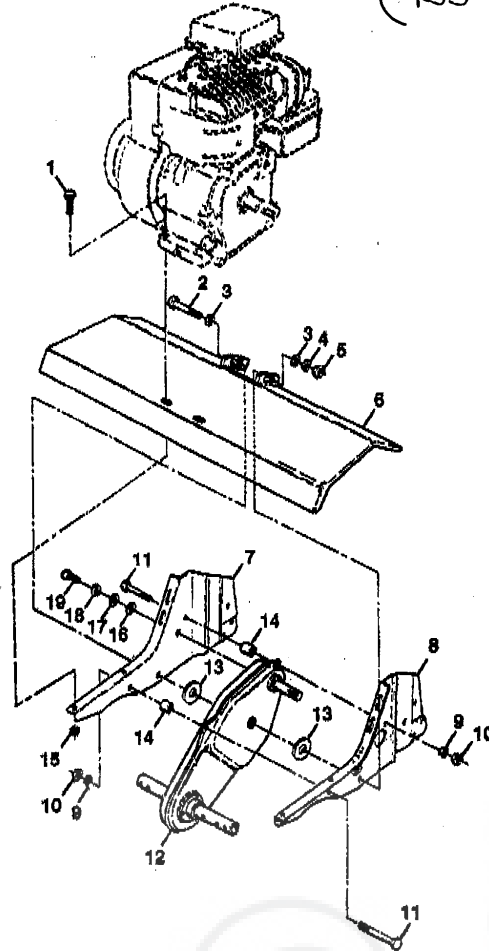


REPAIR PARTS

5 HP 26" TILLER - - MODEL NUMBER RD550C

(1992-92)

TRANSMISSION



KEY NO.	PART NO.	DESCRIPTION
1	74760524	Bolt, Hex 5/16-18 x 1-1/2 Gr. 2
2	74610652	* Bolt, Hex 3/8-24 x 3-1/4 Gr. 5
3	19131311	* Washer 13/32 x 13/16 x 11
4	10040600	* Washer, Lock 3/8
5	7810H	Nut, Lock 3/8-24
6	9057R419	Shield, Tine
7	1949J	Bracket, Engine, R.H.
8	110519X	Bracket, Engine, L.H.
9	10040500	* Washer, Lock 5/16
10	73220500	* Nut, Hex 5/16-18
11	74760544	Bolt, Hex 5/16-18 x 2-3/4
12	126669X	Transmission
13	19171616	Washer 17/32 x 1 x 16 Ga.

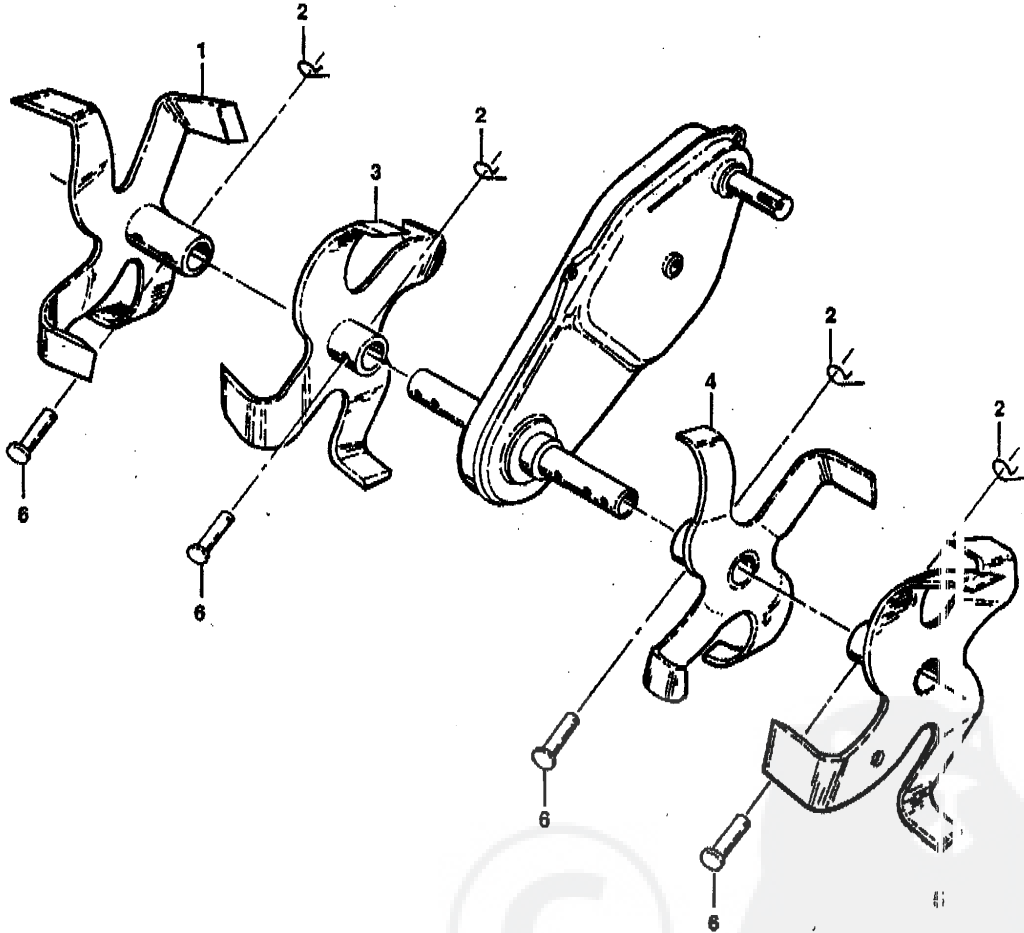
KEY NO.	PART NO.	DESCRIPTION
14	9173R	Spacer, Split
15	73510500	* Nut, Keys 5/16
16	19091412	Washer 9/32 x 7/8 x 12 Ga.
17	19092016	Washer 9/32 x 1-1/4 x 16 Ga.
18	10040400	* Lockwasher 1/4
19	74810412	Bolt, Hex 1/4-28 x 3/4 (lit 5
--	110612X	Decal, Caution (Engine, Top)
--	127185X	Decal, Tine Shield (Tine Shield)
--	120076X	Decal, Warning (Tine Shield)
--	121543X	Decal, Engine, B & S (Engine)

*STANDARD HARDWARE — PURCHASE LOCALLY
 NOTE: All component dimensions given in U. S. Inches.
 1 Inch = 25.4 mm

REPAIR PARTS

5 HP 26" TILLER - - MODEL NUMBER RD550C

TINE ASSEMBLY



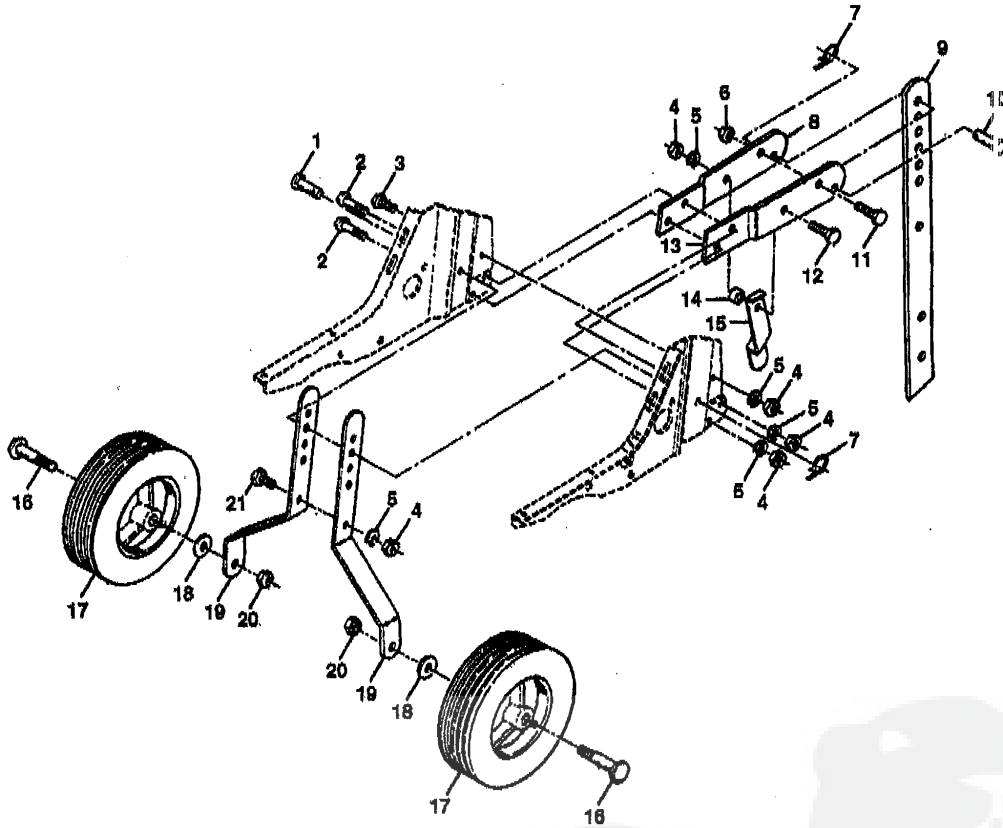
KEY NO.	PART NO.	DESCRIPTION
1	100746M	Tine, Outer, R.H.
2	3146R	Clip, Hairpin
3	674A43	Tine, Inner, R.H.

KEY NO.	PART NO.	DESCRIPTION
4	674A42	Tine, Inner, L.H.
5	100744M	Tine, Outer, L.H.
6	4929H	Pin, Clevis

REPAIR PARTS

5 HP 26" TILLER -- MODEL NUMBER RD550C

WHEEL AND DEPTH STAKE ASSEMBLY



KEY NO.	PART NO.	DESCRIPTION
1	9194R	Pin, Clevis
2	74760520	Bolt, Hex 5/16-18 x 1-1/4
3	74760512	* Bolt, Hex 5/16-18 x 3/4
4	73220500	* Nut, Hex 5/16-18
5	10040500	* Washer, Lock 5/16
6	7810H	* Locknut 3/8-24
7	4921H	Clip, Hairpin
8	1952J	Support, Depth Stake, R.H.
9	122293X	Stake, Depth
10	326J	Pin, Clevis
11	74610624	* Bolt, Hex 3/8-24 x 1-1/2 Gr. 5
12	74760524	Bolt, Hex 5/16-18 x 1-1/2 Gr. 2

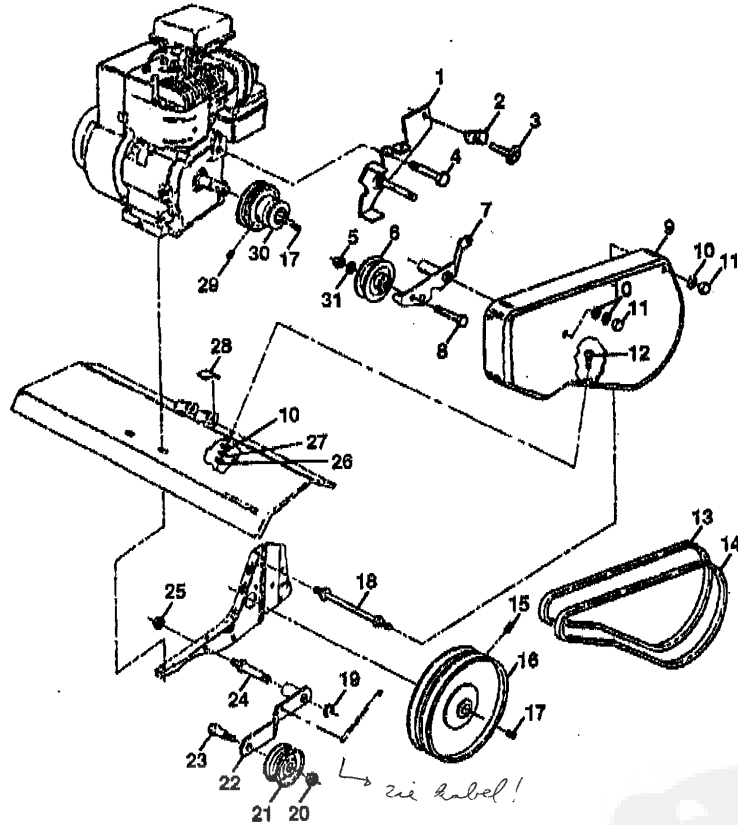
KEY NO.	PART NO.	DESCRIPTION
13	1951J	Support, Depth Stake, L. 1
14	120958X	Washer
15	5388J	Spring, Stake
16	121117X	Bolt, Shoulder
17	9188R	Wheel
18	19131311	* Washer 13/32 x 13/16 x 11 Ga.
19	9190R	Bracket, Wheel
20	73680600	* Locknut, Crown 3/8-16
21	74760516	Bolt, Hex 5/16-18 x 1

*STANDARD HARDWARE — PURCHASE LOCALLY
 NOTE: All component dimensions given in U.S. inches.
 1 inch = 25.4 mm

REPAIR PARTS

5 HP 26" TILLER -- MODEL NUMBER RD550C

BELT GUARD AND PULLEY ASSEMBLY



KEY NO.	PART NO.	DESCRIPTION
1	123643X	Assembly, Bracket, Belt Guard
2	9484R	Clip, Cable
3	86777	Screw, Hex, Washer Hd., Slotted, Thd. Cutting #10-24 x 1/2 Type D
4	74770812	Bolt, Hex 1/2-20 x 3/4
5	73220600	* Nut, Hex 3/8-16
6	2009J	Pulley, Idler, Reverse
7	127180X	Assembly, Arm, Reverse Idler
8	74760624	* Bolt, Hex 3/8-16 x 1-1/2
9	106970X419	Guard, Belt
10	19091016	* Washer 9/32 x 5/8 x 16 Ga.
11	104213X	Nut, Cap 1/4-20
12	72140405	Bolt, Carriage 1/4-20 x 5/8
13	133035	V-Belt (Forward Motion)
14	2614J	V-Belt (Reverse)
15	23230506	* Screw, Set, Socket, Headless C.P. 5/16-18 x 3/8
16	2807J	Sheave, Transmission
17	2649M	Key, Square

KEY NO.	PART NO.	DESCRIPTION
18	110550X	Bolt, Belt Guard
19	12000036	Ring, Clip
20	73350800	* Nut, Hex, Jam 3/8-16
21	9178R	Pulley, Idler
22	674A30	Arm, Idler
23	74760620	* Bolt, Hex 3/8-16 x 1-1/4
24	106968X	Shaft, Idler Arm
25	73350500	Nut, Hex, Jam 5/16-11
26	73220400	* Nut, Hex 1/4-20
27	10040400	* Washer, Lock 1/4
28	109227X	Pad, Idler
29	23200404	* Screw, Set, Socket, Headless C.P. 1/4-20 x 1/4
30	101189L	Sheave, Engine
31	19131316	Washer 13/32 x 13/16 x 16 Ga.
--	128212	Decal, Belt Guard (Fast Guard)

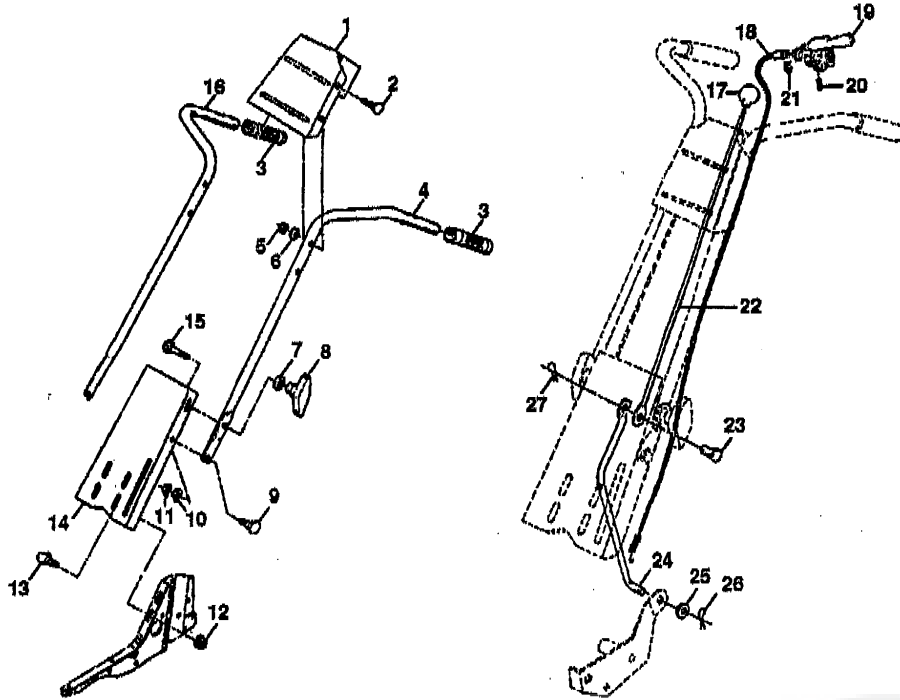
*STANDARD HARDWARE—PURCHASE LOCALLY

NOTE: All component dimensions given in U.S. inches
1 inch = 25.4 mm

REPAIR PARTS

5 HP 26" TILLER -- MODEL NUMBER RD550C

HANDLE ASSEMBLY



KEY NO.	PART NO.	DESCRIPTION
1	131268X419	Bracket, Handle
2	72140512	* Bolt, Carriage 5/16-18 UNC x 1-1/2
3	9266R	Grip, Handle
4	2623J	Handle, L.H.
5	73680500	* Locknut, Crown 5/16-18
6	19111116	* Washer 11/32 x 11/16 x 16 Ga.
7	19121414	* Washer 3/8 x 7/8 x 14 Ga.
8	63688	Knob, Handle
9	471J	Bolt, Shoulder 5/16-18 x 3/4
10	10040500	* Washer, Lock 5/16
11	73220500	* Nut, Hex 5/16-18
12	98000129	* Nut, Flanged 5/16-18
13	72140506	* Bolt, Carriage 5/16-18 x 3/4 Gr. 5
14	674A150419	Panel, Handle
15	72110510	* Bolt, Carriage 5/16-18 x 1-1/4 Gr. 5
16	2624J	Handle, R.H.
17	106932X	Knob, Control, Reverse
18	3086J	Cable, Control, Tine
19	2635J	Lever, Control, Tine

KEY NO.	PART NO.	DESCRIPTION
20	23200405	* Screw, Set, Socket, Forged Headless 1/4-20 x 5/16
21	12000027	* Ring, Klip
22	101248K	Rod, Reverse, Upper
23	1778E	Pin, Retaining
24	2613J	Rod, Reverse, Lower
25	19131316	* Washer 13/32 x 13/16 x 16 Ga.
26	76020412	* Pin, Cotter 1/8 x 3/4
27	76020308	* Pin, Cotter 3/32 x 1/2
--	121753X	Decal, Reverse (Handle Bracket)
--	110814X	Decal, Hand Placement (Hard die, RH)
--	132629	Decal (Handle Bracket)
--	132234	Manual, Owner's (English)
--	132235	Manual, Owner's (French)

*STANDARD HARDWARE— PURCHASE LOCALLY
 NOTE: All component dimensions are given in U.S. inches.
 1 inch = 25.4 mm