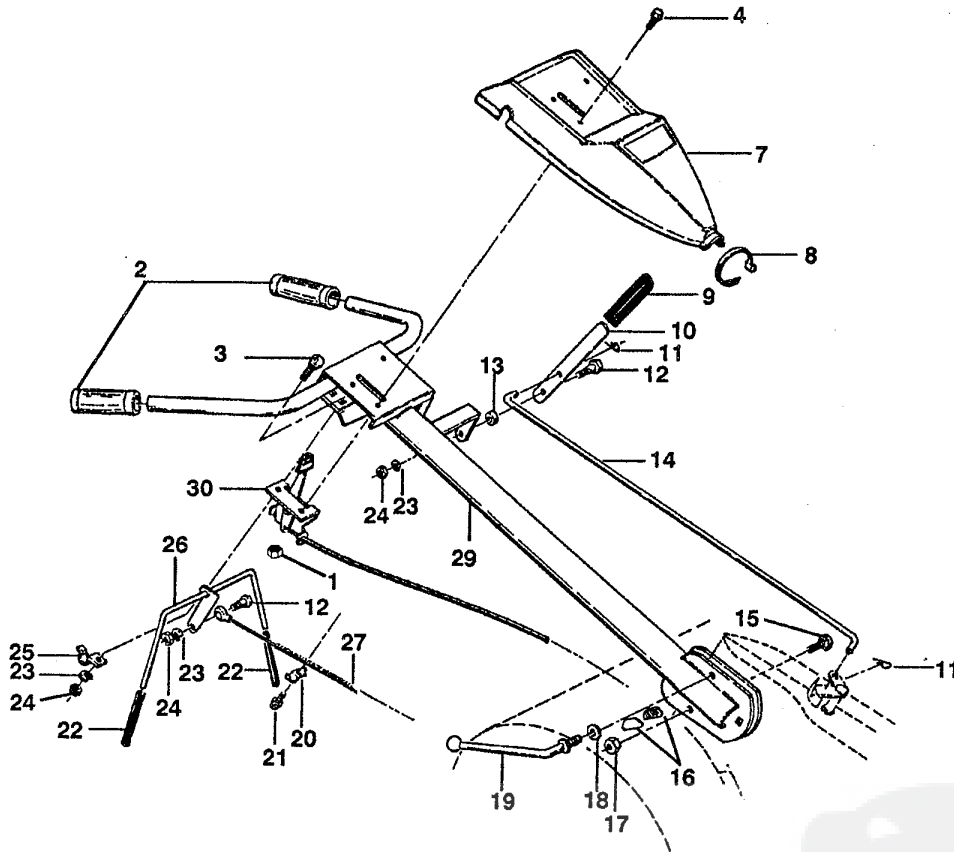


REPAIR PARTS

5 HP 17" CRT TILLER -- MODEL NUMBER YRT5B

HANDLE ASSEMBLY



KEY NO.	PART NO.	DESCRIPTION
1	73731000	Nut, Keps #10-24 UNC
2	9266R	Grip, Handle
3	72140404	Bolt, Carriage 1/4-20
4	71091008	Screw, Truss Hd. #10-24 UNC x 1/2
7	126951X	Panel, Control
8	104164X	Tie, Cable
9	8206H	Grip, Handle
10	109335X	Handle, Shift
11	4497H	Clip, Hairpin
12	81328	Bolt, Shoulder
13	109313X	Grommet, Rubber
14	109337X	Rod, Shift
15	72110608	Bolt, Carriage 3/8-16 x 1 Gr. 5
16	109229X	Lock, Handle
17	5394H	Nut 3/8-16
18	19131611	Washer 13/32 x 1 x 11 Ga.

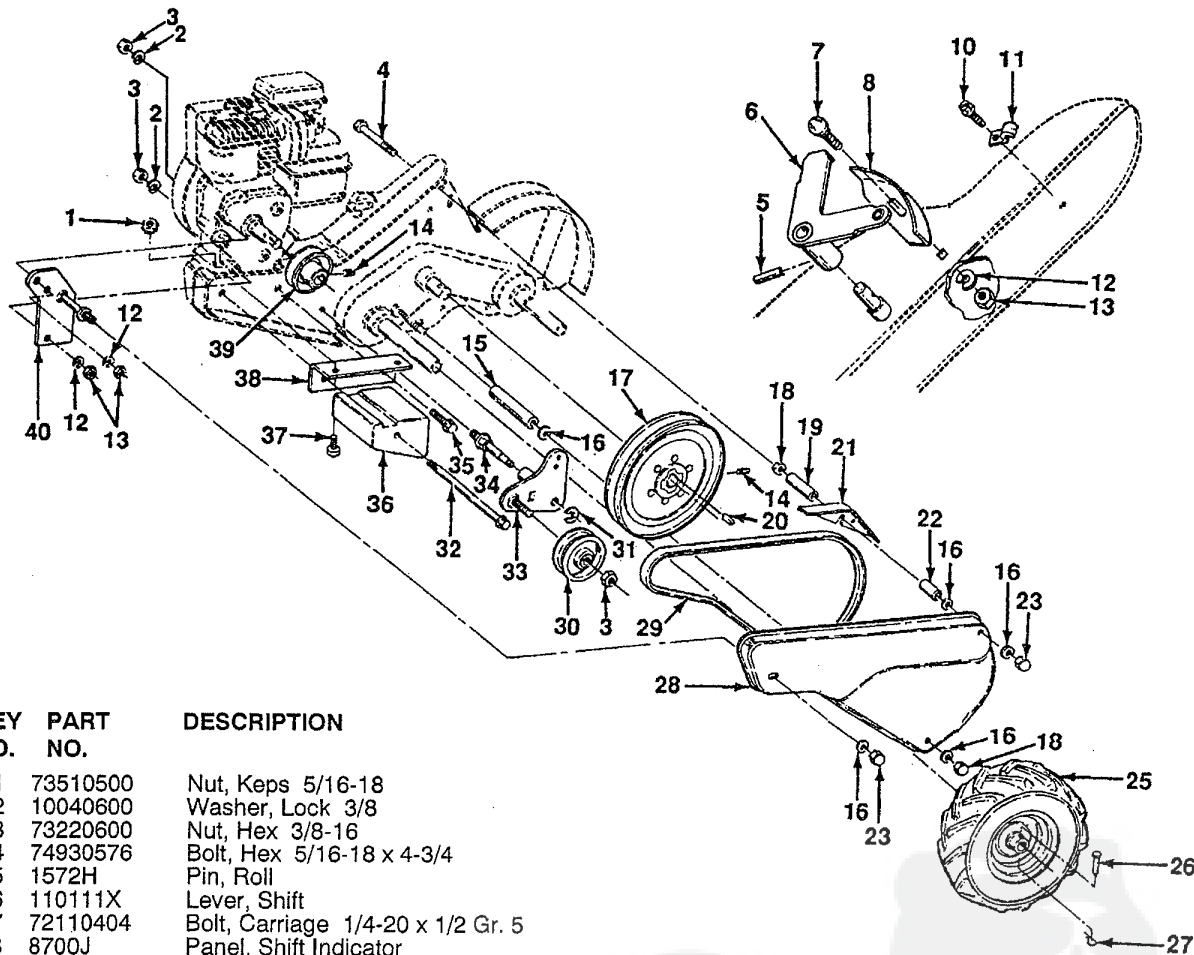
KEY NO.	PART NO.	DESCRIPTION
19	109228X	Lever, Lock, Handle
20	9484R	Clip
21	86777	Screw, Hex Washer Hd. Slotted # 10-24 x 1/2
22	102604X	Grip, Bar, Control
23	10040400	Washer, Lock 1/4
24	73220400	Nut, Hex 1/4-20
25	102744X	Clamp, Bar, Control
26	105216X	Bar Assembly, Control
27	102162X	Cable, Clutch
29	127013X423	Handle
30	127012X	Control, Throttle
--	127485X	Manual, Owner's (English)
--	127486X	Manual, Owner's (French)
--	104322X	Decal, Instruction (Control Panel)
--	124172X	Decal (Control Panel)
--	110614X	Decal, Hand Placement

NOTE: All component dimensions given in U.S. inches.
1 inch = 25.4 mm

REPAIR PARTS

5 HP 17" CRT TILLER -- MODEL NUMBER YERT5B

MAINFRAME, LEFT SIDE



KEY NO.	PART NO.	DESCRIPTION
1	73510500	Nut, Keps 5/16-18
2	10040600	Washer, Lock 3/8
3	73220600	Nut, Hex 3/8-16
4	74930576	Bolt, Hex 5/16-18 x 4-3/4
5	1572H	Pin, Roll
6	110111X	Lever, Shift
7	72110404	Bolt, Carriage 1/4-20 x 1/2 Gr. 5
8	8700J	Panel, Shift Indicator
10	86777	Screw, Hex, Washer Head, Slotted #10-24 x 1/2
11	9484R	Clip
12	10040400	Washer, Lock 1/4
13	73220400	Nut, Hex 1/4-20
14	23230506	Screw, Set Hex 5/16-18 x 3/8
15	120938X	Spacer, Split 0.327 x 0.42 x 2.68
16	19111116	Washer 11/32 x 11/16 x 16 Ga.
17	100473M	Sheave, Transmission
18	73220500	Nut, Hex 5/16-18
19	110651X	Spacer, Split 0.327 x 0.42 x 1.75
20	2649M	Key, Square 3/16 x 1-1/8
21	110653X	Guard, Pinch Point
22	110652X	Spacer, Split 0.327 x 0.42 x 2.09
23	104214X	Nut, Cap 5/16-18
25	102190X	Tire
	109208X	Rim
	795R	Tire Valve
26	126875X	Rivet, Drilled
27	4497H	Clip, Hairpin

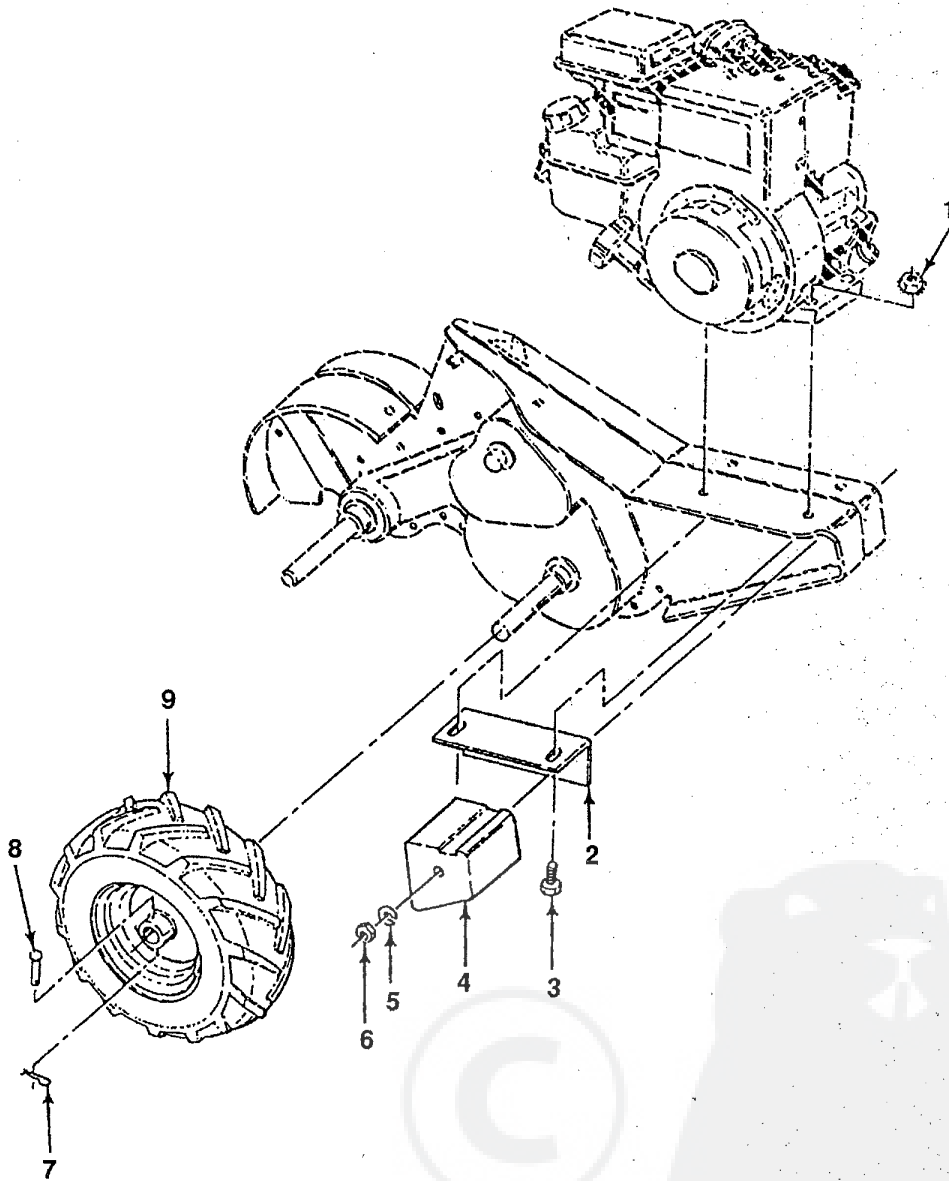
KEY NO.	PART NO.	DESCRIPTION
28	102148X423	Guard, Belt
29	102143X	Belt, V
30	104679X	Pulley, Idler
31	12000032	Ring, Klip
32	102384X	Bolt, Hex 5/16-16 x 12
33	105611X	Bracket, Idler
34	102141X	Shaft, Idler Arm
35	74760616	Bolt, Hex 3/8-16 x 1
36	102383X	Counterweight, L. H.
37	74760524	Bolt, Hex 5/16-18 x 1-1/2
38	102331X	Bracket, Reinforcement, L. H.
39	102142X	Sheave, Engine
40	102376X	Bracket, Guard Belt
--	104323X	Decal, Shift Indicator
--	124173X	Decal, Belt Guard

NOTE: All component dimensions given in U.S. inches.
1 inch = 25,4 mm

REPAIR PARTS

5 HP 17" CRT TILLER - - MODEL NUMBER YERT5B

MAINFRAME, RIGHT SIDE



KEY PART NO.	NO.	DESCRIPTION
1	73510500	Nut, Keps 5/16-18
2	102332X	Bracket, Reinforcement
3	74760524	Bolt, Hex 5/16-18 x 1-1/2
4	102173X	Counter Weight, R.H.
5	10040600	Washer, Lock 3/8
6	73220600	Nut, Hex 3/8-16
7	4497H	Clip, Hairpin

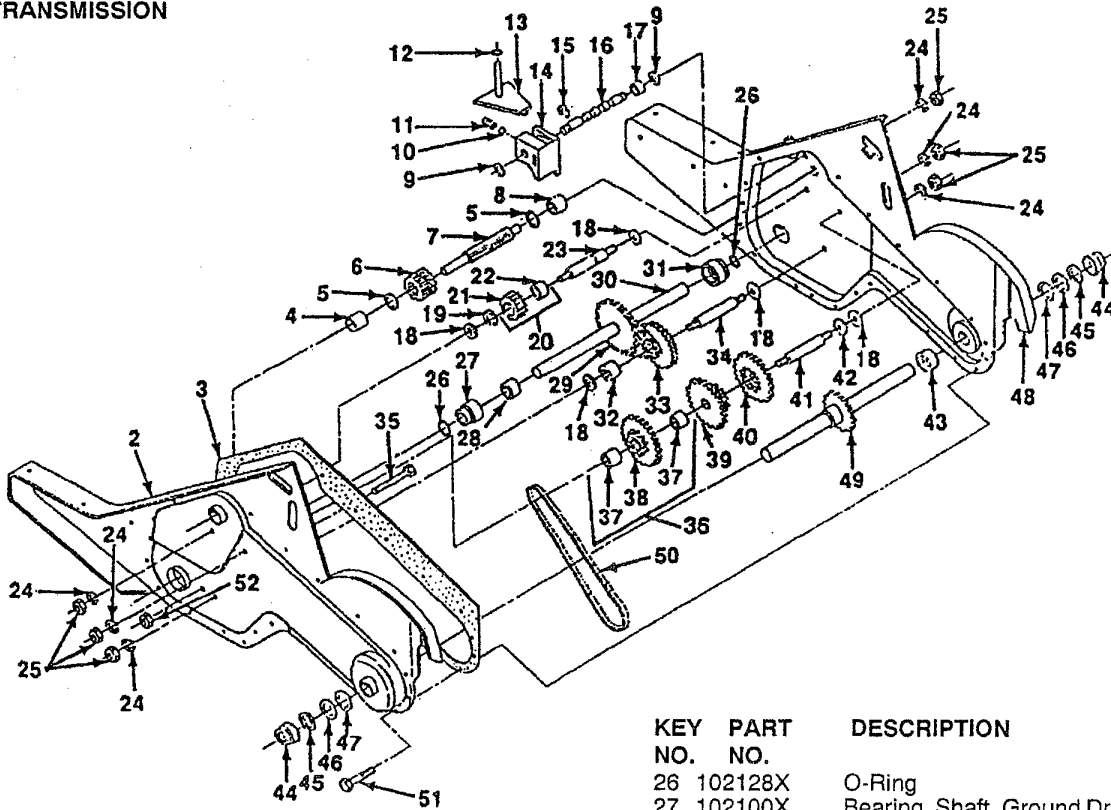
KEY PART NO.	NO.	DESCRIPTION
8	126875X	Rivet, Drilled
9	102190X	Tire
	109208X	Rim
	795R	Tire Valve
--	110719X	Decal, Operation & Lubrication
--	121543X	Decal, Engine
--	110612X	Decal, Caution (Engine)

NOTE: All component dimensions given in U.S. inches.
1 inch. = 25,4 mm

REPAIR PARTS

5 HP 17" CRT TILLER -- MODEL NUMBER YERT5B

TRANSMISSION



KEY PART NO.	NO.	DESCRIPTION
1	121146X	Transmission Assembly (Includes Key Nos. 2-52)
2	121147X	Gearcase, L.H. w/Bearing (Includes Key No. 4)
3	106211X	Gasket, Gearcase
4	5020J	Bearing, Needle
5	1370H	Washer, Thrust 5/8 x 1.10 x 1/32
6	102113X	Pinion, Input
7	102110X	Shaft, Input
8	4895H	Bearing, Needle
9	102136X	Washer, Seal
10	7392M	Ball, Steel
11	100371K	Spring, Shift, Fork
12	106160X	O-Ring
13	102107X	Arm., Shift
14	8353J	Fork, Shift
15	12000039	Ring, Klip
16	102109X	Shaft, Shift
17	104159X	Spacer, Split
18	4358J	Washer
19	12000040	Ring, Klip
20	102114X	Gear, Assembly, Reverse Idler (Includes Key Nos. 21 and 22)
21	102115X	Gear, Reverse Idler
22	6803J	Bearing, Needle
23	102111X	Shaft, Reverse Idler
24	10040700	Washer, Lock 7/16
25	73610700	Nut, Hex 7/16-20

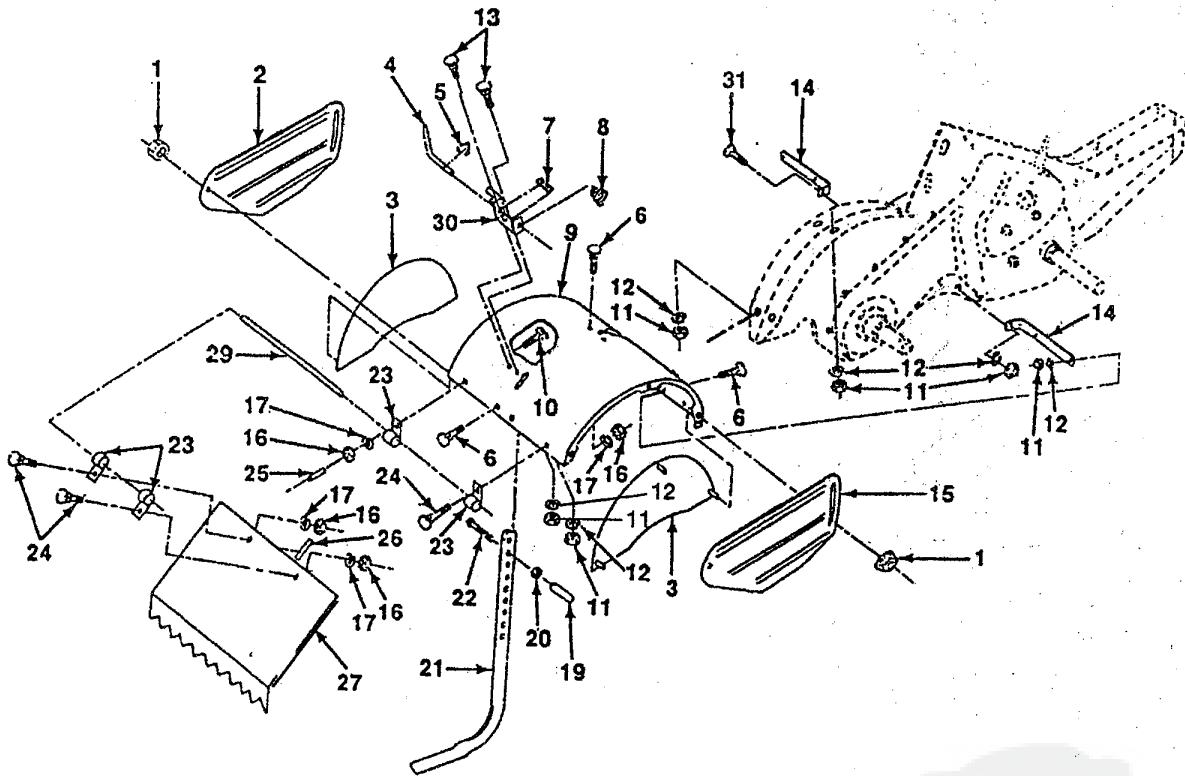
KEY PART NO.	NO.	DESCRIPTION
26	102128X	O-Ring
27	102100X	Bearing, Shaft, Ground Drive
28	106390X	Spacer 0.765 x 1.125 x 1.23
29	102134X	Chain #35-50 Pitch
30	109204X	Ground Shaft Assembly
31	102106X	Bearing, Shaft, Ground Drive
32	106388X	Spacer 0.70 x 1.00 x 1.150
33	102121X	Sprocket and Gear Assembly
34	102112X	Shaft, Reduction (2nd)
35	102101X	Screw, Whiz, Lock 5/16-18 x 3-1/2
36	106141X	Sprocket Assembly w/Bearing (Includes Key Nos. 37 and 38)
37	4422J	Bearing, Needle
38	106142X	Sprocket, Tine
39	105345X	Gear, Cluster, Red 1st & 2nd
40	105346X	Gear, Reverse
41	8358J	Shaft, Reduction (1st)
42	4220R	Washer, Thrust
43	106146X	Spacer 1.01 x 1.75 x 0.760
44	9672R	Cup, Formed
45	102144X	Ring, Spiral
46	9676R	Seal, Ring, Rubber
47	9674R	Seal, Oil
48	121745X	Gearcase, R.H. w/Bearing (Includes Key No. 8)
49	106144X	Shaft, Tine
50	106147X	Chain, Roller #50-50 Pitch
51	17580408	Screw 1/4-20 x 1/2
52	73220500	Nut, Hex 5/16-18
--	6066J	Grease, Plastilube #1

NOTE: All component dimensions given in U.S. inches.
1 inch = 25,4 mm

REPAIR PARTS

5 HP 17" CRT TILLER -- MODEL NUMBER YERT5B

TINE SHIELD



KEY PART NO.	PART NO.	DESCRIPTION
1	98000129	Nut, Flange 5/16-18
2	104086X423	Shield, Side outer L. H.
3	104085X423	Shield, Side
4	8393J	Pin, Stake Depth
5	12000036	Ring, Klip
6	72140506	Bolt, Carriage 5/16-18 x 3/4 Gr 5
7	8394J	Spring
8	109230X	Spring, Depth Stake
9	102326X423	Shield, Tine
10	72040410	Bolt, Carriage 1/4-20 x 1-1/4 Gr. 5
11	73220500	Nut, Hex 5/16-18
12	10040500	Washer, Lock 5/16
13	72110508	Bolt, Carriage 5/16-18 x 1
14	124343X	Bracket, Shield Tine
15	104101X423	Shield, Side Outer R.H.
16	73220400	Nut, Hex 1/4-20

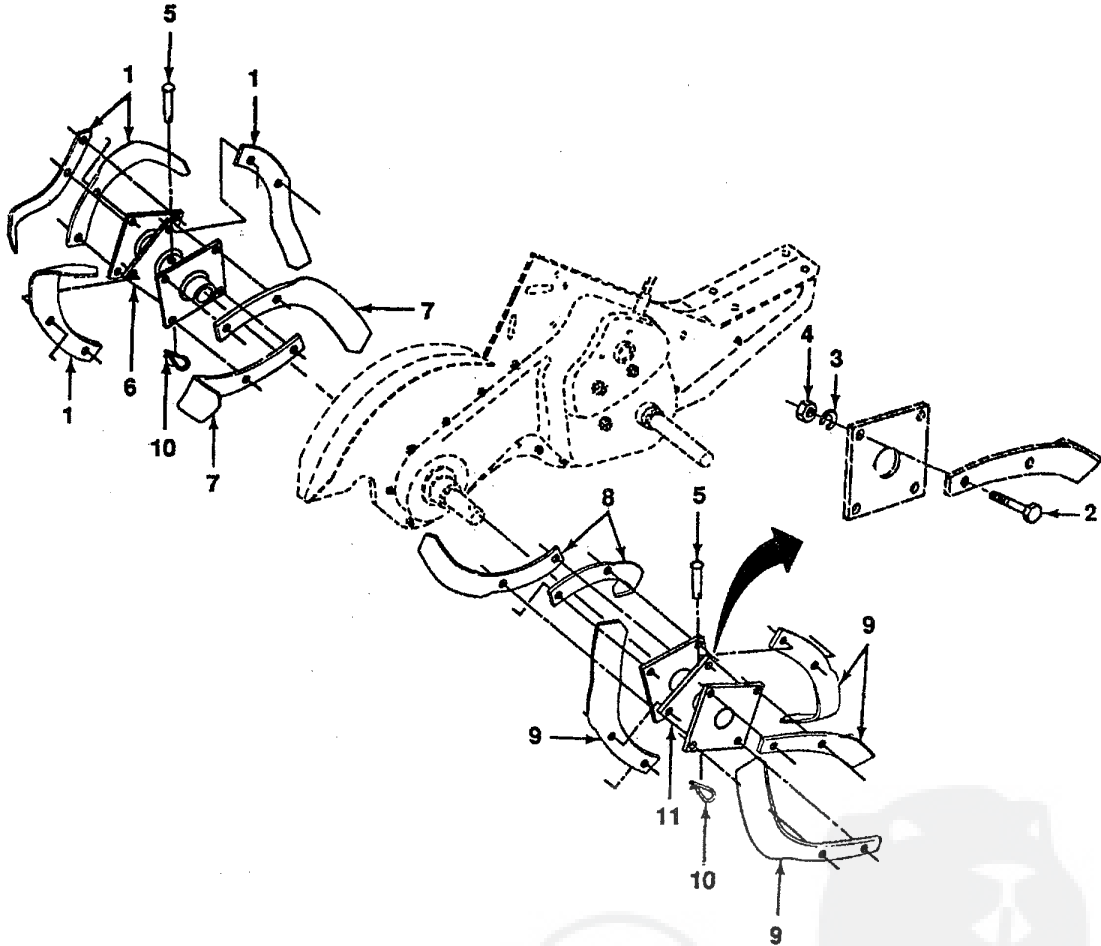
KEY PART NO.	PART NO.	DESCRIPTION
17	10040400	Washer, Lock 1/4
19	102701X	Grip
20	73220600	Nut, Hex 3/8-16
21	102156X	Stake, Depth
22	74930632	Bolt, Hex 3/8-16 x 2
23	4440J	Hinge
24	72140404	Bolt, Carriage 1/4-20 x 1/2 Gr. 5
25	6712J	Cap, Vinyl
26	109227X	Pad, Idler
27	102695X423	Shield, Leveling
29	120588X	Pin, Hinge
30	8392J	Bracket, Latch
31	72110510	Bolt, Carriage 5/16-18 x 1-1/4
--	124171X	Decal, Tine Shield
--	120076X	Decal, Warning (Leveling Shield)

NOTE: All component dimensions given in U.S. inches.
1 inch = 25,4 mm

REPAIR PARTS

5 HP 17" CRT TILLER - - MODEL NUMBER YERT5B

TINES



KEY PART NO.	PART NO.	DESCRIPTION
1	4459J	Tine, L. H. Outer
2	74610616	Bolt, Hex 3/8-24 x 1
3	10040600	Washer, Lock 3/8
4	73610600	Nut, Hex 3/8-24
5	4929H	Clevis Pin
6	102380X	Assembly, Hub and Plate, L. H.

KEY PART NO.	PART NO.	DESCRIPTION
7	6554J	Tine, L. H. Inner
8	6555J	Tine, R. H. Inner
9	4460J	Tine, R. H. Outer
10	3146R	Clip, Hairpin
11	102382X	Assembly, Hub and Plate, R. H.

NOTE: All component dimensions given in U.S. inches.
1 inch = 25,4 mm