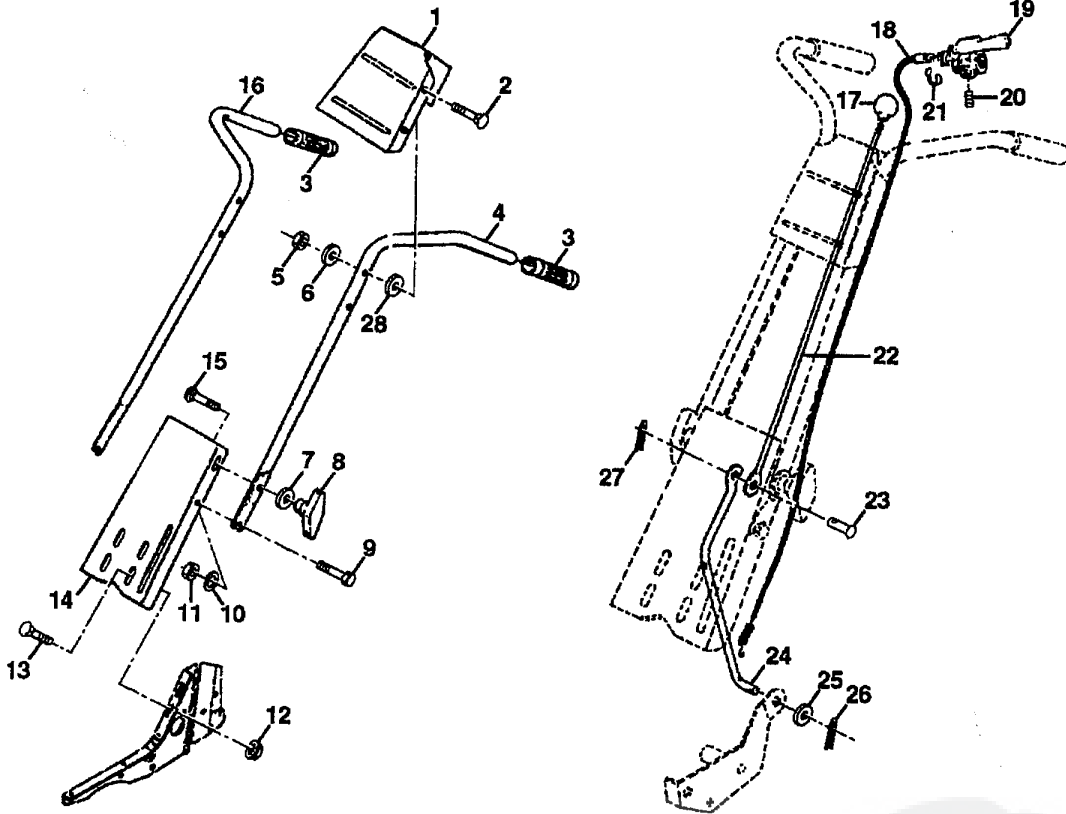


# REPAIR PARTS

## 5 HP 24" TILLER - - MODEL NUMBER WEF550C

### HANDLE ASSEMBLY



KEY NO.	PART NO.	DESCRIPTION
1	131268X419	Bracket, Handle
2	72140512	Bolt, Carriage 5/16-18 UNC x 1-1/4
3	140536	Grip, Handle
4	2623J500	Handle, L.H.
5	73680500	Locknut, Crown 5/16-18
6	19111116	Washer 11/32 x 11/16 x 16 Ga.
7	19121414	Washer 3/8 x 7/8 x 14 Ga.
8	136376	Knob, Handle
9	471J	Bolt, Shoulder 5/16-18 x 3/4
10	10040500	Washer, Lock 5/16
11	73220500	Nut, Hex 5/16-18
12	98000129	Nut, Flanged 5/16-18
13	72140506	Bolt, Carriage 5/16-18 x 3/4 Gr. 5
14	674A150419	Panel, Handle
15	72110510	Bolt, Carriage 5/16-18 x 1-1/4 Gr. 5
16	2624J500	Handle, R.H.
17	106932X	Knob, Control, Reverse

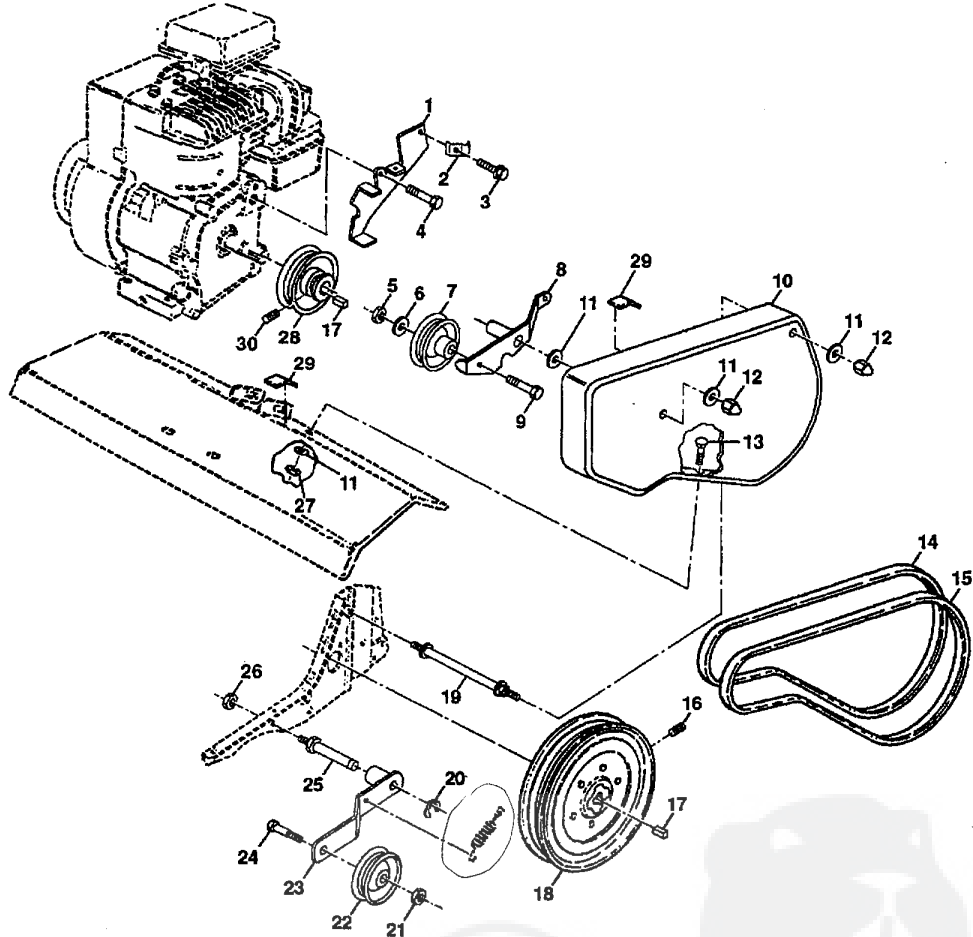
KEY NO.	PART NO.	DESCRIPTION
18	3066J	Cable, Control, Tine
19	2635J	Lever, Control, Tine
20	23200405	Screw, Set, Socket, Forged, Headless 1/4-20 x 5/16
21	12000027	Ring, Klip
22	101248K	Rod, Reverse, Upper
23	1778E	Pin, Retaining
24	2613J	Rod, Reverse, Lower
25	19131316	Washer 13/32 x 13/16 x 16 Ga.
26	76020412	Pin, Cotter 1/8 x 3/4
27	76020308	Pin, Cotter 3/32 x 1/2
28	19131312	Washer 13/32 x 13/16 x 12 Ga.

**NOTE:** All component dimensions are given in U.S. inches.  
1 inch = 25.4 mm

# REPAIR PARTS

## 5 HP 24" TILLER - - MODEL NUMBER WEF550C

### BELT GUARD AND PULLEY ASSEMBLY



KEY NO.	PART NO.	DESCRIPTION
1	123643X	Assembly, Bracket, Belt Guard
2	9484R	Clip, Cable
3	86777	Screw, Hex, Washer Hd., Slotted, Thd. Cutting #10-24 x 1/2 Type D
4	74770812	Bolt, Hex 1/2-20 x 3/4
5	73220600	Nut, Hex 3/8-16
6	19131316	Washer 13/32 x 13/16 x 16 Ga.
7	2009J	Pulley, Idler, Reverse
8	127180X	Assembly, Arm, Reverse Idler
9	74760628	Bolt, Hex 3/8-16 x 1-3/4
10	106970X419	Guard, Belt
11	19091016	Washer 9/32 x 5/8 x 16 Ga.
12	104213X	Nut, Cap 1/4-20
13	72140405	Bolt, Carriage 1/4-20 x 5/8
14	133035	V-Belt (Forward Motion)
15	2614J	V-Belt (Reverse)
16	23230506	Screw, Set, Socket, Headless C.P. 5/16-18 x 3/8
17	2649M	Key, Square

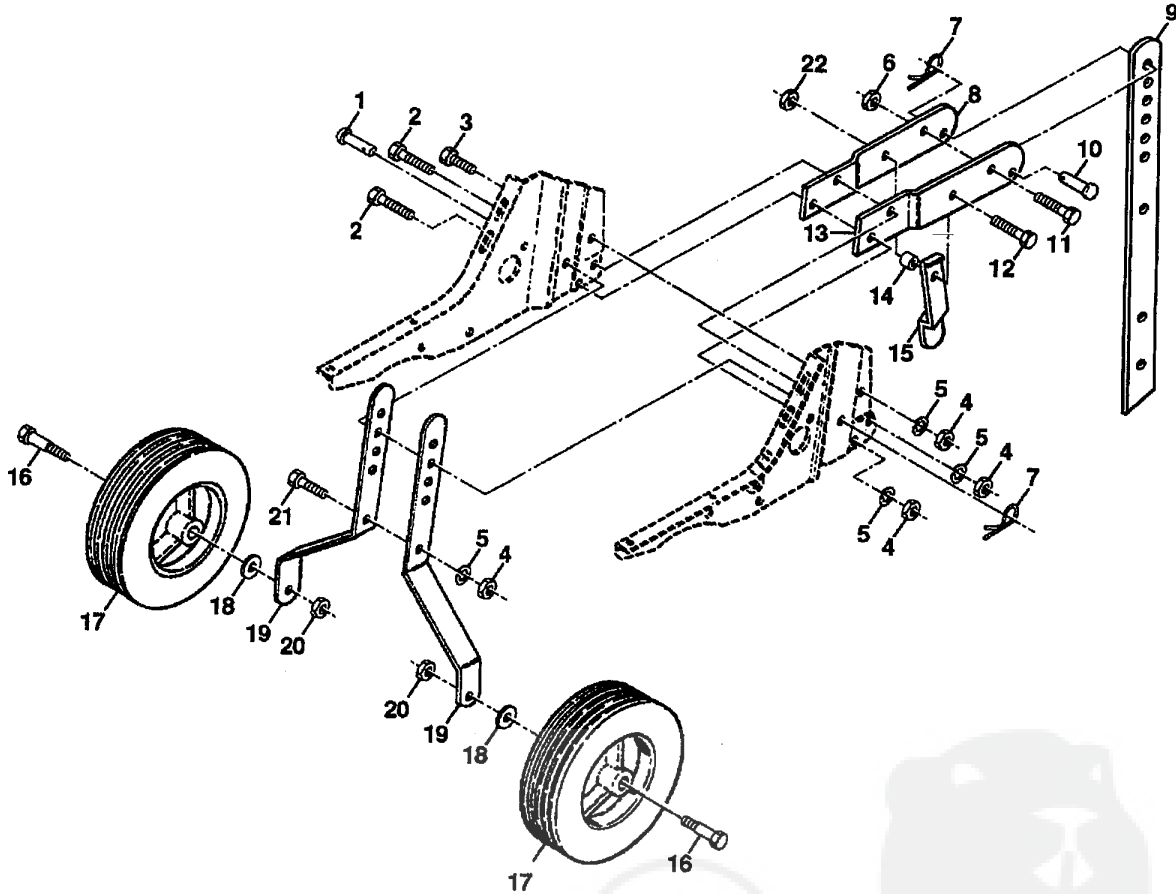
KEY NO.	PART NO.	DESCRIPTION
18	2607J	Sheave, Transmission
19	110550X	Bolt, Belt Guard
20	12000036	Ring, Klip
21	73350600	Nut, Hex, Jam 3/8-16
22	9178R	Pulley, Idler
23	674A30	Arm, Idler
24	74760620	Bolt, Hex 3/8-16 x 1-1/4
25	106968X	Shaft, Idler Arm
26	73350500	Nut, Hex, Jam 5/16-18
27	73800400	Locknut, w/insert 1/4-20
28	101189L	Sheave, Engine
29	109227X	Pad, Idler
30	23200404	Screw, Set, Socket, Headless C.P. 1/4-20 x 1/4

**NOTE:** All component dimensions given in U.S. inches.  
1 inch = 25.4 mm

# REPAIR PARTS

## 5 HP 24" TILLER - - MODEL NUMBER WEF550C

### WHEEL AND DEPTH STAKE ASSEMBLY



KEY NO.	PART NO.	DESCRIPTION
1	9194R	Pin, Clevis
2	74760520	Bolt, Hex 5/16-18 x 1-1/4
3	74760512	Bolt, Hex 5/16-18 x 3/4
4	73220500	Nut, Hex 5/16-18
5	10040500	Washer, Lock 5/16
6	73800600	Locknut, w/washer 3/8-16
7	4921H	Clip, Hairpin
8	1952J500	Support, Depth Stake, R.H.
9	122233X	Stake, Depth
10	326J	Pin, Clevis
11	74780628	Bolt, Hex, Fin 3/8-16 x 1-3/4
12	74760524	Bolt, Hex 5/16-18 x 1-1/2 Gr. 2
13	1951J500	Support, Depth Stake, L.H.

KEY NO.	PART NO.	DESCRIPTION
14	120958X	Washer
15	5388J	Spring, Stake
16	121117X	Bolt, Shoulder
17	139488	Wheel
18	19131311	Washer 13/32 x 13/16 x 11 Ga.
19	9190R500	Bracket, Wheel
20	73680600	Locknut, Crown 3/8-16
21	74760516	Bolt, Hex 5/16-18 x 1
22	73800500	Locknut, w/insert 5/16-18

**NOTE:** All component dimensions given in U.S. inches.  
1 inch = 25.4 mm

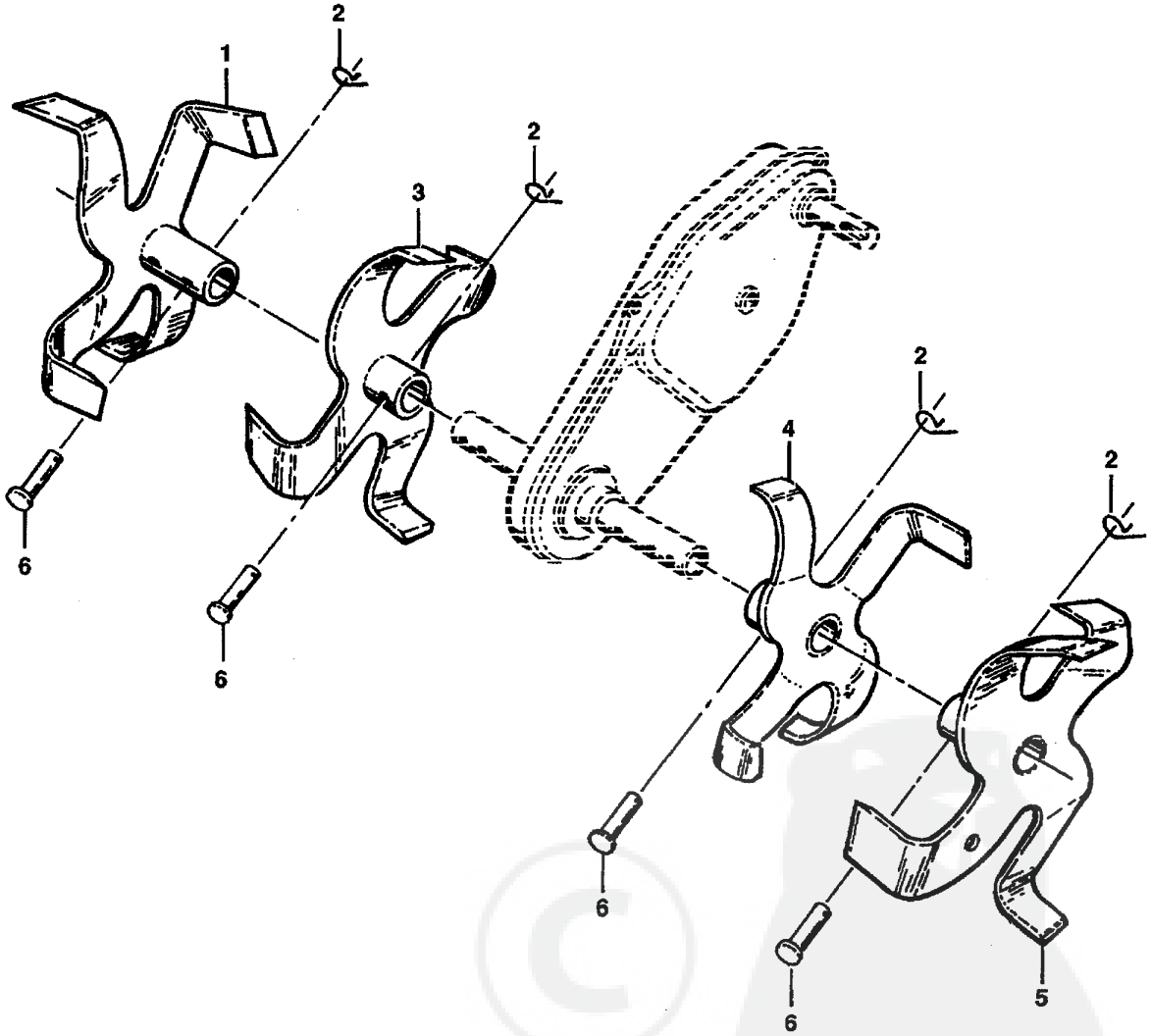
49

21

# REPAIR PARTS

5 HP 24" TILLER -- MODEL NUMBER WEF550C

## TINE ASSEMBLY



KEY NO.	PART NO.	DESCRIPTION
1	674A66	Tine, Outer, R.H.
2	3146R	Clip, Hairpin
3	674A64	Tine, Inner, R.H.

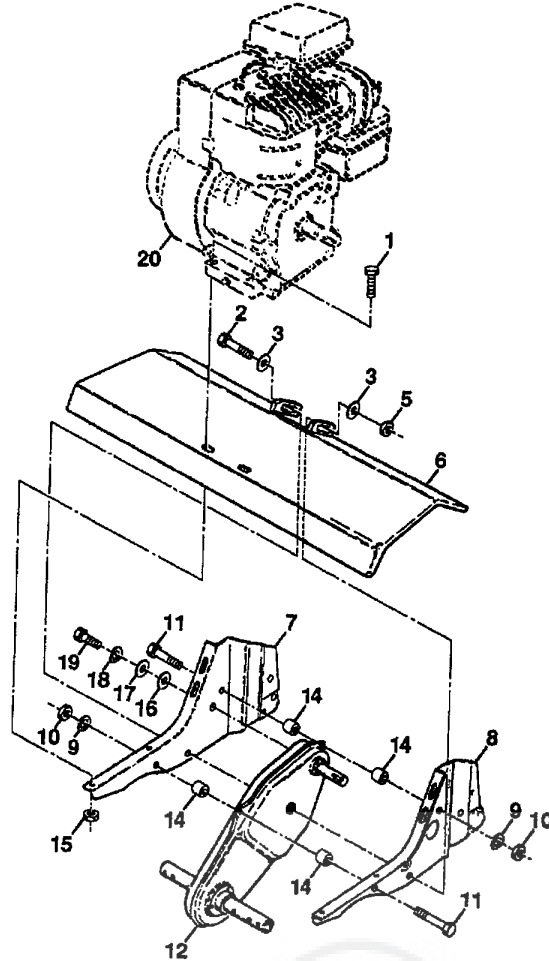
KEY NO.	PART NO.	DESCRIPTION
4	674A63	Tine, Inner, L.H.
5	674A65	Tine, Outer, L.H.
6	4929H	Pin, Clevis

A:0

# REPAIR PARTS

5 HP 24" TILLER -- MODEL NUMBER WEF550C

## TRANSMISSION



KEY NO.	PART NO.	DESCRIPTION
1	74760524	Bolt, Hex 5/16-18 x 1-1/2 Gr. 2
2	74780652	Bolt, Hex, Fin 3/8-16 x 3-1/4
3	19131311	Washer 13/32 x 13/16 x 11
5	73800600	Locknut, Hex, w/washer 3/8-16
6	9056R419	Shield, Tine
7	1949J500	Bracket, Engine, R.H.
8	110519X500	Bracket, Engine, L.H.
9	10040500	Washer, Lock 5/16
10	73220500	Nut, Hex 5/16-18
11	74760544	Bolt, Hex 5/16-18 x 2-3/4
12	126669X	Transmission

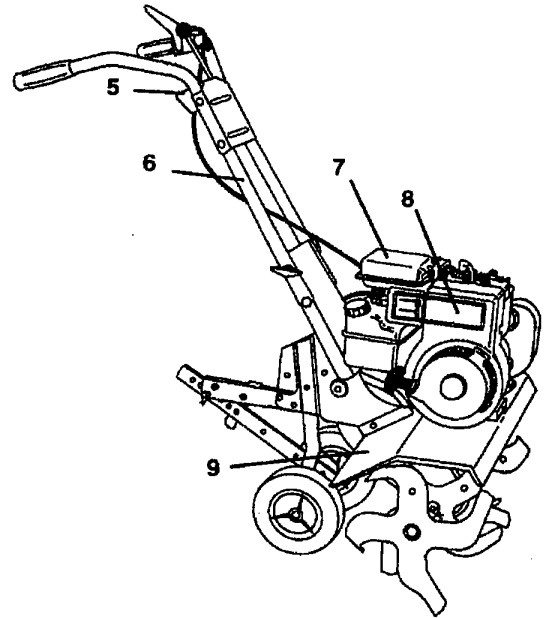
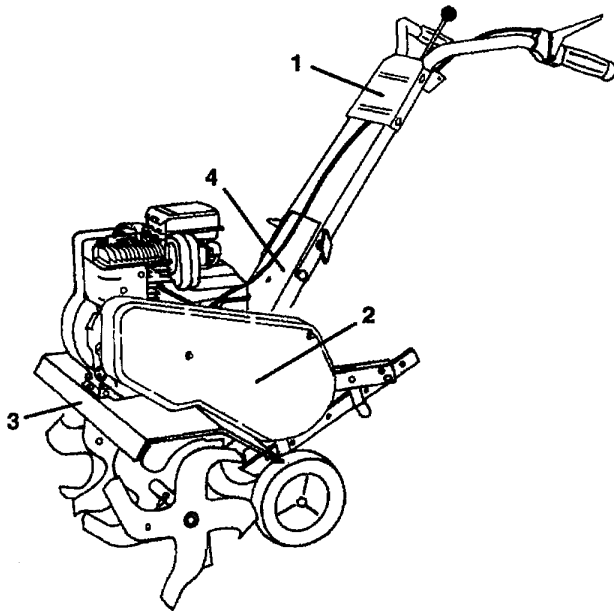
KEY NO.	PART NO.	DESCRIPTION
14	9173R	Spacer, Split
15	73510500	Nut, Keps 5/16
16	19091412	Washer 9/32 x 7/8 x 12 Ga.
17	19092016	Washer 9/32 x 1-1/4 x 16 Ga.
18	10040400	Washer, Lock 1/4
19	74610412	Bolt, Hex 1/4-28 x 3/4 Gr. 5
20	-----	Engine, Briggs and Stratton, Model No. 135202

**NOTE:** All component dimensions given in U.S. inches.  
1 inch = 25.4 mm

# REPAIR PARTS

## 5 HP 24" TILLER -- MODEL NUMBER WEF550C

### DECALS



KEY NO.	PART NO.	DESCRIPTION
1	132591	Decal, Logo
2	143642	Decal, Logo
3	137667	Decal, Description
4	137686	Decal, Hp, Reverse
5	121753X	Decal, Reverse, Tine Control
6	110614X	Decal, Hand Placement
7	110612X	Decal, Caution
8	121543X	Decal, Briggs & Stratton
9	120076X	Decal, Warning, Rotating Tines
--	143647	Manual, Owner's (English)
--	143661	Manual, Owner's (French)