

MASTER PARTS MANUAL

ROTARY MOWERS

RALLY LAWN TRACTORS

MODELS:

M1118AR
M6187AR
M6517BR
M6538AR

L0239AR
L1219AR
L8218AR
L8218BR
L8218CR

few {
K8327AR
K8327BR
K8327CR

LA049AR
LA058AR
LA068AR

new. Football Exchange.

*Jeune de lames 71285
Courvois traction 75794
" tondeuse 69828*

LAWN AND GARDEN
POWER EQUIPMENT

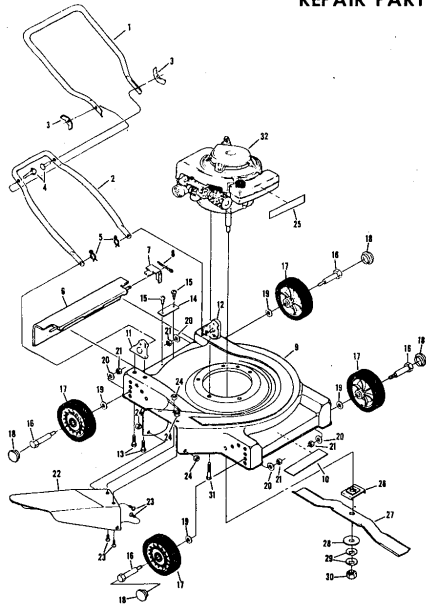
ROPER SALES CORP.

1905 WEST COURT STREET
KANKAKEE, ILLINOIS 60901

PRICE \$2.00
FEBRUARY 1, 1979

ROPER 20" 148 CC 3.5 H.P. ROTARY LAWN MOWER MODEL NUMBER M1118AR

REPAIR PARTS



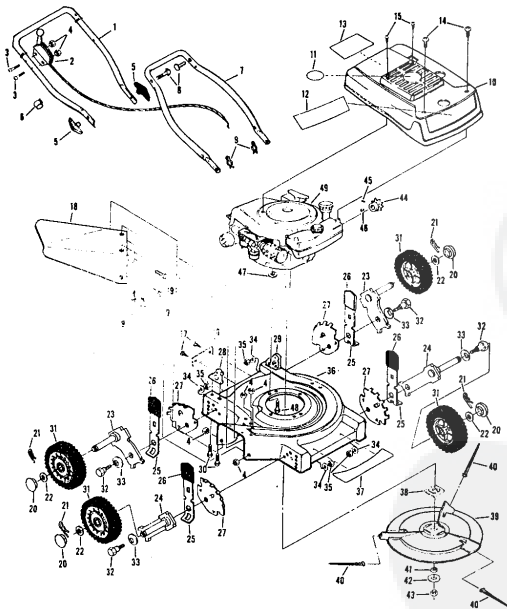
ROPER 20" 148 CC 3.5 H.P. ROTARY LAWN MOWER MODEL NUMBER M1118AR

REPAIR PARTS

Ref. No.	Part No.	Part Name	Ref. No.	Part No.	Part Name
1	64932	Handle - Upper	18	67360	Hub Cap (R.R.-L.R.-R.F.-L.F.)
2	62362	Handle - Lower	19	70080	Washer, Flat Steel .405-.860 X .250 (R.R.-L.R.-R.F.-L.F.)
3	67504	Wing Nut 5/16-18	20	54005	Washer, Flat Steel .405-.860 X .095 (R.R.-L.R.-R.F.-L.F.)
4	58714	Bolt, Handle 5/16-18 X 1 3/4	21	74400	Nut, Lock 3/8-16 (R.R.-L.R.-R.F.-L.F.)
5	51793	Hairpin Cutter - 3/4	22	67731	Discharge Guard
6	72502	Rear Skirt	23	69179	Screw, Machine #10-24 X 1/2
7	72393	Skirt Keeper	24	69100	Nut, Lock #10-24
8	63640	Cutter Pin - 3/4	25	75773	Decal - Fuel Tank
9	79262	Housing W/Silk Screening W/Decal (Incl. Ref. #10)	26	69226	Blade Flange Assembly
10	73221	Decal - Housing	27	69229	Blade
11	62886	Handle Bracket Assembly-Right	28	69385	Washer, Blade
12	62887	Handle Bracket Assembly-Left	29	54867	Washer, Spring (Ballville Type)
13	55187	Screw, Self-Tapping 5/16-18 X 3/4	30	51423	Nut, Nylon 5/8-18
14	75766	Number Plate	31	68205	Screw, Machine Hex Head W/Lock Washer 5/16-18 X 7/8
15	54562	Screw, Self-Tapping #10-24 X 3/8	32	75071	Engine-Model (LAV 25-40945L) (3.5 H.P.) (Tecumseh Products Company)
16	60838	Axle Bolt 3/8-16 (R.R.-L.R.-R.F.-L.F.)			Parts List - Owner's Manual
17	75071	Wheel and Tire Assembly-7" (R.R.-L.R.-R.F.-L.F.)	75768		

ROPER 20" WHIP STIK™ 164CC 4.0 H.P. POWER PROPELLED LAWN MOWER MODEL NUMBER M6187AR

REPAIR PARTS

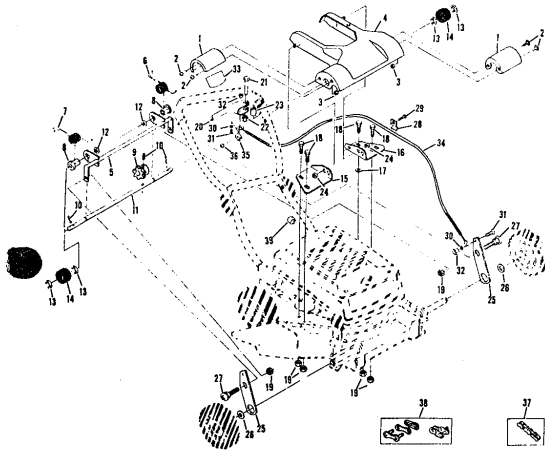


ROPER 20" WHIP STIK™ 164CC 4.0 H.P. POWER PROPELLED LAWN MOWER MODEL NUMBER M6187AR

Ref. No.	Part No.	Part Name	Ref. No.	Part No.	Part Name
1	75193	Handle - Upper	28	62886	Handle Bracket Assembly-Right
2	73445	Remote Control	29	62887	Handle Bracket Assembly-Left
3	69411	Screw, Machine Phillips #10-24 X 1 3/4	30	55187	Screw, Self-Tapping 5/16-18 X 3/4
4	69180	Nut, Lock #10-24	31	72425	Wheel and Tire Assembly-8" (R.R.-L.R.-R.F.-L.F.)
5	58715	Knob - Handle	32	64763	Bolt, Shoulder (Special) 3/8-16 (R.R.-L.R.-R.F.-L.F.)
6	38891	Cable Clip	33	62335	Washer, Belleville .500-1.10 X .082 (R.R.-L.R.-R.F.-L.F.)
7	62362	Handle - Lower	34	62333	Washer, Flat Steel .300-1.437 X .074 (R.R.-L.R.-R.F.-L.F.)
8	58714	Bolt, Handle 5/16-18 X 1 3/4	35	74400	Nut, Lock 3/8-16
9	51793	Hairpin Cutter - 3/4	36	79294	Housing W/Silk Screening W/Decal (Incl. Ref. #37)
10	79285	Engine Shroud Pack (Incl. Ref. #11,12,13)	37	75325	Decal - Housing
11	74779	Decal - Center	38	74654	Flange Assembly
12	73216	Decal - Shroud	39	74199	Pin Holder
13	74656	Decal - Engine Instruction	40	74334	Pin (Three required)
14	73322	Screw, Self-Tapping #8 X 3/4	41	74393	Spacer
15	68246	Screw, Self-Tapping 1/4-20 X 3/4	42	74456	Washer, Belleville .630-1.875 X .129
16	75215	Number Plate	43	51433	Nut, Nylon 5/8-18
17	54562	Screw, Self-Tapping #10-24 X 3/8	44	71851	Spracket 9 Tooth W/2 Set Screw (Incl. Ref. #45)
18	67731	Discharge Guard	45	52828	Set Screw 1/4-28 X 3/16
19	69179	Screw, Machine #10-24 X 1/2	46	52978	Key, Woodruff #5
20	67360	Hub Cap (R.R.-L.R.-R.F.-L.F.)	47	59289	Washer, Flat Steel .328-1 X .097 5/16-18 X 7/8
21	55015	Retainer Clip (R.R.-L.R.-R.F.-L.F.)	48	68205	Screw, Machine Hex Head 5/16-18 X 7/8
22	52160	Washer, Flat Steel .515-1 X .031 (R.R.-L.R.-R.F.-L.F.)	49		Engine-Model (LAV 40-5037SD) (4.0 H.P.) (Tecumseh Products Company)
23	69474	Axle Arm Assembly (R.R.-L.R.-L.F.)			Parts List - Owner's Manual
24	73632	Axle Arm Assembly (R.R.-L.R.-L.F.)			
25	70683	Selector Spring (R.R.-L.R.-R.F.-L.F.)			
26	70685	Selector Knob (R.R.-L.R.-R.F.-L.F.)			
27	69478	Wheel Adjusting Bracket (R.R.-L.R.-R.F.-L.F.)	75218		

ROPER 20" WHIP STIK™ 164CC 4.0 H.P. POWER PROPELLED LAWN MOWER MODEL NUMBER M6187AR

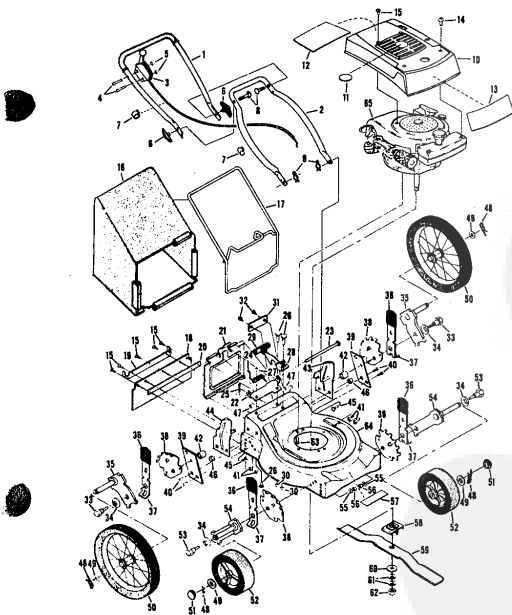
REPAIR PARTS



ROPER 20" WHIP STIK™ 164CC 4.0 H.P. POWER PROPELLED LAWN MOWER MODEL NUMBER M6187AR

Ref. No.	Part No.	Part Name	Ref. No.	Part No.	Part Name
1	73629	Drive Cover	22	72979	Nut, Shoulder (Special) 1/4-28
2	75136	Screw, Machine #10-24 X 1/2	23	73405	Spacer
3	53491	Nut, Lock #10-24	24	52365	E-Ring 3/8 Shaft
4	73787	Chain Cover Assembly	25	74162	Lower Link
5	73626	Yoke Assembly	26	74252	Washer, Flat Steel .531-1.187 X .148
6	73115	Spring - L.H.	27	73916	Bolt, Shoulder (Special) 1/4-20 X 3/4
7	73172	Spring - R.H.	28	73276	Retainer
8	73087	Bearing	29	55187	Screw, Self-Tapping 5/16-18 X 3/4
9	73696	Sprocket - 8 Tooth	30	74190	Spacer
10	52379	Spring Pin 3/16 X 1	31	57155	Screw, Machine #10-24 X 5/8
11	73628	Driven Shaft	32	69180	Nut, Lock #10-24
12	73928	Washer, Flat Steel .628-1.25 X .028	33	73442	Decal - Clutch
13	52364	E-Ring 5/8 Shaft	34	74158	Cable
14	67973	Driver	35	73755	Cable Clamp
15	75113	Pivot - R.H.	36	68662	Screw, Self-Tapping #10 X 7/8
16	75214	Pivot - L.H.	37	74787	Chain #65 (44 Pitch)
17	63128	Washer, Flat Steel .265-3/4 X .082	38	69472	Repair Link Kit (Incl. Offset and Connecting Link)
18	54395	Screw, Hex Head 1/4-20 X 5/8	39	58891	Cable Clip
19	74218	Nut, Lock 1/4-20			
20	74161	Lever			
21	72978	Bolt, Shoulder (Special) 1/4-28 X 1 5/8			

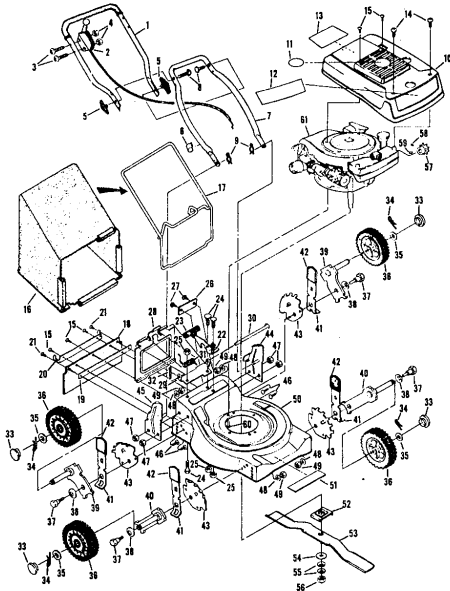
ROPER 20" HIGH WHEEL REAR BAGGER 4.0 H.P. ROTARY LAWN MOWER MODEL NUMBER M6517BR



ROPER 20" HIGH WHEEL REAR BAGGER 4.0 H.P. ROTARY LAWN MOWER MODEL NUMBER M6517BR

Ref. No.	Part No.	Part Name	Ref. No.	Part No.	Part Name
1	74478	Handle - Upper	37	70683	Selector Spring (R.F.-L.F.-R.R.-L.R.)
2	62262	Handle - Lower	38	69478	Wheel Adjusting Bracket (R.F.-L.F.-R.R.-L.R.)
3	73445	Remote Control	39	73712	Bracket Support (R.R.-L.R.)
4	69411	Screw, Machine Phillips #10-24 X 1 1/4	40	73403	Bolt, Hex Head 3/8-16 X 5/8 (R.R.-L.R.)
5	69180	Nut, Lock #10-24	41	51961	Nut, Lock 3/8-16 (R.R.-L.R.)
6	58715	Knob - Handle	42	73713	Spacer (R.R.-L.R.)
7	58891	Cable Clip	43	78992	Handle Bracket - L.H.
8	58714	Bolt, Handle 5/16-18 X 1 3/4	44	78991	Handle Bracket - R.H.
9	51792	Mainpin Cutter - 3/4	45	75156	Bolt, Carriage 5/16-18 X 1/2 (R.R.-L.R.)
10	79261	Engine Shroud Pack (Incl. Ref. #11, 12, 13)	46	74399	Nut, Lock 5/16 X 18
11	74640	Decal - Center	47	68478	Nut, Lock 5/16 X 18 (R.R.-L.R.)
12	74909	Decal - Engine Instruction	48	55015	Retainer Clip (R.R.-L.R.-R.F.-L.F.)
13	74960	Decal - Shroud	49	52160	Washer, Flat Steel .515-1 X .031 (R.R.-L.R.-R.F.-L.F.)
14	73322	Screw, Self-Tapping #8 X 3/4	50	73422	Wheel and Tire Assembly 14.00 X 1.75 (R.R.-L.R.)
15	68346	Screw, Self-Tapping 1/4-20 X 3/4	51	67360	Hub Cap
16	75362	Catcher Bag	52	75073	Wheel and Tire Assembly 8.00 X 1.75 (R.F.-L.F.)
17	72870	Catcher Frame	53	64763	Bolt, Shoulder 3/8-16 (Special) (R.F.-L.F.)
18	73874	Rear Skin	54	69474	Axle Arm Assembly (R.F.-L.F.)
19	73176	Catcher Support	55	62333	Washer, Flat Steel .300-.437 X .074 (R.F.-L.F.)
20	73061	Backing Strip	56	65543	Nut, Lock 3/8-16 (R.F.-L.F.)
21	72869	Rear Door	57	73221	Decal - Housing
22	72125	Hinge Bracket	58	69226	Blade Flange Assembly
23	73326	Hinge Rod	59	69229	Blade
24	72962	Spring	60	69385	Washer, Blade
25	65640	Cotter Pin - 5/64	61	54657	Washer, Spring (Bellville Type)
26	73383	Bolt, Carriage 1/4-20 X 5/8 (Special) (R.R.-L.R.)	62	51433	Nut, Nylok 5-18
27	65601	Nut, Lock 1/4-20	63	68205	Screw, Machine Hex Head W Lock Washer 5/16-18 X 7/8
28	72881	Catcher Latch (Incl. Ref. #29)	64	79258	Housing W/316 (With Decal) (Incl. Ref. #2)
29	68618	Knob	65		Engine-Model (LAV 40-50374D) (Tecumseh Products Co.) 4.0 H.P.
30	74218	Nut, Lock 1/4-20			Parts List-Owner's Manual
31	75614	Number Plate			
32	54562	Screw, Self-Tapping #10-24 X 3/8			
33	73714	Bolt, Shoulder 5/16-18 (Special) (R.R.-L.R.)			
34	62335	Washer, Bellville .505-1.10 X .082 (R.R.-L.R.-R.F.-L.F.)			
35	73420	Axle Arm Assembly (R.R.-L.R.)			
36	70685	Knob-Selector (R.F.-L.F.-R.R.-L.R.)			

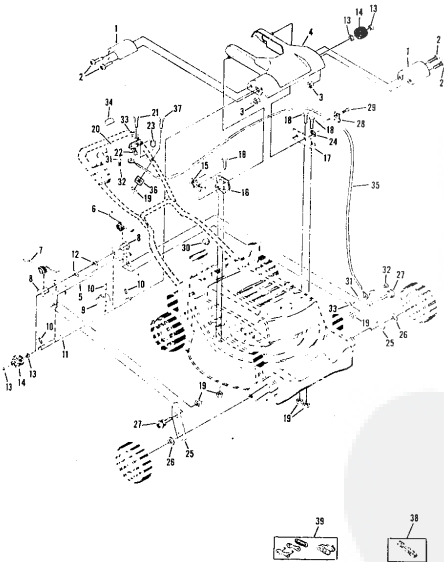
ROPER 20" REAR BAGGER 164CC 4.0 H.P. POWER-PROPELLED
LAWN MOWER MODEL NUMBER M6538AR **REPAIR PARTS**



ROPER 20" REAR BAGGER 164CC 4.0 H.P. POWER-PROPELLED **REPAIR PARTS**
LAWN MOWER MODEL NUMBER M6538AR

Ref. No.	Part No.	Part Name	Ref. No.	Part No.	Part Name
1	76468	Handle - Upper	36	72425	Wheel and Tire Assembly-8"
2	73445	Remote Control	37	64763	Bolt, Shoulder (Special) 3/8-16 (R.R.-L.R.-R.F.-L.F.)
3	69411	Screw, Machine Phillips #10-24 X 1 3/4	38	62335	Washer, Belleville .505-1.10 X .062 (R.R.-L.R.-R.F.-L.F.)
4	69180	Nut, Lock #10-24	39	69474	Axle Arm Assembly (R.F.-L.R.)
5	52715	Knob - Handle	40	73632	Selector Spring (R.R.-L.R.-R.F.-L.F.)
6	58891	Cable Clip	41	70683	Selector Spring (R.R.-L.R.-R.F.-L.F.)
7	62362	Handle - Lower	42	70685	Selector Knob (R.R.-L.R.-R.F.-L.F.)
8	52714	Bolt, Handle 5/16-18 X 1 3/4	43	69478	Wheel Adjusting Bracket (R.R.-L.R.-R.F.-L.F.)
9	51793	Mainpin Cutter - 3/4	44	78992	Handle Bracket Assembly-Left
10	79261	Engine Shroud Pack (Incl. Ref. #11,12,13)	45	78991	Handle Bracket Assembly-Right
11	74640	Decal - Center	46	75156	Bolt, Carriage 5/16-18 X 1/2 (R.R.-L.R.)
12	74960	Decal - Shroud	47	74399	Nut, Lock 5/16-18 (R.R.-L.R.)
13	74959	Decal - Engine Instruction	48	62333	Washer, Flat Steel .390-1.457 X .074 (R.R.-L.R.-R.F.-L.F.)
14	73322	Screw, Self-Tapping #8 X 3/4	49	74400	Nut, Lock 3/8-16 (R.R.-L.R.-R.F.-L.F.)
15	68546	Screw, Self-Tapping 1/4-20 X 3/4	50	79269	Housing W/Silk Screening W/Decal (Incl. Ref. #51)
16	75363	Catcher Bag	51	73221	Decal - Housing
17	72870	Catcher Frame	52	69226	Blade Flange Assembly
18	72883	Rear Skirt	53	69229	Blade
19	72061	Backing Strip	54	69285	Washer, Blade
20	73176	Catcher Support	55	54867	Washer, Spring (Belleville Type)
21	73845	Screw, Self-Tapping 1/4-20 X 1/2	56	51633	Nut, Nylok 5/8-16
22	72881	Catcher Latch (Incl. Ref. #23)	57	71851	Sprocket 9 Tooth W/2 Set Screw (Incl. Ref. #58)
23	68618	Knob	58	52826	Set Screw 1/4-28 X 3/16
24	73383	Bolt, Carriage 1/4-20 X 5/8	59	52978	Key, Woodruff #5
25	74218	Nut, Lock 1/4-20	60	68205	Screw, Machine Hex Head 5/16-18 X 7/8
26	75788	Number Plate	61		Engine-Model (LAV 40-50375D) (Tecumseh Products Company) (4.0 H.P.)
27	54562	Screw, Self-Tapping #10-24 X 3/8		75790	Parts List - Owner's Manual
28	72869	Rear Deck			
29	73215	Hinge Bracket			
30	73326	Hinge Rod			
31	72962	Spring			
32	68640	Cutter Pin - 3/4			
33	67360	Hub Cap (R.R.-L.R.-R.F.-L.F.)			
34	55015	Retainer Clip (R.R.-L.R.-R.F.-L.F.)			
35	52160	Washer, Flat Steel .515-1 X .031 (R.R.-L.R.-R.F.-L.F.)			

ROPER 20" REAR BAGGER 164CC 4.0 H.P. POWER-PROPELLED **REPAIR PARTS**
LAWN MOWER MODEL NUMBER M6538AR

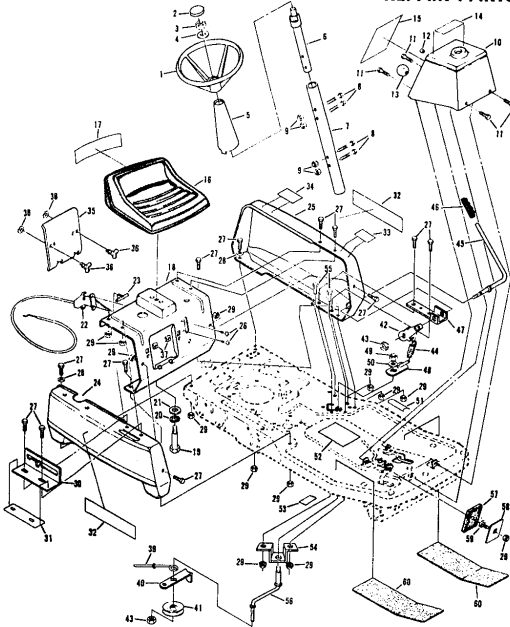


ROPER 20" REAR BAGGER 164CC 4.0 H.P. POWER-PROPELLED **REPAIR PARTS**
LAWN MOWER MODEL NUMBER M6538AR

Ref. No.	Part No.	Part Name	Ref. No.	Part No.	Part Name
1	73629	Drive Cover	22	72979	Nut, Shoulder (Special) 1/4-28
2	75136	Screw, Machine #10-24 X 1/2	23	73405	Spacer
3	53491	Nut, Lock #10-24	24	52365	E-Ring 3/8 Shaft
4	76335	Chain Cover Assembly	25	74162	Lower Link
5	73626	Yoke Assembly	26	74232	Washer, Flat Steel .531-1.187 X .148
6	73115	Spring - L.H.	27	73916	Bolt, Shoulder (Special) 1/4-20
7	73172	Spring - R.H.	28	73276	Retainer
8	73087	Bearing	29	55187	Screw, Self-Tapping 5/16-18 X 3/4
9	72696	Sprocket - 8 Teeth	30	58891	Cable Clip
10	52379	Spring Pin - 3/16 X 1	31	74190	Spacer
11	73628	Driven Shaft	32	57155	Screw, Machine 10-24 X 5/8
12	73928	Washer, Flat Steel .828 - 1.25 X .028	33	69180	Nut, Lock 10-24
13	52364	E-Ring 5/8 Shaft	34	73442	Decal - Clutch
14	67973	Driver	35	76406	Cable
15	75043	Pivot Adjusting Bracket	36	76370	Cable Clamp
16	74617	Pivot - R.H.	37	65131	Screw, Machine 1/4-20 X 1 1/2
17	74618	Pivot - L.H.	38	74787	Chain .65 (44 Pitches)
18	54395	Screw, Hex Head 1/4-20 X 5/8	39	60472	Repair Link Kit (Incl. Offset and Connecting Link)
19	74216	Nut, Lock 1/4-20			
20	74161	Lever			
21	72978	Bolt, Shoulder (Special) 1/4-28 X 1 5/8			

ROPER 32" REAR ENGINE RIDING LAWN MOWER ELECTRIC START 8.0 H.P. MODEL NUMBER K8327AR

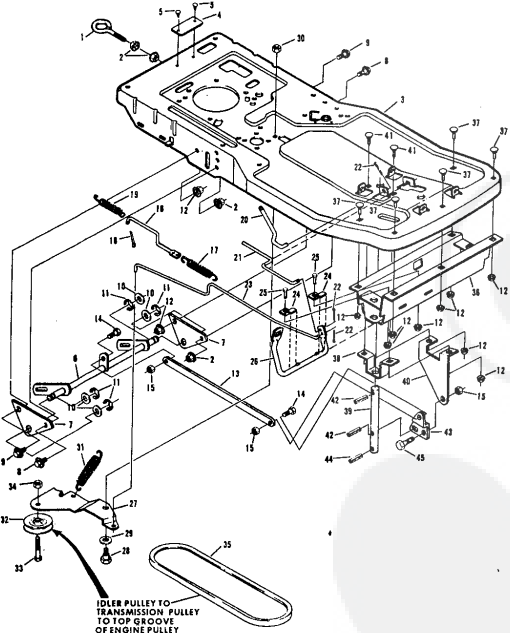
REPAIR PARTS



ROPER 32" REAR ENGINE RIDING LAWN MOWER ELECTRIC START 8.0 H.P. MODEL NUMBER K8327AR

Ref. No.	Part No.	Part Name	Ref. No.	Part No.	Part Name
1	74544	Steering Wheel	29	54922	Nut, Keps 5/16-18
2	74572	Inset Cap	30	74531	Shifter Gate
3	50830	Nut, Lock 1/2-20	31	74560	Decal - Shift
4	53632	Washer, Flat Steel .531-1 X .063	32	74601	Decal-Side Panel (L.H.-R.H.)
5	72705	Steering Shaft Cover	33	74561	Decal-Brake Control
6	74565	Steering Shaft - Upper	34	74512	Decal-Engine Area
7	74582	Steering Shaft Extension	35	72926	Battery Holder
8	69902	Bolt, Hex Head 1/4-20 X 1 1/4	36	73319	Wing Head Stud
9	63601	Nut, Lock 1/4-20	37	73320	Receptacle
10	74523	Console Assembly	38	73321	Split Ring
11	71263	Screw, Thread Cutting 5/16-18 X 1/2	39	72907	Blade Brake Rod
12	71673	Flanger Cap	40	74544	Bolt Keeper
13	55862	Knob	41	53018	Idler Pulley
14	75122	Decal-Operating Instructions	42	74613	Spring Arm
15	74558	Decal-Instruction	43	51961	Nut, Lock 3/8-16
16	74563	Seat Assembly	44	75045	Spring
17	75070	Decal - Seat	45	74538	Blade Clutch Lever
18	74563	Front Panel	46	71246	Grip
19	72639	Bolt, Shoulder (Special) 1/2-13	47	74539	Handle Bracket
20	18810	Washer, Lock - 1/2"	48	75339	Control Arm Assembly
21	53034	Washer, Flat Steel .531-1.187 X .127	49	62336	Nut, Lock 3/8-16
22	74537	Remote Control Assembly (Incl. Ref. 123)	50	67510	Washer, Flat Steel .390-5/8 X .090
23	61159	Knob - Remote Control	51	74559	Decal-Enter and Exit
24	74534	Side Panel - R.H.	52	74557	Decal-Brake Instruction
25	74532	Side Panel - L.H.	53	68306	Decal-Clutch and Brake
26	68346	Screw, Self-Topping 1/4-20 X 3/4	54	74542	Idler Support Bracket
27	71949	Screw, Machine Hex Head 5/16-18 X 3/4	55	51630	Bolt, Carriage 5/16-18 X 3/4
28	52915	Washer, Flat Steel .328-1.125 X .063	56	74543	Idler Arm
			57	67665	Foot Pad
			58	67189	Foot Pedal Plate
			59	67613	Bolt, Carriage 5/16-18 X 3/4
			60	72384	Floor Board Pad

ROPER 32" REAR ENGINE RIDING LAWN MOWER ELECTRIC START 8.0 H.P. MODEL NUMBER K8327AR

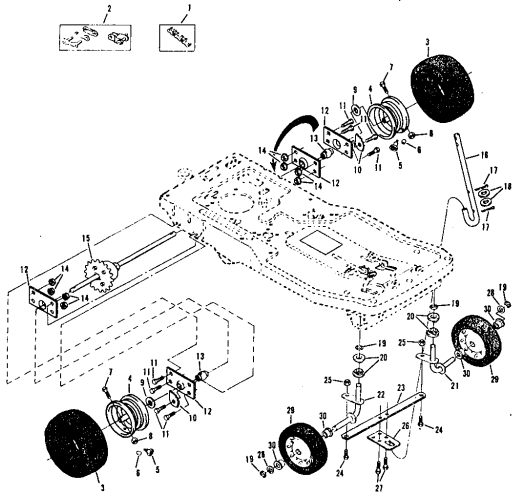


ROPER 32" REAR ENGINE RIDING LAWN MOWER ELECTRIC START 8.0 H.P. MODEL NUMBER K8327AR

Ref. No.	Part No.	Part Name	Ref. No.	Part No.	Part Name
1	70530	Tow Hitch - Eyebolt	24	72360	Foot Pedal Clamp
2	55615	Nut, Keps 3/8-16	25	54262	Screw, Machine Hex W/Washer 5/16-18 X 5/8
3	74514	Chassis Assembly	26	72387	Foot Pedal
4	74524	Number Plate	27	67174	Motion Idler
5	61000	Plastic Rivet	28	58855	Bolt, Shoulder (Special) 5/16-24
6	75264	Lever Arm Assembly	29	67725	Washer, Flat Steel .531-1 X .134
7	75265	Side Bracket	30	54928	Nut, Lock 5/16-24
8	55912	Screw, Hex Head 3/8-16 X 3/4	31	73275	Spring - Idler
9	51630	Screw, Hex Head 5/16-18 X 3/4	32	58018	Pulley - Idler
10	53748	Washer, Flat Steel .640-1 X .063	33	55918	Screw, Hex Head 3/8-16 X 1 1/2
11	52364	E-Ring 5/8 Shaft	34	51961	Nut, Hex Lock 3/8-16
12	54922	Nut, Keps 5/16-18	35	67346	V-Belt
13	74545	Parallel Bar	36	72357	Front Member Assembly
14	67394	Bolt, Shoulder 5/16-18 X 3/4	37	72375	Lifter Bracket
15	63124	Nut, Lock 5/16-18	38	74516	Ballcrank Bracket
16	72386	Brake Rod - Rear	39	63079	Bolt, Carriage 5/16-18 X 1
17	64284	Spring	40	74572	Drive Lock Pin Type B
18	2947	Cotter Pin - 3/4	41	74522	Ballcrank
19	62355	Spring	42	73446	Drive Lock Pin Type F
20	74527	Lifter Handle	43	68475	Bolt, Shoulder 5/16-18 X 3/4
21	72361	Parking Brake Rod			
22	63640	Cotter Pin - 3/4			
23	72393	Motion Clutch and Brake Rod			

IDLER PULLEY TO TRANSMISSION PULLEY TO TOP GROOVE OF ENGINE PULLEY

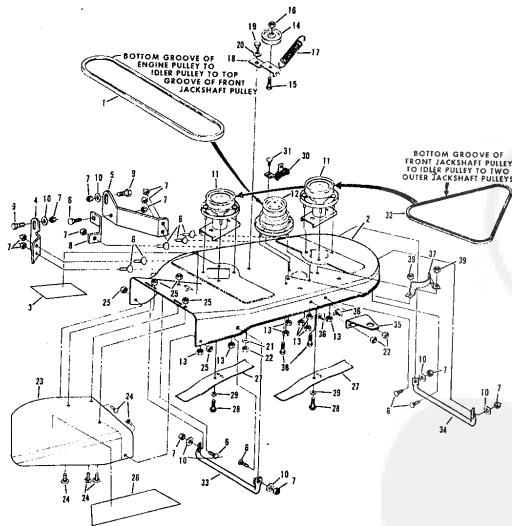
ROPER 32" REAR ENGINE RIDING LAWN MOWER ELECTRIC START 8.0 H.P. MODEL NUMBER K8327AR



ROPER 32" REAR ENGINE RIDING LAWN MOWER ELECTRIC START 8.0 H.P. MODEL NUMBER K8327AR

Ref. No.	Part No.	Part Name	Ref. No.	Part No.	Part Name
1	72818	Chain - 41 (82 Pitch)	17	2655	Cutter Pin - 1/8
2	60474	Repair Link Kit (Incl. Offset and Connecting Link)	18	57911	Washer, Flat Steel .640-1.250 X .063
3	70302	Tire - 13/8.00 X 4 (R.R.-L.R.)	19	53264	E-Ring 5/8 Shaft
4	70301	Rim (R.R.-L.R.)	20	71208	Bushing
5	65139	Valve Stem (R.R.-L.R.)	21	72401	Kingpin - L.H.
6	59192	Valve Cup (R.R.-L.R.)	22	72400	Kingpin - R.H.
7	67349	Bolt, Hex Head 5/16-18 X 1 5/8 (R.R.-L.R.)	23	73358	Tie Bar
8	67818	Nut, Lock 5/16-18 (R.R.-L.R.)	24	55855	Bolt, Shoulder (Special) 5/16-24 (R.F.-L.F.)
9	52966	Washer, Flat Steel .765-1.250 X .060 (R.R.-L.R.)	25	68990	Nut, Lock 5/16-24 (R.F.-L.F.)
10	67703	Chain Adjuster	26	72359	Steering Plate
11	51447	Screw, Hex Head 5/16-18 X 7/8 (R.R.-L.R.)	27	71063	Screw, Hex Head Thread Cutting 5/16-18 X 1/2
12	72382	Bearing Cup (R.R.-L.R.)	28	53848	Washer, Flat Steel .630-1 X .031
13	62346	Bearing (R.R.-L.R.)	29	67350	Wheel and Tire Assembly 10.50 X 3.50 (R.F.-L.F.) (Incl. Ref. #30)
14	54522	Nut, Keps 5/8-18 (R.R.-L.R.)			
15	73523	Differential Assembly (See Page 28)			
16	72547	Steering Shaft	30	64906	Bearing (R.F.-L.F.)

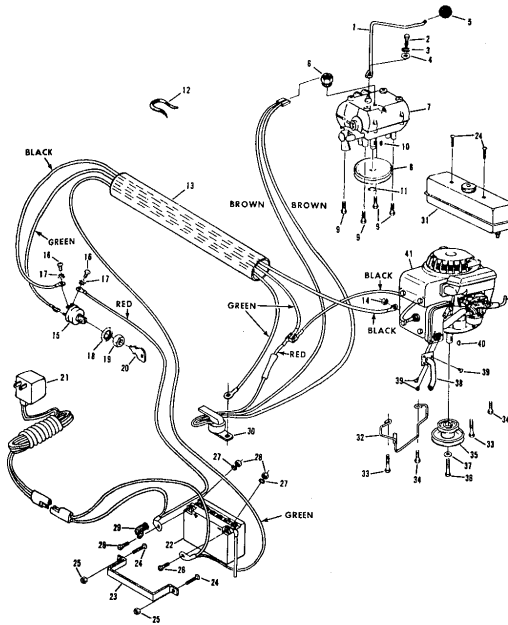
ROPER 32" REAR ENGINE RIDING LAWN MOWER ELECTRIC START 8.0 H.P. MODEL NUMBER K8327AR



ROPER 32" REAR ENGINE RIDING LAWN MOWER ELECTRIC START 8.0 H.P. MODEL NUMBER K8327AR

Ref. No.	Part No.	Part Name	Ref. No.	Part No.	Part Name
1	74212	V-Belt	20	67356	Washer, Flat Steel .630-1 X .050
2	79276	Housing W/Slit Screwing W/Decal (Incl. Ref. #3)	21	55611	Washer, Flat Steel .405-.860 X .172
3	75382	Decal - Housing	22	62336	Nut, Lock 3/8-16
4	74551	Housing Lifter - R.H.	23	71596	Discharge Guard
5	74552	Housing Lifter - L.H.	24	73383	Bolt, Carriage 1/4-20 X 5/8
6	59476	Bolt, Carriage 5/16-18 X 3/4	25	65001	Nut, Lock 1/4-20
7	63124	Nut, Lock 5/16-18	26	75085	Decal - Discharge Guard
8	74553	Strip	27	67405	Blade
9	58909	Bolt, Shoulder (Special) 5/16-18	28	67676	Screw, Machine Hex Head 3/8-24 X 7/8
10	50806	Washer, Flat Steel .328-.750 X .063	29	67354	Washer, Flat Steel .390-2.38 X .156
11	69542	Jackshaft Assembly - Driven	30	68107	Brake Assembly
12	69542	Jackshaft Assembly - Driver	31	73609	Bolt, Hex Head 3/8-16 X 5/8
13	55615	Nut, Keps 3/8-16	32	67398	V-Belt
14	67400	Idler Pulley	33	74548	Skid - R.H.
15	55918	Screw, Hex Head W/Lock Washer 3/8-16 X 1 1/2	34	74549	Skid - L.H.
16	51961	Nut, Lock 3/8-16	35	74550	Mower Support
17	67401	Spring	36	61306	Bolt, Carriage 3/8-16 X 3/4
18	67399	Idler Arm	37	67404	Bolt Knob
19	62361	Bolt, Shoulder (Special) 3/8-16	38	54982	Screw, Hex Head 5/16-18 X 3/4
			39	54922	Nut, Keps 5/16-18

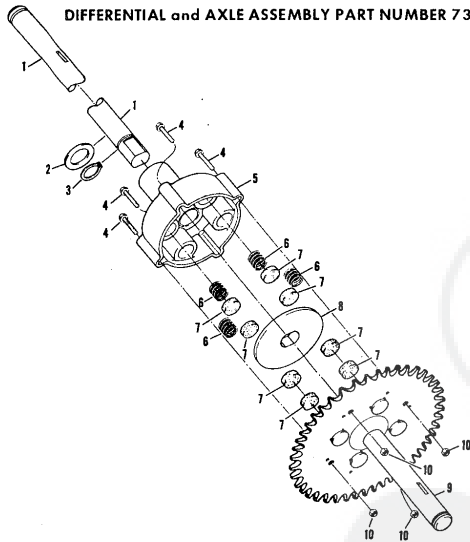
ROPER 32" REAR ENGINE RIDING LAWN MOWER ELECTRIC START 8.0 H.P. MODEL NUMBER K8327AR



ROPER 32" REAR ENGINE RIDING LAWN MOWER ELECTRIC START 8.0 H.P. MODEL NUMBER K8327AR

Ref. No.	Part No.	Part Name	Ref. No.	Part No.	Part Name
1	75266	Shift Lever	24	58609	Screw, Machine 1/4-20 X 5/8
2	75246	Bolt, Hex Head 1/4-28 X 1/2	25	63601	Nut, Lock 1/4-20
3	5081	Washer, Lock 1/4	26		Screw, Hex Head 1/4-20
4	53847	Washer, Flat Steel .265-.750 X .063	27		(Furnished With Battery Pack)
5	55862	Knob	28		Washer, Lock 1/4-20
6	74525	Switch - Transmission	29		(Furnished With Battery Pack)
7	794212	Knob	29	64422	Terminal Block
		Transmission Assembly Model 145-719 (See Pages 30 and 31)	30	74530	Switch - Relay Module
8	73541	Pulley - Transmission	31	74099	Fuel Tank
9	54262	Screw, Machine Hex Head 5/16-18 X 7/8	32	72392	Belt Keeper
10	58349	Key, Woodruff #9	33	74996	Screw, Thread Form 5/16-18 X 1
11	65302	Retainer Ring 5/8 Shaft	34	55187	Screw, Hex Head Topping 5/16-18 X 3/4
12	43174	Wire Tie	35	72388	Engine Pulley
13	74535	Wire Harness	36	68274	Screw, Machine 3/8-24 X 1 3/8
14	53490	Nut, Lock 1/4-20	37	62735	Washer, Flat Steel .375-1.250 X .201
15	72841	Ignition Switch (Incl. Ref. #16, 17, 18, 19, 20)	38	75063	Exhaust Tube
16	67756	Screw, #10-32 X .31	39	36462	Screw, #8 Type AB X 3/8
17	67757	Washer, Lock Internal Tooth #10	40	32859	Key, Woodruff #61
18	67758	Washer, Lock Internal Tooth 5/8	41		Engine Model-WM80-15010SD (Cummins Products Company) (8.0 H.P.)
19	67759	Nut, Hex 5/8-32		74569	Parts List - Owner's Manual
20	67760	Key Set (Pair)			
21	70452	Battery Charger			
22	70451	Battery Pack			
23	72706	Battery Strap			

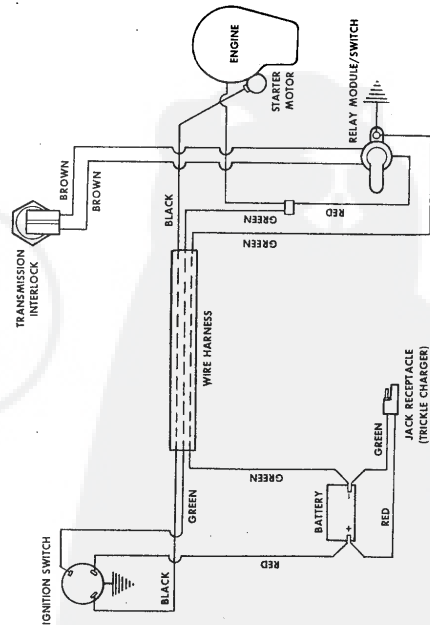
ROPER 32" REAR ENGINE RIDING LAWN MOWER ELECTRIC START 8.0 H.P. MODEL NUMBER K8327AR
DIFFERENTIAL and AXLE ASSEMBLY PART NUMBER 73523



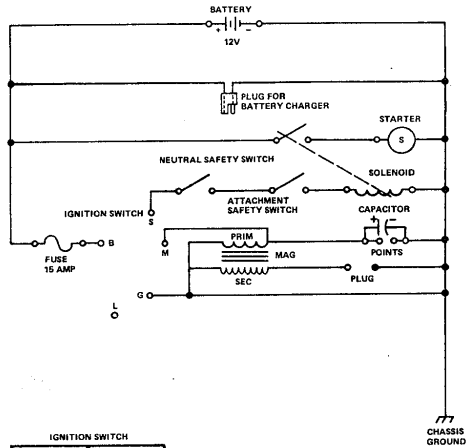
Ref. No.	Part No.	Part Name	Ref. No.	Part No.	Part Name
1	79099	Slip Axle	5	79022	Housing W/Bearings
2	78982	Washer, Thrust .751-1.250 X .0478	6	78979	Spring
3	35586	Retaining Ring	7	78978	Friction Block
4	79017	Screw, Machine Torx Washer Head 5/16-24 - 2	8	78976	Drive Disc
			9	79100	Fixed Axle Assembly
			10	79018	Nut, Lock 5/16-24

WIRING DIAGRAM

ROPER 32" REAR ENGINE RIDING LAWN MOWER ELECTRIC START 8.0 H.P. MODEL NUMBER K8327AR



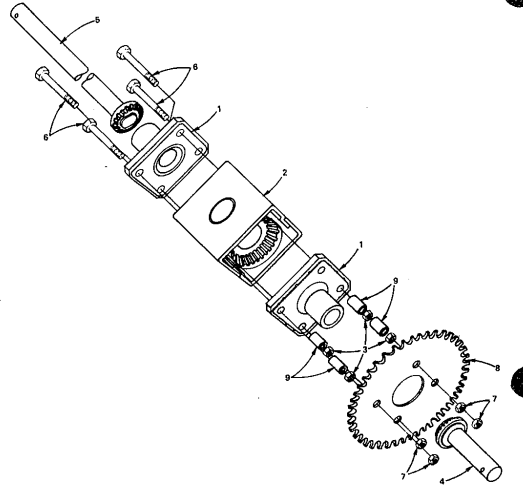
32" REAR ENGINE RIDING LAWN MOWER-MODEL NUMBER K8327BR
SCHEMATIC DIAGRAM



IGNITION SWITCH	
POSITION	CIRCUIT
OFF	M-G
ON	B-L
START	B-S

REPAIR PARTS

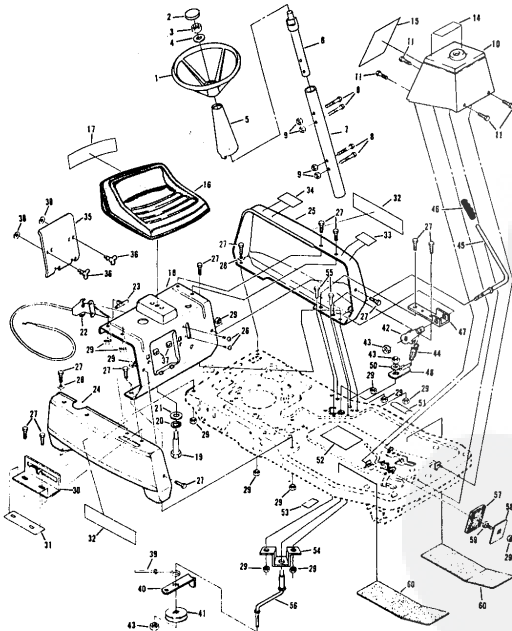
32" REAR ENGINE RIDING LAWN MOWER-MODEL NUMBER K8327BR
DIFFERENTIAL ASSEMBLY PART NUMBER 2112J



KEY NO.	PART NO.	DESCRIPTION
1	2308J	End Cap - Bearing Assembly
2	2305J	Transfer Gear Case Assembly
3	504P	Hex Nut - 5/16 - 18 UNC
4	2310J	Gear Shaft Assembly - Right
5	2311J	Gear Shaft Assembly - Left
6	338P	Hex Bolt (Plated) 5/16 - 18 x 4 - 1/2
7	575P	Locknut - Gripco 5/16 - 18 UNC (Plated)
8	2312J	Sprocket
9	2313J	Sprocket

REPAIR PARTS

32" REAR ENGINE RIDING LAWN MOWER-MODEL NUMBER K8327BR
STEERING AND ENCLOSURE GROUP



REPAIR PARTS

32" REAR ENGINE RIDING LAWN MOWER-MODEL NUMBER K8327BR
STEERING AND ENCLOSURE GROUP

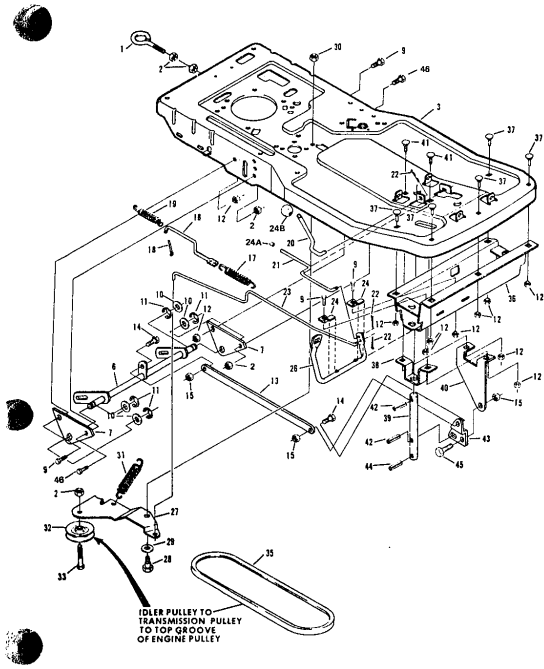
KEY NO.	PART NO.	DESCRIPTION	KEY NO.	PART NO.	DESCRIPTION
1	7456A	Steering Wheel	30	74531	Shifter Gate
2	1114J	Insert Cap	31	74560	Decal - Shift
3	588P	*Jam Nut 1/2 - 20 UNF	32	74601	Decal - Roper
4	1545P	Washer 17/32 x 1 x 16 Ga.	33	74501	Decal - Blade Control
5	72705	Steering Shaft Cover	34	74512	Decal - Engine Area
6	74505	Steering Shaft - Upper	35	72926	Battery Holder
7	74682	Steering Shaft Extension	36	73319	Wing Head Stud
8	3255P	*Bolt, Hex 1/4 - 20 x 1 - 1/4 G. 5	37	23220	Rescote
9	588P	Locknut with Washer Insert 1/4 - 20 UNC	38	73321	Split Ring
10	74523	Console Assembly	39	72987	Blade Brake Rod
11	3383P	Screw, Hex Thread Rolling 5/16 - 18 x 1/2	40	74544	Bolt Keeper
14	75122	Decal - Operating Instructions	41	53018	Inlet Pulley
15	74558	Decal - Instruction	42	74513	Spring Arm
16	1498J	Seat	43	545P	*Locknut - Gripco 3/8 - 16 UNC
17	75070	Decal - Seat	44	75045	Spring
18	74563	Front Panel	45	74538	Blade Clutch Lever
19	72639	Bolt, Shoulder 1/2 - 13 UNC	46	71246	Grip
20	1002P	*Lockwasher 1/2	47	74539	Handle Bracket
21	1625P	Washer 17/32 x 1 - 3/16 x 12 Ga.	48	75330	Control Arm Assembly
22	1544J	Throttle Control (See Key No. 23)	50	1638P	Washer 13/32 x 7/8 x 6 Ga.
23	61159	Knob - Remote Control	51	74559	Decal - Enter and Exit
24	74534	Side Panel - R.H.	52	74557	Decal - Brake Instruction
25	74532	Side Panel - L.H.	53	376J	Decal - Clutch and Brake
26	5547P	*Screw, Phillips Thuss Hd. Thread Cut 1/4 - 20 x 3/4	54	74542	Inlet Support Bracket
27	3386P	Screw, Hex Washer Hd. Machine 5/16 - 18 x 3/4	55	3010P	*Bolt, Hex 5/16 - 18 x 3/4
28	1625P	Washer 17/32 x 1 - 1/8 x 16 Ga.	56	74543	Inlet Arm
29	575P	*Locknut - Gripco 5/16 - 18 UNC	57	67265	Foot Pad
			58	67189	Foot Pedal Plate
			59	67613	Bolt, Carriage 5/16 - 18 x 3/4 Special
			60	72384	Floor Board Pad
			...	2086J	Fact and Warranty Tag
			...	2016J	Owner's Manual

*STANDARD HARDWARE - PURCHASE LOCALLY

REPAIR PARTS

32" REAR ENGINE RIDING LAWN MOWER-MODEL NUMBER K8327BR

CHASSIS



REPAIR PARTS

32" REAR ENGINE RIDING LAWN MOWER-MODEL NUMBER K8327BR

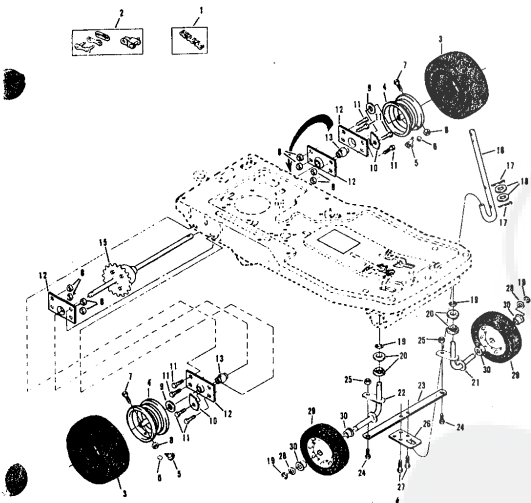
CHASSIS

KEY NO.	PART NO.	DESCRIPTION	KEY NO.	PART NO.	DESCRIPTION
1	70530	Tow Hitch - Eyebolt	26	72387	Foot P.d.t
2	545P	*Locknut, Gripco 3/8 - 16 UNC	27	67374	Motion Filter
3	74914	Chassis	28	59595	Bolt, Shoulder 5/16 - 24 x 1/2
6	75254	Lever Arm Assembly	29	1628P	Washer 17/32 x 1 1/2 x 10 Ga.
7	75265	Side Bracket	30	588P	Nut, Nylok 5/16 - 24 UNF
9	3010P	*Bolt, Hex 5/16 - 18 x 3/4	31	2044J	Spring - Idler
10	1588P	Washer 21/32 x 1 x 16 Ga.	32	63018	Pulley - Idler
11	5001P	E-Ring	33	6066P	Bolt, Hex with Sems Lockwasher 3/8 - 16 x 1 - 1/2 V-Bolt
12	563P	*Locknut, Gripco 5/16 - 18 UNC Gr. B	35	67346	Front Member Assembly
13	74545	Parallel Bar	36	72357	*Bolt, Carriage 5/16 - 18 x 3/4 Gr. 5
14	67394	Bolt, Shoulder 5/16 - 18 x 3/4	37	67P	Lifter Bracket
15	588P	Locknut, Nylok 5/16 - 18 UNC	38	72375	Housing Lifter
16	73798	Brake Rod - Rear	39	74516	Bolt, Carriage 5/16 - 18 x 1 Gr. 5
17	64284	Spring	40	74515	Ballcast Bracket
18	2003P	*Cotter Pin 3/32 x 3/4	41	68P	Drive Lock Pin - Type B
19	62755	Spring	42	74530	Drive Lock Pin - Type F
20	74521	Lifter Handle	43	74522	Beltcrank
21	72361	Parking Brake Rod	44	73446	Drive Lock Pin Type F
22	63560	Cotter Pin 5/64 x 3/8	45	68475	Bolt, Shoulder 5/16 - 18 x 3/4
23	72393	Motion Clutch and Brake Rod	46	3021P	Bolt, Hex 3/8 - 16 x 3/4
24	72350	Flange Cap			
24A	71823	Knob			
24B	55862	Knob			

REPAIR PARTS

32" REAR ENGINE RIDING LAWN MOWER-MODEL NUMBER K8327BR

WHEEL GROUP



REPAIR PARTS

32" REAR ENGINE RIDING LAWN MOWER-MODEL NUMBER K8327BR

WHEEL GROUP

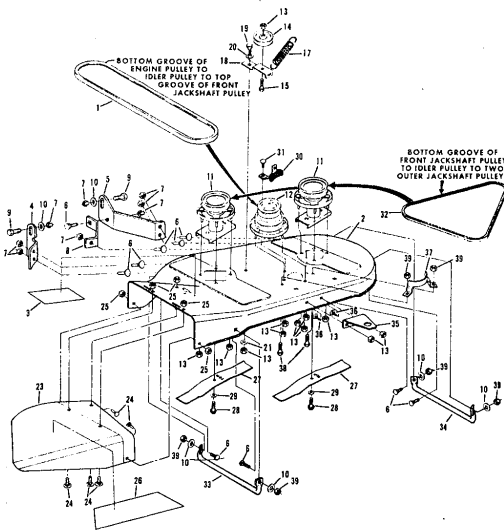
KEY NO.	PART NO.	DESCRIPTION	KEY NO.	PART NO.	DESCRIPTION
1	72818	Chain	16	72547	Steering Shaft
2	80474	Repair Link Kit (Inc. Offset and Connecting Link)	17	2506P	*Cotter Pin 1/8 x 1
3	70302	Tire 13 - 6.00 x 6	18	1628P	Washer 21/32 x 1 - 1/4 x 16 Ga.
4	70301	Rim - Rear	19	5001P	E-Ring
5	65138	Valve Stem	20	71208	Bearing
6	59192	Valve Cap	21	72401	Kingspin - L.H.
7	5385P	*Bolt, Hex 5/16 - 18 x 1 - 5/8 Gr. 5	22	72400	Kingspin - R.H.
8	653P	*Locknut, Gripco 5/16 - 18 UNC Gr. B	24	56855	Bolt, Shoulder - Special 5/16 - 24
9	1617P	Washer 25/32 x 1 - 1/4 x 16 Ga.	25	562P	Locknut, Hex with Washer Insert 5/16 - 24 UNF
10	67703	Chain Adjuster	26	72359	Steering Plate
11	6067P	Bolt, Hex with Sems Lockwasher 5/16 - 18 x 1	27	3390B	Screw, Thread Rolling 5/16 - 18 x 1/2
12	72382	Bearing Cup	28	1630P	Washer 21/32 x 1 x 21 Ga.
13	62346	Bearing	29	67350	Wheel and Tire Assembly 11.00 x 4.00 (Inc. Key No. 30)
15	2112J	Differential Assembly	30	64906	Bearing

*STANDARD HARDWARE - PURCHASE LOCALLY

REPAIR PARTS

32" REAR ENGINE RIDING LAWN MOWER-MODEL NUMBER K8327BR

MOWER



REPAIR PARTS

32" REAR ENGINE RIDING LAWN MOWER-MODEL NUMBER K8327BR

MOWER

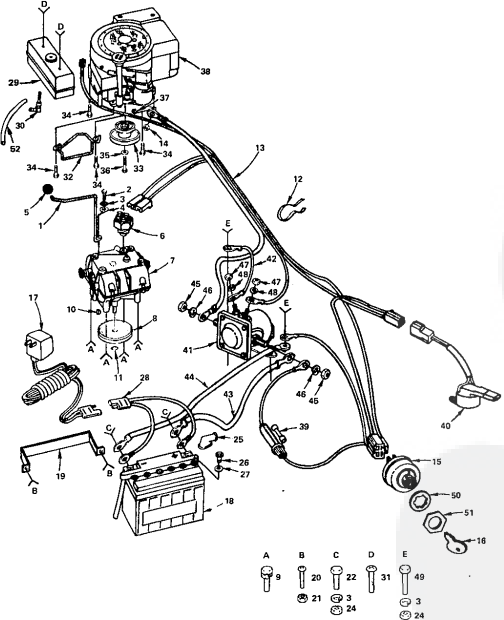
KEY NO.	PART NO.	DESCRIPTION	KEY NO.	PART NO.	DESCRIPTION
1	74212	V-Belt	21	1622P	Washer, 13/32 x 7/8 x 7 Ga.
2	75203	Housing with Silk Screening	22	71596	Discharge Guard
3	75382	Decal - Outer Head	24	70P	*Bolt, Carriage 1/4 - 20 x 3/4 Gr. 5
4	74551	Housing Lifter - R.H.	25	560P	Locknut, Gripco 1/4 - 20 UNC
5	74552	Housing Lifter - L.H.	26	75085	Decal - Discharge Guard
6	69P	*Bolt, Carriage 5/16 - 18 x 3/4 Gr. 5	27	67405	Blade
7	690P	Locknut, Nylon 5/16 - 18 UNC	28	6000P	Screw, Hex Machine w/Semis Lockwasher
8	74553	Strap	29	1631P	Nylon Patch 3/8 - 24 x 7/8 Gr. 5
9	56908	Bolt, Shoulder - Special	30	88107	Washer, 13/32 x 2 - 3/8 x 10 Ga.
10	59808	*Washer 11/32 x 3/4 x 16 Ga.	31	1631P	Brake Assembly
11	71633	Jackshaft Assembly - Driven	32	3021P	*Bolt, Hex 3/8 - 16 x 3/4
12	6925	Jackshaft Assembly - Driver	33	74548	V-Belt
13	545P	Locknut, Gripco 3/8 - 16 UNC	34	74548	Skid - R.H.
14	67400	Idler Pulley	35	74549	Skid - L.H.
15	6066P	Bolt, Hex with Semis Lockwasher 3/8 - 18 x 1 - 1/2	36	74550	Mower Support
16	67401	Spring	37	19P	*Bolt, Carriage 3/8 - 16 x 3/4
17	67389	Idler Arm	38	6052P	Screw, Hex Head with Semis Lockwasher 5/16 - 18 x 3/4
18	62361	Bolt, Shoulder - Special	39	553P	Locknut, Gripco 5/16 - 18 UNC
19	67356	Washer - Special			

*STANDARD HARDWARE-PURCHASE LOCALLY

REPAIR PARTS

32" REAR ENGINE RIDING LAWN MOWER-MODEL NUMBER K8327BR

ELECTRICAL



REPAIR PARTS

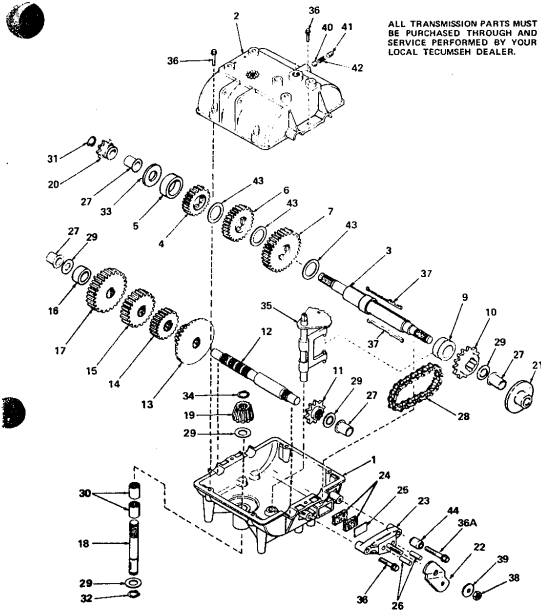
32" REAR ENGINE RIDING LAWN MOWER-MODEL NUMBER K8327BR

ELECTRICAL

KEY NO.	PART NO.	DESCRIPTION	KEY NO.	PART NO.	DESCRIPTION
28	600J	Charger Plug Assembly	29	742J	Fuel Tank
30	730J	Fuel Tank Elbow	31	3368P	Screw, Trans Hd. Phillips 1/4 - 20 x 5/8
32	677A201	Belt Keeper Assembly	32	2188J	Engine Pulley
33	2188J	Engine Pulley	34	5606P	Screw, Hex Hd. Thd. Rolling 3/8 - 18 x 1 - 1/2
35	1634P	Washer 3/8 x 1 - 1/4 x 7 Ga.	35	1634P	Screw, Hex Hd. w/Semis Lockwasher 3/8 - 24 x 1 - 3/8 Nylon Patch Gr. 5
36	6070P	Key, Woodruff No. 5	36	6070P	Engine, 8 H.P. Briggs & Stratton Type No. 564701
37	65053	Fuse - 30 Amp.	37	65053	Fuse - 30 Amp.
38	191705	Safety Switch	38	191705	Safety Switch
39	63478	Solenoid	41	7754R	Wire, Solenoid Ground
40	2053J	Wire, Solenoid Ground	42	8021R	Cable Assembly (Battery to Solenoid)
41	7754R	Wire, Solenoid Ground	43	663J	Cable Assembly (Battery to Ground)
42	8021R	Cable Assembly (Battery to Solenoid)	44	2058J	Nut, Hex 5/16 - 24 UNF
43	663J	Cable Assembly (Battery to Ground)	45	585P	Lockwasher 5/16
44	2058J	Nut, Hex 5/16 - 24 UNF	46	1007P	Nut, Hex No. 10 - 32
45	585P	Lockwasher 5/16	47	545P	Lockwasher No. 10
46	1007P	Nut, Hex No. 10 - 32	48	1006P	*Bolt, Hex 1/4 - 20 x 3/4
47	545P	Lockwasher No. 10	49	3003P	Lockwasher, Internal Tooth 5/8
48	1006P	*Bolt, Hex 1/4 - 20 x 3/4	50	67158	Nut 5/8 - 32 UNF
49	3003P	Lockwasher, Internal Tooth 5/8	51	67759	Fuel Line
50	67158	Nut 5/8 - 32 UNF	52	2316J	Fuel Line
51	67759	Fuel Line			
52	2316J	Fuel Line			

REPAIR PARTS

32" REAR ENGINE RIDING LAWN MOWER-MODEL NUMBER K8327BR
TRANSMISSION MODEL NUMBER 719A



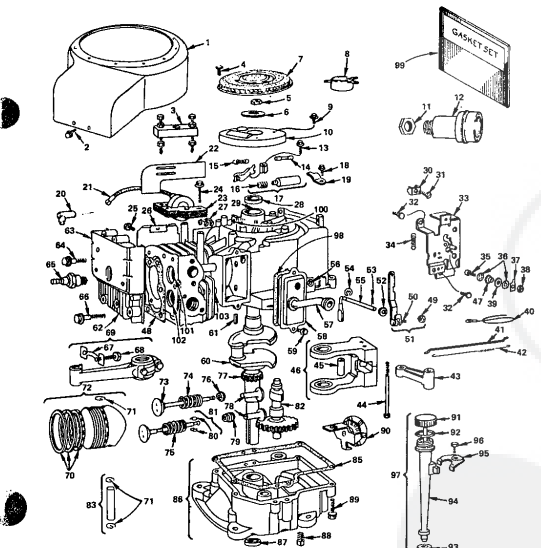
REPAIR PARTS

32" REAR ENGINE RIDING LAWN MOWER-MODEL NUMBER K8327BR
TRANSMISSION MODEL NUMBER 719A

KEY NO.	PART NO.	DESCRIPTION	KEY NO.	PART NO.	DESCRIPTION
1	794212A	Complete Transmission (719A)	25	39007	Plate, Brake pad
2	770061	Case, Transmission	26	78026	Pin, Dowel
3	775070	Shaft, Output and Brake	27	78005	Bushing, Flanged
4	776122	Gear, Spur (20 teeth)	28	76081	Chain, Roller (No. 41 chain, 24 links)
5	785027	Screw, Washer	29	780072	Race, Thrust
6	776123	Gear, Spur (25 teeth)	30	29106	Bearing, Needle
7	776124	Gear, Spur (30 teeth)	31	792072	Ring, Retaining
8	754706	Collar, Shaft	32	78006	Ring, Retaining
9	784706	Sprocket (18 teeth)	33	780109	Washer
10	784853	Sprocket (18 teeth)	34	788490	Ring, Retaining
11	785082	Sprocket (18 teeth)	35	784270	Hex Nut, Taprite, 1/4" x 20 x 1-1/4
12	776134	Shaft, Counter	36	782073	Screw, Hex hd, Taprite, 1/4" x 20 x 2-1/4
13	775109	Gear, Spur (42 tooth and 15 tooth spur gear)	36A	792085	Screw, Hex hd, Taprite, 1/4" x 20 x 2-1/4
14	776126	Gear, Spur (20 teeth)	37	792089A	Key
15	776127	Gear, Spur (25 teeth)	38	782075	Nut, 5/16" 24 lock
16	788071	Sprocket	39	792076	Washer, Flat, 5/16"
17	775129	Gear, Spur (30 teeth)	40	782077	Ball, Steel, 5/16"
18	776135	Shaft, Input	41	792078	Screw, Set, 5/16" 10 x 3/8
19	776133	Sprocket, Input	42	792079	Spring
20	786047	Sprocket (18 teeth)	43	780106	Washer, Thrust
21	795004	Link, Brake	44	786007	Sprocket
22	795005	Lever, Brake			
23	790005	Holder, Brake pad			
24	790006	Pad, Brake			

REPAIR PARTS

32" REAR ENGINE RIDING LAWN MOWER-MODEL NUMBER K8327BR
BRIGGS & STRATTON 8 H.P. ENGINE-MODEL NO. 191705, TYPE NO. 5647-01
CYLINDER, CRANKSHAFT AND ENGINE BASE GROUP



REPAIR PARTS

32" REAR ENGINE RIDING LAWN MOWER-MODEL NUMBER K8327BR
BRIGGS & STRATTON 8 H.P. ENGINE-MODEL NO. 191705, TYPE NO. 5647-01
CYLINDER, CRANKSHAFT AND ENGINE BASE GROUP

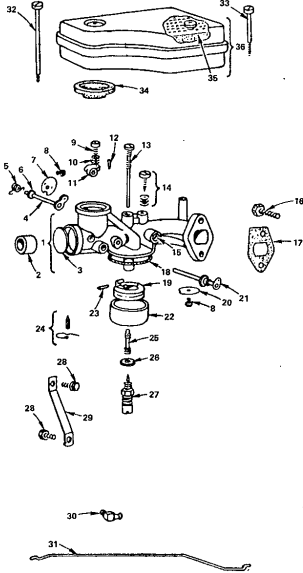
KEY NO.	PART NO.	DESCRIPTION	KEY NO.	PART NO.	DESCRIPTION
1	391379	Housing - Blower	61	61760	Key - Flywheel
2	93188	Screw - Set	62	21286	Cylinder Head
3	18165	Pin - Flywheel	63	222536	Cover - Cylinder Head
4	93895	Screw - Set	64	63211	Screw - 2, 21/32"
5	92284	Nut - Flywheel	65	282918	Spark Plug Resistor
6	220855	Washer - Spring	67	63222	Screw - 3"
7	222552	Screws - Flush Retaining	67	222114	Lock - Connecting Rod Screw
8	222551	Cup - Screen Mfg	68	82559	Screw - Connecting Rod
9	93705	Screw - Set	69	390402	Rod Ass'y - Connecting (Inc. Key No's. 67 & 68)
10	222117	Cover - Breaker Point	70	391669	RING SET - PISTON - Std.
11	91242	Locknut - Muffler	70	391669	.030 Oversize
12	393010	Muffler - Exhaust	71	391670	.030 Oversize
13	93381	Screw - Breaker Arm	72	391671	.030 Oversize
14	65704	Plunger - Breaker Point	72	391672	.030 Oversize
15	26018	Spring - Breaker Arm	73	68546	Lock - Piston Pin
16	260374	Spring - Connector	73	68546	Piston Ass'y. (Inc. Key No's. 70 & 71)
17	294028	Breaker Point & Condenser (Inc. Key No's. 15 & 16)	74	69096	.020 Oversize
18	93042	Screw - Set	74	69096	.030 Oversize
19	226477	Clamp - Condenser	75	26828	Intake Valve
20	65538	Elbow - Spark Plug	76	21528	Spring - Intake Valve
21	221798	Terminal - Ignition Cable	77	26195	Retainer - Intake Valve
22	221760	Guide - Air	78	260822	Retainer - Intake Valve
23	298968	Armature Ass'y.	79	262260	Retainer - Exhaust Valve
24	93391	Screw - Armature	80	93030	Retainer - Exhaust Valve
25	93183	Screw - Set	81	390419	Exhaust Valve (Inc. Key No. 80)
26	222836	Shaft - Cylinder	82	211689	Gear - Cam
27	221907	Clip - Wire	83	295640	Pin Ass'y. - Piston (Inc. Key No. 71)
28	294606	Oil Seal	85	27750	Pin Ass'y. - Piston (.005 Oversize)
29	393075	Cylinder Assembly	85	27750	Gasket - Crankcase Cover - 1/64" thick
30	221535	Clamp - Casing	86	27876	Gasket - Crankcase Cover - .005" thick
31	93496	Screw - Set	86	27877	Gasket - Crankcase Cover - .006" thick
32	93572	Screw	86	298616	Oil Sump (Inc. Key No's. 85 and 87)
33	390662	Plate - Governor Control	87	298423	Oil Seal
34	291306	Spring - Governor	88	91084	Plug - Oil Drain
35	91920	Screw - Terminal	89	93585	Screw - Set
36	92761	Lockwasher	90	392119	Oil Strainer - Governor
37	93722	Terminal - Speed	91	391840	Cap & Dipstick - Oil Filler
38	90576	Hex Nut No. 8, 32	92	27020	Seal - Filler Cap
39	66068	Washer - Insulating	93	68828	Seal - Filler Tube
40	299500	Wire - Ground	94	261133	Tube - Oil Filler
41	359911	Link - Governor	95	222402	Clamp - Oil Filler Tube
42	260584	Spring - Governor Link	96	93804	Screw - Clamp Mfg
43	212259	Link - Counterweight	97	392065	Filter Group - Oil (Inc. Key No's. 91, 92, 93, 94, 95 & 96)
44	93874	Screw - Counterweight	98	27802	Gasket - Valve Cover
45	286009	Pin - Counterweight	99	299577	Gasket Set
46	390172	Counterweight Ass'y.	100	22513	Bushing - Plunger
47	85554	Collar - Insulating	101	211681	Seal - Intake Valve (Std.)
48	279430	Gasket - Cylinder Head	102	211681	Seal - Exhaust Valve (Std.)
49	231082	Hex Nut No. 10, 24	102	211681	Seal - Exhaust Valve (Std.)
50	92613	Ball - Governor Lever	103	236665	Guide - Exhaust Valve
51	391733	Lever Ass'y. - Governor (Inc. Key No's. 49 & 50)			
52	222450	Washer - Governor Lever			
53	83308	Otter - Hair Pin			
54	93207	Retainer - O-Ring			
55	231058	Crank - Governor			
56	231055	Bushing - Governor Crank			
57	280025	Breaker Tube			
58	391405	Breather Ass'y.			
59	93536	Set Screw			
60	391577	Crankshaft			

ALL ENGINE PARTS MUST BE PURCHASED THROUGH AND SERVICE PERFORMED BY YOUR LOCAL BRIGGS AND STRATTON DEALER.

*INCLUDED IN GASKET SET 299577
SPARK ARRESTER ASSEMBLY (OPTIONAL)
391913 Spark Arrester
222537 Deflector
93705 Screw (H required)

REPAIR PARTS

32" REAR ENGINE RIDING LAWN MOWER-MODEL NUMBER K8327BR
BRIGGS & STRATTON 8 H.P. ENGINE-MODEL NO. 191705, TYPE NO. 5647-01
CARBURETOR NUMBER 390811



ALL ENGINE PARTS MUST BE PURCHASED THROUGH AND SERVICE PERFORMED BY YOUR LOCAL BRIGGS AND STRATTON DEALER.

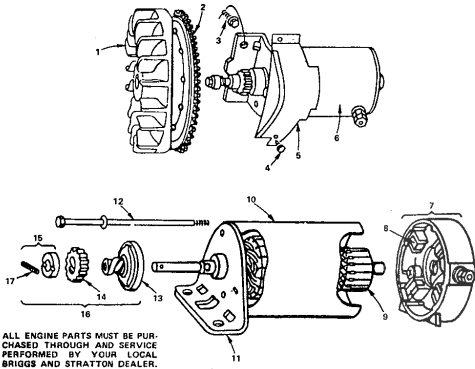
REPAIR PARTS

32" REAR ENGINE RIDING LAWN MOWER-MODEL NUMBER K8327BR
BRIGGS & STRATTON 8 H.P. ENGINE-MODEL NO. 191705, TYPE NO. 5647-01
CARBURETOR NUMBER 390811

KEY NO.	PART NO.	DESCRIPTION	KEY NO.	PART NO.	DESCRIPTION
1	209851	Body Ass'y. (Includes Key No. 3)	21	391512	Shaft & Lever - Throttle
2	211852	Venturi - Carburetor	22	221992	Bowl - Float
3	221997	*Plug - Welch	23	230806	*Pin - Float Hinge
4	390684	Shaft and Lever - Choke	24	390606	*Valve - Fuel Inlet
5	261116	Spring - Choke Return	25	230332	*Screw - Nozzle
6	270382	Washer - Choke Shaft	26	220214	*Washer - Float Bowl
7	220310	Valve - Choke	27	381235	*Valve - Needle
8	93499	Screw - Sem	28	93572	Screw
9	91920	Screw - Fil. Hd. Mach. No. 8 - 32 x 5/8	29	220237	Bracket - Carburetor
10	26157	Spring - Throttle Adjustment	30	67219	Connector - Fuel Pipe
11	211712	Stop - Throttle	31	261117	Link - Choke
12	93043	Pin - Throttle Stop	32	93323	Screw - Air Cleaner
13	299740	*Nozzle - Carburetor	33	93822	Screw - Air Cleaner
14	292681	*Valve Ass'y. - Carb. Idle	34	270539	Gasket - Air Cleaner
15	23108	Bushing - Throttle Shaft	35	270528	Element - Air Cleaner
16	93297	Screw - Carburetor Mtg.	36	391299	Air Cleaner Ass'y. (Inc. Key No. 35)
17	270824	*Gasket - Carburetor Mtg.	299852	299852	Carburetor Overhaul Kit (Inc. Parts Marked *)
18	260511	Float - Carburetor	390811	390811	Carburetor Assembly
19	299707	Valve - Throttle			
20	221986	Valve - Throttle			

REPAIR PARTS

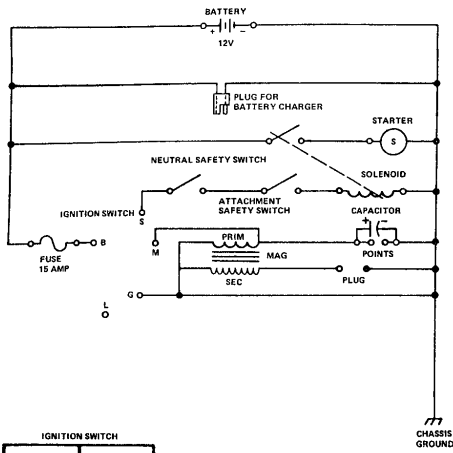
32" REAR ENGINE RIDING LAWN MOWER-MODEL NUMBER K8327BR
BRIGGS & STRATTON 8 H.P. ENGINE-MODEL NO. 191705, TYPE NO. 5647-01
FLYWHEEL AND STARTER MOTOR GROUP



ALL ENGINE PARTS MUST BE PURCHASED THROUGH AND SERVICE PERFORMED BY YOUR LOCAL BRIGGS AND STRATTON DEALER.

KEY NO.	PART NO.	DESCRIPTION
1	392034	Flywheel and Ring Gear Ass'y.
2	392134	Gear - Ring
3	93523	Screw - Sem
4	93410	Screw - Sem
5	390233	Cover & Shield - Starter
6	392749	Motor, Starter (Inc. Key No's. 7 thru 17)
7	392646	End Cap Ass'y., Commutator (Inc. Key No. 8)
8	391706	Brush Ass'y.
9	392747	Armature Ass'y.
10	392744	Housing Ass'y.
11	392061	End Cap Ass'y., Drive
12	391706	Thru Bolt Ass'y.
13	391195	Clutch Ass'y.
14	280104	Gear
15	391462	Retainer & Pin (Inc. Key No. 17)
16	391461	Drive Ass'y. (Inc. Key No's. 13, 14 & 15)
17	93754	Roll Pin

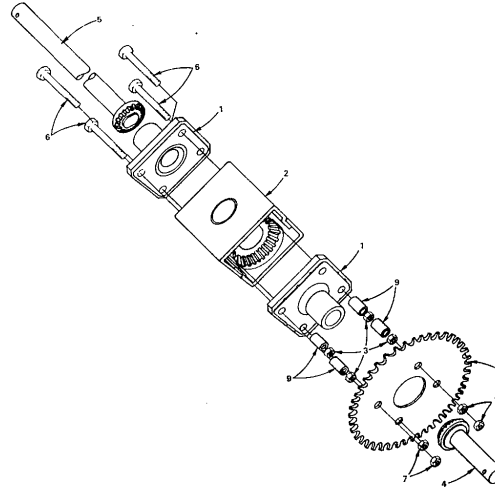
32" REAR ENGINE RIDING LAWN MOWER-MODEL NUMBER K8327CR
SCHEMATIC DIAGRAM



IGNITION SWITCH	
POSITION	CIRCUIT
OFF	M-G
ON	B-L
START	B-S

REPAIR PARTS

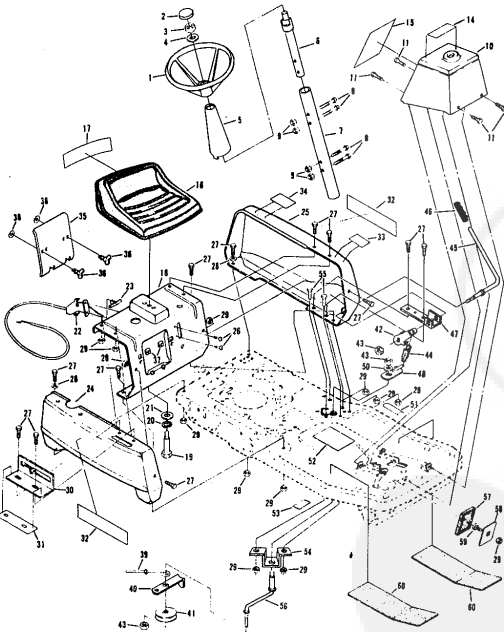
32" REAR ENGINE RIDING LAWN MOWER-MODEL NUMBER K8327CR
DIFFERENTIAL ASSEMBLY PART NUMBER 2112J



KEY NO.	PART NO.	DESCRIPTION
1	2308J	End Cap - Bearing Assembly
2	2308J	Transfer Gear Case Assembly
3	504P	Hex Nut - 5/16 - 18 UNC
4	2310J	Gear Shaft Assembly - Right
5	2311J	Gear Shaft Assembly - Left
6	3280P	Hex Bolt (Plated) 5/16 - 18 x 4 - 1/2
7	575P	Locknut - Gripco 5/16 - 18 UNC (Plated)
8	2312J	Sprocket
9	2313J	Spacer - Sprocket

REPAIR PARTS

32" REAR ENGINE RIDING LAWN MOWER-MODEL NUMBER K8327CR
STEERING AND ENCLOSURE GROUP



REPAIR PARTS

32" REAR ENGINE RIDING LAWN MOWER-MODEL NUMBER K8327CR
STEERING AND ENCLOSURE GROUP

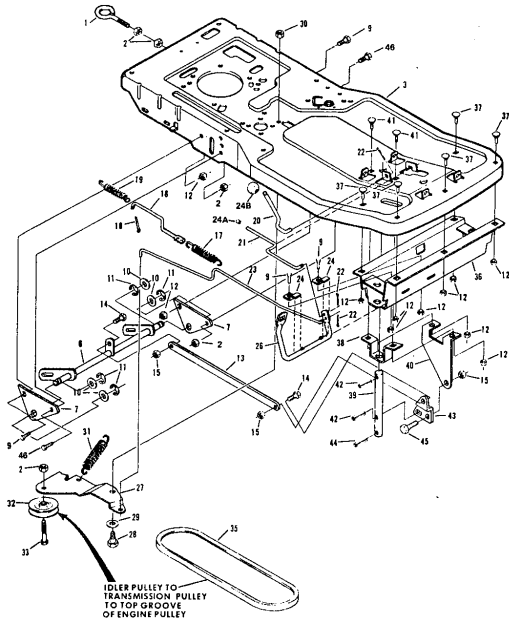
KEY NO.	PART NO.	DESCRIPTION	KEY NO.	PART NO.	DESCRIPTION
1	74564	Steering Wheel	30	74531	Shifter Gate
2	1114J	Insert Cap	31	74580	Decal - Shift
3	558P	*Jam Nut 1/2 - 20 UNF	32	74501	Decal - Roper
4	1549P	Washer 17/32 x 1 x 16 Ga.	33	74501	Decal - Blade Control
5	7270S	Steering Shaft Cover	34	74512	Decal - Engine Area
6	74556	Steering Shaft - Upper	35	7292B	Battery Holder
7	74562	Steering Shaft Extension	36	72319	Wing Head Stud
8	3255P	*Bolt, Hex 1/4 - 20 x 1 - 3/4 Gr. 5	37	73320	Recusacle
9	585P	Locknut with Washer Insert 1/4 - 20 UNC	38	73321	Suit Ring
10	74522	Console Assembly	39	72987	Blade Brake Rod
11	3390P	Screw, Hex Thread Rolling 5/16 - 18 x 1/2	40	74544	Belt Keeper
14	75122	Decal - Operating Instructions	41	52018	Idler Pulley
15	74558	Decal - Instruction	42	74613	Spring Arm
16	1405J	Seat	44	75045	Locknut - Gripco 3/8 - 16 UNC
17	75070	Decal - Seat	45	74538	Blade Clutch Lever
18	74963	Front Panel	46	71248	Grip
19	72638	Bolt, Shoulder 1/2 - 13 UNC (Inc. Key No. 23)	47	74539	Handle Bracket
20	1000P	*Lockwasher 1/2	48	75339	Control Arm Assembly
21	1625P	Washer 17/32 x 1 - 3/16 x 12 Ga.	50	1636P	Washer 13/32 x 7/8 x 6 Ga.
22	1544J	Throttle Control	51	74559	Decal - Enter and Exit
23	61159	*Screw, Phillips Truss Hd. Thread Cut 1/4 - 20 x 3/4	52	74557	Decal - Brake Instruction
24	74534	Side Panel - R.H.	53	376J	Decal - Clutch and Brake
25	74522	Side Panel - L.H.	54	74542	Idler Support Bracket
26	5547P	*Screw, Phillips Truss Hd. Thread Cut 1/4 - 20 x 3/4	55	3010P	*Bolt, Hex 5/16 - 18 x 3/4
27	3386P	Screw, Hex Washer Hd. Machine 5/16 - 18 x 3/4	56	74643	Idler Arm
28	1626P	Washer 17/32 x 1 - 1/8 x 16 Ga.	58	67189	Foot Pedal Plate
29	575P	*Locknut - Gripco 5/16 - 18 UNC	59	67613	Bolt, Carriage 5/16 - 18 x 3/4 Special
			60	72384	Floor Board Pad
				2079J	Owners Manual

STANDARD HARDWARE-PURCHASE LOCAL

REPAIR PARTS

32" REAR ENGINE RIDING LAWN MOWER-MODEL NUMBER K8327CR

CHASSIS



REPAIR PARTS

32" REAR ENGINE RIDING LAWN MOWER-MODEL NUMBER K8327CR

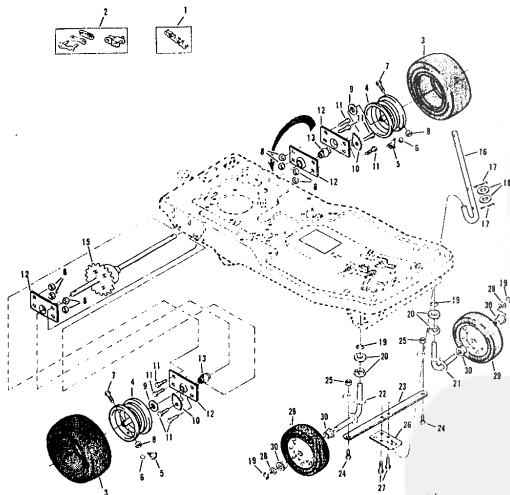
CHASSIS

KEY NO.	PART NO.	DESCRIPTION	KEY NO.	PART NO.	DESCRIPTION
1	70630	Tow Hitch - Eyebolt	28	72387	Foot Pedal
2	5469	*Locknut, Gripco 5/16 - 18 UNC	27	67114	Motion Idler
3	74514	Chassis	28	58855	Bolt, Shoulder 5/16 - 24 x 1/2
6	75284	Lever Arm Assembly	29	1828P	Washer 13/32 x 1 - 1/2 x 10 Ga.
7	75285	Sole Bracket	30	586P	Nut, Nylon 5/16 - 24 UNF
9	3010P	*Bolt, Hex 5/16 - 18 x 3/4	31	2044J	Spring - Idler
10	1580P	Washer 21/32 x 1 x 18 Ga.	32	53018	Pulley - Idler
11	5001P	E-Ring	33	6066P	Bolt, Hex with Sems Lockwasher 3/8 - 18 x 1 - 1/2
12	553P	*Locknut, Gripco 5/16 - 18 UNC Gr. B	35	67348	V-Belt
13	74545	Parallel Bar	36	72357	Front Member Assembly
14	67394	Bolt, Shoulder 5/16 - 18 x 3/4	37	67P	Bolt, Carriage 5/16 - 18 x 3/4 Gr. 5
15	580P	Locknut, Nylon 5/16 - 18 UNC	38	72375	Lifter Bracket
16	73798	Brake Rod - Rear	39	74516	Housing Lifter
17	64294	Spring	40	74515	Ballcrank Bracket
18	2503P	*Cotter Pin 3/32 x 3/4	41	68P	Bolt, Carriage 5/16 - 18 x 1 Gr. 5
19	82755	Spring	42	74576	Drive Lok Pin - Type B
20	74527	Lifter Handle	43	74522	Ballcrank
21	72361	Parking Brake Rod	44	24648	Drive Lok Pin Type F
22	53840	Cotter Pin 5/64 x 3/4	45	68475	Bolt, Shoulder 5/16 - 18 x 3/4
23	72383	Motion Clutch and Brake Rod	46	5021P	Bolt, Hex 5/16 - 18 x 3/4
24	72360	Foot Pedal Clamp			*STANDARD HARDWARE-PURCHASE LOCALLY
24A	71673	Plunger Cap			
24B	55862	Knob			

REPAIR PARTS

32" REAR ENGINE RIDING LAWN MOWER-MODEL NUMBER K8327CR

WHEEL GROUP



REPAIR PARTS

32" REAR ENGINE RIDING LAWN MOWER-MODEL NUMBER K8327CR

WHEEL GROUP

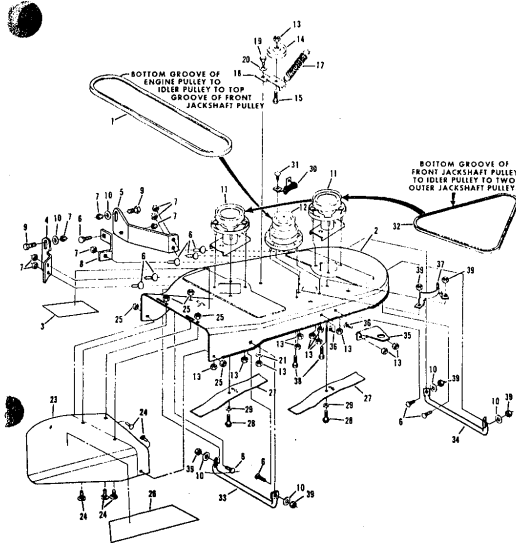
KEY NO.	PART NO.	DESCRIPTION	KEY NO.	PART NO.	DESCRIPTION
1	72818	Chain	18	72547	Steering Shaft
2	60474	Repair Link Kit (Inc. Offset and Connecting Links)	17	2506P	*Cotter Pin 1/8 x 1
3	70302	Tire 13 - 5.00 x 6	16	1623P	Washer 21/32 x 1 - 1/4 x 16 Ga.
4	70301	Rim - Rear	19	6001P	E-Ring
5	65129	Valve Stem	20	71208	Bearing
6	58132	Valve Cap	21	72401	Kingpin - L.H.
7	3395P	*Bolt, Hex 5/16 - 18 x 1 - 5/8 Gr. 5	22	72400	Kingpin - R.H.
8	553P	*Locknut, Gripco 5/16 - 18 UNC Gr. B	23	72358	Tie Bar
9	1617P	Washer 25/32 x 1 - 1/4 x 16 Ga.	24	58855	Bolt, Shoulder - Special 5/16 - 24
10	67703	Chain Adjuster	25	582P	Locknut, Hex with Washer Insert 5/16 - 24 UNF
11	6067P	*Bolt, Hex with Sems Lockwasher 5/16 - 18 x 1	26	72359	Steering Plate
12	72382	Bearing Cup	27	3393P	Screw, Thread Rolling 5/16 - 18 x 1/2
13	62348	Bearing	28	1830P	Washer 21/32 x 1 x 21 Ga.
15	2112J	Differential Assembly	29	67350	Wheel and Tire Assembly 11.00 x 4.00 (Inc. Key No. 30)
			30	64906	Bearing

*STANDARD HARDWARE-PURCHASE LOCALLY

REPAIR PARTS

32" REAR ENGINE RIDING LAWN MOWER—MODEL NUMBER K8327CR

MOWER



REPAIR PARTS

32" REAR ENGINE RIDING LAWN MOWER—MODEL NUMBER K8327CR

MOWER

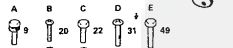
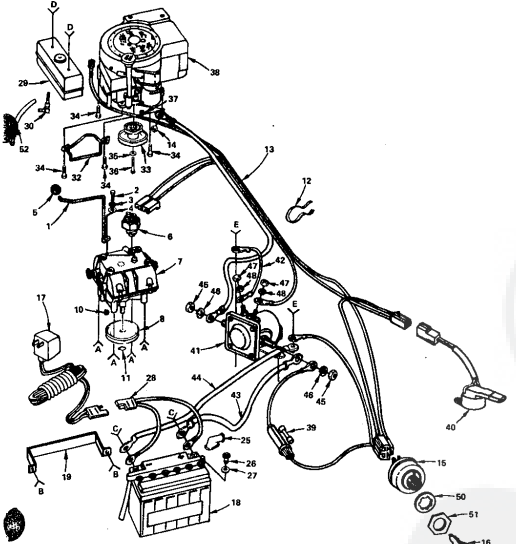
KEY NO.	PART NO.	DESCRIPTION	KEY NO.	PART NO.	DESCRIPTION
1	74212	V Belt	21	1622P	Washer, 13/32 x 7/8 x 7 Ga.
2	78293	Housing with Silk Screening	23	71596	Discharge Guard
3	76382	Decal - Cutter Head	24	70P	*Bolt, Carriage 1/4 - 20 x 3/4 Gr. 5
4	79521	Housing Lifter - R.H.	26	569P	Locknut, Gripco 1/4 - 20 UNC
5	74552	Housing Lifter - L.H.	28	75485	Decal - Discharge Guard
6	67P	*Bolt, Carriage 5/16 - 18 x 3/4 Gr. 5	27	67405	Blank
7	588P	Locknut, Nylon 5/16 - 18 UNC	28	6062P	Screw, Hex Machine w/Sems Lockwasher
8	74553	Strip	29	1631P	Nylon Patch 3/8 - 24 x 7/8 Gr. 5
9	5880B	Bolt, Shoulder - Special	30	88107	Washer 1/2 x 2 - 3/8 x 10 Ga.
10	50806	Washer 11/32 x 3/4 x 16 Ga.	31	5021P	Brake Assembly
11	71033	Jackshaft Assembly - Driver	32	67398	*Bolt, Hex 3/8 - 16 x 3/4
12	69522	Jackshaft Assembly - Driver	33	74548	V-Bolt
13	545P	Locknut, Gripco 3/8 - 16 UNC	34	74548	Skid - R.H.
14	67400	Idler Pulley	35	74550	Mower Support
15	6066P	Bolt, Hex with Sems Lockwasher 3/8 - 16 x 1 - 1/2	36	189P	*Bolt, Carriage 3/8 - 16 x 3/4
17	67401	Spring	37	67404	Bolt Snubber
18	67299	Idler Arm	38	6052P	Screw, Hex Head with Sems Lockwasher 5/16 - 18 x 3/4
19	62361	Bolt, Shoulder - Special	39	553P	Locknut, Gripco 5/16 - 18 UNC
20	67356	Washer - Special			

*STANDARD HARDWARE—PURCHASE LOCALLY

REPAIR PARTS

32" REAR ENGINE RIDING LAWN MOWER—MODEL NUMBER K8327CR

ELECTRICAL



REPAIR PARTS

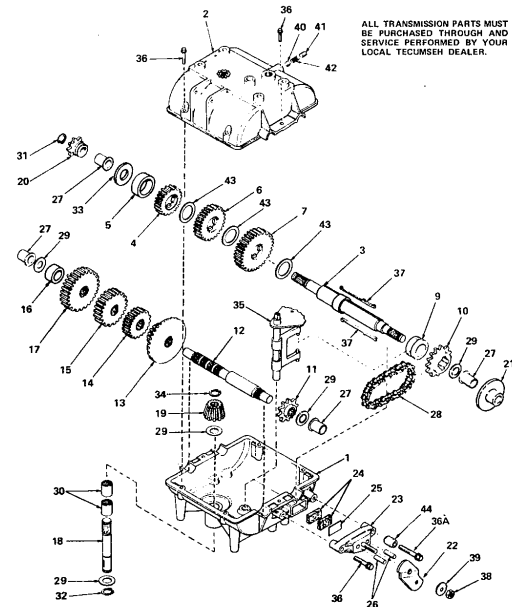
32" REAR ENGINE RIDING LAWN MOWER—MODEL NUMBER K8327CR

ELECTRICAL

KEY NO.	PART NO.	DESCRIPTION	KEY NO.	PART NO.	DESCRIPTION
1	75266	Shift Lever	28	600J	Charger Plug Assembly
2	3388P	Bolt, Hex 1/4 - 28 x 1/2 Gr. 5	29	742J	Fuel Tank
3	1600P	Lockwasher 1/4	30	739J	Fuel Tank Elbow
4	1507P	Washer 3/32 x 3/4 x 16 Ga.	31	3358P	Screw, Truss Hd, Phillips 1/4 - 20 x 5/8
5	55882	Knob	32	677A201	Belt Keeper Assembly
6	74525	Switch - Transmission	33	2186J	Engine Pulley
7	794212A	Transmission Assembly (719A)	34	6608P	Screw, Hex Hd, Trid. Rolling 3/8 - 16 x 1 - 1/2
8	72541	Pulley - Transmission	35	1634P	Washer 3/8 x 1 - 1/4 x 7 Ga.
9	6069P	Bolt w/Sems Lockwasher 5/16 - 18 x 5/8	36	6070P	Screw, Hex Hd, w/Sems Lockwasher 3/8 - 24 x 1 - 3/8 Nylon Patch Gr. 5
10	58349	Key, Woodruff No. 6	37	65053	Key, Woodruff No. 6
11	65302	Retaining Ring	38	191705	Engine, 8 H.P. Briggs & Stratton Type No. 6547-01
12	43174	Wire Tie	39	6347R	Fuse - 30 Amp.
13	2081J	Wire Harness	40	2083J	Safety Switch
14	53496	Locknut 1/4 - 20	41	7754R	Solenoid
15	4406H	Ignition Switch	42	8027R	Wire, Solenoid Ground
16	7552H	Key	43	686J	Cable Assembly (Battery to Solenoid)
17	7193P	Battery Charger	44	2086J	Cable Assembly (Battery to Ground)
18	70451	Battery Pack	45	889P	Nut, Hex 5/16 - 24 UNF
19	72708	Battery Strap	46	1007P	Lockwasher 5/16
20	3337P	Screw, Truss Hd, Phillips 1/4 - 20 x 1/2	47	549P	Nut, Hex No. 10 - 32
21	588P	Locknut, 1/4 - 20 UNC w/Washer Inset	48	1006P	Lockwasher No. 10
22	3114P	Screw, Hex Head 1/4 - 20 x 1/2 (Furnished w/Battery Pack)	49	3003P	Bolt, Hex 1/4 - 20 x 3/4
23	503P	Hex Nut 1/4 - 20	50	67758	Lockwasher, Internal Tooth 5/8
24	716J	Terminal Boot	51	67759	Nut 5/8 - 32 UNF
25	2233J	Cap - Battery	52	2316J	Fuel Line
26	2224J	Gasket - Battery			

REPAIR PARTS

32" REAR ENGINE RIDING LAWN MOWER-MODEL NUMBER K8327CR
TRANSMISSION MODEL NUMBER 719A



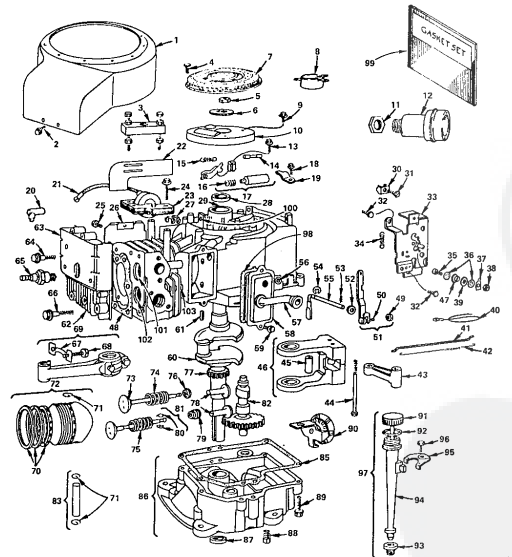
REPAIR PARTS

32" REAR ENGINE RIDING LAWN MOWER-MODEL NUMBER K8327CR
TRANSMISSION MODEL NUMBER 719A

KEY NO.	PART NO.	DESCRIPTION	KEY NO.	PART NO.	DESCRIPTION
1	794212A	Complete Transmission (719A)	25	790007	Plate, Brake pad
2	770081	Case, Transmission	26	780026	Pin, Dowel
3	772070	Cover, Transmission	27	780105	Bushing, Flanged
4	778162	Shaft, Output and Brake	28	780081	Chain, Roller (No. 41 chain, 24 links)
5	778121	Gear, Spur (25 teeth)	29	790072	Race, Thrust
6	786072	Spacer	30	780106	Bearing, Needle
7	778123	Gear, Spur (25 teeth)	31	792077	Ring, Retaining
8	778124	Gear, Spur (30 teeth)	32	792035	Ring, Retaining
9	784266	Collar, Shift	33	780109	Washer
10	786083	Sprocket (18 teeth)	34	788040	Ring, Retaining
11	786082	Sprocket (9 teeth)	35	784270	Rod & Fork Asy., Shift
12	778154	Shaft, Counter	36	792075	Screw, Hex hd. 1/40th, 1/4" - 20 x 1 - 1/4
13	778109	Gear, Bevel (42 tooth and 15 tooth spur gear)	36A	792085	Screw, Hex hd. 1/40th, 1/4" - 20 x 2 - 1/4
14	778126	Gear, Spur (20 teeth)	37	792089A	Key
15	778127	Gear, Spur (25 teeth)	38	792035	Nut, 5/16" - 24 lock
16	786071	Spacer	39	792076	Washer, Flat, 5/16"
17	778129	Gear, Spur (30 teeth)	40	792077	Ball, Steel, 5/16"
18	778135	Shaft, Input	41	792078	Screw, Set, 3/8" - 16 x 3/8
19	778113	Bevel pinion, input	42	792079	Spring
20	786047	Sprocket (8 teeth)	43	780108	Washer, Thrust
21	790003	Brake	44	780067	Spacer
22	790004	Lever, Brake			
23	790005	Hydro Brake pad			
24	790006	Pad, Brake			

REPAIR PARTS

32" REAR ENGINE RIDING LAWN MOWER-MODEL NUMBER K8327CR
BRIGGS & STRATTON 8 H.P. ENGINE-MODEL NO. 191705, TYPE NO. 5647-01
CYLINDER, CRANKSHAFT AND ENGINE BASE GROUP



REPAIR PARTS

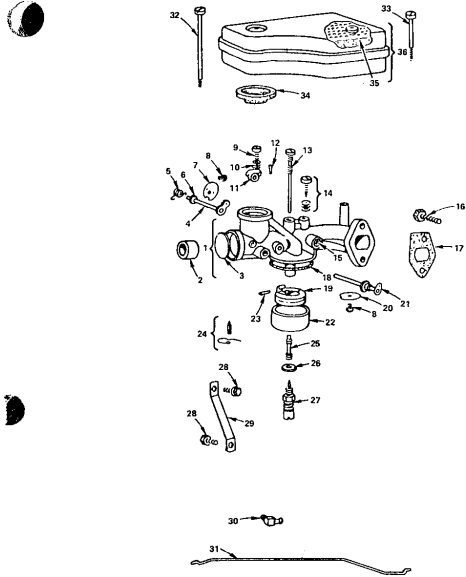
32" REAR ENGINE RIDING LAWN MOWER-MODEL NUMBER K8327CR
BRIGGS & STRATTON 8 H.P. ENGINE-MODEL NO. 191705, TYPE NO. 5647-01
CYLINDER, CRANKSHAFT AND ENGINE BASE GROUP

KEY NO.	PART NO.	DESCRIPTION	KEY NO.	PART NO.	DESCRIPTION
1	391379	Housing - Blower	61	61750	Key - Flywheel
2	93159	Screw - Sam	62	212286	Cylinder Head
3	19165	Puller - Flywheel	63	222636	Cover - Cylinder Head
4	83805	Screw - Sam	64	92211	Screw - 2" 21/32"
5	92284	Nut - Flywheel	65	293918	Spark Plug Resistor
6	220655	Washer - Spring	66	92723	Screw - 3"
7	222562	Screen - Flush Rotating	67	222114	Lock - Connecting Rod Screw
8	222581	Cup - Screen Mtg	68	90553	Rod - Connecting Rod
9	93702	Locknut - Muffler	69	904602	Rod Asy., Connecting (Inc. Key No's 67 & 68)
10	232117	Cover - Breaker Point	70	391669	RING SET - PISTON, Std.
11	91242	Locknut - Muffler	391670		.010 Oversize
12	933010	Muffler - Exhaust	391671		.020 Oversize
13	83381	Screw - Breaker Arm	391672		.030 Oversize
14	85704	Plunger - Breaker Point	71	68546	Lock - Piston Pin
15	26016	Spring - Breaker Arm	72	391613	Piston Asy., Inc. Key No's 70 & 71
16	260374	Spring - Connector	391674		.010 Oversize
17	294628	Breaker Points & Condenser (Inc. Key No's 15 & 16)	391675		.020 Oversize
18	93042	Screw - Sam	391676		.030 Oversize
19	220477	Clamp - Condenser	73	261055	Intake Valve
20	69538	Elbow - Spark Plug	74	69596	Spring - Intake Valve
21	221798	Terminal - Ignition Cable	75	26828	Spring - Exhaust Valve
22	221760	Guide - Asy.	76	221895	Retainer - Intake Valve
23	298968	Armature Asy.	77	261195	Gear - Timing
24	93381	Screw - Armature	78	260933	Tapet - Valve
25	93163	Screw - Sam	79	292260	Rotocoll - Exhaust Valve
26	222830	Shield - Cylinder	80	90303	Retainer - Exhaust Valve
27	221907	Clip - Wire	81	393419	Exhaust Valve (Inc. Key No. 80)
28	294606	Oil Seal	82	211689	Gear - Cam
29	393675	Cylinder Assembly	83	295640	Pin Asy., Piston (Inc. 2 each Key No. 71)
30	221535	Clamp - Casing	85	295641	Pin Asy., Piston, .005 Oversize
31	93496	Screw - Sam	86	27750	*Gasket - Crankcase Cover - 1/64" thick
32	92572	Plate - Governor Control	27876		Gasket - Crankcase Cover - .006" thick
33	390662	Spring - Governor	27877		Gasket - Crankcase Cover - .008" thick
34	261506	Screw - Terminal	86	298616	Oil Sump (Inc. Key No's 85 and 87)
35	91920	Screw - Terminal	87	298423	Oil Seal
36	92791	Lockwasher	88	01084	Plug - Oil Drain
37	93722	Terminal - Spade	89	93385	Screw - Sam
38	90576	Hex Nut No. 8 - 32	90	932718	Oil Slinger - Governor
39	96068	Washer - Insulating	91	391840	Cap & Dipstick - Oil Filter
40	299500	Wire - Ground	92	210920	Seal - Filler Cap
41	260871	Link - Governor	93	68838	Seal - Filler Tube
42	280584	Spring - Governor Link	94	260133	Tube - Oil Filter
43	212359	Link - Counterweight	95	225202	Clamp - Oil Filter Tube
44	59874	Pin - Counterweight	96	93804	Screw - Clamp Mtg.
45	298909	Counterweight Asy.	97	302086	Filter Group - Oil (Inc. Key No's 91, 92, 93, 94, 95 & 96)
46	390172	Collar - Insulating	98	27803	*Gasket - Valve Cover
47	66554	Collar - Insulating	99	298977	Gasket Set
48	270430	*Gasket - Cylinder Head	100	29512	Bushing - Plunger
49	231062	Hex Nut No. 10 - 24	101	211681	Seat - Intake Valve (Std.)
50	92613	Bolt - Governor Lever	102	211661	Seat - Exhaust Valve (Std.)
51	391733	Lever Asy., Governor (Inc. Key No's 49 & 50)	103	230656	Guide - Exhaust Valve
52	222450	Washer - Governor Lever			
53	93306	Dotter - Hair Pin			
54	93307	Retainer - E-Ring			
55	211058	Crank - Governor			
56	231055	Bushing - Governor Crank			
57	260005	Breather Tube			
58	391408	Breather Asy.			
59	93536	Sims Screw			
60	391757	Crankshaft			

*INCLUDED IN GASKET SET 299577
SPARK ARRESTER ASSEMBLY (OPTIONAL)
Spark Arrester
225237
Deflector
93705 Screw (4 required)

REPAIR PARTS

32" REAR ENGINE RIDING LAWN MOWER - MODEL NUMBER K8327CR
BRIGGS & STRATTON 8 H.P. ENGINE - MODEL NO. 191705, TYPE NO. 5647-01
CARBURETOR NUMBER 390811



ALL ENGINE PARTS MUST BE PURCHASED THROUGH AND SERVICE PERFORMED BY YOUR LOCAL BRIGGS AND STRATTON DEALER.

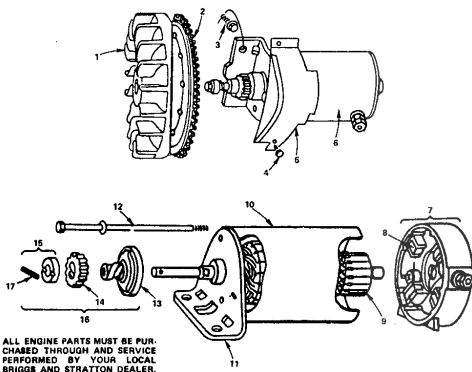
REPAIR PARTS

32" REAR ENGINE RIDING LAWN MOWER - MODEL NUMBER K8327CR
BRIGGS & STRATTON 8 H.P. ENGINE - MODEL NO. 191705, TYPE NO. 5647-01
CARBURETOR NUMBER 390811

KEY NO.	PART NO.	DESCRIPTION	KEY NO.	PART NO.	DESCRIPTION
1	299851	Body Ass'y. (Includes Key No. 3)	21	391512	Shaft & Lever - Throttle
2	211682	Venturi - Carburetor	22	221995	Bowl - Float
3	221997	*Plug - Wash	23	220886	*Pin - Float Hinge
4	350584	Shaft and Lever - Choke	24	299096	*Valve - Fuel Inlet
5	261116	Spring - Choke Return	25	230952	*Screw - Nozzle
6	270382	Washer - Choke Shaft	26	222014	*Washer - Float Bowl
7	222010	Valve - Choke	27	391233	*Valve - Nozzle
8	93499	Screw - Sem	28	93679	Screw
9	91920	Screw - Fil. Hd. Mach. No. B - 32 x 5/8	29	222027	Bracket - Carburetor
10	26157	Spring - Throttle Adjustment	30	61218	Connector - Fuel Pipe
11	211712	Stop - Throttle	31	261117	Link - Choke
12	93643	Pin - Throttle Stop	32	93323	Screw - Air Cleaner
13	259460	*Nozzle - Carburetor	33	93022	Screw - Air Cleaner
14	292681	*Valve Ass'y. - Carb. Idle	34	270539	Gasket - Air Cleaner
15	23108	Bushing - Throttle Shaft	35	270536	Element - Air Cleaner
16	93357	Screw - Carburetor Mfg.	36	391593	Air Cleaner Ass'y. (Inc. Key No 35)
17	270824	*Gasket - Carburetor Mfg.		299852	Carburetor Overhaul Kit (Inc. Parts Marked *)
18	270511	*Gasket - Float Bowl	390811		Carburetor Assembly
19	289107	Float - Carburetor			
20	221985	Valve - Throttle			

REPAIR PARTS

32" REAR ENGINE RIDING LAWN MOWER - MODEL NUMBER K8327CR
BRIGGS & STRATTON 8 H.P. ENGINE - MODEL NO. 191705, TYPE NO. 5647-01
FLYWHEEL AND STARTER MOTOR GROUP

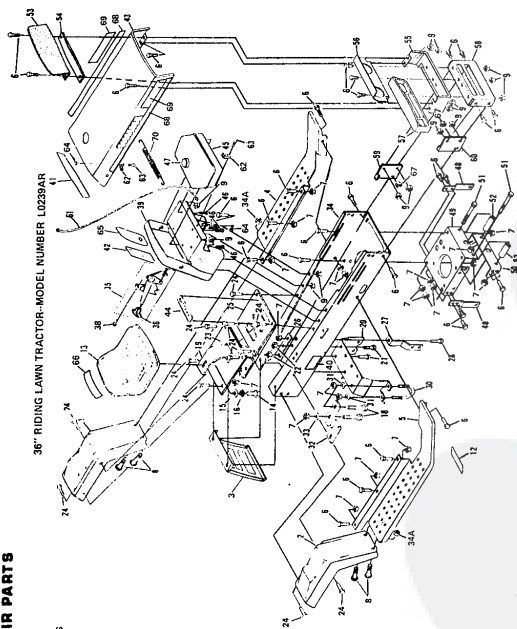


ALL ENGINE PARTS MUST BE PURCHASED THROUGH AND SERVICE PERFORMED BY YOUR LOCAL BRIGGS AND STRATTON DEALER.

KEY NO.	PART NO.	DESCRIPTION
1	392034	Flywheel and Ring Gear Ass'y.
2	392134	Gear - Ring
3	93823	Screw - Sem
4	93410	Screw - Sem
5	390233	Cover & Shield - Starter Motor, Starter (Inc. Key No's. 7 thru 17)
6	392749	End Cap Ass'y. Commutator (Inc. Key No. 8)
7	390846	Brush Ass'y.
8	391705	Armature Ass'y.
9	392747	Housing Ass'y.
10	392744	End Cap Ass'y. Drive
11	392061	Thru Bolt Ass'y.
12	391706	Clutch Ass'y.
13	391136	Gear
14	280104	Retainer & Pin (Inc. Key No. 17)
15	391462	Drive Ass'y. (Inc. Key No's. 13, 14 & 15)
16	391461	Roll Pin
17	93754	

REPAIR PARTS

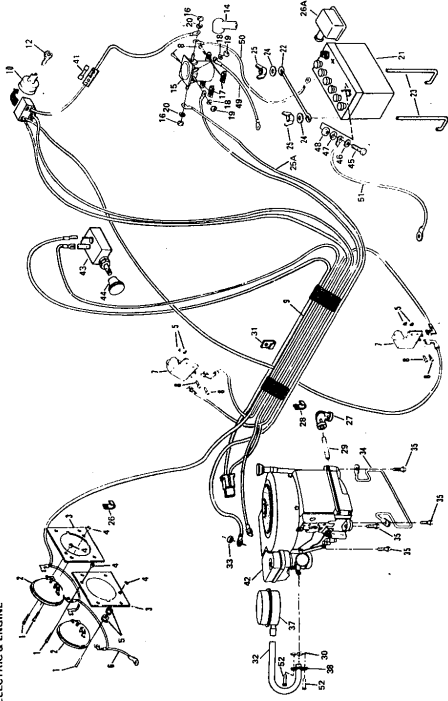
CHASSIS



36" RIDING LAWN TRACTOR—MODEL NUMBER L0238AR

REPAIR PARTS

ELECTRIC & ENGINE



36" RIDING LAWN TRACTOR—MODEL NUMBER L0238AR

REPAIR PARTS

CHASSIS

KEY NO.	PART NO.	DESCRIPTION
2	200J	Front L. H.
3	1388J	Rear Cover, L.H.
4	1389J	Rear Cover, R.H.
5	1540J	Foot Rest, R.H.
6	2010P	Seat, Hex Head 5/16" - 18 x 3/4"
7	2010P	Seat, Hex Head 5/16" - 18 x 1/2"
8	2008P	Seat, Hex Head 5/16" - 18 x 1/2"
9	2009P	Seat, Hex Head 5/16" - 18 x 1/2"
10	2011P	Seat, Hex Head 5/16" - 18 x 1/2"
11	2012P	Seat, Hex Head 5/16" - 18 x 1/2"
12	2013P	Seat, Hex Head 5/16" - 18 x 1/2"
13	1095J	Washer 1/2" x 1/4" - 13 x 1"
14	1096J	Washer 1/2" x 1/4" - 13 x 1"
15	1097J	Washer 1/2" x 1/4" - 13 x 1"
16	1098J	Washer 1/2" x 1/4" - 13 x 1"
17	1099J	Washer 1/2" x 1/4" - 13 x 1"
18	2012P	Seat, Hex Head 5/16" - 18 x 1/2"
19	2013P	Seat, Hex Head 5/16" - 18 x 1/2"
20	2014P	Seat, Hex Head 5/16" - 18 x 1/2"
21	2015P	Seat, Hex Head 5/16" - 18 x 1/2"
22	2016P	Seat, Hex Head 5/16" - 18 x 1/2"
23	1790J	Washer 1/2" x 1/4" - 13 x 1"
24	6712P	Washer 1/2" x 1/4" - 13 x 1"
25	6713P	Washer 1/2" x 1/4" - 13 x 1"
26	6714P	Washer 1/2" x 1/4" - 13 x 1"
27	2118B	Washer 3/8" x 1/4" - 18 x 1"
28	2119B	Washer 3/8" x 1/4" - 18 x 1"
29	2120B	Washer 3/8" x 1/4" - 18 x 1"
30	2121B	Washer 3/8" x 1/4" - 18 x 1"
31	1809P	Washer 3/8" x 1/4" - 18 x 1"
32	1610P	Washer 3/8" x 1/4" - 18 x 1"
33	1611P	Washer 3/8" x 1/4" - 18 x 1"
34	2352P	Washer 3/8" x 1/4" - 18 x 1"
35	1544J	Front L. H.
36	6119B	Knob - Remote Control
37	6452R	Screw, Hex Washer Hd, Thd. Contnls 1/4" - 20 x 1/2"
38	6452R	Screw, Hex Washer Hd, Thd. Contnls 1/4" - 20 x 1/2"
39	6774J	Dash Assy, Inc. Key No. 8 and 2 inch Key No. 3, Page 21
40	6517J	Headlight Support
41	6517J	Headlight Support
42	6517J	Headlight Support
43	7150J	Headlight Support
44	7430T	Battery Cap
45	6547P	Bracket
46	6547P	Bracket
47	7115B	Bracket
48	7115B	Bracket
49	1839J	Engine Base
50	2271P	Headlight Support
51	2271P	Headlight Support
52	7193J	Headlight Support
53	2054J	Bracket
54	2054J	Bracket
55	7191B	Headlight Support
56	7191B	Headlight Support
57	2002J	Lower Grill Frame
58	2002J	Lower Grill Frame
59	2002J	Lower Grill Frame
60	2002J	Lower Grill Frame
61	2002J	Lower Grill Frame
62	2002J	Lower Grill Frame
63	2002P	Lower Grill Frame
64	6817P	Washer 3/8" x 1/4" - 18 x 1"
65	6817P	Washer 3/8" x 1/4" - 18 x 1"
66	245J	Decal - Side Back
67	245J	Decal - Side Back
68	2217J	Decal - Hood Storage
69	2217J	Decal - Hood Storage
70	7292J	Spring

*STANDARD HARDWARE—PURCHASE LOCALLY

REPAIR PARTS

ELECTRIC & ENGINE

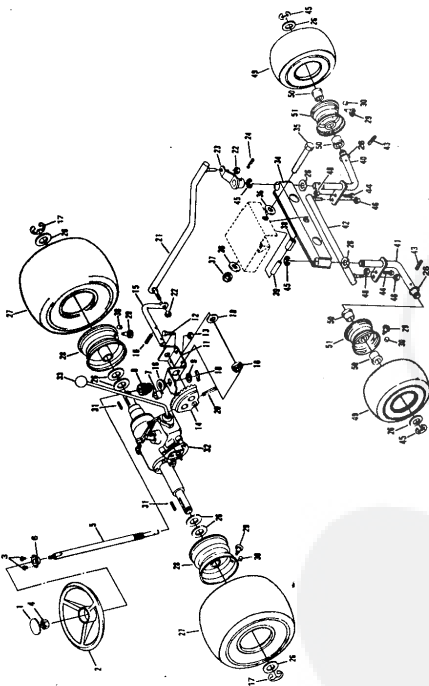
KEY NO.	PART NO.	DESCRIPTION
1	3228P	Screw, Machine Truss Head
2	6452R	Screw, Hex Washer Hd, Thd. Contnls 1/4" - 20 x 1/2"
3	7307S	Headlight Support
4	7307S	Headlight Support
5	5617P	Headlight Support
6	7145B	Headlight Support
7	7145B	Headlight Support
8	3356P	Screw, Machine Phillips Head
9	1797J	Ignition Switch (Inc. Ref No. 12)
10	6452R	Screw, Hex Washer Hd, Thd. Contnls 1/4" - 20 x 1/2"
11	7194J	Terminal Cover
12	7194J	Terminal Cover
13	5384P	Headlight Support
14	5384P	Headlight Support
15	5384P	Headlight Support
16	5384P	Headlight Support
17	1008P	Headlight Support
18	5437P	Headlight Support
19	5437P	Headlight Support
20	2281	Battery Box
21	2281	Battery Box
22	10456	Battery Box
23	10456	Battery Box
24	10456	Battery Box
25	10456	Battery Box
26	10456	Battery Box
27	10456	Battery Box
28	10456	Battery Box
29	10456	Battery Box
30	10456	Battery Box
31	10456	Battery Box
32	10456	Battery Box
33	10456	Battery Box
34	10456	Battery Box
35	10456	Battery Box
36	10456	Battery Box
37	67748B	Washer 3/8" x 1/4" - 18 x 1"
38	67748B	Washer 3/8" x 1/4" - 18 x 1"
39	67748B	Washer 3/8" x 1/4" - 18 x 1"
40	67748B	Washer 3/8" x 1/4" - 18 x 1"
41	67748B	Washer 3/8" x 1/4" - 18 x 1"
42	22070T	Washer 3/8" x 1/4" - 18 x 1"
43	7769R	Engine, Briggs and Stratton 10 H.P.
44	2002R	Light Switch
45	2002R	Light Switch
46	1006P	Headlight Support
47	1006P	Headlight Support
48	1006P	Headlight Support
49	1006P	Headlight Support
50	1006P	Headlight Support
51	1006P	Headlight Support
52	1006P	Headlight Support
53	1006P	Headlight Support
54	1006P	Headlight Support
55	1006P	Headlight Support
56	1006P	Headlight Support
57	1006P	Headlight Support
58	1006P	Headlight Support
59	1006P	Headlight Support
60	1006P	Headlight Support
61	1006P	Headlight Support
62	1006P	Headlight Support
63	1006P	Headlight Support
64	1006P	Headlight Support
65	1006P	Headlight Support
66	1006P	Headlight Support
67	1006P	Headlight Support
68	1006P	Headlight Support
69	1006P	Headlight Support
70	1006P	Headlight Support
71	1006P	Headlight Support
72	1006P	Headlight Support
73	1006P	Headlight Support
74	1006P	Headlight Support
75	1006P	Headlight Support
76	1006P	Headlight Support
77	1006P	Headlight Support
78	1006P	Headlight Support
79	1006P	Headlight Support
80	1006P	Headlight Support
81	1006P	Headlight Support
82	1006P	Headlight Support
83	1006P	Headlight Support
84	1006P	Headlight Support
85	1006P	Headlight Support
86	1006P	Headlight Support
87	1006P	Headlight Support
88	1006P	Headlight Support
89	1006P	Headlight Support
90	1006P	Headlight Support
91	1006P	Headlight Support
92	1006P	Headlight Support
93	1006P	Headlight Support
94	1006P	Headlight Support
95	1006P	Headlight Support
96	1006P	Headlight Support
97	1006P	Headlight Support
98	1006P	Headlight Support
99	1006P	Headlight Support
100	1006P	Headlight Support

*STANDARD HARDWARE—PURCHASE LOCALLY

OPTIONAL EQUIPMENT
Spark Arrestor Muller LA248R

REPAIR PARTS

STEERING AND WHEELS



36" RIDING LAWN TRACTOR—MODEL NUMBER L0289AR

REPAIR PARTS

STEERING AND WHEELS

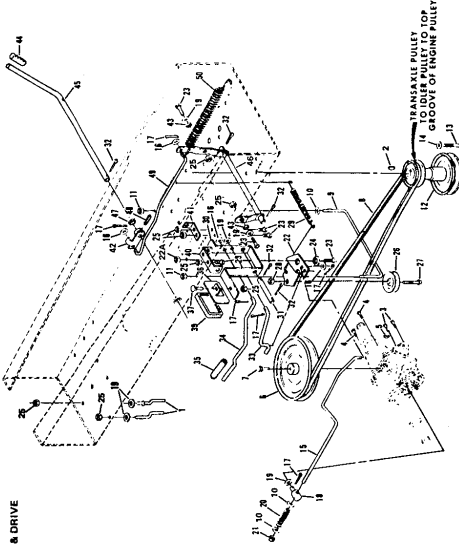
KEY NO.	PART NO.	DESCRIPTION
1	1114J	Steering Wheel Inset
2	506J	Steering Wheel, 9 1/2" Metal Screw
3	5014P	Hub, 1 1/2" Top All Ball
4	794191A	Transaxle Assembly Model 143.058A
5	1585J	Nut, Hex Head 5/16" x 1 1/2"
6	1585J	Bushing
7	1585J	Pinion Gear
8	74881	Pinion Gear, 1 1/2" x 1 1/2" x 1 1/2" Ga.
9	74881	Steering Bracket, 1 1/2" x 1 1/2" x 3/4"
10	52379	Steering Pin, 3/16" x 18" x 3/4"
11	74577	Steering Bracket, 1 1/2" x 1 1/2" x 1 1/2" Ga.
12	74577	Steering Bracket, 1 1/2" x 1 1/2" x 1 1/2" Ga.
13	579P	Nut, Lock 5/16" - 18 UNC
14	1818P	Steering Rod
15	1326J	Steering Rod
16	71208	Bushing
17	71208	Bushing
18	73446	Washer, 21/32" x 1 1/4" x 13 Ga.
19	73446	Washer, 21/32" x 1 1/4" x 13 Ga.
20	73446	Washer, 21/32" x 1 1/4" x 13 Ga.
21	71219	Drag Link, 3/8" x 24" UNF
22	71219	Drag Link, 3/8" x 24" UNF
23	71185	Steering Arm Assembly
24	5522P	Washer, 7/32" x 1 1/4" x 16 Ga.
25	5522P	Washer, 7/32" x 1 1/4" x 16 Ga.
26	5522P	Washer, 7/32" x 1 1/4" x 16 Ga.
27	71652	Tire (18.00" 8.00" x 8)
28	71652	Tire

* STANDARD HARDWARE—PURCHASE LOCALLY

REPAIR PARTS

CLUTCH-BRAKE & DRIVE

36" RIDING LAWN TRACTOR—MODEL NUMBER L0289AR



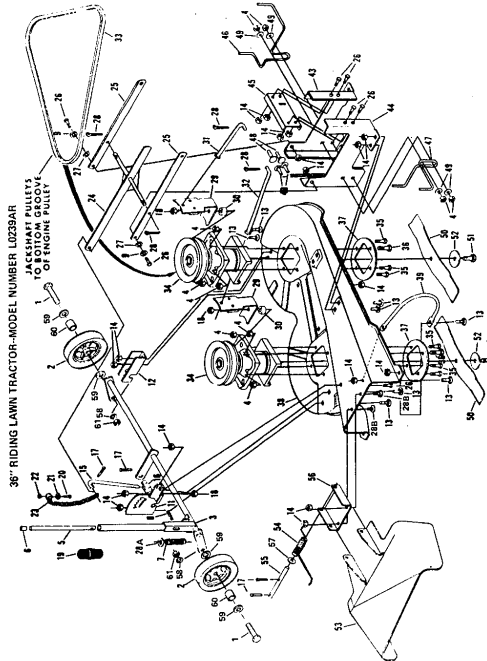
REPAIR PARTS

CLUTCH-BRAKE & DRIVE

KEY NO.	PART NO.	DESCRIPTION
1	71200	Belt Guide
2	6503J	Key, Woodruff No. 6
3	6059P	Screw, Hex Head w/Washer 5/16" x 1 1/2"
4	6059P	Screw, Hex Head w/Washer 5/16" x 1 1/2"
5	52659	Key, Woodruff No. 6
6	6059P	Screw, Machine w/Washer 1/4" x 3/4" x 5
7	6059P	Screw, Machine w/Washer 1/4" x 3/4" x 5
8	73794	Nut, Bolt Guide
9	71241	Locknut, 3/8" x 18 x 16 Ga.
10	545P	Locknut, 3/8" x 18 x 16 Ga.
11	545P	Locknut, 3/8" x 18 x 16 Ga.
12	71623	Sulley, Engine
13	71623	Sulley, Engine
14	15189	Washer, 3/32" x 24" x 18 Ga.
15	73292	Brake Rod, 1/4" x 6 Ga.
16	73292	Brake Rod, 1/4" x 6 Ga.
17	73292	Brake Rod, 1/4" x 6 Ga.
18	71238	Turnion
19	71238	Turnion
20	71239	Locknut w/Washer 3/8" x 16 Ga.
21	591P	Locknut w/Washer 3/8" x 16 Ga.
22	588P	Locknut w/Washer 5/16" - 18 UNC
23	591P	Locknut w/Washer 5/16" - 18 UNC
24	591P	Locknut w/Washer 5/16" - 18 UNC
25	591P	Locknut w/Washer 5/16" - 18 UNC
26	591P	Locknut w/Washer 5/16" - 18 UNC
27	591P	Locknut w/Washer 5/16" - 18 UNC
28	591P	Locknut w/Washer 5/16" - 18 UNC
29	591P	Locknut w/Washer 5/16" - 18 UNC
30	591P	Locknut w/Washer 5/16" - 18 UNC
31	591P	Locknut w/Washer 5/16" - 18 UNC
32	591P	Locknut w/Washer 5/16" - 18 UNC
33	591P	Locknut w/Washer 5/16" - 18 UNC
34	591P	Locknut w/Washer 5/16" - 18 UNC
35	591P	Locknut w/Washer 5/16" - 18 UNC
36	591P	Locknut w/Washer 5/16" - 18 UNC
37	591P	Locknut w/Washer 5/16" - 18 UNC
38	591P	Locknut w/Washer 5/16" - 18 UNC
39	591P	Locknut w/Washer 5/16" - 18 UNC
40	591P	Locknut w/Washer 5/16" - 18 UNC
41	591P	Locknut w/Washer 5/16" - 18 UNC
42	591P	Locknut w/Washer 5/16" - 18 UNC
43	591P	Locknut w/Washer 5/16" - 18 UNC
44	591P	Locknut w/Washer 5/16" - 18 UNC
45	591P	Locknut w/Washer 5/16" - 18 UNC
46	591P	Locknut w/Washer 5/16" - 18 UNC
47	591P	Locknut w/Washer 5/16" - 18 UNC
48	591P	Locknut w/Washer 5/16" - 18 UNC
49	591P	Locknut w/Washer 5/16" - 18 UNC
50	591P	Locknut w/Washer 5/16" - 18 UNC
51	591P	Locknut w/Washer 5/16" - 18 UNC
52	591P	Locknut w/Washer 5/16" - 18 UNC
53	591P	Locknut w/Washer 5/16" - 18 UNC
54	591P	Locknut w/Washer 5/16" - 18 UNC
55	591P	Locknut w/Washer 5/16" - 18 UNC
56	591P	Locknut w/Washer 5/16" - 18 UNC
57	591P	Locknut w/Washer 5/16" - 18 UNC
58	591P	Locknut w/Washer 5/16" - 18 UNC
59	591P	Locknut w/Washer 5/16" - 18 UNC
60	591P	Locknut w/Washer 5/16" - 18 UNC
61	591P	Locknut w/Washer 5/16" - 18 UNC
62	591P	Locknut w/Washer 5/16" - 18 UNC
63	591P	Locknut w/Washer 5/16" - 18 UNC
64	591P	Locknut w/Washer 5/16" - 18 UNC
65	591P	Locknut w/Washer 5/16" - 18 UNC
66	591P	Locknut w/Washer 5/16" - 18 UNC
67	591P	Locknut w/Washer 5/16" - 18 UNC
68	591P	Locknut w/Washer 5/16" - 18 UNC
69	591P	Locknut w/Washer 5/16" - 18 UNC
70	591P	Locknut w/Washer 5/16" - 18 UNC
71	591P	Locknut w/Washer 5/16" - 18 UNC
72	591P	Locknut w/Washer 5/16" - 18 UNC
73	591P	Locknut w/Washer 5/16" - 18 UNC
74	591P	Locknut w/Washer 5/16" - 18 UNC
75	591P	Locknut w/Washer 5/16" - 18 UNC
76	591P	Locknut w/Washer 5/16" - 18 UNC
77	591P	Locknut w/Washer 5/16" - 18 UNC
78	591P	Locknut w/Washer 5/16" - 18 UNC
79	591P	Locknut w/Washer 5/16" - 18 UNC
80	591P	Locknut w/Washer 5/16" - 18 UNC
81	591P	Locknut w/Washer 5/16" - 18 UNC
82	591P	Locknut w/Washer 5/16" - 18 UNC
83	591P	Locknut w/Washer 5/16" - 18 UNC
84	591P	Locknut w/Washer 5/16" - 18 UNC
85	591P	Locknut w/Washer 5/16" - 18 UNC
86	591P	Locknut w/Washer 5/16" - 18 UNC
87	591P	Locknut w/Washer 5/16" - 18 UNC
88	591P	Locknut w/Washer 5/16" - 18 UNC
89	591P	Locknut w/Washer 5/16" - 18 UNC
90	591P	Locknut w/Washer 5/16" - 18 UNC
91	591P	Locknut w/Washer 5/16" - 18 UNC
92	591P	Locknut w/Washer 5/16" - 18 UNC
93	591P	Locknut w/Washer 5/16" - 18 UNC
94	591P	Locknut w/Washer 5/16" - 18 UNC
95	591P	Locknut w/Washer 5/16" - 18 UNC
96	591P	Locknut w/Washer 5/16" - 18 UNC
97	591P	Locknut w/Washer 5/16" - 18 UNC
98	591P	Locknut w/Washer 5/16" - 18 UNC
99	591P	Locknut w/Washer 5/16" - 18 UNC
100	591P	Locknut w/Washer 5/16" - 18 UNC

* STANDARD HARDWARE—PURCHASE LOCALLY

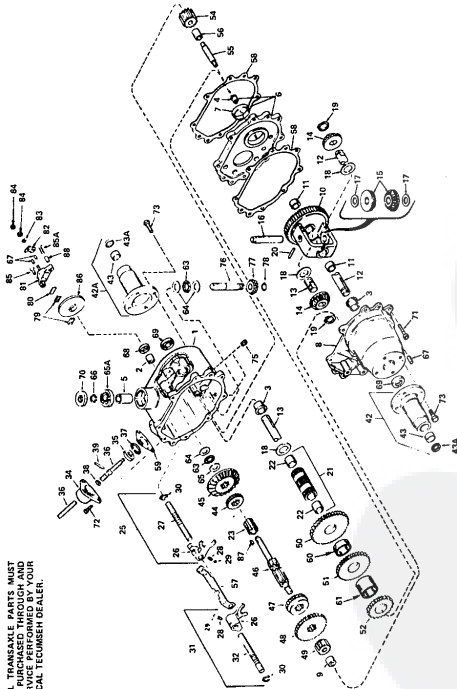
REPAIR PARTS



36" RIDING LAWN TRACTOR—MODEL NUMBER L023BAR
MOWER
TO BOTTOM GROOVE
OF ENGINE PULLEY

REPAIR PARTS

36" RIDING LAWN TRACTOR—MODEL NUMBER L023BAR
TRANSAXLE—MODEL NUMBER 143.658A



ALL TRANSAXLE PARTS MUST BE PURCHASED THROUGH AND SERVICE PERFORMED BY YOUR LOCAL TECHNICIAN DEALEN.

REPAIR PARTS

36" RIDING LAWN TRACTOR—MODEL NUMBER L023BAR
TRANSAXLE—MODEL NUMBER 143.658A

KEY NO.	PART NO.	DESCRIPTION
1	704191A	Complete Transaxle
2	70082	Gear Ax, T. Transaxle (Inc. No's 1, 2, 3 & 5)
3	70089	Pin, Drive
4	70090	Pin, Drive
5	70091	Bearing, Input
6	70092	Bearing, Output
7	70093	Bearing, Output
8	70094	Bearing, Output
9	70095	Bearing, Output
10	70096	Bearing, Output
11	70097	Bearing, Output
12	70098	Bearing, Output
13	70099	Bearing, Output
14	70100	Bearing, Output
15	70101	Bearing, Output
16	70102	Bearing, Output
17	70103	Bearing, Output
18	70104	Bearing, Output
19	70105	Bearing, Output
20	70106	Bearing, Output
21	70107	Bearing, Output
22	70108	Bearing, Output
23	70109	Bearing, Output
24	70110	Bearing, Output
25	70111	Bearing, Output
26	70112	Bearing, Output
27	70113	Bearing, Output
28	70114	Bearing, Output
29	70115	Bearing, Output
30	70116	Bearing, Output
31	70117	Bearing, Output
32	70118	Bearing, Output
33	70119	Bearing, Output
34	70120	Bearing, Output
35	70121	Bearing, Output
36	70122	Bearing, Output
37	70123	Bearing, Output
38	70124	Bearing, Output
39	70125	Bearing, Output
40	70126	Bearing, Output
41	70127	Bearing, Output
42	70128	Bearing, Output
43	70129	Bearing, Output
44	70130	Bearing, Output

REPAIR PARTS

36" RIDING LAWN TRACTOR—MODEL NUMBER L023BAR

KEY NO.	PART NO.	DESCRIPTION
1	3189P	Hex Bolt 3/8" x 2 1/4" x 3/4" Gr. 5
2	671A134	Clamp Nut
3	671A135	Clamp Nut
4	545P	Nut, Lock 3/8" - 16 UNC
5	671A136	Cap Level Plug
6	671A137	Pin, Drive
7	671A138	Pin, Drive
8	671A139	Pin, Drive
9	671A140	Pin, Drive
10	671A141	Pin, Drive
11	671A142	Pin, Drive
12	671A143	Pin, Drive
13	671A144	Pin, Drive
14	671A145	Pin, Drive
15	671A146	Pin, Drive
16	671A147	Pin, Drive
17	671A148	Pin, Drive
18	671A149	Pin, Drive
19	671A150	Pin, Drive
20	671A151	Pin, Drive
21	671A152	Pin, Drive
22	671A153	Pin, Drive
23	671A154	Pin, Drive
24	671A155	Pin, Drive
25	671A156	Pin, Drive
26	671A157	Pin, Drive
27	671A158	Pin, Drive
28	671A159	Pin, Drive
29	671A160	Pin, Drive
30	671A161	Pin, Drive
31	671A162	Pin, Drive
32	671A163	Pin, Drive
33	671A164	Pin, Drive
34	671A165	Pin, Drive
35	671A166	Pin, Drive
36	671A167	Pin, Drive
37	671A168	Pin, Drive
38	671A169	Pin, Drive
39	671A170	Pin, Drive
40	671A171	Pin, Drive
41	671A172	Pin, Drive
42	671A173	Pin, Drive
43	671A174	Pin, Drive
44	671A175	Pin, Drive
45	671A176	Pin, Drive
46	671A177	Pin, Drive
47	671A178	Pin, Drive
48	671A179	Pin, Drive
49	671A180	Pin, Drive
50	671A181	Pin, Drive
51	671A182	Pin, Drive
52	671A183	Pin, Drive
53	671A184	Pin, Drive
54	671A185	Pin, Drive
55	671A186	Pin, Drive
56	671A187	Pin, Drive
57	671A188	Pin, Drive
58	671A189	Pin, Drive
59	671A190	Pin, Drive
60	671A191	Pin, Drive
61	671A192	Pin, Drive

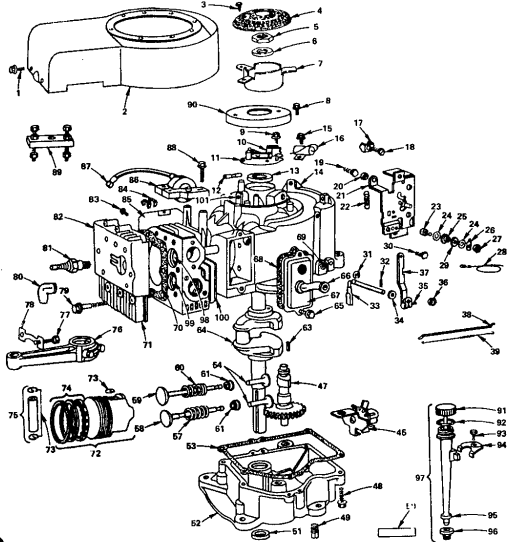
STANDARD HARDWARE PURCHASE LOCALLY

REPAIR PARTS

36" RIDING LAWN TRACTOR-MODEL NUMBER L0239AR
BRIGGS & STRATTON 10 H.P. ENGINE-MODEL NO. 220707, TYPE NO. 0134-01

CYLINDER, CRANKSHAFT AND ENGINE BASE GROUP

ALL ENGINE PARTS MUST BE PURCHASED THROUGH AND SERVICE PERFORMED BY YOUR LOCAL BRIGGS AND STRATTON DEALER.



REPAIR PARTS

36" RIDING LAWN TRACTOR-MODEL NUMBER L0239AR
BRIGGS & STRATTON 10 H.P. ENGINE-MODEL NO. 220707, TYPE NO. 0134-01

CYLINDER, CRANKSHAFT AND ENGINE BASE GROUP

KEY NO.	PART NO.	DESCRIPTION	KEY NO.	PART NO.	DESCRIPTION
1	93158	Screw - Blower Housing Mounting Sem	57	26829	Spring - Exhaust Valve
2	381566	Housing - Blower	58	231533	Valve - Exhaust
3	38098	Screw - Sem	59	261452	Valve - Intake
4	227562	Screen - Flush Rotating	60	65206	Spring - Intake Valve
5	92584	Nut - Hex	61	221596	Retainer - Intake Valve
6	229885	Washer - Spring	62	61760	Key - Flywheel
7	225641	Cap - Screw Mounting	63	61605	Crankshaft
8	93014	Screw - Sem	64	93304	Screw - Sem
9	93296	Cap - Screw Mounting	65	280100	Tube - Breather
10	26018	Spring - Breather Arm	67	391406	Breather Assembly
11	591984	Breaker As'y - Ignition (Inc. No. 10)	68	27803	Gasket - Valve Cover
12	65704	Puncher - Breaker Point	69	231055	Bushing - Gov. Crank (1 1/4" I.D.)
13	391085	Seal - Oil	70	271075	Gasket - Cylinder Head
14	393593	Cylinder As'y. (Inc. No. 13)	71	212366	Head - Cylinder
15	93042	Screw - Sem	72	391285	Piston As'y. - Standard (Inc. No.'s. 73 & 74)
16	391782	Condenser			
17	221535	Clamp - Gaining			
18	93496	Screw - Sem			
19	93688	Screw - Control Bracket Mounting	73	269924	Lock - Piston Pin
20	231038	Screw - Control Bracket Mounting	74	391780	Ring Set - Piston - Std.
21	390662	Plate - Gov. Control			
22	291306	Screw - Terminating			
23	91920	Screw - Lock - Shakeproof			
24	92511	Collar - Insulating	75	299951	Ring Set - Piston - 0.10" O.S.
25	66554	Nut - Hex B - 32			
26	93722	Washer - Ground			
27	90576	Nut - Hex B - 32			
28	391802	Washer - Insulating			
29	66088	Washer - Insulating			
30	93572	Retainer - E-Ring			
31	83307	Retainer - E-Ring			
32	83266	Control - Governor (1/4" Dia.)	80	66538	Elbow - Spark Plug
33	231058	Washer - Gov. Crank (1 1/4" I.D.)	81	239318	Plug - Spark (1 1/2" High - 37 - 42 MM)
34	222450	Washer - Gov. Crank (1 1/4" I.D.)			
35	92613	Ball - Governor Lever			
36	231082	Nut - Hex 10 - 24	82	222725	Cover - Cylinder Head
37	391733	Link - Governor			
38	261198	Level As'y. - Governor (for 1/4" Dia. Crank) (Inc. No.'s. 35 & 36)	83	231670	Screw - Cylinder Head Mtg. Sem
39	261197	Spring - Governor Link			
40	931764	Oil Slinger - Gov. Gear & Bracket As'y.	84	231007	Clip - Wire
41	212796	Gear - Cam			
42	93586	Screw - Sump Mounting Sem	85	222726	Screw - Cylinder
43	91034	Plug - Oil Drain	86	289568	Armature As'y.
44	393411	Gasket - Seal	87	10209	Terminal - Ignition Cable
45	291875	Seal - Oil	88	63381	Screw - Armature Mounting Sem
46	391784	Sump - Oil (Inc. No.'s. 51 & 53)	89	61760	Key - Flywheel
47	270828	*Gasket - Crankcase Cover - 1/64" Thick	90	222309	Cover - Breaker Point
48	270816	*Gasket - Crankcase Cover - .005" Thick	91	391841	Cap and Dipstick - Oil Filler
49	270916	*Gasket - Crankcase Cover - .009" Thick	92	270920	Seal - Filler Cap
50	261193	Tappet - Valve	93	93804	Screw - Clamp Mtg.
			94	222502	Clamp - Oil Filler Tube
			95	280134	Tube - Oil Filler
			96	68830	Seal - Filler Tube
			97	392057	Filler Group - Oil
			98	261463	Intake Valve Seat
			99	215681	Exhaust Valve Seat
			100	230881	Exhaust Valve Stem Guide
			101	29513	Puncher - Bushing

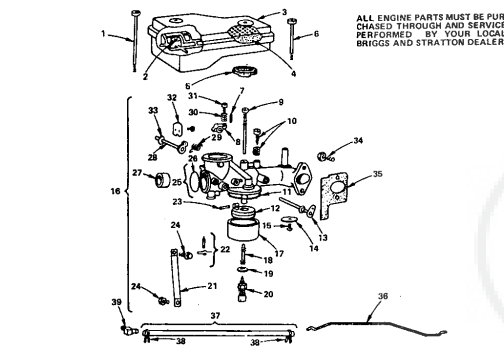
*STANDARD HARDWARE-PURCHASE LOCALLY

REPAIR PARTS

36" RIDING LAWN TRACTOR-MODEL NUMBER L0239AR
BRIGGS & STRATTON 10 H.P. ENGINE-MODEL NO. 220707, TYPE NO. 0134-01

AIR CLEANER AND CARBURETOR

ALL ENGINE PARTS MUST BE PURCHASED THROUGH AND SERVICE PERFORMED BY YOUR LOCAL BRIGGS AND STRATTON DEALER.



KEY NO.	PART NO.	DESCRIPTION	KEY NO.	PART NO.	DESCRIPTION
1	93323	Screw - Air Cleaner	24	93572	Screw
2	260118	Support - Air Cleaner Element	25	291787	Body As'y. - Carburetor (Inc. No. 26)
3	391786	Cleaner As'y. - Air (Inc. No.'s. 2 & 4)	26	221987	*Plug - Wash
4	270843	Element - Air Cleaner	27	211960	Venturi - Carburetor
5	270853	Gasket - Air Cleaner	28	360584	Shaft & Lever - Choke
6	93822	Screw - Air Cleaner	29	261116	Spring - Choke Return
7	93943	Pin - Throttle Stop	30	26157	Spring - Throttle Adjustment
8	211712	Stop - Throttle	31	91920	Screw - Machine, Fil. Hd. 8 - 32 x 5/8"
9	299740	Nozzle - Carburetor	32	222010	Valve - Choke
10	297861	Valve As'y. - Carburetor Idle	33	270382	Washer - Choke Shaft
11	270511	*Gasket - Float Bowl	34	93357	Screw - Carburetor Mtg.
12	299707	Float - Carburetor	35	270872	*Gasket - Carburetor Mtg.
13	391512	Shaft & Lever - Throttle	36	261274	LFA - Choke
14	222658	Valve - Throttle	37	298004	Pipe - Fuel (Inc. No. 38)
15	93499	Screw - Throttle & Choke Valve Mtg. Sem	38	93003	Clamp - Fuel Pipe
16	393410	Carburetor As'y. (Choke-A-Matic) (Inc. No.'s. 7 thru 33)	39	67218	Connector - Fuel Pipe
17	221985	Bowl - Float			
18	250932	*Screw - Nozzle			
19	222014	Washer - Float Bowl			
20	391238	Valve - Needle			
21	222311	Bracket - Carburetor			
22	299598	Valve - Fuel Inlet			
23	230898	*Pin - Float Hinge			

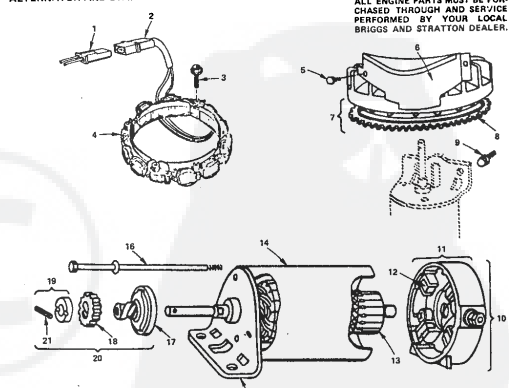
*INCLUDED IN CARBURETOR OVERHAUL KIT - PART NO. 298652
*INCLUDED IN GASKET SET - PART NO. 393411

REPAIR PARTS

36" RIDING LAWN TRACTOR-MODEL NUMBER L0239AR
BRIGGS & STRATTON 10 H.P. ENGINE-MODEL NO. 220707, TYPE NO. 0134-01

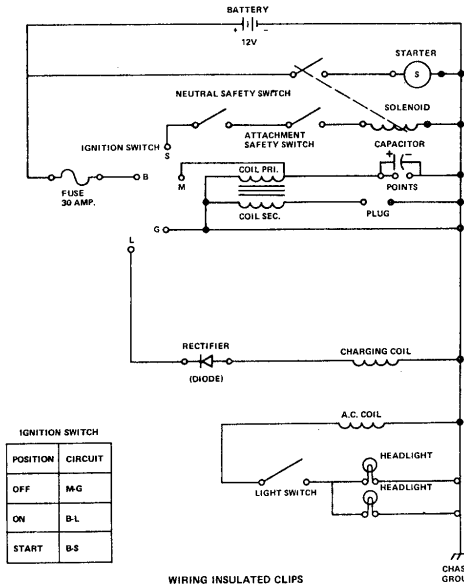
ALTERNATOR AND STARTER MOTOR GROUP

ALL ENGINE PARTS MUST BE PURCHASED THROUGH AND SERVICE PERFORMED BY YOUR LOCAL BRIGGS AND STRATTON DEALER.



KEY NO.	PART NO.	DESCRIPTION	KEY NO.	PART NO.	DESCRIPTION
1	393362	Alt. Harness Assembly	10	392749	Motor and Drive As'y. (12 Volts (Inc. No.'s. 11 thru 20)
2	393456	Diode and Conn. Assembly	11	390846	End Cap As'y., Commutator (Inc. No. 12)
3	93521	Screw - Sem			
4	393474	Stator - Alternator	12	391705	Brush As'y.
5	93410	Screw - Sem	13	392747	Armature As'y.
6	390233	Cover and Shield - Starter	14	392744	Housing As'y.
7	391968	Flywheel & Ring Gear As'y. - Magnet (Inc. No. 14)	15	392061	End Cap As'y., Drive
8	392134	Gear - Ring (Inc. Mounting Parts)	16	391705	Thru Bolt As'y.
9	93523	Screw - Sem	17	391125	Clutch As'y.
			18	280104	Gear
			19	391452	Retainer & Pin
			20	391461	Drive As'y. (Inc. No.'s. 17, 18 & 19)
			21	93754	Rail Pin

36" RIDING LAWN TRACTOR—MODEL NUMBER L0239AR
SCHEMATIC DIAGRAM

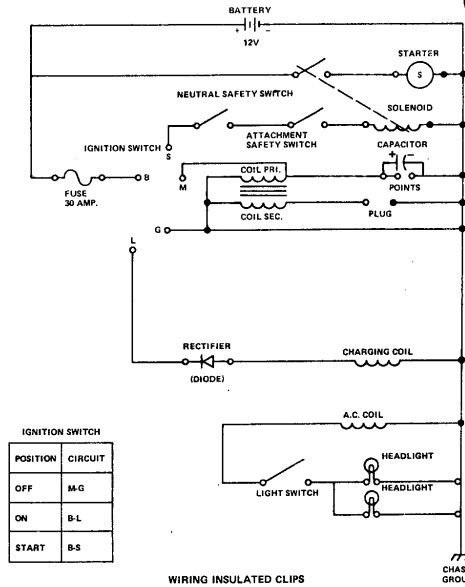


If Insulated Clips were removed for servicing of unit, they should be replaced to properly secure your wiring. There are three Insulated Clips on your Tractor.

1. L.H. side of Tractor for safety switch wires (Key No. 28, page 14).
2. R.H. side of Tractor securing wire harness and cable wire (Key No. 31, page 14).
3. Headlight wire (Key No. 26, page 14).

REPAIR PARTS

36" RIDING LAWN TRACTOR—MODEL NUMBER L1219AR
SCHEMATIC DIAGRAM

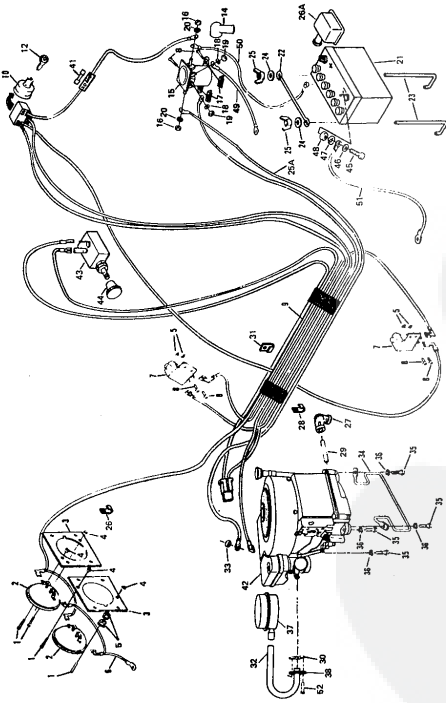


If Insulated Clips were removed for servicing of unit, they should be replaced to properly secure your wiring. There are three Insulated Clips on your Tractor.

1. L.H. side of Tractor for safety switch wires (Key No. 28, page 14).
2. R.H. side of Tractor securing wire harness and cable wire (Key No. 31, page 14).
3. Headlight wire (Key No. 26, page 14).

36" RIDING LAWN TRACTOR—MODEL NUMBER L1219AR

REPAIR PARTS
ELECTRIC & ENGINE



36" RIDING LAWN TRACTOR—MODEL NUMBER L1219AR

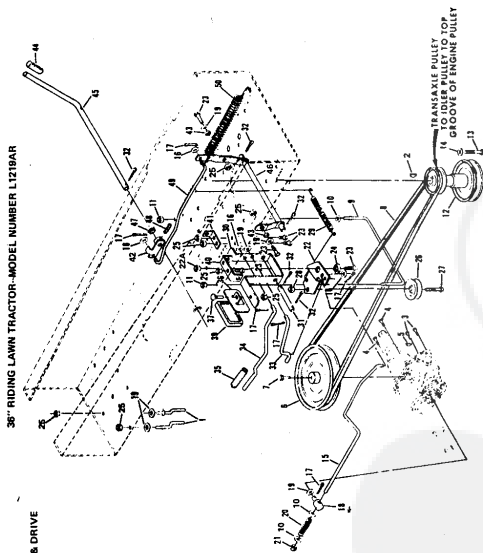
REPAIR PARTS
ELECTRIC & ENGINE

KEY NO.	PART NO.	DESCRIPTION	KEY NO.	PART NO.	DESCRIPTION
1	3220P	Spark Machine, Trust Head	28	85220A	Coil, 16" x 1/2" - 18 MPT
2	6450R	Headlight, Standard	29	7315B	Insulated Clip
3	4822A	Nut, Lock No. 10 - 24	30	7315B	Insulated Clip
4	4822A	Nut, Lock No. 10 - 24	31	6784R	Insulated Clip
5	7110S	Wiring Harness	32	13380	Nut, Lock T4 - 20 UNC
6	7110S	Wiring Harness	33	13380	Nut, Lock T4 - 20 UNC
7	7765R	Safety Switch	34	1786J	Ball Keeper, 1/4" Dia. Rolling
8	525P	Nut, 10 - 24 x 1/2"	35	5965P	Ball Keeper, 1/4" Dia. Rolling
9	525P	Nut, 10 - 24 x 1/2"	36	87746B	Muffler, Lock 3/8"
10	4492A	Key Set	37	87746B	Muffler, Lock 3/8"
11	7567H	Key Set	38	1423	Exhaust Flange
12	7567H	Key Set	39	1423	Exhaust Flange
13	7765R	Solenoid	40	252707	Engine - Briggs and Stratton 1 1/2 H.P.
14	7765R	Solenoid	41	252707	Engine - Briggs and Stratton 1 1/2 H.P.
15	7765R	Solenoid	42	252707	Engine - Briggs and Stratton 1 1/2 H.P.
16	578P	Nut, Speed No. 10 - 24 UNC	43	7763R	Light Switch
17	578P	Nut, Speed No. 10 - 24 UNC	44	7763R	Light Switch
18	1006P	*Washer, Lock No. 10 - 24 UNC	45	1595P	*Washer, 9/32 x 5/8 x 1/8 Gd.
19	1006P	*Washer, Lock No. 10 - 24 UNC	46	1595P	*Washer, 9/32 x 5/8 x 1/8 Gd.
20	1006P	*Washer, Lock No. 10 - 24 UNC	47	8027R	Washer, Ground Solenoid
21	67187	*Lockwasher, 5/16"	48	8027R	Washer, Ground Solenoid
22	1597P	Battery Rod	49	8027R	Washer, Ground Solenoid
23	1597P	Battery Rod	50	8027R	Washer, Ground Solenoid
24	1597P	Battery Rod	51	8027R	Washer, Ground Solenoid
25	577P	Wing Nut T4 - 20 UNC	52	8027R	Washer, Ground Solenoid
26	2521R	Terminal Cover	53	8027R	Washer, Ground Solenoid
27	2521R	Terminal Cover	54	1897J	Ground Cable, Sp. 3/4 Gd. 5
28	2521R	Terminal Cover	55	1897J	Ground Cable, Sp. 3/4 Gd. 5
			56	1897J	Ground Cable, Sp. 3/4 Gd. 5
			57	1897J	Ground Cable, Sp. 3/4 Gd. 5
			58	1897J	Ground Cable, Sp. 3/4 Gd. 5
			59	1897J	Ground Cable, Sp. 3/4 Gd. 5
			60	1897J	Ground Cable, Sp. 3/4 Gd. 5
			61	1897J	Ground Cable, Sp. 3/4 Gd. 5
			62	1897J	Ground Cable, Sp. 3/4 Gd. 5
			63	1897J	Ground Cable, Sp. 3/4 Gd. 5
			64	1897J	Ground Cable, Sp. 3/4 Gd. 5
			65	1897J	Ground Cable, Sp. 3/4 Gd. 5
			66	1897J	Ground Cable, Sp. 3/4 Gd. 5
			67	1897J	Ground Cable, Sp. 3/4 Gd. 5
			68	1897J	Ground Cable, Sp. 3/4 Gd. 5
			69	1897J	Ground Cable, Sp. 3/4 Gd. 5
			70	1897J	Ground Cable, Sp. 3/4 Gd. 5
			71	1897J	Ground Cable, Sp. 3/4 Gd. 5
			72	1897J	Ground Cable, Sp. 3/4 Gd. 5
			73	1897J	Ground Cable, Sp. 3/4 Gd. 5
			74	1897J	Ground Cable, Sp. 3/4 Gd. 5
			75	1897J	Ground Cable, Sp. 3/4 Gd. 5
			76	1897J	Ground Cable, Sp. 3/4 Gd. 5
			77	1897J	Ground Cable, Sp. 3/4 Gd. 5
			78	1897J	Ground Cable, Sp. 3/4 Gd. 5
			79	1897J	Ground Cable, Sp. 3/4 Gd. 5
			80	1897J	Ground Cable, Sp. 3/4 Gd. 5
			81	1897J	Ground Cable, Sp. 3/4 Gd. 5
			82	1897J	Ground Cable, Sp. 3/4 Gd. 5
			83	1897J	Ground Cable, Sp. 3/4 Gd. 5
			84	1897J	Ground Cable, Sp. 3/4 Gd. 5
			85	1897J	Ground Cable, Sp. 3/4 Gd. 5
			86	1897J	Ground Cable, Sp. 3/4 Gd. 5
			87	1897J	Ground Cable, Sp. 3/4 Gd. 5
			88	1897J	Ground Cable, Sp. 3/4 Gd. 5
			89	1897J	Ground Cable, Sp. 3/4 Gd. 5
			90	1897J	Ground Cable, Sp. 3/4 Gd. 5
			91	1897J	Ground Cable, Sp. 3/4 Gd. 5
			92	1897J	Ground Cable, Sp. 3/4 Gd. 5
			93	1897J	Ground Cable, Sp. 3/4 Gd. 5
			94	1897J	Ground Cable, Sp. 3/4 Gd. 5
			95	1897J	Ground Cable, Sp. 3/4 Gd. 5
			96	1897J	Ground Cable, Sp. 3/4 Gd. 5
			97	1897J	Ground Cable, Sp. 3/4 Gd. 5
			98	1897J	Ground Cable, Sp. 3/4 Gd. 5
			99	1897J	Ground Cable, Sp. 3/4 Gd. 5
			100	1897J	Ground Cable, Sp. 3/4 Gd. 5

*STANDARD HARDWARE—PURCHASE LOCALLY
OPTIONAL EQUIPMENT
Spark Arrestor/Muffler L1248AR

REPAIR PARTS

CLUTCH-BRAKE & DRIVE



REPAIR PARTS

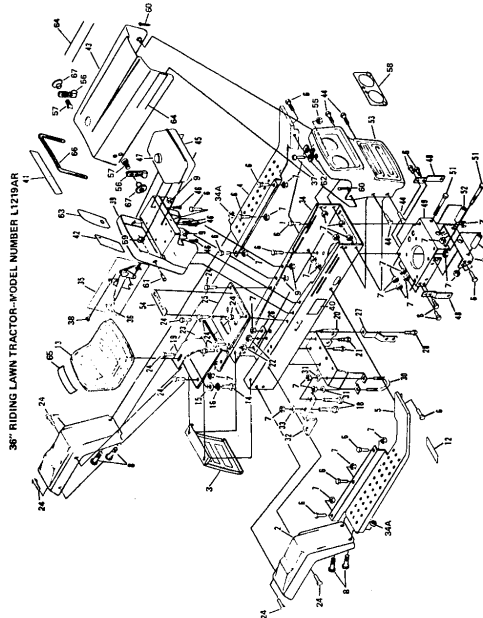
CLUTCH-BRAKE & DRIVE

REF. NO.	PART NO.	DESCRIPTION
1	71000	Bolt Guide
2	60000	Washer w/Ext. Lockwasher
3	60000	Screw, Hex Head w/Washer
4	60000	Washer, 3/8 x 1-1/4 x 6 Ga.
5	52880	Washer, 13/32 x 3/4 x 16 Ga.
6	72842	Washer, 11/32 x 3/4 x 16 Ga.
7	60000	Washer, 1/2 x 3/4 x 6 Ga.
8	72394	Washer, 1/2 x 3/4 x 6 Ga.
9	16110	Washer, 1/2 x 3/4 x 6 Ga.
10	16110	Washer, 1/2 x 3/4 x 6 Ga.
11	71000	Washer, 1/2 x 3/4 x 6 Ga.
12	71000	Washer, 1/2 x 3/4 x 6 Ga.
13	60000	Screw, Machine w/Ext. Lockwasher
14	16100	Washer, 3/8 x 1-1/4 x 6 Ga.
15	16070	Washer, 13/32 x 3/4 x 16 Ga.
16	16070	Washer, 13/32 x 3/4 x 16 Ga.
17	20000	Washer, 1/2 x 3/4 x 6 Ga.
18	16000	Washer, 1/2 x 3/4 x 6 Ga.
19	16000	Washer, 1/2 x 3/4 x 6 Ga.
20	51000	Washer, 1/2 x 3/4 x 6 Ga.
21	71000	Washer, 1/2 x 3/4 x 6 Ga.
22	71000	Washer, 1/2 x 3/4 x 6 Ga.
23	500	Spring

*STANDARD HARDWARE - PURCHASE LOCALLY

REPAIR PARTS

CHASSIS



REPAIR PARTS

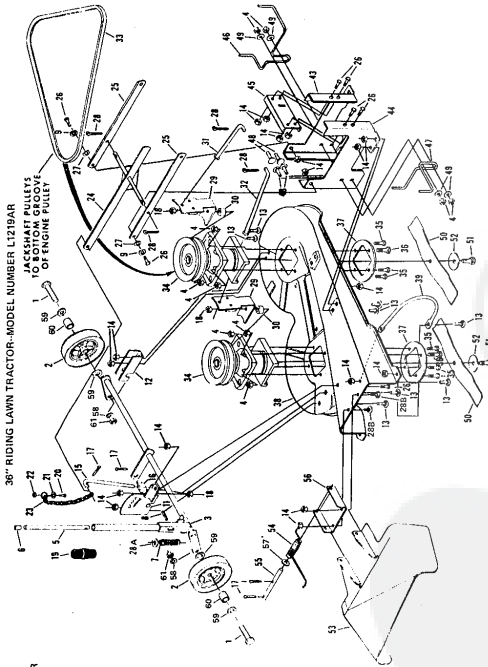
CHASSIS

REF. NO.	PART NO.	DESCRIPTION
1	30000	Front B.R.H.
2	30000	Rear Cover
3	15381	Front B.R.H.
4	15400	Rear B.R.H.
5	15400	Rear B.R.H.
6	57100	Roller, 1/2 x 1-1/8 x 1-1/2
7	57100	Roller, 1/2 x 1-1/8 x 1-1/2
8	20000	Bolt, Hex Head 5/16-18 x 1-1/2
9	20000	Bolt, Hex Head 5/16-18 x 1-1/2
10	11331	Washer, 1/2 x 3/4 x 6 Ga.
11	11331	Washer, 1/2 x 3/4 x 6 Ga.
12	11331	Washer, 1/2 x 3/4 x 6 Ga.
13	20000	Bolt, Hex Head 5/16-18 x 1-1/2
14	20000	Bolt, Hex Head 5/16-18 x 1-1/2
15	15000	Washer 1/2 x 3/4 x 6 Ga.
16	15000	Washer 1/2 x 3/4 x 6 Ga.
17	15000	Washer 1/2 x 3/4 x 6 Ga.
18	30120	Washer 1/2 x 3/4 x 6 Ga.
19	30120	Washer 1/2 x 3/4 x 6 Ga.
20	72000	Washer 1/2 x 3/4 x 6 Ga.
21	30120	Washer 1/2 x 3/4 x 6 Ga.
22	17501	Washer, 1/2 x 3/4 x 6 Ga.
23	17501	Washer, 1/2 x 3/4 x 6 Ga.
24	50000	Washer, 1/2 x 3/4 x 6 Ga.
25	67100	Washer, 1/2 x 3/4 x 6 Ga.
26	67100	Washer, 1/2 x 3/4 x 6 Ga.
27	71000	Washer, 1/2 x 3/4 x 6 Ga.
28	71000	Washer, 1/2 x 3/4 x 6 Ga.
29	71000	Washer, 1/2 x 3/4 x 6 Ga.
30	71000	Washer, 1/2 x 3/4 x 6 Ga.
31	71000	Washer, 1/2 x 3/4 x 6 Ga.
32	16100	Washer, 1/2 x 3/4 x 6 Ga.
33	16100	Washer, 1/2 x 3/4 x 6 Ga.
34	16100	Washer, 1/2 x 3/4 x 6 Ga.
35	16100	Washer, 1/2 x 3/4 x 6 Ga.
36	16100	Washer, 1/2 x 3/4 x 6 Ga.
37	16100	Washer, 1/2 x 3/4 x 6 Ga.
38	16100	Washer, 1/2 x 3/4 x 6 Ga.
39	16100	Washer, 1/2 x 3/4 x 6 Ga.
40	16100	Washer, 1/2 x 3/4 x 6 Ga.
41	16100	Washer, 1/2 x 3/4 x 6 Ga.
42	16100	Washer, 1/2 x 3/4 x 6 Ga.
43	16100	Washer, 1/2 x 3/4 x 6 Ga.
44	16100	Washer, 1/2 x 3/4 x 6 Ga.
45	72000	Washer 1/2 x 3/4 x 6 Ga.
46	72000	Washer 1/2 x 3/4 x 6 Ga.
47	72000	Washer 1/2 x 3/4 x 6 Ga.
48	72000	Washer 1/2 x 3/4 x 6 Ga.
49	18000	Washer 1/2 x 3/4 x 6 Ga.
50	71100	Washer, 1/2 x 3/4 x 6 Ga.
51	71100	Washer, 1/2 x 3/4 x 6 Ga.
52	71100	Washer, 1/2 x 3/4 x 6 Ga.
53	71100	Washer, 1/2 x 3/4 x 6 Ga.
54	72000	Washer 1/2 x 3/4 x 6 Ga.
55	48200	Washer, 1/2 x 3/4 x 6 Ga.
56	30000	Washer, 1/2 x 3/4 x 6 Ga.
57	30000	Washer, 1/2 x 3/4 x 6 Ga.
58	60000	Washer, 1/2 x 3/4 x 6 Ga.
59	50000	Washer, 1/2 x 3/4 x 6 Ga.
60	67000	Washer, 1/2 x 3/4 x 6 Ga.
61	67000	Washer, 1/2 x 3/4 x 6 Ga.
62	11331	Washer, 1/2 x 3/4 x 6 Ga.
63	11331	Washer, 1/2 x 3/4 x 6 Ga.
64	20000	Bolt, Hex Head 5/16-18 x 1-1/2
65	20000	Bolt, Hex Head 5/16-18 x 1-1/2
66	60000	Washer, 1/2 x 3/4 x 6 Ga.
67	60000	Washer, 1/2 x 3/4 x 6 Ga.

*STANDARD HARDWARE - PURCHASE LOCALLY

REPAIR PARTS

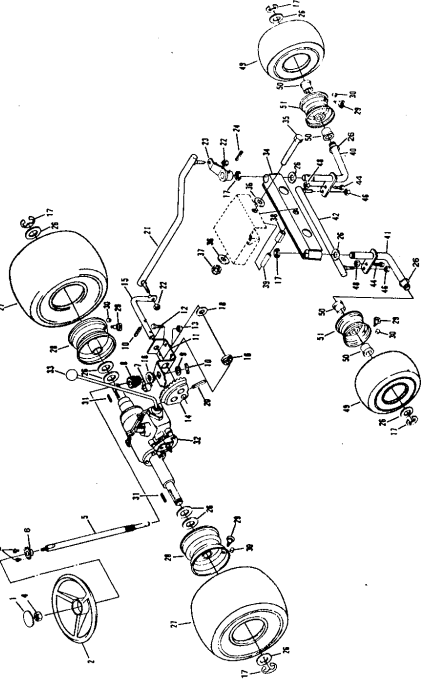
MOWER



38" RIDING LAWN TRACTOR—MODEL NUMBER L1219AR

REPAIR PARTS

STEERING AND WHEELS



36" RIDING LAWN TRACTOR—MODEL NUMBER L1219AR

REPAIR PARTS

MOWER

36" RIDING LAWN TRACTOR—MODEL NUMBER L1219AR

REF. NO.	PART NO.	DESCRIPTION	REF. NO.	PART NO.	DESCRIPTION
1	3198P	Hex Bolt 3/8" x 2 1/2" - 24 Gr. 5	29	877A46	Brake Assembly
2	877A134	Front Rod Assembly	30	506J	Steering Wheel
3	165J1	Roller	31	71525	Brake Rod - R.H.
4	849R	Roller	32	71526	Brake Rod - L.H.
5	165J1	Cap - Lever Plunger	33	794151A	Transaxle Assembly Model 143.68A (See Pages 24 and 25)
6	849R	Roller	34	877A181	Jackshaft Assembly
7	82501R	Pin - Drive Lock	35	1554J	Steering Shaft
8	82501R	Pin - Drive Lock	36	1554J	Bushing
9	82501R	Pin - Drive Lock	37	1554J	Bushing
10	82501R	Pin - Drive Lock	38	74851	Rimless Casters
11	72537	Outer Shim 1.022 x 3/4 x 16 Gr. 5	39	74851	Rimless Casters
12	87327	Paint Rod Support - 18" - 24 Gr. 5	40	52379	Steering Bracket
13	87327	Paint Rod Support - 18" - 24 Gr. 5	41	52379	Steering Bracket
14	925P	Nut, Lock 5/16" - 18 UNC	42	52379	Steering Bracket
15	925P	Nut, Lock 5/16" - 18 UNC	43	52379	Steering Bracket
16	71301	Adjustment Rod	44	52379	Steering Bracket
17	8002P	Cover Pin 3/32 x 3/4	45	52379	Steering Bracket
18	71301	Adjustment Rod	46	52379	Steering Bracket
19	1447J	Grp. Handle	47	52379	Steering Bracket
20	925P	Nut, Lock 5/16" - 18 UNC	48	52379	Steering Bracket
21	1555P	Washer, 9/32 x 1/4 - 20 x 1	49	52379	Steering Bracket
22	925P	Nut, Hex Lock 5/16" - 18 UNC	50	52379	Steering Bracket
23	72915	Parallel Rod Assembly	51	52379	Steering Bracket
24	72915	Parallel Rod Assembly	52	52379	Steering Bracket
25	2010P	Spacer Pin 1/8" x 1	53	67564	Deflector
26	2010P	Spacer Pin 1/8" x 1	54	67564	Deflector
27	21616	Washer, 15/32 x 3/4 x 16 Gr.	55	67564	Deflector
28	28A	Washer, 15/32 x 3/4 x 16 Gr.	56	67564	Deflector
29	1616P	Washer, 15/32 x 3/4 x 16 Gr.	57	67564	Deflector
30	28A	Washer, 15/32 x 3/4 x 16 Gr.	58	67564	Deflector
31	1616P	Washer, 15/32 x 3/4 x 16 Gr.	59	67564	Deflector
32	28A	Washer, 15/32 x 3/4 x 16 Gr.	60	67564	Deflector
33	1616P	Washer, 15/32 x 3/4 x 16 Gr.	61	67564	Deflector

* STANDARD HARDWARE—PURCHASE LOCALLY

REPAIR PARTS

STEERING AND WHEELS

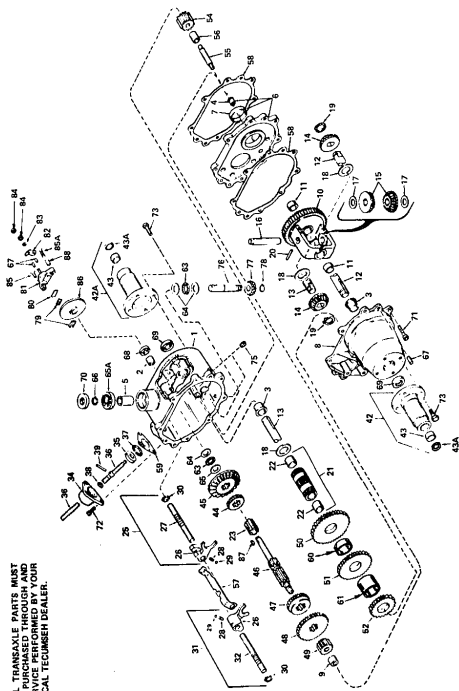
REF. NO.	PART NO.	DESCRIPTION	REF. NO.	PART NO.	DESCRIPTION
1	1114J	Steering Wheel Insert	29	86139	Valve Stem
2	506J	Steering Wheel	30	59192	Valve Cup
3	506J	Steering Wheel	31	794151A	Transaxle Assembly Model 143.68A (See Pages 24 and 25)
4	506J	Steering Wheel	32	794151A	Transaxle Assembly Model 143.68A (See Pages 24 and 25)
5	1554J	Bushing	33	55862	Rocker Bar Assembly - L.H.
6	1554J	Bushing	34	877A81	Rockers Bar Assembly - R.H.
7	1554J	Bushing	35	877A81	Rockers Bar Assembly - R.H.
8	74851	Rimless Casters	36	87151	Ball Lock 1/2" - 13 UNC
9	74851	Rimless Casters	37	87151	Ball Lock 1/2" - 13 UNC
10	52379	Steering Bracket	38	87151	Ball Lock 1/2" - 13 UNC
11	52379	Steering Bracket	39	71188	Pin - Spacer
12	52379	Steering Bracket	40	72327	Kingpin Assembly - L.H.
13	52379	Steering Bracket	41	72327	Kingpin Assembly - R.H.
14	52379	Steering Bracket	42	72327	Kingpin Assembly - R.H.
15	52379	Steering Bracket	43	72327	Kingpin Assembly - R.H.
16	52379	Steering Bracket	44	72327	Kingpin Assembly - R.H.
17	52379	Steering Bracket	45	72327	Kingpin Assembly - R.H.
18	52379	Steering Bracket	46	72327	Kingpin Assembly - R.H.
19	52379	Steering Bracket	47	72327	Kingpin Assembly - R.H.
20	52379	Steering Bracket	48	72327	Kingpin Assembly - R.H.
21	52379	Steering Bracket	49	72327	Kingpin Assembly - R.H.
22	52379	Steering Bracket	50	72327	Kingpin Assembly - R.H.
23	52379	Steering Bracket	51	72327	Kingpin Assembly - R.H.
24	52379	Steering Bracket	52	72327	Kingpin Assembly - R.H.
25	52379	Steering Bracket	53	72327	Kingpin Assembly - R.H.
26	52379	Steering Bracket	54	72327	Kingpin Assembly - R.H.
27	52379	Steering Bracket	55	72327	Kingpin Assembly - R.H.
28	52379	Steering Bracket	56	72327	Kingpin Assembly - R.H.
29	52379	Steering Bracket	57	72327	Kingpin Assembly - R.H.
30	52379	Steering Bracket	58	72327	Kingpin Assembly - R.H.
31	52379	Steering Bracket	59	72327	Kingpin Assembly - R.H.
32	52379	Steering Bracket	60	72327	Kingpin Assembly - R.H.
33	52379	Steering Bracket	61	72327	Kingpin Assembly - R.H.

* STANDARD HARDWARE—PURCHASE LOCALLY

REPAIR PARTS

36" RIDING LAWN TRACTOR-MODEL NUMBER L1219A
TRANSEXLE-MODEL NUMBER 143.658A

ALL TRANSEXLE PARTS MUST BE PURCHASED THROUGH AND SERVICE PERFORMED BY YOUR LOCAL TECUMSEH DEALER.



REPAIR PARTS

36" RIDING LAWN TRACTOR-MODEL NUMBER L1219A
TRANSEXLE-MODEL NUMBER 143.658A

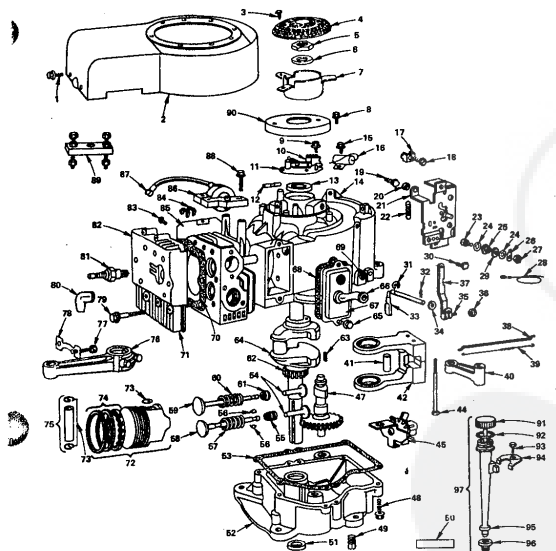
KEY NO.	PART NO.	DESCRIPTION
1	78491A	Complete Transaxle
2	78003	Case Assy., Transaxle (Inc. No's. 2, 3 & 9)
3	78008	Shaft, Input
4	78009	Bearing, Bronze
5	78001	Shaft, Output
6	78002	Bearing, Bronze
7	78005	Shaft, Reverse
8	78006	Bearing, Bronze
9	78007	Shaft, Reverse Idler
10	78004	Case Assy., Reverse (Inc. No. 11)
11	78005	Shaft, Reverse Idler
12	78006	Bearing, Bronze
13	78007	Shaft, Reverse Idler
14	78008	Bearing, Bronze
15	78009	Shaft, Input
16	78003	Case Assy., Transaxle (Inc. No. 11)
17	78004	Case Assy., Reverse (Inc. No. 11)
18	78005	Shaft, Reverse Idler
19	78006	Bearing, Bronze
20	78007	Shaft, Reverse Idler
21	78008	Bearing, Bronze
22	78009	Shaft, Input
23	78003	Case Assy., Transaxle (Inc. No. 11)
24	78004	Case Assy., Reverse (Inc. No. 11)
25	78005	Shaft, Reverse Idler
26	78006	Bearing, Bronze
27	78007	Shaft, Reverse Idler
28	78008	Bearing, Bronze
29	78009	Shaft, Input
30	78003	Case Assy., Transaxle (Inc. No. 11)
31	78004	Case Assy., Reverse (Inc. No. 11)
32	78005	Shaft, Reverse Idler
33	78006	Bearing, Bronze
34	78007	Shaft, Reverse Idler
35	78008	Bearing, Bronze
36	78009	Shaft, Input
37	78003	Case Assy., Transaxle (Inc. No. 11)
38	78004	Case Assy., Reverse (Inc. No. 11)
39	78005	Shaft, Reverse Idler
40	78006	Bearing, Bronze
41	78007	Shaft, Reverse Idler
42	78008	Bearing, Bronze
43	78009	Shaft, Input
44	78003	Case Assy., Transaxle (Inc. No. 11)
45	78004	Case Assy., Reverse (Inc. No. 11)
46	78005	Shaft, Reverse Idler
47	78006	Bearing, Bronze
48	78007	Shaft, Reverse Idler
49	78008	Bearing, Bronze
50	78009	Shaft, Input
51	78003	Case Assy., Transaxle (Inc. No. 11)
52	78004	Case Assy., Reverse (Inc. No. 11)
53	78005	Shaft, Reverse Idler
54	78006	Bearing, Bronze
55	78007	Shaft, Reverse Idler
56	78008	Bearing, Bronze
57	78009	Shaft, Input
58	78003	Case Assy., Transaxle (Inc. No. 11)
59	78004	Case Assy., Reverse (Inc. No. 11)
60	78005	Shaft, Reverse Idler
61	78006	Bearing, Bronze
62	78007	Shaft, Reverse Idler
63	78008	Bearing, Bronze
64	78009	Shaft, Input
65	78003	Case Assy., Transaxle (Inc. No. 11)
66	78004	Case Assy., Reverse (Inc. No. 11)
67	78005	Shaft, Reverse Idler
68	78006	Bearing, Bronze
69	78007	Shaft, Reverse Idler
70	78008	Bearing, Bronze
71	78009	Shaft, Input
72	78003	Case Assy., Transaxle (Inc. No. 11)
73	78004	Case Assy., Reverse (Inc. No. 11)
74	78005	Shaft, Reverse Idler
75	78006	Bearing, Bronze
76	78007	Shaft, Reverse Idler
77	78008	Bearing, Bronze
78	78009	Shaft, Input
79	78003	Case Assy., Transaxle (Inc. No. 11)
80	78004	Case Assy., Reverse (Inc. No. 11)
81	78005	Shaft, Reverse Idler
82	78006	Bearing, Bronze
83	78007	Shaft, Reverse Idler
84	78008	Bearing, Bronze
85	78009	Shaft, Input
86	78003	Case Assy., Transaxle (Inc. No. 11)
87	78004	Case Assy., Reverse (Inc. No. 11)
88	78005	Shaft, Reverse Idler
89	78006	Bearing, Bronze
90	78007	Shaft, Reverse Idler
91	78008	Bearing, Bronze
92	78009	Shaft, Input
93	78003	Case Assy., Transaxle (Inc. No. 11)
94	78004	Case Assy., Reverse (Inc. No. 11)
95	78005	Shaft, Reverse Idler
96	78006	Bearing, Bronze
97	78007	Shaft, Reverse Idler

REPAIR PARTS

36" RIDING LAWN TRACTOR-MODEL NUMBER L1219A
BRIGGS & STRATTON 11 H.P. ENGINE-MODEL NO. 252707, TYPE NO. 0172-01

CYLINDER, CRANKSHAFT AND ENGINE BASE GROUP

ALL ENGINE PARTS MUST BE PURCHASED THROUGH AND SERVICE PERFORMED BY YOUR LOCAL BRIGGS AND STRATTON DEALER.



REPAIR PARTS

36" RIDING LAWN TRACTOR-MODEL NUMBER L1219A
BRIGGS & STRATTON 11 H.P. ENGINE-MODEL NO. 252707, TYPE NO. 0172-01

CYLINDER, CRANKSHAFT AND ENGINE BASE GROUP

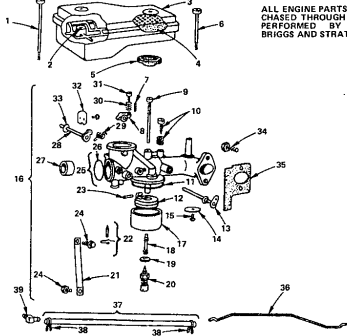
KEY NO.	PART NO.	DESCRIPTION	KEY NO.	PART NO.	DESCRIPTION
1	93158	Screw - Blower Housing Mounting Sem	51	91975	Seal - Oil
2	93159	Screw - Sem	52	39174	Sump - Oil (Inc. No's. 51 & 53)
3	22352	Screen - Fuel Rotating	53	27068	Gasket - Crankcase Cover - 105" Thick
4	82284	Nut - Hex	54	27018	Gasket - Crankcase Cover - 100" Thick
5	22355	Washer - Spring	55	29250	Tappet - Valve
6	22751	Screw - Spring Mounting	56	29250	Retainer - Exhaust Valve
7	93014	Screw - Sem	57	28828	Spring - Exhaust Valve
8	93776	Screw - Breaker Adjusting Sem	58	28185	Valve - Intake
9	29019	Spring - Breaker Arm	59	20162	Spring - Intake Valve
10	391284	Breaker Assy. - Ignition (Inc. No. 10)	60	63086	Retainer - Intake Valve
11	65104	Plunger - Breaker Point	61	22156	Key - Flywheel
12	391085	Seal - Oil	62	39154	Crankshaft
13	391085	Cylinder Assy. (Inc. No. 13)	63	61760	Screw - Sem
14	39172	Condenser	64	20100	Tube - Breather
15	93042	Screw - Sem	65	93394	Screw - Sem
16	39172	Condenser	66	20100	Tube - Breather
17	22155	Clamp - Casing	67	391408	Breather Assembly
18	93486	Screw - Sem	68	27863	Gasket - Valve Cover
19	93486	Screw - Control Bracket Mounting	69	22105	Bushing - Gov. Crank (1/4" I.D.)
20	231039	Spacer - Control Bracket Mounting	70	271075	Gasket - Cylinder Head
21	390622	Plate - Gov. Control	71	112000	Head - Cylinder
22	261305	Spring - Governor	72	391285	Piston Assy. - Standard (Inc. No's. 73 & 74)
23	81920	Screw - Terminal	73	391287	Piston Assy. - 010" O.S.
24	92791	Washer - Lock - Shakeproof	74	391288	Piston Assy. - 020" O.S.
25	86554	Collar - Insulating	75	391289	Lock - Piston Pin
26	93722	Terminal - Spade	76	391780	Ring Set - Piston - Std.
27	90676	Nut - Hex 8-32	77	391781	Ring Set - Piston - 010" O.S.
28	391802	Wire - Ground	78	391782	Ring Set - Piston - 020" O.S.
29	66958	Washer - Insulating	79	391783	Ring Set - Piston - 030" O.S.
30	93572	Washer - E-Ring	80	299691	Pin Assy. - Piston - Std. (Inc. No. 73)
31	93287	Retainer - E-Ring	81	391785	Pin Assy. - Piston - 010" O.S.
32	93306	Cotter - Hair Pin	82	391775	Rod Assy. - Connecting (Inc. 77 & 78)
33	231059	Crank - Governor (1/4" Dia.)	83	92969	Screw - Conn. Rod
34	222450	Washer - Gov. Crank (1/4" I.D.)	84	391775	Lock - Conn. Rod Screw
35	86513	Soft - Governor Lever	85	27259	Screw - Cylinder Head "L" Long
36	231082	Nut - Hex 10-24	86	92723	NOTE: 93781 Stud - Cylinder Head
37	391733	Lever Assy. - Governor (for 1/4" Dia. Crank) (Inc. No's. 35 & 36)	87	66538	Elbow - Spark Plug
38	261186	Link - Governor	88	222725	Plug - Spark (1 1/2" High - 37 - 42 MM)
39	291197	Spring - Governor Link	89	298809	NOTE: Spark Plugs use Ignition Cable
40	211875	Link - Counterweight	90	22744	Terminal No. 271788
41	286205	Pin - Counterweight	91	271907	Shield - Cylinder
42	391373	Counterweight Assy. (Inc. No. 41)	92	22744	Screw - Cylinder Shield Mfg. Sem
43	93275	Screw - Counterweight	93	396668	Armature Assy.
44	391764	Oil Slinger, Gov. Gear & Bracket Assy.	94	22744	Terminal - Ignition Cable
45	212795	Gear - Cam	95	18203	Screw - Armature Mounting Sem
46	93585	Screw - Sump Mounting Sem	96	222309	Puller - Flywheel
47	91094	Plug - Oil Drain	97	391841	Cover - Breaker Point
48	393411	Gasket Set	98	270820	Cap and Dipstick - Oil Filter

*STANDARD HARDWARE-PURCHASE LOCALLY

REPAIR PARTS

36" RIDING LAWN TRACTOR - MODEL NUMBER L1219AR
BRIGGS & STRATTON 11 H.P. ENGINE - MODEL NO. 252707, TYPE NO. 0172-01

AIR CLEANER AND CARBURETOR



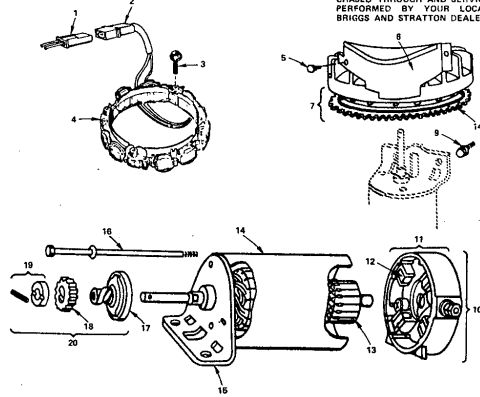
ALL ENGINE PARTS MUST BE PURCHASED THROUGH AND SERVICE PERFORMED BY YOUR LOCAL BRIGGS AND STRATTON DEALER.

KEY NO.	PART NO.	DESCRIPTION	KEY NO.	PART NO.	DESCRIPTION
1	93323	Screw - Air Cleaner	24	93572	Screw
2	280118	Support - Air Cleaner Element	25	391787	Body Ass'y. - Carburetor (Inc. No. 26)
3	391786	Cleaner Ass'y. - Air (Inc. No's. 2 & 4)	26	221997	*Plug - Wash
4	270843	Element - Air Cleaner	27	211960	Venturi - Carburetor
5	270853	Gasket - Air Cleaner	28	390894	Shaft & Lever - Choke
6	93322	Screw - Air Cleaner	29	261115	Spring - Choke Return
7	93043	Pin - Throttle Stop	30	26157	Spring - Throttle Adjustment
8	211712	Stop - Throttle	31	91520	Screw - Machine, Flat, Hd. 8 - 32 x 5/8"
9	296740	Nozzle - Carburetor	32	222010	Valve Choke
10	292681	*Valve Ass'y. - Carburetor Idle	33	270382	Washer - Choke Shaft
11	270511	*Gasket - Float Bowl	34	93321	Screw - Carburetor Mtg.
12	299707	Float - Carburetor	35	270872	*Gasket - Carburetor Mtg.
13	391512	Shaft & Lever - Throttle	36	291224	Link - Choke
14	222858	Valve - Throttle	37	296004	Pipe - Fuel (Inc. No. 38)
15	93499	Screw - Throttle & Choke Valve Mtg.	38	93053	Clamp - Fuel Pipe
16	393410	Carburetor Ass'y. (Choke-A-Matic) (Inc. No's. 7 thru 23)	39	67218	Connector - Fuel Pipe
17	221995	Bowl - Float			
18	230652	*Screw - Nozzle			*INCLUDED IN CARBURETOR OVERHAUL KIT - PART NO. 299852
19	222014	*Washer - Float Bowl			*INCLUDED IN GASKET SET - PART NO. 393411
20	391233	*Valve - Needle			
21	222511	Bracket - Carburetor			
22	299098	*Valve - Fuel Inlet			
23	230696	*Pin - Float Hinge			

REPAIR PARTS

36" RIDING LAWN TRACTOR - MODEL NUMBER L1219AR
BRIGGS & STRATTON 11 H.P. ENGINE - MODEL NO. 252707, TYPE NO. 0172-01

ALTERNATOR AND STARTER MOTOR GROUP

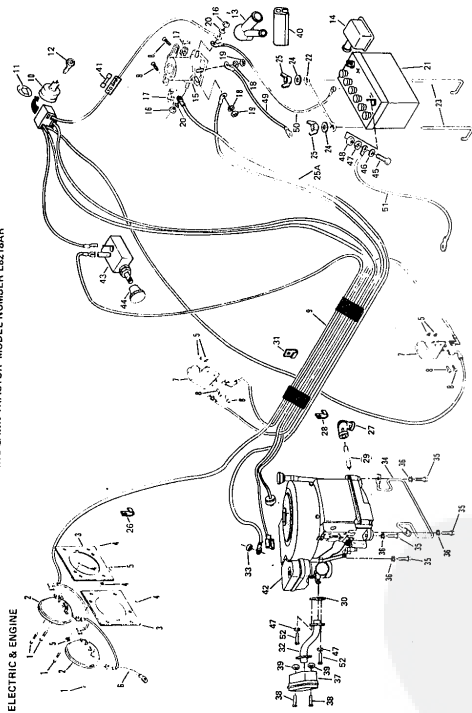


ALL ENGINE PARTS MUST BE PURCHASED THROUGH AND SERVICE PERFORMED BY YOUR LOCAL BRIGGS AND STRATTON DEALER.

KEY NO.	PART NO.	DESCRIPTION	KEY NO.	PART NO.	DESCRIPTION
1	393362	Alt. Harness Assembly	10	392749	Motor and Drive Ass'y. (12 Volt) (Inc. No's. 11 thru 20)
2	393456	Diode and Conn. Assembly	11	390846	End Cap Ass'y. Commutator (Inc. No. 12)
3	93621	Screw - Set	12	391705	Brush Ass'y.
4	394474	Stator - Alternator	13	390233	Cover and Shield - Starter
5	53410	Screw - Ring	14	292744	Flywheel & Ring Gear Ass'y. - Magneto (Inc. No. 14)
6	390233	Cover and Shield - Starter	15	391705	Thru Bolt Ass'y.
7	391698	Flywheel & Ring Gear Ass'y. - Magneto (Inc. No. 14)	16	280104	Gear
8	393134	Gear - Ring (Inc. Mounting Parts)	17	391462	Retainer & Pin
9	93623	Screw - Set	18	280104	Gear
			19	391461	Drive Ass'y. (Inc. No's. 17, 18 & 19)
			20	391461	Drive Ass'y. (Inc. No's. 17, 18 & 19)

REPAIR PARTS

ELECTRIC & ENGINE



REPAIR PARTS

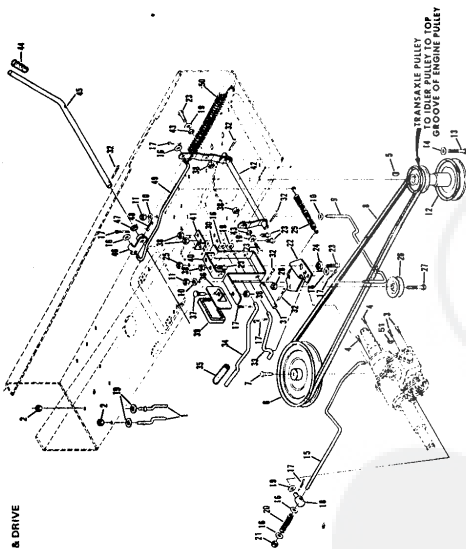
ELECTRIC & ENGINE

KEY NO.	PART NO.	DESCRIPTION	KEY NO.	PART NO.	DESCRIPTION
1	65421	Screw, Machine Truss Head	27	4017P	Sd. Elbow 90° 3/8 - 18 NPT
2	6452R	Washer, 1/2 x 1	28	3245R	Insulated Clip
3	23005	Headlight	29	27144	Exhaust Gasket
4	3005	Headlight Support - 24	30	27144	Exhaust Gasket
5	661P	Nut, Lock No. 10 - 24	31	27144	Exhaust Gasket
6	661P	Nut, Lock No. 10 - 24	32	27144	Exhaust Gasket
7	7758R	Safety Switch	33	5980	Screw, Hex, Hd. Thru, Rolling
8	3359P	Screw, Machine Phillips Head	34	5980P	Washer, Lock 3/8
9	478	Wire Harness	35	104MP	Washer, Lock 3/8
10	8557R	Terminal Identifier	36	2715	Marbler
11	8557R	Terminal Identifier	37	2715	Marbler
12	252H	Key-Set (Over) (Dual)	38	5492	Nut, Lock 5/16 - 18
13	252H	Terminal Cover (Dual)	39	5492	Nut, Lock 5/16 - 18
14	252J	Terminal Cover (Dual)	40	5347R	Frame - 20 Arms
15	539R	Nut, Hex Jam 5/16 - 24	41	19107	Engine - Briggs and Stratton 8 H.P. (Inc. Paper 20 thru 28)
16	539R	Nut, Hex Jam 5/16 - 24	42	7738R	Light Switch
17	608B1	Nut, Speed No. 10 - 24	43	1506P	*Washer 9/32 x 5/8 x 1/8 Gh.
18	543P	Nut, Hex No. 10 - 32	44	2029P	*Hex Nut 1/4 - 20 x 3/4
19	543P	Nut, Hex No. 10 - 32	45	2029P	*Hex Nut 1/4 - 20
20	2282P	Battery Rod	46	803P	*Hex Nut 1/4 - 20
21	2282P	Battery Rod	47	803P	*Hex Nut 1/4 - 20
22	2282P	Battery Rod	48	803P	*Hex Nut 1/4 - 20
23	2282P	Battery Rod	49	803P	*Hex Nut 1/4 - 20
24	2282P	Battery Rod	50	803P	*Hex Nut 1/4 - 20
25	2282P	Battery Rod	51	803P	*Hex Nut 1/4 - 20
26	2282P	Battery Rod	52	803P	*Hex Nut 1/4 - 20
			53	803P	*Hex Nut 1/4 - 20
			54	803P	*Hex Nut 1/4 - 20
			55	803P	*Hex Nut 1/4 - 20
			56	803P	*Hex Nut 1/4 - 20
			57	803P	*Hex Nut 1/4 - 20
			58	803P	*Hex Nut 1/4 - 20
			59	803P	*Hex Nut 1/4 - 20
			60	803P	*Hex Nut 1/4 - 20
			61	803P	*Hex Nut 1/4 - 20
			62	803P	*Hex Nut 1/4 - 20
			63	803P	*Hex Nut 1/4 - 20
			64	803P	*Hex Nut 1/4 - 20
			65	803P	*Hex Nut 1/4 - 20
			66	803P	*Hex Nut 1/4 - 20
			67	803P	*Hex Nut 1/4 - 20
			68	803P	*Hex Nut 1/4 - 20
			69	803P	*Hex Nut 1/4 - 20
			70	803P	*Hex Nut 1/4 - 20
			71	803P	*Hex Nut 1/4 - 20
			72	803P	*Hex Nut 1/4 - 20
			73	803P	*Hex Nut 1/4 - 20
			74	803P	*Hex Nut 1/4 - 20
			75	803P	*Hex Nut 1/4 - 20
			76	803P	*Hex Nut 1/4 - 20
			77	803P	*Hex Nut 1/4 - 20
			78	803P	*Hex Nut 1/4 - 20
			79	803P	*Hex Nut 1/4 - 20
			80	803P	*Hex Nut 1/4 - 20
			81	803P	*Hex Nut 1/4 - 20
			82	803P	*Hex Nut 1/4 - 20
			83	803P	*Hex Nut 1/4 - 20
			84	803P	*Hex Nut 1/4 - 20
			85	803P	*Hex Nut 1/4 - 20
			86	803P	*Hex Nut 1/4 - 20
			87	803P	*Hex Nut 1/4 - 20
			88	803P	*Hex Nut 1/4 - 20
			89	803P	*Hex Nut 1/4 - 20
			90	803P	*Hex Nut 1/4 - 20
			91	803P	*Hex Nut 1/4 - 20
			92	803P	*Hex Nut 1/4 - 20
			93	803P	*Hex Nut 1/4 - 20
			94	803P	*Hex Nut 1/4 - 20
			95	803P	*Hex Nut 1/4 - 20
			96	803P	*Hex Nut 1/4 - 20
			97	803P	*Hex Nut 1/4 - 20
			98	803P	*Hex Nut 1/4 - 20
			99	803P	*Hex Nut 1/4 - 20
			100	803P	*Hex Nut 1/4 - 20

*STANDARD HARDWARE PURCHASE LOCALLY

REPAIR PARTS

36" RIDING LAWN TRACTOR—MODEL NUMBER LZ21BAR
CLUTCH BRAKE & DRIVE



REPAIR PARTS

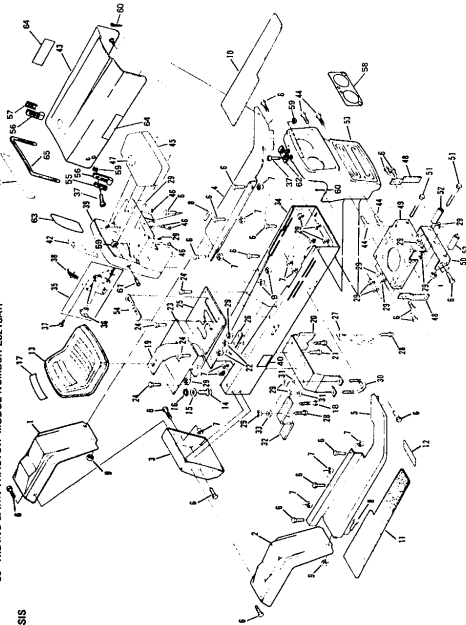
36" RIDING LAWN TRACTOR—MODEL NUMBER LZ21BAR
CLUTCH BRAKE & DRIVE

KEY PART NO.	DESCRIPTION	KEY PART NO.	DESCRIPTION
1	Roll Guide	23	*Nut, Hex Head 5/16 - 18 x 3/4
2	Nut, Lock 5/16 - 18	24	Washer
3	Screw, Hex Head w/Washer	25	Nut, Lock 5/16 - 18
4	Screw, Hex Head w/Washer	26	*Nut, Hex Head 3/8 - 16 x 1 - 1/2
5	Pulley, Transaxle	27	*Nut, Hex Head 5/16 - 18 x 3/4
6	*Washer, 3/8 x .750 x .063	28	Spring, 1.50" Dia.
7	*Washer, 3/8 x .750 x .063	29	Spring, 1.50" Dia.
8	*Washer, 3/8 x .750 x .063	30	Spring, 1.50" Dia.
9	*Washer, 3/8 x .750 x .063	31	*Center Pin, 1/8 x 1
10	*Washer, 3/8 x .750 x .063	32	*Center Pin, 1/8 x 1
11	*Washer, 3/8 x .750 x .063	33	*Center Pin, 1/8 x 1
12	*Washer, 3/8 x .750 x .063	34	*Center Pin, 1/8 x 1
13	*Washer, 3/8 x .750 x .063	35	*Center Pin, 1/8 x 1
14	*Washer, 3/8 x .750 x .063	36	*Center Pin, 1/8 x 1
15	*Washer, 3/8 x .750 x .063	37	*Center Pin, 1/8 x 1
16	*Washer, 3/8 x .750 x .063	38	*Center Pin, 1/8 x 1
17	*Washer, 3/8 x .750 x .063	39	*Center Pin, 1/8 x 1
18	*Washer, 3/8 x .750 x .063	40	*Center Pin, 1/8 x 1
19	*Washer, 3/8 x .750 x .063	41	*Center Pin, 1/8 x 1
20	*Washer, 3/8 x .750 x .063	42	*Center Pin, 1/8 x 1
21	*Washer, 3/8 x .750 x .063	43	*Center Pin, 1/8 x 1
22	*Washer, 3/8 x .750 x .063	44	*Center Pin, 1/8 x 1

*STANDARD HARDWARE—PURCHASE LOCALLY

REPAIR PARTS

36" RIDING LAWN TRACTOR—MODEL NUMBER LZ21BAR
CHASSIS



REPAIR PARTS

36" RIDING LAWN TRACTOR—MODEL NUMBER LZ21BAR
CHASSIS

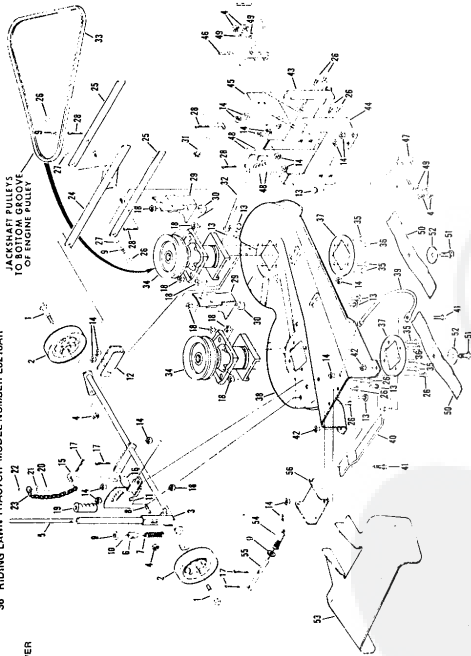
KEY PART NO.	DESCRIPTION	KEY PART NO.	DESCRIPTION
1	Frame, L.H.	35	Throttle Control Lever (Inc. Key No. 28)
2	Frame, R.H.	36	Seat Assembly (See Key No. 10, 24 & 1/2)
3	*Nut, Lock 5/16 - 18	37	Seat Mounting Bracket
4	*Nut, Lock 5/16 - 18	38	*Nut, Lock 5/16 - 18
5	*Nut, Lock 5/16 - 18	39	*Nut, Lock 5/16 - 18
6	*Nut, Lock 5/16 - 18	40	*Nut, Lock 5/16 - 18
7	*Nut, Lock 5/16 - 18	41	*Nut, Lock 5/16 - 18
8	*Nut, Lock 5/16 - 18	42	*Nut, Lock 5/16 - 18
9	*Nut, Lock 5/16 - 18	43	*Nut, Lock 5/16 - 18
10	*Nut, Lock 5/16 - 18	44	*Nut, Lock 5/16 - 18
11	*Nut, Lock 5/16 - 18	45	*Nut, Lock 5/16 - 18
12	*Nut, Lock 5/16 - 18	46	*Nut, Lock 5/16 - 18
13	*Nut, Lock 5/16 - 18	47	*Nut, Lock 5/16 - 18
14	*Nut, Lock 5/16 - 18	48	*Nut, Lock 5/16 - 18
15	*Nut, Lock 5/16 - 18	49	*Nut, Lock 5/16 - 18
16	*Nut, Lock 5/16 - 18	50	*Nut, Lock 5/16 - 18
17	*Nut, Lock 5/16 - 18	51	*Nut, Lock 5/16 - 18
18	*Nut, Lock 5/16 - 18	52	*Nut, Lock 5/16 - 18
19	*Nut, Lock 5/16 - 18	53	*Nut, Lock 5/16 - 18
20	*Nut, Lock 5/16 - 18	54	*Nut, Lock 5/16 - 18
21	*Nut, Lock 5/16 - 18	55	*Nut, Lock 5/16 - 18
22	*Nut, Lock 5/16 - 18	56	*Nut, Lock 5/16 - 18
23	*Nut, Lock 5/16 - 18	57	*Nut, Lock 5/16 - 18
24	*Nut, Lock 5/16 - 18	58	*Nut, Lock 5/16 - 18
25	*Nut, Lock 5/16 - 18	59	*Nut, Lock 5/16 - 18
26	*Nut, Lock 5/16 - 18	60	*Nut, Lock 5/16 - 18
27	*Nut, Lock 5/16 - 18	61	*Nut, Lock 5/16 - 18
28	*Nut, Lock 5/16 - 18	62	*Nut, Lock 5/16 - 18
29	*Nut, Lock 5/16 - 18	63	*Nut, Lock 5/16 - 18
30	*Nut, Lock 5/16 - 18	64	*Nut, Lock 5/16 - 18
31	*Nut, Lock 5/16 - 18	65	*Nut, Lock 5/16 - 18
32	*Nut, Lock 5/16 - 18	66	*Nut, Lock 5/16 - 18
33	*Nut, Lock 5/16 - 18	67	*Nut, Lock 5/16 - 18
34	*Nut, Lock 5/16 - 18	68	*Nut, Lock 5/16 - 18

*STANDARD HARDWARE—PURCHASE LOCALLY

REPAIR PARTS

36" RIDING LAWN TRACTOR—MODEL NUMBER LB21BAR

MOWER



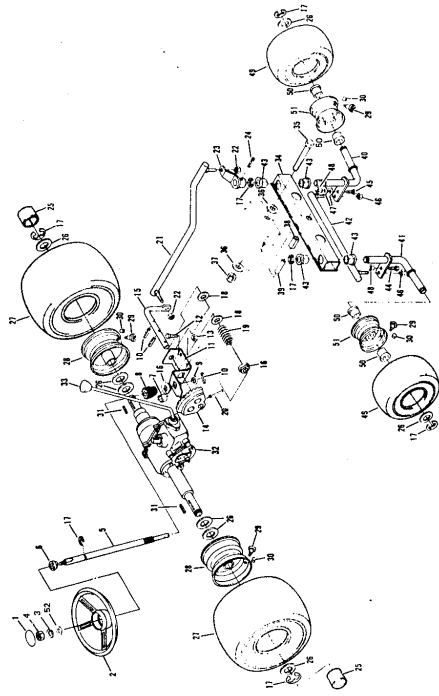
KEY NO.	PART NO.	DESCRIPTION
1	6053R	Axle Bolt
2	71071	Front Rod
3	71071	Front Rod Assembly
4	694A1	Nut, Lock 3/8 - 16
5	71071	Washer, 23/32 x 7/8 x .063
6	71071	Purser
7	71071	Spring Pin - Slotted 1/4 x 1 - 1/2
8	44990	Washer, 23/32 x 7/8 x .063
9	5999R	Washer, 23/32 x 7/8 x .063
10	72917	Clamp
11	72917	Clamp Assembly
12	597	Spring
13	597	Spring Pin - Slotted 1/4 x 1 - 1/2
14	6710R	Nut, Lock 5/16 - 18
15	6710R	Nut, Lock 5/16 - 18
16	71301	Washer, 23/32 x 7/8 x .063
17	71301	Washer, 23/32 x 7/8 x .063
18	71301	Washer, 23/32 x 7/8 x .063
19	71301	Washer, 23/32 x 7/8 x .063
20	71301	Washer, 23/32 x 7/8 x .063
21	71301	Washer, 23/32 x 7/8 x .063
22	71301	Washer, 23/32 x 7/8 x .063
23	71301	Washer, 23/32 x 7/8 x .063
24	71301	Washer, 23/32 x 7/8 x .063
25	71301	Washer, 23/32 x 7/8 x .063
26	71301	Washer, 23/32 x 7/8 x .063
27	71301	Washer, 23/32 x 7/8 x .063
28	2909P	Center Pin 1/8 x 1

*STANDARD HARDWARE—PURCHASE LOCALLY

REPAIR PARTS

36" RIDING LAWN TRACTOR—MODEL NUMBER LB21BAR

STEERING & WHEELS

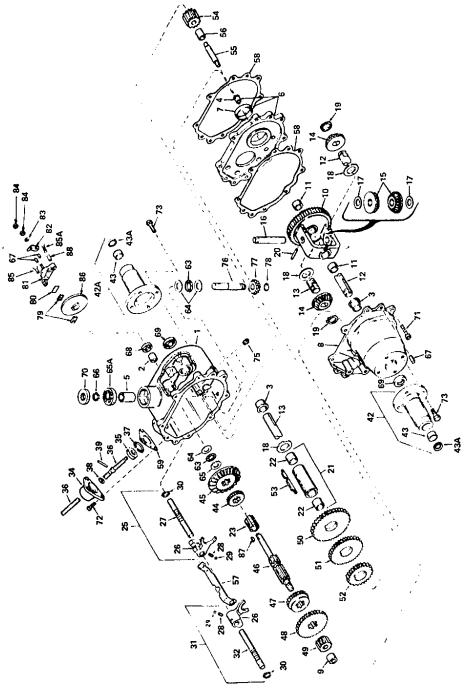


KEY NO.	PART NO.	DESCRIPTION
1	6053R	Axle Bolt
2	6053R	Axle Bolt
3	1000P	Steering Wheel
4	694A1	Nut, Lock 3/8 - 16
5	74279	Washer, 23/32 x 7/8 x .063
6	74279	Washer, 23/32 x 7/8 x .063
7	74279	Washer, 23/32 x 7/8 x .063
8	74279	Washer, 23/32 x 7/8 x .063
9	74279	Washer, 23/32 x 7/8 x .063
10	52739	Spring Pin 3/16 x 1
11	52739	Spring Pin 3/16 x 1
12	52739	Spring Pin 3/16 x 1
13	52739	Spring Pin 3/16 x 1
14	52739	Spring Pin 3/16 x 1
15	52739	Spring Pin 3/16 x 1
16	52739	Spring Pin 3/16 x 1
17	52739	Spring Pin 3/16 x 1
18	52739	Spring Pin 3/16 x 1
19	52739	Spring Pin 3/16 x 1
20	52739	Spring Pin 3/16 x 1
21	52739	Spring Pin 3/16 x 1
22	52739	Spring Pin 3/16 x 1
23	52739	Spring Pin 3/16 x 1
24	52739	Spring Pin 3/16 x 1
25	52739	Spring Pin 3/16 x 1
26	52739	Spring Pin 3/16 x 1
27	52739	Spring Pin 3/16 x 1
28	71653	Rim

*STANDARD HARDWARE—PURCHASE LOCALLY

REPAIR PARTS

36" RIDING LAWN TRACTOR-MODEL NUMBER L8218AR
TRANSAKLE NO. 784191-MODEL NUMBER 143.658



REPAIR PARTS

36" RIDING LAWN TRACTOR-MODEL NUMBER L8218AR
TRANSAKLE NO. 784191-MODEL NUMBER 143.658

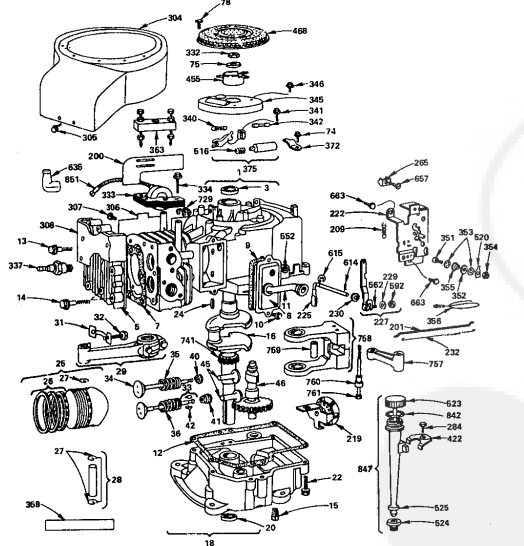
KEY NO.	PART NO.	DESCRIPTION	KEY NO.	PART NO.	DESCRIPTION
1	734191	Complete Transaxle	227	391733	Lever Assy. - Governor (For 1/4" Dia. Crank)
2	730093	Gear Assy. No. Transaxle (Inc. No. 2, 2.8 & 5)	229	220680	Washer - Flat
3	730094	Gasket - Valve Cover	230	224450	Washer - Gov. Lever (1 1/4" I.D.)
4	730095	Timing Belt	232	260584	Spring - Governor Link
5	730096	Timing Bracket	265	221535	Clamp - Casing
6	730097	Timing Cover	298	93084	Screw - Clamp Mtg.
7	730098	Timing Pulley	304	381379	Housing - Blower
8	730099	Timing Pulley (35T Teeth)	305	222830	Screw - Blower Housing Mounting Sem
9	730100	Timing Pulley (35T Teeth)	306	222830	Shield - Cylinder
10	730101	Timing Pulley (35T Teeth)	307	93153	Screw - Cylinder Shield Mtg. Sem
11	730102	Timing Pulley (35T Teeth)	308	222636	Cover - Cylinder Head
12	730103	Timing Pulley (35T Teeth)	322	93284	Nut - Flywheel
13	730104	Timing Pulley (35T Teeth)	333	238988	Armature Assembly
14	730105	Timing Pulley (35T Teeth)	334	93381	Screw - Armature Mounting Sem
15	730106	Timing Pulley (35T Teeth)	337	233918	Plug, Spark (1 - 1/2" High - 38 M.M. Resistor)
16	730107	Timing Pulley (35T Teeth)	340	20218	NOTE: Ignition Cable Terminal No. 221798
17	730108	Timing Pulley (35T Teeth)	341	93381	Screw - Breaker Arm
18	730109	Timing Pulley (35T Teeth)	342	65704	Plunger - Breaker Point
19	730110	Timing Pulley (35T Teeth)	345	221117	Cover - Breaker Point
20	730111	Timing Pulley (35T Teeth)	346	93014	Screw - Sem
21	730112	Timing Pulley (35T Teeth)	351	93755	Screw - Terminal
22	730113	Timing Pulley (35T Teeth)	352	69068	Washer - Insulating
23	730114	Timing Pulley (35T Teeth)	353	93791	Washer - Lock Shakerproof
24	730115	Timing Pulley (35T Teeth)	354	96576	Nut - Hex 8 - 32
25	730116	Timing Pulley (35T Teeth)	355	95554	Collar - Insulating
26	730117	Timing Pulley (35T Teeth)	356	299500	Wire - Ground
27	730118	Timing Pulley (35T Teeth)	358	299577	Gasket Set
28	730119	Timing Pulley (35T Teeth)	363	19165	Pusher - Flywheel
29	730120	Timing Pulley (35T Teeth)	372	220477	Clamp - Condenser
30	730121	Timing Pulley (35T Teeth)	375	238428	Breaker Points and Condenser Set
31	730122	Timing Pulley (35T Teeth)	422	NOTE: 299081 Ignition Kit Includes 294626 Point Set, 65704 Plunger, 61760 Key, Flywheel	
32	730123	Timing Pulley (35T Teeth)	455	227561	Clamp - Oil Filler Tube
33	730124	Timing Pulley (35T Teeth)	468	227562	Screen - Flush Rotating
34	730125	Timing Pulley (35T Teeth)	524	68838	Seal - Filler Tube
35	730126	Timing Pulley (35T Teeth)	525	980133	Tube - Oil Filler
36	730127	Timing Pulley (35T Teeth)	562	231055	Bushing - Gov. Crank (1 1/4" I.D.)
37	730128	Timing Pulley (35T Teeth)	567	231082	Nut - Hex 10 - 24
38	730129	Timing Pulley (35T Teeth)	614	93306	Cotter - Hair Pin
39	730130	Timing Pulley (35T Teeth)	615	93307	Retainer - E-Ring
40	730131	Timing Pulley (35T Teeth)	635	66538	Elbow - Spark Plug
41	730132	Timing Pulley (35T Teeth)	657	93490	Screw - Sem
42	730133	Timing Pulley (35T Teeth)	663	93572	Screw
43	730134	Timing Pulley (35T Teeth)	729	22190	Clip - Wire
44	730135	Timing Pulley (35T Teeth)	741	261195	Gear - Timing
45	730136	Timing Pulley (35T Teeth)	757	211875	Link - Counterweight
46	730137	Timing Pulley (35T Teeth)	768	390172	Counterweight Assy.
47	730138	Timing Pulley (35T Teeth)	759	268909	Pin - Counterweight
48	730139	Timing Pulley (35T Teeth)	760	238940	Spacer - Counterweight
49	730140	Timing Pulley (35T Teeth)	761	93874	Screw - Counterweight
50	730141	Timing Pulley (35T Teeth)	842	220920	Seal - Filler Cap
51	730142	Timing Pulley (35T Teeth)	843	392066	Filler Group - Oil
52	730143	Timing Pulley (35T Teeth)	851	221798	Terminal - Ignition Cable
53	730144	Timing Pulley (35T Teeth)			INCLUDED IN GASKET SET - PART NO. 299577

REPAIR PARTS

36" RIDING LAWN TRACTOR-MODEL NUMBER L8218AR
BRIGGS & STRATTON 8 H.P. ENGINE-MODEL NO. 191707, TYPE NO. 5627-01

CYLINDER, CRANKSHAFT AND ENGINE BASE GROUP

ALL ENGINE PARTS MUST BE PURCHASED THROUGH AND SERVICE PERFORMED BY YOUR LOCAL BRIGGS AND STRATTON DEALER.



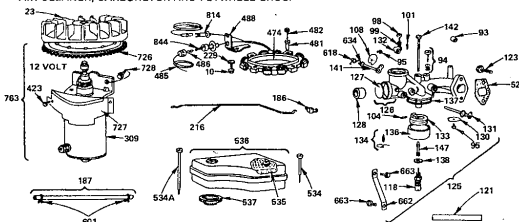
REPAIR PARTS

36" RIDING LAWN TRACTOR-MODEL NUMBER L8218AR
BRIGGS & STRATTON 8 H.P. ENGINE-MODEL NO. 191707, TYPE NO. 5627-01

KEY NO.	PART NO.	DESCRIPTION	KEY NO.	PART NO.	DESCRIPTION
1	392005	Cylinder Assembly (Inc. Key No. 3)	227	391733	Lever Assy. - Governor (For 1/4" Dia. Crank)
2	391726	Shafting - Cylinder	229	220680	Washer - Flat
3	294606	Seal - Oil	230	224450	Washer - Gov. Lever (1 1/4" I.D.)
4	212285	Gasket - Valve Cover	232	260584	Spring - Governor Link
5	270430	Gasket - Valve Cover	265	221535	Clamp - Casing
6	270430	Gasket - Valve Cover	298	93084	Screw - Clamp Mtg.
7	270430	Gasket - Valve Cover	304	381379	Housing - Blower
8	391406	Breaker Tube Assembly	305	222830	Screw - Blower Housing Mounting Sem
9	270430	Gasket - Valve Cover	306	222830	Shield - Cylinder
10	93304	Screw - Sem	307	93153	Screw - Cylinder Shield Mtg. Sem
11	280005	Tube - Breaker	308	222636	Cover - Cylinder Head
12	27750	*Gasket - Crankcase Cover - 1/84"	322	93284	Nut - Flywheel
13	27876	*Gasket - Crankcase Cover - .005"	333	238988	Armature Assembly
14	27877	*Gasket - Crankcase Cover - .008"	334	93381	Screw - Armature Mounting Sem
15	93211	Thick	337	233918	Plug, Spark (1 - 1/2" High - 38 M.M. Resistor)
16	93211	Thin	340	20218	NOTE: Ignition Cable Terminal No. 221798
17	93211	Very Thin	341	93381	Screw - Breaker Arm
18	93211	Very Thick	342	65704	Plunger - Breaker Point
19	93211	Very Thick	345	221117	Cover - Breaker Point
20	93211	Very Thick	346	93014	Screw - Sem
21	93211	Very Thick	351	93755	Screw - Terminal
22	93211	Very Thick	352	69068	Washer - Insulating
23	93211	Very Thick	353	93791	Washer - Lock Shakerproof
24	93211	Very Thick	354	96576	Nut - Hex 8 - 32
25	93211	Very Thick	355	95554	Collar - Insulating
26	93211	Very Thick	356	299500	Wire - Ground
27	93211	Very Thick	358	299577	Gasket Set
28	93211	Very Thick	363	19165	Pusher - Flywheel
29	93211	Very Thick	372	220477	Clamp - Condenser
30	93211	Very Thick	375	238428	Breaker Points and Condenser Set
31	93211	Very Thick	422	NOTE: 299081 Ignition Kit Includes 294626 Point Set, 65704 Plunger, 61760 Key, Flywheel	
32	93211	Very Thick	455	227561	Clamp - Oil Filler Tube
33	93211	Very Thick	468	227562	Screen - Flush Rotating
34	93211	Very Thick	524	68838	Seal - Filler Tube
35	93211	Very Thick	525	980133	Tube - Oil Filler
36	93211	Very Thick	562	231055	Bushing - Gov. Crank (1 1/4" I.D.)
37	93211	Very Thick	567	231082	Nut - Hex 10 - 24
38	93211	Very Thick	614	93306	Cotter - Hair Pin
39	93211	Very Thick	615	93307	Retainer - E-Ring
40	93211	Very Thick	635	66538	Elbow - Spark Plug
41	93211	Very Thick	657	93490	Screw - Sem
42	93211	Very Thick	663	93572	Screw
43	93211	Very Thick	729	22190	Clip - Wire
44	93211	Very Thick	741	261195	Gear - Timing
45	93211	Very Thick	757	211875	Link - Counterweight
46	93211	Very Thick	768	390172	Counterweight Assy.
47	93211	Very Thick	759	268909	Pin - Counterweight
48	93211	Very Thick	760	238940	Spacer - Counterweight
49	93211	Very Thick	761	93874	Screw - Counterweight
50	93211	Very Thick	842	220920	Seal - Filler Cap
51	93211	Very Thick	843	392066	Filler Group - Oil
52	93211	Very Thick	851	221798	Terminal - Ignition Cable

REPAIR PARTS

36" RIDING LAWN TRACTOR-MODEL NUMBER L8218AR
BRIGGS & STRATTON 8 H.P. ENGINE-MODEL NO. 191707, TYPE NO. 5627-01
AIR CLEANER, CARBURETOR AND FLYWHEEL GROUP



KEY NO.	PART NO.	DESCRIPTION	KEY NO.	PART NO.	DESCRIPTION
10	53394	Screw - Sem	216	381117	Link Clutch
23	391483	Flywheel and Ring Gear As'y. - Magneto	229	220680	Washer, Flat
52	27824	Gasket - Carburetor Mounting	309	392749	Motor and Drive As'y. (See Breakdown of Parts Below)
53	23108	Bushing - Throttle Shaft	423	58410	Screw - Sem
84	26051	Valve Assembly - Carburetor Idle	481	391532	Screw - Sem
85	53499	Screw - Throttle and Choke Valve Mtg.	482	238970	Bushing - Stator
96	91920	Screw - Machine Fill, Hd. 8 - 32 x 5/8"	485	39321	Screw - Sem
99	26157	Spring - Throttle Adjustment	486	390888	Knob As'y. - Fuse
101	53043	Pin - Throttle Stop	488	391507	Diode - Alternator
104	238986	*Pin - Float Hinge	488	222211	Bracket - Output
108	222010	*Valve Needle	534A	53622	Screw - Air Cleaner
118	391233	Carburetor Overhaul Kit	534A	93223	Screw - Air Cleaner
123	29852	Valve Choke	536	370238	Element - Air Cleaner
125	53387	Screw - Carburetor Mtg.	536	391399	Cleaner Assembly - Air
126	29851	Carburetor Assembly	537	270539	Uses 280111 Support, Air Cleaner Element (Plastic)
127	211927	Body Assembly - Carburetor	611	93053	Gasket - Air Cleaner
128	211682	*Plug - Wash	618	261116	Clamp - Fuel Pipe
130	211898	Venturi - Carburetor	618	281116	Spring - Choke Return
131	381512	Shaft and Lever - Throttle	634	270382	Washer - Choke Shaft
132	211712	Stop - Throttle	662	222027	Bracket - Carburetor
133	289707	Float - Carburetor	863	93672	Screw
136	289696	Valve - Fuel Inlet	726	392134	Gear - Ring
138	221868	*Gasket - Float Bowl	727	382233	Cover and Shield - Starter
141	390884	*Washer - Float Bowl	728	93053	Screw - Sem
142	280740	Shaft and Lever - Choke	783	391604	Electric Starter Kit - 12 Volt (Gear Drive)
147	299327	*Screw - Carburetor	814	390887	Wire - Assembly - 7 Amp. Alternator
186	67218	Connector - Fuel Pipe	844	391289	Spring - Diode
187	296004	Pipe - Fuel			

*Included in Carburetor Overhaul Kit - Part No. 299852

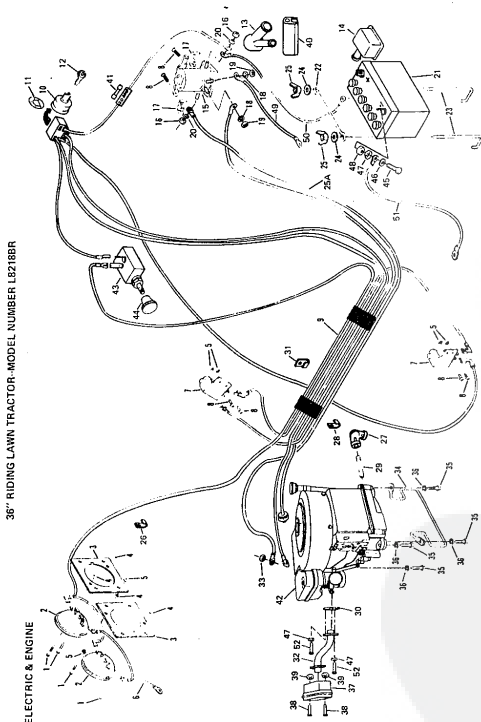
STARTER MOTOR GROUP

KEY NO.	PART NO.	DESCRIPTION
310	391708	Thru Bolt As'y.
311	391706	Brush As'y.
510	391461	*Drive As'y.
544	397747	Armature As'y.
801	391761	End Cap As'y., Drive
802	390848	End Cap As'y., Commutator
803	392744	Housing As'y.

*Includes Brush Set
No. 381135 Clutch As'y. (Key No. 513)
No. 280104 Gear (Key No. 783)
No. 391462 Retainer and Pin (Key No. 773)

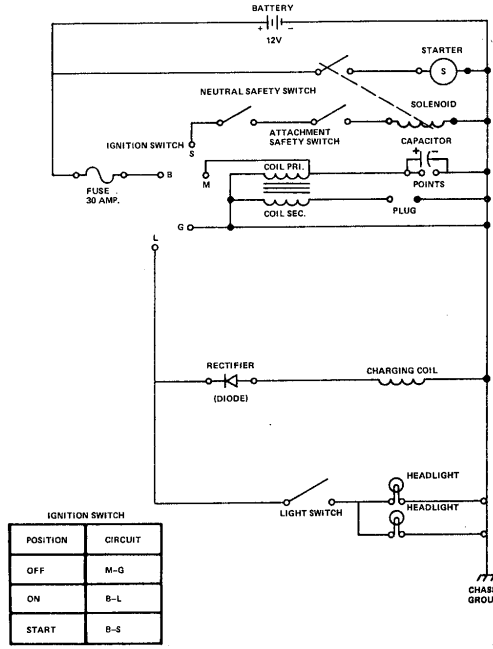
REPAIR PARTS

ELECTRIC & ENGINE



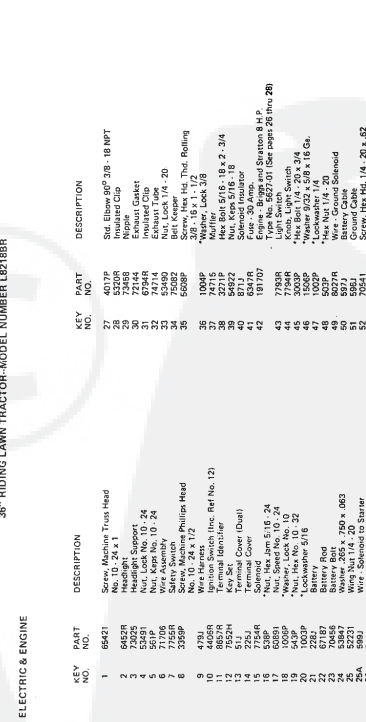
REPAIR PARTS

36" RIDING LAWN TRACTOR-MODEL NUMBER L8218AR
SCHEMATIC DIAGRAM



REPAIR PARTS

ELECTRIC & ENGINE

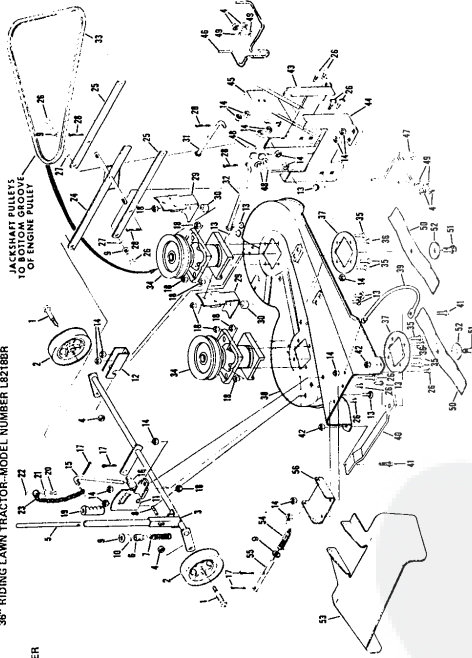


*STANDARD HARDWARE PURCHASE LOCALLY

REPAIR PARTS

36" RIDING LAWN TRACTOR—MODEL NUMBER L8218BR

MOWER

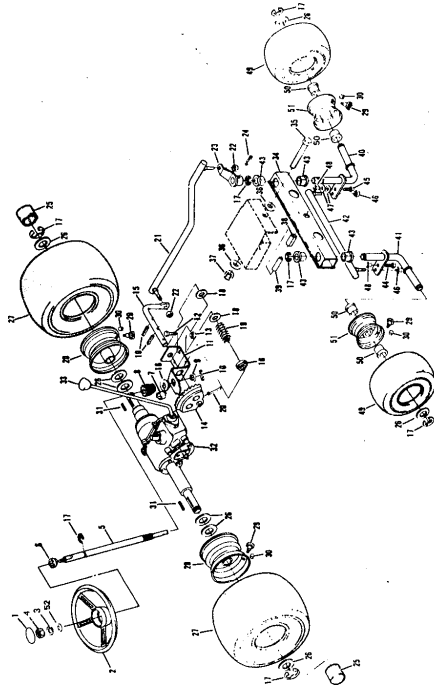


JACKSHAFT PULLEYS
OF ENGINE PULLEY

REPAIR PARTS

36" RIDING LAWN TRACTOR—MODEL NUMBER L8218BR

STEERING & WHEELS



REPAIR PARTS

36" RIDING LAWN TRACTOR—MODEL NUMBER L8218BR

MOWER

KEY NO.	PART NO.	DESCRIPTION	KEY NO.	PART NO.	DESCRIPTION
2	65529	Eye Bolt	20	71822	Ball, Spring Assembly
3	71821	Pin, Rod Assembly	21	71825	Brake Rod - L.H.
4	71822	Pin, Lock 3/8" x 1/8"	22	71826	Brake Rod - R.H.
5	73983	Lock 3/8" x 1/8"	23	62920	Bolt
6	71823	Pin, Spring	24	71824	Bolt, Hex Head 3/8" x 1 1/2"
7	71824	Spring	25	35231	Bolt, Hex Head 3/8" x 1 1/2"
8	54880	Spring Pin - Slotted 1/4" x 1 1/2"	26	30274	Bolt, Hex Head 5/16" x 1 1/2"
9	54881	Spring Pin - Slotted 1/4" x 1 1/2"	27	67743	Housing w/SH, Screening
10	52970	Spring Pin 1/8" x 5/8"	28	67744	Housing w/SH, Screening
11	52971	Spring Pin 1/8" x 5/8"	29	71827	Screw, Machine 5/16" x 1 1/2"
12	62337	Pin, Rod Assembly	30	71828	Screw, Machine 5/16" x 1 1/2"
13	159	Pin, Lock 3/8" x 1/8"	31	51457	Bracket - L.H.
14	159	Pin, Lock 3/8" x 1/8"	32	71829	Bracket - R.H.
15	71300	Adjustment Rod	33	71276	Bracket - R.H.
16	71300	Adjustment Rod	34	71277	Bracket - R.H.
17	23759	Pin, Lock 3/8" x 1/8"	35	71278	Bracket - R.H.
18	62235	Pin, Lock 3/8" x 1/8"	36	199	Belt Kicker - R.H.
19	62235	Pin, Lock 3/8" x 1/8"	37	71280	Belt Kicker - L.H.
20	23759	Pin, Lock 3/8" x 1/8"	38	71281	Belt Kicker - L.H.
21	65329	Phillips Pan-Head Machine Screw	39	71282	Belt Kicker - L.H.
22	53800	Washer, 206 x 1.003	40	199	Belt Kicker - L.H.
23	72915	Parallel Rod Assembly	41	71283	Belt Kicker - L.H.
24	72915	Parallel Rod Assembly	42	71284	Belt Kicker - L.H.
25	62742	Discharge Guard	43	71285	Belt Kicker - L.H.
26	30109	Blade	44	71286	Belt Kicker - L.H.
27	71815	Blade	45	71287	Belt Kicker - L.H.
28	71816	Blade	46	71288	Belt Kicker - L.H.
29	73507	Corner Pin 1/8" x 1	47	71289	Belt Kicker - L.H.
			48	199	Belt Kicker - L.H.
			49	71290	Belt Kicker - L.H.
			50	71291	Belt Kicker - L.H.
			51	71292	Belt Kicker - L.H.
			52	71293	Belt Kicker - L.H.
			53	67745	Blade
			54	67746	Blade
			55	71555	Blade
			56	71556	Blade

*STANDARD HARDWARE—PURCHASE LOCALLY

REPAIR PARTS

36" RIDING LAWN TRACTOR—MODEL NUMBER L8218BR

STEERING AND WHEELS

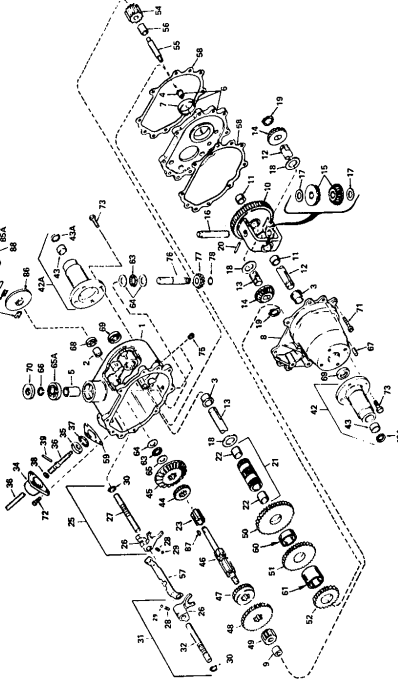
KEY NO.	PART NO.	DESCRIPTION	KEY NO.	PART NO.	DESCRIPTION
1	11141	Steering Wheel Inset	29	65139	Valve Stem
2	5001	Steering Wheel	30	50192	Valve Cap
3	5002	Steering Wheel	31	70415	Transmiter Assembly, Aoshif 143,658A
4	5003	Steering Wheel	32	70415 A	Transmiter Assembly, Aoshif 143,658A
5	5004	Steering Wheel	33	71267	Roller Bar Assembly
6	71267	Roller Bar Assembly	34	71170	Roller Bar Assembly
7	71268	Roller Bar Assembly	35	59194	Washer, 515 x 275 x .053
8	71269	Roller Bar Assembly	36	67159	Pin, Lock 3/8" x 1/8"
9	69395	Washer, 515 x 275 x .053	37	67160	Pin, Lock 3/8" x 1/8"
10	69396	Washer, 515 x 275 x .053	38	71188	Pin, Spacer
11	30709	*Nut, Hex Head 5/16" - 18 x 3/4	39	71189	Pin, Spacer
12	30709	*Nut, Hex Head 5/16" - 18 x 3/4	40	71190	Pin, Spacer
13	71120	Pin, Lock 3/8" x 1/8"	41	72337	Kingpin Assembly - R.H.
14	71120	Pin, Lock 3/8" x 1/8"	42	71191	Kingpin Assembly - R.H.
15	71120	Pin, Lock 3/8" x 1/8"	43	71192	Kingpin Assembly - R.H.
16	71208	Blowing Rod	44	30219	*Nut, Hex Head 3/8" - 16 x 3/4
17	52913	E-Ring 2 3/4 Shaft - 250 x .250	45	67862	*Nut, Lock 5/16" - 24
18	52913	E-Ring 2 3/4 Shaft - 250 x .250	46	67862	*Nut, Lock 5/16" - 24
19	72988	Spring	47	69543	*Nut, Lock 5/16" - 24
20	72988	Spring	48	69543	*Nut, Lock 5/16" - 24
21	71210	Drive Lock Pin	49	71851	Rim (Incl. Ref. No. 50)
22	71210	Drive Lock Pin	50	630	Rim (Incl. Ref. No. 50)
23	71210	Drive Lock Pin	51	630	Rim (Incl. Ref. No. 50)
24	62073	Spring Pin 1/4" x 1 1/4"	52	53822	Washer, 551 x 1.00 x .053
25	62073	Spring Pin 1/4" x 1 1/4"			
26	1919	Washer, 25/32" x 1 - 1/4 x 21 Ga.			
27	71653	Tire (116.00 - 9.50 x 8)			
28	71652	Tire (116.00 - 9.50 x 8)			

*STANDARD HARDWARE—PURCHASE LOCALLY

REPAIR PARTS

36" RIDING LAWN TRACTOR-MODEL NUMBER L821B8R
 TRANSAXLE NO. 794191A-MODEL NUMBER 143.658A

ALL TRANAXLE PARTS MUST BE PURCHASED THROUGH YOUR LOCAL TECHNICAL DEALER.



REPAIR PARTS

36" RIDING LAWN TRACTOR-MODEL NUMBER L821B8R
 TRANSAXLE NO. 794191A-MODEL NUMBER 143.658A

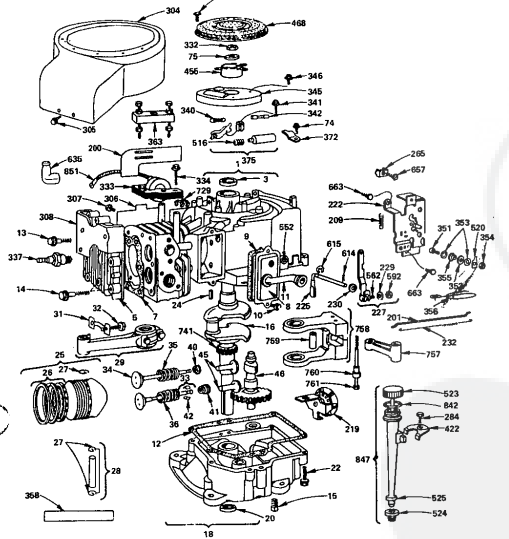
KEY NO.	PART NO.	DESCRIPTION	KEY NO.	PART NO.	DESCRIPTION
1	794191A	Complete Transaxle (Inc. Nos. 2, 3 & 5)	45	778232	Gov. Bevel (25 Teeth)
2	760888	Washer - Thrust	46	778233	Gov. Shaft (2 1/2" Dia.)
3	760889	Ball Bearing - Thrust	47	778234	Gov. Shaft (2 1/2" Dia.)
4	760890	Bushing - Thrust	48	778235	Gov. Shaft (2 1/2" Dia.)
5	760891	Bushing - Thrust	49	778236	Gov. Shaft (2 1/2" Dia.)
6	760892	Bushing - Thrust	50	778237	Gov. Shaft (2 1/2" Dia.)
7	760893	Bushing - Thrust	51	778238	Gov. Shaft (2 1/2" Dia.)
8	760894	Bushing - Thrust	52	778239	Gov. Shaft (2 1/2" Dia.)
9	760895	Bushing - Thrust	53	778240	Gov. Shaft (2 1/2" Dia.)
10	760896	Bushing - Thrust	54	778241	Gov. Shaft (2 1/2" Dia.)
11	760897	Bushing - Thrust	55	778242	Gov. Shaft (2 1/2" Dia.)
12	760898	Bushing - Thrust	56	778243	Gov. Shaft (2 1/2" Dia.)
13	760899	Bushing - Thrust	57	778244	Gov. Shaft (2 1/2" Dia.)
14	760900	Bushing - Thrust	58	778245	Gov. Shaft (2 1/2" Dia.)
15	760901	Bushing - Thrust	59	778246	Gov. Shaft (2 1/2" Dia.)
16	760902	Bushing - Thrust	60	778247	Gov. Shaft (2 1/2" Dia.)
17	760903	Bushing - Thrust	61	778248	Gov. Shaft (2 1/2" Dia.)
18	760904	Bushing - Thrust	62	778249	Gov. Shaft (2 1/2" Dia.)
19	760905	Bushing - Thrust	63	778250	Gov. Shaft (2 1/2" Dia.)
20	760906	Bushing - Thrust	64	778251	Gov. Shaft (2 1/2" Dia.)
21	760907	Bushing - Thrust	65	778252	Gov. Shaft (2 1/2" Dia.)
22	760908	Bushing - Thrust	66	778253	Gov. Shaft (2 1/2" Dia.)
23	760909	Bushing - Thrust	67	778254	Gov. Shaft (2 1/2" Dia.)
24	760910	Bushing - Thrust	68	778255	Gov. Shaft (2 1/2" Dia.)
25	760911	Bushing - Thrust	69	778256	Gov. Shaft (2 1/2" Dia.)
26	760912	Bushing - Thrust	70	778257	Gov. Shaft (2 1/2" Dia.)
27	760913	Bushing - Thrust	71	778258	Gov. Shaft (2 1/2" Dia.)
28	760914	Bushing - Thrust	72	778259	Gov. Shaft (2 1/2" Dia.)
29	760915	Bushing - Thrust	73	778260	Gov. Shaft (2 1/2" Dia.)
30	760916	Bushing - Thrust	74	778261	Gov. Shaft (2 1/2" Dia.)
31	760917	Bushing - Thrust	75	778262	Gov. Shaft (2 1/2" Dia.)
32	760918	Bushing - Thrust	76	778263	Gov. Shaft (2 1/2" Dia.)
33	760919	Bushing - Thrust	77	778264	Gov. Shaft (2 1/2" Dia.)
34	760920	Bushing - Thrust	78	778265	Gov. Shaft (2 1/2" Dia.)
35	760921	Bushing - Thrust	79	778266	Gov. Shaft (2 1/2" Dia.)
36	760922	Bushing - Thrust	80	778267	Gov. Shaft (2 1/2" Dia.)
37	760923	Bushing - Thrust	81	778268	Gov. Shaft (2 1/2" Dia.)
38	760924	Bushing - Thrust	82	778269	Gov. Shaft (2 1/2" Dia.)
39	760925	Bushing - Thrust	83	778270	Gov. Shaft (2 1/2" Dia.)
40	760926	Bushing - Thrust	84	778271	Gov. Shaft (2 1/2" Dia.)
41	760927	Bushing - Thrust	85	778272	Gov. Shaft (2 1/2" Dia.)
42	760928	Bushing - Thrust			

REPAIR PARTS

36" RIDING LAWN TRACTOR-MODEL NUMBER L821B8R
 BRIGGS & STRATTON 8 H.P. ENGINE-MODEL NO. 191707, TYPE NO. 5627-01

CYLINDER, CRANKSHAFT AND ENGINE BASE GROUP

ALL ENGINE PARTS MUST BE PURCHASED THROUGH AND SERVICE PERFORMED BY YOUR LOCAL BRIGGS & STRATTON DEALER.



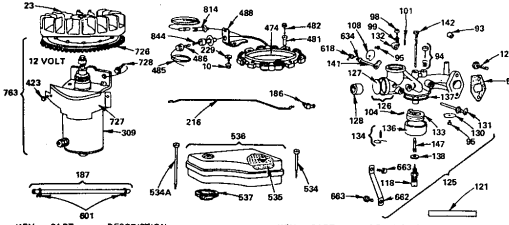
REPAIR PARTS

36" RIDING LAWN TRACTOR-MODEL NUMBER L821B8R
 BRIGGS & STRATTON 8 H.P. ENGINE-MODEL NO. 191707, TYPE NO. 5627-01

KEY NO.	PART NO.	DESCRIPTION	KEY NO.	PART NO.	DESCRIPTION
1	392005	Cylinder Assembly (Inc. Key No. 3)	227	391733	Lever Assy. - Governor (For 1/4" Dia. Crank)
2	391726	Bushing - Cylinder	228	220680	Washer - Flat
3	294606	Seal - Oil	229	224450	Washer - Gov. Lever Link (1/4" I.D.)
4	212286	Head - Cylinder	230	266584	Spring - Governor Link
5	210430	Gasket - Valve	231	221535	Clamp - Casing
6	391406	Breather Tube Assembly	232	63804	Screw - Clamp Mtg.
7	21900	Gasket - Valve Cover	233	391778	Housing - Blower
8	93394	Screw - Sem	234	391779	Screw - Blower Housing Mounting Sem
9	280005	Taber - Breather	235	222630	Shield - Cylinder
10	27750	*Gasket - Crankcase Cover - 1/64" Thick	236	221535	Screw - Cylinder Shield Mtg. Sem
11	27876	*Gasket - Crankcase Cover - .005" Thick	237	222636	Cover - Cylinder Head
12	27877	*Gasket - Crankcase Cover - .009" Thick	238	222636	Cover - Cylinder Head
13	93211	Screw - Cylinder Head (2 - 21/32" Long)	239	222636	Cover - Cylinder Head
14	93723	Screw - Cylinder Head (3" Long)	240	222636	Cover - Cylinder Head
15	91084	Plug - Oil Drain	241	93281	Nut - Flywheel
16	391757	Crankshaft	242	39381	Screw - Armature Mounting Sem
17	268516	Pump - Oil (Inc. Key No. L 12 & 20)	243	39381	Screw - Armature Mounting Sem
18	298423	Seal - Oil	244	22018	Plug - Sprock. (1 - 1/2" High - 38 M.M. Resistor)
19	298423	Seal - Oil	245	22018	Plug - Sprock. (1 - 1/2" High - 38 M.M. Resistor)
20	298423	Seal - Oil	246	22018	Plug - Sprock. (1 - 1/2" High - 38 M.M. Resistor)
21	298423	Seal - Oil	247	22018	Plug - Sprock. (1 - 1/2" High - 38 M.M. Resistor)
22	61760	Key - Flywheel	248	22018	Plug - Sprock. (1 - 1/2" High - 38 M.M. Resistor)
23	391673	Piston Assy. - Std.	249	22018	Plug - Sprock. (1 - 1/2" High - 38 M.M. Resistor)
24	391674	Piston Assy. - .010" O.S.	250	22018	Plug - Sprock. (1 - 1/2" High - 38 M.M. Resistor)
25	391675	Piston Assy. - .020" O.S.	251	22018	Plug - Sprock. (1 - 1/2" High - 38 M.M. Resistor)
26	391676	Piston Assy. - .030" O.S.	252	22018	Plug - Sprock. (1 - 1/2" High - 38 M.M. Resistor)
27	299743	Ring Set - Piston - Std. Chrome	253	22018	Plug - Sprock. (1 - 1/2" High - 38 M.M. Resistor)
28	391670	Ring Set - Piston - .010" O.S.	254	22018	Plug - Sprock. (1 - 1/2" High - 38 M.M. Resistor)
29	391671	Ring Set - Piston - .020" O.S.	255	22018	Plug - Sprock. (1 - 1/2" High - 38 M.M. Resistor)
30	391672	Ring Set - Piston - .030" O.S.	256	22018	Plug - Sprock. (1 - 1/2" High - 38 M.M. Resistor)
31	68546	Lock - Piston Pin	257	22018	Plug - Sprock. (1 - 1/2" High - 38 M.M. Resistor)
32	298840	Pin Assembly - Piston - Standard	258	22018	Plug - Sprock. (1 - 1/2" High - 38 M.M. Resistor)
33	298841	Pin Assembly - Piston - .005" O.S.	259	22018	Plug - Sprock. (1 - 1/2" High - 38 M.M. Resistor)
34	390402	Rod Assy. - Connecting	260	22018	Plug - Sprock. (1 - 1/2" High - 38 M.M. Resistor)
35	222114	Lock - Connecting Rod Screw	261	22018	Plug - Sprock. (1 - 1/2" High - 38 M.M. Resistor)
36	93259	Screw - Connecting Rod	262	22018	Plug - Sprock. (1 - 1/2" High - 38 M.M. Resistor)
37	390419	Valve - Exhaust	263	22018	Plug - Sprock. (1 - 1/2" High - 38 M.M. Resistor)
38	291055	Valve - Intake	264	22018	Plug - Sprock. (1 - 1/2" High - 38 M.M. Resistor)
39	65906	Spring - Intake Valve	265	22018	Plug - Sprock. (1 - 1/2" High - 38 M.M. Resistor)
40	29828	Spring - Exhaust Valve	266	22018	Plug - Sprock. (1 - 1/2" High - 38 M.M. Resistor)
41	221586	Retainer - Intake Valve	267	22018	Plug - Sprock. (1 - 1/2" High - 38 M.M. Resistor)
42	292260	Retainer - Exhaust Valve	268	22018	Plug - Sprock. (1 - 1/2" High - 38 M.M. Resistor)
43	93630	Retainer - Exhaust Valve Retacoil	269	22018	Plug - Sprock. (1 - 1/2" High - 38 M.M. Resistor)
44	299333	Tapset - Valve	270	22018	Plug - Sprock. (1 - 1/2" High - 38 M.M. Resistor)
45	211689	Gear - Cam	271	22018	Plug - Sprock. (1 - 1/2" High - 38 M.M. Resistor)
46	53342	Screw - Sems	272	22018	Plug - Sprock. (1 - 1/2" High - 38 M.M. Resistor)
47	220865	Washer - Spring	273	22018	Plug - Sprock. (1 - 1/2" High - 38 M.M. Resistor)
48	93008	Screw - Sem	274	22018	Plug - Sprock. (1 - 1/2" High - 38 M.M. Resistor)
49	221760	Guide - Air	275	22018	Plug - Sprock. (1 - 1/2" High - 38 M.M. Resistor)
50	260911	Link - Governor	276	22018	Plug - Sprock. (1 - 1/2" High - 38 M.M. Resistor)
51	261308	Spring - Governor	277	22018	Plug - Sprock. (1 - 1/2" High - 38 M.M. Resistor)
52	392718	Oil Slinger - Gov. Gear and Bracket Assembly	278	22018	Plug - Sprock. (1 - 1/2" High - 38 M.M. Resistor)
53	390662	Plate - Gov. Control	279	22018	Plug - Sprock. (1 - 1/2" High - 38 M.M. Resistor)
54	231028	Crank - Gov. (1/4" Dia.)	280	22018	Plug - Sprock. (1 - 1/2" High - 38 M.M. Resistor)

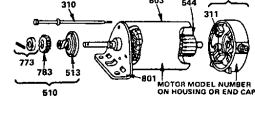
REPAIR PARTS

36" RIDING LAWN TRACTOR—MODEL NUMBER L8218BR
BRIGGS & STRATTON 8 H.P. ENGINE—MODEL NO. 191707, TYPE NO. 5627-01
AIR CLEANER, CARBURETOR AND FLYWHEEL GROUP



KEY NO.	PART NO.	DESCRIPTION	KEY NO.	PART NO.	DESCRIPTION
10	92304	Screw - Set	216	291117	Link Choke
23	381983	Flywheel and Ring Gear As'y. - Magneto	229	220680	Washer, Flat
52	210824	Gasket - Carburetor Mounting	309	392749	Motor and Drive As'y. (See Break-down of Parts Below)
83	24108	Bushing - Throttle Shaft	423	93410	Screw - Set
95	294081	Valve Assembly - Carburetor Idle	414	301522	Stator - Alternator
96	53499	Screw - Throttle and Choke Valve Mfg.	481	238970	Bushing - Stator
88	91920	Screw - Machine Fill, Hd. 8 - 32 x 5/8"	462	38621	Screw - Set
99	26157	Spring - Throttle Adjustment	485	381988	Knob As'y. - Fuse
101	83043	Pin - Throttle Stop	468	381907	Diode - Alternator
104	230896	Pin - Float Hinge	488	222211	Bracket - Output
108	227010	Valve Choke	534	38622	Screw - Air Cleaner
118	361233	Valve Needle	534A	32323	Screw - Air Cleaner
121	298852	Carburetor Overhaul Kit	536	270528	Element - Air Cleaner
125	930571	Screw - Carburetor Mtg.	538	381998	Cleaner Assembly - Air
126	298851	Carburetor Assembly	537	270539	Support - Air Cleaner Element (Plastic)
127	221957	Ring - Wash	601	44053	Gasket - Fuel Pipe
128	211682	Venturi - Carburetor	618	261116	Clamp - Fuel Pipe
130	221958	Valve - Throttle	629	220282	Spring - Choke Return
131	381512	Shaft and Lever - Throttle	662	220282	Washer - Choke Shaft
132	211711	Stop - Throttle	663	220277	Bracket - Carburetor
133	285707	Float - Carburetor	663	63572	Screw
134	259096	Stop - Fuel Inlet	728	391134	Gear - Ring
136	221996	Bowl - Float	727	390233	Cover and Shield - Starter
137	270511	Gasket - Float Bowl	728	62523	Screw - Set
141	220014	Washer - Float Bowl	763	391604	Electric Starter Kit - 12 Volt (Gear Drive)
142	390954	Shaft and Lever - Choke	814	390967	Wire - Assembly - 7 Amp. Alternator
143	285740	Washer - Carburetor	844	261289	Spring - Diode
147	235872	Nozzle - Carburetor			
148	67218	Connector - Fuel Pipe			
150	256004	Pipe - Fuel			

STARTER MOTOR GROUP

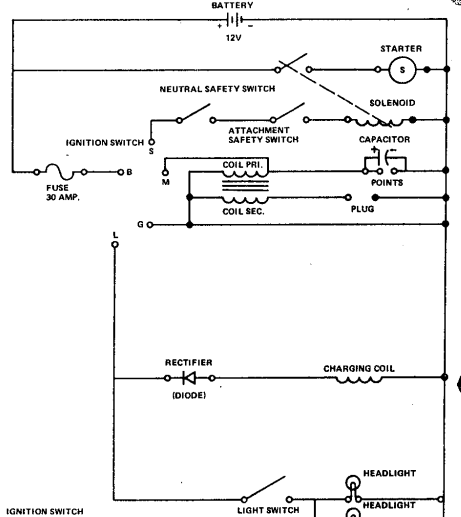


KEY NO.	PART NO.	DESCRIPTION
310	391706	Thru Bolt, As'y.
311	381705	Brush As'y.
510	391461	Drive As'y.
511	387747	Armature As'y.
801	381705	End Cap As'y., Drive
802	390846	End Cap As'y., Commutator
803	382744	Housing As'y.

*Includes Brush Set
*Includes No. 391135 Clutch As'y. (Key No. 513)
*Includes No. 280104 Gear (Key No. 783)
*Includes No. 391462 Retainer and Pin (Key No. 773)

REPAIR PARTS

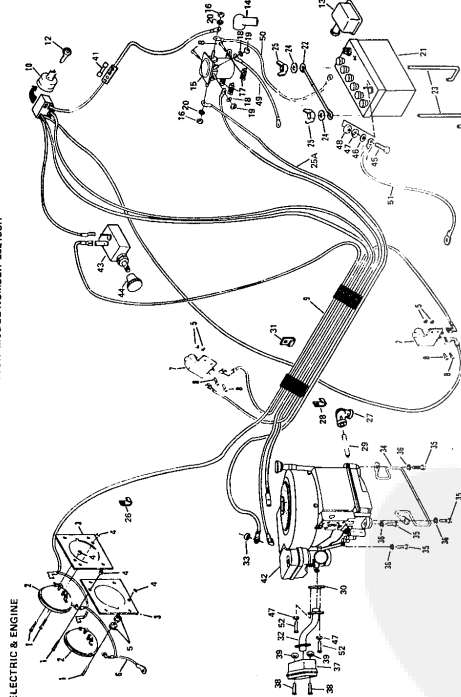
36" RIDING LAWN TRACTOR—MODEL NUMBER L8218BR
SCHEMATIC DIAGRAM



IGNITION SWITCH	
POSITION	CIRCUIT
OFF	M-G
ON	B-L
START	B-S

REPAIR PARTS

ELECTRIC & ENGINE



REPAIR PARTS

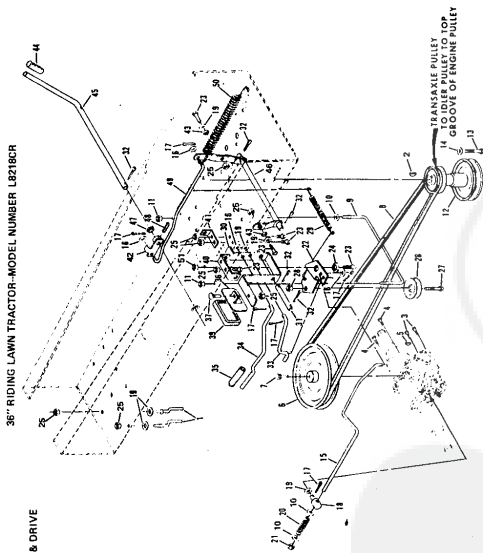
ELECTRIC & ENGINE

KEY NO.	PART NO.	DESCRIPTION
1	3228P	Screw, Machine Trust Head
2	645/R	No. 10 - 24 x 1
3	7302P	Headlight Support
4	561P	Washer, Flat
5	561P	Washer, Flat
6	561P	Washer, Flat
7	7125P	Safe Assembly
8	3359P	Screw, Machine Phillips Head
9	1795L	Wire Harness
10	7522A	Wire Harness
11	7522A	Wire Harness
12	7522A	Wire Harness
13	225J	Terminal Cover
14	7125P	Terminal Cover
15	7125P	Terminal Cover
16	7125P	Terminal Cover
17	578P	Terminal Cover
18	1009P	Terminal Cover
19	1009P	Terminal Cover
20	1009P	Terminal Cover
21	6718P	Terminal Cover
22	15055	Terminal Cover
23	577P	Terminal Cover
24	15055	Terminal Cover
25	577P	Terminal Cover
26	2321R	Terminal Cover

*STANDARD HARDWARE—PURCHASE LOCALLY
OPTIONAL EQUIPMENT
1A80.11 Spark Arrestor

REPAIR PARTS

CLUTCH-BRAKE & DRIVE



36" RIDING LAWN TRACTOR—MODEL NUMBER L8218CR

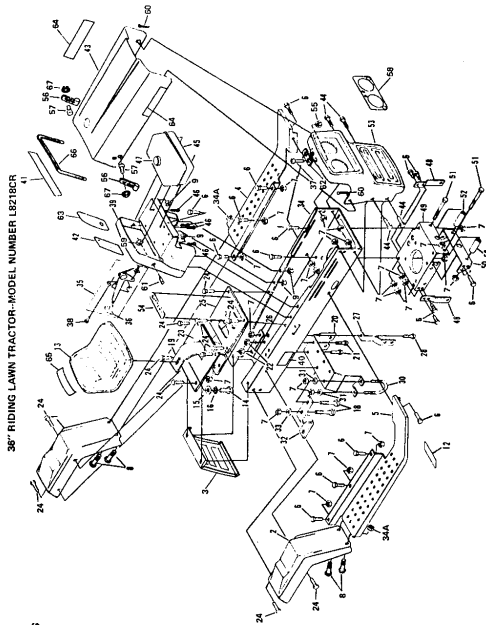
REPAIR PARTS

CLUTCH-BRAKE & DRIVE

REF. PART NO.	DESCRIPTION	REF. PART NO.	DESCRIPTION
1	71200 Bolt Guide	23	3010P Bolt, Hex Head 5/16 - 18 x 3.4
2	69053 Key, Woodruff No. 6	24	71202 Bushing 5/16 - 18 x 3.4
3	6929P Spring, Compression 1/2" Dia. x 1 1/2" H.	25	67400 Pulley, 1/2" Dia. x 1 1/2" H.
4	6095P 5/16 - 18 x 3.4 Washer	26	67400 Pulley, 1/2" Dia. x 1 1/2" H.
5	52859 Key, Woodruff No. E1	27	579P Nut, Lock 3/8 - 18 UNC
6	6958P 5/16 - 18 x 3.4 Washer	28	2044J Spring, Idler
7	6958P 5/16 - 18 x 3.4 Washer	29	71223 Fretal Shaft
8	7279A Mid-Belt Guide	30	71223 Clutch Fork
9	71241 Brake Rod	31	71223 Clutch Fork
10	545P 5/16 - 18 x 3.4 Washer	32	74419 Park Brake Rod
11	545P 5/16 - 18 x 3.4 Washer	33	3733 Park Brake Rod
12	6023P 5/16 - 18 x 3.4 Washer	34	71222 Foot Plate
13	71200 Locknut 3/8 - 18 UNC	35	71222 Foot Plate
14	1010P 3/8 - 24 x 1.375 Bolt	36	67285 Foot Plate
15	7379Z 3/8 - 24 x 1.375 Bolt	37	71199 Peeta Bracket
16	545P 5/16 - 18 x 3.4 Washer	38	71222 Peeta Bracket
17	2503P 5/16 - 18 x 3.4 Washer	39	71222 Peeta Bracket
18	1525B 5/16 - 18 x 3.4 Washer	40	71222 Peeta Bracket
19	1525B 5/16 - 18 x 3.4 Washer	41	71222 Peeta Bracket
20	71239 Transmission	42	71222 Peeta Bracket
21	71239 Transmission	43	71222 Peeta Bracket
22	71201 Lock Washer 3/8 - 18 UNC	44	71222 Peeta Bracket

REPAIR PARTS

CHASSIS



36" RIDING LAWN TRACTOR—MODEL NUMBER L8218CR

REPAIR PARTS

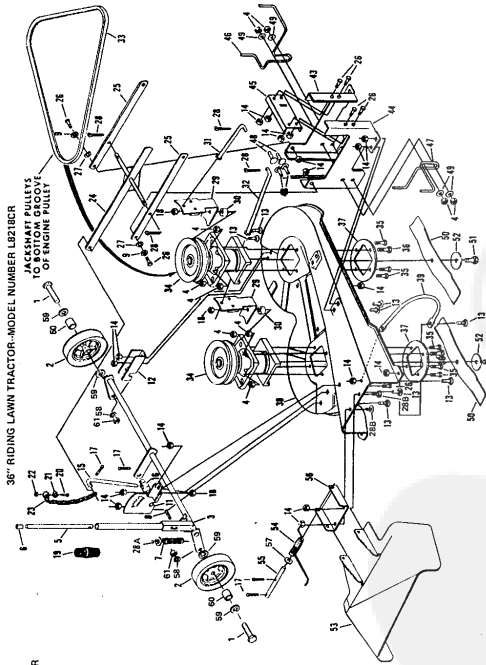
CHASSIS

REF. PART NO.	DESCRIPTION	REF. PART NO.	DESCRIPTION
1	3884 Fender, L.H.	35	1564J Remco Control Arm, R/C
2	3891 Fender, R.H.	36	6122P Nut, Hex Head 5/16 - 18 x 3.4
3	1135J Foot Rest, L.H.	37	6122P Nut, Hex Head 5/16 - 18 x 3.4
4	1135J Foot Rest, R.H.	38	6095P Screw, Hex Washer Hd. Thk. Cutting 1/4 - 20 x 1/2
5	1460J Foot Rest, R.H. 5/16 - 18 x 3/4	39	6095P Screw, Hex Washer Hd. Thk. Cutting 1/4 - 20 x 1/2
6	579P Nut, Lock 3/8 - 18 UNC	40	75078 Drift, 3/8"
7	579P Nut, Lock 3/8 - 18 UNC	41	1135J Drift, 3/8"
8	579P Nut, Lock 3/8 - 18 UNC	42	1135J Drift, 3/8"
9	579P Nut, Lock 3/8 - 18 UNC	43	67761Z Hood Assy, Washer Hd.
10	579P Nut, Lock 3/8 - 18 UNC	44	3886P 5/16 - 18 x 3.4
11	579P Nut, Lock 3/8 - 18 UNC	45	74415 Full Cap
12	1135J Drift, 3/8"	46	74415 Full Cap
13	1135J Drift, 3/8"	47	74415 Full Cap
14	1135J Drift, 3/8"	48	1885J Eye Bolt
15	1135J Drift, 3/8"	49	1885J Eye Bolt
16	1135J Drift, 3/8"	50	2717P Bolt, Hex Head 5/16 - 18 x 2.34
17	1135J Drift, 3/8"	51	2717P Bolt, Hex Head 5/16 - 18 x 2.34
18	1135J Drift, 3/8"	52	14423 Bushing
19	1135J Drift, 3/8"	53	14423 Bushing
20	1135J Drift, 3/8"	54	74397 Battery Cap
21	1135J Drift, 3/8"	55	74397 Battery Cap
22	1135J Drift, 3/8"	56	3889R Hood Lock
23	1135J Drift, 3/8"	57	3889R Hood Lock
24	1135J Drift, 3/8"	58	6924 Screw, Phillips P.H. Engine
25	1135J Drift, 3/8"	59	6924 Screw, Phillips P.H. Engine
26	1135J Drift, 3/8"	60	7205P Center Pin 272 x 3.4
27	1135J Drift, 3/8"	61	7205P Center Pin 272 x 3.4
28	1135J Drift, 3/8"	62	7205P Center Pin 272 x 3.4
29	1135J Drift, 3/8"	63	1135J Drift, L.H.
30	1135J Drift, 3/8"	64	1135J Drift, L.H.
31	1135J Drift, 3/8"	65	2454 Drift, Stry Back
32	1135J Drift, 3/8"	66	2454 Drift, Stry Back
33	1135J Drift, 3/8"	67	2454 Drift, Stry Back
34	585P Nut, Key Jam 5/16 - 18 UNC	68	585P Nut, Key Jam 5/16 - 18 UNC

*STANDARD HARDWARE—PURCHASE LOCALLY

REPAIR PARTS

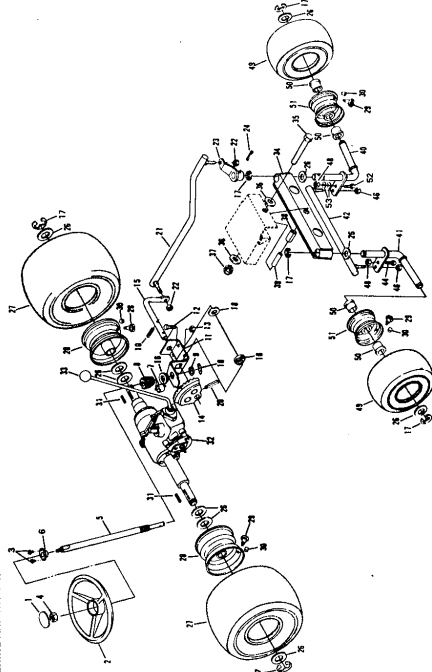
MOWER



36" RIDING LAWN TRACTOR—MODEL NUMBER L821BCR

REPAIR PARTS

STEERING AND WHEELS



36" RIDING LAWN TRACTOR—MODEL NUMBER L821BCR

REPAIR PARTS

MOWER

36" RIDING LAWN TRACTOR—MODEL NUMBER L821BCR

REF. NO.	PART NO.	DESCRIPTION
1	3199P	Hex Bolt 3/8" x 2 1/4" Gr. 5
2	67284A	Clutch Wheel Assembly
3	545P	Nut, Lock 3/8" - 16 UNC
4	9479R	Cap Lever Plunger
5	8569R	Spring
6	8569R	Spring
7	1599P	Washer, 1.022 x 3/4 x 16 Ga.
8	71300	Bolt, Carriage 5/16" - 18 x 3/4 Gr. 5
9	67237	Adjustment Rod
10	576P	Locknut Washer 3/8" - 16 UNC
11	2503P	"Cover Pin 3/32 x 3/4
12	17172	"Screw, Pan Hd. Machine 1/4" - 20 x 1
13	3224P	"Screw, Pan Hd. Machine 1/4" - 20 x 1
14	72914	Pin, Chain
15	7193P	Pin, Link
16	7193P	Pin, Link
17	71815	Pin, Link
18	1615P	Shaker
19	1615P	Shaker
20	1615P	Shaker
21	1615P	Shaker
22	1615P	Shaker
23	1615P	Shaker
24	1615P	Shaker
25	1615P	Shaker
26	1615P	Shaker
27	1615P	Shaker
28	1615P	Shaker
29	1615P	Shaker
30	1615P	Shaker
31	1615P	Shaker
32	1615P	Shaker
33	1615P	Shaker
34	1615P	Shaker
35	1615P	Shaker
36	1615P	Shaker
37	1615P	Shaker
38	1615P	Shaker
39	1615P	Shaker
40	1615P	Shaker
41	1615P	Shaker
42	1615P	Shaker
43	1615P	Shaker
44	1615P	Shaker
45	1615P	Shaker
46	1615P	Shaker
47	1615P	Shaker
48	1615P	Shaker
49	1615P	Shaker
50	1615P	Shaker
51	1615P	Shaker
52	1615P	Shaker
53	1615P	Shaker
54	1615P	Shaker
55	1615P	Shaker
56	1615P	Shaker
57	1615P	Shaker
58	1615P	Shaker
59	1615P	Shaker
60	1615P	Shaker
61	1615P	Shaker
62	1615P	Shaker
63	1615P	Shaker
64	1615P	Shaker
65	1615P	Shaker
66	1615P	Shaker
67	1615P	Shaker
68	1615P	Shaker
69	1615P	Shaker
70	1615P	Shaker
71	1615P	Shaker
72	1615P	Shaker
73	1615P	Shaker
74	1615P	Shaker
75	1615P	Shaker
76	1615P	Shaker
77	1615P	Shaker
78	1615P	Shaker
79	1615P	Shaker
80	1615P	Shaker
81	1615P	Shaker
82	1615P	Shaker
83	1615P	Shaker
84	1615P	Shaker
85	1615P	Shaker
86	1615P	Shaker
87	1615P	Shaker
88	1615P	Shaker
89	1615P	Shaker
90	1615P	Shaker
91	1615P	Shaker
92	1615P	Shaker
93	1615P	Shaker
94	1615P	Shaker
95	1615P	Shaker
96	1615P	Shaker
97	1615P	Shaker
98	1615P	Shaker
99	1615P	Shaker
100	1615P	Shaker

*STANDARD HARDWARE-PURCHASE LOCALLY

REPAIR PARTS

STEERING AND WHEELS

36" RIDING LAWN TRACTOR—MODEL NUMBER L821BCR

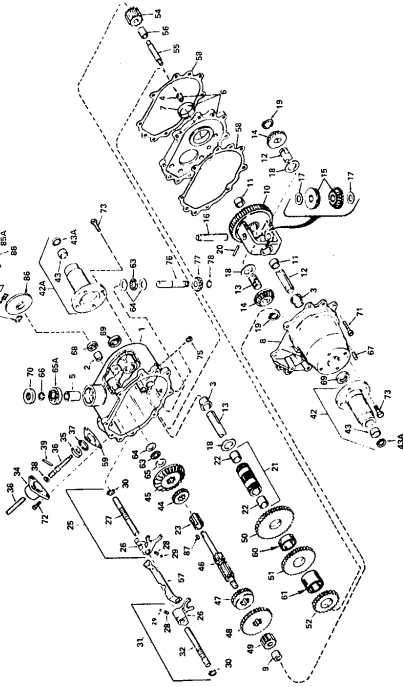
REF. NO.	PART NO.	DESCRIPTION
1	1114J	Steering Wheel Inset
2	561P	Steering Wheel
3	561P	Steering Wheel
4	561P	Steering Wheel
5	1599J	Nut, Lock 1/2" - 20 UNF
6	1599J	Nut, Lock 1/2" - 20 UNF
7	1599J	Nut, Lock 1/2" - 20 UNF
8	1599J	Nut, Lock 1/2" - 20 UNF
9	1599J	Nut, Lock 1/2" - 20 UNF
10	1599J	Nut, Lock 1/2" - 20 UNF
11	1599J	Nut, Lock 1/2" - 20 UNF
12	1599J	Nut, Lock 1/2" - 20 UNF
13	1599J	Nut, Lock 1/2" - 20 UNF
14	1599J	Nut, Lock 1/2" - 20 UNF
15	1599J	Nut, Lock 1/2" - 20 UNF
16	1599J	Nut, Lock 1/2" - 20 UNF
17	1599J	Nut, Lock 1/2" - 20 UNF
18	1599J	Nut, Lock 1/2" - 20 UNF
19	1599J	Nut, Lock 1/2" - 20 UNF
20	1599J	Nut, Lock 1/2" - 20 UNF
21	1599J	Nut, Lock 1/2" - 20 UNF
22	1599J	Nut, Lock 1/2" - 20 UNF
23	1599J	Nut, Lock 1/2" - 20 UNF
24	1599J	Nut, Lock 1/2" - 20 UNF
25	1599J	Nut, Lock 1/2" - 20 UNF
26	1599J	Nut, Lock 1/2" - 20 UNF
27	1599J	Nut, Lock 1/2" - 20 UNF
28	1599J	Nut, Lock 1/2" - 20 UNF
29	1599J	Nut, Lock 1/2" - 20 UNF
30	1599J	Nut, Lock 1/2" - 20 UNF
31	1599J	Nut, Lock 1/2" - 20 UNF
32	1599J	Nut, Lock 1/2" - 20 UNF
33	1599J	Nut, Lock 1/2" - 20 UNF
34	1599J	Nut, Lock 1/2" - 20 UNF
35	1599J	Nut, Lock 1/2" - 20 UNF
36	1599J	Nut, Lock 1/2" - 20 UNF
37	1599J	Nut, Lock 1/2" - 20 UNF
38	1599J	Nut, Lock 1/2" - 20 UNF
39	1599J	Nut, Lock 1/2" - 20 UNF
40	1599J	Nut, Lock 1/2" - 20 UNF
41	1599J	Nut, Lock 1/2" - 20 UNF
42	1599J	Nut, Lock 1/2" - 20 UNF
43	1599J	Nut, Lock 1/2" - 20 UNF
44	1599J	Nut, Lock 1/2" - 20 UNF
45	1599J	Nut, Lock 1/2" - 20 UNF
46	1599J	Nut, Lock 1/2" - 20 UNF
47	1599J	Nut, Lock 1/2" - 20 UNF
48	1599J	Nut, Lock 1/2" - 20 UNF
49	1599J	Nut, Lock 1/2" - 20 UNF
50	1599J	Nut, Lock 1/2" - 20 UNF
51	1599J	Nut, Lock 1/2" - 20 UNF
52	1599J	Nut, Lock 1/2" - 20 UNF
53	1599J	Nut, Lock 1/2" - 20 UNF
54	1599J	Nut, Lock 1/2" - 20 UNF
55	1599J	Nut, Lock 1/2" - 20 UNF
56	1599J	Nut, Lock 1/2" - 20 UNF
57	1599J	Nut, Lock 1/2" - 20 UNF
58	1599J	Nut, Lock 1/2" - 20 UNF
59	1599J	Nut, Lock 1/2" - 20 UNF
60	1599J	Nut, Lock 1/2" - 20 UNF
61	1599J	Nut, Lock 1/2" - 20 UNF
62	1599J	Nut, Lock 1/2" - 20 UNF
63	1599J	Nut, Lock 1/2" - 20 UNF
64	1599J	Nut, Lock 1/2" - 20 UNF
65	1599J	Nut, Lock 1/2" - 20 UNF
66	1599J	Nut, Lock 1/2" - 20 UNF
67	1599J	Nut, Lock 1/2" - 20 UNF
68	1599J	Nut, Lock 1/2" - 20 UNF
69	1599J	Nut, Lock 1/2" - 20 UNF
70	1599J	Nut, Lock 1/2" - 20 UNF
71	1599J	Nut, Lock 1/2" - 20 UNF
72	1599J	Nut, Lock 1/2" - 20 UNF
73	1599J	Nut, Lock 1/2" - 20 UNF
74	1599J	Nut, Lock 1/2" - 20 UNF
75	1599J	Nut, Lock 1/2" - 20 UNF
76	1599J	Nut, Lock 1/2" - 20 UNF
77	1599J	Nut, Lock 1/2" - 20 UNF
78	1599J	Nut, Lock 1/2" - 20 UNF
79	1599J	Nut, Lock 1/2" - 20 UNF
80	1599J	Nut, Lock 1/2" - 20 UNF
81	1599J	Nut, Lock 1/2" - 20 UNF
82	1599J	Nut, Lock 1/2" - 20 UNF
83	1599J	Nut, Lock 1/2" - 20 UNF
84	1599J	Nut, Lock 1/2" - 20 UNF
85	1599J	Nut, Lock 1/2" - 20 UNF
86	1599J	Nut, Lock 1/2" - 20 UNF
87	1599J	Nut, Lock 1/2" - 20 UNF
88	1599J	Nut, Lock 1/2" - 20 UNF
89	1599J	Nut, Lock 1/2" - 20 UNF
90	1599J	Nut, Lock 1/2" - 20 UNF
91	1599J	Nut, Lock 1/2" - 20 UNF
92	1599J	Nut, Lock 1/2" - 20 UNF
93	1599J	Nut, Lock 1/2" - 20 UNF
94	1599J	Nut, Lock 1/2" - 20 UNF
95	1599J	Nut, Lock 1/2" - 20 UNF
96	1599J	Nut, Lock 1/2" - 20 UNF
97	1599J	Nut, Lock 1/2" - 20 UNF
98	1599J	Nut, Lock 1/2" - 20 UNF
99	1599J	Nut, Lock 1/2" - 20 UNF
100	1599J	Nut, Lock 1/2" - 20 UNF

*STANDARD HARDWARE-PURCHASE LOCALLY

REPAIR PARTS

36" RIDING LAWN TRACTOR—MODEL NUMBER L821BCR
TRANSAKLE NO. 794191A—MODEL NUMBER 143.658A

ALL TRANSAKLE PARTS MUST
BE PURCHASED THROUGH OUR
LOCAL TECHNICAL DEALER.



REPAIR PARTS

36" RIDING LAWN TRACTOR—MODEL NUMBER L821BCR
TRANSAKLE NO. 794191A—MODEL NUMBER 143.658A

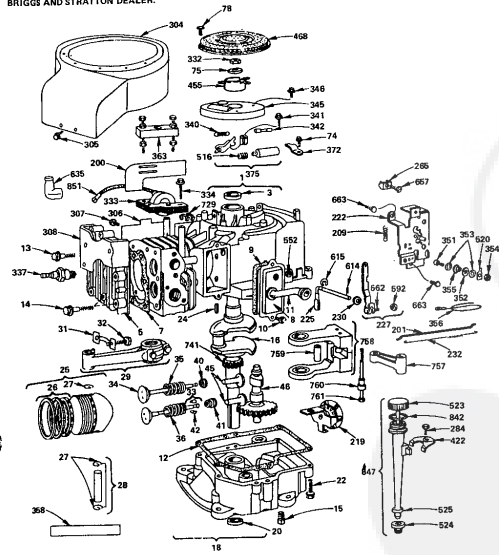
KEY NO.	PART NO.	DESCRIPTION	KEY NO.	PART NO.	DESCRIPTION
1	770201A	Complete Transaxle (inc. No's 2, 3 & 8)	46	780538	Screw, Sheet 03 Term.
2	780095	Bearing Needle	47	772173	Gear, Shifting (Std. & 2 1/2)
3	780096	Bearing Needle	48	780522	Washer, Thrust
4	780097	Bearing Needle	49	780523	Washer, Thrust
5	780098	Bearing Needle	50	780524	Washer, Thrust
6	780099	Bearing Needle	51	780525	Washer, Thrust
7	780100	Pin, D, Bevel	52	780526	Washer, Thrust
8	780101	Pin, D, Bevel	53	780527	Washer, Thrust
9	780102	Pin, D, Bevel	54	780528	Washer, Thrust
10	780103	Pin, D, Bevel	55	780529	Washer, Thrust
11	780104	Pin, D, Bevel	56	780530	Washer, Thrust
12	780105	Pin, D, Bevel	57	780531	Washer, Thrust
13	780106	Pin, D, Bevel	58	780532	Washer, Thrust
14	780107	Pin, D, Bevel	59	780533	Washer, Thrust
15	780108	Pin, D, Bevel	60	780534	Washer, Thrust
16	780109	Pin, D, Bevel	61	780535	Washer, Thrust
17	780110	Pin, D, Bevel	62	780536	Washer, Thrust
18	780111	Pin, D, Bevel	63	780537	Washer, Thrust
19	780112	Pin, D, Bevel	64	780538	Washer, Thrust
20	780113	Pin, D, Bevel	65	780539	Washer, Thrust
21	780114	Pin, D, Bevel	66	780540	Washer, Thrust
22	780115	Pin, D, Bevel	67	780541	Washer, Thrust
23	780116	Pin, D, Bevel	68	780542	Washer, Thrust
24	780117	Pin, D, Bevel	69	780543	Washer, Thrust
25	780118	Pin, D, Bevel	70	780544	Washer, Thrust
26	780119	Pin, D, Bevel	71	780545	Washer, Thrust
27	780120	Pin, D, Bevel	72	780546	Washer, Thrust
28	780121	Pin, D, Bevel	73	780547	Washer, Thrust
29	780122	Pin, D, Bevel	74	780548	Washer, Thrust
30	780123	Pin, D, Bevel	75	780549	Washer, Thrust
31	780124	Pin, D, Bevel	76	780550	Washer, Thrust
32	780125	Pin, D, Bevel	77	780551	Washer, Thrust
33	780126	Pin, D, Bevel	78	780552	Washer, Thrust
34	780127	Pin, D, Bevel	79	780553	Washer, Thrust
35	780128	Pin, D, Bevel	80	780554	Washer, Thrust
36	780129	Pin, D, Bevel	81	780555	Washer, Thrust
37	780130	Pin, D, Bevel	82	780556	Washer, Thrust
38	780131	Pin, D, Bevel	83	780557	Washer, Thrust
39	780132	Pin, D, Bevel	84	780558	Washer, Thrust
40	780133	Pin, D, Bevel	85	780559	Washer, Thrust
41	780134	Pin, D, Bevel	86	780560	Washer, Thrust
42	780135	Pin, D, Bevel	87	780561	Washer, Thrust
43	780136	Pin, D, Bevel	88	780562	Washer, Thrust
44	780137	Pin, D, Bevel	89	780563	Washer, Thrust
45	780138	Pin, D, Bevel	90	780564	Washer, Thrust
46	780139	Pin, D, Bevel	91	780565	Washer, Thrust
47	780140	Pin, D, Bevel	92	780566	Washer, Thrust
48	780141	Pin, D, Bevel	93	780567	Washer, Thrust
49	780142	Pin, D, Bevel	94	780568	Washer, Thrust
50	780143	Pin, D, Bevel	95	780569	Washer, Thrust
51	780144	Pin, D, Bevel	96	780570	Washer, Thrust
52	780145	Pin, D, Bevel	97	780571	Washer, Thrust
53	780146	Pin, D, Bevel	98	780572	Washer, Thrust
54	780147	Pin, D, Bevel	99	780573	Washer, Thrust
55	780148	Pin, D, Bevel	100	780574	Washer, Thrust

REPAIR PARTS

36" RIDING LAWN TRACTOR—MODEL NUMBER L821BCR
BRIGGS & STRATTON 8 H.P. ENGINE—MODEL NO. 191707, TYPE NO. 5627-01

CYLINDER, CRANKSHAFT AND ENGINE BASE GROUP

ALL ENGINE PARTS MUST BE PUR-
CHASED THROUGH AND SERVICE
PERFORMED BY YOUR LOCAL
BRIGGS & STRATTON DEALER.



REPAIR PARTS

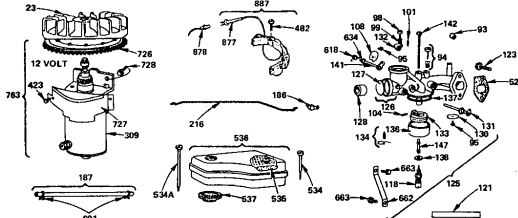
36" RIDING LAWN TRACTOR—MODEL NUMBER L821BCR
BRIGGS & STRATTON 8 H.P. ENGINE—MODEL NO. 191707, TYPE NO. 5627-01

KEY NO.	PART NO.	DESCRIPTION	KEY NO.	PART NO.	DESCRIPTION	
1	392005	Cylinder Assembly (Inc. Key No. 3)	227	391733	Lever Assy. - Governor (For 14"	
2	392006	Bushing - Cylinder	228	222450	Washer - Gov. Lever (1 1/4" I.D.)	
3	294609	Seal - Oil	229	260684	Spring - Governor Link	
4	212286	Gasket - Cylinder	230	221539	Clamp - Casing	
5	212287	Breather Tube Assembly	231	93804	Screw - Clamp Mtg.	
6	212288	Gasket - Valve Cover	232	391379	Housing - Blower	
7	93539	Screw - Sem	233	31568	Screw - Blower Housing Mounting Sem	
8	282005	Tube - Breather	234	222830	Shield - Cylinder	
9	27750	"Gasket - Crankcase Cover - 1/84"	235	307	Screw - Cylinder Shield Mtg. Sem	
10	27876	Thick	236	222830	Cover - Cylinder Head	
11	27877	"Gasket - Crankcase Cover - .005"	237	92294	Nut, Flywheel	
12	27878	Thick	238	298989	Armature Assembly	
13	93211	"Gasket - Crankcase Cover - .009"	239	93381	Screw, Armature Mounting Sem	
14	93212	Thick	240	293918	Plug, Spark (1 1/2" High - 38 M.M. Resistor)	
15	93213	Screw - Cylinder Head (2 - 21/32" Long)	241	NOTE: Ignition Cable Terminal No. 221798		
16	91768	Plug, Oil Drain	242	26018	Spring - Breaker Arm	
17	391757	Crankshaft	243	93381	Screw - Breaker Arm Mounting Sem	
18	298316	Sump - Oil (Inc. Key No's 12 & 20)	244	65704	Plunger - Breaker Point	
19	298423	Seal - Oil	245	222117	Cover - Breaker Point	
20	93585	Screw - Sump	246	83705	Screw - Sem	
21	61750	Key - Flywheel	247	348	Washer - Terminal	
22	391873	Piston Assy. - Std.	248	68068	Washer - Lock Shakespool	
23	391874	Piston Assy. - .010" O.S.	249	92791	Nut - Hex 8 - 32	
24	391875	Piston Assy. - .020" O.S.	250	90576	Collar - Insulating	
25	391876	Piston Assy. - .030" O.S.	251	96554	Wire - Ground	
26	298743	Ring Set - Piston - Std. Chrome	252	299577	Gasket Set	
27	391870	Ring Set - Piston - .010" O.S.	253	19105	Filler - Flywheel	
28	391871	Ring Set - Piston - .020" O.S.	254	220477	Clamp - Condenser	
29	391872	Ring Set - Piston - .030" O.S.	255	294628	Breaker Points and Condenser Set	
30	68546	Lock - Piston Pin	256	NOTE: 299081 Ignition Kit Includes 294628 Point Set, 85704 Plunger, 61760 Key - Flywheel		
31	295840	Pin Assembly - Piston - Standard	257	222526	Cham. Oil Filter Tube	
32	295841	Pin Assembly - Piston - .005" O.S.	258	222561	Cup - Screen Mounting	
33	390402	Rod Assy. - Connecting	259	658	Screw - Flush Rotating	
34	NOTE: For Connecting Rod with .020" Undersize Crankpin Bore - Order No. 390773		260	516	260374	Spring - Connector
35	222114	Lock - Connecting Rod Screw	261	88838	Seal - Filler Tube	
36	92959	Screw - Connecting Rod	262	93772	Tube - Oil Filter	
37	390419	Valve - Exhaust	263	391840	Cap and Dipstick - Oil Filter	
38	291065	Valve - Intake	264	68838	Seal - Filler Tube	
39	65906	Spring - Intake Valve	265	231055	Bushing - Gov. Crank (1 1/4" I.D.)	
40	291066	Spring - Exhaust Valve	266	92613	Ball - Governor Lever	
41	292200	Retainer - Intake Valve	267	692	Nut, Hex 10 - 24	
42	292201	Retainer - Exhaust Valve	268	614	33308	Cutter - Hair Pin
43	262933	Tappet - Valve	269	615	93507	Retainer - E Ring
44	211689	Gear - Cam	270	605	66538	Elbow - Spark Plug
45	93044	Screw - Sems	271	657	93496	Screw - Sem
46	220805	Washer - Spring	272	663	93572	Screw
47	93055	Screw - Sem	273	739	221807	Clip - Wire
48	221760	Guide - Air	274	741	261195	Gear - Timing
49	262071	Link - Governor	275	757	212759	Link - Counterweight
50	261306	Serv - Governor	276	391172	Counterweight Assy.	
51	392178	Oil Slinger - Gov. Gear and Bracket Assembly	277	758	298909	Pin - Counterweight
52	390662	Plate - Gov. Control	278	290940	Sprocket - Counterweight	
53	231058	Crank - Gov. (1 1/4" Dia.)	279	781	93874	Screw - Counterweight
			280	842	270520	Seal - Filter Can
			281	647	392066	Filler Group - Oil
			282	851	221798	Terminal - Ignition Cable

*INCLUDED IN GASKET SET - PART NO. 299577

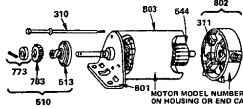
REPAIR PARTS

36" RIDING LAWN TRACTOR-MODEL NUMBER L8218CR
BRIGGS & STRATTON 8 H.P. ENGINE-MODEL NO. 191707, TYPE NO. 5627-01
AIR CLEANER, CARBURETOR AND FLYWHEEL GROUP



KEY NO.	PART NO.	DESCRIPTION	KEY NO.	PART NO.	DESCRIPTION
23	391983	Flywheel and Ring Gear Assy. - Magneto	218	281117	Link Choke
52	219924	Gasket - Carburetor Mounting	309	392749	Motor and Drive Assy. (See Break-down of Parts Below)
53	23108	Bushing - Throttle Shaft	423	93410	Screw - Sem
64	291691	Valve Assembly - Carburetor Idle			
66	63499	Screw - Throttle and Choke Valve Mtg. Sem	482	93621	Screw - Sem
68	81920	Screw - Machine Fill. Hd. 8-32 x 5/8"			
69	26157	Spring - Throttle Adjustment			
101	83043	Pin - Throttle Stop			
104	230696	*Pin - Float Hinge	534	93622	Screw - Air Cleaner
118	391233	*Valve Needle	534A	93323	Screw - Air Cleaner
121	298852	Carburetor Overhaul Kit	536	279528	Element - Air Cleaner
123	83357	Screw - Carburetor Mtg.	536	391399	Cleaner Assembly - Air
126	390811	Carburetor Assembly	601	53063	Support - Air Cleaner Element (Plastic)
126	298851	Body Assembly - Carburetor	637	270839	Gasket - Air Cleaner
127	221997	*Plug - Wadlet	637	33063	Clamp - Fuel Pipe
128	211862	Venturi - Carburetor	618	281118	Spring - Choke Return
130	221988	Valve - Throttle	634	210362	Washer - Choke Shaft
131	391512	Shaft and Lever - Throttle	662	222927	Bracket - Carburetor
132	211712	Stop - Throttle	663	93617	Screw
133	298707	Float - Carburetor	663	39134	Gear - Ring
134	298696	Float - Fuel Inlet	727	390233	Cover and Shield - Starter
136	221995	Bowl - Float	728	39023	Screw - Sem
137	218611	Gasket - Float Bowl	877	393814	Diode & Conn. Assembly
138	222014	Washer - Float Bowl	878	393422	Alt. Harness Assembly
141	390664	Shaft and Lever - Choke	887	391529	Stator-Alternator
142	290740	Nozzle - Carburetor			
147	232922	*Screw - Nozzle			
186	87216	Connector - Fuel Pipe			
187	299004	Pipe - Fuel			

STARTER MOTOR GROUP

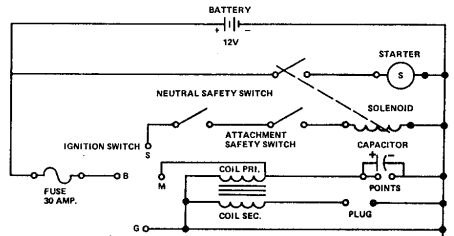


KEY NO.	PART NO.	DESCRIPTION
310	391709	Thru Bolt Assy.
311	391708	Brush Assy.
510	391481	*Drive Assy.
544	392747	Armature Assy.
801	391751	End Cap Assy. Drive
802	390846	End Cap Assy. Commutator
803	392744	Housing Assy.

* Includes Brush Set
* Includes No. 39135 Clutch Assy. (Key No. 513)
* Includes No. 890194 Gear (Key No. 783)
* Includes No. 391462 Retainer and Pin (Key No. 773)

REPAIR PARTS

36" RIDING LAWN TRACTOR-MODEL NUMBER L8218CR
SCHEMATIC DIAGRAM



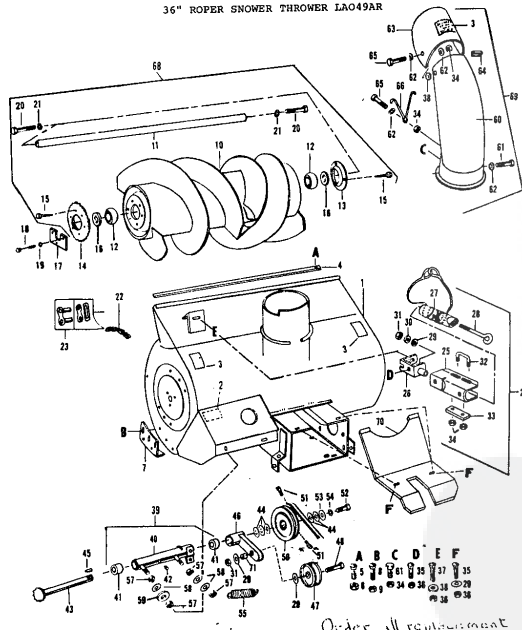
IGNITION SWITCH	
POSITION	CIRCUIT
OFF	M-G
ON	B-L
START	B-S

WIRING INSULATED CLIPS

If Insulated Clips were removed for servicing of unit, they should be replaced to properly secure your wiring. There are three Insulated Clips on your Tractor.

1. L.H. side of Tractor for safety switch wires (Key No. 28, page 14).
2. R.H. side of Tractor securing wire harness and cable wire (Key No. 31, page 14).
3. Headlight wire (Key No. 26, page 14).

36" ROOPER SNOW THROWER LAO49AR



E519 (10.1.78)

Order all replacement parts for this model snow thrower from HABAN MFG CO. 100 W. W. PARKWAY RACINE, WIS. 53407

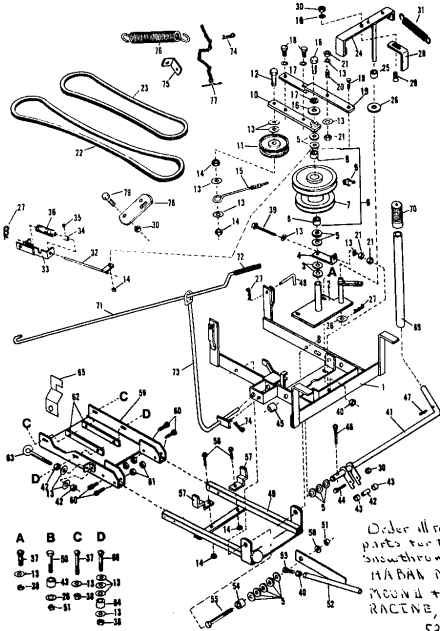
36" ROOPER SNOW THROWER LAO49AR

Ref. No.	Part No.	Description	No. Req.	Ref. No.	Part No.	Description	No. Req.
1	11372	Assy-Header & Decal	1	38	4506	* Washer-13/32 x 1-1/2 x 16 ga.	3
2	9713	Decal	1	39	11378	Assy-Jackshaft hsg. & Bushings	1
3	9663	Decal-Warning	3	40	11379	Assy-Jackshaft hsg.	1
4	3013	Blade-Scraper	1	41	3034	Bushing	2
5	7090	* Bolt-1/4-20 x 5/8 carriage	7	42	5074	* Fitting-Grease	1
6	GM271178	* Nut & Lock washer 1/4-20 hex.	2	43	3143	Assy-Jackshaft & sprocket	1
7	3045	Shoe-Skid	7	44	3396	* Washer-49/64 x 1-1/2 x .058 flat	1
8	STD533107	* Bolt-5/16-18 x 3/4	6	45	STD580103	* Key-3/16 sq. x 1	1
9	GM271184	* Nut & Lock washer 5/16-18 hex	6	46	11381	Assy-Idler Arm	1
10	9044	Assy-Auger	1	47	11496	Assy-Idler Pulley	1
11	8350	Shaft-Auger	1	48	STD 723725	* Bolt - 3/8-16 x 2-1/2 hex hd	1
12	9052	Bearing-Auger Shaft	2	50	1384	Assy-Pulley & Hub	1
13	5473	Flange-Bearing	1	51	GM-142671	* Screw-Set 5/16-18 x 1/2 sq hd cap pt	2
14	8287	Sprocket-Auger (35 tooth)	1	52	STD523707	* Bolt-3/8-16 x 3/4 hex hd	1
15	9131	* Screw-5/16-18 x 3/4 Self-tapping	9	53	G4446363	* Washer-3/8 x 7/8 x .063 flat	1
16	4143	* Washer-1-1/32 x 1-1/2 x 1/8 flat	2	54	STD551137	* Washer-3/8 med lock Spring	1
17	8185	Plate-Auger mounting	1	55	3059	Washer	1
18	STD523106	* Bolt-5/16-18 x 5/8 hex hd	3	57	STD541050	* Nut-1/2-13 hex	4
19	STD551131	Washer-5/16 med lock	2	58	GM120389	* Washer-1/2 x 1-1/4 x .063 flat	3
20	STD525012	* Bolt-1/2-13 x 1-1/4 hex hd	2	59	6979	Washer	1
21	STD551150	Washer-1/2 med lock	2	60	4957	Assy-Deflector & Elbow	2
22	3911	Chain-Auger Drive (70 links)	1	61	STD522510	* Bolt-1/4-20x1/2 hex hd	2
23	8456	Repair Kit for Chain Bracket	1	62	3903	Washer-Cable	6
24	9283	Assy-Stack Drive	1	63	9766	Assy-Deflect & Deflector	1
25	9030	Shroud-Stack Drive	1	64	6558	Molding-deflector	1
26	9032	Assy-Brkt. & Tube	1	65	STD522507	* Bolt-1/4-20 x 3/4 hex hd	3
27	8346	Assy-Cable, Tube & Sleeves	1	66	3076	Hook-Lift Spring	1
28	3955	Eye Bolt-Drive Tube	1	68	9043	Assy-Auger (16) Comp.	1
29	GM120388	* Washer-7/16 x 1 x .063 flat	5	69	6457	Elbow	1
30	4772	Spring-Washer	1	70	11420	Guard-Drive Pulley	1
31	STD541437	Nut-3/8-16 hex lock	2	71	5711	Spacer	1
32	8236	U-Bolt-Level Wind	1				
33	8399	Strap-Friction	1				
34	STD541425	* Nut-1/4-20 hex lock	6				
35	STD533707	* Bolt-3/8-16 x 3/4 carriage	3				
36	GM271190	* Nut & Lock Washer 3/8-16 hex	4				
37	STD533710	* Bolt-3/8-16 x 1 carriage	1				

E520 (10.1.78)

*standard hardware - purchased locally

36" ROPEL SNOW THROWER LA049AR



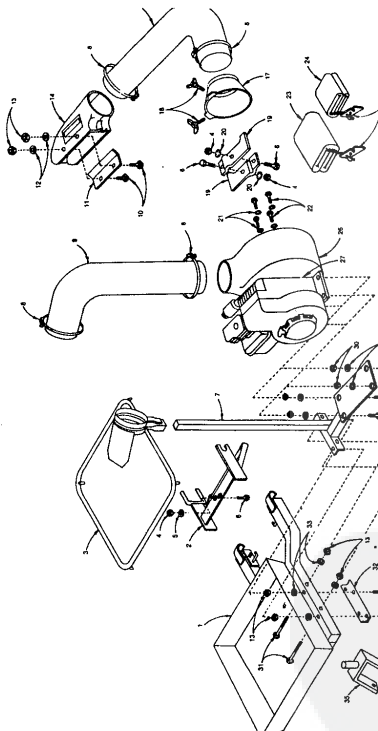
E521 (10.1.78)

36" ROPEL SNOW THROWER LA049AR

Ref. No.	Part No.	Description	No. Req.	Ref. No.	Part No.	Description	No. Req.
1	11449	Assy - Mounting Frame (Upper)	1	41	7925	Assy - Lift Bar	1
2	11401	Assy - Pulley Mtg. Brkt.	1	42	3027	Spacer	1
3	STD551075	*Washer - 13/16 x 1-1/2 x .134 flat	1	43	1346	Spacer	1
4	11403	Bracket - 49/64 x 1-1/2	12	44	STD523120	Bolt - 5/16-18 x 2 hex	1
5	3396	*Washer - 49/64 x 1-1/2	12	45	6179	Spacer	1
6	9775	Assy - Pulley Hsg (comp)	1	46	GM120123	Pin - Cotter (1/8 x 1 1/2)	1
7	9776	Assy - Pulley Hsg.	1	47	STD571810	Pin - Roll (3/16 x 1)	1
8	8689	Bearing - Needle	2	48	5736	Pin - Locating	2
9	5074	*Fitting - Groase	1	49	9778	Assy - Mounting Frame	1
10	11404	Assy - Clutch Arm	1	50	STD525015	Bolt - 1/2-13 x 1-1/2 hex hd	2
11	11496	Idler pulley	1	51	STD541450	Nut - 1/2-13 hex lock	1
12	STD723725	*Bolt - 3/8-16 x 2-1/2 hex hd	1	52	9796	Assy - Lift brkt.	1
13	GM120388	*Washer - 7/16 x 1" x .083 flat	24	53	6441	Bolt - 3/8-16 x 2 hex hd full thd	1
14	STD541437	*Nut - 3/8-16 hex lock	5	54	11285	Spacer	1
15	11486	Wash - Bolt Gage	1	55	STD525020	Bolt - 1/2-13 x 2 hex	1
16	GM446363	*Washer - 3/8 x 7/8 x .083 flat	2	56	GM120389	*Washer - 1/2 x 1-1/4 x .083 flat	1
17	STD551137	*Washer - 3/8 med lock	3	57	11461	Stop - Position	2
18	STD523707	*Bolt - 3/8-16 x 3/4 hex hd	4	58	STD523710	Bolt - 3/8-16 x 1 hex	2
19	11407	Bracket - Clutch Lever	1	59	11417	Assy - Pivot Brkt. channel	1
20	11410	Stud - Brake Release	1	60	STD523117	Bolt - 5/16-18 x 1-3/4 hex hd	4
21	STD541237	*Nut - 3/8-16 hex jam	4	61	STD541431	*Nut - 5/16-18 hex lock	4
22	11361	V-belt	1	62	11418	Strap - Header Channel	2
23	11367	V-belt	1	63	3058	Eye Bolt	2
24	11442	Assy - Belt Brake	1	64	5713	Spacer	2
25	6017	Spacer	3	65	11419	Bracket	1
26	STD551050	*Washer - 17/32 x 1-1/16 x .095	3	66	GM126422	Bolt - 3/8-16 x 2-1/4 carriage	2
27	STD624005	*Pin - Hair	4	69	6078	Handle - Lift	1
28	11414	Popper - V-belt	1	70	3339	Grip - Handle	1
29	STD533110	*Bolt - 5/16-18 x 1" carriage	1	71	4355	Roll - Crank	1
30	GM271184	*Nut & L/washer 5/16 -18 hex	6	72	10840	Handle - Grip	1
31	3059	Spring	1	73	11430	Assy - Crank Support	1
32	11458	Assy - Clutch Rod	1	74	STD624010	Pin - Hair Cotter	2
33	11019	Assy - Clutch Brkt.	1	75	7630	Bracket	1
34	10817	Collar	1	76	4798	Spring - Lift	1
35	4122	*Set Screw - 5/16-18 x 5/16 socket	4	77	5737	Assy - Chain & Toggle	1
36	3077	Spring	1	78	9222	Strap - Rear Mtg.	2
37	STD533710	*Bolt - 3/8-16 x 1 carr	1	79	STD523108	Bolt - 5/16-18 x 5/8 hex hd	4
38	GM271190	*Nut & L/washer 3/8 -16 hex	6	NP	11558	Manual - Instruction and Repair	1
39	6475	*Bolt - 3/8-16 x 3-1/2 full thd hex hd	1				
40	STD541037	*Nut - 3/8-16 Lt hex	6				

E522 (10.1.78)

*Standard Hardware - Purchased Locally



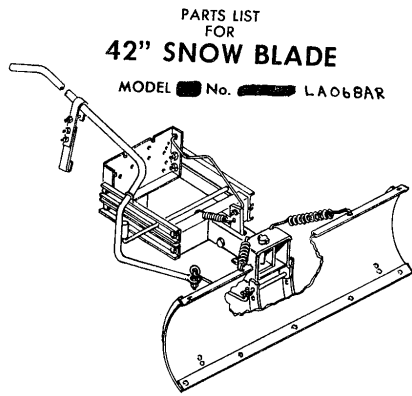
Repair Parts, PEC-301

REPAIR PARTS

LA05 Model Number PEC-301

KEY NO.	PART NUMBER	DESCRIPTION	REQ'D.
1	C-1-A	Tray and Support Assembly	1
2	C-4-N	Hitch Assembly	1
3	C-2-A	Bag Support Ring	1
4	STD-541050	Hex Nut, 1/2-13	3
5	STD	Lockwasher, 1/2 SAE	1
6	STD-525015	Hex Bolt, 1/2-13 x 1-1/2	3
7	C-3-A	Engine Support and Upright	1
8	C-10-A	Hose Clamp, 6" Dia.	4
9	C-18-A	Flex Hose, 6" Dia. x 40" Long	1
10	STD-533710	Carriage Bolt, 3/8-16 x 1	2
11	C-25-A	Boot Clamp Plate	1
12	STD-51037	Flat Washer, 3/8 SAE	2
13	STD-541237	Hex Nut, 3/8-16	6
14	B-361	Boot, 36" Hower Deck	1
16	C-27-A	Flex Hose, 6" Dia. x 36" Long	1
17	C-9-A	Blower Cone, 6" Dia.	1
18	W516182N	Wing Bolt, 5/16-18 x 2	2
19	W516182N	Wing Bolt, 5/16-18 x 2	2
19	C-11-A	Blower Blades (Set)	1
20	STD-551250	Internal Tooth Lockwasher, 1/2	2
21	STD-641231	Internal Tooth Lockwasher, 5/16	4
22	STD-623107	Hex Bolt, 5/16-24 x 7/8	4
23	C-16-A	Canvas Bag	1
24	C-17-A	Canvas Bag Cover	1
25	C-29-A	Full Cord Fastener	2
26	C-8-A	Blower Housing	1
27	143.654192	Tecumseh H35 45462L Model No. 143.654192	1
28	STD-523115	Hex Bolt, 5/16-18 x 1-1/2	4
29	STD-551131	Lockwasher, 5/16 SAE	4
30	STD-541131	Hex Nut, 5/16-18	4
31	STD-523725	Hex Bolt, 3/8-16 x 2-1/2	4
32	C-24-A	Reinforcing Angle	1
33	STD-551137	Lockwasher, 3/8 SAE	4
34	C-27-A	Wheel, 8-1/4" Dia. x 2-3/4 Wide	1
35	C-28-A	Caster Assembly	1
	PEC-301	Owner's Manual	1

Order All Replacement Parts For Model LA05 PE-CO 2807 Sweeten Creek Road, Ashville, N.C. 28803



42" SNOW BLADE KIT PARTS LIST

Order Parts From
Peeco Inc.
1902 South Main
South Bend, Ind
46613

Part No.	Description	Qty.	Part No.	Part No.	Description	Qty.	Part No.
1	Blade Assembly	1	110001	19	Latch, Lower	1	110071
2	Drawbar Assembly	1	110004	20	Screw, Hex. Hd. Cap (5/16 - 18 x 1)	2	20059
3	Frame Assembly	1	110002	21	Screw, Hex. Hd. Cap (5/16 - 18 x 1 1/2)	1	20060
4	Parallel Bar Assembly - Upper	1	110005	22	Screw, Hex. Hd. Cap (3/8 - 18 x 3)	8	20061
5	Parallel Bar Assembly - Lower	1	110006	23	Screw, Hex. Hd. Cap (3/8 - 10 x 2 1/2)	1	20043
6	Frame Mount Assembly	1	110007	24	Bolt, Chelega (1/2 - 20 x 3 1/4)	5	110010
7	Handle Assembly	1	120051	25	Bolt, Chelega (1/2 - 18 x 3 1/4)	4	110044
8	Blade Grip	1	120051	26	Bolt, Flat (1/2 - 18 x 1)	1	110044
9	Link, Index	1	20082	27	Washer, Med. Splitlock (1/4)	5	20012
10	Link, Pivot	1	20085	28	Washer, Med. Splitlock (3/8)	5	20014
11	Bar, Index	1	110008	29	Washer, Med. Splitlock (3/8)	5	20058
12	Latch, Upper	1	110007	30	Washer, Plain (5/16 SAE)	5	20018
13	Spring, Blade	2	80001	31	Nut, Hex (1/2 - 20)	8	20010
14	Spring, Tension	1	80001	32	Nut, Hex (5/16 - 18)	5	20020
15	Pin, Quarter	2	20022	33	Hex. Nut (5/16 - 18)	8	20008
16	Rod, Control	1	20009	34	Pin, Coner (1/8 x 1)	5	20010
17	Shower, Parallel Bar	8	12006	35	Nut, Hex (5/16 - 18)	5	20009
18	Extension, Handle	1	20004	36	Handle Bar Grip	1	80001

MINIMUM PARTS ORDER \$5.00. ALL STANDARD HARDWARE ITEMS MAY BE PURCHASED LOCALLY.