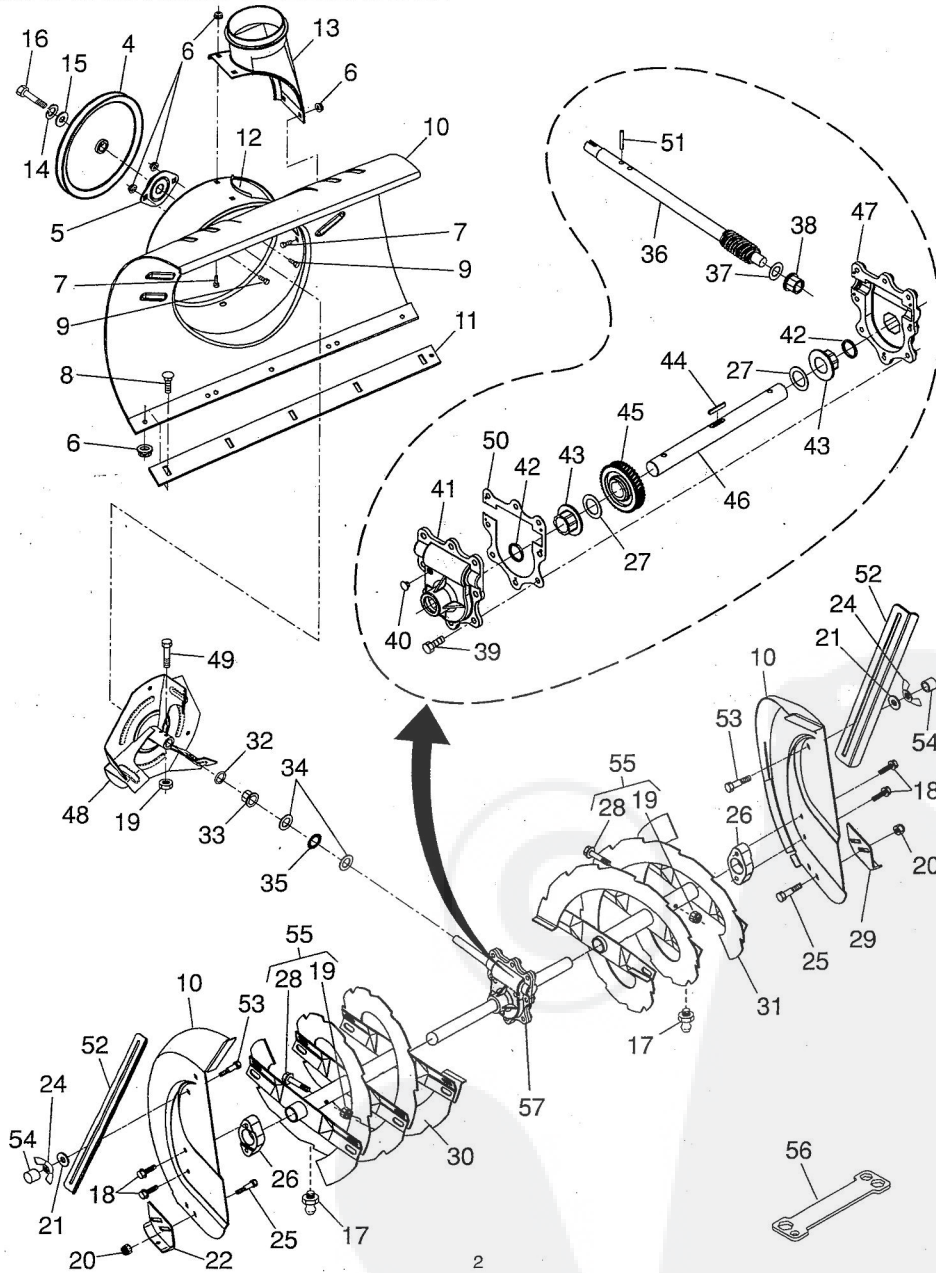


**REPAIR PARTS MANUAL**  
**MODEL NUMBER 889930**  
**Snow Thrower**



**REPAIR PARTS CRAFTSMAN SNOW THROWER - MODEL NO. 889930**  
**AUGER HOUSING / IMPELLER ASSEMBLY**

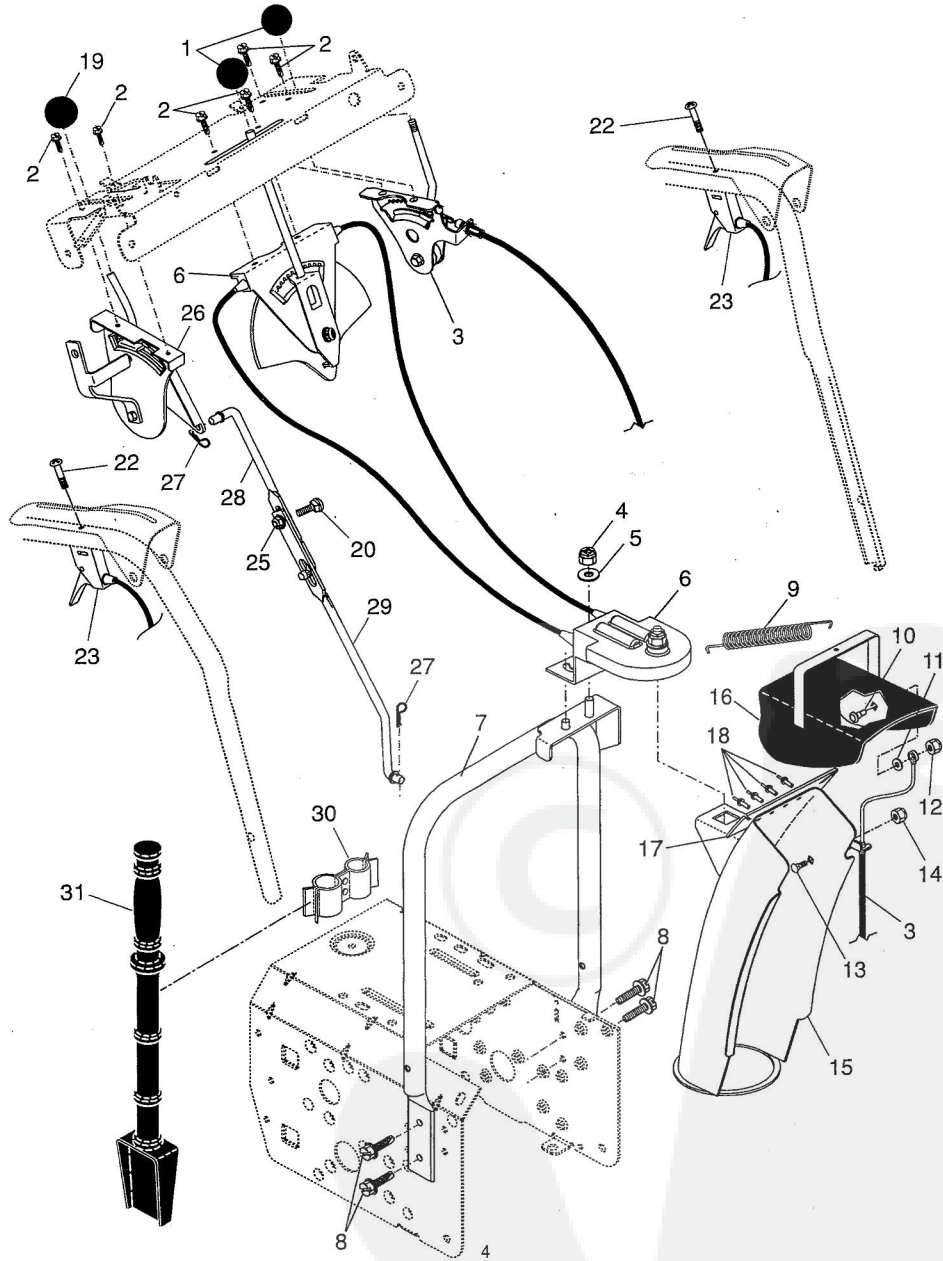


**REPAIR PARTS CRAFTSMAN SNOW THROWER - MODEL NO. 889930**  
**AUGER HOUSING / IMPELLER ASSEMBLY**

KEY PART NO.	PART NO.	DESCRIPTION	KEY PART NO.	PART NO.	DESCRIPTION
4	191079	Pulley, Impeller	31	405972X479	Auger Assembly, LH
5	188909	Bearing Assembly, Flange	32	174699	O-Ring
6	198541	Nut, Hex Flange 5/16-18	33	174700	Bushing, Flange 3/4
7	180355	Bolt, Flat Head, Carriage 5/16-18 x 5/8	34	174681	Washer, Thrust 3/4
8	72250505	Bolt, Carriage 5/16-18	35	174684	Bearing, Thrust 3/4
9	199879	Bolt, Hex Head	36	174660	Shaft, Impeller
10	404927X615	Housing, Auger	37	174683	Washer, Thrust 5/8
11	404933X428	Bar, Scraper	38	174686	Bushing, Flange 5/8
12	178675X008	Bracket, Corner Discharge	39	150078	Screw, Hex Head 5/16-18 x 3/4
13	175322	Base, Discharge Chute	40	86447	Plug, Case
14	10040500	Washer, Lock 5/16	41	174688	Housing, Gearbox, RH
15	19111507	Washer, Flat	42	174698	Seal, Oil
16	74950512	Screw, Hex Head 5/16-18 x 3/4	43	174701	Bushing, Flange, 1"
17	405637	Fitting, Grease	44	189282	Key, Square 1/4 x 1/4 x 7/8
18	179582	Screw, Hex Head 5/16 x 1	45	174659	Gear, Worm
19	73800400	Nut, Hex Lock 1/4-20	46	174657	Shaft, Auger
20	198541	Nut, Hex Flange 5/16-18	47	174689	Housing, Gearbox, LH
21	401347	Washer, Plastic, Flat 5/16	48	175321X428	Impeller Assembly
22	178777X479	Skid Plate, RH	49	74780426	Screw, Hex Head 1/4-20 x 1-5/8
24	128638	Nut, Wing	50	175311	Gasket, Gearbox
25	72270506	Bolt, Shoulder 1/4-20	51	7836M	Pin, Roll 3/16 x 1-1/8
26	174658	Bearing, Auger	52	405697X479	Bar, Drift Cutter
27	174697	Washer, Thrust, 1"	53	198648	Bolt, Carriage
28	192090	Bolt, Shear	54	198709	Stop
29	174762X479	Skid Plate, LH	55	409780	Kit, Shear (Contains 2 each of Key Numbers 19 and 28)
30	405973X479	Auger Assembly, RH	56	180684	Multi-Wrench
			57	178878	Gearbox Assembly

**NOTE:** All component dimensions given in U.S. inches. 1 inch = 25.4 mm  
**IMPORTANT:** Use only Original Equipment Manufacturer (O.E.M.) replacement parts.  
Failure to do so could be hazardous, damage your snow thrower and void your warranty.

**REPAIR PARTS CRAFTSMAN SNOW THROWER - MODEL NO. 889930**  
**CONTROL PANEL / DISCHARGE CHUTE**



**REPAIR PARTS      CRAFTSMAN SNOW THROWER - MODEL NO. 889930**  
**CONTROL PANEL / DISCHARGE CHUTE**

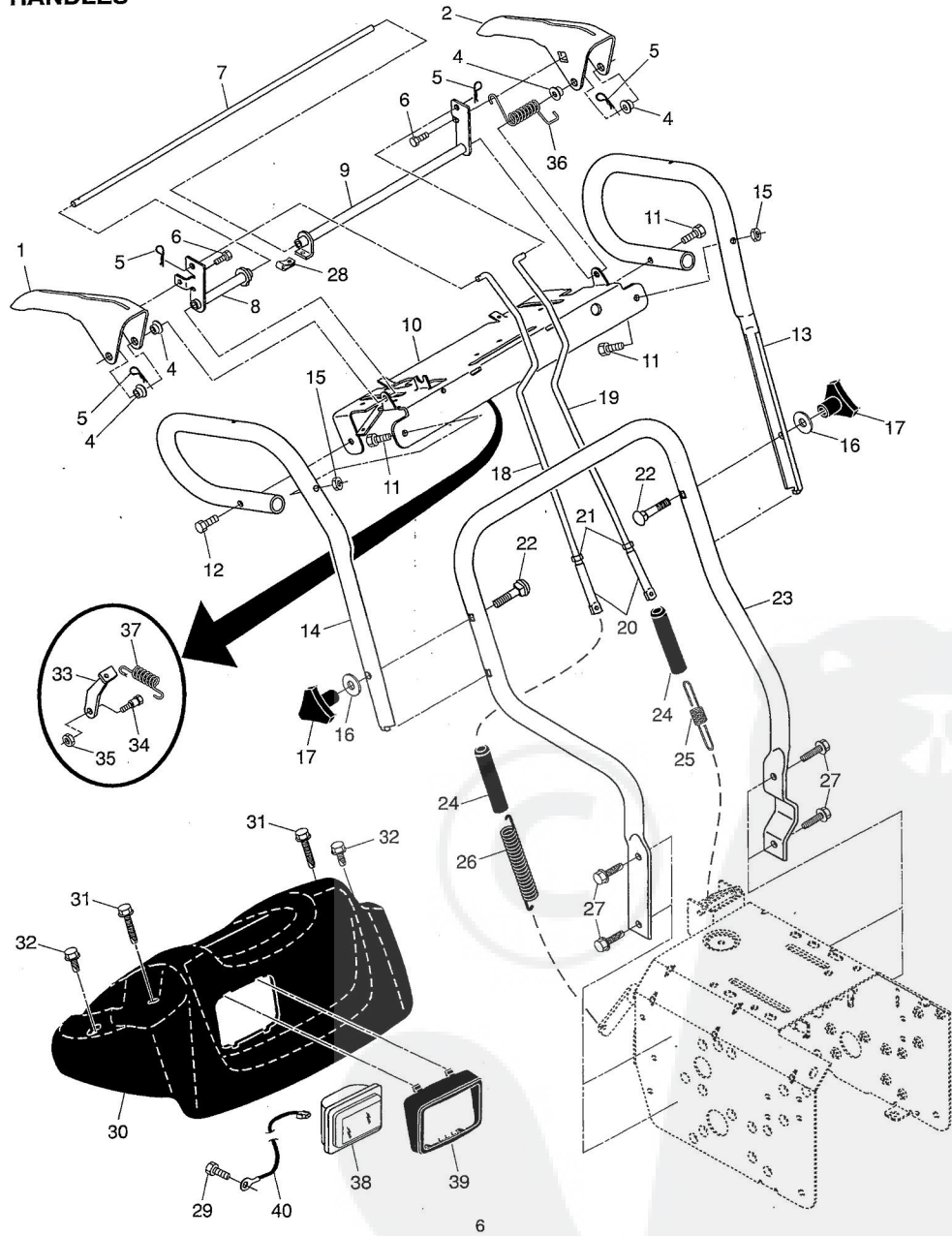
KEY NO.	PART NO.	DESCRIPTION
1	183334	Knob, Lever
2	17501010	Screw #10-24 x 5/8
3	178674	Control Assembly, Deflector
4	73800600	Nut, Lock 3/8-16
5	19131316	Washer, Flat 3/8
6	178659	Control Assembly, Chute Rotater
7	405784X479	Support, Pivot
8	150078	Screw, Hex Head 5/16-18 x 3/4
9	184505	Spring, Deflector
10	179829	Bolt, Shoulder
11	179246	Washer, Friction, Nylon
12	191730	Nut, Lock 1/4-20
13	72250505	Bolt, Carriage 5/16-18
14	751153	Nut, Lock 5/16-18
15	404770X615	Chute Assembly
16	178633X615	Deflector Assembly
17	179145	Seal, Deflector
18	128415	Rivet, Blind
19	183333	Knob, Speed Control Lever
20	72270506	Bolt, Carriage 5/16-18 x 3/4
22	74041024	Screw #10-24 x 1-1/2
23	188303	Control Assembly, Power Steering
25	198541	Nut, Lock 5/16-18
26	198875	Lever Assembly, Speed Control
27	169675	Retainer, Hairpin
28	180445	Rod, Upper, Speed Control
29	187716	Rod, Lower, Speed Control
30	192710	Clamp, Clean-Out Tool
31	192199	Tool, Clean-Out

**NOTE:** All component dimensions given in U.S. inches. 1 inch = 25.4 mm  
**IMPORTANT:** Use only Original Equipment Manufacturer (O.E.M.) replacement parts.  
Failure to do so could be hazardous, damage your snow thrower and void your warranty.



**REPAIR PARTS  
HANDLES**

**CRAFTSMAN SNOW THROWER - MODEL NO. 889930**



**REPAIR PARTS  
HANDLES**

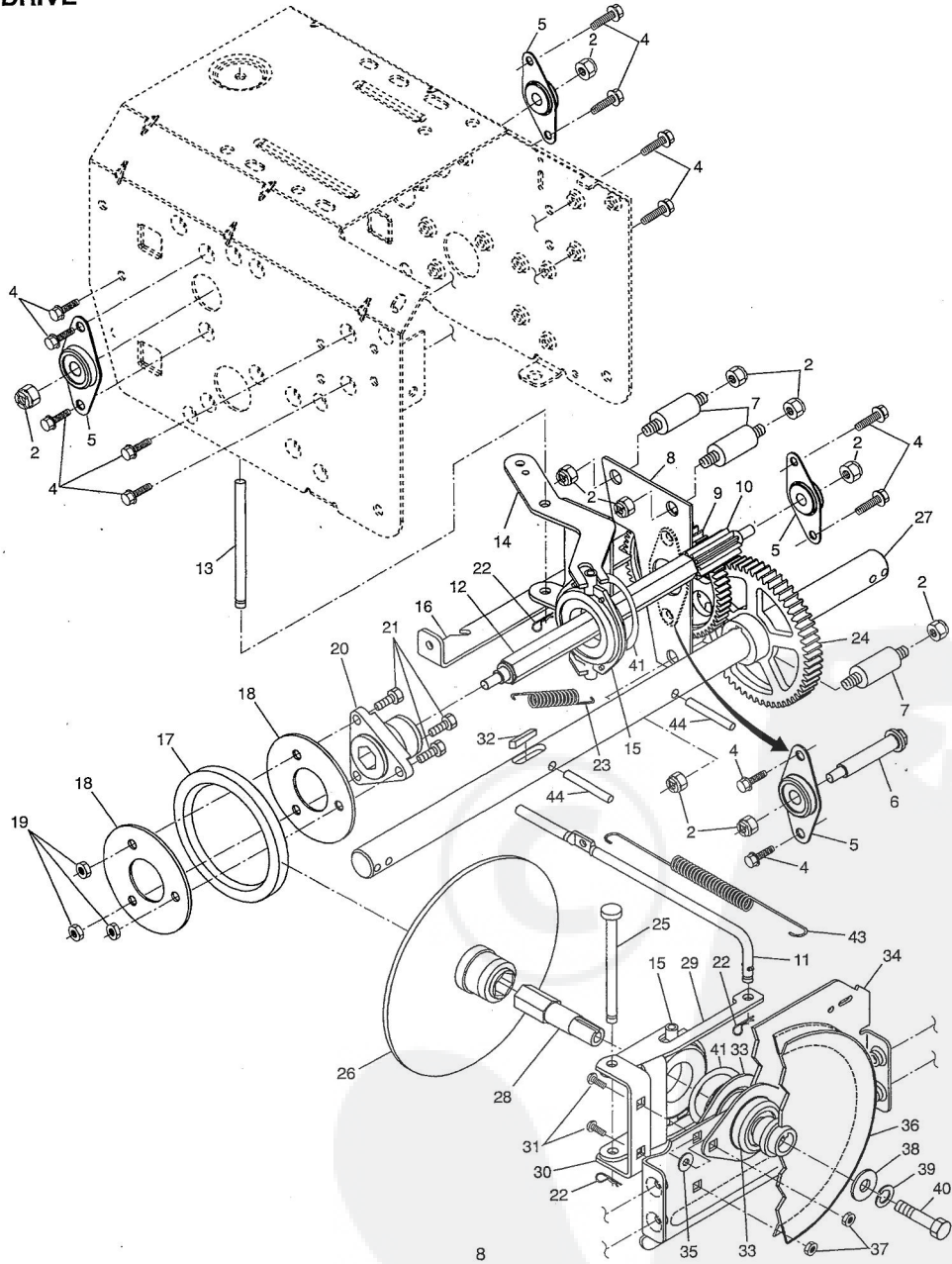
**CRAFTSMAN SNOW THROWER - MODEL NO. 889930**

KEY NO.	PART NO.	DESCRIPTION
1	405999X479	Lever, Traction Drive Control, RH
2	405783X479	Lever, Auger Control, LH
4	178888	Bushing, Flange
5	169675	Retainer, Hairpin
6	17060408	Screw, Hex Head 1/4-20 x 3/4
7	178652	Rod, Interlock
8	184003	Tube Assembly, Interlock, RH
9	178651	Tube Assembly, Interlock, LH
10	178645X479	Panel, Control
11	74780524	Screw, Hex Head 5/16-18 x 1-1/2
12	74780528	Screw, Hex Head 5/16-18 x 1-3/4
13	407856X479	Handle Tube, LH
14	407857X479	Handle Tube, RH
15	751153	Nut, Lock 5/16-18
16	19131316	Washer, Flat 3/8
17	178899	Knob, Handle
18	184594	Rod, Auger Control
19	193081	Rod, Traction Control
20	180428	End, Control Rod
21	73350500	Nut, Hex, Jam 5/16-18
22	72120618	Bolt, Carriage 3/8-16 x 2-1/4
23	178643X479	Handle Tube, Lower
24	180447	Sleeve, Spring
25	180926	Spring, Traction Drive
26	178669	Spring, Auger Control
27	17000616	Screw, Hex Head 3/8-16 x 1
28	180494	Clip, Panel
29	193072	Screw, Headlight Ground Wire to Blower Housing
30	182906	Console, Panel
31	175262	Screw, Hex Head, Tapping #10-24 x 1-1/4
32	184471	Screw, Hex Head, Tapping #10-24 x 1/2
33	175339X008	Latch, Interlock
34	401369	Bolt, Shoulder
35	68038	Nut, Lock 1/4-20
36	178831	Spring, Torsion, Lever
37	178658	Spring, Interlock
38	178666	Headlight, Halogen (Includes Bulb)
--	401620	Bulb, Halogen
39	178668	Bezel, Headlight
40	180964	Harness, Headlight (Halogen)

**NOTE:** All component dimensions given in U.S. inches. 1 inch = 25.4 mm  
**IMPORTANT:** Use only Original Equipment Manufacturer (O.E.M.) replacement parts.  
 Failure to do so could be hazardous, damage your snow thrower and void your warranty.

**REPAIR PARTS**  
**DRIVE**

**CRAFTSMAN SNOW THROWER - MODEL NO. 889930**





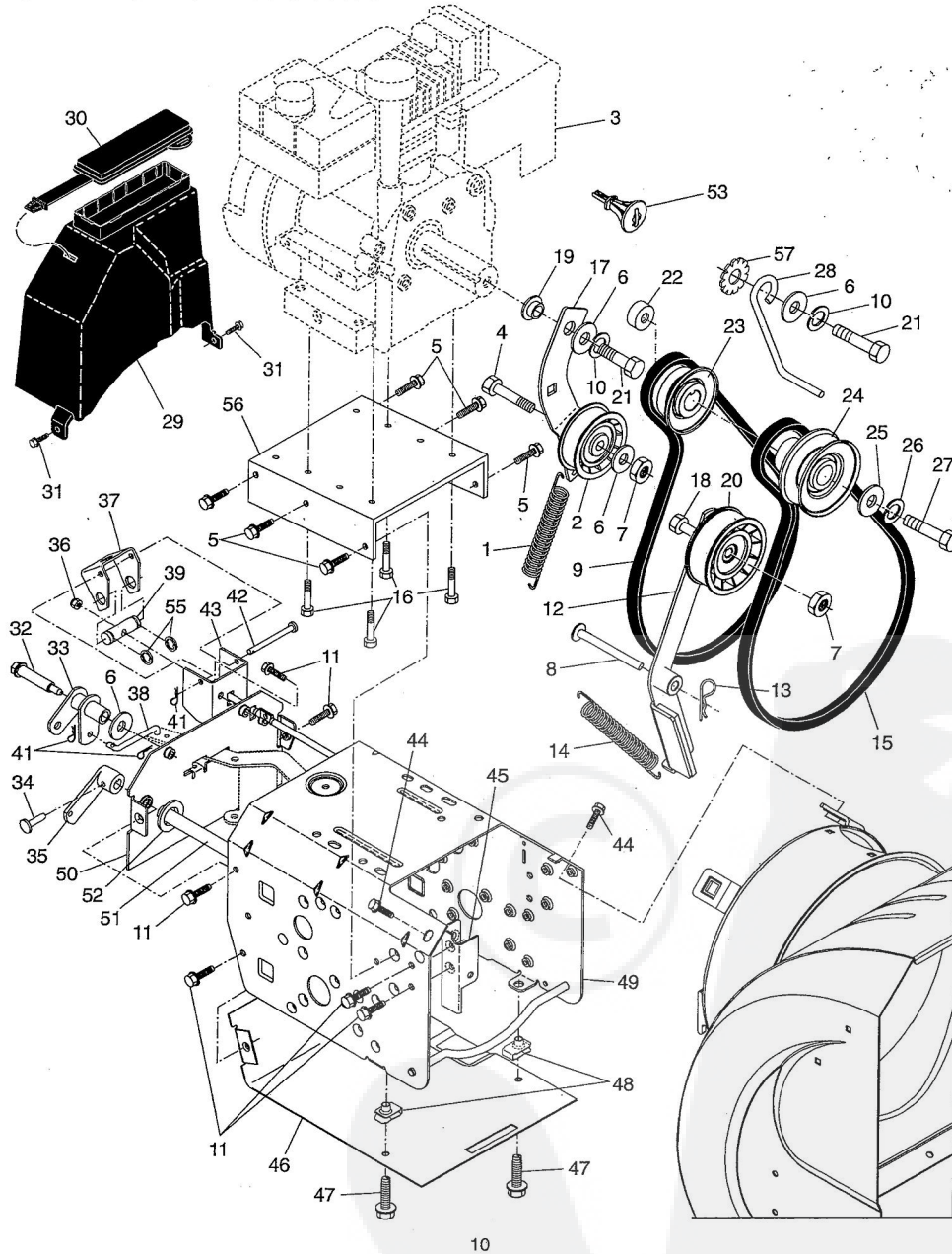
**REPAIR PARTS  
DRIVE**

**CRAFTSMAN SNOW THROWER - MODEL NO. 889930**

KEY NO.	PART NO.	DESCRIPTION
2	751153	Nut, Lock 5/16-18
4	198584	Screw, Hex Head 5/16-18 x 1/2
5	180017	Bearing, Flange
6	180134	Shaft, Auxiliary
7	179270	Spacer, Plate
8	192616X479	Plate, Auxiliary
9	180082	Gear, Intermediate (12/58)
10	180065	Gear, Pinion
11	187714	Rod, Clutch
12	180066	Shaft, Long, Hex
13	178807	Pin, Pivot
14	178619X479	Lever, Shifter / Wheel
15	175344	Trunnion Bearing Assembly
16	186951X479	Bracket, Pivot, Shifter
17	179831	Ring, Rubber Wheel
18	198176X479	Plate, Rubber Wheel
19	73930500	Nut, Lock 5/16-18
20	178613	Hub, Rubber Wheel
21	74760514	Screw, Hex Head 5/16-18 x 7/8
22	85179	Retainer, Hairpin
23	180135	Spring, Bias
24	180081	Gear, Axle (58 Teeth)
25	178695	Pin, Pivot Lever
26	197763	Plate Assembly, Drive
27	404307	Shaft, Axle
28	197764	Shaft, Short Hex
29	175350X479	Lever, Shifter Plate
30	175349X479	Bracket, Shifter Support
31	72270505	Bolt, Carriage 5/16-18 x 5/8
32	189282	Key, Square 1/4 x 1/4 x 7/8
33	188909	Bearing, Flange
34	175338X479	Plate, Drive Mounting
35	182504	Spacer, Bearing
36	191080	Pulley, Traction Drive
37	198541	Nut, Lock 5/16-18
38	19111507	Washer, Flat
39	10040500	Washer, Lock 5/16
40	74950512	Screw, Hex Head 5/16-18 x 3/4
41	12000012	Ring, Retaining
43	179095	Spring, Return
44	9465M	Pin, Roll

**NOTE:** All component dimensions given in U.S. inches. 1 inch = 25.4 mm  
**IMPORTANT:** Use only Original Equipment Manufacturer (O.E.M.) replacement parts.  
 Failure to do so could be hazardous, damage your snow thrower and void your warranty.

**REPAIR PARTS CRAFTSMAN SNOW THROWER - MODEL NO. 889930**  
**CHASSIS / ENGINE / PULLEYS**



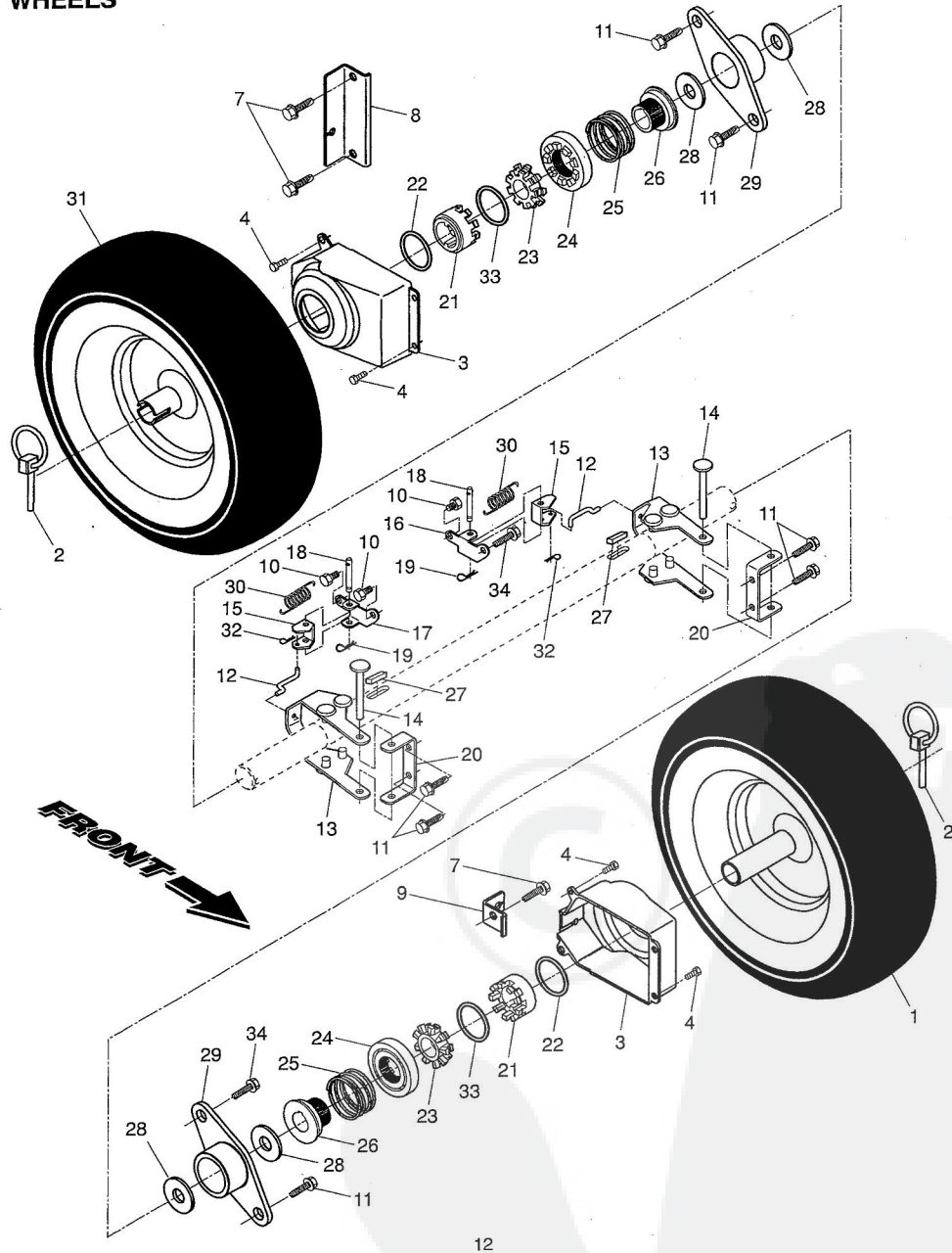
**REPAIR PARTS CRAFTSMAN SNOW THROWER - MODEL NO. 889930**  
**CHASSIS / ENGINE / PULLEYS**

KEY NO.	PART NO.	DESCRIPTION	KEY NO.	PART NO.	DESCRIPTION
1	181044	Spring, Traction Idler	28	155452	Guide, Belt
2	180552	Pulley, idler (2-1/4)	29	192213	Belt Cover Assembly (Includes Toolbox Cover)
3	---	Engine, Briggs & Stratton, Model Number 20E114 (Order parts from Engine manufacturer)	30	178830	Cover, Toolbox
4	74780520	Screw, Hex Head 5/16-18 x 1-1/4	31	405024	Screw, Hex Head 1/4-20 x 1/2
5	150078	Screw, Hex Head 5/16-18	32	179256	Bolt, Shoulder 5/16-18
6	59289	Washer, Flat	33	187853	Bellcrank Shifter
7	166785	Nut, Jam, Lock 5/16-18	34	198580	Screw, Hex Head 1/4-28 x 3/4
8	175330	Pin, Idler Pivot	35	405485	Arm, Auger Control
9	407908	V-Belt, Traction Drive	36	73800500	Nut, Lock 5/16-18
10	10040500	Washer, Lock 5/16	37	178833X479	Bellcrank
11	198584	Screw, Hex Washer Head 5/16-18 x 1/2	38	187101	Link, Speed Control
12	179259	Impeller Arm / Pad Assembly	39	192110	Trunnion, Pivot Bracket
13	85179	Retainer, Hairpin	41	700279	Clip, Retainer
14	178828	Spring, Brake	42	179065	Pin, Pivot Bracket
15	408007	V-Belt, Impeller Drive	43	179063X479	Bracket, Bellcrank
16	150406	Screw, Hex Head 3/8-16 x 1-1/4	44	17000616	Screw, Hex Head 3/8-16
17	179354X008	Arm, Idler	45	175324X479	Bracket, Pivot, Idler
18	74780524	Screw, Hex Head 5/16-18 x 1-1/2	46	178624X479	Pan, Frame Bottom
19	198559	Bushing, Idler Pivot	47	71020512	Screw, Hex Head 5/16-18 x 3/4
20	180523	Pulley, Idler (2-3/4)	48	181156	Nut, Speed 5/16-18
21	74610516	Screw, Hex Head 5/16-18 x 1	49	404429X615	Frame Assembly
22	179371	Spacer, Engine Pulley	50	187715X615	Plate, Frame End
23	180478	Pulley, Engine, Traction Drive	51	406109	Shaft, Auger Control
24	179157	Pulley, Engine, Impeller Drive	52	57079	Washer, Hardened
25	400026	Washer, Flat 3/8	53	193071	Key, Safety
26	850263	Washer, Lock 3/8	55	12000002	E-Ring
27	851084	Screw, Hex Head 3/8-24 x 1-3/8	56	183537X479	Mounting Plate, Engine
			57	11050500	Washer, Lock, External Tooth 5/16

**NOTE:** All component dimensions given in U.S. inches. 1 inch = 25.4 mm  
**IMPORTANT:** Use only Original Equipment Manufacturer (O.E.M.) replacement parts.  
Failure to do so could be hazardous, damage your snow thrower and void your warranty.

**REPAIR PARTS**  
**WHEELS**

**CRAFTSMAN SNOW THROWER - MODEL NO. 889930**





**REPAIR PARTS**  
**WHEELS**

**CRAFTSMAN SNOW THROWER - MODEL NO. 889930**

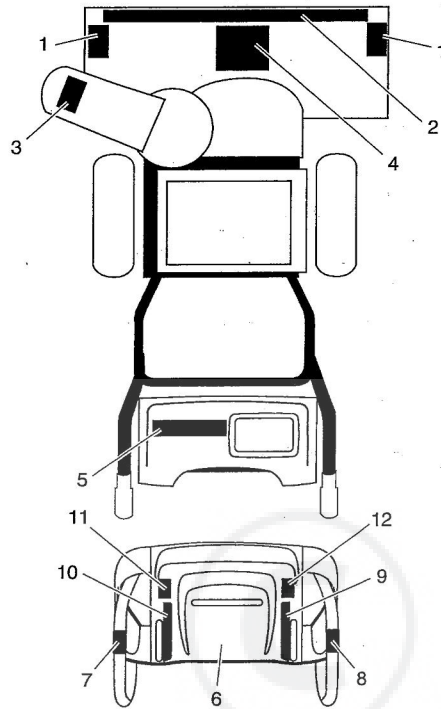
KEY NO.	PART NO.	DESCRIPTION
1	196752X417	Wheel Assembly, 16", Power Steering, LH
2	155443	Pin, Klik 1/4
3	405161	Cover, Power Steering
4	184471	Screw, Hex Head #10-24 x 1/2
7	17000616	Capscrew, Hex Head, Flanged 3/8-16 x 1
8	185603X479	Bracket, Steering Cable, RH
9	185602X004	Bracket, Steering Cable, LH
10	17600406	Screw, Hex Head 1/4-20 x 3/8
11	198584	Screw, Hex Head 5/16-18 x 1/2
12	406057	Link, Steering Lever
13	193506X479	Lever Assembly, Steering
14	182015	Pin, Steering Lever
15	194944X008	Bellcrank
16	194939X008	Bracket Assembly, LH Steering
17	194943X008	Bracket Assembly, RH Steering
18	181847	Pin, Steering Bellcrank
19	85179	Retainer, Hairpin
20	179148X479	Bracket, Lever Assembly
21	192126	Driver, Wheel
22	182466	Ring, Wire Retainer
23	187622	Lobe, Wheel
24	194941	Slide, Clutch
25	179139	Spring, Clutch Slide
26	194940	Lobe, Axle
27	189282	Key, Square 1/4 x .875
28	174697	Washer, Thrust (1")
29	179830	Bearing, Axle
30	193885	Spring, Return, Steering Latch
31	196753X417	Wheel Assembly, 16", Power Steering, RH
32	700279	Clip, Retainer
33	12000045	Ring, Retaining
34	146315	Screw, Hex Head, Tapping 5/16-18 x 5/8

**NOTE:** All component dimensions given in U.S. inches. 1 inch = 25.4 mm  
**IMPORTANT:** Use only Original Equipment Manufacturer (O.E.M.) replacement parts.  
 Failure to do so could be hazardous, damage your snow thrower and void your warranty.



**REPAIR PARTS  
DECALS**

**CRAFTSMAN SNOW THROWER - MODEL NO. 889930**



**REPAIR PARTS  
DECALS**

**CRAFTSMAN SNOW THROWER - MODEL NO. 889930**

KEY NO.	PART NO.	DESCRIPTION
1	199683	Decal, Danger
2	410535	Decal, Craftsman, 10.5HP/30"
3	199682	Decal, Danger, Deflector
4	184045	Decal, Danger
5	183876	Decal, Craftsman
6	184030	Decal, Instruction
7	184036	Decal, Traction Lever
8	184035	Decal, Auger Lever
9	184032	Decal, Speed Control
10	184031	Decal, Remote Deflector
11	183907	Decal, LH Trigger
12	183905	Decal, RH Trigger
--	410537	Operator's Manual, European
--	410538	Operator's Manual, Scandinavian
--	410541	Repair Parts Manual

**NOTE:** All component dimensions given in U.S. inches. 1 inch = 25.4 mm  
**IMPORTANT:** Use only Original Equipment Manufacturer (O.E.M.) replacement parts.  
Failure to do so could be hazardous, damage your snow thrower and void your warranty.

**LIMITED 2-YEAR WARRANTY ON CRAFTSMAN SNOW THROWER**

When used and maintained according to the operator's manual instructions, if this snow thrower fails due to a defect in material or workmanship within two years from the date of purchase, call 1-800-4-MY-HOME® to arrange for free repair.

During the first 30 days of purchase, there will be no charge to service the product in your home. For your convenience, in-home warranty service will still be available after the first 30 days of purchase, but a trip charge will apply. This charge will be waived if you transport the product to an authorized Craftsman drop-off location. For the nearest authorized location, call 1-800-4-MY-HOME®.

Warranty coverage does not include:

- Expendable items that become worn during normal use, including but not limited to spark plugs, shear pins, belts.
- Standard maintenance servicing, oil changes, or tune-ups.
- Tire replacement or repair caused by punctures from outside objects, such as nails, thorns, stumps, or glass.
- Repairs necessary because of operator abuse, including but not limited to damage caused by impacting objects that bend the frame, crankshaft or auger, or over-speeding the engine.
- Repairs necessary because of operator negligence, including but not limited to damage caused by improper storage, failure to use the proper grade and amount of engine oil, or failure to maintain the equipment according to the instructions contained in the operator's manual
- Engine (fuel system) cleaning or repairs necessary because of fuel determined to be contaminated or oxidized (stale). In general, fuel should be used within 30 days of its purchase date.
- Normal deterioration and wear of the exterior finishes, or product label replacement.

This warranty applies for only 90 days if this product is used for commercial or rental purposes.

This warranty applies only while this product is within the United States.

This warranty gives you specific legal rights, and you may also have other rights, which vary, from state to state.

**Sears, Roebuck And Co., Dept. 817WA, Hoffman Estates, IL 60179**



**CRAFTSMAN®**