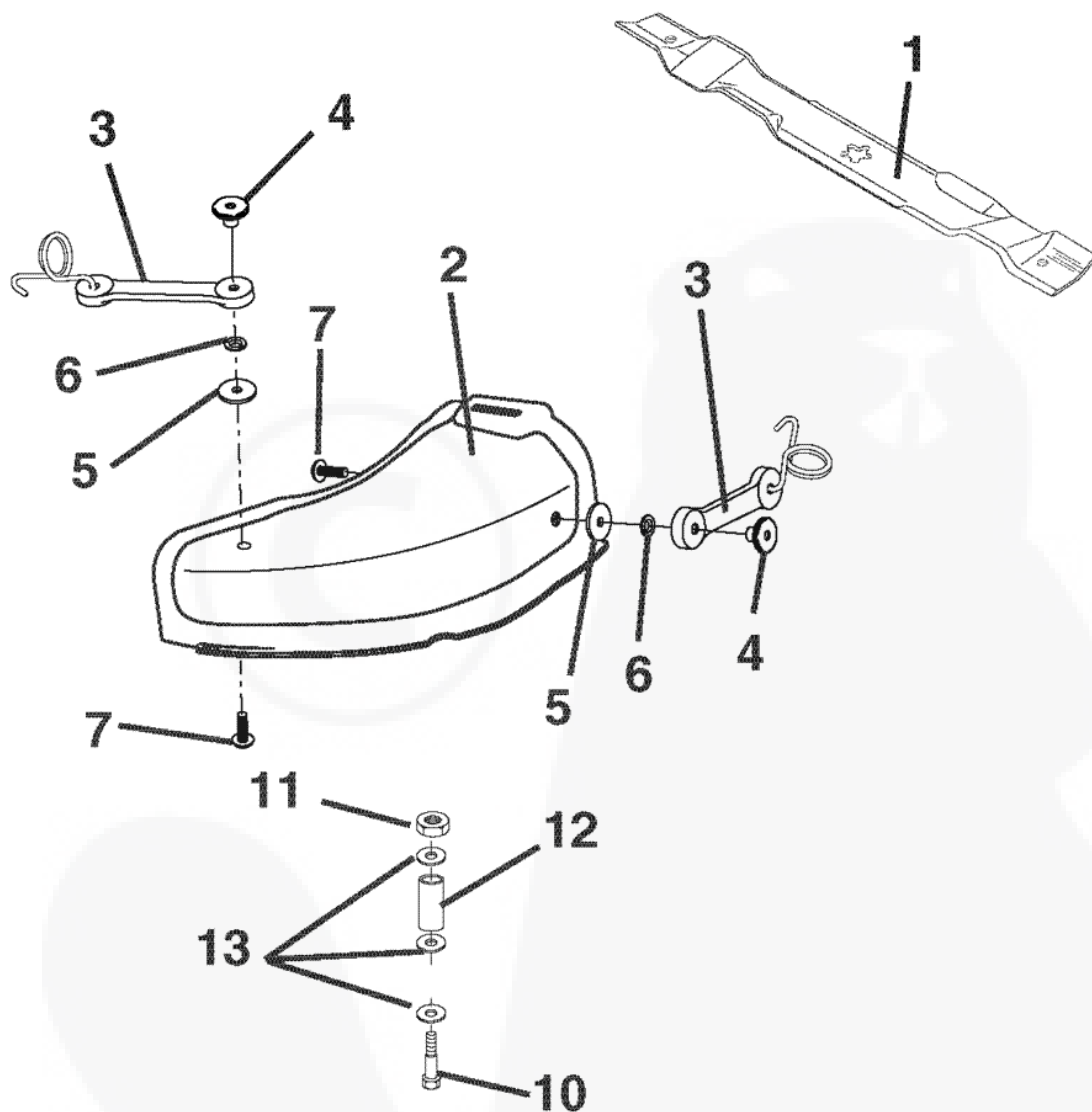


ATTACHMENTS



Ref	Part No	Description	QTY	KIT
1	532 18 72-55	RIDE ON BLADE	1	
2	532 18 72-98	MULCH COVER	1	
3	532 16 07-93	LATCH	1	
4	532 12 50-04	NUT	1	
5	819 06 12-16	WASHER	1	
6	810 07 10-00	WASHER	1	
7	871 08 10-10	SCREW	1	

Ref	Part No	Description	QTY	KIT
10	874 76 04-32	BOLT	1	
11	873 80 04-00	NUT	1	
12	532 12 12-49	SPACER	1	
13	532 12 66-84	SHIM	1	

