



REPAIR PARTS MANUAL
MODEL NO. SN4V876C
Lawn Mower



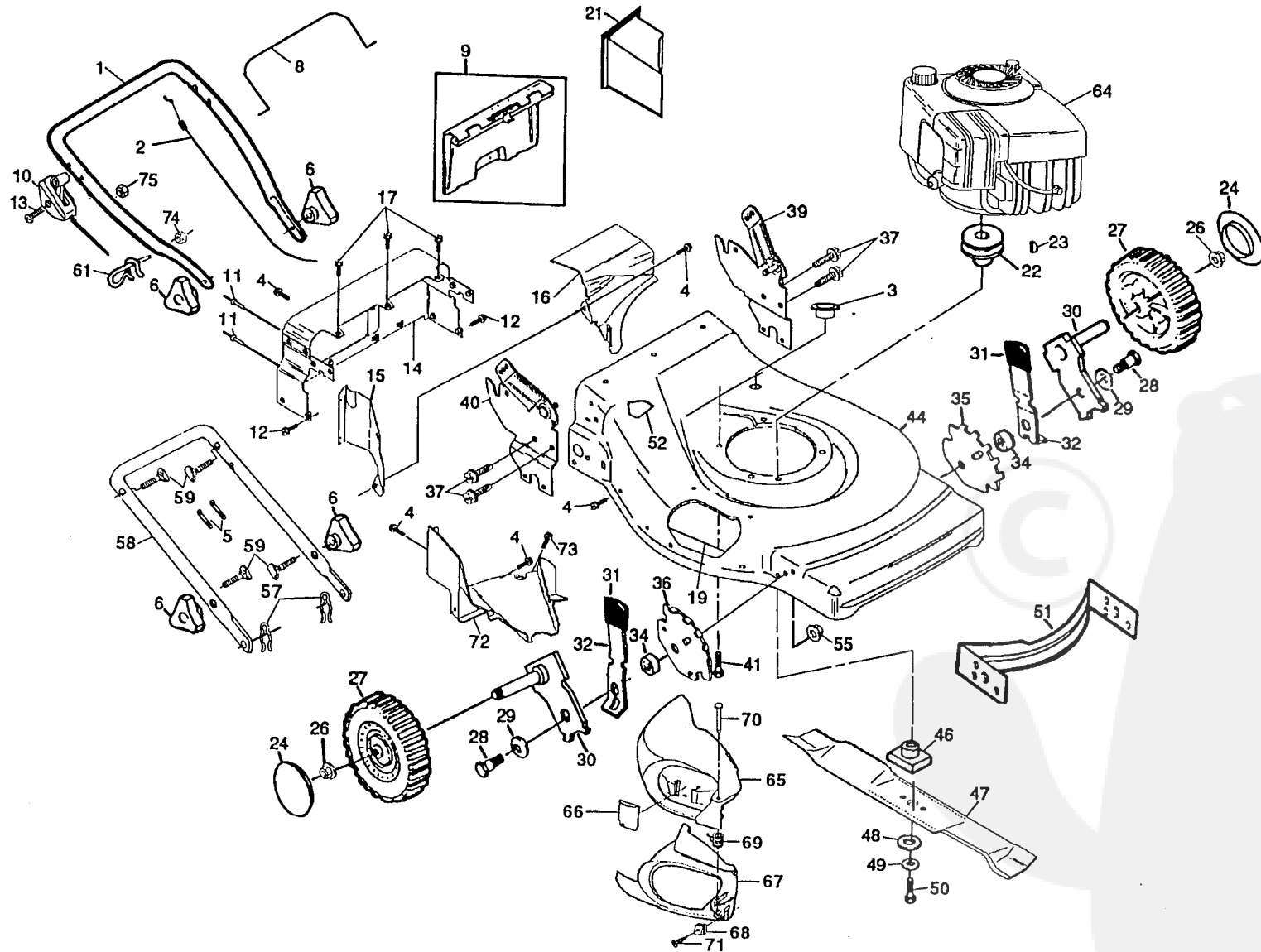
SWORN

162016 11.21.97 VB
PRINTED IN U.S.A.

REPAIR PARTS

ROTARY LAWN MOWER MODEL NUMBER SN4V876C

2



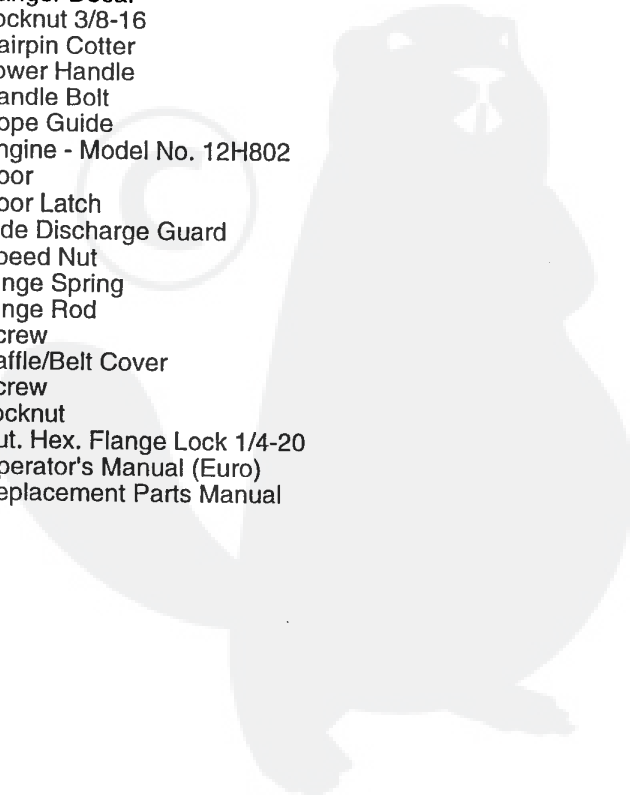
REPAIR PARTS

ROTARY LAWN MOWER MODEL NUMBER SN4V876C

3

KEY NO.	PART NO	DESCRIPTION
1	154480X479	Upper Handle
2	149771	Engine Zone Control Cable
3	145073	Grommet, Cable
4	150050	Screw
5	66426	Wire Tie
6	87692	Handle Knob
8	145641	Control Bar, Engine
9	147690	Rear Door Kit
10	700644	Throttle Control
11	128415	Pop Rivets
12	54583	Hex Tapping Screw 1/4-20 x 1/2
13	59935	Screw
14	144991X479	Back Plate
15	145594X479	Side Baffle
16	145066X479	Discharge Baffle
17	149027	Truss Head Tapping Screw 1/4-20 x 1/2
19	148152X479	Baffle Plate
21	150099	Mulcher Plug
22	84596	Engine Pulley
23	87677	Hi-Pro Key #505
24	77400	Hubcap
26	83923	Nut, Hex Flange
27	800333	Wheel & Tire Assembly
28	142748	Shoulder Bolt 3/8-16
29	62335	Belleville Washer
30	145937X004	Axle Arm Assembly
31	701037	Selector Knob
32	850862X004	Selector Spring
34	146630	Spacer
35	132513	Wheel Adjusting Bracket (Left)
36	132512	Wheel Adjusting Bracket (Right)

KEY NO.	PART NO	DESCRIPTION
37	150078	Thread Cutting Screw 5/16-18 x 3/4
39	153304X479	Handle Bracket Assembly (Left)
40	153305X479	Handle Bracket Assembly (Right)
41	150406	Engine Bolt
44	152380	Lawn Mower Housing (Incl. Key #14,15,51 &52)
46	851514	Blade Adapter
47	141443	Blade 22"
48	851074	Hardened Washer
49	850263	Helical Washer 3/8-24 x 1-3/8 Grd. 8
50	851084	Hex Head Machine Screw 3/8-24 x 1-3/8 Grd. 8
51	801652X479	Front Baffle
52	145494	Danger Decal
55	751592	Locknut 3/8-16
57	51793	Hairpin Cotter
58	151723X479	Lower Handle
59	131959	Handle Bolt
61	132001	Rope Guide
64	-----	Engine - Model No. 12H802
65	701458	Door
66	146595X479	Door Latch
67	702807	Side Discharge Guard
68	141839	Speed Nut
69	702808	Hinge Spring
70	702809	Hinge Rod
71	141841	Screw
72	145062	Baffle/Belt Cover
73	17411312	Screw
74	63601	Locknut
75	751152	Nut, Hex. Flange Lock 1/4-20
--	153101	Operator's Manual (Euro)
--	162016	Replacement Parts Manual

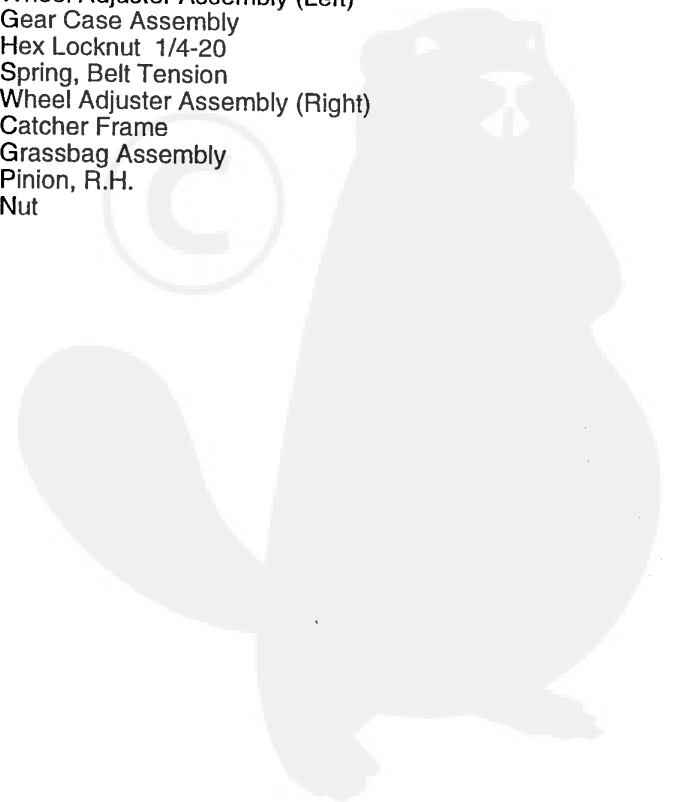


REPAIR PARTS

ROTARY LAWN MOWER MODEL NUMBER SN4V876C

KEY NO.	PART NO.	DESCRIPTION
1	162716	Drive Control
2	147715	Drive Head Kit
3	M73031000	Nut, Metric
4	158755	Screw 1/4-20
5	150327	V-Belt
6	146315	Screw
7	145212	Nut, Hex Flange
8	77400	Hubcap
9	57079	Washer
10	88446	Nylon Bushing
11	162062	Wheel & Tire Assembly
12	12000058	E-Ring
13	850017	Pinion, L.H.
14	88080	Dust Cover
15	145354	Pin, Spring Thrust
16	67725	Washer 1/2 x 1-1/2 x .134

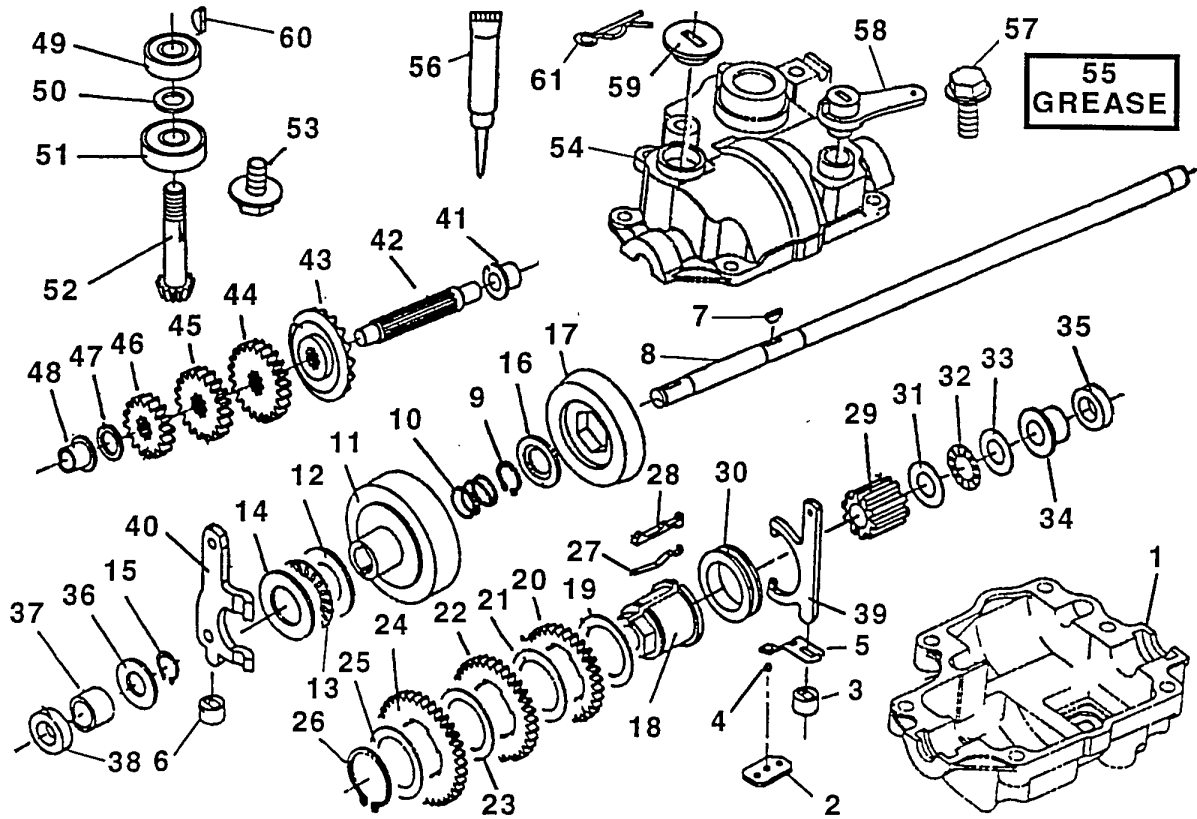
KEY NO.	PART NO.	DESCRIPTION
17	851980	Drive Pin
18	701037	Selector Knob
19	162715	Control Bar, Drive
25	161462X004	Bracket Dawn
27	750097	Screw #10-24 x 1/2
28	145096X004	Bracket, Gearcase
31	145842X004	Lever, Clutch
32	150326	Drive Pulley
35	157689	Wheel Adjuster Assembly (Left)
36	150330	Gear Case Assembly
38	63601	Hex Locknut 1/4-20
40	144902	Spring, Belt Tension
41	157688	Wheel Adjuster Assembly (Right)
52	150224	Catcher Frame
54	150717	Grassbag Assembly
57	850016	Pinion, R.H.
58	751152	Nut



REPAIR PARTS

ROTARY LAWN MOWER MODEL NUMBER SN4V876C

GEAR CASE ASSEMBLY 150330



KEY PART NO. NO.

DESCRIPTION

1	148145	Case, Lower
2	148123	Plate, Detent
3	148118	Support, Fork, Shift
4	148135	Ball, Detent
5	148122	Spring, Detent
6	148132	Support, Fork, Clutch
7	148093	Key, Woodruff
8	148114	Axle, Shaft
9	148095	Ring, 12.7
10	148109	Spring, Return
11	148102	Cone, Cave
12	148112	Washer, Thrust
13	148108	Bearing, Thrust, Needle
14	148112	Washer, Thrust
15	148095	Ring, 12.7
16	148096	Washer, Retainer
17	148103	Cone
18	148101	Collar, Shift
19	148097	Washer
20	148090	Gear, 3 Teeth
21	148097	Washer
22	148083	Gear, 3 Teeth
23	148097	Washer
24	148075	Gear, 3 Teeth
25	148097	Washer
26	148113	Ring 28
27	148119	Spring, Shift
28	148121	Key, Shift
29	148098	Support, Key
30	148115	Collar, Shift
31	148111	Washer, Thrust 1/2
32	148110	Bearing, Thrust, Needle

KEY PART NO. NO.

DESCRIPTION

33	148111	Washer, Thrust 1/2
34	148106	Bushing, Transmission 1/2
35	148107	Seal 1/2
36	148096	Washer, Retainer
37	148104	Bushing, Transmission
38	148107	Seal 1/2
39	148116	Fork, Shift
40	148124	Fork, Clutch
41	148069	Bushing
42	148065	Shaft, Reduction
43	148066	Gear, Bevel 3 Teeth
44	148089	Gear, Spur 2 Teeth
45	148080	Gear, Spur 1 Tooth
46	148072	Gear, Spur 1 Tooth
47	148067	Washer
48	148069	Bushing
49	148141	Bearing, Ball 6000U
50	148139	Washer, 10
51	148140	Bearing, Ball 6200
52	148137	Shaft, Input
53	148146	Screw, Self-Tapping
54	148144	Case, Upper
55	---	Grease
56	148142	Sealant
57	148147	Screw, Self-Tapping, Case
58	148117	Arm, Shift
59	148127	Support, Upper, Clutch
60	148138	Key, Woodruff
61	148133	Pin, Snap 14

NOTE: All component dimensions given in U.S. inches
1 inch = 25.4 mm

CONGRATULATIONS on your purchase of a new lawn mower. Your lawn mower has been designed, engineered and manufactured to give you the best possible dependability and performance.

LIMITED WARRANTY

The Manufacturer warrants to the original consumer purchaser that this product as manufactured is free from defects in materials and workmanship. For a period of one (1) year from date of purchase by the original consumer purchaser, we will repair or replace, at our option, without charge for parts or labor incurred in replacing parts, any part which we find to be defective due to materials or workmanship. This Warranty is subject to the following limitations and exclusions.

1. This warranty does not apply to the engine, other than AYP manufactured transaxle/transmission components, battery (except as noted below) or components parts thereof. Please refer to the applicable manufacturer's warranty on these items.
2. Transportation charges for the movement of any power equipment unit or attachment are the responsibility of the purchaser. Transportation charges for any parts submitted for replacement under this warranty must be paid by the purchaser unless such return is requested by American Yard Products.
3. **Battery Warranty:** On products equipped with a Battery, we will replace, without charge to you, any battery which we find to be defective in manufacture, during the first ninety (90) days of ownership. After ninety (90) days, we will exchange the Battery, charging you 1/12 of the price of a new Battery for each full month from the date of the original sale. Battery must be maintained in accordance with the instructions furnished.
4. The Warranty period for any products used for rental or commercial purposes is limited to 45 days from the date of original purchase.
5. This Warranty applies only to products which have been properly assembled, adjusted, operated, and maintained in accordance with the instructions furnished. This Warranty does not apply to any product which has been subjected to alteration, misuse, abuse, improper assembly or installation, delivery damage, or to normal wear of the product.
6. **Exclusions:** Excluded from this Warranty are belts, blades, blade adapters, normal wear, normal adjustments, standard hardware and normal maintenance.
7. In the event you have a claim under this Warranty, you must return the product to an authorized service dealer.

Should you have any unanswered questions concerning this Warranty, please contact:

American Yard Products
Service Department
P.O. Box 1687
Orangeburg, SC 29116 USA

In Canada contact:
American Yard Products
1580 Trinity Drive, Units 5-8
Mississauga, Ontario
L5T 1L6

giving the model number, serial number and date of purchase of your product and the name and address of the authorized dealer from whom it was purchased.

THIS WARRANTY DOES NOT APPLY TO INCIDENTAL OR CONSEQUENTIAL DAMAGES AND ANY IMPLIED WARRANTIES ARE LIMITED TO THE SAME TIME PERIODS STATED HEREIN FOR OUR EXPRESSED WARRANTIES. Some areas do not allow the limitation of consequential damages or limitations of how long an implied Warranty may last, so the above limitations or exclusions may not apply to you. This Warranty gives you specific legal rights, and you may have other rights which vary from locale to locale.

This is a limited Warranty within the meaning of that term as defined in the Magnuson-Moss Act of 1975.