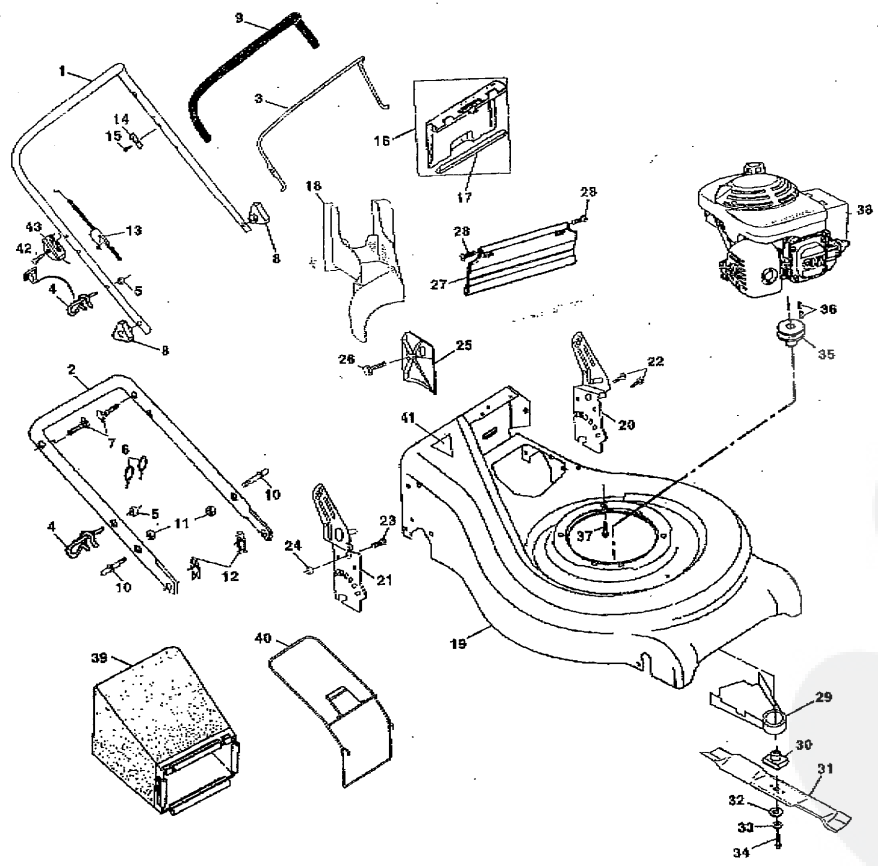


REPAIR PARTS

ROTARY LAWN MOWER - - MODEL NO. SN55ZCPA



2

FROM : R. Y. P. - SALES DEPT
DATE: 04/22
4 pg.

803 533 4900

1903.02-12

10:05

#511 P. 01/04

SN55ZCPA

REPAIR PARTS

ROTARY LAWN MOWER -- MODEL NO. SN55ZCPA

KEY NO.	PART NO.	DESCRIPTION
1	161603	Handle, Upper Dix Comf.
2	161105X479	Handle, Lower
3	131036	Bail, Cont. Wire Dix Comf. Blk
4	153638	Guide, Rope, Side
5	63601	Nut, Hex Lockwasher 1/4-20
6	66426	Wire, Tie
7	131959	Bolt, Handle 5/16-18 x 1.75
8	87692	Knob, Handle
9	155890	Grip, Hd/ Foam Smooth
10	161551	Bolt, Sq. Neck
11	73990500	Nut, Hex Lockwasher Ins. 5/16-18 UNC
12	51793	Cotter, Hairpin
13	133107	Cable
14	860733X004	Bracket, Upstop
15	750097	Screw, Hex Washer Head Tapping 10-2
16	162085	Kit, Door Rear
17	161548	Seal, Door
18	161004	Plug, Mulcher
19	162097	Kit, Housing
20	161568X479	Handle, Bracket

KEY NO.	PART NO.	DESCRIPTION
21	161569X479	Handle, Bracket Asm. Right
22	150078	Screw, Hex Wshd
23	163183	Bolt, Hex Head 5/16-18 x 5/8
24	63124	Nut, Hex Lock Wshr 5/16-18
25	161333	Baffle, Side
26	163409	Screw 12 x 5/8
27	161550	Skirt
28	88652	Screw, Hinge 1/4-20 x 1.25
29	134612	Shield, Debris Modified
30	851514	Adapter, Blade w/key Longer
31	159267	Blade, 21"
32	851074	Washer, Hardened
33	850263	Lockwasher, Helical Spring 3/8
34	851084	Screw, Hex Head 3/8-24 x 1.38
35	84596	Pulley, Engine
36	87677	Key, Hi Pro
37	150406	Bolt, Engine
38	-----	Engine (See Breakdown) GCV-160
39	162083	Grass Catcher Bag
40	161358	Grass Catcher Frame
41	145494	Danger Decal
42	144929	Screw
43	147551	Throttle Control
--	162095	Operator's Manual(Euro)
--	162926	Repair Parts Manual

* These parts must be purchased through an authorized Briggs & Stratton dealer.

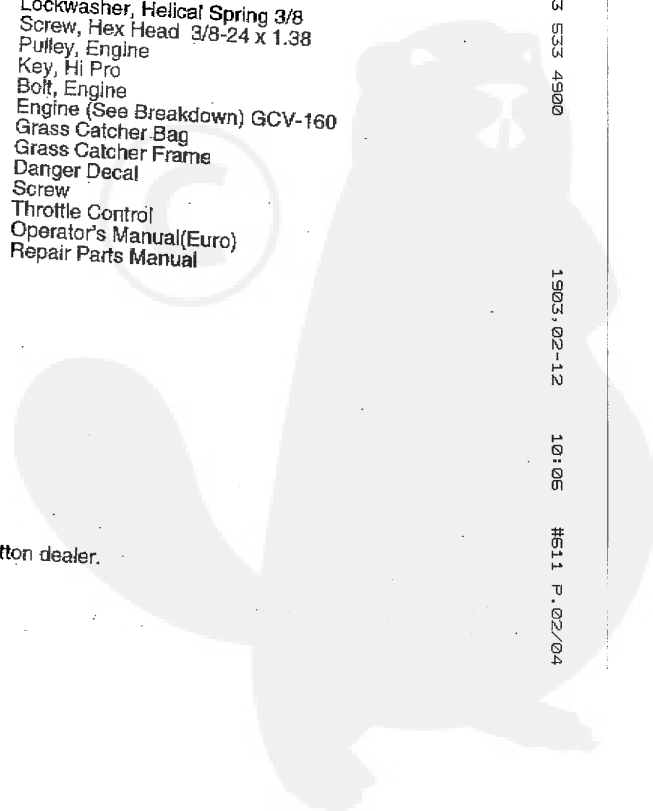
FROM : R. Y. P. - SALES DEPT

803 533 4900

1903.02-12

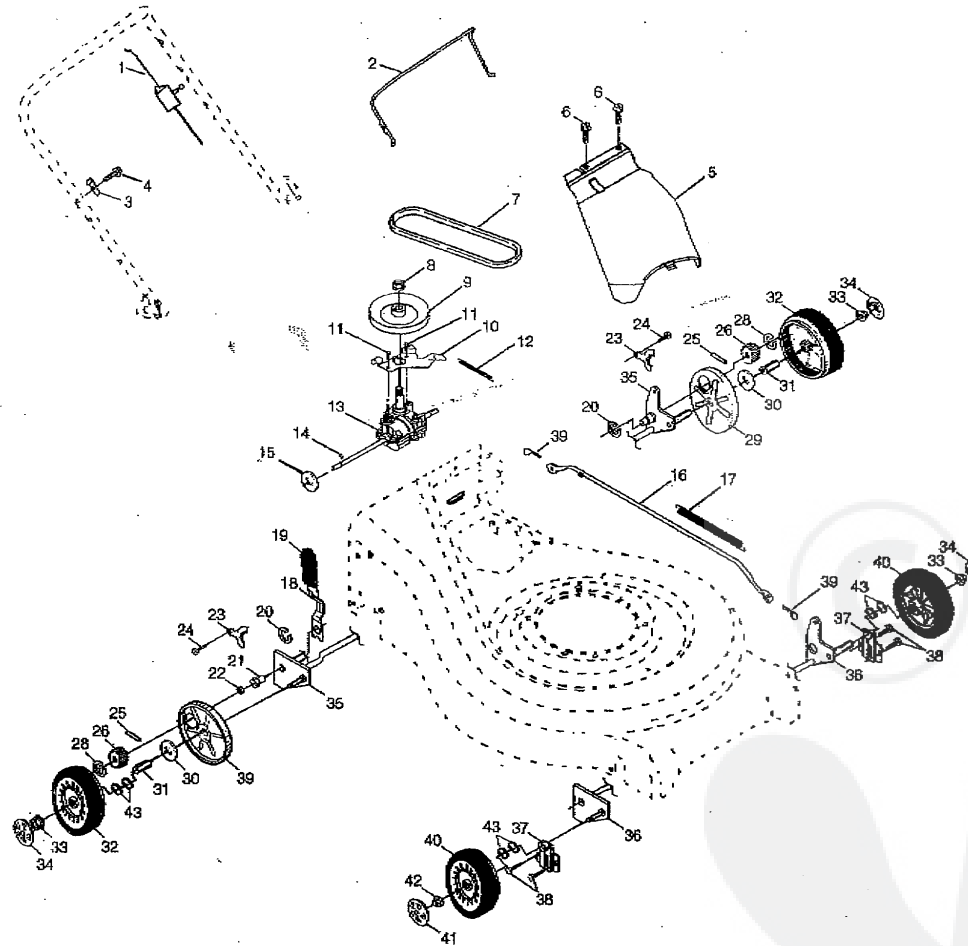
10:05

#511 P.02/04



REPAIR PARTS

ROTARY LAWN MOWER -- MODEL NO. SN55ZCPA



4

FROM : R. Y. P. - SALES DEPT

803 533 4900

1903.02-12

10106

#511 P.03/04

REPAIR PARTS

ROTARY LAWN MOWER - - MODEL NO. SN55ZCPA

KEY NO.	PART NO.	DESCRIPTION
1	161587	Cable Drive
2	161473	Bail Control Drive
3	161478X004	Bracket, Downstop
4	750097	Screw Hex Wash Head Tapping 10-2
5	161537	Cover Drive
6	750634	Screw Thdrol 10-25 x .50
7	160816	V-Belt
8	132010	Nut Lock Flanged 3/8-16 Zinc
9	160814	Pulley Driven
10	160813X004	Belt Keeper
11	17541011	Screw Hex Wash Head 10-24 X .668
12	75192	Spring
13	161581	Transmission Asm.
14	145354	Pin Spring Thrust
15	57079	Washer Hardened
16	161584X479	Rod Connecting
17	161602	Spring Extension
18	160477X004	Spring Selector
19	161961	Knob Selector Spring
20	12000060	E-Ring 7/8

KEY NO.	PART NO.	DESCRIPTION
21	163365	Bearing Support
22	88060	Bearing Ball
23	161118X004	Retainer Drive Asm. Stmp.
24	57808	Screw Hex Head Tapping 1/4-20 x .75
25	851980	Drive Pawl
26	850016	Pinion, Drive RH
27	850017	Pinion, Drive LH
28	12000058	E-Ring 7/16
29	88080	Cover, Dust Wheel
30	67725	Washer 1/2 x 1-1/2 x .134
32	162062	Wheel 9 x 2
33	83923	Nut Hex Flange Lock
34	77400	Hubcap
35	160785 X004	Shaft Asm. Rear
36	160786X004	Shaft Asm. Front
37	161463	Retainer Front Shaft
38	163409	Screw 12 x 5/8
39	700279	Clip Retainer
40	800333	Wheel 8 x 2
41	77400	Hubcap
42	83923	Nut, Hex Flange Lock 3/8-16
43	57143	Wave Washer

5

FROM : R. Y. P. - SALES DEPT

803 533 4900

1903.02-12

10:07

#511 P. 04/04

