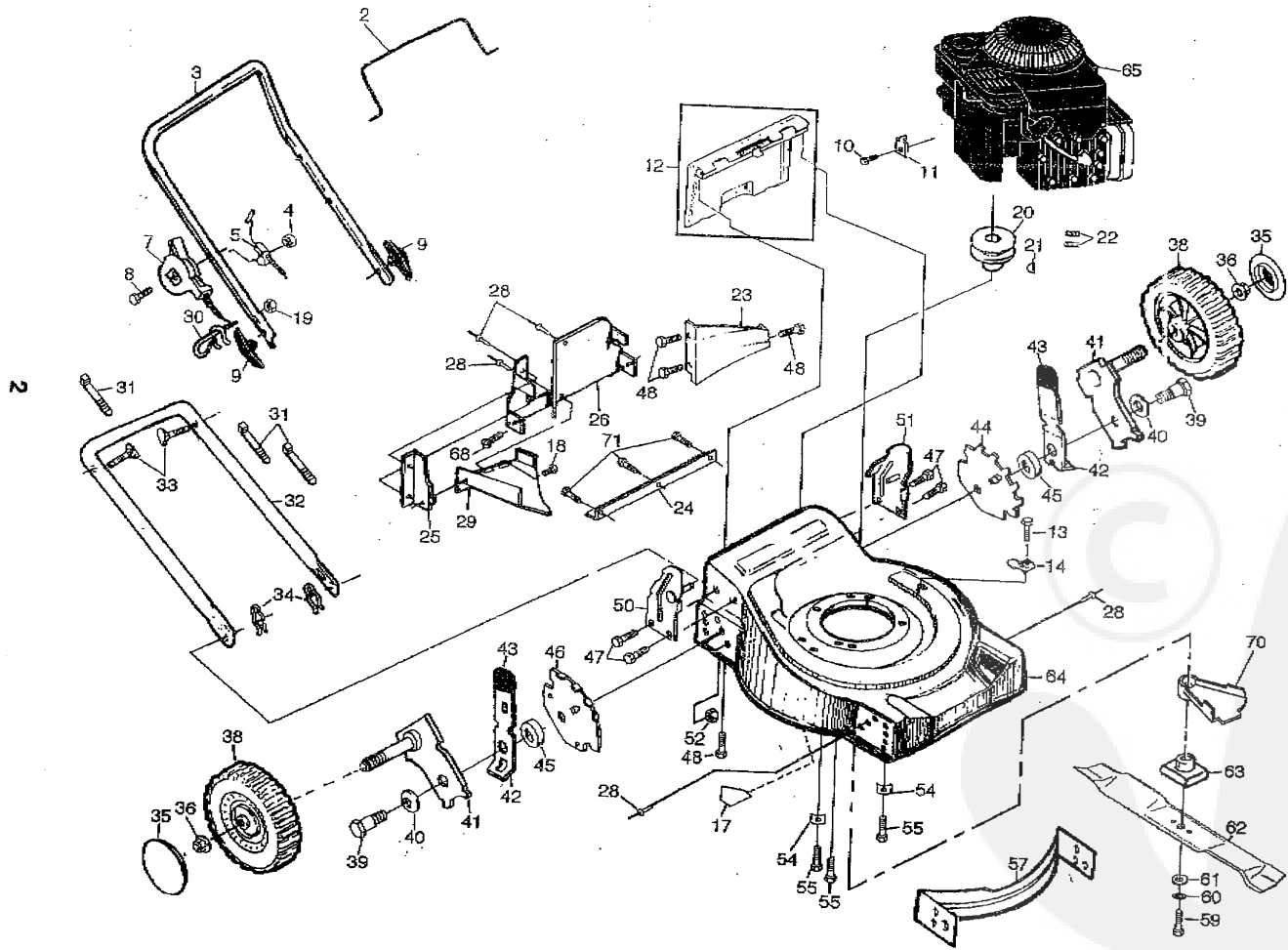


REPAIR PARTS

ROTARY LAWN MOWER -- MODEL NO. SN4E479B

SN4E479B



FROM : R.Y.P. - SALES DEPT

803 533 4900

1903, 03-27

07:53

#562 P. 02/05

REPAIR PARTS

ROTARY LAWN MOWER -- MODEL NO. SN4E479B

| KEY NO. | PART NO. | DESCRIPTION |
|---------|------------|--------------------------------------|
| 2 | 146771 | Control Bar |
| 3 | 149637X479 | Upper Handle |
| 4 | 63601 | Locknut |
| 5 | 130861 | Engine Zone Control Cable |
| 7 | 700417 | Throttle Control |
| 8 | 144929 | Hex Washer Head Screw 1/4-20 x 2-1/8 |
| 9 | 136376 | Handle Knob |
| 10 | 83816 | Screw #10 x 5/8 |
| 11 | 213146 | * Cable Clamp (Engine) |
| 12 | 147612 | Rear Door Kit |
| 13 | 750097 | Hex Washer Head Screw #10-24 x 1/2 |
| 14 | 87930 | Housing Cable Guide |
| 17 | 145494 | Danger Decal |
| 18 | 86344 | Screw |
| 19 | 73510400 | Keeps Locknut 1/4-20 |
| 20 | 84596 | Engine Pulley |
| 21 | 87677 | Hi Pro Key #505 |
| 22 | 59708 | Set Screw 1/4-20 x 5/16 |
| 23 | 133040X479 | Baffle, Rear |
| 24 | 146143X479 | Foot Guard |
| 25 | 700365X479 | Side Baffle |
| 26 | 700360X479 | Back Plate |
| 28 | 128415 | Pop Rivet |
| 29 | 133190X479 | Discharge Baffle |
| 30 | 132001 | Rope Guide |
| 31 | 66426 | Wire Tie |
| 32 | 132813X479 | Lower Handle |
| 33 | 131959 | Handle Bolt |
| 34 | 51793 | Hairpin Cotter |
| 35 | 77400 | Hubcap |
| 36 | 83923 | Flanged Locknut |
| 38 | 146247 | Wheel & Tire Assembly |
| 39 | 142748 | Shoulder Bolt |

| KEY NO. | PART NO. | DESCRIPTION |
|---------|------------|---|
| 40 | 62335 | Belleville Washer |
| 41 | 145935X004 | Axle Arm |
| 42 | 700331X004 | Selector Spring |
| 43 | 87877 | Selector Knob |
| 44 | 700326X007 | Wheel Adjusting Bracket (L.R.) |
| 45 | 84920 | Spacer |
| 46 | 700327X007 | Wheel Adjusting Bracket (R.R.) |
| 47 | 55187 | Self-tapping Screw 5/16-18 x 3/4 |
| 48 | 54583 | Screw |
| 50 | 700913X479 | Handle Bracket (Right) |
| 51 | 700910X479 | Handle Bracket (Left) |
| 52 | 751592 | Locknut 3/8-16 |
| 54 | 851201X004 | Engine Washer |
| 55 | 850996 | Hex Head Thread Rolling Screw 3/8-16 x 1 |
| 57 | 132255X479 | Front Baffle |
| 59 | 851084 | Hex Head Machine Screw 3/8-24 x 1-3/8 Gr. 8 |
| 60 | 850263 | Helical Lock Washer |
| 61 | 851074 | Hardened Washer |
| 62 | 141114 | Blade 22" |
| 63 | 851514 | Blade Adapter |
| 64 | 149113 | Lawn Mower Housing Kit (Includes Key No. 17) |
| 65 | ----- | * Engine - Briggs & Stratton Model No. 12E802 |
| 68 | 88652 | Screw, Hinge |
| 70 | 134612 | Shield, Debris |
| 71 | 146694 | Screw |
| -- | 146983 | Operator's Manual (English) |
| -- | 146984 | Operator's Manual (French) |
| -- | 149734 | Repair Parts Manual |

Available accessories not included with lawn mower:
 -- MK22FRD Mulcher Kit
 -- MA36 Chute Deflector

* These parts must be purchased through an authorized Briggs & Stratton dealer.

FROM : R.Y.P. - SALES DEPT

803 533 4900

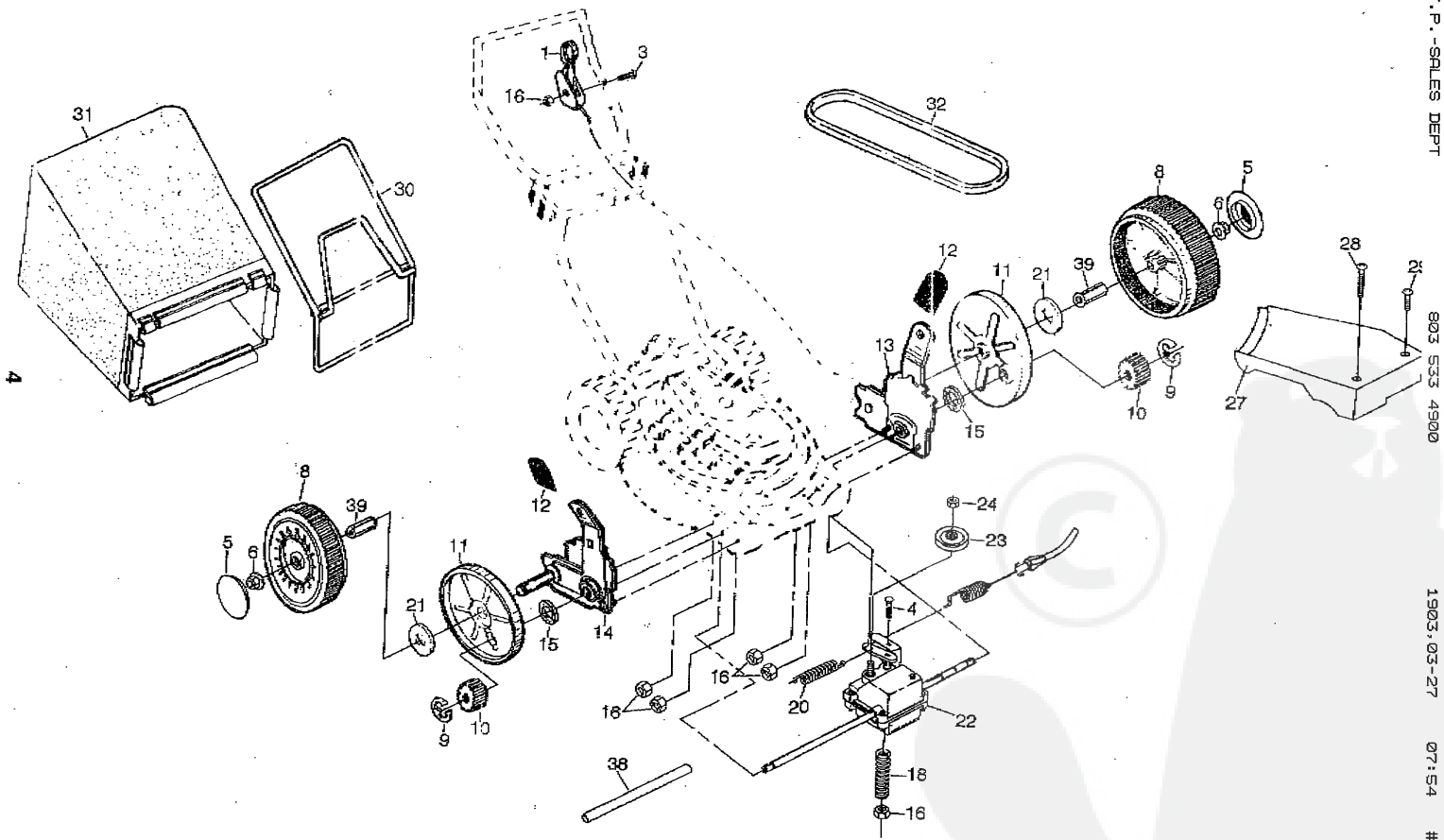
1903.03-27

07:54

#562 P.03/06

REPAIR PARTS

ROTARY LAWN MOWER -- MODEL NO. SN4E479B



FROM : R.Y.P. - SALES DEPT

803 533 4900

1903, 03-27

07:54

#662 P.04/05

REPAIR PARTS

ROTARY LAWN MOWER -- MODEL NO. SN4E479B

| KEY NO. | PART NO. | DESCRIPTION |
|---------|----------|-------------------------------------|
| 1 | 146323 | Drive Control |
| 3 | 144929 | Hex Washer Head Screw 1/4-20 x 2.12 |
| 4 | 700875 | Carriage Bolt 1/4-20 x 2 |
| 5 | 77400 | Hubcap |
| 6 | 145212 | Flanged Locknut |
| 8 | 700953 | Wheel & Tire Assembly |
| 9 | 1000058 | E-ring |
| 10 | 107054 | Pinion |
| 11 | 86080 | Dust Cover |
| 12 | 87877 | Selector Knob |
| 13 | 148493 | Wheel Adjuster Assembly (Left) |
| 14 | 148492 | Wheel Adjuster Assembly (Right) |
| 15 | 88118 | Felt Washer |
| 16 | 63301 | Locknut |

| KEY NO. | PART NO. | DESCRIPTION |
|---------|----------|---------------------------------------|
| 18 | 137090 | Spring |
| 20 | 75192 | Spring |
| 21 | 67725 | Washer 1/2 x 1-1/2 x .134 |
| 22 | 702511 | Gear Case Assembly |
| 23 | 137052 | Drive Pulley |
| 24 | 132010 | Locknut |
| 27 | 137081 | Drive Cover |
| 28 | 87866 | Pan Head Tapping Screw #10-24 x 2-3/4 |
| 29 | 136797 | Pan Head Tapping Screw #10-24 x 1-3/4 |
| 30 | 149555 | Catcher Frame |
| 31 | 149619 | Grass Bag |
| 32 | 137078 | V-Belt |
| 38 | 86012 | Drive Shaft Cover |
| 39 | 88446 | Wheel Bushing |

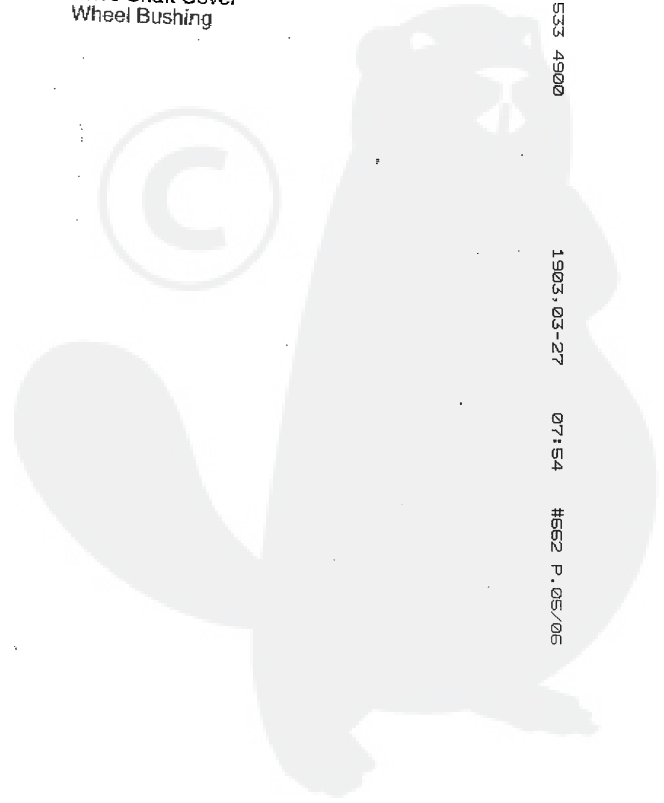
FROM : R. Y. P. - SALES DEPT

803 533 4900

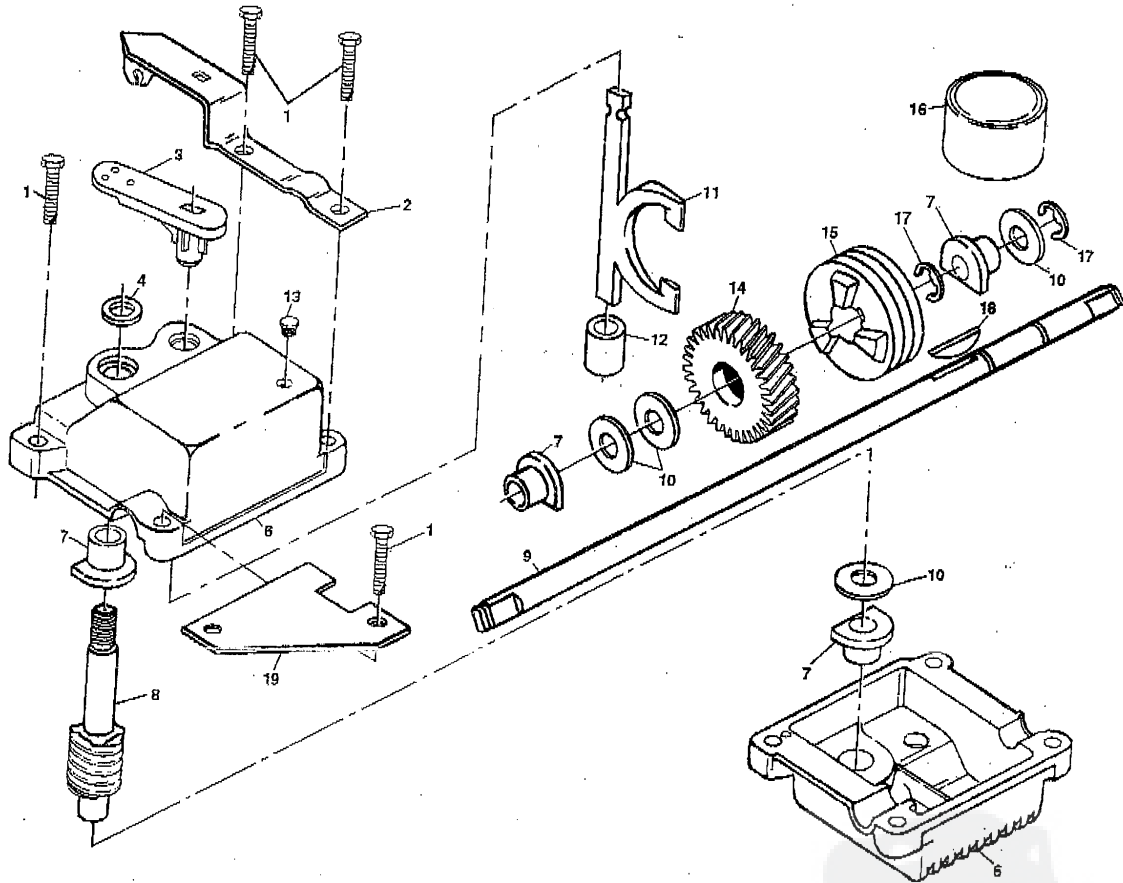
1903.03-27

07:54

#852 P. 05/05



POWER PROPELLED LAWN MOWER -- MODEL NO. SN4E479B
GEAR CASE ASSEMBLY PART NUMBER 702511



| KEY NO. | PART NO. | DESCRIPTION |
|---------|------------|--|
| 1 | 17490416 | Tapping Screw 1/4-20 x 1-1/4 |
| 2 | 137055X004 | Engagement Bracket |
| 3 | 137053 | Shifter |
| 4 | 57072 | Seal |
| 6 | 48373 | Gear Case Halves Kit (Includes Key Nos. 4, 5, and 7) |
| 7 | 77881 | Bearing |
| 8 | 137051 | Worm Shaft |
| 9 | 137074 | Drive Shaft |
| 10 | 57079 | Hardened Washer |

| KEY NO. | PART NO. | DESCRIPTION |
|---------|-----------|----------------|
| 11 | 131484 | Clutch Yoke |
| 12 | 700343 | Bushing |
| 13 | 86447 | Plug |
| 14 | 137050 | Helical Gear |
| 15 | 750436X | Clutch Jaw |
| 16 | 750369 | Grease |
| 17 | 12000003 | E-Ring |
| 18 | 850848 | Hi-Pro Key |
| 19 | 81585X004 | Spring Bracket |

NOTE: All component dimensions given in U.S. inches.
 1 inch = 25.4 mm