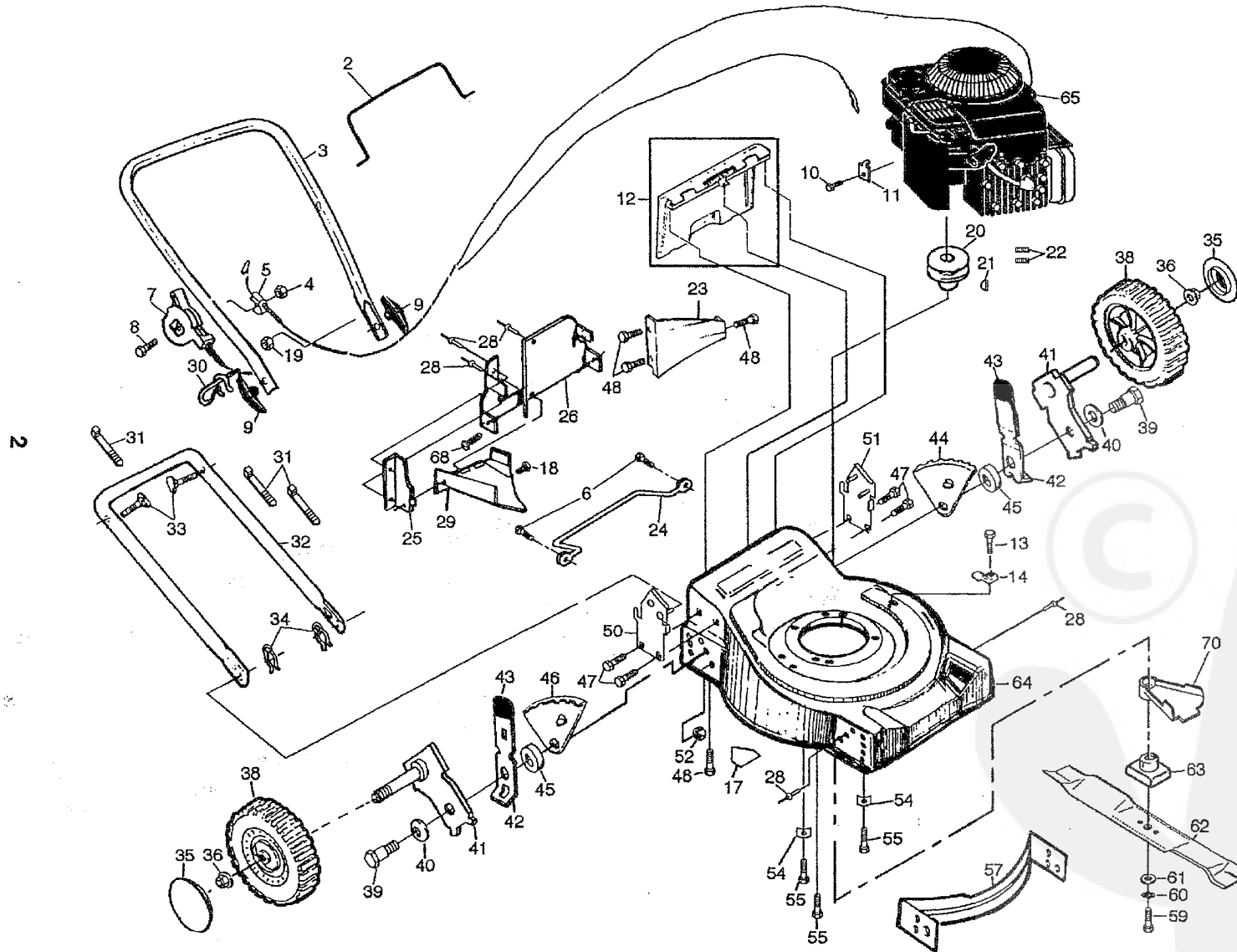


REPAIR PARTS

ROTARY LAWN MOWER -- MODEL NO. RE4H479C



REPAIR PARTS

ROTARY LAWN MOWER -- MODEL NO. RE4H479C

KEY NO.	PART NO.	DESCRIPTION
2	146771	Control Bar
3	149637X479	Upper Handle
4	63601	Locknut
5	130861	Engine Zone Control Cable
6	146694	Screw
7	700417	Throttle Control
8	144929	Hex Washer Head Screw 1/4-20 x 2-1/8
9	136376	Handle Knob
10	83816	Screw #10 x 5/8
11	213146	* Cable Clamp (Engine)
12	147612	Rear Door Kit
13	750097	Hex Washer Head Screw #10-24 x 1/2
14	87930	Housing Cable Guide
17	145494	Danger Decal
18	86344	Screw
19	73510400	Keps Locknut 1/4-20
20	84596	Engine Pulley
21	87677	Hi Pro Key #505
22	59708	Set Screw 1/4-20 x 5/16
23	133040X479	Baffle, Rear
24	146143X479	Foot Guard
25	700365X479	Side Baffle
26	146688X479	Back Plate
28	128415	Pop Rivet
29	133190X479	Discharge Baffle
30	132001	Rope Guide
31	66426	Wire Tie
32	132813X479	Lower Handle
33	131959	Handle Bolt
34	51793	Hairpin Cotter
35	77400	Hubcap
36	83923	Flanged Locknut
38	146247	Wheel & Tire Assembly
39	142748	Shoulder Bolt

KEY NO.	PART NO.	DESCRIPTION
40	62335	Belleville Washer
41	145935X004	Axle Arm
42	700331X004	Selector Spring
43	87877	Selector Knob
44	700326X007	Wheel Adjusting Bracket (L.R.)
45	84920	Spacer
46	700327X007	Wheel Adjusting Bracket (R.R.)
47	55187	Self-tapping Screw 5/16-18 x 3/4
48	54583	Screw
50	700915X479	Handle Bracket (Right)
51	700913X479	Handle Bracket (Left)
52	751592	Locknut 3/8-16
54	851201X004	Engine Washer
55	850998	Hex Head Thread Rolling Screw 3/8-16 x 1
57	702682X479	Front Baffle
59	851084	Hex Head Machine Screw 3/8-24 x 1-3/8 Gr. 8
60	850263	Helical Lock Washer
61	851074	Hardened Washer
62	141114	Blade 22"
63	851514	Blade Adapter
64	149910	Lawn Mower Housing Kit (Includes Key No. 17)
65	-----	* Engine - Briggs & Stratton Model No. 12F802
68	88652	Screw, Hinge
70	134612	Shield, Debris
--	149908	Operator's Manual (Euro)
--	149909	Repair Parts Manual

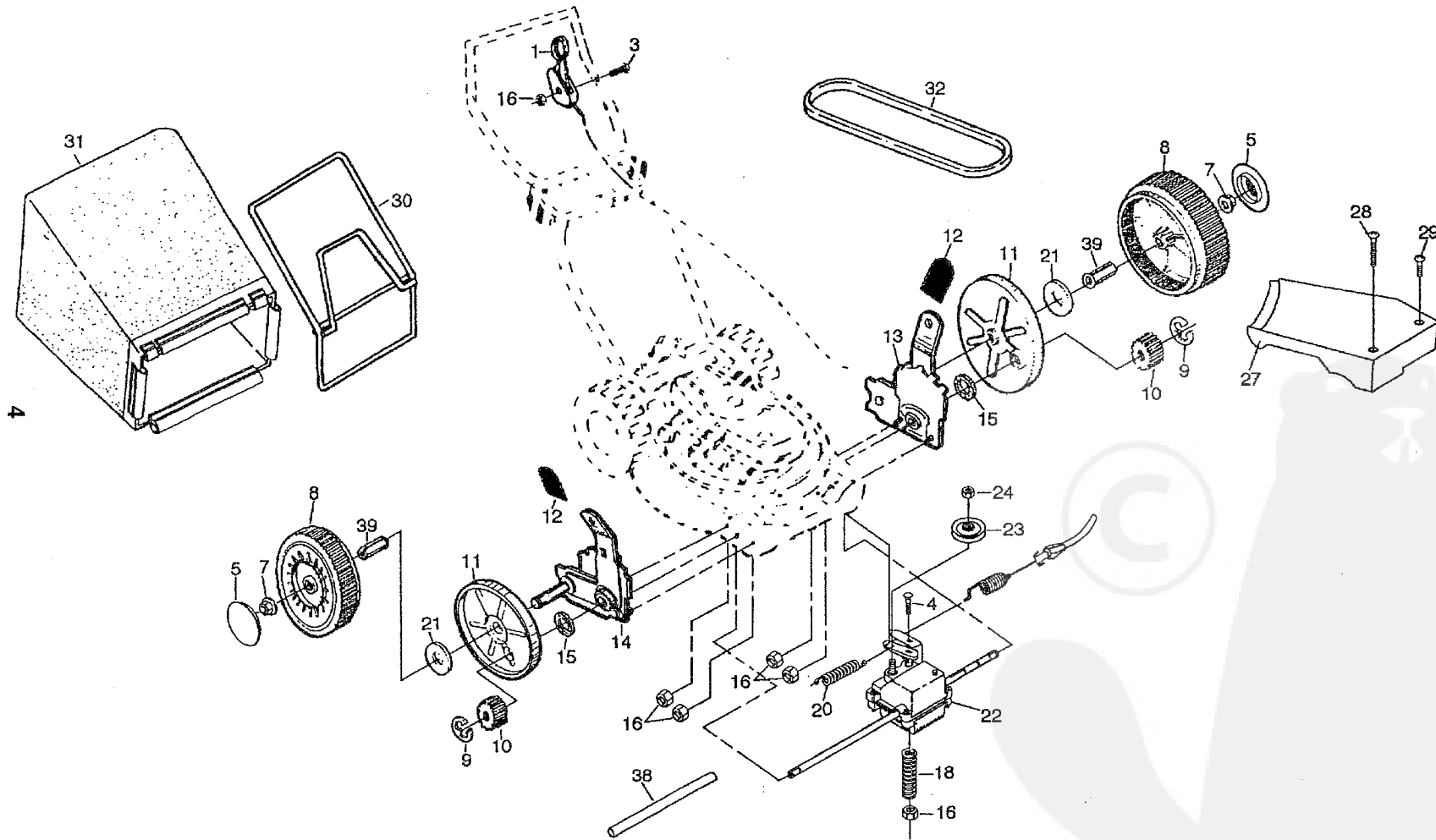
Available accessories not included with lawn mower:

--	MA36	Chute Deflector
--	MK22FRD	Mulcher Kit

* These parts must be purchased through an authorized Briggs & Stratton dealer.

REPAIR PARTS

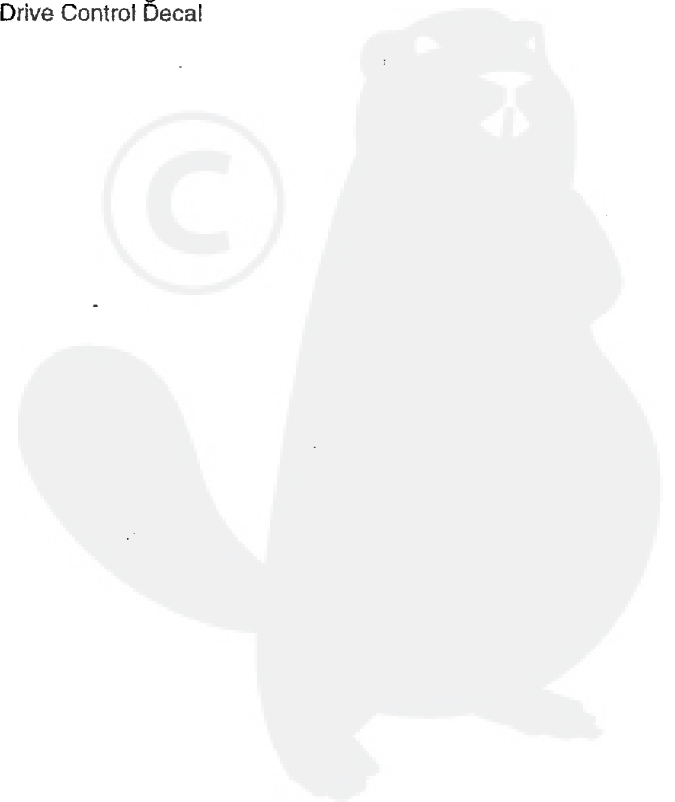
ROTARY LAWN MOWER -- MODEL NO. RE4H479C



REPAIR PARTS

ROTARY LAWN MOWER -- MODEL NO. RE4H479C

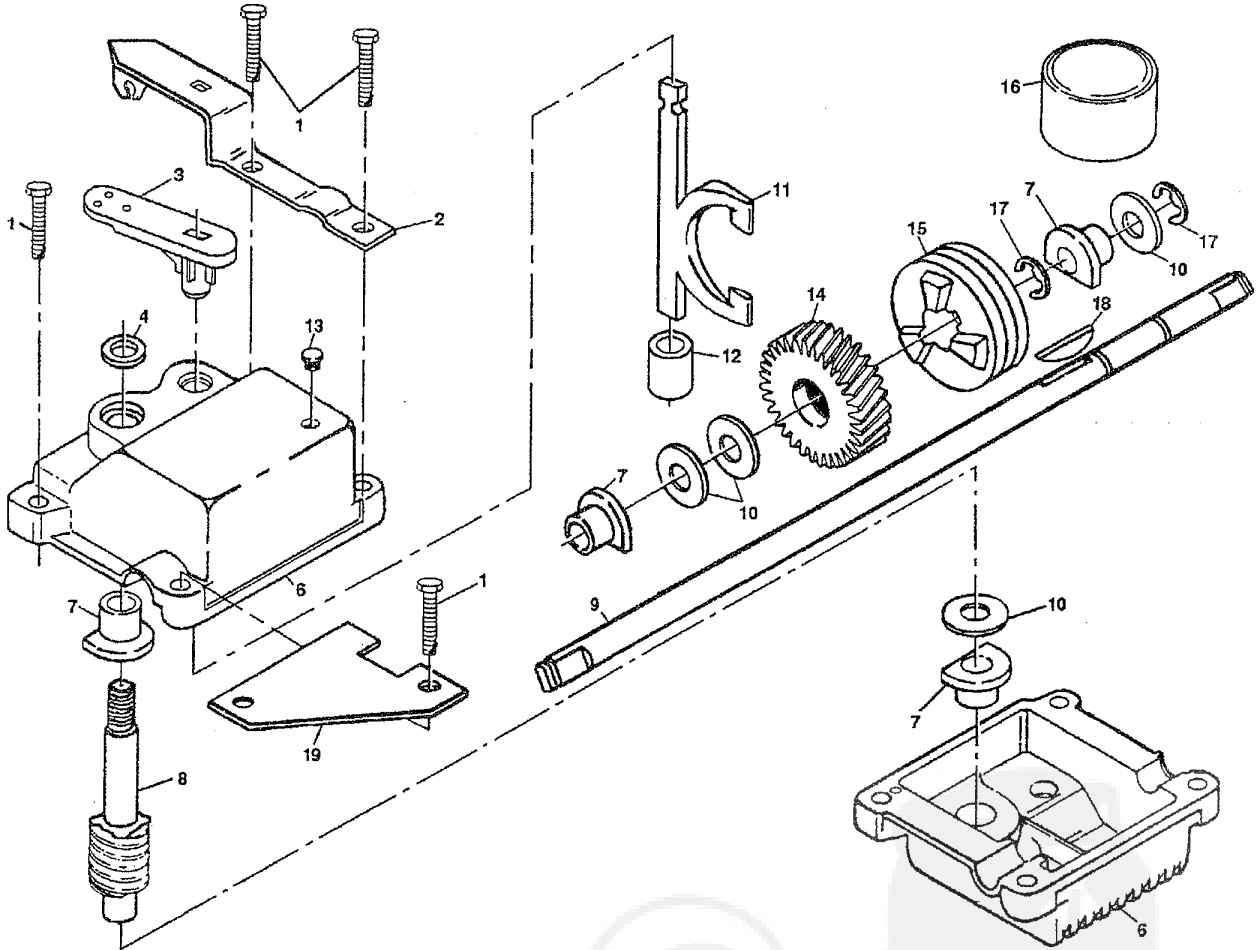
KEY NO.	PART NO.	DESCRIPTION	KEY NO.	PART NO.	DESCRIPTION
1	146323	Drive Control	20	75192	Spring
3	144929	Hex Washer Head Screw 1/4-20 x 2-1/8	21	67725	Washer 1/2 x 1-1/2 x .134
4	700875	Carriage Bolt 1/4-20 x 2	22	702511	Gear Case Assembly
5	77400	Hubcap	23	137052	Drive Pulley
7	145212	Flanged Locknut	24	132010	Locknut
8	700953	Wheel & Tire Assembly	27	137081	Drive Cover
9	12000058	E-ring	28	87866	Pan Head Tapping Screw #10-24 x 2-3/4
10	137054	Pinion	29	136797	Pan Head Tapping Screw #10-24 x 1-3/4
11	88080	Dust Cover	30	149555	Catcher Frame
12	87877	Selector Knob	31	149619	Grass Bag
13	148493	Wheel Adjuster Assembly (Left)	32	137078	V-Belt
14	148492	Wheel Adjuster Assembly (Right)	38	86012	Drive Shaft Cover
15	88118	Felt Washer	39	88446	Wheel Bushing
16	63601	Locknut	--	851812	Drive Control Decal
18	137090	Spring			



REPAIR PARTS

POWER PROPELLED LAWN MOWER - - MODEL NO. RE4H479C

GEAR CASE ASSEMBLY PART NUMBER 702511



KEY NO.	PART NO.	DESCRIPTION
1	17490416	Tapping Screw 1/4-20 x 1-1/4
2	137055X004	Engagement Bracket
3	137053	Shifter
4	57072	Seal
6	48373	Gear Case Halves Kit (Includes Key Nos. 4, 5, and 7)
7	77881	Bearing
8	137051	Worm Shaft
9	137074	Drive Shaft
10	57079	Hardened Washer

KEY NO.	PART NO.	DESCRIPTION
11	131484	Clutch Yoke
12	700343	Bushing
13	86447	Plug
14	137050	Helical Gear
15	750436X	Clutch Jaw
16	750369	Grease
17	12000003	E-Ring
18	850848	Hi-Pro Key
19	81585X004	Spring Bracket

NOTE: All component dimensions given in U.S. inches.
1 inch = 25.4 mm