

MASTER PARTS MANUAL

ROTARY MOWERS

RALLY LAWN TRACTORS

MODELS:

M1118AR
M6187AR
M6517BR
M6538AR

L0239AR
L1219AR
L8218AR
L8218BR
L8218CR

few {
K8327AR
K8327BR
K8327CR

LA049AR
LA058AR
LA068AR

new. Football Exchange.

*Jeune de lames 71285
Courvois traction 75794
" tondeuse 69828*

LAWN AND GARDEN
POWER EQUIPMENT

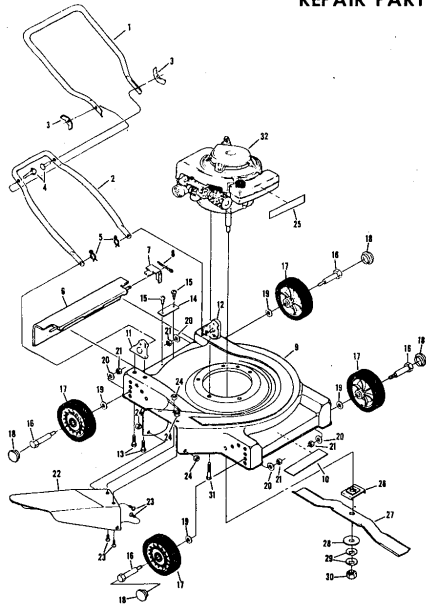
ROPER SALES CORP.

1905 WEST COURT STREET
KANKAKEE, ILLINOIS 60901

PRICE \$2.00
FEBRUARY 1, 1979

ROPER 20" 148 CC 3.5 H.P. ROTARY LAWN MOWER MODEL NUMBER M1118AR

REPAIR PARTS



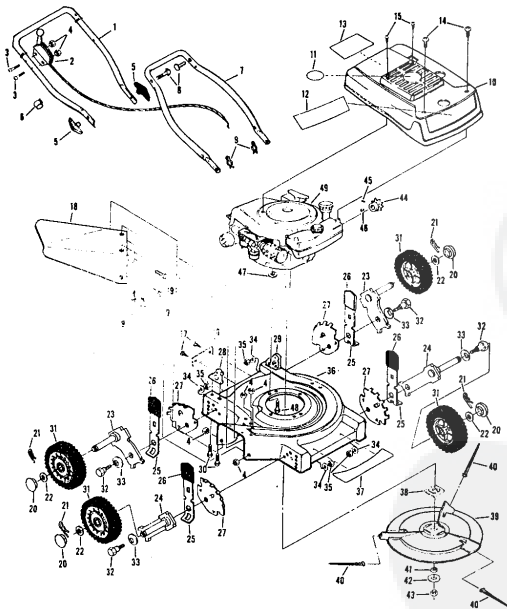
ROPER 20" 148 CC 3.5 H.P. ROTARY LAWN MOWER MODEL NUMBER M1118AR

REPAIR PARTS

Ref. No.	Part No.	Part Name	Ref. No.	Part No.	Part Name
1	64932	Handle - Upper	18	67360	Hub Cap (R.R.-L.R.-R.F.-L.F.)
2	62362	Handle - Lower	19	70080	Washer, Flat Steel .405-.860 X .250 (R.R.-L.R.-R.F.-L.F.)
3	67504	Wing Nut 5/16-18	20	54005	Washer, Flat Steel .405-.860 X .095 (R.R.-L.R.-R.F.-L.F.)
4	58714	Bolt, Handle 5/16-18 X 1 3/4	21	74400	Nut, Lock 3/8-16 (R.R.-L.R.-R.F.-L.F.)
5	51793	Hairpin Cutter - 3/4	22	67731	Discharge Guard
6	72502	Rear Skirt	23	69179	Screw, Machine #10-24 X 1/2
7	72393	Skirt Keeper	24	69100	Nut, Lock #10-24
8	63640	Cutter Pin - 3/4	25	75773	Decal - Fuel Tank
9	79262	Housing W/Silk Screening W/Decal (Incl. Ref. #10)	26	69226	Blade Flange Assembly
10	73221	Decal - Housing	27	69229	Blade
11	62886	Handle Bracket Assembly-Right	28	69385	Washer, Blade
12	62887	Handle Bracket Assembly-Left	29	54867	Washer, Spring (Ballville Type)
13	55187	Screw, Self-Tapping 5/16-18 X 3/4	30	51423	Nut, Nylon 5/8-18
14	75766	Number Plate	31	68205	Screw, Machine Hex Head W/Lock Washer 5/16-18 X 7/8
15	54562	Screw, Self-Tapping #10-24 X 3/8	32	75071	Engine-Model (LAV 25-40945L) (3.5 H.P.) (Tecumseh Products Company)
16	60838	Axle Bolt 3/8-16 (R.R.-L.R.-R.F.-L.F.)			Parts List - Owner's Manual
17	75071	Wheel and Tire Assembly-7" (R.R.-L.R.-R.F.-L.F.)	75768		

ROPER 20" WHIP STIK™ 164CC 4.0 H.P. POWER PROPELLED LAWN MOWER MODEL NUMBER M6187AR

REPAIR PARTS

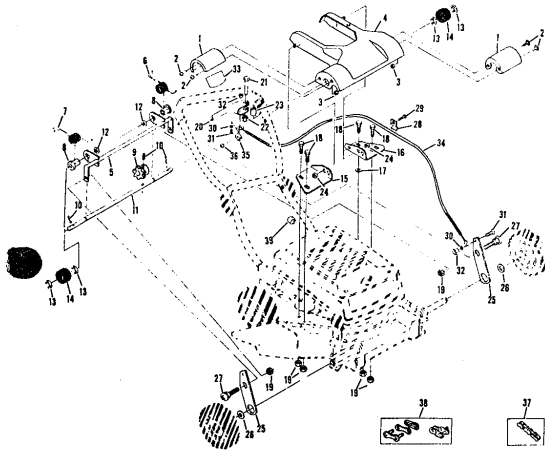


ROPER 20" WHIP STIK™ 164CC 4.0 H.P. POWER PROPELLED LAWN MOWER MODEL NUMBER M6187AR

Ref. No.	Part No.	Part Name	Ref. No.	Part No.	Part Name
1	75193	Handle - Upper	28	62886	Handle Bracket Assembly-Right
2	73445	Remote Control	29	62887	Handle Bracket Assembly-Left
3	69411	Screw, Machine Phillips #10-24 X 1 3/4	30	55187	Screw, Self-Tapping 5/16-18 X 3/4
4	69180	Nut, Lock #10-24	31	72425	Wheel and Tire Assembly-8" (R.R.-L.R.-R.F.-L.F.)
5	58715	Knob - Handle	32	64763	Bolt, Shoulder (Special) 3/8-16 (R.R.-L.R.-R.F.-L.F.)
6	38891	Cable Clip	33	62335	Washer, Belleville .500-1.10 X .082 (R.R.-L.R.-R.F.-L.F.)
7	62362	Handle - Lower	34	62333	Washer, Flat Steel .390-1.437 X .074 (R.R.-L.R.-R.F.-L.F.)
8	58714	Bolt, Handle 5/16-18 X 1 3/4	35	74400	Nut, Lock 3/8-16
9	51793	Hairpin Cutter - 3/4	36	79294	Housing W/Silk Screening W/Decal (Incl. Ref. #37)
10	79285	Engine Shroud Pack (Incl. Ref. #11,12,13)	37	75325	Decal - Housing
11	74779	Decal - Center	38	74654	Flange Assembly
12	73216	Decal - Shroud	39	74199	Pin Holder
13	74656	Decal - Engine Instruction	40	74334	Pin (Three required)
14	73322	Screw, Self-Tapping #8 X 3/4	41	74393	Spacer
15	68246	Screw, Self-Tapping 1/4-20 X 3/4	42	74456	Washer, Belleville .630-1.875 X .129
16	75215	Number Plate	43	51433	Nut, Nylon 5/8-18
17	54562	Screw, Self-Tapping #10-24 X 3/8	44	71851	Spracket 9 Tooth W/2 Set Screw (Incl. Ref. #45)
18	67731	Discharge Guard	45	52828	Set Screw 1/4-28 X 3/16
19	69179	Screw, Machine #10-24 X 1/2	46	52978	Key, Woodruff #5
20	67360	Hub Cap (R.R.-L.R.-R.F.-L.F.)	47	59289	Washer, Flat Steel .328-1 X .097 5/16-18 X 7/8
21	55015	Retainer Clip (R.R.-L.R.-R.F.-L.F.)	48	68205	Screw, Machine Hex Head 5/16-18 X 7/8
22	52160	Washer, Flat Steel .515-1 X .031 (R.R.-L.R.-R.F.-L.F.)	49		Engine-Model (LAV 40-50375SD) (4.0 H.P.) (Tecumseh Products Company)
23	69474	Axle Arm Assembly (R.R.-L.R.-L.F.)			Parts List - Owner's Manual
24	73632	Axle Arm Assembly (R.R.-L.R.-L.F.)			
25	70683	Selector Spring (R.R.-L.R.-R.F.-L.F.)			
26	70685	Selector Knob (R.R.-L.R.-R.F.-L.F.)			
27	69478	Wheel Adjusting Bracket (R.R.-L.R.-R.F.-L.F.)	75218		

ROPER 20" WHIP STIK™ 164CC 4.0 H.P. POWER PROPELLED LAWN MOWER MODEL NUMBER M6187AR

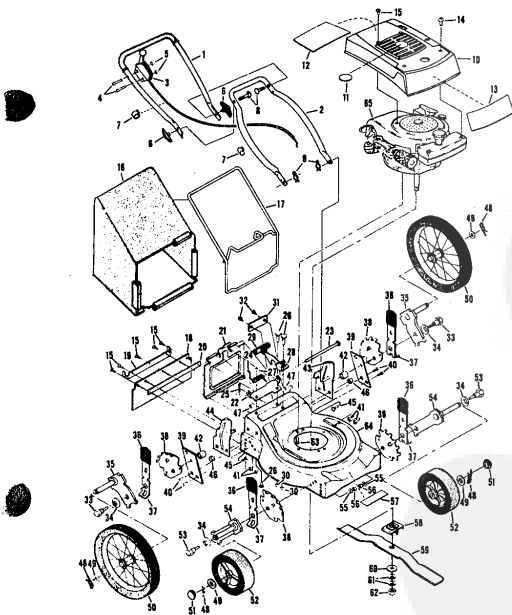
REPAIR PARTS



ROPER 20" WHIP STIK™ 164CC 4.0 H.P. POWER PROPELLED LAWN MOWER MODEL NUMBER M6187AR

Ref. No.	Part No.	Part Name	Ref. No.	Part No.	Part Name
1	73629	Drive Cover	22	72979	Nut, Shoulder (Special) 1/4-28
2	75136	Screw, Machine #10-24 X 1/2	23	73405	Spacer
3	53491	Nut, Lock #10-24	24	52365	E-Ring 3/8 Shaft
4	73787	Chain Cover Assembly	25	74162	Lower Link
5	73626	Yoke Assembly	26	74252	Washer, Flat Steel .531-1.187 X .148
6	73115	Spring - L.H.	27	73916	Bolt, Shoulder (Special) 1/4-20 X 3/4
7	73172	Spring - R.H.	28	73276	Retainer
8	73087	Bearing	29	55187	Screw, Self-Tapping 5/16-18 X 3/4
9	73696	Sprocket - 8 Tooth	30	74190	Spacer
10	52379	Spring Pin 3/16 X 1	31	57155	Screw, Machine #10-24 X 5/8
11	73628	Driven Shaft	32	69180	Nut, Lock #10-24
12	73928	Washer, Flat Steel .628-1.25 X .028	33	73442	Decal - Clutch
13	52364	E-Ring 5/8 Shaft	34	74158	Cable
14	67973	Driver	35	73755	Cable Clamp
15	75113	Pivot - R.H.	36	68662	Screw, Self-Tapping #10 X 7/8
16	75214	Pivot - L.H.	37	74787	Chain #65 (44 Pitch)
17	63128	Washer, Flat Steel .265-3/4 X .082	38	69472	Repair Link Kit (Incl. Offset and Connecting Link)
18	54395	Screw, Hex Head 1/4-20 X 5/8	39	58891	Cable Clip
19	74218	Nut, Lock 1/4-20			
20	74161	Lever			
21	72978	Bolt, Shoulder (Special) 1/4-28 X 1 5/8			

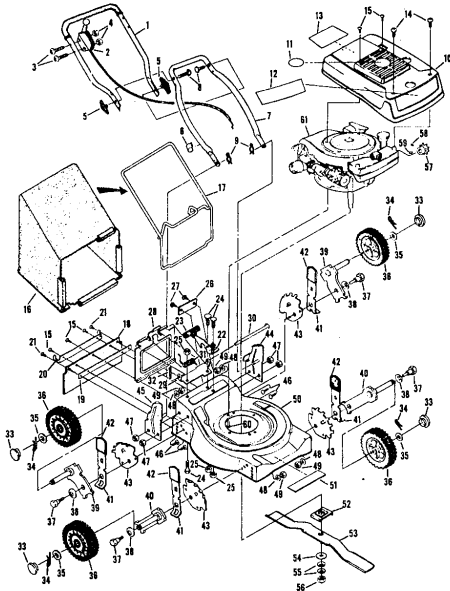
ROPER 20" HIGH WHEEL REAR BAGGER 4.0 H.P. ROTARY LAWN MOWER MODEL NUMBER M6517BR



ROPER 20" HIGH WHEEL REAR BAGGER 4.0 H.P. ROTARY LAWN MOWER MODEL NUMBER M6517BR

Ref. No.	Part No.	Part Name	Ref. No.	Part No.	Part Name
1	74678	Handle - Upper	37	70683	Selector Spring (R.F.-L.F.-R.R.-L.R.)
2	62262	Handle - Lower	38	69478	Wheel Adjusting Bracket (R.F.-L.F.-R.R.-L.R.)
3	73445	Remote Control	40	73403	Bracket Support (R.R.-L.R.)
4	69411	Screw, Machine Phillips #10-24 X 1 1/4	39	73712	Bolt, Hex Head 3/8-16 X 5/8 (R.R.-L.R.)
5	69180	Nut, Lock #10-24	41	51961	Nut, Lock 3/8-16 (R.R.-L.R.)
6	58715	Knob - Handle	42	73713	Spacer (R.R.-L.R.)
7	58891	Cable Clip	43	78992	Handle Bracket - L.H.
8	58714	Bolt, Handle 5/16-18 X 1 3/4	44	78991	Handle Bracket - R.H.
9	51792	Mainpin Cutter - 3/4	45	75156	Bolt, Carriage 5/16-18 X 1/2 (R.R.-L.R.)
10	79261	Engine Shroud Pack (Incl. Ref. #11, 12, 13)	46	74399	Nut, Lock 5/16 X 18
11	74640	Decal - Center	47	68478	Nut, Lock 5/16 X 18 (R.R.-L.R.)
12	74909	Decal - Engine Instruction	48	55015	Retainer Clip (R.R.-L.R.-R.F.-L.F.)
13	74960	Decal - Shroud	49	52160	Washer, Flat Steel .515-1 X .031 (R.R.-L.R.-R.F.-L.F.)
14	73322	Screw, Self-Tapping #8 X 3/4	50	73422	Wheel and Tire Assembly 14.00 X 1.75 (R.R.-L.R.)
15	68346	Screw, Self-Tapping 1/4-20 X 3/4	51	67360	Hub Cap
16	75362	Catcher Bag	52	75073	Wheel and Tire Assembly 8.00 X 1.75 (R.F.-L.F.)
17	72870	Catcher Frame	53	64763	Bolt, Shoulder 3/8-16 (Special) (R.F.-L.F.)
18	73874	Rear Skin	54	69474	Axle Arm Assembly (R.F.-L.F.)
19	73176	Catcher Support	55	62333	Washer, Flat Steel .300-.437 X .074 (R.F.-L.F.)
20	73061	Backing Strip	56	65543	Nut, Lock 3/8-16 (R.F.-L.F.)
21	72869	Rear Door	57	73221	Decal - Housing
22	72125	Hinge Bracket	58	69226	Blade Flange Assembly
23	73326	Hinge Rod	59	69229	Blade
24	72962	Spring	60	69385	Washer, Blade
25	65640	Cotter Pin - 5/64	61	54657	Washer, Spring (Bellville Type)
26	73383	Bolt, Carriage 1/4-20 X 5/8 (Special) (R.R.-L.R.)	62	51433	Nut, Nylok 5-18
27	65601	Nut, Lock 1/4-20	63	68205	Screw, Machine Hex Head W Lock Washer 5/16-18 X 7/8
28	72881	Catcher Latch (Incl. Ref. #29)	64	79258	Housing W/316 (With Decal) (Incl. Ref. #2)
29	68618	Knob	65		Engine-Model (LAV 40-50374D) (Tecumseh Products Co.) 4.0 H.P.
30	74218	Nut, Lock 1/4-20	75616		Parts List-Owner's Manual
31	75614	Number Plate			
32	54562	Screw, Self-Tapping #10-24 X 3/8			
33	73714	Bolt, Shoulder 5/16-18 (Special) (R.R.-L.R.)			
34	62335	Washer, Bellville .505-1.10 X .082 (R.R.-L.R.-R.F.-L.F.)			
35	73420	Axle Arm Assembly (R.R.-L.R.)			
36	70685	Knob-Selector (R.F.-L.F.-R.R.-L.R.)			

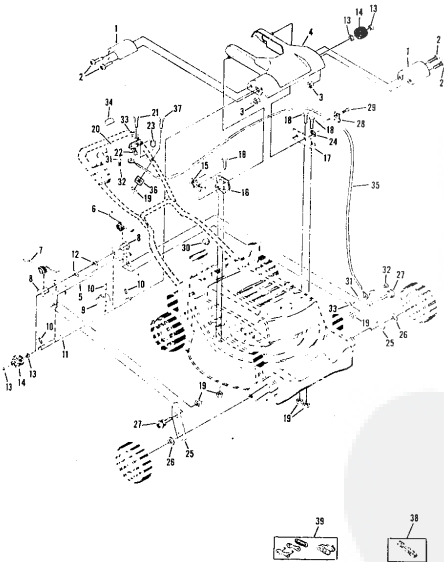
ROPER 20" REAR BAGGER 164CC 4.0 H.P. POWER-PROPELLED
LAWN MOWER MODEL NUMBER M6538AR **REPAIR PARTS**



ROPER 20" REAR BAGGER 164CC 4.0 H.P. POWER-PROPELLED **REPAIR PARTS**
LAWN MOWER MODEL NUMBER M6538AR

Ref. No.	Part No.	Part Name	Ref. No.	Part No.	Part Name
1	76468	Handle - Upper	36	72425	Wheel and Tire Assembly-8" (R.R.-L.R.-R.F.-L.F.)
2	73445	Remote Control	37	64763	Bolt, Shoulder (Special) 3/8-16 (R.R.-L.R.-R.F.-L.F.)
3	69411	Screw, Machine Phillips #10-24 X 1 3/4	38	62335	Washer, Belleville .505-1.10 X .062 (R.R.-L.R.-R.F.-L.F.)
4	69180	Nut, Lock #10-24	39	69474	Axle Arm Assembly (R.F.-L.R.)
5	52715	Knob - Handle	40	73632	Axle Arm Assembly (R.R.-L.R.-L.F.)
6	58891	Cable Clip	41	70683	Selector Spring (R.R.-L.R.-R.F.-L.F.)
7	62362	Handle - Lower	42	70685	Selector Knob (R.R.-L.R.-R.F.-L.F.)
8	52714	Bolt, Handle 5/16-18 X 1 3/4	43	69478	Wheel Adjusting Bracket (R.R.-L.R.-R.F.-L.F.)
9	51793	Mainpin Cutter - 3/4	44	78992	Handle Bracket Assembly-Left
10	79261	Engine Shroud Pack (Incl. Ref. #11,12,13)	45	78991	Handle Bracket Assembly-Right
11	74640	Decal - Center	46	75156	Bolt, Carriage 5/16-18 X 1/2 (R.R.-L.R.)
12	74960	Decal - Shroud	47	74399	Nut, Lock 5/16-18 (R.R.-L.R.)
13	74959	Decal - Engine Instruction	48	62333	Washer, Flat Steel .390-1.457 X .074 (R.R.-L.R.-R.F.-L.F.)
14	73322	Screw, Self-Tapping #8 X 3/4	49	74400	Nut, Lock 3/8-16 (R.R.-L.R.-R.F.-L.F.)
15	68546	Screw, Self-Tapping 1/4-20 X 3/4	50	79269	Housing W/Silk Screening W/Decal (Incl. Ref. #51)
16	75363	Catcher Bag	51	73221	Decal - Housing
17	72870	Catcher Frame	52	69226	Blade Flange Assembly
18	72883	Rear Skirt	53	69229	Blade
19	72061	Backing Strip	54	69285	Washer, Blade
20	73176	Catcher Support	55	54867	Washer, Spring (Belleville Type)
21	73845	Screw, Self-Tapping 1/4-20 X 1/2	56	51633	Nut, Nylok 5/8-16
22	72881	Catcher Latch (Incl. Ref. #23)	57	71851	Sprocket 9 Tooth W/2 Set Screw (Incl. Ref. #58)
23	68618	Knob	58	52826	Set Screw 1/4-28 X 3/16
24	73383	Bolt, Carriage 1/4-20 X 5/8	59	52978	Key, Woodruff #5
25	74218	Nut, Lock 1/4-20	60	68205	Screw, Machine Hex Head 5/16-18 X 7/8
26	75788	Number Plate	61		Engine-Model (LAV 40-50375D) (Tecumseh Products Company) (4.0 H.P.)
27	54562	Screw, Self-Tapping #10-24 X 3/8		75790	Parts List - Owner's Manual
28	72869	Rear Deck			
29	73215	Hinge Bracket			
30	73326	Hinge Rod			
31	72962	Spring			
32	68640	Cutter Pin - 3/4			
33	67360	Hub Cap (R.R.-L.R.-R.F.-L.F.)			
34	55015	Retainer Clip (R.R.-L.R.-R.F.-L.F.)			
35	52160	Washer, Flat Steel .515-1 X .031 (R.R.-L.R.-R.F.-L.F.)			

ROPER 20" REAR BAGGER 164CC 4.0 H.P. POWER-PROPELLED **REPAIR PARTS**
LAWN MOWER MODEL NUMBER M6538AR

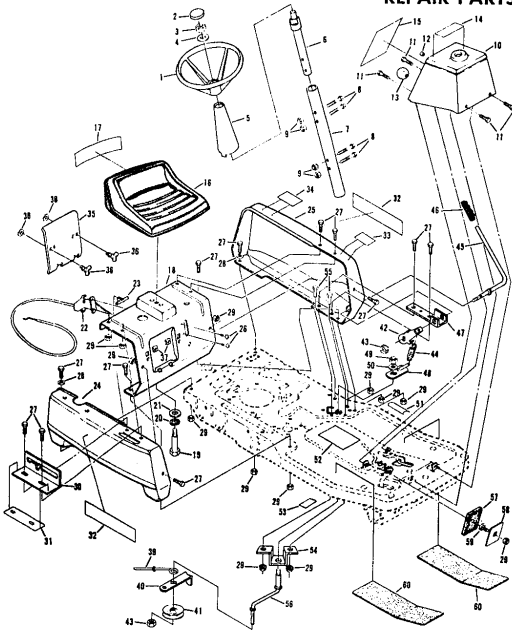


ROPER 20" REAR BAGGER 164CC 4.0 H.P. POWER-PROPELLED **REPAIR PARTS**
LAWN MOWER MODEL NUMBER M6538AR

Ref. No.	Part No.	Part Name	Ref. No.	Part No.	Part Name
1	73629	Drive Cover	22	72979	Nut, Shoulder (Special) 1/4-28
2	75136	Screw, Machine #10-24 X 1/2	23	73405	Spacer
3	53491	Nut, Lock #10-24	24	52365	E-Ring 3/8 Shaft
4	76335	Chain Cover Assembly	25	74162	Lower Link
5	73626	Yoke Assembly	26	74232	Washer, Flat Steel .531-1.187 X .148
6	73115	Spring - L.H.	27	73916	Bolt, Shoulder (Special) 1/4-20
7	73172	Spring - R.H.	28	73276	Retainer
8	73087	Bearing	29	55187	Screw, Self-Tapping 5/16-18 X 3/4
9	72696	Sprocket - 8 Teeth	30	58891	Cable Clip
10	52379	Spring Pin - 3/16 X 1	31	74190	Spacer
11	73628	Driven Shaft	32	57155	Screw, Machine 10-24 X 5/8
12	73928	Washer, Flat Steel .828 - 1.25 X .028	33	69180	Nut, Lock 10-24
13	52364	E-Ring 5/8 Shaft	34	73442	Decal - Clutch
14	67973	Driver	35	76406	Cable
15	75043	Pivot Adjusting Bracket	36	76370	Cable Clamp
16	74617	Pivot - R.H.	37	65131	Screw, Machine 1/4-20 X 1 1/2
17	74618	Pivot - L.H.	38	74787	Chain .65 (44 Pitches)
18	54395	Screw, Hex Head 1/4-20 X 5/8	39	60472	Repair Link Kit (Incl. Offset and Connecting Link)
19	74216	Nut, Lock 1/4-20			
20	74161	Lever			
21	72978	Bolt, Shoulder (Special) 1/4-28 X 1 5/8			

ROPER 32" REAR ENGINE RIDING LAWN MOWER ELECTRIC START 8.0 H.P. MODEL NUMBER K8327AR

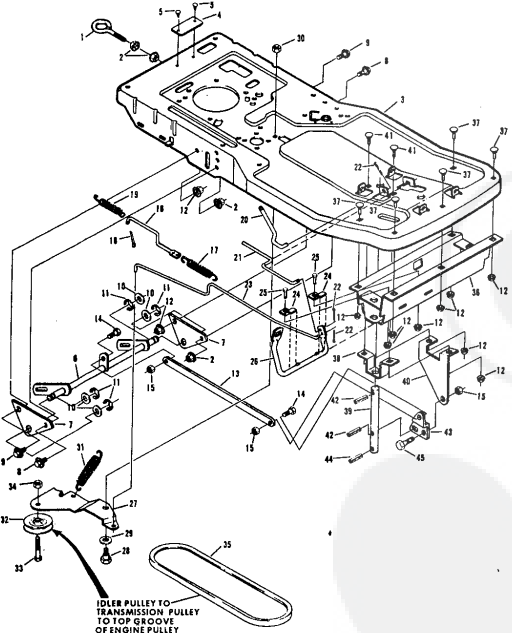
REPAIR PARTS



ROPER 32" REAR ENGINE RIDING LAWN MOWER ELECTRIC START 8.0 H.P. MODEL NUMBER K8327AR

Ref. No.	Part No.	Part Name	Ref. No.	Part No.	Part Name
1	74544	Steering Wheel	29	54922	Nut, Keps 5/16-18
2	74572	Inset Cap	30	74531	Shifter Gate
3	50830	Nut, Lock 1/2-20	31	74560	Decal - Shift
4	53632	Washer, Flat Steel .531-1 X .063	32	74601	Decal-Side Panel (L.H.-R.H.)
5	72705	Steering Shaft Cover	33	74561	Decal-Brake Control
6	74565	Steering Shaft - Upper	34	74512	Decal-Engine Area
7	74582	Steering Shaft Extension	35	72926	Battery Holder
8	69902	Bolt, Hex Head 1/4-20 X 1 1/4	36	73319	Wing Head Stud
9	63601	Nut, Lock 1/4-20	37	73320	Receptacle
10	74523	Console Assembly	38	73321	Split Ring
11	71263	Screw, Thread Cutting 5/16-18 X 1/2	39	72907	Blade Brake Rod
12	71673	Flanger Cap	40	74544	Bolt Keeper
13	55862	Knob	41	53018	Idler Pulley
14	75122	Decal-Operating Instructions	42	74613	Spring Arm
15	74558	Decal-Instruction	43	51961	Nut, Lock 3/8-16
16	74563	Seat Assembly	44	75045	Spring
17	75070	Decal - Seat	45	74538	Blade Clutch Lever
18	74563	Front Panel	46	71246	Grip
19	72639	Bolt, Shoulder (Special) 1/2-13	47	74539	Handle Bracket
20	18810	Washer, Lock - 1/2"	48	75339	Control Arm Assembly
21	53034	Washer, Flat Steel .531-1.187 X .127	49	62336	Nut, Lock 3/8-16
22	74537	Remote Control Assembly (Incl. Ref. 123)	50	67510	Washer, Flat Steel .390-5/8 X .090
23	61159	Knob - Remote Control	51	74559	Decal-Enter and Exit
24	74534	Side Panel - R.H.	52	74557	Decal-Brake Instruction
25	74532	Side Panel - L.H.	53	68306	Decal-Clutch and Brake
26	68346	Screw, Self-Topping 1/4-20 X 3/4	54	74542	Idler Support Bracket
27	71949	Screw, Machine Hex Head 5/16-18 X 3/4	55	51630	Bolt, Carriage 5/16-18 X 3/4
28	52915	Washer, Flat Steel .328-1.125 X .063	56	74543	Idler Arm
			57	67665	Foot Pad
			58	67189	Foot Pedal Plate
			59	67613	Bolt, Carriage 5/16-18 X 3/4
			60	72384	Floor Board Pad

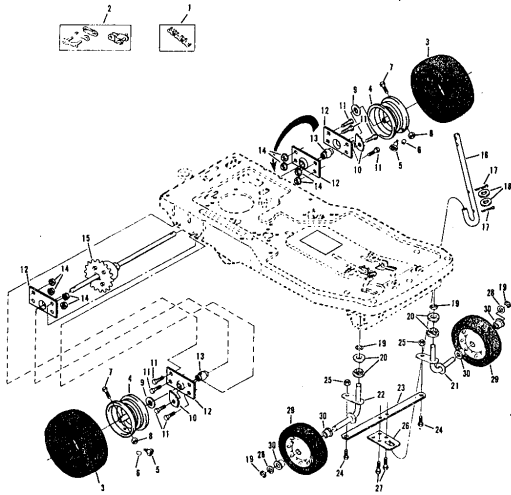
ROPER 32" REAR ENGINE RIDING LAWN MOWER ELECTRIC START 8.0 H.P. MODEL NUMBER K8327AR



ROPER 32" REAR ENGINE RIDING LAWN MOWER ELECTRIC START 8.0 H.P. MODEL NUMBER K8327AR

Ref. No.	Part No.	Part Name	Ref. No.	Part No.	Part Name
1	70530	Tow Hitch - Eyebolt	24	72360	Foot Pedal Clamp
2	55615	Nut, Keps 3/8-16	25	54262	Screw, Machine Hex W/Washer 5/16-18 X 5/8
3	74514	Chassis Assembly	26	72387	Foot Pedal
4	74524	Number Plate	27	67174	Motion Idler
5	61000	Plastic Rivet	28	58855	Bolt, Shoulder (Special) 5/16-24
6	75264	Lever Arm Assembly	29	67725	Washer, Flat Steel .531-1 X .134
7	75265	Side Bracket	30	54928	Nut, Lock 5/16-24
8	55912	Screw, Hex Head 3/8-16 X 3/4	31	73275	Spring - Idler
9	51630	Screw, Hex Head 5/16-18 X 3/4	32	58018	Pulley - Idler
10	53748	Washer, Flat Steel .640-1 X .063	33	55918	Screw, Hex Head 3/8-16 X 1 1/2
11	52364	E-Ring 5/8 Shaft	34	51961	Nut, Hex Lock 3/8-16
12	54922	Nut, Keps 5/16-18	35	67346	V-Belt
13	74545	Parallel Bar	36	72357	Front Member Assembly
14	67394	Bolt, Shoulder 5/16-18 X 3/4	37	72375	Lifter Bracket
15	63124	Nut, Lock 5/16-18	38	74516	Ballcrank Bracket
16	72386	Brake Rod - Rear	39	63079	Bolt, Carriage 5/16-18 X 1
17	64284	Spring	40	74572	Drive Lock Pin Type B
18	2947	Cotter Pin - 3/4	41	74522	Ballcrank
19	62355	Spring	42	73446	Drive Lock Pin Type P
20	74527	Lifter Handle	43	68475	Bolt, Shoulder 5/16-18 X 3/4
21	72361	Parking Brake Rod			
22	63640	Cotter Pin - 3/4			
23	72393	Motion Clutch and Brake Rod			

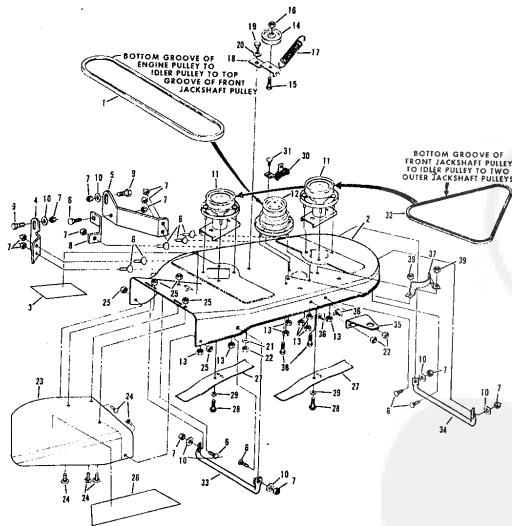
ROPER 32" REAR ENGINE RIDING LAWN MOWER ELECTRIC START 8.0 H.P. MODEL NUMBER K8327AR



ROPER 32" REAR ENGINE RIDING LAWN MOWER ELECTRIC START 8.0 H.P. MODEL NUMBER K8327AR

Ref. No.	Part No.	Part Name	Ref. No.	Part No.	Part Name
1	72818	Chain - 41 (82 Pitch)	17	2655	Cutter Pin - 1/8
2	60474	Repair Link Kit (Incl. Offset and Connecting Link)	18	57911	Washer, Flat Steel .640-1.250 X .063
3	70302	Tire - 13/8.00 X 4 (R.R.-L.R.)	19	53264	E-Ring 5/8 Shaft
4	70301	Rim (R.R.-L.R.)	20	71208	Bushing
5	65139	Valve Stem (R.R.-L.R.)	21	72401	Kingpin - L.H.
6	59192	Valve Cup (R.R.-L.R.)	22	72400	Kingpin - R.H.
7	67349	Bolt, Hex Head 5/16-18 X 1 5/8 (R.R.-L.R.)	23	73358	Tie Bar
8	67818	Nut, Lock 5/16-18 (R.R.-L.R.)	24	55855	Bolt, Shoulder (Special) 5/16-24 (R.F.-L.F.)
9	52966	Washer, Flat Steel .765-1.250 X .060 (R.R.-L.R.)	25	68990	Nut, Lock 5/16-24 (R.F.-L.F.)
10	67703	Chain Adjuster	26	72359	Steering Plate
11	51447	Screw, Hex Head 5/16-18 X 7/8 (R.R.-L.R.)	27	71063	Screw, Hex Head Thread Cutting 5/16-18 X 1/2
12	72382	Bearing Cup (R.R.-L.R.)	28	53848	Washer, Flat Steel .630-1 X .031
13	62346	Bearing (R.R.-L.R.)	29	67350	Wheel and Tire Assembly 10.50 X 3.50 (R.F.-L.F.) (Incl. Ref. #30)
14	54522	Nut, Keps 5/8-18 (R.R.-L.R.)			
15	73523	Differential Assembly (See Page 28)			
16	72547	Steering Shaft	30	64906	Bearing (R.F.-L.F.)

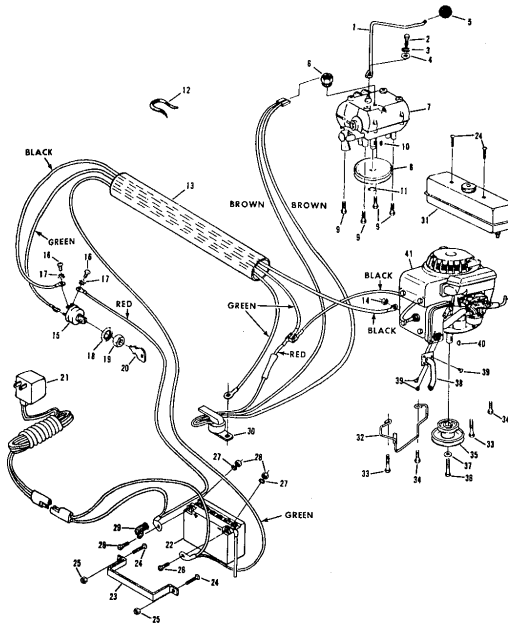
ROPER 32" REAR ENGINE RIDING LAWN MOWER ELECTRIC START 8.0 H.P. MODEL NUMBER K8327AR



ROPER 32" REAR ENGINE RIDING LAWN MOWER ELECTRIC START 8.0 H.P. MODEL NUMBER K8327AR

Ref. No.	Part No.	Part Name	Ref. No.	Part No.	Part Name
1	74212	V-Belt	20	67356	Washer, Flat Steel .630-1 X .050
2	79296	Housing W/Slit Screwing W/Decal (Incl. Ref. #3)	21	55611	Washer, Flat Steel .405-.860 X .172
3	75382	Decal - Housing	22	62336	Nut, Lock 3/8-16
4	74551	Housing Lifter - R.H.	23	71596	Discharge Guard
5	74552	Housing Lifter - L.H.	24	73383	Bolt, Carriage 1/4-20 X 5/8
6	59476	Bolt, Carriage 5/16-18 X 3/4	25	65001	Nut, Lock 1/4-20
7	63124	Nut, Lock 5/16-18	26	75085	Decal - Discharge Guard
8	74553	Strip	27	67405	Blade
9	58909	Bolt, Shoulder (Special) 5/16-18	28	67676	Screw, Machine Hex Head 3/8-24 X 7/8
10	50806	Washer, Flat Steel .328-.750 X .063	29	67354	Washer, Flat Steel .390-2.38 X .156
11	69542	Jackshaft Assembly - Driven	30	68107	Brake Assembly
12	69542	Jackshaft Assembly - Driver	31	73609	Bolt, Hex Head 3/8-16 X 5/8
13	55615	Nut, Keps 3/8-16	32	67398	V-Belt
14	67400	Idler Pulley	33	74548	Skid - R.H.
15	55918	Screw, Hex Head W/Lock Washer 3/8-16 X 1 1/2	34	74549	Skid - L.H.
16	51961	Nut, Lock 3/8-16	35	74550	Mower Support
17	67401	Spring	36	61306	Bolt, Carriage 3/8-16 X 3/4
18	67399	Idler Arm	37	67404	Bolt Knob
19	62361	Bolt, Shoulder (Special) 3/8-16	38	54982	Screw, Hex Head 5/16-18 X 3/4
			39	54922	Nut, Keps 5/16-18

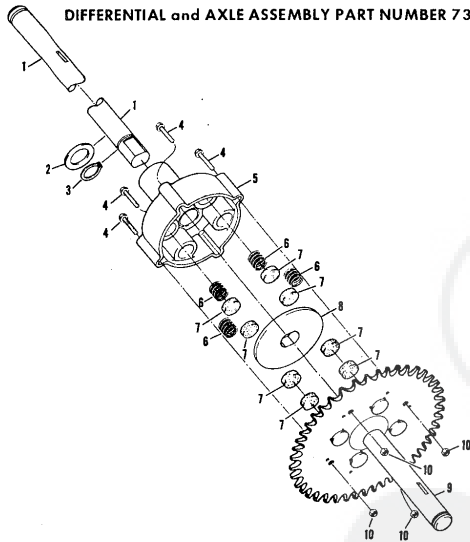
ROPER 32" REAR ENGINE RIDING LAWN MOWER ELECTRIC START 8.0 H.P. MODEL NUMBER K8327AR



ROPER 32" REAR ENGINE RIDING LAWN MOWER ELECTRIC START 8.0 H.P. MODEL NUMBER K8327AR

Ref. No.	Part No.	Part Name	Ref. No.	Part No.	Part Name
1	75266	Shift Lever	24	58609	Screw, Machine 1/4-20 X 5/8
2	75246	Bolt, Hex Head 1/4-28 X 1/2	25	63601	Nut, Lock 1/4-20
3	5081	Washer, Lock 1/4	26		Screw, Hex Head 1/4-20
4	53847	Washer, Flat Steel .265-.750 X .063	27		(Furnished With Battery Pack)
5	55862	Knob	28		Washer, Lock 1/4-20
6	74525	Switch - Transmission	29		(Furnished With Battery Pack)
7	794212	Knob	29	64422	Terminal Block
		Transmission Assembly Model 145-719 (See Pages 30 and 31)	30	74530	Switch - Relay Module
8	73541	Pulley - Transmission	31	74099	Fuel Tank
9	54262	Screw, Machine Hex Head 5/16-18 X 7/8	32	72392	Belt Keeper
10	58349	Key, Woodruff #9	33	74996	Screw, Thread Form 5/16-18 X 1
11	65302	Retainer Ring 5/8 Shaft	34	55187	Screw, Hex Head Topping 5/16-18 X 3/4
12	43174	Wire Tie	35	72388	Engine Pulley
13	74535	Wire Harness	36	68274	Screw, Machine 3/8-24 X 1 3/8
14	53490	Nut, Lock 1/4-20	37	62735	Washer, Flat Steel .375-1.250 X .201
15	72841	Ignition Switch (Incl. Ref. #16, 17, 18, 19, 20)	38	75063	Exhaust Tube
16	67756	Screw, #10-32 X .31	39	36462	Screw, #8 Type AB X 3/8
17	67757	Washer, Lock Internal Tooth #10	40	32859	Key, Woodruff #61
18	67758	Washer, Lock Internal Tooth 5/8	41		Engine Model-WM80-15010SD (Cummins Products Company) (8.0 H.P.)
19	67759	Nut, Hex 5/8-32		74569	Parts List - Owner's Manual
20	67760	Key Set (Pair)			
21	70452	Battery Charger			
22	70451	Battery Pack			
23	72706	Battery Strap			

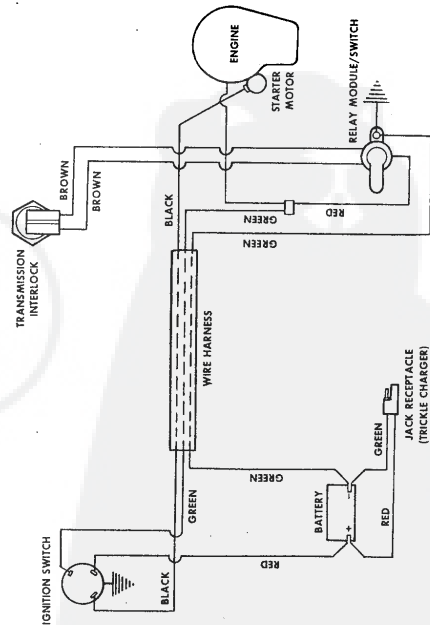
ROPER 32" REAR ENGINE RIDING LAWN MOWER ELECTRIC START 8.0 H.P. MODEL NUMBER K8327AR
DIFFERENTIAL and AXLE ASSEMBLY PART NUMBER 73523



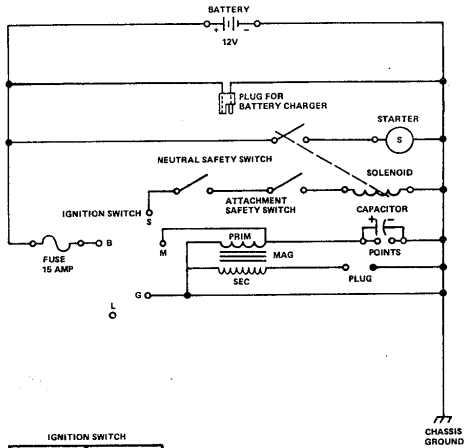
Ref. No.	Part No.	Part Name	Ref. No.	Part No.	Part Name
1	79099	Slip Axle	5	79022	Housing W/Bearings
2	78982	Washer, Thrust .751-1.250 X .0478	6	78979	Spring
3	35586	Retaining Ring	7	78978	Friction Block
4	79017	Screw, Machine Torx Head 5/16-24 - 2	8	78976	Drive Disc
			9	79100	Fixed Axle Assembly
			10	79018	Nut, Lock 5/16-24

WIRING DIAGRAM

ROPER 32" REAR ENGINE RIDING LAWN MOWER ELECTRIC START 8.0 H.P. MODEL NUMBER K8327AR



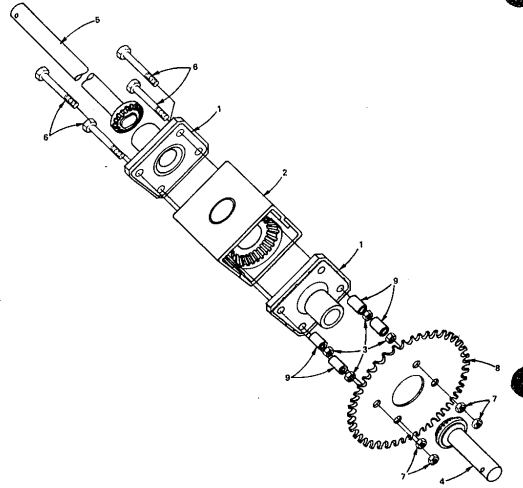
32" REAR ENGINE RIDING LAWN MOWER-MODEL NUMBER K8327BR
SCHEMATIC DIAGRAM



IGNITION SWITCH	
POSITION	CIRCUIT
OFF	M-G
ON	B-L
START	B-S

REPAIR PARTS

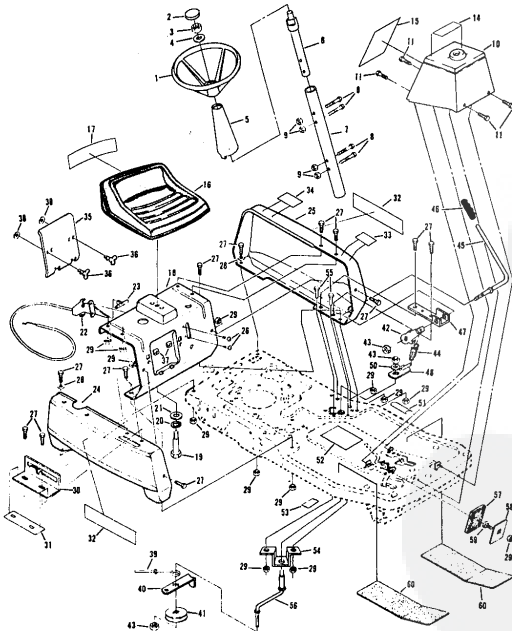
32" REAR ENGINE RIDING LAWN MOWER-MODEL NUMBER K8327BR
DIFFERENTIAL ASSEMBLY PART NUMBER 2112J



KEY NO.	PART NO.	DESCRIPTION
1	2308J	End Cap - Bearing Assembly
2	2305J	Transfer Gear Case Assembly
3	504P	Hex Nut - 5/16 - 18 UNC
4	2310J	Gear Shaft Assembly - Right
5	2311J	Gear Shaft Assembly - Left
6	338P	Hex Bolt (Plated) 5/16 - 18 x 4 - 1/2
7	575P	Locknut - Gripco 5/16 - 18 UNC (Plated)
8	2312J	Sprocket
9	2313J	Sprocket

REPAIR PARTS

32" REAR ENGINE RIDING LAWN MOWER-MODEL NUMBER K8327BR
STEERING AND ENCLOSURE GROUP



REPAIR PARTS

32" REAR ENGINE RIDING LAWN MOWER-MODEL NUMBER K8327BR
STEERING AND ENCLOSURE GROUP

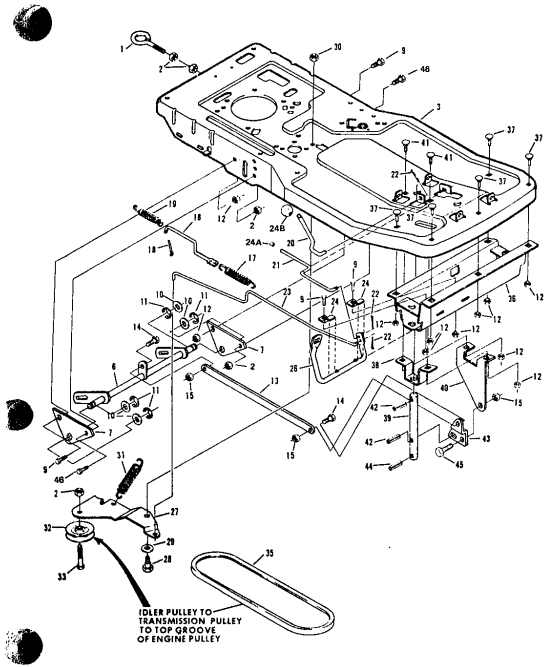
KEY NO.	PART NO.	DESCRIPTION	KEY NO.	PART NO.	DESCRIPTION
1	7456A	Steering Wheel	30	74531	Shifter Gate
2	1114J	Insert Cap	31	74560	Decal - Shift
3	588P	*Jam Nut 1/2 - 20 UNF	32	74601	Decal - Roper
4	1545P	Washer 17/32 x 1 x 16 Ga.	33	74501	Decal - Blade Control
5	72705	Steering Shaft Cover	34	74512	Decal - Engine Area
6	74505	Steering Shaft - Upper	35	72926	Battery Holder
7	74682	Steering Shaft Extension	36	73319	Wing Head Stud
8	3255P	*Bolt, Hex 1/4 - 20 x 1 - 1/4 G. 5	37	73220	Rescote
9	588P	Locknut with Washer Insert 1/4 - 20 UNC	38	73321	Split Ring
10	74523	Console Assembly	39	72987	Blade Brake Rod
11	3383P	Screw, Hex Thread Rolling 5/16 - 18 x 1/2	40	74544	Bolt Keeper
14	75122	Decal - Operating Instructions	41	53018	Inlet Pulley
15	74558	Decal - Instruction	42	74513	Spring Arm
16	1498J	Seat	43	545P	*Locknut - Gripco 3.8 - 16 UNC
17	75070	Decal - Seat	44	75045	Spring
18	74563	Front Panel	45	74538	Blade Clutch Lever
19	72639	Bolt, Shoulder 1/2 - 13 UNC	46	71246	Grip
20	1002P	*Lockwasher 1/2	47	74539	Handle Bracket
21	1625P	Washer 17/32 x 1 - 3/16 x 12 Ga.	48	75330	Control Arm Assembly
22	1544J	Throttle Control (See Key No. 23)	50	1638P	Washer 13/32 x 7/8 x 6 Ga.
23	61159	Knob - Remote Control	51	74559	Decal - Enter and Exit
24	74534	Side Panel - R.H.	52	74557	Decal - Brake Instruction
25	74532	Side Panel - L.H.	53	376J	Decal - Clutch and Brake
26	5547P	*Screw, Phillips Thru Hd. Thread Cut 1/4 - 20 x 3/4	54	74542	Inlet Support Bracket
27	3386P	Screw, Hex Washer Hd. Machine 5/16 - 18 x 3/4	55	3010P	*Bolt, Hex 5/16 - 18 x 3/4
28	1625P	Washer 17/32 x 1 - 1/8 x 16 Ga.	56	74543	Inlet Arm
29	575P	*Locknut - Gripco 5/16 - 18 UNC	57	67265	Foot Pad
			58	67189	Foot Pedal Plate
			59	67613	Bolt, Carriage 5/16 - 18 x 3/4 Special
			60	72384	Floor Board Pad
			...	2086J	Fact and Warranty Tag
			...	2016I	Owner's Manual

*STANDARD HARDWARE - PURCHASE LOCALLY

REPAIR PARTS

32" REAR ENGINE RIDING LAWN MOWER-MODEL NUMBER K8327BR

CHASSIS



REPAIR PARTS

32" REAR ENGINE RIDING LAWN MOWER-MODEL NUMBER K8327BR

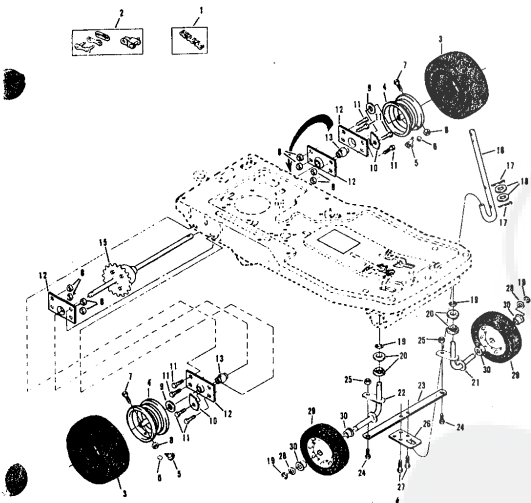
CHASSIS

KEY NO.	PART NO.	DESCRIPTION	KEY NO.	PART NO.	DESCRIPTION
1	70530	Tow Hitch - Eyebolt	26	72387	Foot P.d.t
2	545P	*Locknut, Gripco 3/8 - 16 UNC	27	67374	Motion Filter
3	74914	Chassis	28	59595	Bolt, Shoulder 5/16 - 24 x 1/2
6	75254	Lever Arm Assembly	29	1628P	Washer 17/32 x 1 1/2 x 10 Ga.
7	75265	Side Bracket	30	588P	Nut, Nylok 5/16 - 24 UNF
9	3010P	*Bolt, Hex 5/16 - 18 x 3/4	31	2044J	Spring - Idler
10	1588P	Washer 21/32 x 1 x 16 Ga.	32	63018	Pulley - Idler
11	5001P	E-Ring	33	6066P	Bolt, Hex with Sems Lockwasher 3/8 - 16 x 1 - 1/2 V-Bolt
12	563P	*Locknut, Gripco 5/16 - 18 UNC Gr. B	35	67346	Front Member Assembly
13	24545	Parallel Bar	36	72357	*Bolt, Carriage 5/16 - 18 x 3/4 Gr. 5
14	67394	Bolt, Shoulder 5/16 - 18 x 3/4	37	67P	Lifter Bracket
15	588P	Locknut, Nylok 5/16 - 18 UNC	38	72375	Spring
16	73798	Brake Rod - Rear	39	74516	Housing Lifter
17	64284	Spring	40	74515	Bolt, Carriage 5/16 - 18 x 1 Gr. 5
18	2003P	*Cotter Pin 3/32 x 3/4	41	68P	Driver Lock Pin - Type B
19	62755	Spring	42	74516	Bolt, Carriage 5/16 - 18 x 1 Gr. 5
20	74521	Lifter Handle	43	74522	Driver Lock Pin - Type B
21	72361	Parking Brake Rod	44	73446	Drive Lock Pin Type F
22	63646	Cotter Pin 5/64 x 3/8	45	68475	Bolt, Shoulder 5/16 - 18 x 3/4
23	72393	Motion Clutch and Brake Rod	46	3021P	Bolt, Hex 3/8 - 16 x 3/4
24	72360	Four Pinot Clamp			
24A	71823	Flange Cap			
24B	55862	Knob			

REPAIR PARTS

32" REAR ENGINE RIDING LAWN MOWER-MODEL NUMBER K8327BR

WHEEL GROUP



REPAIR PARTS

32" REAR ENGINE RIDING LAWN MOWER-MODEL NUMBER K8327BR

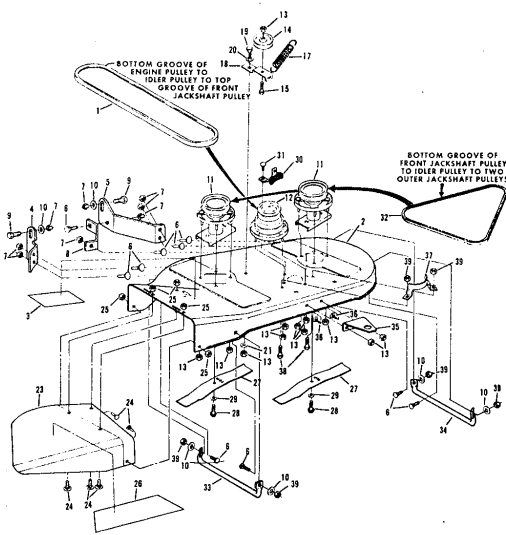
WHEEL GROUP

KEY NO.	PART NO.	DESCRIPTION	KEY NO.	PART NO.	DESCRIPTION
1	72818	Chain	16	72547	Steering Shaft
2	80474	Repair Link Kit (Inc. Offset and Connecting Link)	17	2606P	*Cotter Pin 1/8 x 1
3	70302	Tire 13 - 6.00 x 6	18	1628P	Washer 21/32 x 1 - 1/4 x 16 Ga.
4	70301	Rim - Rear	19	5001P	E-Ring
5	65138	Valve Stem	20	71208	Bearing
6	59192	Valve Cap	21	72401	Kingspin - L.H.
7	5386P	*Bolt, Hex 5/16 - 18 x 1 - 5/8 Gr. 5	22	72400	Kingspin - R.H.
8	653P	*Locknut, Gripco 5/16 - 18 UNC Gr. B	24	56855	Bolt, Shoulder - Special 5/16 - 24
9	1617P	Washer 25/32 x 1 - 1/4 x 16 Ga.	25	562P	Locknut, Hex with Washer Insert 5/16 - 24 UNF
10	67703	Chain Adjuster	26	72359	Steering Plate
11	6067P	Bolt, Hex with Sems Lockwasher 5/16 - 18 x 1	27	3390B	Screw, Thread Rolling 5/16 - 18 x 1/2
12	72382	Bearing Cup	28	1630P	Washer 21/32 x 1 x 21 Ga.
13	62346	Bearing	29	67350	Wheel and Tire Assembly 11.00 x 4.00 (Inc. Key No. 30)
15	2112J	Differential Assembly	30	64906	Bearing

REPAIR PARTS

32" REAR ENGINE RIDING LAWN MOWER-MODEL NUMBER K8327BR

MOWER



REPAIR PARTS

32" REAR ENGINE RIDING LAWN MOWER-MODEL NUMBER K8327BR

MOWER

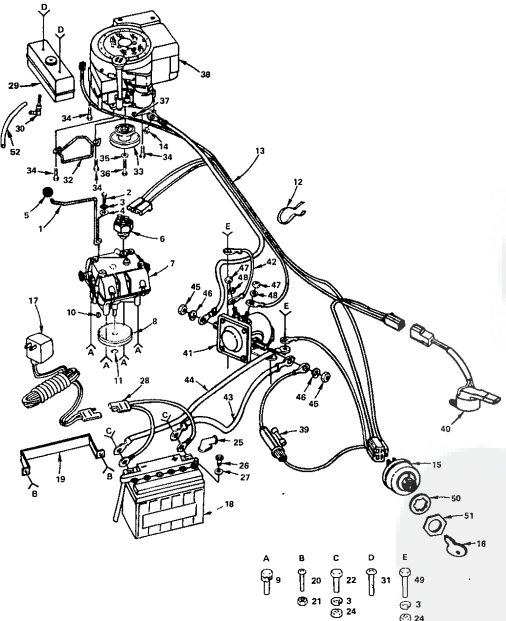
KEY NO.	PART NO.	DESCRIPTION	KEY NO.	PART NO.	DESCRIPTION
1	74212	V-Belt	21	1622P	Washer, 13/32 x 7/8 x 7 Ga.
2	75203	Housing with Silk Screening	22	71596	Discharge Guard
3	75382	Decal - Outer Head	24	70P	*Bolt, Carriage 1/4 - 20 x 3/4 Gr. 5
4	74551	Housing Lifter - R.H.	25	560P	Locknut, Gripco 1/4 - 20 UNC
5	74552	Housing Lifter - L.H.	26	75085	Decal - Discharge Guard
6	69P	*Bolt, Carriage 5/16 - 18 x 3/4 Gr. 5	27	67405	Blade
7	690P	Locknut, Nylon 5/16 - 18 UNC	28	6000P	Screw, Hex Machine w/Semis Lockwasher
8	74553	Strap	29	1631P	Nylon Patch 3/8 - 24 x 7/8 Gr. 5
9	56908	Bolt, Shoulder - Special	30	88107	Washer, 13/32 x 2 - 3/8 x 10 Ga.
10	59808	*Washer 11/32 x 3/4 x 16 Ga.	31	1631P	Brake Assembly
11	71633	Jackshaft Assembly - Driven	32	8021P	*Bolt, Hex 3/8 - 16 x 3/4
12	6925	Jackshaft Assembly - Driver	33	74548	V-Belt
13	545P	Locknut, Gripco 3/8 - 16 UNC	34	74549	Skid - R.H.
14	67400	Idler Pulley	35	74550	Skid - L.H.
15	6066P	Bolt, Hex with Semis Lockwasher 3/8 - 18 x 1 - 1/2	36	74550	Mower Support
16	6066P	Bolt, Hex with Semis Lockwasher 3/8 - 18 x 1 - 1/2	37	19P	*Bolt, Carriage 3/8 - 16 x 3/4
17	67401	Spring	38	8052P	Screw, Hex Head with Semis Lockwasher 5/16 - 18 x 3/4
18	67399	Idler Arm	39	553P	Washer - Special
19	62361	Bolt, Shoulder - Special			
20	67356	Washer - Special			

*STANDARD HARDWARE-PURCHASE LOCALLY

REPAIR PARTS

32" REAR ENGINE RIDING LAWN MOWER-MODEL NUMBER K8327BR

ELECTRICAL



REPAIR PARTS

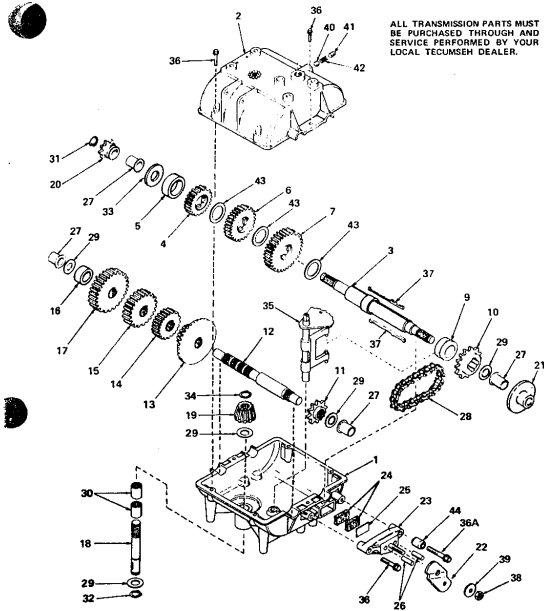
32" REAR ENGINE RIDING LAWN MOWER-MODEL NUMBER K8327BR

ELECTRICAL

KEY NO.	PART NO.	DESCRIPTION	KEY NO.	PART NO.	DESCRIPTION
28	600J	Charger Plug Assembly	29	742J	Fuel Tank
30	730J	Fuel Tank Elbow	31	3368P	Screw, Trans Hd. Phillips 1/4 - 20 x 5/8
32	677A201	Belt Keeper Assembly	32	2188J	Engine Pulley
33	2188J	Engine Pulley	34	5606P	Screw, Hex Hd. Thd. Rolling 3/8 - 18 x 1 - 1/2
35	1634P	Washer 3/8 x 1 - 1/4 x 7 Ga.	35	1634P	Screw, Hex Hd. w/Semis Lockwasher 3/8 - 24 x 1 - 3/8 Nylon Patch Gr. 5
36	6070P	Key, Woodruff No. 5	36	6070P	Engine, 8 H.P. Briggs & Stratton Type No. 564701
37	65053	Fuse - 30 Amp.	37	65053	Fuse - 30 Amp.
38	191705	Safety Switch	38	191705	Safety Switch
39	63478	Solenoid	41	7754R	Wire, Solenoid Ground
40	2053J	Wiring Harness	42	8021P	Cable Assembly (Battery to Solenoid)
41	7754R	Wire, Solenoid Ground	43	665J	Cable Assembly (Battery to Ground)
42	8021P	Cable Assembly (Battery to Solenoid)	44	2058J	Nut, Hex 5/16 - 24 UNF
43	665J	Cable Assembly (Battery to Ground)	45	585P	Lockwasher 5/16
44	2058J	Nut, Hex 5/16 - 24 UNF	46	1007P	Nut, Hex No. 10 - 32
45	585P	Lockwasher 5/16	47	545P	Lockwasher No. 10
46	1007P	Nut, Hex No. 10 - 32	48	1006P	*Bolt, Hex 1/4 - 20 x 3/4
47	545P	Lockwasher No. 10	50	67158	Lockwasher, Internal Tooth 5/8
48	1006P	*Bolt, Hex 1/4 - 20 x 3/4	51	67759	Nut 5/8 - 32 UNF
49	3003P	Lockwasher, Internal Tooth 5/8	52	2316J	Fuel Line
50	67158	Lockwasher, Internal Tooth 5/8			
51	67759	Nut 5/8 - 32 UNF			
52	2316J	Fuel Line			

REPAIR PARTS

32" REAR ENGINE RIDING LAWN MOWER-MODEL NUMBER K8327BR
TRANSMISSION MODEL NUMBER 719A



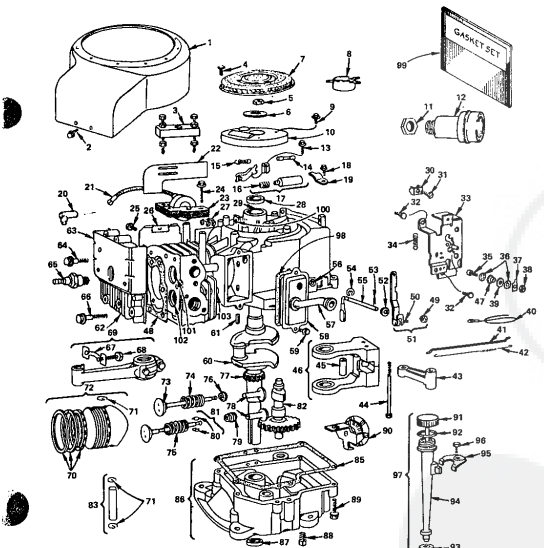
REPAIR PARTS

32" REAR ENGINE RIDING LAWN MOWER-MODEL NUMBER K8327BR
TRANSMISSION MODEL NUMBER 719A

KEY NO.	PART NO.	DESCRIPTION	KEY NO.	PART NO.	DESCRIPTION
1	794212A	Complete Transmission (719A)	25	39007	Plate, Brake pad
2	770061	Case, Transmission	26	78026	Pin, Dowel
3	775070	Shaft, Output and Brake	27	78005	Bushing, Flanged
4	776122	Gear, Spur (20 teeth)	28	76081	Chain, Roller (No. 41 chain, 24 links)
5	785027	Screw, Washer	29	780072	Race, Thrust
6	776123	Gear, Spur (25 teeth)	30	29106	Bearing, Needle
7	776124	Gear, Spur (30 teeth)	31	792072	Ring, Retaining
8	754706	Collar, Shaft	32	78006	Ring, Retaining
9	784706	Sprocket (18 teeth)	33	780109	Washer
10	784853	Sprocket (18 teeth)	34	788490	Ring, Retaining
11	785082	Sprocket (18 teeth)	35	784270	Head & Fork Assy., Shift
12	776134	Shaft, Counter	36	782073	Screw, Hex hd, tapite, 1/4" x 2-1/4"
13	723109	Gear, Sprocket (42 tooth and 15 tooth spur gear)	36A	792085	Screw, Hex hd, tapite, 1/4" x 2-1/4"
14	776126	Gear, Spur (20 teeth)	37	792089A	Key
15	776127	Gear, Spur (25 teeth)	38	782075	Nut, 5/16" x 24 lock
16	788071	Sprocket	39	792076	Washer, Flat, 5/16"
17	776129	Gear, Spur (30 teeth)	40	782077	Ball, Steel, 5/16"
18	776135	Shaft, Input	41	792078	Screw, Set, 5/16" x 3/8"
19	776133	Sprocket, Input	42	792079	Spring
20	786047	Sprocket (18 teeth)	43	780106	Washer, Thrust
21	795004	Link, Brake	44	786007	Sprocket
22	795005	Lever, Brake			
23	790005	Holder, Brake pad			
24	790006	Pad, Brake			

REPAIR PARTS

32" REAR ENGINE RIDING LAWN MOWER-MODEL NUMBER K8327BR
BRIGGS & STRATTON 8 H.P. ENGINE-MODEL NO. 191705, TYPE NO. 5647-01
CYLINDER, CRANKSHAFT AND ENGINE BASE GROUP



REPAIR PARTS

32" REAR ENGINE RIDING LAWN MOWER-MODEL NUMBER K8327BR
BRIGGS & STRATTON 8 H.P. ENGINE-MODEL NO. 191705, TYPE NO. 5647-01
CYLINDER, CRANKSHAFT AND ENGINE BASE GROUP

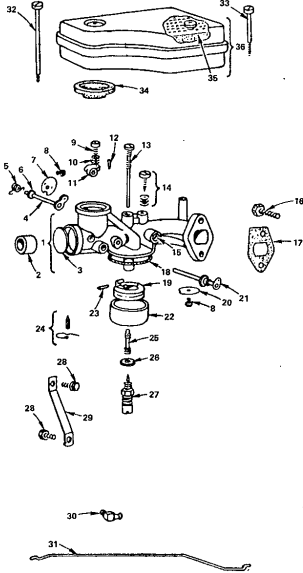
KEY NO.	PART NO.	DESCRIPTION	KEY NO.	PART NO.	DESCRIPTION
1	391379	Housing - Blower	61	61760	Key - Flywheel
2	93188	Screw - Set	62	21286	Cylinder Head
3	18165	Pin - Flywheel	63	222536	Cover - Cylinder Head
4	93895	Screw - Set	64	63211	Screw - 2, 21/32"
5	92284	Nut - Flywheel	65	282918	Spark Plug Resistor
6	220855	Washer - Spring	65	63222	Screw - 3"
7	222552	Screws - Flush Retaining	67	222114	Lock - Connecting Rod Screw
8	222551	Cup - Screen Mfg	68	82559	Screw - Connecting Rod
9	93705	Screw - Set	69	390402	Rod Assy. - Connecting
10	222117	Cover - Breaker Point	70	391699	(Inc. Key No's. 67 & 68)
11	91242	Locknut - Muffler	70	391670	RING SET - PISTON - Std.
12	393010	Muffler - Exhaust	70	391671	.010 Oversize
13	93381	Screw - Breaker Arm	70	391672	.020 Oversize
14	65704	Plunger - Breaker Point	70	391673	.030 Oversize
15	26018	Spring - Breaker Arm	71	68546	Lock - Piston Pin
16	260374	Spring - Connector	71	391674	Piston Assy. (Inc. Key No's. 70 & 71)
17	294029	Breaker Point & Condenser (Inc. Key No's. 15 & 16)	72	391675	.010 Oversize
18	93042	Screw - Set	72	391676	.020 Oversize
19	226477	Clamp - Condenser	72	391677	.030 Oversize
20	65538	Elbow - Spark Plug	73	261095	Intake Valve
21	221798	Terminal - Ignition Cable	74	65906	Spring - Intake Valve
22	221760	Guide - Air	75	28278	Spring - Exhaust Valve
23	298968	Armature Assy.	76	221526	Retainer - Intake Valve
24	93391	Screw - Armature	77	281195	Retainer - Exhaust Valve
25	93163	Screw - Set	78	260622	Tapset - Valve
26	222836	Shaft - Cylinder	79	282260	Rotocoil - Exhaust Valve
27	221907	Clip - Wire	80	93030	Retainer - Exhaust Valve
28	294606	Oil Seal	80	390419	Exhaust Valve (Inc. Key No. 80)
29	393075	Cylinder Assembly	82	211689	Gear - Cam
30	221535	Clamp - Casing	83	295640	Pin Assy. - Piston (Inc. Key No. 71)
31	93496	Screw - Set	85	295641	Pin Assy. - Piston (.005 Oversize)
32	93572	Screw	85	27750	Gasket - Crankcase Cover - 1/64" thick
33	380662	Plate - Governor Control	85	27876	Gasket - Crankcase Cover - .005" thick
34	291306	Spring - Governor	85	27877	Gasket - Crankcase Cover - .006" thick
35	91920	Screw - Terminal	86	29616	Oil Sump (Inc. Key No's. 85 and 87)
36	92761	Lockwasher	87	298423	Oil Seal
37	93722	Terminal - Speed	88	91084	Plug - Oil Drain
38	90576	Hex Nut No. 8, 32	89	93585	Screw - Set
39	66068	Washer - Insulating	90	392119	Oil Strainer - Governor
40	299500	Wire - Ground	91	391840	Cap & Dipstick - Oil Filler
41	359971	Link - Governor	92	27020	Seal - Filler Cap
42	260584	Spring - Governor Link	93	68828	Seal - Filler Tube
43	212259	Link - Counterweight	94	260133	Tube - Oil Filler
44	93874	Screw - Counterweight	95	222402	Clamp - Oil Filler Tube
45	286009	Pin - Counterweight	96	93804	Screw - Clamp Mfg
46	390172	Counterweight Assy.	97	392065	Filter Group - Oil (Inc. Key No's. 91, 92, 93, 94, 95 & 96)
47	85554	Collar - Insulating	98	27802	Gasket - Valve Cover
48	279430	Gasket - Cylinder Head	99	299577	Gasket Set
49	231082	Hex Nut No. 10 - 24	100	22513	Bushing - Plunger
50	92613	Ball - Governor Lever	101	211681	Seal - Intake Valve (Std.)
51	391733	Lever Assy. - Governor (Inc. Key No's. 49 & 50)	102	211681	Seal - Exhaust Valve (Std.)
52	222450	Washer - Governor Lever	103	236665	Guide - Exhaust Valve
53	83308	Otter - Hair Pin			
54	93207	Retainer - O-Ring			
55	231058	Crank - Governor			
56	231055	Bushing - Governor Crank			
57	280025	Breather Tube			
58	391405	Breather Assy.			
59	93536	Set Screw			
60	391577	Crankshaft			

ALL ENGINE PARTS MUST BE PURCHASED THROUGH AND SERVICE PERFORMED BY YOUR LOCAL BRIGGS AND STRATTON DEALER.

*INCLUDED IN GASKET SET 299577
SPARK ARRESTER ASSEMBLY (OPTIONAL)
391913 Spark Arrester
222537 Deflector
93705 Screw (H required)

REPAIR PARTS

32" REAR ENGINE RIDING LAWN MOWER-MODEL NUMBER K83278R
BRIGGS & STRATTON 8 H.P. ENGINE-MODEL NO. 191705, TYPE NO. 5647-01
CARBURETOR NUMBER 390811



ALL ENGINE PARTS MUST BE PURCHASED THROUGH AND SERVICE PERFORMED BY YOUR LOCAL BRIGGS AND STRATTON DEALER.

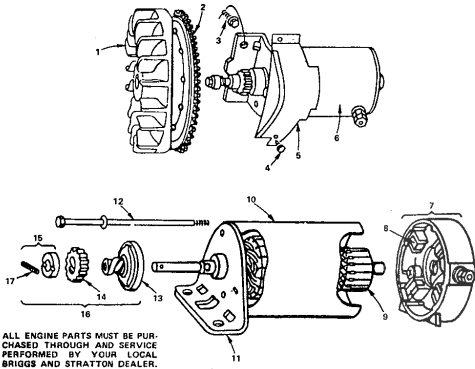
REPAIR PARTS

32" REAR ENGINE RIDING LAWN MOWER-MODEL NUMBER K83278R
BRIGGS & STRATTON 8 H.P. ENGINE-MODEL NO. 191705, TYPE NO. 5647-01
CARBURETOR NUMBER 390811

KEY NO.	PART NO.	DESCRIPTION	KEY NO.	PART NO.	DESCRIPTION
1	209851	Body Ass'y. (Includes Key No. 3)	21	391512	Shaft & Lever - Throttle
2	211852	Venturi - Carburetor	22	221956	Bowl - Float
3	221997	*Plug - Welch	23	230806	*Pin - Float Hinge
4	390684	Shaft and Lever - Choke	24	390606	*Valve - Fuel Inlet
5	261116	Spring - Choke Return	25	230332	*Screw - Nozzle
6	270382	Washer - Choke Shaft	26	220214	*Washer - Float Bowl
7	220310	Valve - Choke	27	381235	*Valve - Needle
8	93499	Screw - Sem	28	93572	Screw
9	91920	Screw - Fil. Hd. Mach. No. 8 - 32 x 5/8	29	220237	Bracket - Carburetor
10	26157	Spring - Throttle Adjustment	30	67219	Connector - Fuel Pipe
11	211712	Stop - Throttle	31	261117	Link - Choke
12	93043	Pin - Throttle Stop	32	93233	Screw - Air Cleaner
13	299740	*Nozzle - Carburetor	33	93822	Screw - Air Cleaner
14	292681	*Valve Ass'y. - Carb. Idle	34	270539	Gasket - Air Cleaner
15	23108	Bushing - Throttle Shaft	35	270528	Element - Air Cleaner
16	93297	Screw - Carburetor Mtg.	36	391599	Air Cleaner Ass'y. (Inc. Key No. 35)
17	270824	*Gasket - Carburetor Mtg.	299852		Carburetor Overhaul Kit (Inc. Parts Marked *)
18	260511	Float - Carburetor	390811		Carburetor Assembly
19	299707	Valve - Throttle			
20	221966	Valve - Throttle			

REPAIR PARTS

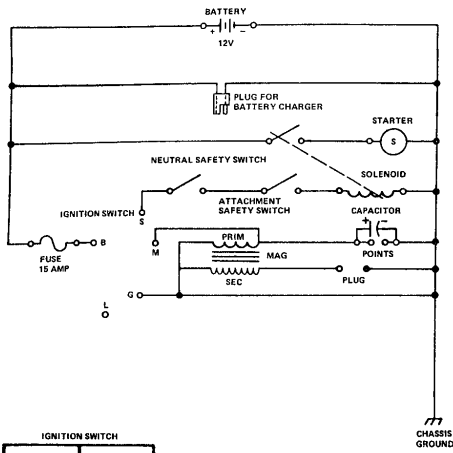
32" REAR ENGINE RIDING LAWN MOWER-MODEL NUMBER K83278R
BRIGGS & STRATTON 8 H.P. ENGINE-MODEL NO. 191705, TYPE NO. 5647-01
FLYWHEEL AND STARTER MOTOR GROUP



ALL ENGINE PARTS MUST BE PURCHASED THROUGH AND SERVICE PERFORMED BY YOUR LOCAL BRIGGS AND STRATTON DEALER.

KEY NO.	PART NO.	DESCRIPTION
1	392034	Flywheel and Ring Gear Ass'y.
2	392134	Gear - Ring
3	93523	Screw - Sem
4	93410	Screw - Sem
5	390233	Cover & Shield - Starter
6	392749	Motor, Starter (Inc. Key No's. 7 thru 17)
7	392646	End Cap Ass'y., Commutator (Inc. Key No. 8)
8	391706	Brush Ass'y.
9	392747	Armature Ass'y.
10	392744	Housing Ass'y.
11	392061	End Cap Ass'y., Drive
12	391706	Thru Bolt Ass'y.
13	391195	Clutch Ass'y.
14	280104	Gear
15	391462	Retainer & Pin (Inc. Key No. 17)
16	391461	Drive Ass'y. (Inc. Key No's. 13, 14 & 15)
17	93754	Roll Pin

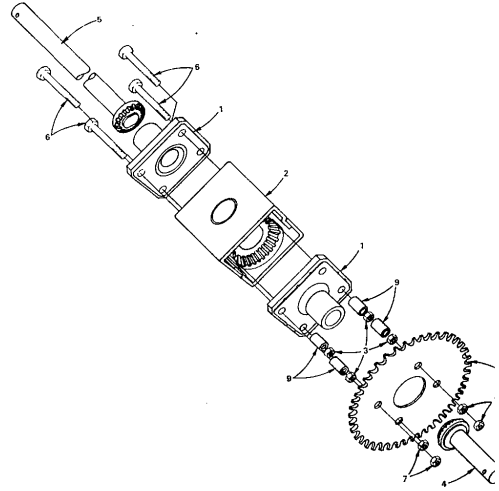
32" REAR ENGINE RIDING LAWN MOWER-MODEL NUMBER K8327CR
SCHEMATIC DIAGRAM



IGNITION SWITCH	
POSITION	CIRCUIT
OFF	M-G
ON	B-L
START	B-S

REPAIR PARTS

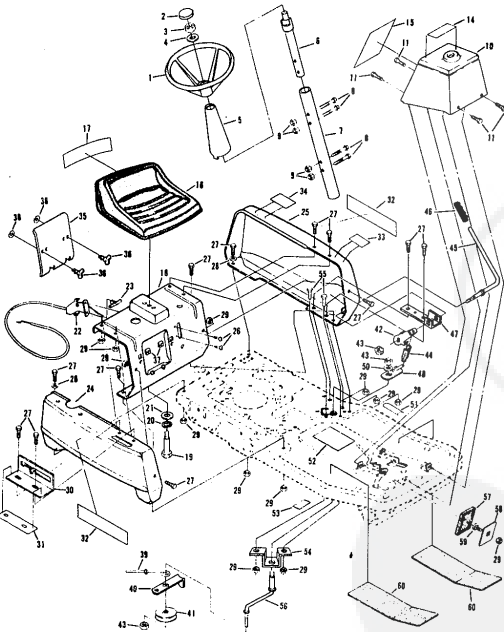
32" REAR ENGINE RIDING LAWN MOWER-MODEL NUMBER K8327CR
DIFFERENTIAL ASSEMBLY PART NUMBER 2112J



KEY NO.	PART NO.	DESCRIPTION
1	2308J	End Cap - Bearing Assembly
2	2308J	Transfer Gear Case Assembly
3	504P	Hex Nut - 5/16 - 18 UNC
4	2310J	Gear Shaft Assembly - Right
5	2311J	Gear Shaft Assembly - Left
6	3280P	Hex Bolt (Plated) 5/16 - 18 x 4 - 1/2
7	575P	Locknut - Gripco 5/16 - 18 UNC (Plated)
8	2312J	Sprocket
9	2313J	Spacer - Sprocket

REPAIR PARTS

32" REAR ENGINE RIDING LAWN MOWER-MODEL NUMBER K8327CR
STEERING AND ENCLOSURE GROUP



REPAIR PARTS

32" REAR ENGINE RIDING LAWN MOWER-MODEL NUMBER K8327CR
STEERING AND ENCLOSURE GROUP

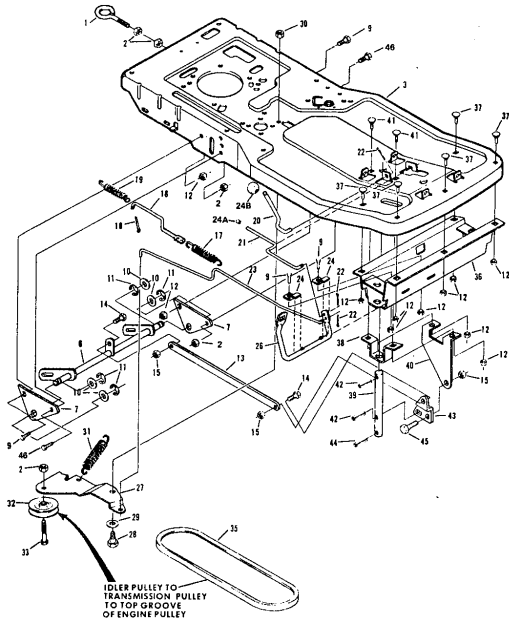
KEY NO.	PART NO.	DESCRIPTION	KEY NO.	PART NO.	DESCRIPTION
1	74564	Steering Wheel	30	74531	Shifter Gate
2	1114J	Insert Cap	31	74580	Decal - Shift
3	558P	*Jam Nut 1/2 - 20 UNF	32	74501	Decal - Roper
4	1549P	Washer 17/32 x 1 x 16 Ga.	33	74501	Decal - Blade Control
5	7270S	Steering Shaft Cover	34	74512	Decal - Engine Area
6	74555	Steering Shaft - Upper	35	7292B	Battery Holder
7	74562	Steering Shaft Extension	36	72319	Wing Head Stud
8	3255P	*Bolt, Hex 1/4 - 20 x 1 - 3/4 Gr. 5	37	73320	Recusacle
9	585P	Locknut with Washer Insert 1/4 - 20 UNC	38	73321	Suit Ring
10	74522	Console Assembly	39	72987	Blade Brake Rod
11	3390P	Screw, Hex, Thread Rolling 5/16 - 18 x 1/2	40	74544	Belt Keeper
14	75122	Decal - Operating Instructions	41	52018	Idler Pulley
15	74558	Decal - Instruction	42	74613	Spring Arm
16	1405J	Seat	44	75045	Locknut - Gripco 3/8 - 16 UNC
17	75070	Decal - Seat	45	74538	Blade Clutch Lever
18	74963	Front Panel	46	71248	Grip
19	72638	Bolt, Shoulder 1/2 - 13 UNC	47	74539	Handle Bracket
20	1000P	*Lockwasher 1/2	48	75339	Control Arm Assembly
21	1625P	Washer 17/32 x 1 - 3/16 x 12 Ga. (Inc. Key No. 23)	50	1636P	Washer 13/32 x 7/8 x 6 Ga.
22	1544J	Throttle Control	51	74559	Decal - Enter and Exit
23	61159	*Screw, Phillips Truss Hd. Thread Cut 1/4 - 20 x 3/4	52	74557	Decal - Brake Instruction
24	74534	Side Panel - R.H.	53	376J	Decal - Clutch and Brake
25	74522	Side Panel - L.H.	54	74542	Idler Support Bracket
26	5547P	*Screw, Phillips Truss Hd. Thread Cut 1/4 - 20 x 3/4	55	3010P	*Bolt, Hex 5/16 - 18 x 3/4
27	3386P	Screw, Hex Washer Hd. Machine 5/16 - 18 x 3/4	56	74643	Idler Arm
28	1626P	Washer 17/32 x 1 - 1/8 x 16 Ga.	57	6730S	Foot Pad
29	575P	*Locknut - Gripco 5/16 - 18 UNC	58	67189	Foot Pedal Plate
			59	67613	Bolt, Carriage 5/16 - 18 x 3/4 Special
			60	72384	Floor Board Pad
				2079J	Owners Manual

STANDARD HARDWARE-PURCHASE LOCAL

REPAIR PARTS

32" REAR ENGINE RIDING LAWN MOWER-MODEL NUMBER K8327CR

CHASSIS



REPAIR PARTS

32" REAR ENGINE RIDING LAWN MOWER-MODEL NUMBER K8327CR

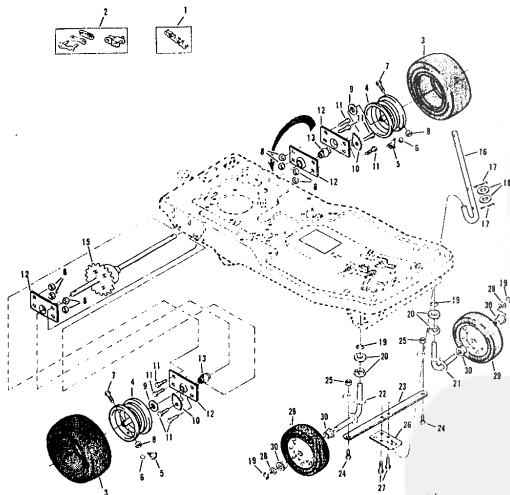
CHASSIS

KEY NO.	PART NO.	DESCRIPTION	KEY NO.	PART NO.	DESCRIPTION
1	70630	Tow Hitch - Eyebolt	28	72387	Foot Pedal
2	5469	*Locknut, Gripco 5/16 - 18 UNC	27	67114	Motion Idler
3	74514	Chassis	28	58855	Bolt, Shoulder 5/16 - 24 x 1/2
6	75284	Lever Arm Assembly	29	1828P	Washer 13/32 x 1 - 1/2 x 10 Ga.
7	75285	Sole Bracket	30	586P	Nut, Nylon 5/16 - 24 UNF
9	3010P	*Bolt, Hex 5/16 - 18 x 3/4	31	2044J	Spring - Idler
10	1580P	Washer 21/32 x 1 x 18 Ga.	32	53018	Pulley - Idler
11	5001P	E-Ring	33	6066P	Bolt, Hex with Sems Lockwasher 3/8 - 18 x 1 - 1/2
12	553P	*Locknut, Gripco 5/16 - 18 UNC Gr. B	35	67348	V-Belt
13	74545	Parallel Bar	36	72357	Front Member Assembly
14	67394	Bolt, Shoulder 5/16 - 18 x 3/4	37	67P	Bolt, Carriage 5/16 - 18 x 3/4 Gr. 5
15	580P	Locknut, Nylon 5/16 - 18 UNC	38	72375	Lifter Bracket
16	73798	Brake Rod - Rear	39	74516	Housing Lifter
17	64294	Spring	40	74515	Ballcrank Bracket
18	2503P	*Cotter Pin 3/32 x 3/4	41	68P	Bolt, Carriage 5/16 - 18 x 1 Gr. 5
19	82755	Spring	42	74576	Drive Lok Pin - Type B
20	74527	Lifter Handle	43	74522	Ballcrank
21	72361	Parking Brake Rod	44	24648	Drive Lok Pin Type F
22	53840	Cotter Pin 5/64 x 3/4	45	68475	Bolt, Shoulder 5/16 - 18 x 3/4
23	72383	Motion Clutch and Brake Rod	46	5021P	Bolt, Hex 5/16 - 18 x 3/4
24	72360	Foot Pedal Clamp			*STANDARD HARDWARE-PURCHASE LOCALLY
24A	71673	Plunger Cap			
24B	55862	Knob			

REPAIR PARTS

32" REAR ENGINE RIDING LAWN MOWER-MODEL NUMBER K8327CR

WHEEL GROUP



REPAIR PARTS

32" REAR ENGINE RIDING LAWN MOWER-MODEL NUMBER K8327CR

WHEEL GROUP

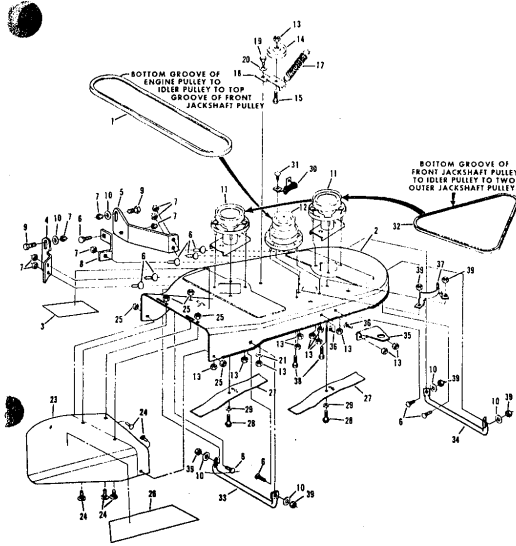
KEY NO.	PART NO.	DESCRIPTION	KEY NO.	PART NO.	DESCRIPTION
1	72818	Chain	18	72547	Steering Shaft
2	60474	Repair Link Kit (Inc. Offset and Connecting Links)	17	2506P	*Cotter Pin 1/8 x 1
3	70302	Tire 13 - 5.00 x 6	16	1623P	Washer 21/32 x 1 - 1/4 x 16 Ga.
4	70301	Rim - Rear	19	6001P	E-Ring
5	65129	Valve Stem	20	71208	Bearing
6	58132	Valve Cap	21	72401	Kingpin - L.H.
7	3395P	*Bolt, Hex 5/16 - 18 x 1 - 5/8 Gr. 5	22	72400	Kingpin - R.H.
8	553P	*Locknut, Gripco 5/16 - 18 UNC Gr. B	23	72358	Tie Bar
9	1617P	Washer 25/32 x 1 - 1/4 x 16 Ga.	24	58855	Bolt, Shoulder - Special 5/16 - 24
10	67703	Chain Adjuster	25	582P	Locknut, Hex with Washer Insert 5/16 - 24 UNF
11	6067P	*Bolt, Hex with Sems Lockwasher 5/16 - 18 x 1	26	72359	Steering Plate
12	72382	Bearing Cup	27	3393P	Screw, Thread Rolling 5/16 - 18 x 1/2
13	62348	Bearing	28	1830P	Washer 21/32 x 1 x 21 Ga.
15	2112J	Differential Assembly	29	67350	Wheel and Tire Assembly 11.00 x 4.00 (Inc. Key No. 30)
			30	64906	Bearing

*STANDARD HARDWARE-PURCHASE LOCALLY

REPAIR PARTS

32" REAR ENGINE RIDING LAWN MOWER—MODEL NUMBER K8327CR

MOWER



REPAIR PARTS

32" REAR ENGINE RIDING LAWN MOWER—MODEL NUMBER K8327CR

MOWER

KEY NO.	PART NO.	DESCRIPTION	KEY NO.	PART NO.	DESCRIPTION
1	74212	V Belt	21	1622P	Washer, 13/32 x 7/8 x 7 Ga.
2	78293	Housing with Silk Screening	23	71596	Discharge Guard
3	76382	Decal - Cutter Head	24	70P	*Bolt, Carriage 1/4 - 20 x 3/4 Gr. 5
4	79521	Housing Lifter - R.H.	26	5699P	Locknut, Gripco 1/4 - 20 UNC
5	74552	Housing Lifter - L.H.	28	75485	Decal - Discharge Guard
6	67P	*Bolt, Carriage 5/16 - 18 x 3/4 Gr. 5	27	67405	Blank
7	588P	Locknut, Nylon 5/16 - 18 UNC	28	6062P	Screw, Hex Machine w/Sems Lockwasher
8	74553	Strip	29	1631P	Nylon Patch 3/8 - 24 x 7/8 Gr. 5
9	5880B	Bolt, Shoulder - Special	30	88107	Washer 1/2 x 2 - 3/8 x 10 Ga.
10	50806	Washer 1 1/2 x 3/4 x 16 Ga.	31	5021P	Brake Assembly
11	71033	Jackshaft Assembly - Driver	32	67398	*Bolt, Hex 3/8 - 16 x 3/4
12	69522	Jackshaft Assembly - Driver	33	74548	V-Bolt
13	545P	Locknut, Gripco 3/8 - 16 UNC	34	74548	Skid - R.H.
14	67400	Idler Pulley	35	74550	Mower Support
15	6066P	Bolt, Hex with Sems Lockwasher 3/8 - 16 x 1 - 1/2	36	189P	*Bolt, Carriage 3/8 - 16 x 3/4
17	67401	Spring	37	67404	Bolt Snubber
18	67299	Idler Arm	38	6052P	Screw, Hex Head with Sems Lockwasher 5/16 - 18 x 3/4
19	62361	Bolt, Shoulder - Special	39	553P	Locknut, Gripco 5/16 - 18 UNC
20	67356	Washer - Special			

REPAIR PARTS

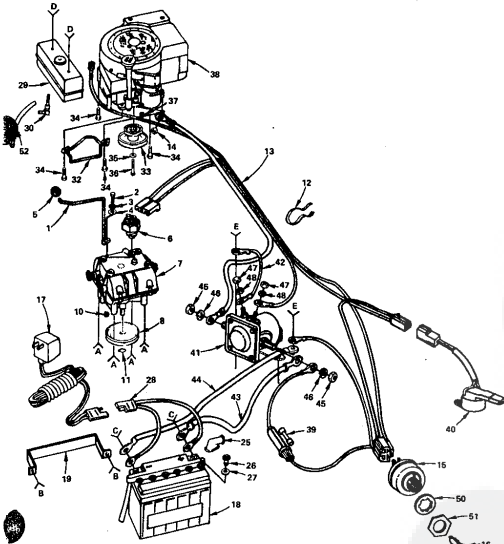
32" REAR ENGINE RIDING LAWN MOWER—MODEL NUMBER K8327CR

ELECTRICAL

REPAIR PARTS

32" REAR ENGINE RIDING LAWN MOWER—MODEL NUMBER K8327CR

ELECTRICAL

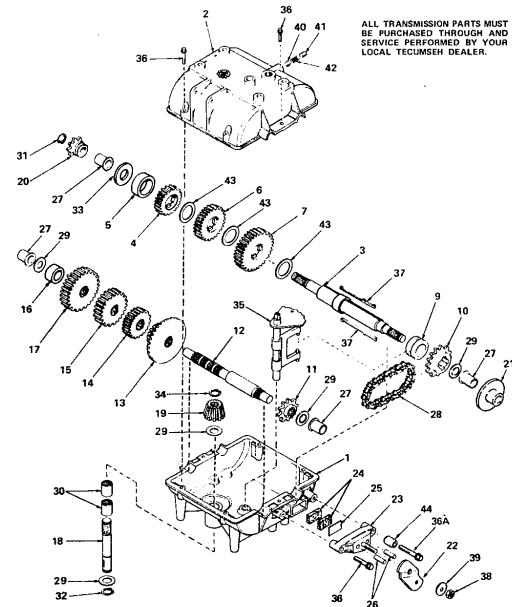


KEY NO.	PART NO.	DESCRIPTION	KEY NO.	PART NO.	DESCRIPTION
1	75266	Shift Lever	28	600J	Charger Plug Assembly
2	3389P	Bolt, Hex 1/4 - 28 x 1/2 Gr. 5	29	742J	Fuel Tank
3	1600P	Lockwasher 1/4	30	739J	Fuel Tank Elbow
4	1507P	Washer 3/32 x 3/4 x 16 Ga.	31	3358P	Screw, Truss Hd, Phillips 1/4 - 20 x 5/8
5	55882	Knob	32	677A201	Belt Keeper Assembly
6	74525	Switch - Transmission	33	2186J	Engine Pulley
7	794212A	Transmission Assembly (719A)	34	6608P	Screw, Hex Hd, Trid, Rolling 3/8 - 16 x 1 - 1/2
8	72541	Pulley - Transmission	35	1634P	Washer 3/8 x 1 - 1/4 x 7 Ga.
9	6069P	Bolt w/Sems Lockwasher 5/16 - 18 x 5/8	36	6070P	Screw, Hex Hd, w/Sems Lockwasher 3/8 - 24 x 1 - 3/8 Nylon Patch Gr. 5
10	58349	Key, Woodruff No. 9	37	65053	Key, Woodruff No. 6
11	65302	Retaining Ring	38	191705	Engine, 8 H.P. Briggs & Stratton Type No. 6547-01
12	43174	Wire Tie	39	6347R	Fuse - 30 Amp.
13	2081J	Wire Harness	40	2083J	Safety Switch
14	53496	Locknut 1/4 - 20	41	7754R	Solenoid
15	4406H	Ignition Switch	42	8027R	Wire, Solenoid Ground
16	7552H	Key	43	686J	Cable Assembly (Battery to Solenoid)
17	71903	Battery Charger	44	2086J	Cable Assembly (Battery to Ground)
18	70451	Battery Pack	45	889P	Nut, Hex 5/16 - 24 UNF
19	72708	Battery Strap	46	1007P	Lockwasher 5/16
20	3337P	Screw, Truss Hd, Phillips 1/4 - 20 x 1/2	47	549P	Nut, Hex No. 10 - 32
21	588P	Locknut, 1/4 - 20 UNC w/Washer Inset	48	1006P	Lockwasher No. 10
22	3114P	Screw, Hex Head 1/4 - 20 x 1/2 (Furnished w/Battery Pack)	49	3003P	Bolt, Hex 1/4 - 20 x 3/4
23	503P	Hex Nut 1/4 - 20	50	67758	Lockwasher, Internal Tooth 5/8
24	716J	Terminal Boot	51	67759	Nut 5/8 - 32 UNF
25	2233J	Cap - Battery	52	2316J	Fuel Line
26	2224J	Gasket - Battery			



REPAIR PARTS

32" REAR ENGINE RIDING LAWN MOWER-MODEL NUMBER K8327CR
TRANSMISSION MODEL NUMBER 719A



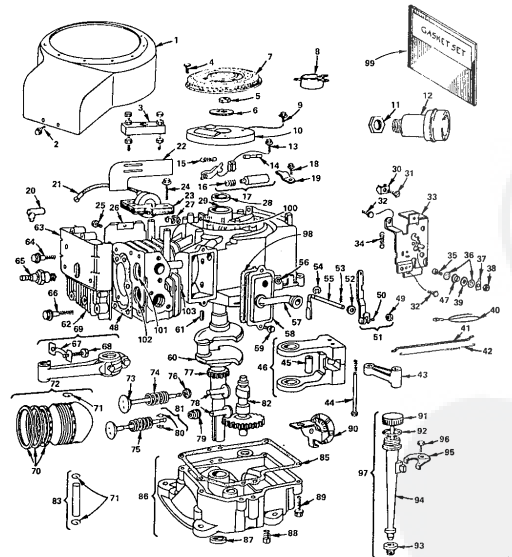
REPAIR PARTS

32" REAR ENGINE RIDING LAWN MOWER-MODEL NUMBER K8327CR
TRANSMISSION MODEL NUMBER 719A

KEY NO.	PART NO.	DESCRIPTION	KEY NO.	PART NO.	DESCRIPTION
1	794212A	Complete Transmission (719A)	25	790007	Plate, Brake pad
2	770081	Case, Transmission	26	780026	Pin, Dowel
3	772070	Cover, Transmission	27	780105	Bushing, Flanged
4	778162	Shaft, Output and Brake	28	780081	Chain, Roller (No. 41 chain, 24 links)
5	778121	Gear, Spur (25 teeth)	29	790072	Race, Thrust
6	786072	Spacer	30	780106	Bearing, Needle
7	778123	Gear, Spur (25 teeth)	31	792077	Ring, Retaining
8	778124	Gear, Spur (30 teeth)	32	792035	Ring, Retaining
9	784266	Collar, Shift	33	780109	Washer
10	786083	Sprocket (18 teeth)	34	788040	Ring, Retaining
11	786082	Sprocket (9 teeth)	35	784270	Rod & Fork Asy., Shift
12	778154	Shaft, Counter	36	792075	Screw, Hex hd. 1/40th, 1/4" - 20 x 1 - 1/4
13	778109	Gear, Bevel (42 tooth and 15 tooth spur gear)	36A	792085	Screw, Hex hd. 1/40th, 1/4" - 20 x 2 - 1/4
14	778126	Gear, Spur (20 teeth)	37	792089A	Key
15	778127	Gear, Spur (25 teeth)	38	792035	Nut, 5/16" - 24 lock
16	786071	Spacer	39	792076	Washer, Flat, 5/16"
17	778129	Gear, Spur (30 teeth)	40	792077	Ball, Steel, 5/16"
18	778135	Shaft, Input	41	792078	Screw, Set, 3/8" - 16 x 3/8
19	778113	Bevel pinion, input	42	792079	Spring
20	786047	Sprocket (8 teeth)	43	780108	Washer, Thrust
21	790003	Brake	44	780067	Spacer
22	790004	Lever, Brake			
23	790005	Hydro Brake pad			
24	790006	Pad, Brake			

REPAIR PARTS

32" REAR ENGINE RIDING LAWN MOWER-MODEL NUMBER K8327CR
BRIGGS & STRATTON 8 H.P. ENGINE-MODEL NO. 191705, TYPE NO. 5647-01
CYLINDER, CRANKSHAFT AND ENGINE BASE GROUP



REPAIR PARTS

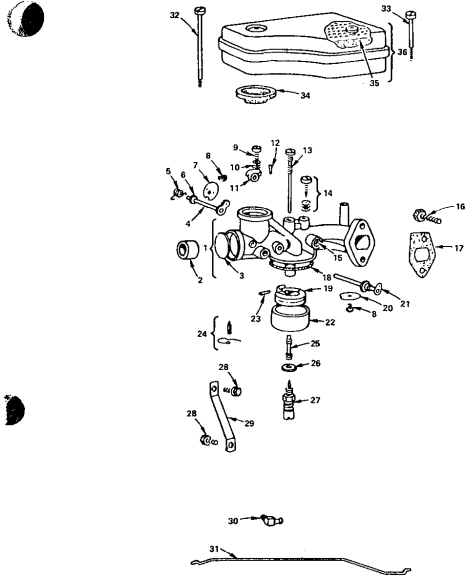
32" REAR ENGINE RIDING LAWN MOWER-MODEL NUMBER K8327CR
BRIGGS & STRATTON 8 H.P. ENGINE-MODEL NO. 191705, TYPE NO. 5647-01
CYLINDER, CRANKSHAFT AND ENGINE BASE GROUP

KEY NO.	PART NO.	DESCRIPTION	KEY NO.	PART NO.	DESCRIPTION
1	391379	Housing - Blower	61	61750	Key - Flywheel
2	93159	Screw - Sam	62	212286	Cylinder Head
3	19165	Puller - Flywheel	63	222636	Cover - Cylinder Head
4	83805	Screw - Sam	64	92211	Screw - 2" 21/32"
5	92284	Nut - Flywheel	65	293918	Spark Plug Resistor
6	220655	Washer - Spring	66	92723	Screw - 3"
7	222562	Screen - Flush Rotating	67	222114	Lock - Connecting Rod Screw
8	222581	Cup - Screen Mtg	68	90553	Rod - Connecting Rod
9	93702	Locknut - Muffler	69	904602	Rod Asy., Connecting (Inc. Key No's 67 & 68)
10	222117	Cover - Breaker Point	70	391669	RING SET - PISTON, Std.
11	91242	Locknut - Muffler	391670		.010 Oversize
12	393010	Muffler - Exhaust	391671		.020 Oversize
13	83381	Screw - Breaker Arm	391672		.030 Oversize
14	85704	Plunger - Breaker Point	71	68546	Lock - Piston Pin
15	26016	Spring - Breaker Arm	72	391613	Piston Asy., Inc. Key No's 70 & 71
16	260374	Spring - Connector	391673		.010 Oversize
17	294628	Breaker Points & Condenser (Inc. Key No's 15 & 16)	391674		.020 Oversize
18	93042	Screw - Sam	391675		.030 Oversize
19	220477	Clamp - Condenser	73	261055	Intake Valve
20	69538	Elbow - Spark Plug	74	69596	Spring - Intake Valve
21	221798	Terminal - Ignition Cable	75	26828	Spring - Exhaust Valve
22	221760	Guide - Air	76	221895	Retainer - Intake Valve
23	298968	Armature Asy.	77	261195	Gear - Timing
24	93381	Screw - Armature	78	260933	Tapet - Valve
25	93163	Screw - Sam	79	292260	Rotocoll - Exhaust Valve
26	222830	Shield - Cylinder	80	90303	Retainer - Exhaust Valve
27	221907	Clip - Wire	81	393419	Exhaust Valve (Inc. Key No. 80)
28	294606	Oil Seal	82	211689	Gear - Cam
29	393675	Cylinder Assembly	83	295640	Pin Asy., Piston (Inc. 2) each Key No. 71
30	221535	Clamp - Casing	85	295641	Pin Asy., Piston, .005 Oversize
31	93496	Screw - Sam	86	27750	*Gasket - Crankcase Cover - 1/64" thick
32	82572	Plate - Governor Control	27876		Gasket - Crankcase Cover - .006" thick
33	390662	Spring - Governor	27877		Gasket - Crankcase Cover - .008" thick
34	261506	Spring - Governor	86	298616	Oil Sump (Inc. Key No's 85 and 87)
35	91920	Screw - Terminal	87	298423	Oil Seal
36	92791	Lockwasher	88	01084	Plug - Oil Drain
37	93722	Terminal - Spade	89	93385	Screw - Sam
38	90576	Hex Nut No. 8 - 32	90	927118	Oil Slinger - Governor
39	96068	Washer - Insulating	91	391840	Cap & Dipstick - Oil Filter
40	299500	Wire - Ground	92	210920	Seal - Filler Cap
41	260871	Link - Governor	93	68838	Seal - Filler Tube
42	280584	Spring - Governor Link	94	260133	Tube - Oil Filter
43	212359	Link - Counterweight	95	222502	Clamp - Oil Filter Tube
44	93874	Pin - Counterweight	96	93804	Screw - Clamp Mtg.
45	298909	Counterweight Asy.	97	302086	Filter Group - Oil (Inc. Key No's 91, 92, 93, 94, 95 & 96)
46	390172	Collar - Insulating	98	27803	*Gasket - Valve Cover
47	66554	Collar - Insulating	99	298977	Gasket Set
48	270430	*Gasket - Cylinder Head	100	29512	Bushing - Plunger
49	231062	Hex Nut No. 10 - 24	101	211681	Seat - Intake Valve (Std.)
50	92613	Bolt - Governor Lever	102	211661	Seat - Exhaust Valve (Std.)
51	391733	Lever Asy., Governor (Inc. Key No's 49 & 50)	103	230656	Guide - Exhaust Valve
52	222450	Washer - Governor Lever			
53	93306	Dotter - Hair Pin			
54	93307	Retainer - E Ring			
55	211058	Crank - Governor			
56	231055	Bushing - Governor Crank			
57	280005	Breather Tube			
58	391408	Breather Asy.			
59	93536	Sims Screw			
60	391757	Crankshaft			

*INCLUDED IN GASKET SET 299577
SPARK ARRESTER ASSEMBLY (OPTIONAL)
Spark Arrester
225237
Deflector
93705 Screw (4 required)

REPAIR PARTS

32" REAR ENGINE RIDING LAWN MOWER - MODEL NUMBER K8327CR
BRIGGS & STRATTON 8 H.P. ENGINE - MODEL NO. 191705, TYPE NO. 5647-01
CARBURETOR NUMBER 390811



ALL ENGINE PARTS MUST BE PURCHASED THROUGH AND SERVICE PERFORMED BY YOUR LOCAL BRIGGS AND STRATTON DEALER.

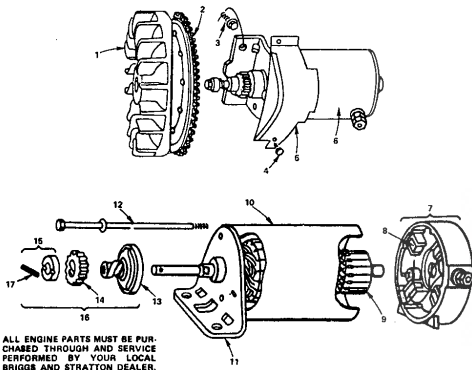
REPAIR PARTS

32" REAR ENGINE RIDING LAWN MOWER - MODEL NUMBER K8327CR
BRIGGS & STRATTON 8 H.P. ENGINE - MODEL NO. 191705, TYPE NO. 5647-01
CARBURETOR NUMBER 390811

KEY NO.	PART NO.	DESCRIPTION	KEY NO.	PART NO.	DESCRIPTION
1	299851	Body Ass'y. (Includes Key No. 3)	21	391512	Shaft & Lever - Throttle
2	211682	Venturi - Carburetor	22	221995	Bowl - Float
3	221997	*Plug - Wash	23	220886	*Pin - Float Hinge
4	350584	Shaft and Lever - Choke	24	290906	*Valve - Fuel Inlet
5	261116	Spring - Choke Return	25	230952	*Screw - Nozzle
6	270382	Washer - Choke Shaft	26	222014	*Washer - Float Bowl
7	222010	Valve - Choke	27	391233	*Valve - Nozzle
8	93499	Screw - Sem	28	93679	Screw
9	91920	Screw - Fil. Hd. Mach. No. B - 32 x 5/8	29	222027	Bracket - Carburetor
10	26157	Spring - Throttle Adjustment	30	61218	Connector - Fuel Pipe
11	211712	Stop - Throttle	31	261117	Link - Choke
12	93643	Pin - Throttle Stop	32	93323	Screw - Air Cleaner
13	259460	*Nozzle - Carburetor	33	93022	Screw - Air Cleaner
14	292681	*Valve Ass'y. - Carb. Idle	34	270539	Gasket - Air Cleaner
15	23108	Bushing - Throttle Shaft	35	270536	Element - Air Cleaner
16	93357	Screw - Carburetor Mfg.	36	391593	Air Cleaner Ass'y. (Inc. Key No 35)
17	270624	*Gasket - Carburetor Mfg.		299852	Carburetor Overhaul Kit (Inc. Parts Marked *)
18	270511	*Gasket - Float Bowl	390811		Carburetor Assembly
19	289107	Float - Carburetor			
20	221985	Valve - Throttle			

REPAIR PARTS

32" REAR ENGINE RIDING LAWN MOWER - MODEL NUMBER K8327CR
BRIGGS & STRATTON 8 H.P. ENGINE - MODEL NO. 191705, TYPE NO. 5647-01
FLYWHEEL AND STARTER MOTOR GROUP

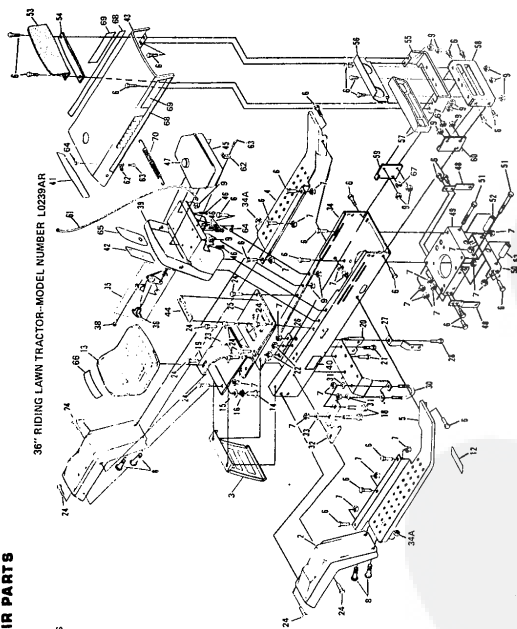


ALL ENGINE PARTS MUST BE PURCHASED THROUGH AND SERVICE PERFORMED BY YOUR LOCAL BRIGGS AND STRATTON DEALER.

KEY NO.	PART NO.	DESCRIPTION
1	392034	Flywheel and Ring Gear Ass'y.
2	392134	Gear - Ring
3	93823	Screw - Sem
4	93410	Screw - Sem
5	390233	Cover & Shield - Starter
6	392749	Motor, Starter (Inc. Key No's. 7 thru 17)
7	390846	End Cap Ass'y. Commutator (Inc. Key No. 8)
8	391705	Brush Ass'y.
9	392747	Armature Ass'y.
10	392744	Housing Ass'y.
11	392061	End Cap Ass'y. Drive
12	391706	Thru Bolt Ass'y.
13	391136	Clutch Ass'y.
14	280104	Gear
15	391462	Retainer & Pin (Inc. Key No. 17)
16	391461	Drive Ass'y. (Inc. Key No's. 13, 14 & 15)
17	93754	Roll Pin

REPAIR PARTS

CHASSIS



36" RIDING LAWN TRACTOR—MODEL NUMBER L0238AR

REPAIR PARTS

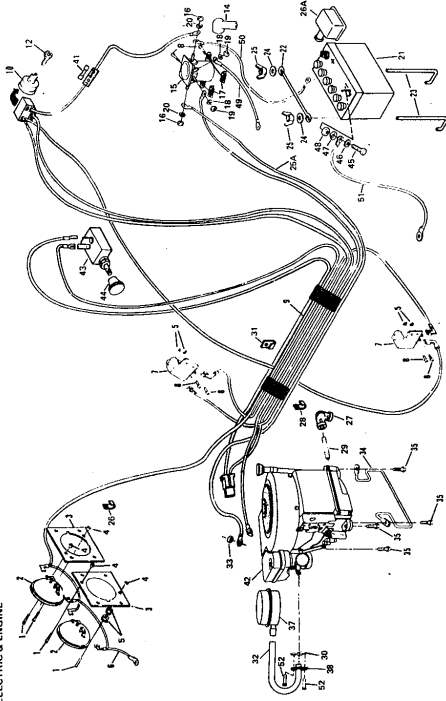
CHASSIS

KEY NO.	PART NO.	DESCRIPTION
2	200J	Fender, L. H.
3	1388J	Rear Cover, L.H.
4	1389J	Rear Cover, R.H.
5	1540J	Foot Rest, R.H.
6	2010P	Seat, Hex Head 5/16" - 18 x 3/4
7	2010P	Seat, Hex Head 5/16" - 18 x 1/2
8	2008P	Seat, Hex Head 5/16" - 18 x 1/2
9	2009P	Seat, Hex Head 5/16" - 18 x 1/2
10	2011P	Seat, Hex Head 5/16" - 18 x 1/2
11	2012P	Seat, Hex Head 5/16" - 18 x 1/2
12	2013P	Seat, Hex Head 5/16" - 18 x 1/2
13	1695J	Washer 1/2" x 1/4" - 11 Ga.
14	1696J	Washer 1/2" x 1/4" - 11 Ga.
15	1697J	Washer 1/2" x 1/4" - 11 Ga.
16	1698J	Washer 1/2" x 1/4" - 11 Ga.
17	1699J	Washer 1/2" x 1/4" - 11 Ga.
18	2012P	Seat, Hex Head 5/16" - 18 x 1/2
19	2013P	Seat, Hex Head 5/16" - 18 x 1/2
20	2014P	Seat, Hex Head 5/16" - 18 x 1/2
21	2015P	Seat, Hex Head 5/16" - 18 x 1/2
22	2016P	Seat, Hex Head 5/16" - 18 x 1/2
23	1790J	Washer 1/2" x 1/4" - 11 Ga.
24	6712P	Washer 1/2" x 1/4" - 11 Ga.
25	6713P	Washer 1/2" x 1/4" - 11 Ga.
26	6714P	Washer 1/2" x 1/4" - 11 Ga.
27	1798	Washer 3/8" x 1/4" - 11 Ga.
28	1799	Washer 3/8" x 1/4" - 11 Ga.
29	1800	Washer 3/8" x 1/4" - 11 Ga.
30	1801	Washer 3/8" x 1/4" - 11 Ga.
31	1802	Washer 3/8" x 1/4" - 11 Ga.
32	1803	Washer 3/8" x 1/4" - 11 Ga.
33	1804	Washer 3/8" x 1/4" - 11 Ga.
34	1805	Washer 3/8" x 1/4" - 11 Ga.
35	1806	Washer 3/8" x 1/4" - 11 Ga.
36	1807	Washer 3/8" x 1/4" - 11 Ga.
37	1808	Washer 3/8" x 1/4" - 11 Ga.
38	1809	Washer 3/8" x 1/4" - 11 Ga.
39	1810	Washer 3/8" x 1/4" - 11 Ga.
40	1811	Washer 3/8" x 1/4" - 11 Ga.
41	1812	Washer 3/8" x 1/4" - 11 Ga.
42	1813	Washer 3/8" x 1/4" - 11 Ga.
43	1814	Washer 3/8" x 1/4" - 11 Ga.
44	1815	Washer 3/8" x 1/4" - 11 Ga.
45	1816	Washer 3/8" x 1/4" - 11 Ga.
46	1817	Washer 3/8" x 1/4" - 11 Ga.
47	1818	Washer 3/8" x 1/4" - 11 Ga.
48	1819	Washer 3/8" x 1/4" - 11 Ga.
49	1820	Washer 3/8" x 1/4" - 11 Ga.
50	1821	Washer 3/8" x 1/4" - 11 Ga.
51	1822	Washer 3/8" x 1/4" - 11 Ga.
52	1823	Washer 3/8" x 1/4" - 11 Ga.
53	1824	Washer 3/8" x 1/4" - 11 Ga.
54	1825	Washer 3/8" x 1/4" - 11 Ga.
55	1826	Washer 3/8" x 1/4" - 11 Ga.
56	1827	Washer 3/8" x 1/4" - 11 Ga.
57	1828	Washer 3/8" x 1/4" - 11 Ga.
58	1829	Washer 3/8" x 1/4" - 11 Ga.
59	1830	Washer 3/8" x 1/4" - 11 Ga.
60	1831	Washer 3/8" x 1/4" - 11 Ga.
61	1832	Washer 3/8" x 1/4" - 11 Ga.
62	1833	Washer 3/8" x 1/4" - 11 Ga.
63	1834	Washer 3/8" x 1/4" - 11 Ga.
64	1835	Washer 3/8" x 1/4" - 11 Ga.
65	1836	Washer 3/8" x 1/4" - 11 Ga.
66	1837	Washer 3/8" x 1/4" - 11 Ga.
67	1838	Washer 3/8" x 1/4" - 11 Ga.
68	1839	Washer 3/8" x 1/4" - 11 Ga.
69	1840	Washer 3/8" x 1/4" - 11 Ga.
70	1841	Washer 3/8" x 1/4" - 11 Ga.
71	1842	Washer 3/8" x 1/4" - 11 Ga.
72	1843	Washer 3/8" x 1/4" - 11 Ga.

*STANDARD HARDWARE—PURCHASE LOCALLY

REPAIR PARTS

ELECTRIC & ENGINE



36" RIDING LAWN TRACTOR—MODEL NUMBER L0238AR

REPAIR PARTS

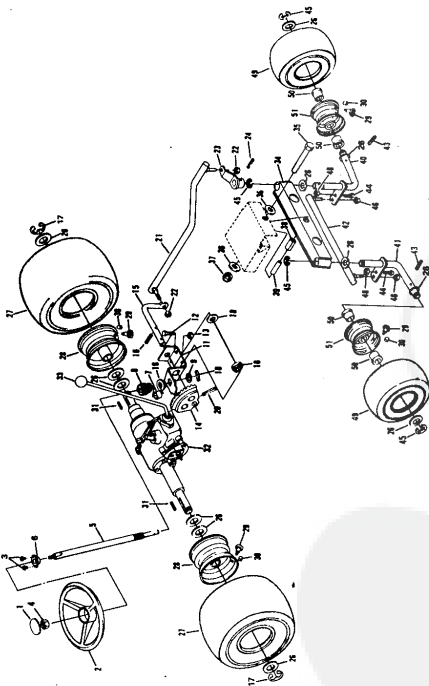
ELECTRIC & ENGINE

KEY NO.	PART NO.	DESCRIPTION
1	3228P	Screw, Machine Truss Head
2	6452R	Headlight Support
3	7307S	Headlight Support
4	5817	Headlight Support
5	5817	Headlight Support
6	7145P	Screw, Machine Phillips Head
7	3356P	Screw, Machine Phillips Head
8	3356P	Screw, Machine Phillips Head
9	1797J	Washer 1/2" x 1/4" - 11 Ga.
10	6558R	Washer 1/2" x 1/4" - 11 Ga.
11	6558R	Washer 1/2" x 1/4" - 11 Ga.
12	6558R	Washer 1/2" x 1/4" - 11 Ga.
13	6558R	Washer 1/2" x 1/4" - 11 Ga.
14	6558R	Washer 1/2" x 1/4" - 11 Ga.
15	6558R	Washer 1/2" x 1/4" - 11 Ga.
16	5384P	Washer 1/2" x 1/4" - 11 Ga.
17	1008P	Washer 1/2" x 1/4" - 11 Ga.
18	5384P	Washer 1/2" x 1/4" - 11 Ga.
19	5384P	Washer 1/2" x 1/4" - 11 Ga.
20	5384P	Washer 1/2" x 1/4" - 11 Ga.
21	2281	Washer 1/2" x 1/4" - 11 Ga.
22	10456	Washer 1/2" x 1/4" - 11 Ga.
23	10456	Washer 1/2" x 1/4" - 11 Ga.
24	10456	Washer 1/2" x 1/4" - 11 Ga.
25	10456	Washer 1/2" x 1/4" - 11 Ga.
26	10456	Washer 1/2" x 1/4" - 11 Ga.
27	10456	Washer 1/2" x 1/4" - 11 Ga.
28	10456	Washer 1/2" x 1/4" - 11 Ga.
29	10456	Washer 1/2" x 1/4" - 11 Ga.
30	10456	Washer 1/2" x 1/4" - 11 Ga.
31	10456	Washer 1/2" x 1/4" - 11 Ga.
32	10456	Washer 1/2" x 1/4" - 11 Ga.
33	10456	Washer 1/2" x 1/4" - 11 Ga.
34	10456	Washer 1/2" x 1/4" - 11 Ga.
35	10456	Washer 1/2" x 1/4" - 11 Ga.
36	10456	Washer 1/2" x 1/4" - 11 Ga.
37	67748R	Washer 1/2" x 1/4" - 11 Ga.
38	67748R	Washer 1/2" x 1/4" - 11 Ga.
39	67748R	Washer 1/2" x 1/4" - 11 Ga.
40	67748R	Washer 1/2" x 1/4" - 11 Ga.
41	67748R	Washer 1/2" x 1/4" - 11 Ga.
42	22707	Washer 1/2" x 1/4" - 11 Ga.
43	7768R	Washer 1/2" x 1/4" - 11 Ga.
44	2008P	Washer 1/2" x 1/4" - 11 Ga.
45	1008P	Washer 1/2" x 1/4" - 11 Ga.
46	1008P	Washer 1/2" x 1/4" - 11 Ga.
47	1008P	Washer 1/2" x 1/4" - 11 Ga.
48	1008P	Washer 1/2" x 1/4" - 11 Ga.
49	1008P	Washer 1/2" x 1/4" - 11 Ga.
50	1008P	Washer 1/2" x 1/4" - 11 Ga.
51	1008P	Washer 1/2" x 1/4" - 11 Ga.
52	1008P	Washer 1/2" x 1/4" - 11 Ga.
53	1008P	Washer 1/2" x 1/4" - 11 Ga.
54	1008P	Washer 1/2" x 1/4" - 11 Ga.
55	1008P	Washer 1/2" x 1/4" - 11 Ga.
56	1008P	Washer 1/2" x 1/4" - 11 Ga.
57	1008P	Washer 1/2" x 1/4" - 11 Ga.
58	1008P	Washer 1/2" x 1/4" - 11 Ga.
59	1008P	Washer 1/2" x 1/4" - 11 Ga.
60	1008P	Washer 1/2" x 1/4" - 11 Ga.
61	1008P	Washer 1/2" x 1/4" - 11 Ga.
62	1008P	Washer 1/2" x 1/4" - 11 Ga.
63	1008P	Washer 1/2" x 1/4" - 11 Ga.
64	1008P	Washer 1/2" x 1/4" - 11 Ga.
65	1008P	Washer 1/2" x 1/4" - 11 Ga.
66	1008P	Washer 1/2" x 1/4" - 11 Ga.
67	1008P	Washer 1/2" x 1/4" - 11 Ga.
68	1008P	Washer 1/2" x 1/4" - 11 Ga.
69	1008P	Washer 1/2" x 1/4" - 11 Ga.
70	1008P	Washer 1/2" x 1/4" - 11 Ga.
71	1008P	Washer 1/2" x 1/4" - 11 Ga.
72	1008P	Washer 1/2" x 1/4" - 11 Ga.

*STANDARD HARDWARE—PURCHASE LOCALLY

REPAIR PARTS

STEERING AND WHEELS



38" RIDING LAWN TRACTOR-MODEL NUMBER L0289AR

REPAIR PARTS

STEERING AND WHEELS

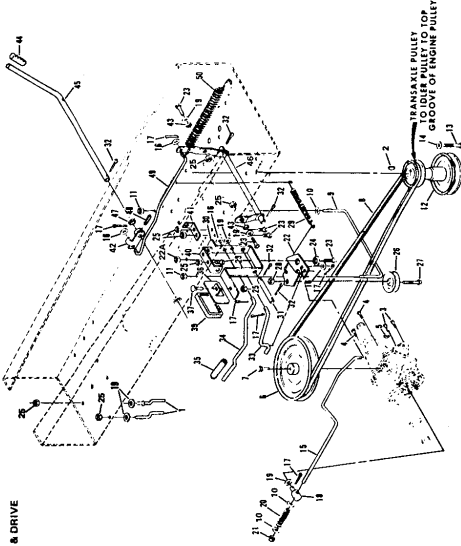
KEY NO.	PART NO.	DESCRIPTION
1	1114J	Steering Wheel Inset
2	506J	Steering Wheel, 9 1/2" Metal Screw
3	5014P	Hub, 1 1/2" Top All Ball
4	794191A	Transaxle Assembly Model 143.058A
5	1585J	Ball, Rec. Shaft
6	1585J	Bushing
7	1585J	Pinion Gear
8	74881	Pinion Gear, 1.175 x 1.1 Ga.
9	74881	Steering Bracket, 1.165 x .314
10	52379	Steering Pin, 3/16 x 18 x 3/4
11	74577	Steering Bracket, 1.165 x .314
12	52379	Steering Pin, 3/16 x 18 x 3/4
13	579P	Nut, Lock 5/16 - 18 UNC
14	1818P	Washer, 1.165 x .314
15	1326J	Steering Rod
16	71208	Bushing
17	71208	Bushing
18	1818P	Washer, 21/32 x 1.14 x 13 Ga.
19	73446	Drag Link, 3/8 x 24 x 16 Ga.
20	73446	Drag Link, 3/8 x 24 x 16 Ga.
21	71219	Steering Arm Assembly
22	71185	Steering Arm Assembly
23	71185	Steering Arm Assembly
24	5522P	Washer, 7/32 x 1.14 x 16 Ga.
25	5522P	Washer, 7/32 x 1.14 x 16 Ga.
26	5522P	Washer, 7/32 x 1.14 x 16 Ga.
27	71652	Tire (18.00 - 8.00 x 8)
28	71652	Tire

* STANDARD HARDWARE - PURCHASE LOCALLY

REPAIR PARTS

CLUTCH-BRAKE & DRIVE

38" RIDING LAWN TRACTOR-MODEL NUMBER L0289AR



REPAIR PARTS

CLUTCH-BRAKE & DRIVE

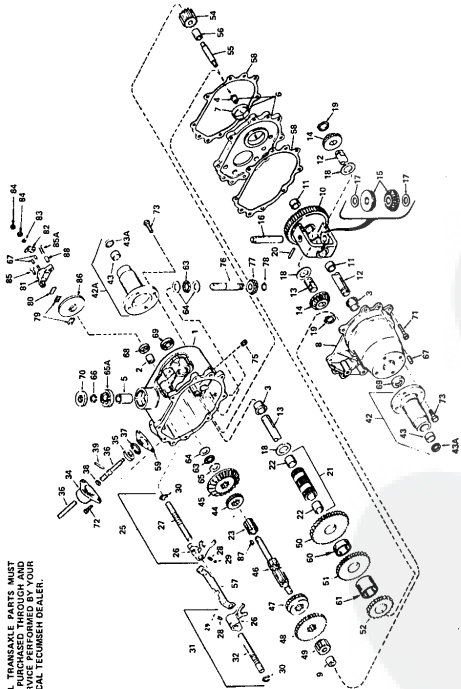
KEY NO.	PART NO.	DESCRIPTION
1	71200	Belt Guide
2	6503J	Key, Woodruff No. 6
3	6059P	5/16 - 18 x 7/8
4	6059P	Screw, Hex Head w/Washer
5	5265P	Washer, 1/2 - 13 x 3
6	6059P	Key, Woodruff No. 6
7	6059P	Screw, Machine w/Washer
8	73794	1/4 - 20 x 3/4 x .5
9	71241	Nut, Bolt Guide
10	71241	Washer, 1/2 - 13 x 3
11	545P	Locknut, 3/8 - 16 x 7/8 x 16 Ga.
12	71623	Sulley - Engine
13	71623	Sulley - Engine
14	1518P	Locknut, 3/8 - 16 x 7/8 x 16 Ga.
15	73792	3/8 - 24 x 1.24 Nylon Patch
16	73792	Brake Rod x 1.14 x 6 Ga.
17	73792	Washer, 3/32 x 24 x 16 Ga.
18	71238	Tension
19	71238	Tension
20	71239	Locknut w/Washer 3/8 - 16 UNC
21	591P	Brake Shoe
22	588P	Locknut w/Washer 5/16 - 18 UNC
23	30109	*Bolt, Hex Head 5/16 - 18 x 3.4
24	71202	Bushing
25	67400	*Nut, Lock 5/16 - 18 UNC
26	67400	*Bolt, Hex Head 2 - 8 - 16 x 1.12
27	5027P	Spring 16 Ga.
28	2044J	Spring 16 Ga.
29	2044J	Spring 16 Ga.
30	71223	Foot Shoe
31	71223	Foot Shoe
32	2506P	*Coner Pin, 1/8 x 1
33	2506P	*Coner Pin, 1/8 x 1
34	372J	Park Brake Rod
35	372J	Park Brake Rod
36	71222	Clutch Pedal
37	18P	*Bolt, Carriage 5/16 - 18 x 3.4
38	18P	*Bolt, Carriage 5/16 - 18 x 3.4
39	71189	Clutch Pedal
40	71189	Clutch Pedal
41	71189	Clutch Pedal
42	73229	Switch Bracket
43	71196	Spring
44	71196	Spring
45	71242	Clutch Handle
46	1518P	Clutch Arm Assembly
47	1518P	Clutch Arm Assembly
48	5223P	Spring Pin, 3/16 x 1
49	5223P	Spring Pin, 3/16 x 1
50	71248	Spring
51	71248	Spring

* STANDARD HARDWARE - PURCHASE LOCALLY

REPAIR PARTS

36" RIDING LAWN TRACTOR—MODEL NUMBER 143.658A
TRANSAXLE—MODEL NUMBER 143.658A

ALL TRANSAXLE PARTS MUST BE PURCHASED THROUGH AND SERVICE PERFORMED BY YOUR LOCAL TECHUMEN DEALER.



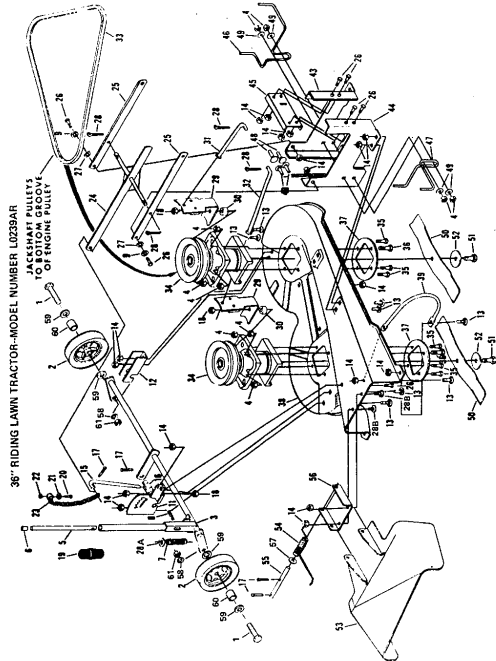
REPAIR PARTS

36" RIDING LAWN TRACTOR—MODEL NUMBER 143.658A
TRANSAXLE—MODEL NUMBER 143.658A

KEY NO.	PART NO.	DESCRIPTION
1	704191A	Complete Transaxle
2	704082	Gear Ax. V, Transaxle (Inc. No's 1, 2, 3 & 5)
3	704083	Shaft, Input
4	704084	Bearing, Input
5	704085	Bearing, Output
6	704086	Shaft, Output
7	704087	Gear, Output (15 Teeth)
8	704088	Gear, Intermediate (15 Teeth)
9	704089	Gear, Counter (15 Teeth)
10	704090	Shaft, Reverse Idler
11	704091	Stop Washer
12	704092	Washer, Thrust
13	704093	Washer, Thrust
14	704094	Washer, Thrust
15	704095	Washer, Thrust
16	704096	Washer, Thrust
17	704097	Washer, Thrust
18	704098	Washer, Thrust
19	704099	Washer, Thrust
20	704100	Washer, Thrust
21	704101	Washer, Thrust
22	704102	Washer, Thrust
23	704103	Washer, Thrust
24	704104	Washer, Thrust
25	704105	Washer, Thrust
26	704106	Washer, Thrust
27	704107	Washer, Thrust
28	704108	Washer, Thrust
29	704109	Washer, Thrust
30	704110	Washer, Thrust
31	704111	Washer, Thrust
32	704112	Washer, Thrust
33	704113	Washer, Thrust
34	704114	Washer, Thrust
35	704115	Washer, Thrust
36	704116	Washer, Thrust
37	704117	Washer, Thrust
38	704118	Washer, Thrust
39	704119	Washer, Thrust
40	704120	Washer, Thrust
41	704121	Washer, Thrust
42	704122	Washer, Thrust
43	704123	Washer, Thrust
44	704124	Washer, Thrust

REPAIR PARTS

MOVER



REPAIR PARTS

MOVER

KEY NO.	PART NO.	DESCRIPTION
1	3189P	Hex Bolt 3/8" x 2 1/4" x 3/4" Gr. 5
2	671A134	Washer, Thrust
3	671A135	Washer, Thrust
4	671A136	Washer, Thrust
5	671A137	Washer, Thrust
6	671A138	Washer, Thrust
7	671A139	Washer, Thrust
8	671A140	Washer, Thrust
9	671A141	Washer, Thrust
10	671A142	Washer, Thrust
11	671A143	Washer, Thrust
12	671A144	Washer, Thrust
13	671A145	Washer, Thrust
14	671A146	Washer, Thrust
15	671A147	Washer, Thrust
16	671A148	Washer, Thrust
17	671A149	Washer, Thrust
18	671A150	Washer, Thrust
19	671A151	Washer, Thrust
20	671A152	Washer, Thrust
21	671A153	Washer, Thrust
22	671A154	Washer, Thrust
23	671A155	Washer, Thrust
24	671A156	Washer, Thrust
25	671A157	Washer, Thrust
26	671A158	Washer, Thrust
27	671A159	Washer, Thrust
28	671A160	Washer, Thrust
29	671A161	Washer, Thrust
30	671A162	Washer, Thrust
31	671A163	Washer, Thrust
32	671A164	Washer, Thrust
33	671A165	Washer, Thrust
34	671A166	Washer, Thrust
35	671A167	Washer, Thrust
36	671A168	Washer, Thrust
37	671A169	Washer, Thrust
38	671A170	Washer, Thrust
39	671A171	Washer, Thrust
40	671A172	Washer, Thrust
41	671A173	Washer, Thrust
42	671A174	Washer, Thrust
43	671A175	Washer, Thrust
44	671A176	Washer, Thrust
45	671A177	Washer, Thrust
46	671A178	Washer, Thrust
47	671A179	Washer, Thrust
48	671A180	Washer, Thrust
49	671A181	Washer, Thrust
50	671A182	Washer, Thrust
51	671A183	Washer, Thrust
52	671A184	Washer, Thrust
53	671A185	Washer, Thrust
54	671A186	Washer, Thrust
55	671A187	Washer, Thrust
56	671A188	Washer, Thrust
57	671A189	Washer, Thrust
58	671A190	Washer, Thrust
59	671A191	Washer, Thrust
60	671A192	Washer, Thrust
61	671A193	Washer, Thrust

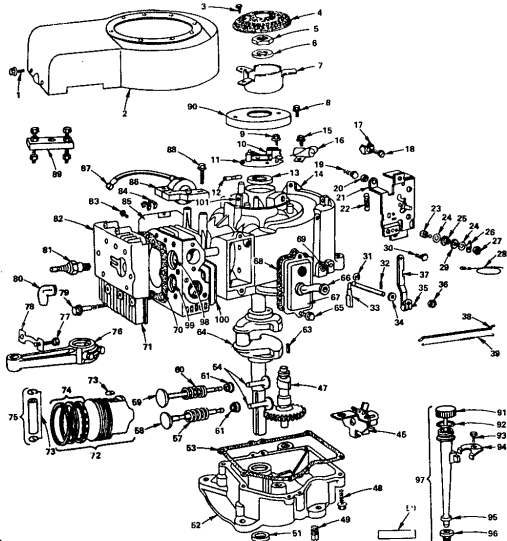
STANDARD HARDWARE PURCHASE LOCALLY

REPAIR PARTS

36" RIDING LAWN TRACTOR-MODEL NUMBER L0239AR
BRIGGS & STRATTON 10 H.P. ENGINE-MODEL NO. 220707, TYPE NO. 0134-01

CYLINDER, CRANKSHAFT AND ENGINE BASE GROUP

ALL ENGINE PARTS MUST BE PURCHASED THROUGH AND SERVICE PERFORMED BY YOUR LOCAL BRIGGS AND STRATTON DEALER.



REPAIR PARTS

36" RIDING LAWN TRACTOR-MODEL NUMBER L0239AR
BRIGGS & STRATTON 10 H.P. ENGINE-MODEL NO. 220707, TYPE NO. 0134-01

CYLINDER, CRANKSHAFT AND ENGINE BASE GROUP

KEY NO.	PART NO.	DESCRIPTION	KEY NO.	PART NO.	DESCRIPTION
1	93158	Screw - Blower Housing Mounting Sem	57	26829	Spring - Exhaust Valve
2	381566	Housing - Blower	58	231533	Valve - Exhaust
3	38098	Screw - Sem	59	261452	Valve - Intake
4	227562	Screen - Flush Rotating	60	65206	Spring - Intake Valve
5	92584	Nut - Hex	61	221596	Retainer - Intake Valve
6	229885	Washer - Spring	62	61760	Key - Flywheel
7	225641	Cap - Screw Mounting	63	61605	Crankshaft
8	93014	Screw - Sem	64	93304	Screw - Sem
9	93296	Cap - Screw Mounting	65	280100	Tube - Breather
10	26018	Spring - Breather Arm	67	391406	Breather Assembly
11	591984	Breaker As'y - Ignition (Inc. No. 10)	68	27803	Gasket - Valve Cover
12	65704	Puncher - Breaker Point	69	231055	Bushing - Gov. Crank (1 1/4" I.D.)
13	391085	Seal - Oil	70	271075	Gasket - Cylinder Head
14	393593	Cylinder As'y. (Inc. No. 13)	71	212366	Head - Cylinder
15	93042	Screw - Sem	72	391285	Piston As'y. - Standard (Inc. No.'s. 73 & 74)
16	391782	Condenser			
17	221535	Clamp - Gaining			
18	93496	Screw - Sem			
19	93688	Screw - Control Bracket Mounting	73	269924	Lock - Piston Pin
20	231038	Screw - Control Bracket Mounting	74	391780	Ring Set - Piston - Std.
21	390662	Plate - Gov. Control			
22	291306	Screw - Terminating			
23	91920	Screw - Lock - Shakeproof			
24	92151	Collar - Insulating	75	299951	Ring Set - Piston - 0.10" O.S.
25	66554	Nut - Hex B - 32			
26	93722	Washer - Ground	76	66560	Pin As'y. - Piston - Std. (Inc. No. 73)
27	90576	Nut - Hex B - 32			
28	391802	Washer - Insulating	77	391286	Pin As'y. - Piston - 0.02" O.S.
29	66088	Washer - Insulating	78	92920	Screw - Conn. Rod
30	93572	Retainer - E-Ring			
31	83307	Retainer - E-Ring			
32	83266	Collar - Insulating			
33	231058	Crank - Governor (1/4" Dia.)	80	66538	Elbow - Spark Plug
34	224450	Washer - Gov. Crank (1 1/4" I.D.)	81	293918	Plug - Spark (1 - 1/2" High - 37 - 42 MM)
35	92613	Ball - Governor Lever			
36	231082	Nut - Hex 10 - 24	82	222725	NOTE: Spark Plug use Ignition Cable Terminal No. 221286
37	391733	Link - Governor			
38	261198	Level As'y. - Governor (for 1/4" Dia. Crank) (Inc. No.'s. 35 & 36)	83	222726	Cover - Cylinder Head
39	261197	Spring - Governor Link	84	231007	Screw - Cylinder Head Mtg. Sem
40	931764	Oil Slinger - Gov. Gear & Bracket As'y.			
41	212796	Gear - Cam	85	221077	Clip - Wire
42	93586	Screw - Sump Mounting Sem			
43	91084	Plug - Oil Drain	86	289568	Armature As'y.
44	393411	Gasket - Seal	87	10299	Terminal - Ignition Cable
45	291875	Seal - Oil	88	63381	Screw - Armature Mounting Sem
46	391784	Sump - Oil (Inc. No.'s. 51 & 53)	89	61760	Filler - Flywheel
47	270828	*Gasket - Crankcase Cover - 1/64" Thick	90	222309	Cover - Breaker Point
48	270915	*Gasket - Crankcase Cover - .005" Thick	91	391841	Cap and Dipstick - Oil Filler
49	270916	*Gasket - Crankcase Cover - .009" Thick	92	270920	Seal - Filler Cap
50	261193	Tappet - Valve	93	93604	Screw - Clamp Mtg.
			94	225022	Clamp - Oil Filler Tube
			95	280134	Tube - Oil Filler
			96	68830	Seal - Filler Tube
			97	392057	Filler Group - Oil
			98	261463	Intake Valve Seat
			99	215681	Exhaust Valve Seat
			100	230881	Exhaust Valve Stem Guide
			101	29513	Puncher - Bushing

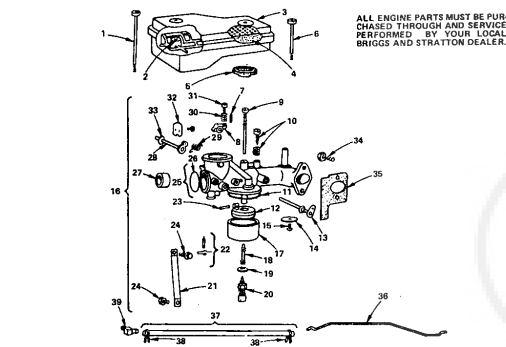
*STANDARD HARDWARE-PURCHASE LOCALLY

REPAIR PARTS

36" RIDING LAWN TRACTOR-MODEL NUMBER L0239AR
BRIGGS & STRATTON 10 H.P. ENGINE-MODEL NO. 220707, TYPE NO. 0134-01

AIR CLEANER AND CARBURETOR

ALL ENGINE PARTS MUST BE PURCHASED THROUGH AND SERVICE PERFORMED BY YOUR LOCAL BRIGGS AND STRATTON DEALER.



KEY NO.	PART NO.	DESCRIPTION	KEY NO.	PART NO.	DESCRIPTION
1	93323	Screw - Air Cleaner	24	93572	Screw
2	260118	Support - Air Cleaner Element	25	291787	Body As'y. - Carburetor (Inc. No. 26)
3	391786	Cleaner As'y. - Air (Inc. No.'s. 2 & 4)	26	221987	*Plug - Wash
4	270843	Element - Air Cleaner	27	211960	Venturi - Carburetor
5	270853	Gasket - Air Cleaner	28	360584	Shaft & Lever - Choke
6	93822	Screw - Air Cleaner	29	261116	Spring - Choke Return
7	93943	Pin - Throttle Stop	30	26157	Spring - Throttle Adjustment
8	211712	Stop - Throttle	31	91920	Screw - Machine, Fil. Hd. 8 - 32 x 5/8"
9	299740	Nozzle - Carburetor	32	222010	Valve - Choke
10	297861	Valve As'y. - Carburetor Idle	33	270382	Washer - Choke Shaft
11	270511	*Gasket - Float Bowl	34	93357	Screw - Carburetor Mtg.
12	299707	Float - Carburetor	35	270872	*Gasket - Carburetor Mtg.
13	391512	Shaft & Lever - Throttle	36	261274	LFA - Choke
14	222658	Valve - Throttle	37	298004	Pipe - Fuel (Inc. No. 38)
15	93499	Screw - Throttle & Choke Valve Mtg. Sem	38	93003	Clamp - Fuel Pipe
16	393410	Carburetor As'y. (Choke-A-Matic) (Inc. No.'s. 7 thru 33)	39	67218	Connector - Fuel Pipe
17	221985	Bowl - Float			
18	250932	*Screw - Nozzle			
19	222014	Washer - Float Bowl			
20	391238	Valve - Needle			
21	222311	Bracket - Carburetor			
22	290908	Valve - Fuel Inlet			
23	230898	*Pin - Float Hinge			

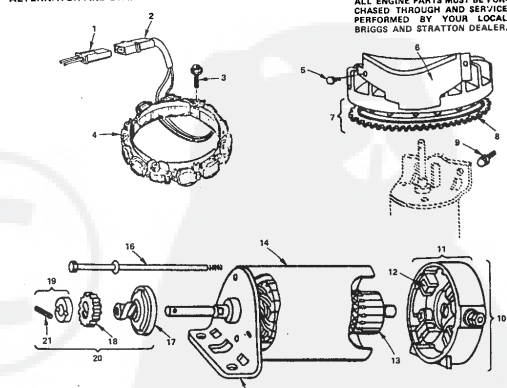
*INCLUDED IN CARBURETOR OVERHAUL KIT - PART NO. 298652
*INCLUDED IN GASKET SET - PART NO. 393411

REPAIR PARTS

36" RIDING LAWN TRACTOR-MODEL NUMBER L0239AR
BRIGGS & STRATTON 10 H.P. ENGINE-MODEL NO. 220707, TYPE NO. 0134-01

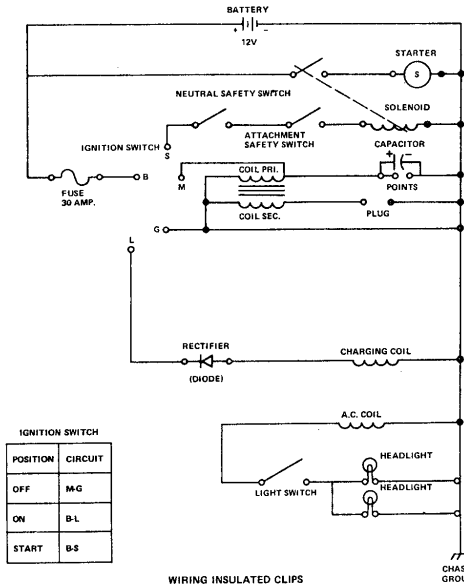
ALTERNATOR AND STARTER MOTOR GROUP

ALL ENGINE PARTS MUST BE PURCHASED THROUGH AND SERVICE PERFORMED BY YOUR LOCAL BRIGGS AND STRATTON DEALER.



KEY NO.	PART NO.	DESCRIPTION	KEY NO.	PART NO.	DESCRIPTION
1	393362	All. Harness Assembly	10	392749	Motor and Drive As'y. (12 Volts (Inc. No.'s. 11 thru 20)
2	393456	Diode and Conn. Assembly	11	390846	End Cap As'y., Commutator (Inc. No. 12)
3	93521	Screw - Sem			
4	393474	Stator - Alternator	12	391705	Brush As'y.
5	93410	Screw - Sem	13	392747	Armature As'y.
6	390233	Cover and Shield - Starter	14	392744	Housing As'y.
7	391968	Flywheel & Ring Gear As'y. - Magnet (Inc. No. 14)	15	392061	End Cap As'y., Drive
8	392134	Gear - Ring (Inc. Mounting Parts)	16	391705	Thru Bolt As'y.
9	93523	Screw - Sem	17	391125	Clutch As'y.
			18	280104	Gear
			19	391452	Retainer & Pin
			20	391461	Drive As'y. (Inc. No.'s. 17, 18 & 19)
			21	93754	Roll Pin

36" RIDING LAWN TRACTOR—MODEL NUMBER L0239AR
SCHEMATIC DIAGRAM

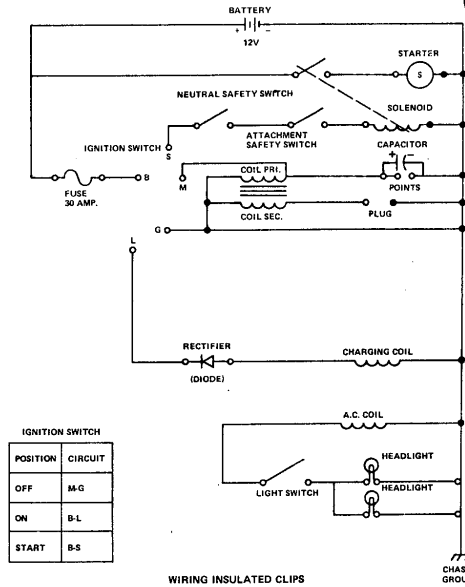


WIRING INSULATED CLIPS
If Insulated Clips were removed for servicing of unit, they should be replaced to properly secure your wiring. There are three Insulated Clips on your Tractor.

1. L.H. side of Tractor for safety switch wires (Key No. 28, page 14).
2. R.H. side of Tractor securing wire harness and cable wire (Key No. 31, page 14).
3. Headlight wire (Key No. 26, page 14).

REPAIR PARTS

36" RIDING LAWN TRACTOR—MODEL NUMBER L1219AR
SCHEMATIC DIAGRAM

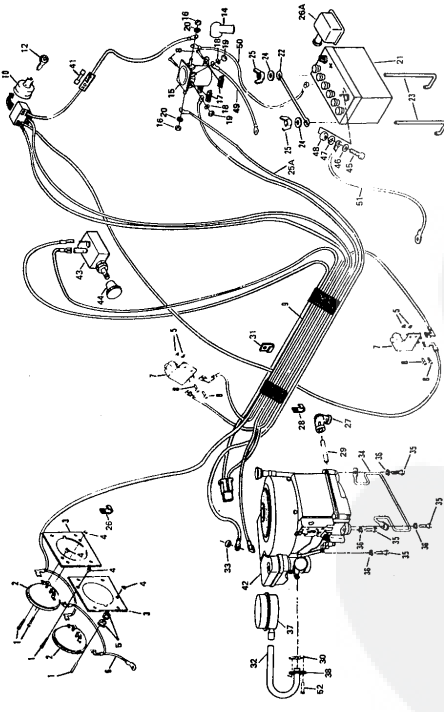


WIRING INSULATED CLIPS
If Insulated Clips were removed for servicing of unit, they should be replaced to properly secure your wiring. There are three Insulated Clips on your Tractor.

1. L.H. side of Tractor for safety switch wires (Key No. 28, page 14).
2. R.H. side of Tractor securing wire harness and cable wire (Key No. 31, page 14).
3. Headlight wire (Key No. 26, page 14).

36" RIDING LAWN TRACTOR—MODEL NUMBER L1219AR

REPAIR PARTS
ELECTRIC & ENGINE



36" RIDING LAWN TRACTOR—MODEL NUMBER L1219AR

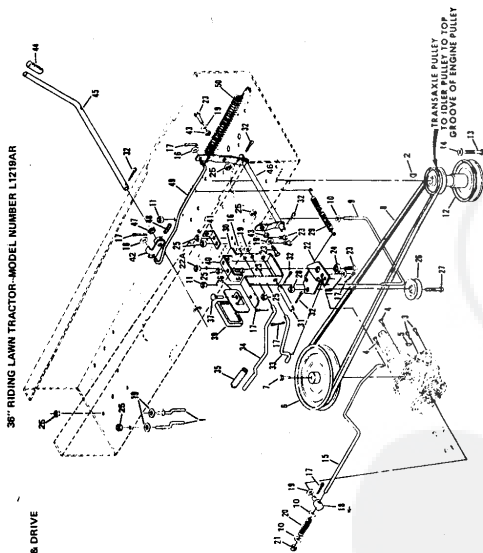
REPAIR PARTS
ELECTRIC & ENGINE

KEY NO.	PART NO.	DESCRIPTION
1	3220P	Spark Machine, Trust Head
2	6450R	Headlight, Square
4	4822A	Nut, Lock No. 10-24 UNC
5	7110S	Washer, Flat No. 10-24 UNC
6	7110S	Washer, Flat No. 10-24 UNC
7	7765R	Safety Switch
8	526P	Washer, Flat Phillips Head No. 10-24 x 1/2
9	526P	Washer, Flat Phillips Head No. 10-24 x 1/2
10	4492A	Ignition Switch (Inc. Ref. No. 12)
11	7567H	Key Set
12	7567H	Key Set
13	7567H	Key Set
14	7567H	Key Set
15	7764R	Solenoid
16	578P	Nut, Speed No. 10-24 UNC
17	578P	Nut, Speed No. 10-24 UNC
18	1006P	*Washer, Lock No. 10-24 UNF
19	1006P	*Washer, Lock No. 10-24 UNF
20	1006P	*Washer, Lock No. 10-24 UNF
21	6718T	*Lockwasher, S118
22	1507P	Battery Rod
23	1507P	Battery Rod
24	1507P	Battery Rod
25	577P	Wing Nut 1/4"-20 UNC
26	577P	Wing Nut 1/4"-20 UNC
27	2521R	Insulated Clip
28	2521R	Insulated Clip
29	2521R	Insulated Clip
30	8522R	Capacitor
31	6784R	Attachment Safety Switch
32	13380	Nut, Lock 1/4"-20 UNC
33	13380	Nut, Lock 1/4"-20 UNC
34	1786J	Ret. Keeper, 3/4" Dia. Rolling
35	5968P	Washer, Flat No. 3/8" x 1/2" x 1/2" Rolling
36	5968P	Washer, Flat No. 3/8" x 1/2" x 1/2" Rolling
37	877466	Muffler
38	1423	Exhaust Flange
39	1423	Exhaust Flange
40	252107	Engine - Briggs and Stratton 1, H.P. 1600 cc, 1700 cc (See pages 26 thru 28)
41	252107	Engine - Briggs and Stratton 1, H.P. 1600 cc, 1700 cc (See pages 26 thru 28)
42	252107	Engine - Briggs and Stratton 1, H.P. 1600 cc, 1700 cc (See pages 26 thru 28)
43	7763R	Light Switch
44	7764R	*Washer, Light Switch 1/4"
45	1506P	*Washer, Flat 3/8" x 1/8" Gd.
46	1506P	*Washer, Flat 3/8" x 1/8" Gd.
47	400P	*Nut 1/4"-20 UNC
48	400P	*Nut 1/4"-20 UNC
49	8027R	Washer, Ground Solenoid
50	8027R	Washer, Ground Solenoid
51	5983	Ground Clips (See 31, Gd. 5)
52	1897J	Washer, Flat 1/2" x 1/2" x 1/2" Rolling
53	1897J	Washer, Flat 1/2" x 1/2" x 1/2" Rolling
54	1897J	Washer, Flat 1/2" x 1/2" x 1/2" Rolling
55	1897J	Washer, Flat 1/2" x 1/2" x 1/2" Rolling
56	1897J	Washer, Flat 1/2" x 1/2" x 1/2" Rolling
57	1897J	Washer, Flat 1/2" x 1/2" x 1/2" Rolling
58	1897J	Washer, Flat 1/2" x 1/2" x 1/2" Rolling
59	1897J	Washer, Flat 1/2" x 1/2" x 1/2" Rolling
60	1897J	Washer, Flat 1/2" x 1/2" x 1/2" Rolling
61	1897J	Washer, Flat 1/2" x 1/2" x 1/2" Rolling
62	1897J	Washer, Flat 1/2" x 1/2" x 1/2" Rolling
63	1897J	Washer, Flat 1/2" x 1/2" x 1/2" Rolling
64	1897J	Washer, Flat 1/2" x 1/2" x 1/2" Rolling
65	1897J	Washer, Flat 1/2" x 1/2" x 1/2" Rolling
66	1897J	Washer, Flat 1/2" x 1/2" x 1/2" Rolling
67	1897J	Washer, Flat 1/2" x 1/2" x 1/2" Rolling
68	1897J	Washer, Flat 1/2" x 1/2" x 1/2" Rolling
69	1897J	Washer, Flat 1/2" x 1/2" x 1/2" Rolling
70	1897J	Washer, Flat 1/2" x 1/2" x 1/2" Rolling
71	1897J	Washer, Flat 1/2" x 1/2" x 1/2" Rolling
72	1897J	Washer, Flat 1/2" x 1/2" x 1/2" Rolling
73	1897J	Washer, Flat 1/2" x 1/2" x 1/2" Rolling
74	1897J	Washer, Flat 1/2" x 1/2" x 1/2" Rolling
75	1897J	Washer, Flat 1/2" x 1/2" x 1/2" Rolling
76	1897J	Washer, Flat 1/2" x 1/2" x 1/2" Rolling
77	1897J	Washer, Flat 1/2" x 1/2" x 1/2" Rolling
78	1897J	Washer, Flat 1/2" x 1/2" x 1/2" Rolling
79	1897J	Washer, Flat 1/2" x 1/2" x 1/2" Rolling
80	1897J	Washer, Flat 1/2" x 1/2" x 1/2" Rolling
81	1897J	Washer, Flat 1/2" x 1/2" x 1/2" Rolling
82	1897J	Washer, Flat 1/2" x 1/2" x 1/2" Rolling
83	1897J	Washer, Flat 1/2" x 1/2" x 1/2" Rolling
84	1897J	Washer, Flat 1/2" x 1/2" x 1/2" Rolling
85	1897J	Washer, Flat 1/2" x 1/2" x 1/2" Rolling
86	1897J	Washer, Flat 1/2" x 1/2" x 1/2" Rolling
87	1897J	Washer, Flat 1/2" x 1/2" x 1/2" Rolling
88	1897J	Washer, Flat 1/2" x 1/2" x 1/2" Rolling
89	1897J	Washer, Flat 1/2" x 1/2" x 1/2" Rolling
90	1897J	Washer, Flat 1/2" x 1/2" x 1/2" Rolling
91	1897J	Washer, Flat 1/2" x 1/2" x 1/2" Rolling
92	1897J	Washer, Flat 1/2" x 1/2" x 1/2" Rolling
93	1897J	Washer, Flat 1/2" x 1/2" x 1/2" Rolling
94	1897J	Washer, Flat 1/2" x 1/2" x 1/2" Rolling
95	1897J	Washer, Flat 1/2" x 1/2" x 1/2" Rolling
96	1897J	Washer, Flat 1/2" x 1/2" x 1/2" Rolling
97	1897J	Washer, Flat 1/2" x 1/2" x 1/2" Rolling
98	1897J	Washer, Flat 1/2" x 1/2" x 1/2" Rolling
99	1897J	Washer, Flat 1/2" x 1/2" x 1/2" Rolling
100	1897J	Washer, Flat 1/2" x 1/2" x 1/2" Rolling

*STANDARD HARDWARE—PURCHASE LOCALLY
OPTIONAL EQUIPMENT
Spark Arrestor/Muffler L1248AR

REPAIR PARTS

CLUTCH-BRAKE & DRIVE

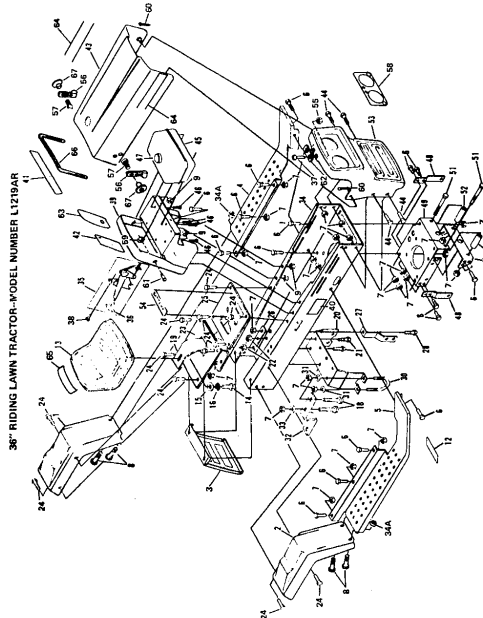


REF. NO.	PART NO.	DESCRIPTION
1	71000	Blk Guide
2	60599	Screw, Hex Head w/Washer
3	60599	Screw, Hex Head w/Washer
4	6000P	Washer, 1/2 x 1-1/8
5	52889	Pulley, 1/2 x 1-1/8
6	72842	Pulley, 1/2 x 1-1/8
7	60599	Screw, Hex Head w/Washer
8	72394	Washer, 1/2 x 1-1/8
9	1611P	Washer, 1/2 x 1-1/8
10	1611P	Washer, 1/2 x 1-1/8
11	71020	Screw, Machine w/Ext. Lockwasher
12	71020	Screw, Machine w/Ext. Lockwasher
13	6000P	Washer, 1/2 x 1-1/8
14	1610P	Washer, 1/2 x 1-1/8
15	1607P	Washer, 1/2 x 1-1/8
16	2000P	Washer, 1/2 x 1-1/8
17	1609P	Washer, 1/2 x 1-1/8
18	1609P	Washer, 1/2 x 1-1/8
19	1609P	Washer, 1/2 x 1-1/8
20	5100P	Washer, 1/2 x 1-1/8
21	71001	Washer, 1/2 x 1-1/8
22	71001	Washer, 1/2 x 1-1/8
23	500P	Spring

*STANDARD HARDWARE - PURCHASE LOCALLY

REPAIR PARTS

CHASSIS

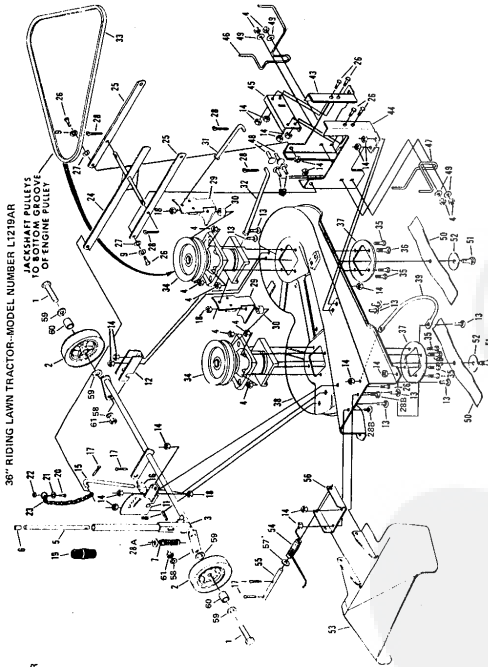


REF. NO.	PART NO.	DESCRIPTION
1	388U	Front B.R.H.
2	388U	Front B.R.H.
3	1538L	Rear Cover
4	1540L	Rear Cover
5	1540L	Rear Cover
6	571P	Nut, Lock 5/16 x 18 x 3/4
7	571P	Nut, Lock 5/16 x 18 x 3/4
8	3000P	Bolt, Hex Head 5/16 x 18 x 1/2
9	3000P	Bolt, Hex Head 5/16 x 18 x 1/2
10	1133L	Washer, 1/2 x 1-1/8
11	1133L	Washer, 1/2 x 1-1/8
12	1133L	Washer, 1/2 x 1-1/8
13	3042P	*Bolt, Hex Head 1/2 x 3 x 1
14	3042P	*Bolt, Hex Head 1/2 x 3 x 1
15	1569P	Washer 1/2 x 1-1/8
16	1569P	Washer 1/2 x 1-1/8
17	3012P	*Bolt, Hex Head 5/16 x 18 x 1-1/4 G.
18	3012P	*Bolt, Hex Head 5/16 x 18 x 1-1/4 G.
19	3012P	*Bolt, Hex Head 5/16 x 18 x 1-1/4 G.
20	7201P	Transaxle Support
21	3023P	*Bolt, Hex Head 3/8 x 18 x 1
22	3023P	*Bolt, Hex Head 3/8 x 18 x 1
23	1750L	Cover Plate, 3/4" Thick
24	5822P	Clutch Cover
25	6774P	Clutch Cover
26	6774P	Clutch Cover
27	71198	*Nut, Hex 5/16 x 18 x 1
28	71198	*Nut, Hex 5/16 x 18 x 1
29	71198	*Nut, Hex 5/16 x 18 x 1
30	71008	Washer, 5/16 x 3/4 x 11 G.
31	71008	Washer, 5/16 x 3/4 x 11 G.
32	1610P	Washer, 1/2 x 1-1/8
33	1610P	Washer, 1/2 x 1-1/8
34	582P	*Nut, Hex 5/16 x 18 x 1

*STANDARD HARDWARE - PURCHASE LOCALLY

REPAIR PARTS

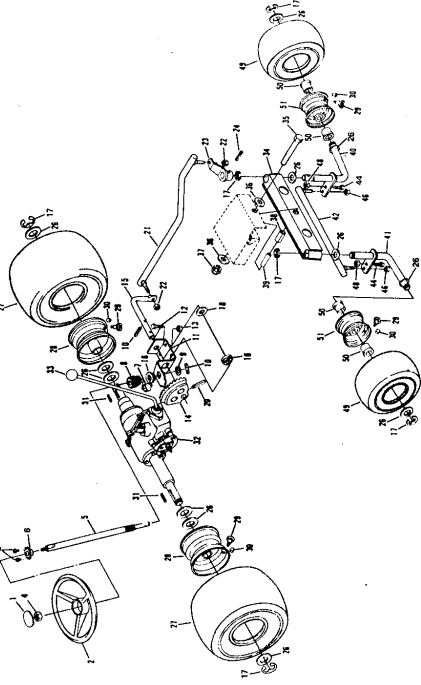
MOWER



38" RIDING LAWN TRACTOR—MODEL NUMBER L1219AR
JACKSHAF PULLEYS
TO BOTTOM GROOVE
OF ENGINE PULLEY

REPAIR PARTS

STEERING AND WHEELS



36" RIDING LAWN TRACTOR—MODEL NUMBER L1219AR

REPAIR PARTS

MOWER

36" RIDING LAWN TRACTOR—MODEL NUMBER L1219AR

REF. NO.	PART NO.	DESCRIPTION	REF. NO.	PART NO.	DESCRIPTION
1	3198P	Hex Bolt 3/8" x 2 1/2" - 24 Gr. 5	29	877A46	Brake Assembly
2	877A134	Front Rod Assembly	30	506J	Steering Wheel
3	165J1	Roller	31	71525	Brake Rod - R.H.
4	849R	Roller	32	71524	Brake Rod - L.H.
5	165J1	Cap - Lever Plunger	33	794151A	Transaxle Assembly Model 143.68A (See Pages 24 and 25)
6	849R	Roller	34	877A181	Jackshaft Assembly
7	82501R	Pin - Drive Lock	35	1554J	Steering Shaft
8	82501R	Pin - Drive Lock	36	1554J	Bushing
9	82501R	Pin - Drive Lock	37	1554J	Bushing
10	82501R	Pin - Drive Lock	38	74851	Rear Axle
11	72537	Outboard 11/32" x 3/4" x 16 Gr. 5	39	71188	Pin - Spool
12	87327	Pin - Rod Support 1/8" - 16 Gr. 5	40	72327	Kingpin Assembly - R.H.
13	87327	Pin - Rod Support 1/8" - 16 Gr. 5	41	72327	Kingpin Assembly - L.H.
14	925P	Nut - Lock 5/16" - 18 UNC	42	72327	Kingpin Assembly - R.H.
15	925P	Nut - Lock 5/16" - 18 UNC	43	72327	Kingpin Assembly - L.H.
16	71301	Trailing Arm Rod	44	72327	Kingpin Assembly - R.H.
17	8002P	Cover Pin 3/32" x 3/4"	45	72327	Kingpin Assembly - L.H.
18	1447J	Grp. Handle - 2 1/2" x 1/4" - 20 x 1	46	582P	Washer 27/32" x 1 - 1/4" x 13 Gr.
19	1447J	Grp. Handle - 2 1/2" x 1/4" - 20 x 1	47	1515P	Washer 27/32" x 1 - 1/4" x 13 Gr.
20	925P	Nut - Hex Lock 5/16" - 18 UNC	48	1515P	Washer 27/32" x 1 - 1/4" x 13 Gr.
21	925P	Nut - Hex Lock 5/16" - 18 UNC	49	50005	Bushing
22	925P	Nut - Hex Lock 5/16" - 18 UNC	50	50005	Bushing
23	2010P	Parallel Rod Assembly	51	50005	Bushing
24	2010P	Parallel Rod Assembly	52	50005	Bushing
25	2010P	Parallel Rod Assembly	53	63754	Blade - Her Heat/Washer - Nylon Patch
26	2010P	Parallel Rod Assembly	54	63754	Blade - Her Heat/Washer - Nylon Patch
27	21515	Spacer Pin 1/8" x 1"	55	877A89	Deflector (Discharge Guard)
28	21515	Spacer Pin 1/8" x 1"	56	71526	Deflector Spring
29	1616P	Washer 15/32" x 3/4" x 16 Gr.	57	1616P	Bracket-Deflector
30	1616P	Washer 15/32" x 3/4" x 16 Gr.	58	1616P	Lockwasher 3/8"
31	1616P	Washer 15/32" x 3/4" x 16 Gr.	59	1616P	Lockwasher 3/8"
32	1616P	Washer 15/32" x 3/4" x 16 Gr.	60	1616P	Lockwasher 3/8"
33	1616P	Washer 15/32" x 3/4" x 16 Gr.	61	515P	Her Nut 3/8" - 24 UNF

* STANDARD HARDWARE—PURCHASE LOCALLY

REPAIR PARTS

STEERING AND WHEELS

36" RIDING LAWN TRACTOR—MODEL NUMBER L1219AR

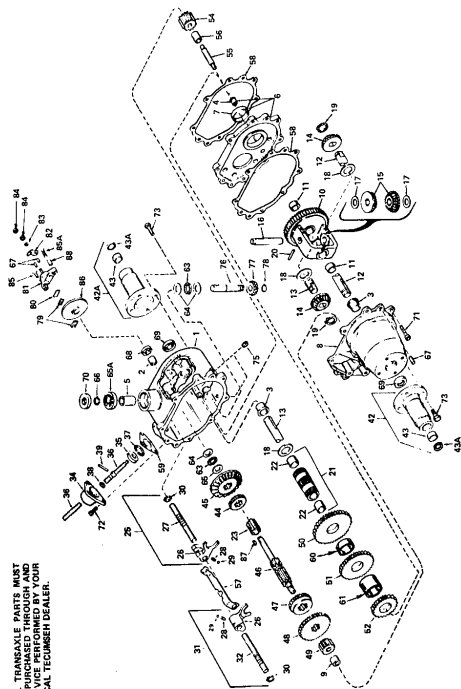
REF. NO.	PART NO.	DESCRIPTION	REF. NO.	PART NO.	DESCRIPTION
1	1114J	Steering Wheel Insert	29	86139	Valve Stem
2	506J	Steering Wheel	30	59192	Valve Cup
3	506J	Steering Wheel	31	794151A	Transaxle Assembly Model 143.68A (See Pages 24 and 25)
4	506J	Steering Wheel	32	794151A	Transaxle Assembly Model 143.68A (See Pages 24 and 25)
5	1554J	Bushing	33	55862	Rocker Bar Assembly - L.H.
6	1554J	Bushing	34	877A81	Rocker Bar Assembly - R.H.
7	1554J	Bushing	35	877A81	Rocker Bar Assembly - L.H.
8	74851	Rear Axle	36	1813P	Washer 17/32" x 7/8" x 16 Gr.
9	74851	Rear Axle	37	87151	Nut - Lock 1/2" - 13 UNC
10	5237P	Spring Pin 3/16" x 1"	38	87151	Nut - Lock 1/2" - 13 UNC
11	5237P	Spring Pin 3/16" x 1"	39	71188	Pin - Spool
12	5237P	Spring Pin 3/16" x 1"	40	72327	Kingpin Assembly - R.H.
13	5237P	Spring Pin 3/16" x 1"	41	72327	Kingpin Assembly - L.H.
14	5237P	Spring Pin 3/16" x 1"	42	72327	Kingpin Assembly - R.H.
15	5237P	Spring Pin 3/16" x 1"	43	72327	Kingpin Assembly - L.H.
16	5237P	Spring Pin 3/16" x 1"	44	50219	Washer 27/32" x 1 - 1/4" x 13 Gr.
17	50005	Bushing	45	582P	Washer 27/32" x 1 - 1/4" x 13 Gr.
18	50005	Bushing	46	582P	Washer 27/32" x 1 - 1/4" x 13 Gr.
19	50005	Bushing	47	1515P	Washer 27/32" x 1 - 1/4" x 13 Gr.
20	50005	Bushing	48	1515P	Washer 27/32" x 1 - 1/4" x 13 Gr.
21	72446	Disc Lin. No. 38 - 24 UNF	49	50005	Bushing
22	72446	Disc Lin. No. 38 - 24 UNF	50	50005	Bushing
23	71188	Pin - Spool	51	50005	Bushing
24	71188	Pin - Spool			
25	1522P	Washer 25/32" x 1 - 1/4" x 16 Gr.			
26	1522P	Washer 25/32" x 1 - 1/4" x 16 Gr.			
27	1522P	Washer 25/32" x 1 - 1/4" x 16 Gr.			
28	1522P	Washer 25/32" x 1 - 1/4" x 16 Gr.			
29	1522P	Washer 25/32" x 1 - 1/4" x 16 Gr.			
30	1522P	Washer 25/32" x 1 - 1/4" x 16 Gr.			

* STANDARD HARDWARE—PURCHASE LOCALLY

REPAIR PARTS

36" RIDING LAWN TRACTOR-MODEL NUMBER L1219A
TRANSAKLE-MODEL NUMBER 143.658A

ALL TRANSAKLE PARTS MUST BE PURCHASED THROUGH YOUR LOCAL TECUMSEH DEALER.



REPAIR PARTS

36" RIDING LAWN TRACTOR-MODEL NUMBER L1219A
TRANSAKLE-MODEL NUMBER 143.658A

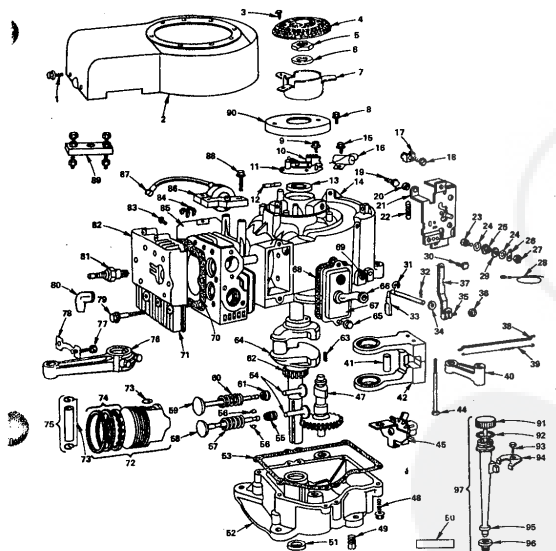
KEY NO.	PART NO.	DESCRIPTION
1	784913A	Complete Transakle
2	78003	Case Assy., Transakle (Inc. No's. 2, 3 & 9)
3	78008	Housing, Blower
4	78009	Bearing, Bronze
5	78001	Shaft, Input
6	78002	Bearing, Bronze
7	78003	Shaft, Output (Inc. No's. 4 & 7)
8	78004	Bearing, Bronze
9	78005	Shaft, Reverse (Inc. No's. 3 & 9)
10	78006	Case Assy., Differential (Inc. No. 11)
11	78007	Case Assy., Differential (Inc. No. 11)
12	78008	Case Assy., Differential (Inc. No. 11)
13	78009	Case Assy., Differential (Inc. No. 11)
14	78010	Case Assy., Differential (Inc. No. 11)
15	78011	Case Assy., Differential (Inc. No. 11)
16	78012	Case Assy., Differential (Inc. No. 11)
17	78013	Case Assy., Differential (Inc. No. 11)
18	78014	Case Assy., Differential (Inc. No. 11)
19	78015	Case Assy., Differential (Inc. No. 11)
20	78016	Case Assy., Differential (Inc. No. 11)
21	78017	Case Assy., Differential (Inc. No. 11)
22	78018	Case Assy., Differential (Inc. No. 11)
23	78019	Case Assy., Differential (Inc. No. 11)
24	78020	Case Assy., Differential (Inc. No. 11)
25	78021	Case Assy., Differential (Inc. No. 11)
26	78022	Case Assy., Differential (Inc. No. 11)
27	78023	Case Assy., Differential (Inc. No. 11)
28	78024	Case Assy., Differential (Inc. No. 11)
29	78025	Case Assy., Differential (Inc. No. 11)
30	78026	Case Assy., Differential (Inc. No. 11)
31	78027	Case Assy., Differential (Inc. No. 11)
32	78028	Case Assy., Differential (Inc. No. 11)
33	78029	Case Assy., Differential (Inc. No. 11)
34	78030	Case Assy., Differential (Inc. No. 11)
35	78031	Case Assy., Differential (Inc. No. 11)
36	78032	Case Assy., Differential (Inc. No. 11)
37	78033	Case Assy., Differential (Inc. No. 11)
38	78034	Case Assy., Differential (Inc. No. 11)
39	78035	Case Assy., Differential (Inc. No. 11)
40	78036	Case Assy., Differential (Inc. No. 11)
41	78037	Case Assy., Differential (Inc. No. 11)
42	78038	Case Assy., Differential (Inc. No. 11)
43	78039	Case Assy., Differential (Inc. No. 11)
44	78040	Case Assy., Differential (Inc. No. 11)
45	78041	Case Assy., Differential (Inc. No. 11)
46	78042	Case Assy., Differential (Inc. No. 11)
47	78043	Case Assy., Differential (Inc. No. 11)
48	78044	Case Assy., Differential (Inc. No. 11)
49	78045	Case Assy., Differential (Inc. No. 11)
50	78046	Case Assy., Differential (Inc. No. 11)
51	78047	Case Assy., Differential (Inc. No. 11)
52	78048	Case Assy., Differential (Inc. No. 11)
53	78049	Case Assy., Differential (Inc. No. 11)
54	78050	Case Assy., Differential (Inc. No. 11)
55	78051	Case Assy., Differential (Inc. No. 11)
56	78052	Case Assy., Differential (Inc. No. 11)
57	78053	Case Assy., Differential (Inc. No. 11)
58	78054	Case Assy., Differential (Inc. No. 11)
59	78055	Case Assy., Differential (Inc. No. 11)
60	78056	Case Assy., Differential (Inc. No. 11)
61	78057	Case Assy., Differential (Inc. No. 11)
62	78058	Case Assy., Differential (Inc. No. 11)
63	78059	Case Assy., Differential (Inc. No. 11)
64	78060	Case Assy., Differential (Inc. No. 11)
65	78061	Case Assy., Differential (Inc. No. 11)
66	78062	Case Assy., Differential (Inc. No. 11)
67	78063	Case Assy., Differential (Inc. No. 11)
68	78064	Case Assy., Differential (Inc. No. 11)
69	78065	Case Assy., Differential (Inc. No. 11)
70	78066	Case Assy., Differential (Inc. No. 11)
71	78067	Case Assy., Differential (Inc. No. 11)
72	78068	Case Assy., Differential (Inc. No. 11)
73	78069	Case Assy., Differential (Inc. No. 11)
74	78070	Case Assy., Differential (Inc. No. 11)
75	78071	Case Assy., Differential (Inc. No. 11)
76	78072	Case Assy., Differential (Inc. No. 11)
77	78073	Case Assy., Differential (Inc. No. 11)
78	78074	Case Assy., Differential (Inc. No. 11)
79	78075	Case Assy., Differential (Inc. No. 11)
80	78076	Case Assy., Differential (Inc. No. 11)
81	78077	Case Assy., Differential (Inc. No. 11)
82	78078	Case Assy., Differential (Inc. No. 11)
83	78079	Case Assy., Differential (Inc. No. 11)
84	78080	Case Assy., Differential (Inc. No. 11)
85	78081	Case Assy., Differential (Inc. No. 11)
86	78082	Case Assy., Differential (Inc. No. 11)
87	78083	Case Assy., Differential (Inc. No. 11)
88	78084	Case Assy., Differential (Inc. No. 11)
89	78085	Case Assy., Differential (Inc. No. 11)
90	78086	Case Assy., Differential (Inc. No. 11)
91	78087	Case Assy., Differential (Inc. No. 11)
92	78088	Case Assy., Differential (Inc. No. 11)
93	78089	Case Assy., Differential (Inc. No. 11)
94	78090	Case Assy., Differential (Inc. No. 11)
95	78091	Case Assy., Differential (Inc. No. 11)
96	78092	Case Assy., Differential (Inc. No. 11)
97	78093	Case Assy., Differential (Inc. No. 11)

REPAIR PARTS

36" RIDING LAWN TRACTOR-MODEL NUMBER L1219A
BRIGGS & STRATTON 11 H.P. ENGINE-MODEL NO. 252707, TYPE NO. 0172-01

CYLINDER, CRANKSHAFT AND ENGINE BASE GROUP

ALL ENGINE PARTS MUST BE PURCHASED THROUGH AND SERVICE PERFORMED BY YOUR LOCAL BRIGGS AND STRATTON DEALER.



REPAIR PARTS

36" RIDING LAWN TRACTOR-MODEL NUMBER L1219A
BRIGGS & STRATTON 11 H.P. ENGINE-MODEL NO. 252707, TYPE NO. 0172-01

CYLINDER, CRANKSHAFT AND ENGINE BASE GROUP

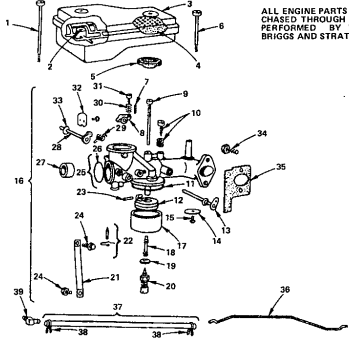
KEY NO.	PART NO.	DESCRIPTION	KEY NO.	PART NO.	DESCRIPTION
1	93158	Screw - Blower Housing Mounting Sem	51	991675	Seal - Oil
2	93159	Screw - Sem	52	391784	Sump - Oil (Inc. No's. 51 & 53)
3	93160	Screw - Flank Rotating	53	27068	Gasket - Crankcase Cover - 105" Thick
4	93161	Nut - Hex	54	27069	Gasket - Crankcase Cover - 105" Thick
5	93162	Washer - Spring	55	29250	Tapco Valve
6	93163	Screw - Mounting	56	29251	Retainer - Exhaust Valve
7	93164	Screw - Breaker Adjusting Sem	57	29252	Spring - Exhaust Valve
8	93165	Spring - Breaker Arm	58	29253	Valve - Exhaust
9	93166	Breaker Assy. - Ignition (Inc. No. 10)	59	29254	Valve - Intake
10	93167	Seal - Oil	60	29255	Retainer - Intake Valve
11	93168	Cylinder Assy. (Inc. No. 13)	61	391794	Key - Flywheel
12	93169	Condenser	62	391795	Crankshaft
13	93170	Screw - Sem	63	93394	Screw - Sem
14	93171	Clamp - Casing	64	203100	Tube - Breather
15	93172	Screw - Control Bracket Mounting	65	391408	Breather Assembly
16	93173	Screw - Control Bracket Mounting	66	27165	Gasket - Valve Cover
17	93174	Plate - Gov. Control	67	27166	Bushing - Gov. Crank (1/4" I.D.)
18	93175	Spring - Governor	68	27167	Gasket - Cylinder Head
19	93176	Screw - Terminal	69	112300	Head - Cylinder
20	93177	Washer - Lock - Shakeproof	70	391285	Piston Assy. - Standard (Inc. No's. 73 & 74)
21	93178	Collar - Insulating	71	391286	Piston Assy. - 010" O.S.
22	93179	Terminal - Spade	72	391287	Piston Assy. - 020" O.S.
23	93180	Nut - Hex 8-32	73	391288	Lock - Piston Pin
24	93181	Wire - Ground	74	391289	Ring Set - Piston - Std.
25	93182	Washer - Insulating	75	391290	Ring Set - Piston - 010" O.S.
26	93183	Screw	76	391291	Ring Set - Piston - 020" O.S.
27	93184	Cotter - Hair Pin	77	296691	Pin Assy. - Piston - Std. (Inc. No. 73)
28	93185	Crank - Governor (1/4" Dia.)	78	391775	Pin Assy. - Piston - 020" O.S.
29	93186	Soft - Governor Lever	79	92669	Rod Assy. - Connecting (Inc. 77 & 78)
30	93187	Nut - Hex 10-24	80	391776	Screw - Conn. Rod
31	93188	Lever Assy. - Governor (for 1/4" Dia. Crank) (Inc. No's. 35 & 36)	81	27259	Lock - Conn. Rod Screw
32	93189	Link - Governor	82	92723	Screw - Cylinder Head "Long"
33	93190	Spring - Governor Link	83	22963	Washer
34	211875	Link - Counterweight	84	66538	Elbow - Spark Plug
35	282805	Pin - Counterweight	85	298809	Plug - Spark (1 1/2" High; 3/4" x 1/2")
36	391373	Counterweight Assy. (Inc. No. 41)	86	227275	Terminal No. 271788
37	93175	Screw - Counterweight	87	227276	Terminal No. 271788
38	391764	Oil Slinger, Gov. Gear & Bracket Assy.	88	227277	Terminal No. 271788
39	212795	Gear - Cam	89	227278	Terminal No. 271788
40	93585	Screw - Sump Mounting Sem	90	227279	Terminal No. 271788
41	91054	Plug - Oil Drain	91	227280	Terminal No. 271788
42	393411	Gasket Set	92	227281	Terminal No. 271788
			93	227282	Terminal No. 271788
			94	227283	Terminal No. 271788
			95	227284	Terminal No. 271788
			96	227285	Terminal No. 271788
			97	227286	Terminal No. 271788

*STANDARD HARDWARE-PURCHASE LOCALLY

REPAIR PARTS

36" RIDING LAWN TRACTOR - MODEL NUMBER L1219AR
BRIGGS & STRATTON 11 H.P. ENGINE - MODEL NO. 252707, TYPE NO. 0172-01

AIR CLEANER AND CARBURETOR



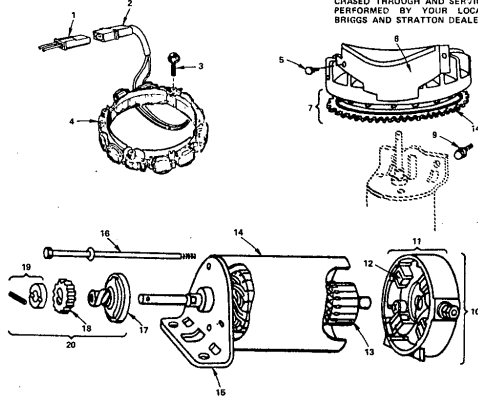
ALL ENGINE PARTS MUST BE PURCHASED THROUGH AND SERVICE PERFORMED BY YOUR LOCAL BRIGGS AND STRATTON DEALER.

KEY NO.	PART NO.	DESCRIPTION	KEY NO.	PART NO.	DESCRIPTION
1	93323	Screw - Air Cleaner	24	93572	Screw
2	280118	Support - Air Cleaner Element	25	391787	Body Ass'y. - Carburetor (Inc. No. 26)
3	391786	Cleaner Ass'y. - Air (Inc. No's. 2 & 4)	26	221997	*Plug - Wash
4	270843	Element - Air Cleaner	27	211960	Venturi - Carburetor
5	270853	Gasket - Air Cleaner	28	390894	Shaft & Lever - Choke
6	93322	Screw - Air Cleaner	29	261115	Spring - Choke Return
7	93043	Pin - Throttle Stop	30	26157	Spring - Throttle Adjustment
8	211712	Stop - Throttle	31	91520	Screw - Machine, Flat, Hd. 8 - 32 x 5/8"
9	296740	Nozzle - Carburetor	32	222010	Valve Choke
10	292681	*Valve Ass'y. - Carburetor Idle	33	270382	Washer - Choke Shaft
11	270811	*Gasket - Float Bowl	34	93321	Screw - Carburetor Mtg.
12	299707	Float - Carburetor	35	270872	*Gasket - Carburetor Mtg.
13	391512	Shaft & Lever - Throttle	36	291224	Link - Choke
14	222858	Valve - Throttle	37	296004	Pipe - Fuel (Inc. No. 38)
15	93499	Screw - Throttle & Choke Valve Mtg.	38	93053	Clamp - Fuel Pipe
16	393410	Carburetor Ass'y. (Choke-A-Matic) (Inc. No's. 7 thru 23)	39	67218	Connector - Fuel Pipe
17	221995	Bowl - Float			
18	230652	*Screw - Nozzle			*INCLUDED IN CARBURETOR OVERHAUL KIT - PART NO. 299852
19	222014	*Washer - Float Bowl			*INCLUDED IN GASKET SET - PART NO. 393411
20	391233	*Valve - Needle			
21	222311	Bracket - Carburetor			
22	299098	*Valve - Fuel Inlet			
23	230696	*Pin - Float Hinge			

REPAIR PARTS

36" RIDING LAWN TRACTOR - MODEL NUMBER L1219AR
BRIGGS & STRATTON 11 H.P. ENGINE - MODEL NO. 252707, TYPE NO. 0172-01

ALTERNATOR AND STARTER MOTOR GROUP

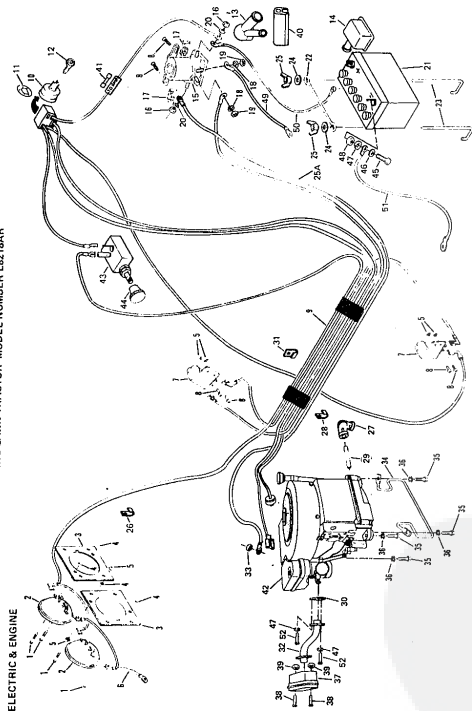


ALL ENGINE PARTS MUST BE PURCHASED THROUGH AND SERVICE PERFORMED BY YOUR LOCAL BRIGGS AND STRATTON DEALER.

KEY NO.	PART NO.	DESCRIPTION	KEY NO.	PART NO.	DESCRIPTION
1	393362	Alt. Harness Assembly	10	392749	Motor and Drive Ass'y. (12 Volt) (Inc. No's. 11 thru 20)
2	393456	Diode and Conn. Assembly	11	390846	End Cap Ass'y. Commutator (Inc. No. 12)
3	93621	Screw - Sem	12	391705	Brush Ass'y.
4	394474	Stator - Alternator	13	390233	Cover and Shield - Starter
5	53410	Screw - Sem	14	292744	Flywheel & Ring Gear Ass'y. - Magneto (Inc. No. 14)
6	390233	Cover and Shield - Starter	15	391705	Thru Bolt Ass'y.
7	391698	Flywheel & Ring Gear Ass'y. - Magneto (Inc. No. 14)	16	280104	Gear
8	393134	Gear - Ring (Inc. Mounting Parts)	17	391462	Retainer & Pin
9	93623	Screw - Sem	18	280104	Gear
			19	391461	Drive Ass'y. (Inc. No's. 17, 18 & 19)
			20	391461	Drive Ass'y. (Inc. No's. 17, 18 & 19)

REPAIR PARTS

ELECTRIC & ENGINE



REPAIR PARTS

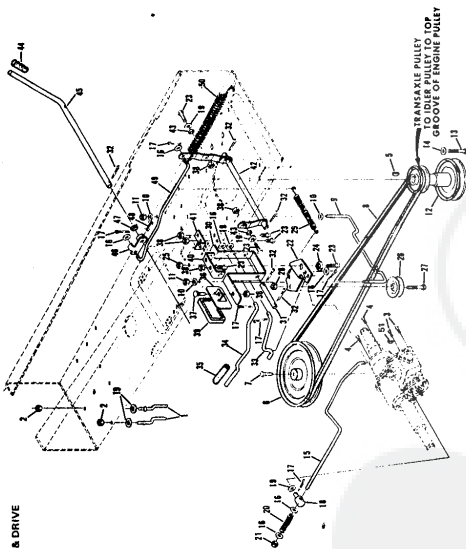
ELECTRIC & ENGINE

KEY NO.	PART NO.	DESCRIPTION	KEY NO.	PART NO.	DESCRIPTION
1	65421	Screw, Machine Truss Head	27	4017P	Sd. Elbow 90° 3/8 - 18 NPT
2	6452R	Washer, 1/2 x 1	28	3245R	Insulated Clip
3	23005	Headlight Support - 24	29	27144	Exhaust Gasket
4	661P	Nut, 1/2 x 10 - 24	30	72144	Exhaust Flange
5	661P	Nut, 1/2 x 10 - 24	31	74714	Exhaust Flange
6	7758R	Screw, Machine Phillips Head	32	59480	Nut, Lock 1/4 - 20
7	7758R	Screw, Machine Phillips Head	33	59480	Nut, Lock 1/4 - 20
8	3359P	Wire Harness	34	9368P	*Washer, Lock 3/8
9	478	Key - Set	35	1004P	Washer, Lock 3/8
10	6057R	Terminal Identifier	36	2715	Marbler
11	6057R	Terminal Identifier	37	2715	Marbler
12	2522H	Key - Set (Dual)	38	5492Z	Nut, Lock 5/16 - 18
13	2522H	Key - Set (Dual)	39	5492Z	Nut, Lock 5/16 - 18
14	252J	Terminal Cover	40	5347R	Flare - 20 Arms
15	5398R	Nut, Hex Jam 5/16 - 24	41	191707	Engine - Briggs and Stratton 8 H.P. (Inc. Paper 20 thru 28)
16	5398R	Nut, Hex Jam 5/16 - 24	42	7739R	Light Switch
17	608B1	Washer, 3/8 x 7/8 x .063	43	7739R	Light Switch
18	5439P	Nut, Hex No. 10 - 32	44	1506P	*Washer 9/32 x 5/8 x 1/8 Gh.
19	5439P	Nut, Hex No. 10 - 32	45	2003P	*Hex Nut 1/4 - 20 x 3/4
20	2282P	Washer, 3/8 x 7/8 x .063	46	8039P	*Hex Nut 1/4 - 20
21	2282P	Washer, 3/8 x 7/8 x .063	47	8039P	*Hex Nut 1/4 - 20
22	5714P	Washer, 3/8 x 7/8 x .063	48	8039P	*Hex Nut 1/4 - 20
23	5714P	Washer, 3/8 x 7/8 x .063	49	8039P	*Hex Nut 1/4 - 20
24	28A	Washer, 3/8 x 7/8 x .063	50	8039P	*Hex Nut 1/4 - 20
25	28A	Washer, 3/8 x 7/8 x .063	51	8039P	*Hex Nut 1/4 - 20
26	2521R	Insulated Clip	52	8039P	*Hex Nut 1/4 - 20

*STANDARD HARDWARE PURCHASE LOCALLY

REPAIR PARTS

36" RIDING LAWN TRACTOR—MODEL NUMBER LZ21BAR
CLUTCH BRAKE & DRIVE



REPAIR PARTS

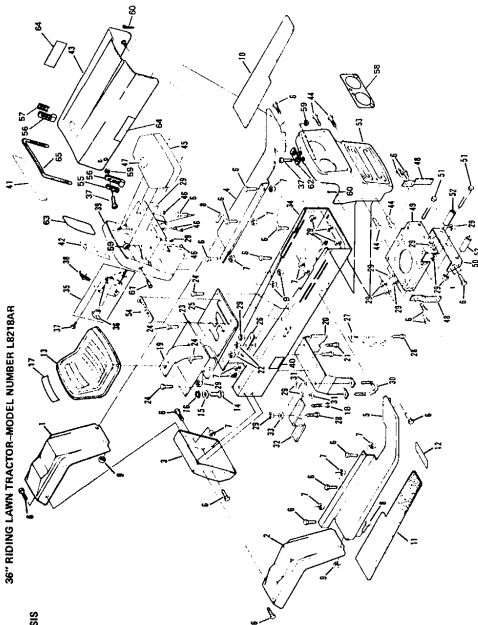
36" RIDING LAWN TRACTOR—MODEL NUMBER LZ21BAR
CLUTCH BRAKE & DRIVE

KEY PART NO.	DESCRIPTION	KEY PART NO.	DESCRIPTION
1	Roller Guide	23	*Nut, Hex Head 5/16 - 18 x 3/4
2	*Nut, Lock 5/16 - 18	24	Brake Pin
3	Screw, Hex Head w/Washer	25	*Nut, Lock 5/16 - 18
4	Screw, Hex Head w/Washer	26	*Nut, Hex Head 3/8 - 16 x 1 - 1/2
5	*Key, Woodruff No. 6	27	*Spring, 1.50" Dia. x 1.50" High
6	*Pulley, Transaxle	28	*Spring, 1.50" Dia. x 1.50" High
7	*Washer, 3/8 x .750 x .063	29	*Spring, 1.50" Dia. x 1.50" High
8	*Washer, 3/8 x .750 x .063	30	*Spring, 1.50" Dia. x 1.50" High
9	*Washer, 3/8 x .750 x .063	31	*Spring, 1.50" Dia. x 1.50" High
10	*Washer, 3/8 x .750 x .063	32	*Spring, 1.50" Dia. x 1.50" High
11	*Washer, 3/8 x .750 x .063	33	*Spring, 1.50" Dia. x 1.50" High
12	*Washer, 3/8 x .750 x .063	34	*Spring, 1.50" Dia. x 1.50" High
13	*Washer, 3/8 x .750 x .063	35	*Spring, 1.50" Dia. x 1.50" High
14	*Washer, 3/8 x .750 x .063	36	*Spring, 1.50" Dia. x 1.50" High
15	*Washer, 3/8 x .750 x .063	37	*Spring, 1.50" Dia. x 1.50" High
16	*Washer, 3/8 x .750 x .063	38	*Spring, 1.50" Dia. x 1.50" High
17	*Washer, 3/8 x .750 x .063	39	*Spring, 1.50" Dia. x 1.50" High
18	*Washer, 3/8 x .750 x .063	40	*Spring, 1.50" Dia. x 1.50" High
19	*Washer, 3/8 x .750 x .063	41	*Spring, 1.50" Dia. x 1.50" High
20	*Washer, 3/8 x .750 x .063	42	*Spring, 1.50" Dia. x 1.50" High
21	*Washer, 3/8 x .750 x .063	43	*Spring, 1.50" Dia. x 1.50" High
22	*Washer, 3/8 x .750 x .063	44	*Spring, 1.50" Dia. x 1.50" High

*STANDARD HARDWARE—PURCHASE LOCALLY

REPAIR PARTS

36" RIDING LAWN TRACTOR—MODEL NUMBER LZ21BAR
CHASSIS



REPAIR PARTS

36" RIDING LAWN TRACTOR—MODEL NUMBER LZ21BAR
CHASSIS

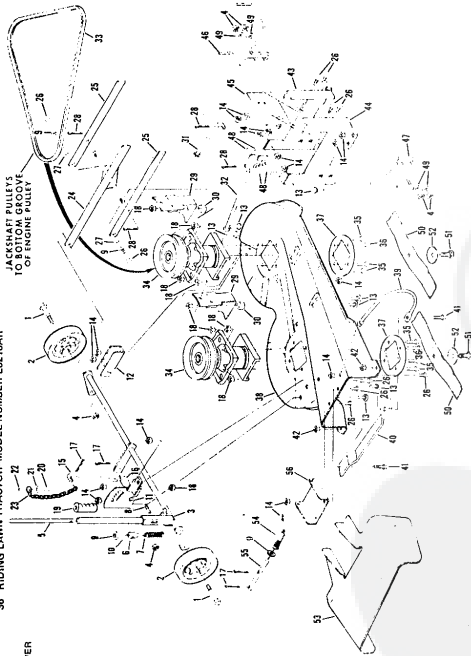
KEY PART NO.	DESCRIPTION	KEY PART NO.	DESCRIPTION
1	*Frame, L.H.	35	*Theft-Resistant Cover (H.C.)
2	*Frame, R.H.	36	*Theft-Resistant Cover (H.C.)
3	*Front Seat, L.H.	37	*Theft-Resistant Cover (H.C.)
4	*Front Seat, R.H.	38	*Theft-Resistant Cover (H.C.)
5	*Foot Rest, R.H.	39	*Theft-Resistant Cover (H.C.)
6	*Foot Rest, L.H.	40	*Theft-Resistant Cover (H.C.)
7	*Nut, Lock 5/16 - 18	41	*Theft-Resistant Cover (H.C.)
8	*Nut, Lock 5/16 - 18	42	*Theft-Resistant Cover (H.C.)
9	*Nut, Lock 5/16 - 18	43	*Theft-Resistant Cover (H.C.)
10	*Nut, Lock 5/16 - 18	44	*Theft-Resistant Cover (H.C.)
11	*Foot Rest Pad, R.H.	45	*Theft-Resistant Cover (H.C.)
12	*Foot Rest Pad, L.H.	46	*Theft-Resistant Cover (H.C.)
13	*Seat Spring	47	*Theft-Resistant Cover (H.C.)
14	*Seat Spring	48	*Theft-Resistant Cover (H.C.)
15	*Seat Spring	49	*Theft-Resistant Cover (H.C.)
16	*Seat Spring	50	*Theft-Resistant Cover (H.C.)
17	*Seat Spring	51	*Theft-Resistant Cover (H.C.)
18	*Seat Spring	52	*Theft-Resistant Cover (H.C.)
19	*Seat Spring	53	*Theft-Resistant Cover (H.C.)
20	*Seat Spring	54	*Theft-Resistant Cover (H.C.)
21	*Seat Spring	55	*Theft-Resistant Cover (H.C.)
22	*Seat Spring	56	*Theft-Resistant Cover (H.C.)
23	*Seat Spring	57	*Theft-Resistant Cover (H.C.)
24	*Seat Spring	58	*Theft-Resistant Cover (H.C.)
25	*Seat Spring	59	*Theft-Resistant Cover (H.C.)
26	*Seat Spring	60	*Theft-Resistant Cover (H.C.)
27	*Seat Spring	61	*Theft-Resistant Cover (H.C.)
28	*Seat Spring	62	*Theft-Resistant Cover (H.C.)
29	*Seat Spring	63	*Theft-Resistant Cover (H.C.)
30	*Seat Spring	64	*Theft-Resistant Cover (H.C.)
31	*Seat Spring	65	*Theft-Resistant Cover (H.C.)
32	*Seat Spring	66	*Theft-Resistant Cover (H.C.)
33	*Seat Spring	67	*Theft-Resistant Cover (H.C.)
34	*Seat Spring	68	*Theft-Resistant Cover (H.C.)

*STANDARD HARDWARE—PURCHASE LOCALLY

REPAIR PARTS

36" RIDING LAWN TRACTOR-MODEL NUMBER LB21BAR

MOWER



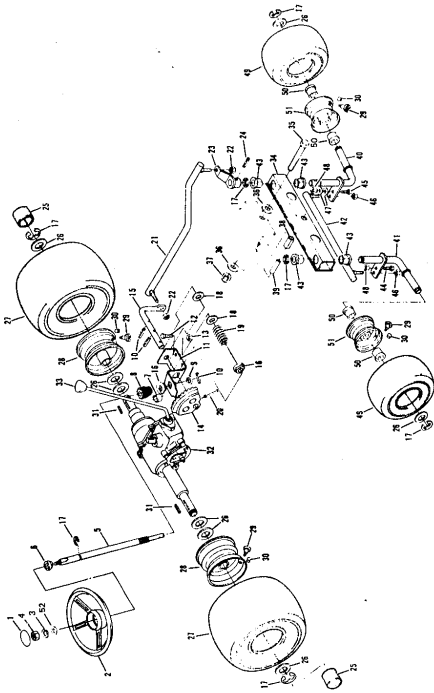
KEY NO.	PART NO.	DESCRIPTION
1	6053R	Axle Bolt
2	71071	Front Rod
3	71071	Front Rod Assembly
4	694A1	Nut, Lock 3/8 - 16
5	71071	Washer, 23/32 x 7/8 x .063
6	71071	Purser
7	71071	Spring Pin - Slotted 1/4 x 1 - 1/2
8	44990	Washer, 23/32 x 7/8 x .063
9	5999R	Washer, 23/32 x 7/8 x .063
10	72917	Cladent Assembly
11	72917	Cladent Assembly
12	517	Spring Pin - Slotted 1/4 x 1 - 1/2
13	517	Spring Pin - Slotted 1/4 x 1 - 1/2
14	6710R	Nut, Lock 5/16 - 18
15	6710R	Nut, Lock 5/16 - 18
16	71381	Tension
17	71381	Tension
18	71381	Tension
19	71381	Tension
20	71381	Tension
21	71381	Tension
22	71381	Tension
23	71381	Tension
24	71381	Tension
25	71381	Tension
26	71381	Tension
27	71381	Tension
28	71381	Tension

*STANDARD HARDWARE-PURCHASE LOCALLY

REPAIR PARTS

36" RIDING LAWN TRACTOR-MODEL NUMBER LB21BAR

STEERING & WHEELS

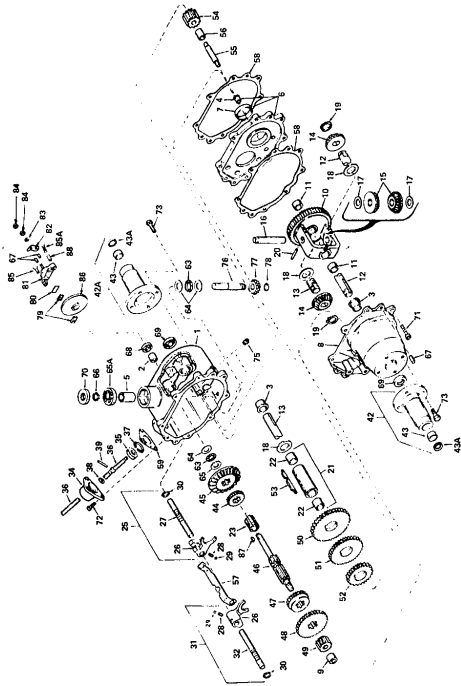


KEY NO.	PART NO.	DESCRIPTION
1	6053R	Axle Bolt
2	6053R	Axle Bolt
3	1000P	Steering Wheel
4	694A1	Nut, Lock 3/8 - 16
5	74279	Washer, 23/32 x 7/8 x .063
6	74279	Washer, 23/32 x 7/8 x .063
7	74279	Washer, 23/32 x 7/8 x .063
8	74279	Washer, 23/32 x 7/8 x .063
9	74279	Washer, 23/32 x 7/8 x .063
10	74279	Washer, 23/32 x 7/8 x .063
11	74279	Washer, 23/32 x 7/8 x .063
12	74279	Washer, 23/32 x 7/8 x .063
13	74279	Washer, 23/32 x 7/8 x .063
14	74279	Washer, 23/32 x 7/8 x .063
15	74279	Washer, 23/32 x 7/8 x .063
16	74279	Washer, 23/32 x 7/8 x .063
17	74279	Washer, 23/32 x 7/8 x .063
18	74279	Washer, 23/32 x 7/8 x .063
19	74279	Washer, 23/32 x 7/8 x .063
20	74279	Washer, 23/32 x 7/8 x .063
21	74279	Washer, 23/32 x 7/8 x .063
22	74279	Washer, 23/32 x 7/8 x .063
23	74279	Washer, 23/32 x 7/8 x .063
24	74279	Washer, 23/32 x 7/8 x .063
25	74279	Washer, 23/32 x 7/8 x .063
26	74279	Washer, 23/32 x 7/8 x .063
27	74279	Washer, 23/32 x 7/8 x .063
28	74279	Washer, 23/32 x 7/8 x .063

*STANDARD HARDWARE-PURCHASE LOCALLY

REPAIR PARTS

36" RIDING LAWN TRACTOR-MODEL NUMBER L8218AR
TRANSAKLE NO. 784191-MODEL NUMBER 143.658



REPAIR PARTS

36" RIDING LAWN TRACTOR-MODEL NUMBER L8218AR
TRANSAKLE NO. 784191-MODEL NUMBER 143.658

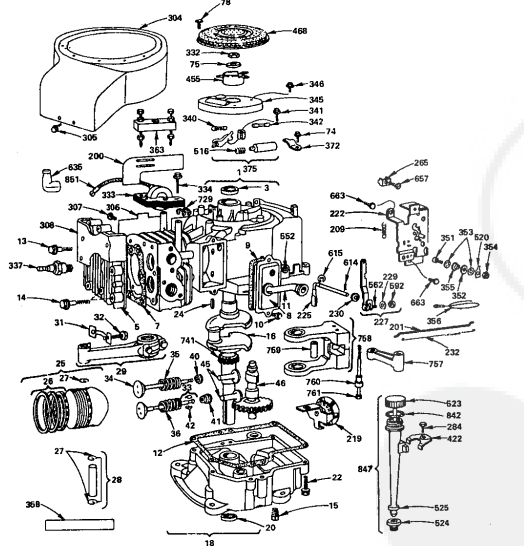
KEY NO.	PART NO.	DESCRIPTION	KEY NO.	PART NO.	DESCRIPTION
1	392005	Cylinder Assembly (Inc. Key No. 3)	227	391733	Lever Assy. - Governor (For 1/4" Dia. Crank)
2	391726	Bushing - Cylinder	229	220680	Washer - Flat
3	294606	Seal - Oil	230	224450	Washer - Gov. Lever (1 1/4" I.D.)
4	716224	Gasket - Valve Cover	232	260584	Spring - Governor Link
5	716230	Gasket - Valve Cover	265	221535	Clamp - Casing
6	391406	Breaker Tube Assembly	298	93084	Screw - Clamp Mtg.
7	278033	Gasket - Valve Cover	304	391379	Housing - Blower
8	93304	Screw - Sem	305	222830	Shield - Cylinder
9	280059	Tube - Breaker	307	93153	Screw - Blower Housing Mounting Sem
10	93304	Screw - Sem	308	222636	Screw - Cylinder Shield Mtg. Sem
11	27750	Thick	322	93284	Nut - Flywheel
12	27876	"Gasket - Crankcase Cover - 1/84"	333	239398	Armature Assembly
13	27877	Thin	334	93381	Screw - Armature Mounting Sem
14	93211	"Gasket - Crankcase Cover - .008"	337	233918	Plug - Spark (1 - 1/2" High - 38 M.M. Resistor)
15	93211	Thin	340	20218	NOTE: Ignition Cable Terminal No. 221798
16	93723	Screw - Cylinder Head (3" Long)	341	93381	Screw - Breaker Arm
17	91094	Plug - Oil Drain	342	65704	Plunger - Breaker Point
18	391752	Crankshaft	345	221117	Cover - Breaker Point
19	298516	Pump - Oil (Inc. Key No's. 12 & 20)	346	93014	Screw - Sem
20	298423	Seal - Oil	351	93755	Screw - Terminal
21	93085	Screw - Pump	352	69068	Washer - Insulating
22	61760	Key - Flywheel	353	93791	Washer - Lock Shakerproof
23	391673	Piston Assy. - Std.	354	96576	Nut - Hex 8 - 32
24	391674	Piston Assy. - .010" O.S.	355	96554	Collar - Insulating
25	391675	Piston Assy. - .020" O.S.	356	299500	Wire - Ground
26	391676	Piston Assy. - .030" O.S.	358	299577	Gasket Set
27	391688	Ring Set - Piston - Std.	363	19165	Pusher - Flywheel
28	299743	Ring Set - Piston - Std. Chrome	372	220477	Clamp - Condenser
29	391570	Ring Set - Piston - .010" O.S.	375	298428	Breaker Points and Condenser Set
30	391671	Ring Set - Piston - .020" O.S.	422	NOTE: 299081 Ignition Kit Includes 294626 Point Set, 65704 Plunger, 61760 Key, Flywheel	
31	391672	Ring Set - Piston - .030" O.S.	455	227561	Clamp - Oil Filler Tube
32	68546	Lock - Piston Pin	468	227562	Screen - Flush Rotating
33	205840	Pin Assembly - Piston - Standard	500	93722	Terminal Spade
34	285841	Pin Assembly - Piston - .005" O.S.	523	391840	Cap and O-Ring - Oil Filter
35	390402	Rod Assy. - Connecting	524	68838	Seal - Filler Tube
36	22114	Screw - Connecting Rod Screw	525	93013	Tube - Oil Filler
37	390419	Valve - Exhaust	562	231055	Bushing - Gov. Crank (1 1/4" I.D.)
38	281055	Valve - Intake	567	93103	Ball - Governor Lever
39	69906	Spring - Intake Valve	592	231082	Nut - Hex 10 - 24
40	221596	Retainer - Intake Valve	614	93306	Cotter - Hair Pin
41	282760	Rotocool - Exhaust Valve	615	93307	Retainer - E-Ring
42	93830	Rotocool - Exhaust Valve Rotocool	635	66538	Elbow - Spark Plug
43	290333	Tappet - Valve	657	93490	Screw - Sem
44	211689	Gear - Cam	663	93572	Screw
45	93042	Screw - Sems	729	22190	Clip - Wire
46	220698	Washer - Spring	741	281195	Gear - Timing
47	93830	Screw - Sem	757	211875	Link - Counterweight
48	221760	Guide - Air	768	390172	Counterweight Assy.
49	260711	Link - Governor	789	298909	Pin - Counterweight
50	261308	Spring - Governor	789	239840	Spacer - Counterweight
51	392718	Oil Slinger - Gov. Gear and Bracket Assembly	801	93874	Screw - Counterweight
52	390662	Plate - Gov. Control	842	270920	Seal - Filler Cap
53	231098	Crank - Gov. (1 1/4" Dia.)	842	392066	Filler Group - Oil
			851	221798	Terminal - Ignition Cable
					INCLUDED IN GASKET SET - PART NO. 299577

REPAIR PARTS

36" RIDING LAWN TRACTOR-MODEL NUMBER L8218AR
BRIGGS & STRATTON 8 H.P. ENGINE-MODEL NO. 191707, TYPE NO. 5627-01

CYLINDER, CRANKSHAFT AND ENGINE BASE GROUP

ALL ENGINE PARTS MUST BE PURCHASED THROUGH AND SERVICE PERFORMED BY YOUR LOCAL BRIGGS AND STRATTON DEALER.



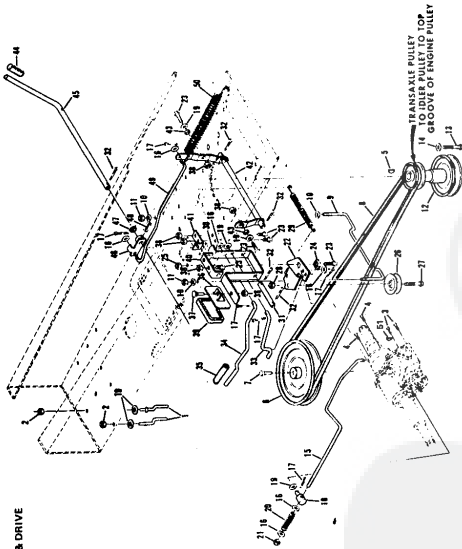
REPAIR PARTS

36" RIDING LAWN TRACTOR-MODEL NUMBER L8218AR
BRIGGS & STRATTON 8 H.P. ENGINE-MODEL NO. 191707, TYPE NO. 5627-01

KEY NO.	PART NO.	DESCRIPTION	KEY NO.	PART NO.	DESCRIPTION
1	392005	Cylinder Assembly (Inc. Key No. 3)	227	391733	Lever Assy. - Governor (For 1/4" Dia. Crank)
2	391726	Bushing - Cylinder	229	220680	Washer - Flat
3	294606	Seal - Oil	230	224450	Washer - Gov. Lever (1 1/4" I.D.)
4	716224	Gasket - Valve Cover	232	260584	Spring - Governor Link
5	716230	Gasket - Valve Cover	265	221535	Clamp - Casing
6	391406	Breaker Tube Assembly	298	93084	Screw - Clamp Mtg.
7	278033	Gasket - Valve Cover	304	391379	Housing - Blower
8	93304	Screw - Sem	305	222830	Shield - Cylinder
9	280059	Tube - Breaker	307	93153	Screw - Blower Housing Mounting Sem
10	93304	Screw - Sem	308	222636	Screw - Cylinder Shield Mtg. Sem
11	27750	Thick	322	93284	Nut - Flywheel
12	27876	"Gasket - Crankcase Cover - 1/84"	333	239398	Armature Assembly
13	27877	Thin	334	93381	Screw - Armature Mounting Sem
14	93211	"Gasket - Crankcase Cover - .008"	337	233918	Plug - Spark (1 - 1/2" High - 38 M.M. Resistor)
15	93211	Thin	340	20218	NOTE: Ignition Cable Terminal No. 221798
16	93723	Screw - Cylinder Head (3" Long)	341	93381	Screw - Breaker Arm
17	91094	Plug - Oil Drain	342	65704	Plunger - Breaker Point
18	391752	Crankshaft	345	221117	Cover - Breaker Point
19	298516	Pump - Oil (Inc. Key No's. 12 & 20)	346	93014	Screw - Sem
20	298423	Seal - Oil	351	93755	Screw - Terminal
21	93085	Screw - Pump	352	69068	Washer - Insulating
22	61760	Key - Flywheel	353	93791	Washer - Lock Shakerproof
23	391673	Piston Assy. - Std.	354	96576	Nut - Hex 8 - 32
24	391674	Piston Assy. - .010" O.S.	355	96554	Collar - Insulating
25	391675	Piston Assy. - .020" O.S.	356	299500	Wire - Ground
26	391676	Piston Assy. - .030" O.S.	358	299577	Gasket Set
27	391688	Ring Set - Piston - Std.	363	19165	Pusher - Flywheel
28	299743	Ring Set - Piston - Std. Chrome	372	220477	Clamp - Condenser
29	391570	Ring Set - Piston - .010" O.S.	375	298428	Breaker Points and Condenser Set
30	391671	Ring Set - Piston - .020" O.S.	422	NOTE: 299081 Ignition Kit Includes 294626 Point Set, 65704 Plunger, 61760 Key, Flywheel	
31	391672	Ring Set - Piston - .030" O.S.	455	227561	Clamp - Oil Filler Tube
32	68546	Lock - Piston Pin	468	227562	Screen - Flush Rotating
33	205840	Pin Assembly - Piston - Standard	500	93722	Terminal Spade
34	285841	Pin Assembly - Piston - .005" O.S.	523	391840	Cap and O-Ring - Oil Filter
35	390402	Rod Assy. - Connecting	524	68838	Seal - Filler Tube
36	22114	Screw - Connecting Rod Screw	525	93013	Tube - Oil Filler
37	390419	Valve - Exhaust	562	231055	Bushing - Gov. Crank (1 1/4" I.D.)
38	281055	Valve - Intake	567	93103	Ball - Governor Lever
39	69906	Spring - Intake Valve	592	231082	Nut - Hex 10 - 24
40	221596	Retainer - Intake Valve	614	93306	Cotter - Hair Pin
41	282760	Rotocool - Exhaust Valve	615	93307	Retainer - E-Ring
42	93830	Rotocool - Exhaust Valve Rotocool	635	66538	Elbow - Spark Plug
43	290333	Tappet - Valve	657	93490	Screw - Sem
44	211689	Gear - Cam	663	93572	Screw
45	93042	Screw - Sems	729	22190	Clip - Wire
46	220698	Washer - Spring	741	281195	Gear - Timing
47	93830	Screw - Sem	757	211875	Link - Counterweight
48	221760	Guide - Air	768	390172	Counterweight Assy.
49	260711	Link - Governor	789	298909	Pin - Counterweight
50	261308	Spring - Governor	789	239840	Spacer - Counterweight
51	392718	Oil Slinger - Gov. Gear and Bracket Assembly	801	93874	Screw - Counterweight
52	390662	Plate - Gov. Control	842	270920	Seal - Filler Cap
53	231098	Crank - Gov. (1 1/4" Dia.)	842	392066	Filler Group - Oil
			851	221798	Terminal - Ignition Cable
					INCLUDED IN GASKET SET - PART NO. 299577

REPAIR PARTS

36" RIDING LAWN TRACTOR-MODEL NUMBER L8218BR
CLUTCH-BRAKE & DRIVE



REPAIR PARTS

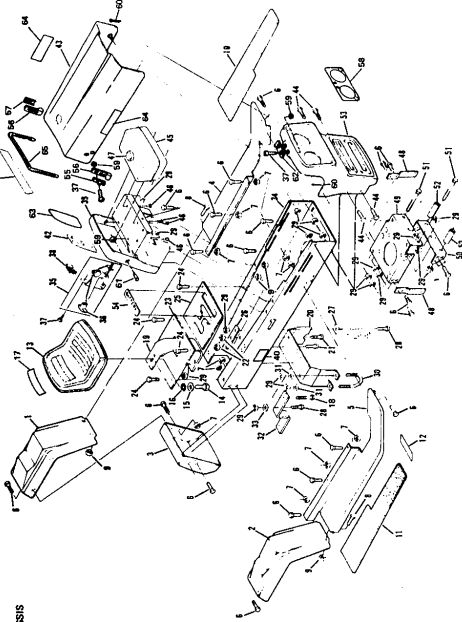
36" RIDING LAWN TRACTOR-MODEL NUMBER L8218BR
CLUTCH-BRAKE & DRIVE

KEY NO.	PART NO.	DESCRIPTION
1	2452	Nut, 5/16-18
2	2452	Nut, Lock 5/16-18
3	65205	Screw, Hex Head w/Washer
4	65206	Screw, Hex Head w/Washer
5	65203	Screw, Hex Head 3/8-16 x 1-1/2
6	2552	Pulley, Transaxle
7	65205	Washer, 3/8 x 1.003
8	65206	Washer, 3/8 x 1.003
9	71741	Washer, 3/8 x 1.250 x .201
10	51785	Washer, 3/8 x 1.250 x .201
11	65205	Washer, 3/8 x 1.003
12	71823	Pulley, Engine
13	68874	Washer, 3/8 x 1.250 x .201
14	67125	Washer, 3/8 x 1.250 x .201
15	53988	Washer, 3/8 x 1.250 x .201
16	53988	Washer, 3/8 x 1.250 x .201
17	71738	Washer, 3/8 x 1.250 x .201
18	71738	Washer, 3/8 x 1.250 x .201
19	53988	Washer, 3/8 x 1.250 x .201
20	62536	Nut, Lock 3/8-16
21	62536	Nut, Lock 3/8-16
22	71201	Washer

*STANDARD HARDWARE PURCHASE LOCALLY

REPAIR PARTS

36" RIDING LAWN TRACTOR-MODEL NUMBER L8218BR
CHASSIS



REPAIR PARTS

36" RIDING LAWN TRACTOR-MODEL NUMBER L8218BR
CHASSIS

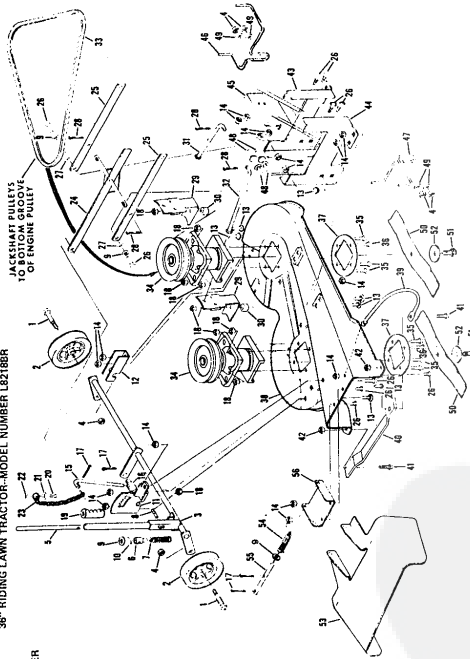
KEY NO.	PART NO.	DESCRIPTION
1	3884	Frame, L.H.
2	3884	Frame, R.H.
3	3884	Frame, L.H.
4	3884	Frame, R.H.
5	3884	Frame, L.H.
6	3884	Frame, R.H.
7	3884	Frame, L.H.
8	3884	Frame, R.H.
9	3884	Frame, L.H.
10	3884	Frame, R.H.
11	3884	Frame, L.H.
12	3884	Frame, R.H.
13	3884	Frame, L.H.
14	3884	Frame, R.H.
15	3884	Frame, L.H.
16	3884	Frame, R.H.
17	3884	Frame, L.H.
18	3884	Frame, R.H.
19	3884	Frame, L.H.
20	3884	Frame, R.H.
21	3884	Frame, L.H.
22	3884	Frame, R.H.
23	3884	Frame, L.H.
24	3884	Frame, R.H.
25	3884	Frame, L.H.
26	3884	Frame, R.H.
27	3884	Frame, L.H.
28	3884	Frame, R.H.
29	3884	Frame, L.H.
30	3884	Frame, R.H.
31	3884	Frame, L.H.
32	3884	Frame, R.H.
33	3884	Frame, L.H.
34	3884	Frame, R.H.
35	3884	Frame, L.H.
36	3884	Frame, R.H.
37	3884	Frame, L.H.
38	3884	Frame, R.H.
39	3884	Frame, L.H.
40	3884	Frame, R.H.
41	3884	Frame, L.H.
42	3884	Frame, R.H.
43	3884	Frame, L.H.
44	3884	Frame, R.H.
45	3884	Frame, L.H.
46	3884	Frame, R.H.
47	3884	Frame, L.H.
48	3884	Frame, R.H.
49	3884	Frame, L.H.
50	3884	Frame, R.H.
51	3884	Frame, L.H.
52	3884	Frame, R.H.
53	3884	Frame, L.H.
54	3884	Frame, R.H.
55	3884	Frame, L.H.
56	3884	Frame, R.H.
57	3884	Frame, L.H.
58	3884	Frame, R.H.
59	3884	Frame, L.H.
60	3884	Frame, R.H.
61	3884	Frame, L.H.
62	3884	Frame, R.H.
63	3884	Frame, L.H.
64	3884	Frame, R.H.
65	3884	Frame, L.H.
66	3884	Frame, R.H.
67	3884	Frame, L.H.
68	3884	Frame, R.H.
69	3884	Frame, L.H.
70	3884	Frame, R.H.
71	3884	Frame, L.H.
72	3884	Frame, R.H.
73	3884	Frame, L.H.
74	3884	Frame, R.H.
75	3884	Frame, L.H.
76	3884	Frame, R.H.
77	3884	Frame, L.H.
78	3884	Frame, R.H.
79	3884	Frame, L.H.
80	3884	Frame, R.H.
81	3884	Frame, L.H.
82	3884	Frame, R.H.
83	3884	Frame, L.H.
84	3884	Frame, R.H.
85	3884	Frame, L.H.
86	3884	Frame, R.H.
87	3884	Frame, L.H.
88	3884	Frame, R.H.
89	3884	Frame, L.H.
90	3884	Frame, R.H.
91	3884	Frame, L.H.
92	3884	Frame, R.H.
93	3884	Frame, L.H.
94	3884	Frame, R.H.
95	3884	Frame, L.H.
96	3884	Frame, R.H.
97	3884	Frame, L.H.
98	3884	Frame, R.H.
99	3884	Frame, L.H.
100	3884	Frame, R.H.

*STANDARD HARDWARE PURCHASE LOCALLY

REPAIR PARTS

36" RIDING LAWN TRACTOR—MODEL NUMBER L8218BR

MOWER

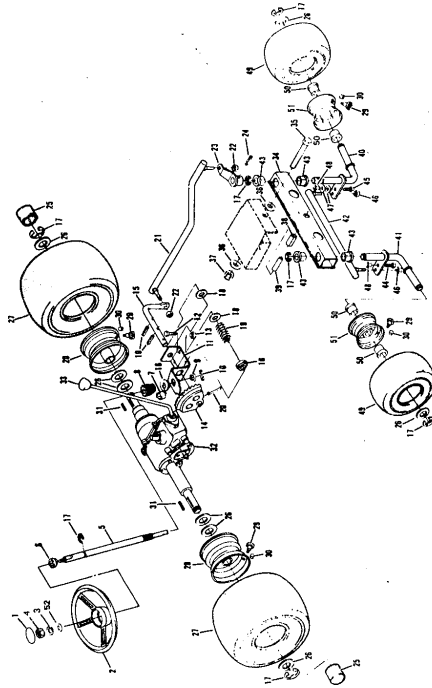


JACKSHAWT PULLEYS
OF ENGINE PULLEY

REPAIR PARTS

36" RIDING LAWN TRACTOR—MODEL NUMBER L8218BR

STEERING & WHEELS



REPAIR PARTS

36" RIDING LAWN TRACTOR—MODEL NUMBER L8218BR

MOWER

KEY NO.	PART NO.	DESCRIPTION	KEY NO.	PART NO.	DESCRIPTION
2	65528	Eye Bolt	20	71822	Ball, Carriage 3/8 x 18 x 3/4
3	71821	Pin, Rod Assembly	21	71823	Bracket, L.H.
4	71822	Lock 3/8 x 18	22	71824	Bracket, R.H.
5	73983	Lock 3/8 x 18	23	62920	Blade
6	71823	Blade	24	62921	Blade
7	71824	Blade	25	35231	Blade
8	54880	Spring Pin - Slotted 1/4 x 1-1/2	26	30227	Blade, Hex Head 3/8 x 16 x 1-1/2
9	54881	Spring Pin - Slotted 1/4 x 1-1/2	27	67743	Housing w/SH, Screening
10	52970	Spring Pin 1/8 x 5/8	28	67744	Housing w/SH, Screening
11	52971	Spring Pin 1/8 x 5/8	29	71825	Screw, Machine 5/16 - 18 x 7/8
12	62327	Power Rod Support	30	71826	Housing Bracket, L.H.
13	159	Pin	31	71827	Housing Bracket, R.H.
14	159	Pin	32	71828	Chamber
15	71300	Adjustment Rod	33	71829	Blade
16	62235	Blade	34	198	Blade
17	23759	Blade	35	71830	Blade
18	62235	Blade	36	71831	Blade
19	62235	Blade	37	71832	Blade
20	23759	Blade	38	71833	Blade
21	65329	Phillips Pan Hd. Machine Screw	39	71834	Blade
22	53800	Nut, Lock 1/2 - 20	40	71835	Blade
23	72915	Parallel Rod Assembly	41	71836	Blade
24	72915	Parallel Rod Assembly	42	71837	Blade
25	72915	Parallel Rod Assembly	43	71838	Blade
26	20109	Blade	44	71839	Blade
27	71815	Blade	45	71840	Blade
28	71815	Blade	46	71841	Blade
29	71815	Blade	47	71842	Blade
30	71815	Blade	48	71843	Blade
31	71815	Blade	49	71844	Blade
32	71815	Blade	50	71845	Blade
33	71815	Blade	51	71846	Blade
34	71815	Blade	52	71847	Blade
35	71815	Blade	53	71848	Blade
36	71815	Blade	54	71849	Blade
37	71815	Blade	55	71850	Blade
38	71815	Blade	56	71851	Blade

*STANDARD HARDWARE—PURCHASE LOCALLY

REPAIR PARTS

36" RIDING LAWN TRACTOR—MODEL NUMBER L8218BR

STEERING AND WHEELS

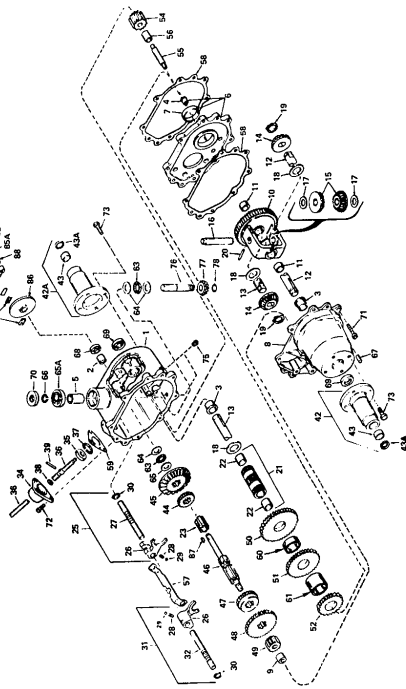
KEY NO.	PART NO.	DESCRIPTION	KEY NO.	PART NO.	DESCRIPTION
1	11141	Steering Wheel Inset	29	65139	Valve Stem
2	5001	Steering Wheel	30	50192	Valve Cap
3	5002	Steering Wheel	31	50193	Valve Cap
4	5003	Steering Wheel	32	78413 A	Transaxle Assembly, Aoshif 143,658A
5	5004	Steering Wheel	33	71207	Steering Knuckle
6	71210	Steering Shaft	34	71170	Steering Knuckle
7	71211	Steering Shaft	35	71171	Steering Knuckle
8	71212	Steering Shaft	36	59194	Washer, 5/16 x 3/8 x .003
9	69395	Steering Shaft	37	67109	Pin, Lock
10	69396	Steering Shaft	38	67110	Pin, Lock
11	30709	Steering Shaft	39	71188	Pin, Spacer
12	30710	Steering Shaft	40	71189	Pin, Spacer
13	30711	Steering Shaft	41	72337	Kingpin Assembly, R.H.
14	71172	Steering Shaft	42	71190	Steering Knuckle
15	71173	Steering Shaft	43	71191	Steering Knuckle
16	71208	Steering Shaft	44	30719	Ball, Hex Head 3/8 - 16 x 3/4
17	52913	E Ring 2 3/4 Shaft - 18 x 2 1/2	45	67882	Nut, Lock 5/16 - 24
18	52914	E Ring 2 3/4 Shaft - 18 x 2 1/2	46	67883	Nut, Lock 5/16 - 24
19	72988	Spring	47	67884	Nut, Lock 5/16 - 24
20	72989	Spring	48	67885	Nut, Lock 5/16 - 24
21	71210	Steering Shaft	49	67886	Nut, Lock 5/16 - 24
22	71211	Steering Shaft	50	67887	Nut, Lock 5/16 - 24
23	71212	Steering Shaft	51	67888	Nut, Lock 5/16 - 24
24	62073	Spring Pin 1/4 x 1-1/4	52	53822	Washer, 5/16 x 1.00 x .003
25	62074	Spring Pin 1/4 x 1-1/4			
26	19919	Blade			
27	71603	Blade			
28	71602	Blade			

*STANDARD HARDWARE—PURCHASE LOCALLY

REPAIR PARTS

36" RIDING LAWN TRACTOR-MODEL NUMBER L8218BR
 TRANSAXLE NO. 794191A-MODEL NUMBER 143.658A

ALL TRANSALE PARTS MUST
 BE PURCHASED THROUGH YOUR
 LOCAL EQUIPMENT DEALER



REPAIR PARTS

36" RIDING LAWN TRACTOR-MODEL NUMBER L8218BR
 TRANSAXLE NO. 794191A-MODEL NUMBER 143.658A

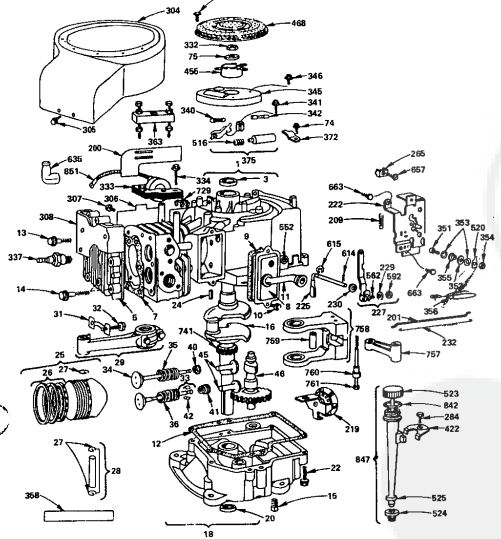
KEY NO.	PART NO.	DESCRIPTION	KEY NO.	PART NO.	DESCRIPTION
1	794191A	Complete Transaxle (Inc. No. 2, 3 & 5)	46	778232	Gov. Bevel (25 Teeth)
2	780088	Bushing - Cylinder	47	778688	Gov. Shaft (2 1/2 x 1/4)
3	212286	Head - Cylinder	48	778688	Gov. Shaft (2 1/2 x 1/4)
4	212286	Head - Cylinder	49	778688	Gov. Shaft (2 1/2 x 1/4)
5	212286	Head - Cylinder	50	778688	Gov. Shaft (2 1/2 x 1/4)
6	212286	Head - Cylinder	51	778688	Gov. Shaft (2 1/2 x 1/4)
7	212286	Head - Cylinder	52	778688	Gov. Shaft (2 1/2 x 1/4)
8	212286	Head - Cylinder	53	778688	Gov. Shaft (2 1/2 x 1/4)
9	212286	Head - Cylinder	54	778688	Gov. Shaft (2 1/2 x 1/4)
10	212286	Head - Cylinder	55	778688	Gov. Shaft (2 1/2 x 1/4)
11	212286	Head - Cylinder	56	778688	Gov. Shaft (2 1/2 x 1/4)
12	212286	Head - Cylinder	57	778688	Gov. Shaft (2 1/2 x 1/4)
13	212286	Head - Cylinder	58	778688	Gov. Shaft (2 1/2 x 1/4)
14	212286	Head - Cylinder	59	778688	Gov. Shaft (2 1/2 x 1/4)
15	212286	Head - Cylinder	60	778688	Gov. Shaft (2 1/2 x 1/4)
16	212286	Head - Cylinder	61	778688	Gov. Shaft (2 1/2 x 1/4)
17	212286	Head - Cylinder	62	778688	Gov. Shaft (2 1/2 x 1/4)
18	212286	Head - Cylinder	63	778688	Gov. Shaft (2 1/2 x 1/4)
19	212286	Head - Cylinder	64	778688	Gov. Shaft (2 1/2 x 1/4)
20	212286	Head - Cylinder	65	778688	Gov. Shaft (2 1/2 x 1/4)
21	212286	Head - Cylinder	66	778688	Gov. Shaft (2 1/2 x 1/4)
22	212286	Head - Cylinder	67	778688	Gov. Shaft (2 1/2 x 1/4)
23	212286	Head - Cylinder	68	778688	Gov. Shaft (2 1/2 x 1/4)
24	212286	Head - Cylinder	69	778688	Gov. Shaft (2 1/2 x 1/4)
25	212286	Head - Cylinder	70	778688	Gov. Shaft (2 1/2 x 1/4)
26	212286	Head - Cylinder	71	778688	Gov. Shaft (2 1/2 x 1/4)
27	212286	Head - Cylinder	72	778688	Gov. Shaft (2 1/2 x 1/4)
28	212286	Head - Cylinder	73	778688	Gov. Shaft (2 1/2 x 1/4)
29	212286	Head - Cylinder	74	778688	Gov. Shaft (2 1/2 x 1/4)
30	212286	Head - Cylinder	75	778688	Gov. Shaft (2 1/2 x 1/4)
31	212286	Head - Cylinder	76	778688	Gov. Shaft (2 1/2 x 1/4)
32	212286	Head - Cylinder	77	778688	Gov. Shaft (2 1/2 x 1/4)
33	212286	Head - Cylinder	78	778688	Gov. Shaft (2 1/2 x 1/4)
34	212286	Head - Cylinder	79	778688	Gov. Shaft (2 1/2 x 1/4)
35	212286	Head - Cylinder	80	778688	Gov. Shaft (2 1/2 x 1/4)
36	212286	Head - Cylinder	81	778688	Gov. Shaft (2 1/2 x 1/4)
37	212286	Head - Cylinder	82	778688	Gov. Shaft (2 1/2 x 1/4)
38	212286	Head - Cylinder	83	778688	Gov. Shaft (2 1/2 x 1/4)
39	212286	Head - Cylinder	84	778688	Gov. Shaft (2 1/2 x 1/4)
40	212286	Head - Cylinder	85	778688	Gov. Shaft (2 1/2 x 1/4)
41	212286	Head - Cylinder	86	778688	Gov. Shaft (2 1/2 x 1/4)
42	212286	Head - Cylinder	87	778688	Gov. Shaft (2 1/2 x 1/4)
43	212286	Head - Cylinder	88	778688	Gov. Shaft (2 1/2 x 1/4)
44	212286	Head - Cylinder	89	778688	Gov. Shaft (2 1/2 x 1/4)
45	212286	Head - Cylinder	90	778688	Gov. Shaft (2 1/2 x 1/4)
46	212286	Head - Cylinder	91	778688	Gov. Shaft (2 1/2 x 1/4)
47	212286	Head - Cylinder	92	778688	Gov. Shaft (2 1/2 x 1/4)
48	212286	Head - Cylinder	93	778688	Gov. Shaft (2 1/2 x 1/4)
49	212286	Head - Cylinder	94	778688	Gov. Shaft (2 1/2 x 1/4)
50	212286	Head - Cylinder	95	778688	Gov. Shaft (2 1/2 x 1/4)
51	212286	Head - Cylinder	96	778688	Gov. Shaft (2 1/2 x 1/4)
52	212286	Head - Cylinder	97	778688	Gov. Shaft (2 1/2 x 1/4)
53	212286	Head - Cylinder	98	778688	Gov. Shaft (2 1/2 x 1/4)
54	212286	Head - Cylinder	99	778688	Gov. Shaft (2 1/2 x 1/4)
55	212286	Head - Cylinder	100	778688	Gov. Shaft (2 1/2 x 1/4)

REPAIR PARTS

36" RIDING LAWN TRACTOR-MODEL NUMBER L8218BR
 BRIGGS & STRATTON 8 H.P. ENGINE-MODEL NO. 191707, TYPE NO. 5627-01

CYLINDER, CRANKSHAFT AND ENGINE BASE GROUP

ALL ENGINE PARTS MUST BE PURCHASED THROUGH AND SERVICE PERFORMED BY YOUR LOCAL BRIGGS & STRATTON DEALER



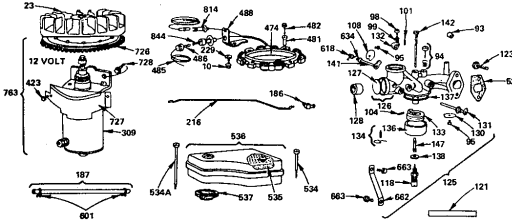
REPAIR PARTS

36" RIDING LAWN TRACTOR-MODEL NUMBER L8218BR
 BRIGGS & STRATTON 8 H.P. ENGINE-MODEL NO. 191707, TYPE NO. 5627-01

KEY NO.	PART NO.	DESCRIPTION	KEY NO.	PART NO.	DESCRIPTION
1	392005	Cylinder Assembly (Inc. Key No. 3)	227	391733	Lever Assy. - Governor (For 1/4" Dia Crank)
2	391726	Bushing - Cylinder	228	220680	Washer - Flat
3	294606	Seal - Oil	229	224450	Washer - Gov. Lever Link (1/4" I.D.)
4	212286	Head - Cylinder	230	220680	Spring - Governor Link
5	212286	Head - Cylinder	231	220680	Spring - Governor Link
6	212286	Head - Cylinder	232	220680	Spring - Governor Link
7	212286	Head - Cylinder	233	220680	Spring - Governor Link
8	391406	Breather Tube Assembly	234	220680	Spring - Governor Link
9	212286	Head - Cylinder	235	220680	Spring - Governor Link
10	93394	Screw - Sem	236	220680	Spring - Governor Link
11	280005	Tube - Breather	237	220680	Spring - Governor Link
12	212286	Head - Cylinder	238	220680	Spring - Governor Link
13	212286	Head - Cylinder	239	220680	Spring - Governor Link
14	93211	Screw - Cylinder Head (2 - 21/32" Long)	240	220680	Spring - Governor Link
15	93223	Screw - Cylinder Head (3" Long)	241	220680	Spring - Governor Link
16	91084	Plug - Oil Drain	242	220680	Spring - Governor Link
17	391757	Crankshaft	243	220680	Spring - Governor Link
18	298516	Pump - Oil (Inc. Key No. 12 & 20)	244	220680	Spring - Governor Link
19	298423	Seal - Oil	245	220680	Spring - Governor Link
20	298423	Seal - Oil	246	220680	Spring - Governor Link
21	93585	Screw - Pump	247	220680	Spring - Governor Link
22	61760	Key - Flywheel	248	220680	Spring - Governor Link
23	391673	Piston Assy. - Std.	249	220680	Spring - Governor Link
24	391674	Piston Assy. - .010" O.S.	250	220680	Spring - Governor Link
25	391675	Piston Assy. - .020" O.S.	251	220680	Spring - Governor Link
26	391676	Piston Assy. - .030" O.S.	252	220680	Spring - Governor Link
27	391677	Piston Assy. - .040" O.S.	253	220680	Spring - Governor Link
28	299743	Ring Set - Piston - Std. Chrome	254	220680	Spring - Governor Link
29	391670	Ring Set - Piston - .010" O.S.	255	220680	Spring - Governor Link
30	391671	Ring Set - Piston - .020" O.S.	256	220680	Spring - Governor Link
31	391672	Ring Set - Piston - .030" O.S.	257	220680	Spring - Governor Link
32	68546	Lock - Piston Pin	258	220680	Spring - Governor Link
33	295840	Pin Assembly - Piston - Standard	259	220680	Spring - Governor Link
34	295841	Pin Assembly - Piston - .005" O.S.	260	220680	Spring - Governor Link
35	390402	Rod Assy. - Connecting	261	220680	Spring - Governor Link
36	390403	Rod Assy. - Connecting	262	220680	Spring - Governor Link
37	390404	Rod Assy. - Connecting	263	220680	Spring - Governor Link
38	390405	Rod Assy. - Connecting	264	220680	Spring - Governor Link
39	390406	Rod Assy. - Connecting	265	220680	Spring - Governor Link
40	390407	Rod Assy. - Connecting	266	220680	Spring - Governor Link
41	390408	Rod Assy. - Connecting	267	220680	Spring - Governor Link
42	390409	Rod Assy. - Connecting	268	220680	Spring - Governor Link
43	390410	Rod Assy. - Connecting	269	220680	Spring - Governor Link
44	390411	Rod Assy. - Connecting	270	220680	Spring - Governor Link
45	390412	Rod Assy. - Connecting	271	220680	Spring - Governor Link
46	390413	Rod Assy. - Connecting	272	220680	Spring - Governor Link
47	390414	Rod Assy. - Connecting	273	220680	Spring - Governor Link
48	390415	Rod Assy. - Connecting	274	220680	Spring - Governor Link
49	390416	Rod Assy. - Connecting	275	220680	Spring - Governor Link
50	390417	Rod Assy. - Connecting	276	220680	Spring - Governor Link
51	390418	Rod Assy. - Connecting	277	220680	Spring - Governor Link
52	390419	Rod Assy. - Connecting	278	220680	Spring - Governor Link
53	390420	Rod Assy. - Connecting	279	220680	Spring - Governor Link
54	390421	Rod Assy. - Connecting	280	220680	Spring - Governor Link
55	390422	Rod Assy. - Connecting	281	220680	Spring - Governor Link
56	390423	Rod Assy. - Connecting	282	220680	Spring - Governor Link
57	390424	Rod Assy. - Connecting	283	220680	Spring - Governor Link
58	390425	Rod Assy. - Connecting	284	220680	Spring - Governor Link
59	390426	Rod Assy. - Connecting	285	220680	Spring - Governor Link
60	390427	Rod Assy. - Connecting	286	220680	Spring - Governor Link
61	390428	Rod Assy. - Connecting	287	220680	Spring - Governor Link
62	390429	Rod Assy. - Connecting	288	220680	Spring - Governor Link
63	390430	Rod Assy. - Connecting	289	220680	Spring - Governor Link
64	390431	Rod Assy. - Connecting	290	220680	Spring - Governor Link
65	390432	Rod Assy. - Connecting	291	220680	Spring - Governor Link
66	390433	Rod Assy. - Connecting	292	220680	Spring - Governor Link
67	390434	Rod Assy. - Connecting	293	220680	Spring - Governor Link
68	390435	Rod Assy. - Connecting	294	220680	Spring - Governor Link
69	390436	Rod Assy. - Connecting	295	220680	Spring - Governor Link
70	390437	Rod Assy. - Connecting	296	220680	Spring - Governor Link
71	390438	Rod Assy. - Connecting	297	220680	Spring - Governor Link
72	390439	Rod Assy. - Connecting	298	220680	Spring - Governor Link
73	390440	Rod Assy. - Connecting	299	220680	Spring - Governor Link
74	390441	Rod Assy. - Connecting	300	220680	Spring - Governor Link
75	390442	Rod Assy. - Connecting	301	220680	Spring - Governor Link
76	390443	Rod Assy. - Connecting	302	220680	Spring - Governor Link
77	390444	Rod Assy. - Connecting	303	220680	Spring - Governor Link
78	390445	Rod Assy. - Connecting	304	220680	Spring - Governor Link
79	390446	Rod Assy. - Connecting	305	220680	Spring - Governor Link
80	390447	Rod Assy. - Connecting	306	220680	Spring - Governor Link
81	390448	Rod Assy. - Connecting	307	220680	Spring - Governor Link
82	390449	Rod Assy. - Connecting	308	220680	Spring - Governor Link
83	390450	Rod Assy. - Connecting	309	220680	Spring - Governor Link
84	390451	Rod Assy. - Connecting	310	220680	Spring - Governor Link
85	390452	Rod Assy. - Connecting	311	220680	Spring - Governor Link
86	390453	Rod Assy. - Connecting	312	220680	Spring - Governor Link
87	390454	Rod Assy. - Connecting	313	220680	Spring - Governor Link
88	390455	Rod Assy. - Connecting	314	220680	Spring - Governor Link
89	390456	Rod Assy. - Connecting	315	220680	Spring - Governor Link
90	390457	Rod Assy. - Connecting	316	220680	Spring - Governor Link
91	390458	Rod Assy. - Connecting	317	220680	Spring - Governor Link
92	390459	Rod Assy. - Connecting	318	220680	Spring - Governor Link
93	390460	Rod Assy. - Connecting	319	220680	Spring - Governor Link
94	390461	Rod Assy. - Connecting	320	220680	Spring - Governor Link
95	390462	Rod Assy. - Connecting	321	220680	Spring - Governor Link
96	390463	Rod Assy. - Connecting	322	220680	Spring - Governor Link
97	390464	Rod Assy. - Connecting	323	220680	Spring - Governor Link
98	390465	Rod Assy. - Connecting	324	220680	Spring - Governor Link
99	390466	Rod Assy. - Connecting	325	220680	Spring - Governor Link
100	390467	Rod Assy. - Connecting	326	220680	Spring - Governor Link

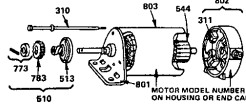
REPAIR PARTS

36" RIDING LAWN TRACTOR—MODEL NUMBER L8218BR
BRIGGS & STRATTON 8 H.P. ENGINE—MODEL NO. 191707, TYPE NO. 5627-01
AIR CLEANER, CARBURETOR AND FLYWHEEL GROUP



KEY NO.	PART NO.	DESCRIPTION	KEY NO.	PART NO.	DESCRIPTION
10	93294	Screw - Set	216	291117	Link Choke
23	381983	Flywheel and Ring Gear As'y. - Magneto	229	220680	Washer, Flat
52	210824	Gasket - Carburetor Mounting	309	392749	Motor and Drive As'y. (See Break-down of Parts Below)
83	24108	Bushing - Throttle Shaft	423	93410	Screw - Set
89	294081	Valve Assembly - Carburetor Idle	414	381532	Stator - Alternator
96	53499	Screw - Throttle and Choke Valve Mfg.	481	238970	Bushing - Stator
88	91920	Screw - Machine Fill, Hd. 8 - 32 x 5/8"	462	38621	Screw - Set
99	26157	Spring - Throttle Adjustment	485	381988	Knob As'y. - Fuse
101	83043	Pin - Throttle Stop	468	381507	Diode - Alternator
104	230896	Pin - Float Hinge	488	222211	Bracket - Output
108	227010	Valve Choke	534	38622	Screw - Air Cleaner
118	361233	Valve Needle	534A	32323	Screw - Air Cleaner
121	298852	Carburetor Overhaul Kit	536	270528	Element - Air Cleaner
123	93357	Screw - Carburetor Mtg.	538	381399	Cleaner Assembly - Air
125	269511	Carburetor Assembly	537	270539	Support - Air Cleaner Element (Plastic)
126	299851	Body Assembly - Carburetor	601	34053	Gasket - Fuel Pipe
127	221957	Plug - Wash	618	261116	Clamp - Fuel Pipe
128	211682	Venturi - Carburetor	618	261116	Clamp - Fuel Pipe
130	221958	Valve - Throttle	629	220282	Washer - Choke Return
131	381512	Shaft and Lever - Throttle	662	220282	Washer - Choke Return
132	211711	Stop - Throttle	663	220282	Washer - Choke Return
133	285707	Float - Carburetor	663	63572	Screw
134	259096	Stop - Throttle	728	391134	Gear - Ring
136	221996	Bowl - Float	727	390233	Cover and Shield - Starter
137	270511	Gasket - Float Bowl	728	390233	Cover and Shield - Starter
141	220014	Washer - Float Bowl	763	391604	Screw - Set
142	390954	Shaft and Lever - Choke	814	390967	Wire - Assembly - 7 Amp. Alternator
147	285740	Washer - Carburetor	844	261289	Spring - Diode
148	235872	Nozzle - Carburetor			
189	67218	Connector - Fuel Pipe			
190	256004	Pipe - Fuel			

STARTER MOTOR GROUP

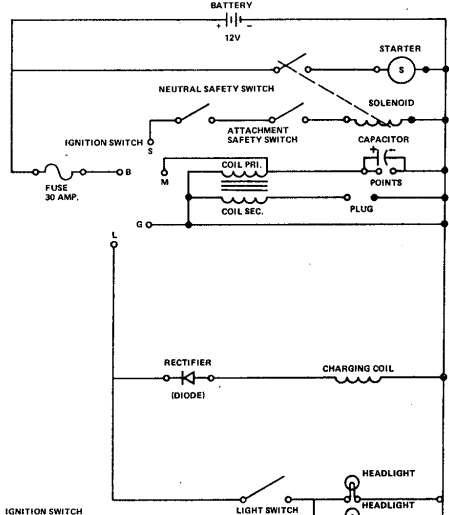


KEY NO.	PART NO.	DESCRIPTION
310	391706	Thru Bolt, As'y.
311	381705	Brush As'y.
510	391461	Drive As'y.
511	387747	Armature As'y.
801	381705	End Cap As'y., Drive
802	390846	Housing As'y., Commutator
803	382744	Housing As'y.

*Includes Brush Set
No. 391135 Clutch As'y. (Key No. 513)
No. 280104 Gear (Key No. 783)
No. 391462 Retainer and Pin (Key No. 773)

REPAIR PARTS

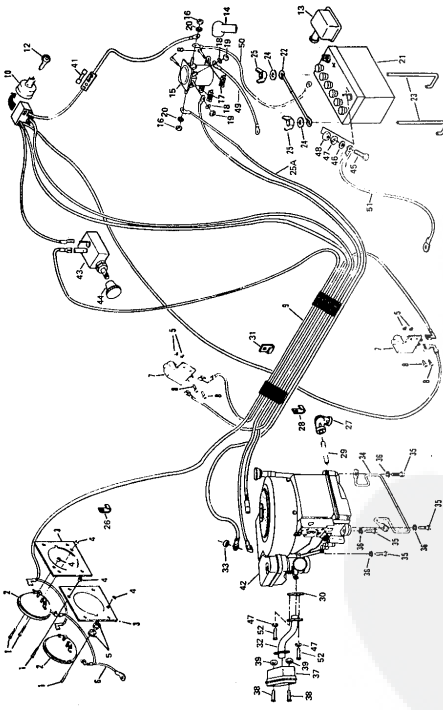
36" RIDING LAWN TRACTOR—MODEL NUMBER L8218BR
SCHEMATIC DIAGRAM



IGNITION SWITCH	
POSITION	CIRCUIT
OFF	M-G
ON	B-L
START	B-S

REPAIR PARTS

36" RIDING LAWN TRACTOR—MODEL NUMBER L8218BR
ELECTRIC & ENGINE



REPAIR PARTS

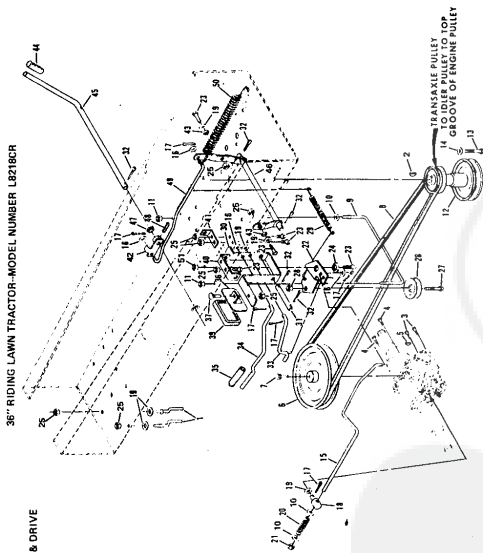
36" RIDING LAWN TRACTOR—MODEL NUMBER L8218BR
ELECTRIC & ENGINE

KEY NO.	PART NO.	DESCRIPTION
1	3228P	Screw, Machine Trust Head
2	645/R	No. 10 - 24 x 1
3	7302S	Headlight Support
4	561P	Washer, Flat
5	561P	Washer, Flat
6	561P	Washer, Flat
7	7125S	Safe Assembly
8	3359P	Screw, Machine Phillips Head
9	1795L	Wire Harness
10	7522A	Wire Harness
11	7522A	Wire Harness
12	7522A	Wire Harness
13	225J	Terminal Cover
14	7125A/R	Shield Cover
15	7125A/R	Shield Cover
16	7125A/R	Shield Cover
17	578P	Nut, Lock No. 10 - 24 UNC
18	1063P	Washer, Lock No. 10 - 24 UNC
19	1063P	Washer, Lock No. 10 - 24 UNC
20	1063P	Washer, Lock No. 10 - 24 UNC
21	6718P	Battery Rod
22	1505S	Battery Rod
23	1505S	Battery Rod
24	1505S	Battery Rod
25	577P	Wing Nut 1/4" - 20 x .62
26	577P	Wing Nut 1/4" - 20 x .62
27	1956L	Insulated Clip
28	1956L	Insulated Clip
29	4017P	Sud. Elbow 90° 3/8" - 18 MPT
30	5209R	Insulated Clip
31	7214A	End Nut
32	7214A	End Nut
33	53490	Nut, Lock 1/4" - 20 UNC
34	53490	Nut, Lock 1/4" - 20 UNC
35	5688P	Screw, Hex. Hd. Thd. Rolling
36	1004P	Washer, Lock 3/8"
37	2471S	Marler
38	575P	Engine, 7/8" x 1 1/2" x 1 1/2"
39	575P	Engine, 7/8" x 1 1/2" x 1 1/2"
40	575P	Engine, 7/8" x 1 1/2" x 1 1/2"
41	575P	Engine, 7/8" x 1 1/2" x 1 1/2"
42	191707	Engine, 7/8" x 1 1/2" x 1 1/2"
43	7782R	Locknut, Circlip 5/16" - 18
44	7784R	Locknut, Circlip 5/16" - 18
45	1505P	Washer, Lock No. 10 - 24 UNC
46	1505P	Washer, Lock No. 10 - 24 UNC
47	1505P	Washer, Lock No. 10 - 24 UNC
48	8027R	Washer, Lock No. 10 - 24 UNC
49	8027R	Washer, Lock No. 10 - 24 UNC
50	596L	Ground Cable
51	596L	Ground Cable
52	1956L	Insulated Clip
53	1956L	Insulated Clip

*STANDARD HARDWARE—PURCHASE LOCALLY
OPTIONAL EQUIPMENT
1A89.11 Spark Arrestor

REPAIR PARTS

CLUTCH-BRAKE & DRIVE



36" RIDING LAWN TRACTOR—MODEL NUMBER L8218CR

REPAIR PARTS

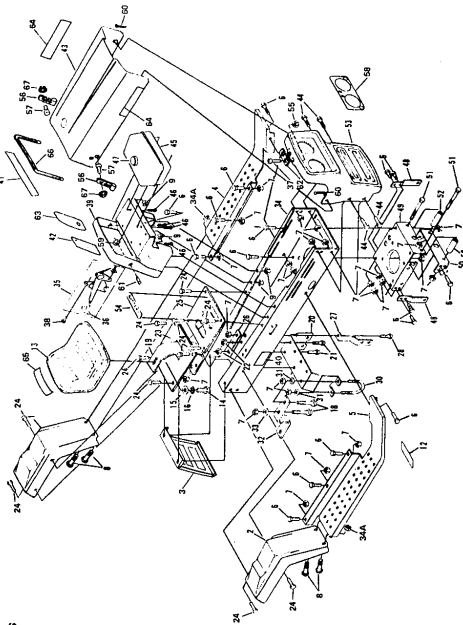
CLUTCH-BRAKE & DRIVE

REF. PART NO.	DESCRIPTION	REF. PART NO.	DESCRIPTION
1	71200 Bolt Guide	23	3010P Bolt, Hex Head 5/16 - 18 x 3.4
2	60603 Key, Woodruff No. 6	24	71202 Bushing 5/16 - 18 x 3.4
3	60609 Spring, Compression 1/2" Dia. x 1 1/2" H.	25	67400 Pulley, 1/2" Dia. 18 UNC
4	6060P Spring, Compression 1/2" Dia. x 1 1/2" H.	26	67400 Pulley, 1/2" Dia. 18 UNC
5	52859 Key, Woodruff No. E1	27	529P Nut, Lock 3/8 - 18 UNC
6	6060P Spring, Compression 1/2" Dia. x 1 1/2" H.	28	2044J Spring, Idler
7	6060P Spring, Compression 1/2" Dia. x 1 1/2" H.	29	2044J Spring, Idler
8	72794 Mid-Belt Guide	30	71223 Pin, Cotter 1/8 x 1
9	71241 Brake Rod	31	71223 Pin, Cotter 1/8 x 1
10	545P Spring, Compression 1/2" Dia. x 1 1/2" H.	32	74419 Clutch Fork
11	545P Spring, Compression 1/2" Dia. x 1 1/2" H.	33	3733 Park Brake Rod
12	6062P Spring, Compression 1/2" Dia. x 1 1/2" H.	34	3733 Park Brake Rod
13	6062P Spring, Compression 1/2" Dia. x 1 1/2" H.	35	71222 Pin, Peen
14	1010P Spring, Compression 1/2" Dia. x 1 1/2" H.	36	71222 Pin, Peen
15	73792 Brake Rod	37	67285 Foot Pedal
16	73792 Brake Rod	38	71199 Foot Pedal
17	2563P Spring, Compression 1/2" Dia. x 1 1/2" H.	39	71199 Foot Pedal
18	1525B Spring, Compression 1/2" Dia. x 1 1/2" H.	40	71199 Foot Pedal
19	1525B Spring, Compression 1/2" Dia. x 1 1/2" H.	41	71199 Foot Pedal
20	71239 Spring, Compression 1/2" Dia. x 1 1/2" H.	42	71199 Foot Pedal
21	71201 U-Block	43	71199 Foot Pedal
22	71201 U-Block	44	71199 Foot Pedal

STANDARD HARDWARE—PURCHASE LOCALLY

REPAIR PARTS

CHASSIS



36" RIDING LAWN TRACTOR—MODEL NUMBER L8218CR

REPAIR PARTS

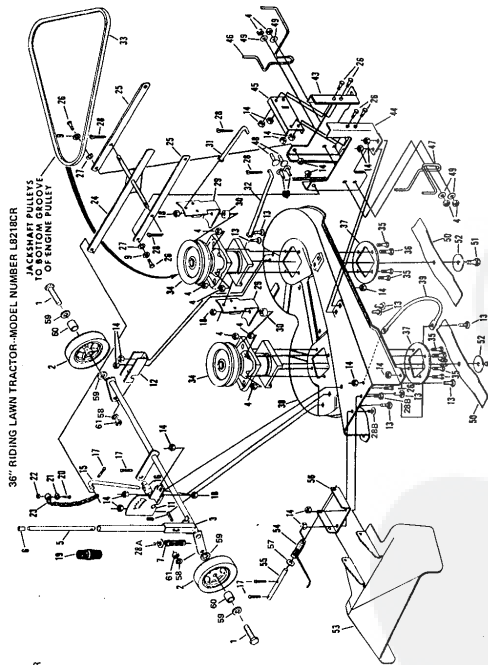
CHASSIS

REF. PART NO.	DESCRIPTION	REF. PART NO.	DESCRIPTION
1	3884 Fender, L.H.	35	1564J Remco Control Arm, R/C
2	3884 Fender, R.H.	36	6122J Spring, Compression 1/2" Dia. x 1 1/2" H.
3	1135J Foot Rest, L.H.	37	6122J Spring, Compression 1/2" Dia. x 1 1/2" H.
4	1135J Foot Rest, R.H.	38	6060P Spring, Compression 1/2" Dia. x 1 1/2" H.
5	1460J Foot Rest, R.H. 5/16 - 18 x 3/4	39	6060P Spring, Compression 1/2" Dia. x 1 1/2" H.
6	529P Nut, Lock 3/8 - 18 UNC	40	75078 Nut, Lock 5/16 - 18 UNC
7	529P Nut, Lock 3/8 - 18 UNC	41	1135J Foot Rest, R.H.
8	529P Nut, Lock 3/8 - 18 UNC	42	1135J Foot Rest, R.H.
9	529P Nut, Lock 3/8 - 18 UNC	43	67761Z Dial Drive Connections
10	529P Nut, Lock 3/8 - 18 UNC	44	3884P Hood Assy, Washer Hd.
11	529P Nut, Lock 3/8 - 18 UNC	45	3884P Hood Assy, Washer Hd.
12	1135J Foot Rest, R.H.	46	74415 Full Cap
13	1135J Foot Rest, R.H.	47	74415 Full Cap
14	3302P Bolt, Hex Head 1/2 - 13 x 1 1/4 G	48	1885J Eye Bolt
15	3302P Bolt, Hex Head 1/2 - 13 x 1 1/4 G	49	1885J Eye Bolt
16	1000P Washer, Lock 1/2 - 3/16 x 1 1/4 G	50	2711P Bolt, Hex Head 5/16 - 18 x 2 3/4
17	1000P Washer, Lock 1/2 - 3/16 x 1 1/4 G	51	2711P Bolt, Hex Head 5/16 - 18 x 2 3/4
18	2010P Transaxle Support	52	14423 Bushing
19	2010P Transaxle Support	53	14423 Bushing
20	2010P Transaxle Support	54	74397 Battery Cap
21	2010P Transaxle Support	55	74397 Battery Cap
22	545P Spring, Compression 1/2" Dia. x 1 1/2" H.	56	3884P Hood Assy, Washer Hd.
23	545P Spring, Compression 1/2" Dia. x 1 1/2" H.	57	3884P Hood Assy, Washer Hd.
24	545P Spring, Compression 1/2" Dia. x 1 1/2" H.	58	6922 Dial Drive P.H. Engine
25	67761Z Dial Drive Connections	59	6922 Dial Drive P.H. Engine
26	67761Z Dial Drive Connections	60	75078 Nut, Lock 5/16 - 18 UNC
27	67761Z Dial Drive Connections	61	75078 Nut, Lock 5/16 - 18 UNC
28	67761Z Dial Drive Connections	62	75078 Nut, Lock 5/16 - 18 UNC
29	67761Z Dial Drive Connections	63	1135J Foot Rest, R.H.
30	67761Z Dial Drive Connections	64	1135J Foot Rest, R.H.
31	67761Z Dial Drive Connections	65	244J Dial Drive P.H. Engine
32	67761Z Dial Drive Connections	66	244J Dial Drive P.H. Engine
33	67761Z Dial Drive Connections	67	244J Dial Drive P.H. Engine
34	67761Z Dial Drive Connections	68	244J Dial Drive P.H. Engine

STANDARD HARDWARE—PURCHASE LOCALLY

REPAIR PARTS

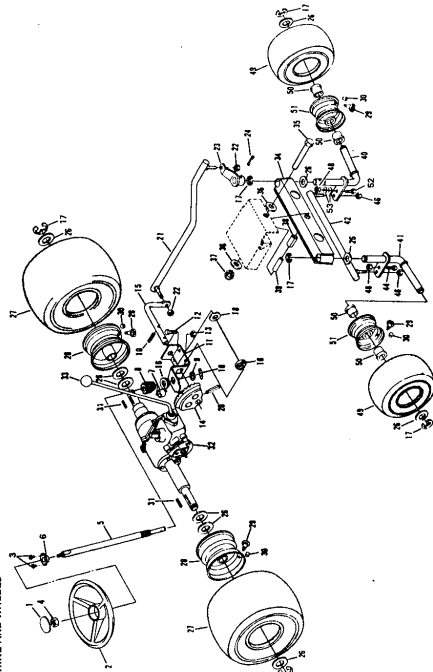
MOWER



36" RIDING LAWN TRACTOR—MODEL NUMBER L821BCR
 *STANDARD HARDWARE PURCHASE LOCALLY

REPAIR PARTS

STEERING AND WHEELS



36" RIDING LAWN TRACTOR—MODEL NUMBER L821BCR

REPAIR PARTS

MOWER

REF. NO.	PART NO.	DESCRIPTION
1	3199P	Hex Bolt 3/8" x 2 1/4" Gr. 5
2	67284	Clutch Wheel Assembly
3	545P	Nut, Lock 3/8" x 18 UNC
4	9479R	Cap Lever Plunger
5	8565R	Spring
6	8565R	Spring
7	1599P	Washer, 1/102 x 3/4 x 18 Ga.
8	71300	Bolt, Carriage 5/16" x 18 x 3/4 Gr. 5
9	67237	Adjustment Rod
10	576P	Locknut Washer 3/8" x 18 UNC
11	2503P	"Cover Pin 3/32 x 3/4
12	17172	"Screw, Pan Hd. Machine 1/4" x 20 x 1
13	3224P	"Screw, Pan Hd. Machine 1/4" x 20 x 1
14	29514	Pin, Chain
15	71337	Pin, Chain
16	71337	Pin, Chain
17	71815	Pin, Chain
18	1615P	Spacer
19	1615P	Spacer
20	1615P	Spacer
21	1615P	Spacer
22	1615P	Spacer
23	1615P	Spacer
24	1615P	Spacer
25	1615P	Spacer
26	1615P	Spacer
27	1615P	Spacer
28	1615P	Spacer
29	1615P	Spacer
30	1615P	Spacer
31	1615P	Spacer
32	1615P	Spacer
33	1615P	Spacer
34	1615P	Spacer
35	1615P	Spacer
36	1615P	Spacer
37	1615P	Spacer
38	1615P	Spacer
39	1615P	Spacer
40	1615P	Spacer
41	1615P	Spacer
42	1615P	Spacer
43	1615P	Spacer
44	1615P	Spacer
45	1615P	Spacer
46	1615P	Spacer
47	1615P	Spacer
48	1615P	Spacer
49	1615P	Spacer
50	1615P	Spacer
51	1615P	Spacer
52	1615P	Spacer
53	1615P	Spacer
54	1615P	Spacer
55	1615P	Spacer
56	1615P	Spacer
57	1615P	Spacer
58	1615P	Spacer
59	1615P	Spacer
60	1615P	Spacer
61	1615P	Spacer
62	1615P	Spacer
63	1615P	Spacer
64	1615P	Spacer
65	1615P	Spacer
66	1615P	Spacer
67	1615P	Spacer
68	1615P	Spacer
69	1615P	Spacer
70	1615P	Spacer
71	1615P	Spacer
72	1615P	Spacer
73	1615P	Spacer
74	1615P	Spacer
75	1615P	Spacer
76	1615P	Spacer
77	1615P	Spacer
78	1615P	Spacer
79	1615P	Spacer
80	1615P	Spacer
81	1615P	Spacer
82	1615P	Spacer
83	1615P	Spacer
84	1615P	Spacer
85	1615P	Spacer
86	1615P	Spacer
87	1615P	Spacer
88	1615P	Spacer
89	1615P	Spacer
90	1615P	Spacer
91	1615P	Spacer
92	1615P	Spacer
93	1615P	Spacer
94	1615P	Spacer
95	1615P	Spacer
96	1615P	Spacer
97	1615P	Spacer
98	1615P	Spacer
99	1615P	Spacer
100	1615P	Spacer

36" RIDING LAWN TRACTOR—MODEL NUMBER L821BCR
 *STANDARD HARDWARE PURCHASE LOCALLY

REPAIR PARTS

STEERING AND WHEELS

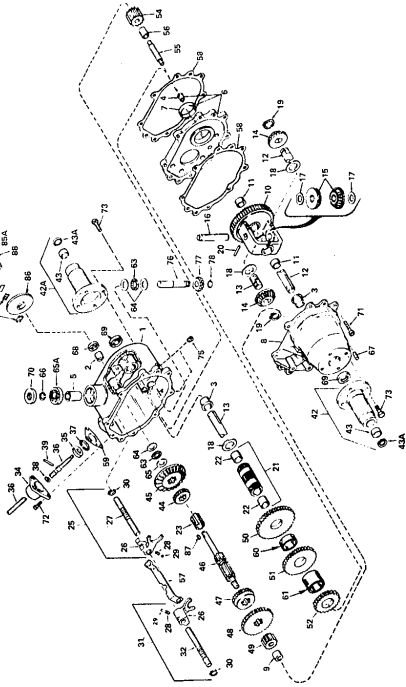
REF. NO.	PART NO.	DESCRIPTION
1	1114J	Steering Wheel Inset
2	561P	Steering Wheel
3	561P	Steering Wheel
4	561P	Steering Wheel
5	1599J	Nut, Lock 1/2" x 20 UNF
6	1599J	Nut, Lock 1/2" x 20 UNF
7	1599J	Nut, Lock 1/2" x 20 UNF
8	1599J	Nut, Lock 1/2" x 20 UNF
9	1599J	Nut, Lock 1/2" x 20 UNF
10	1599J	Nut, Lock 1/2" x 20 UNF
11	1599J	Nut, Lock 1/2" x 20 UNF
12	1599J	Nut, Lock 1/2" x 20 UNF
13	1599J	Nut, Lock 1/2" x 20 UNF
14	1599J	Nut, Lock 1/2" x 20 UNF
15	1599J	Nut, Lock 1/2" x 20 UNF
16	1599J	Nut, Lock 1/2" x 20 UNF
17	1599J	Nut, Lock 1/2" x 20 UNF
18	1599J	Nut, Lock 1/2" x 20 UNF
19	1599J	Nut, Lock 1/2" x 20 UNF
20	1599J	Nut, Lock 1/2" x 20 UNF
21	1599J	Nut, Lock 1/2" x 20 UNF
22	1599J	Nut, Lock 1/2" x 20 UNF
23	1599J	Nut, Lock 1/2" x 20 UNF
24	1599J	Nut, Lock 1/2" x 20 UNF
25	1599J	Nut, Lock 1/2" x 20 UNF
26	1599J	Nut, Lock 1/2" x 20 UNF
27	1599J	Nut, Lock 1/2" x 20 UNF
28	1599J	Nut, Lock 1/2" x 20 UNF
29	1599J	Nut, Lock 1/2" x 20 UNF
30	1599J	Nut, Lock 1/2" x 20 UNF
31	1599J	Nut, Lock 1/2" x 20 UNF
32	1599J	Nut, Lock 1/2" x 20 UNF
33	1599J	Nut, Lock 1/2" x 20 UNF
34	1599J	Nut, Lock 1/2" x 20 UNF
35	1599J	Nut, Lock 1/2" x 20 UNF
36	1599J	Nut, Lock 1/2" x 20 UNF
37	1599J	Nut, Lock 1/2" x 20 UNF
38	1599J	Nut, Lock 1/2" x 20 UNF
39	1599J	Nut, Lock 1/2" x 20 UNF
40	1599J	Nut, Lock 1/2" x 20 UNF
41	1599J	Nut, Lock 1/2" x 20 UNF
42	1599J	Nut, Lock 1/2" x 20 UNF
43	1599J	Nut, Lock 1/2" x 20 UNF
44	1599J	Nut, Lock 1/2" x 20 UNF
45	1599J	Nut, Lock 1/2" x 20 UNF
46	1599J	Nut, Lock 1/2" x 20 UNF
47	1599J	Nut, Lock 1/2" x 20 UNF
48	1599J	Nut, Lock 1/2" x 20 UNF
49	1599J	Nut, Lock 1/2" x 20 UNF
50	1599J	Nut, Lock 1/2" x 20 UNF
51	1599J	Nut, Lock 1/2" x 20 UNF
52	1599J	Nut, Lock 1/2" x 20 UNF
53	1599J	Nut, Lock 1/2" x 20 UNF
54	1599J	Nut, Lock 1/2" x 20 UNF
55	1599J	Nut, Lock 1/2" x 20 UNF
56	1599J	Nut, Lock 1/2" x 20 UNF
57	1599J	Nut, Lock 1/2" x 20 UNF
58	1599J	Nut, Lock 1/2" x 20 UNF
59	1599J	Nut, Lock 1/2" x 20 UNF
60	1599J	Nut, Lock 1/2" x 20 UNF
61	1599J	Nut, Lock 1/2" x 20 UNF
62	1599J	Nut, Lock 1/2" x 20 UNF
63	1599J	Nut, Lock 1/2" x 20 UNF
64	1599J	Nut, Lock 1/2" x 20 UNF
65	1599J	Nut, Lock 1/2" x 20 UNF
66	1599J	Nut, Lock 1/2" x 20 UNF
67	1599J	Nut, Lock 1/2" x 20 UNF
68	1599J	Nut, Lock 1/2" x 20 UNF
69	1599J	Nut, Lock 1/2" x 20 UNF
70	1599J	Nut, Lock 1/2" x 20 UNF
71	1599J	Nut, Lock 1/2" x 20 UNF
72	1599J	Nut, Lock 1/2" x 20 UNF
73	1599J	Nut, Lock 1/2" x 20 UNF
74	1599J	Nut, Lock 1/2" x 20 UNF
75	1599J	Nut, Lock 1/2" x 20 UNF
76	1599J	Nut, Lock 1/2" x 20 UNF
77	1599J	Nut, Lock 1/2" x 20 UNF
78	1599J	Nut, Lock 1/2" x 20 UNF
79	1599J	Nut, Lock 1/2" x 20 UNF
80	1599J	Nut, Lock 1/2" x 20 UNF
81	1599J	Nut, Lock 1/2" x 20 UNF
82	1599J	Nut, Lock 1/2" x 20 UNF
83	1599J	Nut, Lock 1/2" x 20 UNF
84	1599J	Nut, Lock 1/2" x 20 UNF
85	1599J	Nut, Lock 1/2" x 20 UNF
86	1599J	Nut, Lock 1/2" x 20 UNF
87	1599J	Nut, Lock 1/2" x 20 UNF
88	1599J	Nut, Lock 1/2" x 20 UNF
89	1599J	Nut, Lock 1/2" x 20 UNF
90	1599J	Nut, Lock 1/2" x 20 UNF
91	1599J	Nut, Lock 1/2" x 20 UNF
92	1599J	Nut, Lock 1/2" x 20 UNF
93	1599J	Nut, Lock 1/2" x 20 UNF
94	1599J	Nut, Lock 1/2" x 20 UNF
95	1599J	Nut, Lock 1/2" x 20 UNF
96	1599J	Nut, Lock 1/2" x 20 UNF
97	1599J	Nut, Lock 1/2" x 20 UNF
98	1599J	Nut, Lock 1/2" x 20 UNF
99	1599J	Nut, Lock 1/2" x 20 UNF
100	1599J	Nut, Lock 1/2" x 20 UNF

36" RIDING LAWN TRACTOR—MODEL NUMBER L821BCR
 *STANDARD HARDWARE PURCHASE LOCALLY

REPAIR PARTS

36" RIDING LAWN TRACTOR-MODEL NUMBER L821BCR
TRANSAKLE NO. 794191A-MODEL NUMBER 143.658A

ALL TRANSAKLE PARTS MUST
BE PURCHASED THROUGH OUR
LOCAL TECHNICAL DEALER.



REPAIR PARTS

36" RIDING LAWN TRACTOR-MODEL NUMBER L821BCR
TRANSAKLE NO. 794191A-MODEL NUMBER 143.658A

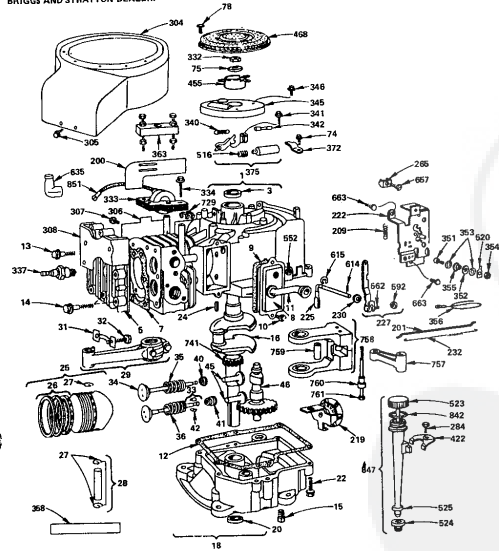
KEY NO.	PART NO.	DESCRIPTION	KEY NO.	PART NO.	DESCRIPTION
1	710217A	Complete Transaxle (inc. No. 2, 3 & 8)	46	710238	Shaft, Steel (3/8 Term)
2	710218	Complete Transaxle (inc. No. 2, 3 & 8)	47	710239	Shaft, Steel (1/2 Term)
3	710219	Complete Transaxle (inc. No. 2, 3 & 8)	48	710240	Shaft, Steel (3/4 Term)
4	710220	Complete Transaxle (inc. No. 2, 3 & 8)	49	710241	Shaft, Steel (1 Term)
5	710221	Complete Transaxle (inc. No. 2, 3 & 8)	50	710242	Shaft, Steel (1 1/4 Term)
6	710222	Complete Transaxle (inc. No. 2, 3 & 8)	51	710243	Shaft, Steel (1 1/2 Term)
7	710223	Complete Transaxle (inc. No. 2, 3 & 8)	52	710244	Shaft, Steel (1 3/4 Term)
8	710224	Complete Transaxle (inc. No. 2, 3 & 8)	53	710245	Shaft, Steel (2 Term)
9	710225	Complete Transaxle (inc. No. 2, 3 & 8)	54	710246	Shaft, Steel (2 1/4 Term)
10	710226	Complete Transaxle (inc. No. 2, 3 & 8)	55	710247	Shaft, Steel (2 1/2 Term)
11	710227	Complete Transaxle (inc. No. 2, 3 & 8)	56	710248	Shaft, Steel (2 3/4 Term)
12	710228	Complete Transaxle (inc. No. 2, 3 & 8)	57	710249	Shaft, Steel (3 Term)
13	710229	Complete Transaxle (inc. No. 2, 3 & 8)	58	710250	Shaft, Steel (3 1/4 Term)
14	710230	Complete Transaxle (inc. No. 2, 3 & 8)	59	710251	Shaft, Steel (3 1/2 Term)
15	710231	Complete Transaxle (inc. No. 2, 3 & 8)	60	710252	Shaft, Steel (3 3/4 Term)
16	710232	Complete Transaxle (inc. No. 2, 3 & 8)	61	710253	Shaft, Steel (4 Term)
17	710233	Complete Transaxle (inc. No. 2, 3 & 8)	62	710254	Shaft, Steel (4 1/4 Term)
18	710234	Complete Transaxle (inc. No. 2, 3 & 8)	63	710255	Shaft, Steel (4 1/2 Term)
19	710235	Complete Transaxle (inc. No. 2, 3 & 8)	64	710256	Shaft, Steel (4 3/4 Term)
20	710236	Complete Transaxle (inc. No. 2, 3 & 8)	65	710257	Shaft, Steel (5 Term)
21	710237	Complete Transaxle (inc. No. 2, 3 & 8)	66	710258	Shaft, Steel (5 1/4 Term)
22	710238	Complete Transaxle (inc. No. 2, 3 & 8)	67	710259	Shaft, Steel (5 1/2 Term)
23	710239	Complete Transaxle (inc. No. 2, 3 & 8)	68	710260	Shaft, Steel (5 3/4 Term)
24	710240	Complete Transaxle (inc. No. 2, 3 & 8)	69	710261	Shaft, Steel (6 Term)
25	710241	Complete Transaxle (inc. No. 2, 3 & 8)	70	710262	Shaft, Steel (6 1/4 Term)
26	710242	Complete Transaxle (inc. No. 2, 3 & 8)	71	710263	Shaft, Steel (6 1/2 Term)
27	710243	Complete Transaxle (inc. No. 2, 3 & 8)	72	710264	Shaft, Steel (6 3/4 Term)
28	710244	Complete Transaxle (inc. No. 2, 3 & 8)	73	710265	Shaft, Steel (7 Term)
29	710245	Complete Transaxle (inc. No. 2, 3 & 8)	74	710266	Shaft, Steel (7 1/4 Term)
30	710246	Complete Transaxle (inc. No. 2, 3 & 8)	75	710267	Shaft, Steel (7 1/2 Term)
31	710247	Complete Transaxle (inc. No. 2, 3 & 8)	76	710268	Shaft, Steel (7 3/4 Term)
32	710248	Complete Transaxle (inc. No. 2, 3 & 8)	77	710269	Shaft, Steel (8 Term)
33	710249	Complete Transaxle (inc. No. 2, 3 & 8)	78	710270	Shaft, Steel (8 1/4 Term)
34	710250	Complete Transaxle (inc. No. 2, 3 & 8)	79	710271	Shaft, Steel (8 1/2 Term)
35	710251	Complete Transaxle (inc. No. 2, 3 & 8)	80	710272	Shaft, Steel (8 3/4 Term)
36	710252	Complete Transaxle (inc. No. 2, 3 & 8)	81	710273	Shaft, Steel (9 Term)
37	710253	Complete Transaxle (inc. No. 2, 3 & 8)	82	710274	Shaft, Steel (9 1/4 Term)
38	710254	Complete Transaxle (inc. No. 2, 3 & 8)	83	710275	Shaft, Steel (9 1/2 Term)
39	710255	Complete Transaxle (inc. No. 2, 3 & 8)	84	710276	Shaft, Steel (9 3/4 Term)
40	710256	Complete Transaxle (inc. No. 2, 3 & 8)	85	710277	Shaft, Steel (10 Term)
41	710257	Complete Transaxle (inc. No. 2, 3 & 8)	86	710278	Shaft, Steel (10 1/4 Term)
42	710258	Complete Transaxle (inc. No. 2, 3 & 8)	87	710279	Shaft, Steel (10 1/2 Term)
43	710259	Complete Transaxle (inc. No. 2, 3 & 8)	88	710280	Shaft, Steel (10 3/4 Term)
44	710260	Complete Transaxle (inc. No. 2, 3 & 8)	89	710281	Shaft, Steel (11 Term)
45	710261	Complete Transaxle (inc. No. 2, 3 & 8)	90	710282	Shaft, Steel (11 1/4 Term)

REPAIR PARTS

36" RIDING LAWN TRACTOR-MODEL NUMBER L821BCR
BRIGGS & STRATTON 8 H.P. ENGINE-MODEL NO. 191707, TYPE NO. 5627-01

CYLINDER, CRANKSHAFT AND ENGINE BASE GROUP

ALL ENGINE PARTS MUST BE PURCHASED THROUGH AND SERVICE PERFORMED BY YOUR LOCAL BRIGGS & STRATTON DEALER.



REPAIR PARTS

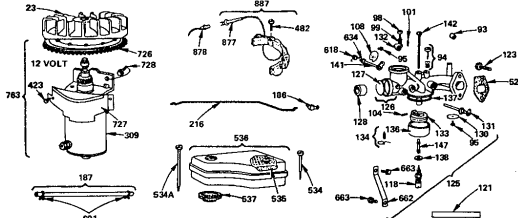
36" RIDING LAWN TRACTOR-MODEL NUMBER L821BCR
BRIGGS & STRATTON 8 H.P. ENGINE-MODEL NO. 191707, TYPE NO. 5627-01

KEY NO.	PART NO.	DESCRIPTION	KEY NO.	PART NO.	DESCRIPTION
1	392005	Cylinder Assembly (Inc. Key No. 3)	227	391733	Lever Assy. - Governor (For 1/4" Dia. Crank)
2	391726	Bushing - Cylinder	230	222450	Washer - Gov. Lever (1/4" I.D.)
3	294609	Seal - Oil	232	260584	Spring - Governor Link
4	212286	Head - Cylinder	233	221539	Clamp - Casing
5	212288	Gasket - Cylinder	234	93804	Screw - Clamp Mtg.
6	391406	Breather Tube Assembly	304	391379	Housing - Blower
7	219031	Gasket - Valve Cover	305	31568	Screw - Blower Housing Mounting Sem
8	93539	Screw - Sem	306	222830	Shield - Cylinder
9	282095	Tube - Breather	307	83163	Screw - Cylinder Shield Mtg. Sem
10	27750	*Gasket - Crankcase Cover - 1/64" Thick	308	222568	Cover - Cylinder Head
11	27876	*Gasket - Crankcase Cover - .005" Thick	332	92294	Nut, Flywheel
12	27877	*Gasket - Crankcase Cover - .009" Thick	333	299869	Armature Assembly
13	93211	Screw - Cylinder Head (2 - 21/32" Long)	334	93381	Screw, Armature Mounting Sem
14	93723	Screw - Cylinder Head (3" Long)	337	293918	Plug, Spark (1 1/2" High - 38 M.M. Resistor)
15	91786	Plug - Oil Drain	340	NOTE: Ignition Cable Terminal No. 221798	
16	391757	Crankshaft	341	93381	Screw - Breaker Arm Mounting Sem
17	298316	Sump - Oil (Inc. Key No. 12 & 20)	342	65704	Plunger - Breaker Point
18	299423	Seal - Oil	345	222117	Cover - Breaker Point
19	93585	Screw - Sump	346	83705	Screw - Sem
20	61750	Key - Flywheel	351	91820	Screw - Terminal
21	391873	Piston Assy. - Std.	352	86068	Washer - Lock Shakespoot
22	391874	Piston Assy. - .010" O.S.	353	92791	Washer - Lock Shakespoot
23	391875	Piston Assy. - .020" O.S.	354	90576	Nut - Hex 8 - 32
24	391876	Piston Assy. - .030" O.S.	355	96554	Collar - Insulating
25	391877	Piston Assy. - .040" O.S.	356	299500	Wire - Ground
26	299743	Ring Set - Piston - Std. Chrome	358	299577	Gasket Set
27	391878	Ring Set - Piston - .010" O.S.	359	19106	Filler - Flywheel
28	391879	Ring Set - Piston - .020" O.S.	372	220477	Clamp - Condenser
29	391880	Ring Set - Piston - .030" O.S.	375	294628	Breaker Points and Condenser Set
30	68546	Lock - Piston Pin	NOTE: 299981 Ignition Kit Includes 294628 Point Set, 85704 Plunger, 61760 Key - Flywheel		
31	295849	Pin Assembly - Piston - Standard	422	222562	Clamp - Oil Filter Tube
32	295851	Pin Assembly - Piston - .005" O.S.	455	222561	Cup - Screen Mounting
33	390402	Rod Assy. - Connecting	458	222562	Screw - Flush Rotating
34	NOTE: For Connecting Rod with .020" Undersize Crankpin Bore - Order No. 390773		516	260374	Spring - Connector
35	222114	Lock - Connecting Rod Screw	523	391840	Cap and Dipstick - Oil Filter
36	93559	Screw - Connecting Rod	524	86838	Seal - Filler Tube
37	390419	Valve - Exhaust	525	93772	Tube - Oil Filter
38	291065	Valve - Intake	525	391823	Tube - Oil Filter
39	65906	Spring - Intake Valve	552	231055	Bushing - Gov. Crank (1/4" I.D.)
40	291066	Spring - Exhaust Valve	552	86838	Seal - Filler Tube
41	292200	Rotocool - Exhaust Valve	552	92613	Bob - Governor Lever
42	93630	Retainer - Exhaust Valve Rotocool	614	93308	Cutter - Hair Pin
43	262933	Tappet - Valve	615	93507	Retainer - E Ring
44	211689	Cam - Governor	635	66538	Elbow - Spark Plug
45	93042	Screw - Sems	657	93436	Screw - Sem
46	220855	Washer - Spring	663	93572	Screw
47	93055	Screw - Sem	729	221807	Clip - Wire
48	221700	Guide - Air	741	261195	Gear - Timing
49	262071	Link - Governor	757	212759	Link - Counterweight
50	261306	Screw - Governor	758	390172	Counterweight Assy.
51	392718	Oil Slinger - Gov. Gear and Bracket Assembly	759	298909	Pin - Counterweight
52	390662	Plate - Gov. Control	759	296940	Sprocket - Counterweight
53	231058	Crank - Gov. (1 1/4" Dia.)	761	93874	Screw - Counterweight
			842	270520	Seal - Filter Can
			847	392666	Filler Group - Oil
			851	221798	Terminal - Ignition Cable

* INCLUDED IN GASKET SET - PART NO. 299577

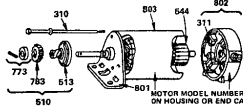
REPAIR PARTS

36" RIDING LAWN TRACTOR-MODEL NUMBER L8218CR
BRIGGS & STRATTON 8 H.P. ENGINE-MODEL NO. 191707, TYPE NO. 5627-01
AIR CLEANER, CARBURETOR AND FLYWHEEL GROUP



KEY NO.	PART NO.	DESCRIPTION	KEY NO.	PART NO.	DESCRIPTION
23	391983	Flywheel and Ring Gear Assy. - Magneto	218	281117	Link Choke
52	219924	Gasket - Carburetor Mounting	309	392749	Motor and Drive Assy. (See Break-down of Parts Below)
53	23108	Bushing - Throttle Shaft	423	93410	Screw - Sem
64	291691	Valve Assembly - Carburetor Idle			
66	63499	Screw - Throttle and Choke Valve Mtg. Sem	482	93621	Screw - Sem
68	81920	Screw - Machine Fill. Hd. 8-32 x 5/8"			
69	26157	Spring - Throttle Adjustment			
101	83043	Pin - Throttle Stop			
104	230696	*Pin - Float Hinge	534	93622	Screw - Air Cleaner
118	391233	*Valve Needle	534A	93323	Screw - Air Cleaner
121	298852	Carburetor Overhaul Kit	536	279528	Element - Air Cleaner
123	83357	Screw - Carburetor Mtg.	536	391399	Cleaner Assembly - Air
126	390811	Carburetor Assembly	536	391399	Cleaner Assembly - Air
126	298851	Body Assembly - Carburetor	537	270839	Support - Air Cleaner Element (Plastic)
127	221997	*Plug - Washit	601	93063	Gasket - Air Cleaner
128	211862	Venturi - Carburetor	618	281118	Spring - Choke Return
130	221988	Valve - Throttle	634	210362	Washer - Choke Shaft
131	391512	Shaft and Lever - Throttle	662	222927	Bracket - Carburetor
132	211712	Stop - Throttle	663	93517	Screw
133	298707	Float - Carburetor	663	39134	Gear - Ring
134	298696	*Screw - Fuel Inlet	727	390233	Cover and Shield - Starter
136	221995	Bowl - Float	728	39023	Screw - Sem
137	218611	Gasket - Float Bowl	877	393814	Diode & Conn. Assembly
138	222014	*Washer - Float Bowl	878	393422	Alt. Harness Assembly
141	390664	Shaft and Lever - Choke	887	391529	Stator-Alternator
142	290140	Nozzle - Carburetor			
147	23282	*Screw - Nozzle			
186	87216	Connector - Fuel Pipe			
187	298004	Pipe - Fuel			

STARTER MOTOR GROUP

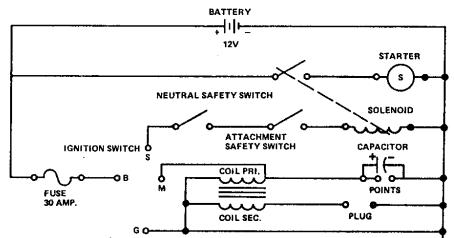


KEY NO.	PART NO.	DESCRIPTION
310	391709	Thru Bolt Assy.
311	391708	Brush Assy.
510	391481	*Drive Assy.
544	392747	Armature Assy.
801	391751	End Cap Assy. Drive
802	390846	End Cap Assy. Commutator
803	392744	Housing Assy.

* Includes Brush Set
* Includes No. 39135 Clutch Assy. (Key No. 513)
* Includes No. 890194 Gear (Key No. 783)
* Includes No. 391462 Retainer and Pin (Key No. 773)

REPAIR PARTS

36" RIDING LAWN TRACTOR-MODEL NUMBER L8218CR
SCHEMATIC DIAGRAM



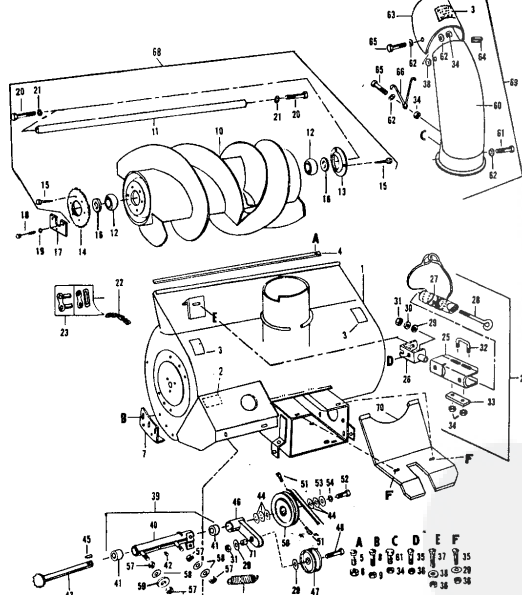
IGNITION SWITCH	
POSITION	CIRCUIT
OFF	M-G
ON	B-L
START	B-S

WIRING INSULATED CLIPS

If Insulated Clips were removed for servicing of unit, they should be replaced to properly secure your wiring. There are three Insulated Clips on your Tractor.

1. L.H. side of Tractor for safety switch wires (Key No. 28, page 14).
2. R.H. side of Tractor securing wire harness and cable wire (Key No. 31, page 14).
3. Headlight wire (Key No. 26, page 14).

36" ROOPER SNOW THROWER LAO49AR



E519 (10.1.78)

Order all replacement parts for this model snow thrower from HABAN MFG CO. 100 W. W. PARKWAY RACINE, WIS. 53407

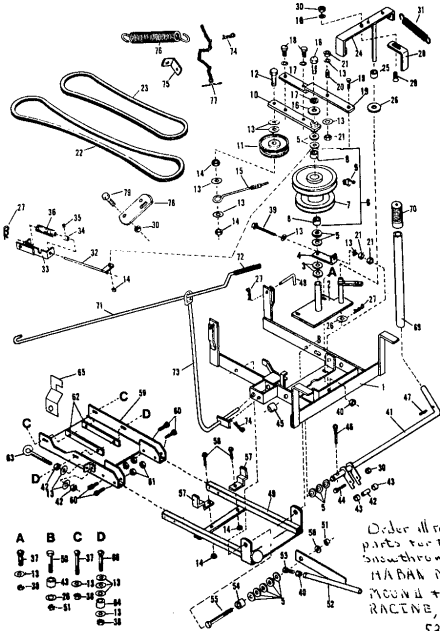
36" ROOPER SNOW THROWER LAO49AR

Ref. No.	Part No.	Description	No. Req.	Ref. No.	Part No.	Description	No. Req.
1	11372	Assy-Header & Decal	1	38	4506	* Washer-13/32 x 1-1/2 x 16 ga.	3
2	9713	Decal	1	39	11378	Assy-Jackshaft hsg. & Bushings	1
3	9663	Decal-Warning	3	40	11379	Assy-Jackshaft hsg.	1
4	3013	Blade-Scraper	1	41	3034	Bushing	2
5	7090	* Bolt-1/4-20 x 5/8 carriage	7	42	5074	* Fitting-Grease	1
6	GM271178	* Nut & Lock washer 1/4-20 hex.	2	43	3143	Assy-Jackshaft & sprocket	1
7	3045	Shoe-Skid	7	44	3396	* Washer-49/64 x 1-1/2 x .058 flat	1
8	STD533107	* Bolt-5/16-18 x 3/4	6	45	STD580103	* Key-3/16 sq. x 1	1
9	GM271184	* Nut & Lock washer 5/16-18 hex	6	46	11381	Assy-Idler Arm	1
10	9044	Assy-Auger	1	47	11496	Assy-Idler Pulley	1
11	8350	Shaft-Auger	1	48	STD 723725	* Bolt - 3/8-16 x 2-1/2 hex hd	1
12	9052	Bearing-Auger Shaft	2	50	1384	Assy-Pulley & Hub	1
13	5473	Flange-Bearing	1	51	GM-142671	* Screw-Set 5/16-18 x 1/2 sq hd cap pt	2
14	8287	Sprocket-Auger (35 tooth)	1	52	STD523707	* Bolt-3/8-16 x 3/4 hex hd	1
15	9131	* Screw-5/16-18 x 3/4 Self-tapping	9	53	G4446363	* Washer-3/8 x 7/8 x .063 flat	1
16	4143	* Washer-1-1/32 x 1-1/2 x 1/8 flat	2	54	STD551137	* Washer-3/8 med lock Spring	1
17	8185	Plate-Auger mounting	1	55	3059	Washer	1
18	STD523106	* Bolt-5/16-18 x 5/8 hex hd	3	57	STD541050	* Nut-1/2-13 hex	4
19	STD551131	Washer-5/16 med lock	2	58	GM120389	* Washer-1/2 x 1-1/4 x .063 flat	3
20	STD525012	* Bolt-1/2-13 x 1-1/4 hex hd	2	59	6979	Washer	1
21	STD551150	Washer-1/2 med lock	2	60	4957	Assy-Deflector & Elbow	2
22	3911	Chain-Auger Drive (70 links)	1	61	STD522510	* Bolt-1/4-20x1/2 hex hd	2
23	8456	Repair Kit for Chain Bracket	1	62	3903	Washer-Cable	6
24	9283	Assy-Stack Drive	1	63	9766	Assy-Deflect & Deflector	1
25	9030	Shroud-Stack Drive	1	64	6558	Molding-deflector	1
26	9032	Assy-Brt. & Tube	1	65	STD522507	* Bolt-1/4-20 x 3/4 hex hd	3
27	8346	Assy-Cable, Tube & Sleeves	1	66	3076	Hook-Lift Spring	1
28	3955	Eye Bolt-Drive Tube	1	68	9043	Assy-Auger (16) Comp.	1
29	GM120388	* Washer-7/16 x 1 x .063 flat	5	69	6457	Elbow	1
30	4772	Spring-Washer	1	70	11420	Guard-Drive Pulley	1
31	STD541437	Nut-3/8-16 hex lock	2	71	5711	Spacer	1
32	8236	U-Bolt-Level Wind	1				
33	8399	Strap-Friction	1				
34	STD541425	* Nut-1/4-20 hex lock	6				
35	STD533707	* Bolt-3/8-16 x 3/4 carriage	3				
36	GM271190	* Nut & Lock Washer 3/8-16 hex	4				
37	STD533710	* Bolt-3/8-16 x 1 carriage	1				

E520 (10.1.78)

*standard hardware - purchased locally

36" ROPER SNOW THROWER LA049AR



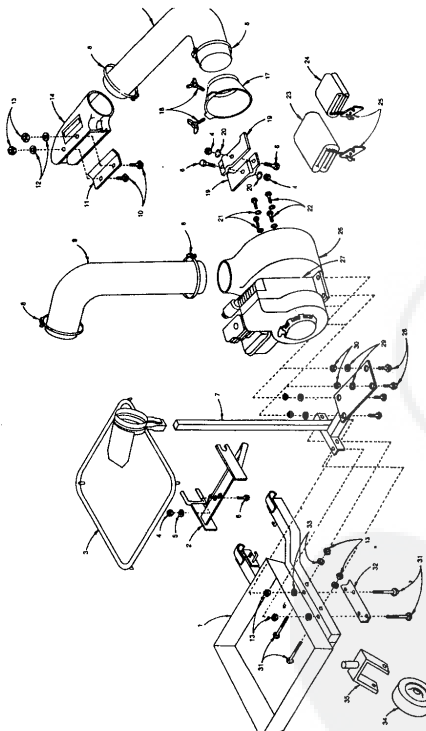
E521 (10.1.78)

36" ROPER SNOW THROWER LA049AR

Ref. No.	Part No.	Description	No. Req.	Ref. No.	Part No.	Description	No. Req.
1	11449	Assy - Mounting Frame (Upper)	1	41	7925	Assy - Lift Bar	1
2	11401	Assy - Pulley Mtg. Brkt.	1	42	3027	Spacer	1
3	STD551075	*Washer - 13/16 x 1-1/2 x .083 flat	1	43	1346	Spacer	1
4	11403	Bracket - 134 Flat	1	44	STD523120	Bolt - 5/16-18 x 2 hex	1
5	3396	*Washer - 49/64 x 1-1/2 x .0598 flat	12	45	6179	Spacer	1
6	9775	Assy - Pulley Hsg (comp)	1	46	GM120123	Pin - Cotter (1/8 x 1 1/2)	1
7	9776	Assy - Pulley Hsg.	1	47	STD571810	Pin - Roll (3/16 x 1)	1
8	8689	Bearing - Needle	2	48	5736	Pin - Locating	2
9	5074	*Fitting - Grease	1	49	9778	Assy - Mounting Frame	1
10	11404	Assy - Clutch Arm	1	50	STD525015	Bolt - 1/2-13 x 1-1/2 hex hd	2
11	11496	Idler pulley	1	51	STD541450	Nut - 1/2-13 hex lock	1
12	STD723725	*Bolt - 3/8-16 x 2-1/2 hex hd	1	52	9796	Assy - Lift Act.	1
13	GM120388	*Washer - 7/16 x 1" x .083 flat	24	53	6441	Bolt - 3/8-16 x 2 hex hd full thd	1
14	STD541437	*Nut - 3/8-16 hex lock	5	54	11285	Spacer	1
15	11486	Washer - Bolt Gauge	1	55	STD525020	Bolt - 1/2-13 x 2 hex	1
16	GM446363	*Washer - 3/8 x 7/8 x .083 flat	2	56	GM120389	*Washer - 1/2 x 1-1/4 x .083 flat	1
17	STD551137	*Washer - 3/8 med lock	3	57	11461	Stop - Position	2
18	STD523707	*Bolt - 3/8-16 x 3/4 hex hd	4	58	STD523710	Bolt - 3/8-16 x 1 hex	2
19	11407	Bracket - Clutch Lever	1	59	11417	Assy - Pivot Brkt.	1
20	11410	Stud - Brake Release	1	60	STD523117	Bolt - 5/16-18 x 1-3/4 hex hd	4
21	STD541237	*Nut - 3/8-16 hex jam	4	61	STD541431	*Nut - 5/16-18 hex lock	4
22	11361	V-belt	1	62	11418	Strap - Header Channel	2
23	11367	V-belt	1	63	3058	Eye Bolt	2
24	11442	Assy - Belt Brake	1	64	5713	Spacer	2
25	6017	Spacer	3	65	11419	Bracket	1
26	STD551050	*Washer - 17/32 x 1-1/16 x .095	3	66	GM126422	Bolt - 3/8-16 x 2-1/4 carriage	2
27	STD624005	*Pin - Hair	4	69	6078	Handle - Lift	1
28	11414	Popper - V-belt	1	70	3339	Grip - Handle	1
29	STD533110	*Bolt - 5/16-18 x 1" carriage	1	71	4355	Rod - Crank	1
30	GM271184	*Nut & L/washer 5/16 -18 hex	6	72	10840	Handle - Grip	1
31	3059	Spring	1	73	11430	Assy - Crank Support	1
32	11458	Assy - Clutch Rod	1	74	STD624010	Pin - Hair Cotter	2
33	11019	Assy - Clutch Brkt.	1	75	7630	Bracket	1
34	10817	Collar	1	76	4798	Spring - Lift	1
35	4122	*Set Screw - 5/16-18 x 5/16 socket	4	77	5737	Assy - Chain & Toggle	1
36	3077	Spring	1	78	9222	Strap - Rear Mtg.	2
37	STD533710	*Bolt - 3/8-16 x 1 carr	1	79	STD523108	Bolt - 5/16-18 x 5/8 hex hd	4
38	GM271190	*Nut & L/washer 3/8 -16 hex	6	NP	11558	Manual - Instruction and Repair	1
39	6475	*Bolt - 3/8-16 x 3-1/2 full thd hex hd	1				
40	STD541037	*Nut - 3/8-16 Lt hex	6				

E522 (10.1.78)

*Standard Hardware - Purchased Locally



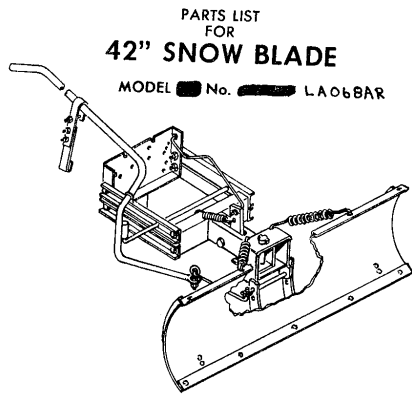
Repair Parts, PEC-301

REPAIR PARTS

LA05 Model Number PEC-301

KEY NO.	PART NUMBER	DESCRIPTION	REQ'D.
1	C-1-A	Tray and Support Assembly	1
2	C-4-N	Hitch Assembly	1
3	C-2-A	Bag Support Ring	1
4	STD-541050	Hex Nut, 1/2-13	3
5	STD	Lockwasher, 1/2 SAE	1
6	STD-525015	Hex Bolt, 1/2-13 x 1-1/2	3
7	C-3-A	Engine Support and Upright	1
8	C-10-A	Hose Clamp, 6" Dia.	4
9	C-18-A	Flex Hose, 6" Dia. x 40" Long	1
10	STD-533710	Carriage Bolt, 3/8-16 x 1	2
11	C-25-A	Boot Clamp Plate	1
12	STD-51037	Flat Washer, 3/8 SAE	2
13	STD-541237	Hex Nut, 3/8-16	6
14	B-361	Boot, 36" Hower Deck	1
16	C-27-A	Flex Hose, 6" Dia. x 36" Long	1
17	C-9-A	Blower Cone, 6" Dia.	1
18	W516182N	Wing Bolt, 5/16-18 x 2	2
19	W516182N	Wing Bolt, 5/16-18 x 2	2
19	C-11-A	Blower Blades (Set)	1
20	STD-551250	Internal Tooth Lockwasher, 1/2	2
21	STD-641231	Internal Tooth Lockwasher, 5/16	4
22	STD-623107	Hex Bolt, 5/16-24 x 7/8	4
23	C-16-A	Canvas Bag	1
24	C-17-A	Canvas Bag Cover	1
25	C-29-A	Full Cord Fastener	2
26	C-8-A	Blower Housing	1
27	143.654192	Tecumseh H35 45462L Model No. 143.654192	1
28	STD-523115	Hex Bolt, 5/16-18 x 1-1/2	4
29	STD-551131	Lockwasher, 5/16 SAE	4
30	STD-541131	Hex Nut, 5/16-18	4
31	STD-523725	Hex Bolt, 3/8-16 x 2-1/2	4
32	C-24-A	Reinforcing Angle	1
33	STD-551137	Lockwasher, 3/8 SAE	4
34	C-27-A	Wheel, 8-1/4" Dia. x 2-3/4 Wide	1
35	C-28-A	Caster Assembly	1
	PEC-301	Owner's Manual	1

Order All Replacement Parts For Model LA05
PE-CO
2807 Sweeten Creek Road,
Ashville, N.C. 28803



42" SNOW BLADE KIT PARTS LIST

Order Parts From
Peeco Inc.
1902 South Main
South Bend, Ind
46613

Part No.	Description	Qty.	Part No.	Part No.	Description	Qty.	Part No.
1	Blade Assembly	1	110001	19	Latch, Lower	1	110071
2	Drawbar Assembly	1	110004	20	Screw, Hex. Hd. Cap (5/16" x 1 1/2")	2	20059
3	Frame Assembly	1	110002	21	Screw, Hex. Hd. Cap (5/16" x 1 1/2")	1	20060
4	Parallel Bar Assembly - Upper	1	110005	22	Screw, Hex. Hd. Cap (3/8" x 1 1/2")	8	20061
5	Parallel Bar Assembly - Lower	1	110006	23	Screw, Hex. Hd. Cap (3/8" x 1 1/2")	1	20043
6	Frame Mount Assembly	1	110007	24	Bolt, Chelega (1/4" x 3 1/4")	5	110010
7	Handle Assembly	1	120001	25	Bolt, Chelega (1/4" x 1 1/4")	4	110044
8	Blade Grip	1	20001	26	Bolt, Flat (1/4" x 1 1/4")	1	110045
9	Link, Index	1	20002	27	Washer, Med. Splitlock (1/4")	5	20010
10	Link, Pivot	1	20003	28	Washer, Med. Splitlock (3/8")	5	20011
11	Bar, Index	1	110008	29	Washer, Med. Splitlock (3/8")	5	20012
12	Latch, Upper	1	110007	30	Washer, Plain (5/16" x 3/8")	5	20018
13	Spring, Blade	2	80001	31	Nut, Hex (1/4" x 1/2")	8	20019
14	Spring, Tension	1	80001	32	Nut, Hex (5/16" x 1/2")	5	20020
15	Pin, Clevis	1	20002	33	Nut, Hex (5/16" x 1/2")	5	20021
16	Rod, Clevis	1	20003	34	Pin, Cotter (1/8" x 1")	5	20010
17	Shaver, Parallel Bar	8	120002	35	Nut, Jam (5/16" x 1/2")	5	20060
18	Extension, Handle	1	20004	36	Handle Bar Grip	1	80001

MINIMUM PARTS ORDER \$5.00. ALL STANDARD HARDWARE ITEMS MAY BE PURCHASED LOCALLY.