

**EUROMOW**



# REPAIR PARTS MANUAL

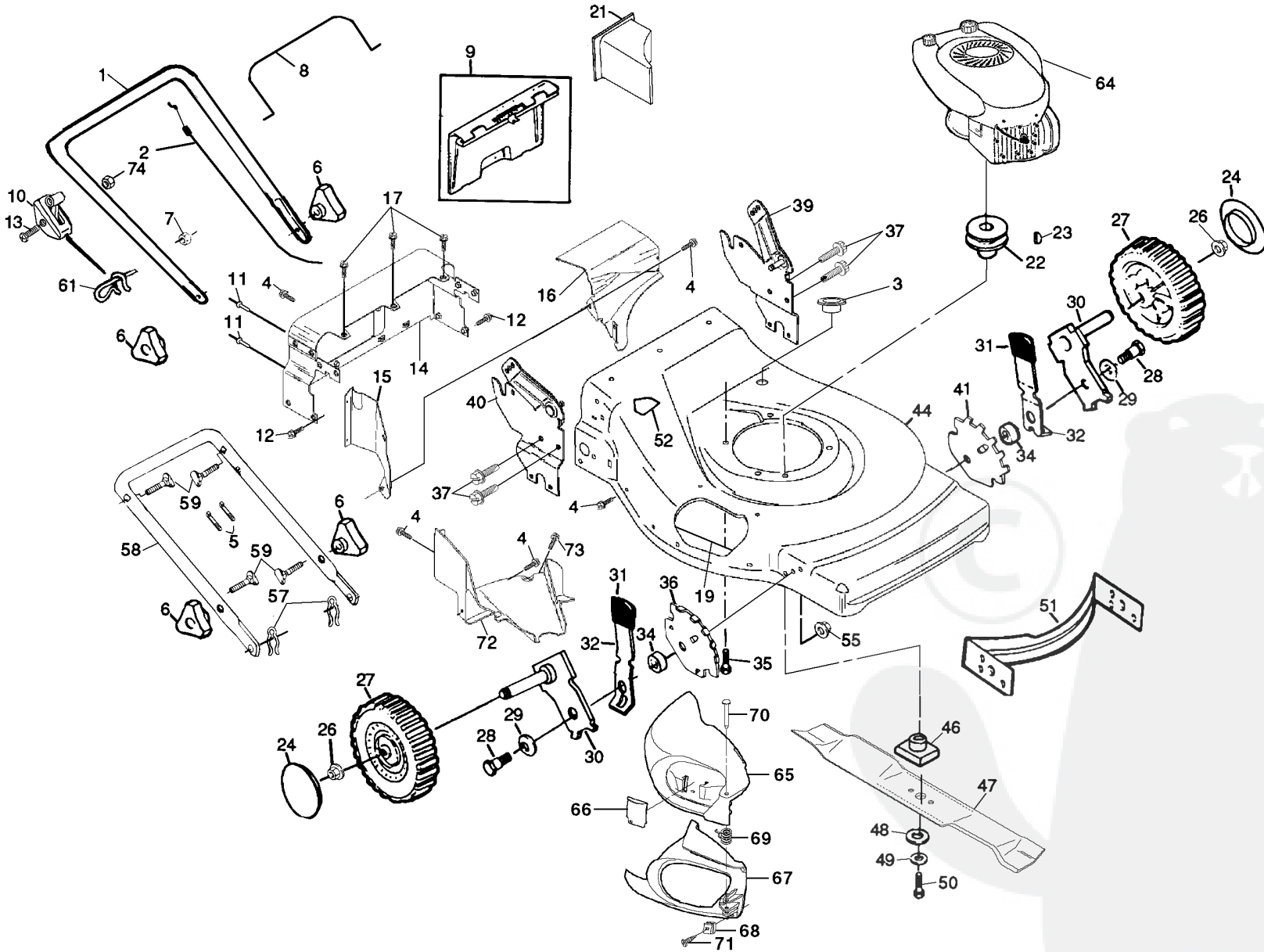
## MODEL NO. EU4V876B

### Lawn Mower



# REPAIR PARTS

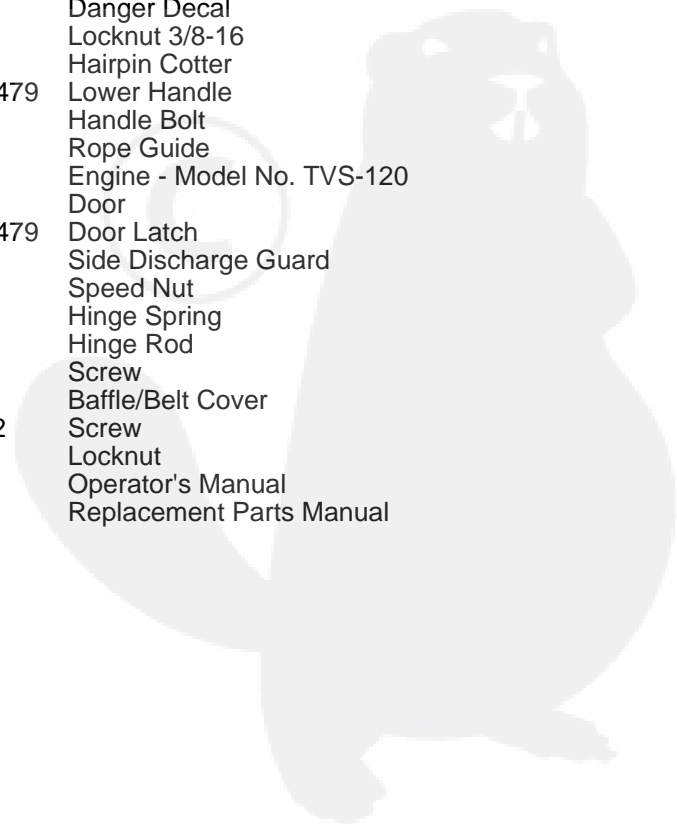
## ROTARY LAWN MOWER MODEL NUMBER EU4V876B



# REPAIR PARTS

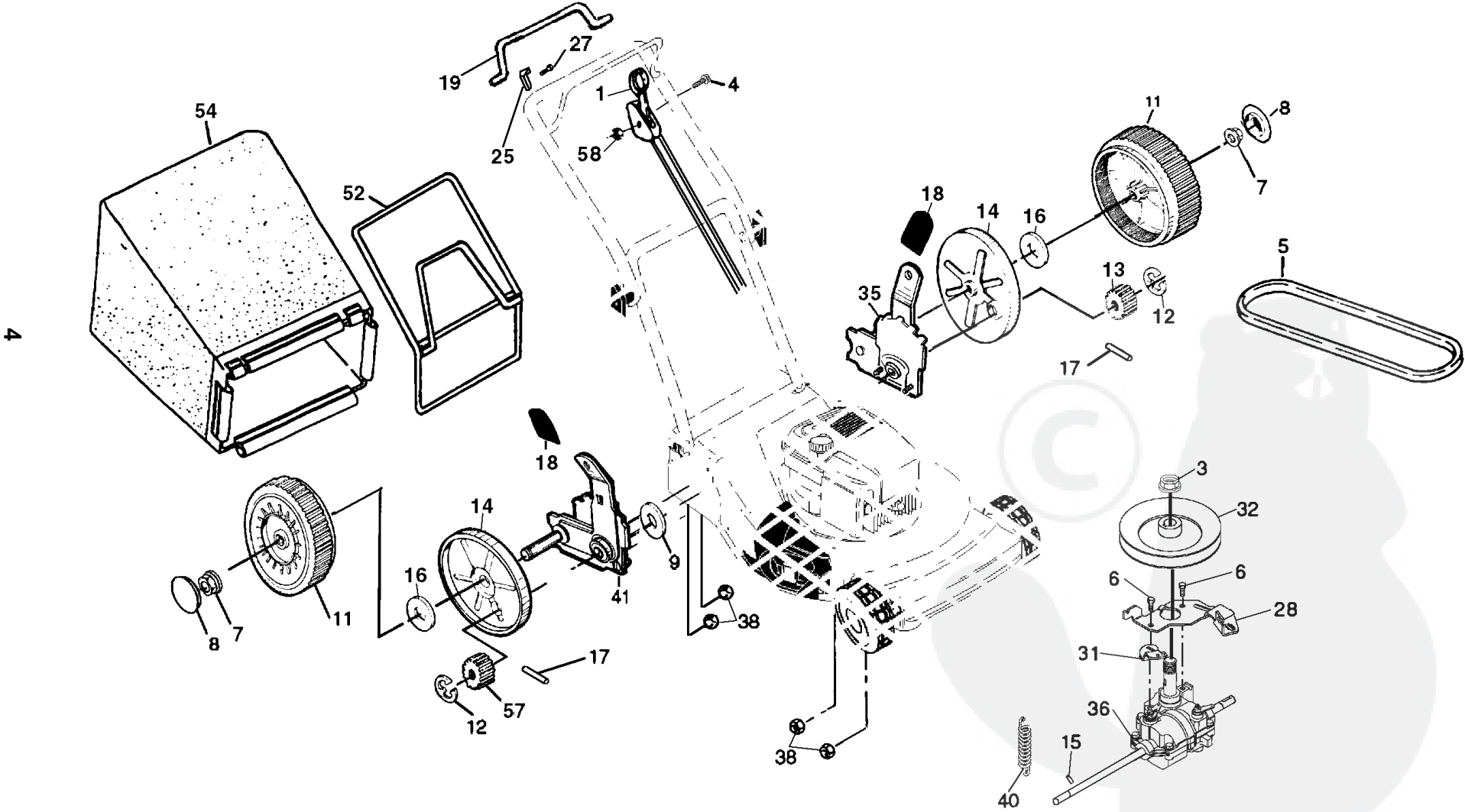
## ROTARY LAWN MOWER MODEL NUMBER EU4V876B

| KEY NO. | PART NO.   | DESCRIPTION                           | KEY NO. | PART NO.   | DESCRIPTION                                  |
|---------|------------|---------------------------------------|---------|------------|--|
| 1       | 166859X479 | Upper Handle                          | 36      | 134340     | Wheel Adjusting Bracket (Right)              |
| 2       | 153285     | Engine Zone Control Cable             | 37      | 150087     | Thread Cutting Screw 5/16-18 x 3/4           |
| 3       | 145073     | Grommet, Cable                        | 39      | 153304X479 | Handle Bracket Assembly (Left)               |
| 4       | 150050     | Screw                                 | 40      | 153305X479 | Handle Bracket Assembly (Right)              |
| 5       | 66426      | Wire Tie                              | 41      | 134341     | Wheel Adjusting Bracket (Left)               |
| 6       | 87692      | Handle Knob                           | 44      | 153080     | Lawn Mower Housing (Incl. Key #14,15,51 &52) |
| 7       | 751152     | Locknut                               | 46      | 851514     | Blade Adapter                                |
| 8       | 145641     | Control Bar, Engine                   | 47      | 141443     | Blade 22"                                    |
| 9       | 147690     | Rear Door Kit                         | 48      | 851074     | Hardened Washer                              |
| 10      | 158059     | Throttle Control                      | 49      | 850263     | Helical Washer 3/8-24 x 1-3/8 Grd. 8         |
| 11      | 128415     | Pop Rivets                            | 50      | 851084     | Hex Head Machine Screw 3/8-24 x 1-3/8 Grd. 8 |
| 12      | STD512505  | Hex Tapping Screw 1/4-20 x 1/2        | 51      | 165562     | Front Baffle                                 |
| 13      | 59935      | Screw                                 | 52      | 145494     | Danger Decal                                 |
| 14      | 144991X479 | Back Plate                            | 55      | 751592     | Locknut 3/8-16                               |
| 15      | 145594X479 | Side Baffle                           | 57      | 51793      | Hairpin Cotter                               |
| 16      | 145066X479 | Discharge Baffle                      | 58      | 151723X479 | Lower Handle                                 |
| 17      | 149027     | Truss Head Tapping Screw 1/4-20 x 1/2 | 59      | 131959     | Handle Bolt                                  |
| 19      | 148152X479 | Baffle Plate                          | 61      | 132001     | Rope Guide                                   |
| 21      | 150099     | Mulcher Plug                          | 64      | -----      | Engine - Model No. TVS-120                   |
| 22      | 85543      | Engine Pulley                         | 65      | 701458     | Door   |
| 23      | 87677      | Hi-Pro Key #505                       | 66      | 143984X479 | Door Latch                                   |
| 24      | 77400      | Hubcap                                | 67      | 702807     | Side Discharge Guard                         |
| 26      | 83923      | Nut, Hex Flange                       | 68      | 141839     | Speed Nut                                    |
| 27      | 146247     | Wheel & Tire Assembly                 | 69      | 702808     | Hinge Spring                                 |
| 28      | 142748     | Shoulder Bolt 3/8-16                  | 70      | 702809     | Hinge Rod                                    |
| 29      | 62335      | Belleville Washer                     | 71      | 141841     | Screw  |
| 30      | 145937X004 | Axle Arm Assembly                     | 72      | 145062     | Baffle/Belt Cover                            |
| 31      | 701037     | Selector Knob                         | 73      | 17411312   | Screw  |
| 32      | 850862X004 | Selector Spring                       | 74      | 751152     | Locknut                                      |
| 34      | 146630     | Spacer                                | --      | 167256     | Operator's Manual                            |
| 35      | 150406     | Engine Bolt                           | --      | 167257     | Replacement Parts Manual                     |



# REPAIR PARTS

## ROTARY LAWN MOWER MODEL NUMBER EU4V876B



# REPAIR PARTS

## ROTARY LAWN MOWER MODEL NUMBER EU4V876B

| KEY NO. | PART NO.  | DESCRIPTION               |
|---------|-----------|---------------------------|
| 1       | 162716    | Drive Control             |
| 3       | M73031000 | Nut, Metric               |
| 4       | 144929    | Screw 1/4-20              |
| 5       | 150327    | V-Belt                    |
| 6       | 146315    | Screw                     |
| 7       | 145212    | Nut, Hex Flange           |
| 8       | 77400     | Hubcap                    |
| 9       | 57079     | Washer                    |
| 11      | 155170    | Wheel & Tire Assembly 9"  |
| 12      | 12000058  | E-Ring                    |
| 13      | 165097    | Pinion, L.H.              |
| 14      | 88080     | Dust Cover                |
| 15      | 145354    | Pin, Spring Thrust        |
| 16      | 67725     | Washer 1/2 x 1-1/2 x .134 |
| 17      | 164795    | Drive Pin                 |
| 18      | 701037    | Selector Knob             |

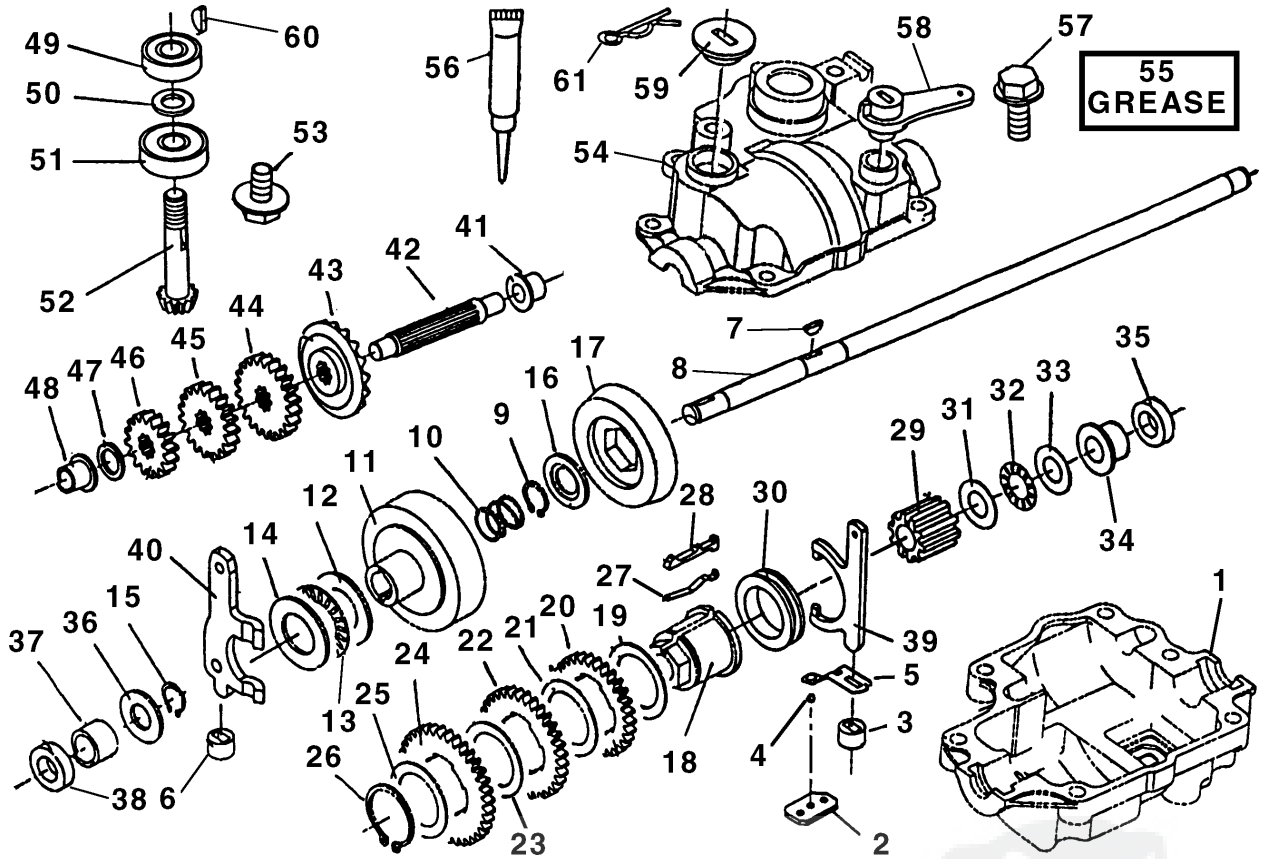
| KEY NO. | PART NO.   | DESCRIPTION                     |
|---------|------------|---------------------------------|
| 19      | 162715     | Control Bar, Drive              |
| 25      | 850733X004 | Upstop Bracket                  |
| 27      | 750097     | Screw #10-24 x 1/2              |
| 28      | 145096X004 | Bracket, Gearcase               |
| 31      | 145842X004 | Lever, Clutch                   |
| 32      | 150326     | Drive Pulley                    |
| 35      | 155181     | Wheel Adjuster Assembly (Left)  |
| 36      | 150330     | Gear Case Assembly              |
| 38      | 63601      | Hex Locknut 1/4-20              |
| 40      | 144902     | Spring, Belt Tension            |
| 41      | 155180     | Wheel Adjuster Assembly (Right) |
| 52      | 150224     | Catcher Frame                   |
| 54      | 150717     | Grassbag Assembly               |
| 57      | 165096     | Pinion, R.H.                    |
| 58      | 751152     | Hex Nut Flange Lock 1/4 - 20    |



# REPAIR PARTS

## ROTARY LAWN MOWER MODEL NUMBER EU4V876B

### GEAR CASE ASSEMBLY 150330



#### KEY PART NO. NO.

#### DESCRIPTION

|    |        |                         |
|----|--------|-------------------------|
| 1  | 148145 | Case, Lower             |
| 2  | 148123 | Plate, Detent           |
| 3  | 148118 | Support, Fork, Shift    |
| 4  | 148135 | Ball, Detent            |
| 5  | 148122 | Spring, Detent          |
| 6  | 148132 | Support, Fork, Clutch   |
| 7  | 148093 | Key, Woodruff           |
| 8  | 148114 | Axle, Shaft             |
| 9  | 148095 | Ring, 12.7              |
| 10 | 148109 | Spring, Return          |
| 11 | 148102 | Cone, Cave              |
| 12 | 148112 | Washer, Thrust          |
| 13 | 148108 | Bearing, Thrust, Needle |
| 14 | 148112 | Washer, Thrust          |
| 15 | 148095 | Ring, 12.7              |
| 16 | 148096 | Washer, Retainer        |
| 17 | 148103 | Cone                    |
| 18 | 148101 | Collar, Shift           |
| 19 | 148097 | Washer                  |
| 20 | 148083 | Gear, 33 Teeth          |
| 21 | 148097 | Washer                  |
| 22 | 148075 | Gear, 36 Teeth          |
| 23 | 148097 | Washer                  |
| 24 | 154844 | Gear, 40 Teeth          |
| 25 | 148097 | Washer                  |
| 26 | 148113 | Ring 28                 |
| 27 | 148119 | Spring, Shift           |
| 28 | 148121 | Key, Shift              |
| 29 | 148098 | Support, Key            |
| 30 | 148115 | Collar, Shift           |
| 31 | 148111 | Washer, Thrust 1/2      |
| 32 | 148110 | Bearing, Thrust, Needle |

#### KEY PART NO. NO.

#### DESCRIPTION

|    |        |                           |
|----|--------|---------------------------|
| 33 | 148111 | Washer, Thrust 1/2        |
| 34 | 148106 | Bushing, Transmission 1/2 |
| 35 | 148107 | Seal 1/2                  |
| 36 | 148096 | Washer, Retainer          |
| 37 | 148104 | Bushing, Transmission     |
| 38 | 148107 | Seal 1/2                  |
| 39 | 148116 | Fork, Shift               |
| 40 | 148124 | Fork, Clutch              |
| 41 | 148069 | Bushing                   |
| 42 | 148065 | Shaft, Reduction          |
| 43 | 148066 | Gear, Bevel 35 Teeth      |
| 44 | 148080 | Gear, Spur 19 Teeth       |
| 45 | 148072 | Gear, Spur 16 Tooth       |
| 46 | 154845 | Gear, Spur 12 Tooth       |
| 47 | 148067 | Washer                    |
| 48 | 148069 | Bushing                   |
| 49 | 148141 | Bearing, Ball 6000U       |
| 50 | 148139 | Washer, 10                |
| 51 | 148140 | Bearing, Ball 6200        |
| 52 | 148137 | Shaft, Input              |
| 53 | 148146 | Screw, Self-Tapping       |
| 54 | 148144 | Case, Upper               |
| 55 | - - -  | Grease                    |
| 56 | 148142 | Sealant                   |
| 57 | 148147 | Screw, Self-Tapping, Case |
| 58 | 148117 | Arm, Shift                |
| 59 | 148127 | Support, Upper, Clutch    |
| 60 | 148138 | Key, Woodruff             |
| 61 | 148133 | Pin, Snap 14              |

**NOTE:** All component dimensions given in U.S. inches  
1 inch = 25.4 mm

**CONGRATULATIONS** on your purchase of a new lawn mower. Your lawn mower has been designed, engineered and manufactured to give you the best possible dependability and performance.

## LIMITED WARRANTY

The Manufacturer warrants to the original consumer purchaser that this product as manufactured is free from defects in materials and workmanship. For a period of one (1) year from date of purchase by the original consumer purchaser, we will repair or replace, at our option, without charge for parts or labor incurred in replacing parts, any part which we find to be defective due to materials or workmanship. This Warranty is subject to the following limitations and exclusions.

1. This warranty does not apply to the engine, other than FHP manufactured transaxle/transmission components, battery (except as noted below) or components parts thereof. Please refer to the applicable manufacturer's warranty on these items.
2. Transportation charges for the movement of any power equipment unit or attachment are the responsibility of the purchaser. Transportation charges for any parts submitted for replacement under this warranty must be paid by the purchaser unless such return is requested by Frigidaire Home Products.
3. Battery Warranty: On products equipped with a Battery, we will replace, without charge to you, any battery which we find to be defective in manufacture, during the first ninety (90) days of ownership. After ninety (90) days, we will exchange the Battery, charging you 1/12 of the price of a new Battery for each full month from the date of the original sale. Battery must be maintained in accordance with the instructions furnished.
4. The Warranty period for any products used for rental or commercial purposes is limited to 45 days from the date of original purchase.
5. This Warranty applies only to products which have been properly assembled, adjusted, operated, and maintained in accordance with the instructions furnished. This Warranty does not apply to any product which has been subjected to alteration, misuse, abuse, improper assembly or installation, delivery damage, or to normal wear of the product.
6. Exclusions: Excluded from this Warranty are belts, blades, blade adapters, normal wear, normal adjustments, standard hardware and normal maintenance.
7. In the event you have a claim under this Warranty, you must return the product to an authorized service dealer.

Should you have any unanswered questions concerning this Warranty, please contact:

Frigidaire Home Products  
Outdoor Products Customer Service Dept.  
250 Bobby Jones Expressway  
Augusta, GA 30909 USA

In Canada contact:  
Frigidaire Home Products  
7075 Ordan Drive  
Mississauga, Ontario  
L5T 1K6

giving the model number, serial number and date of purchase of your product and the name and address of the authorized dealer from whom it was purchased.

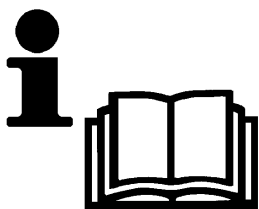
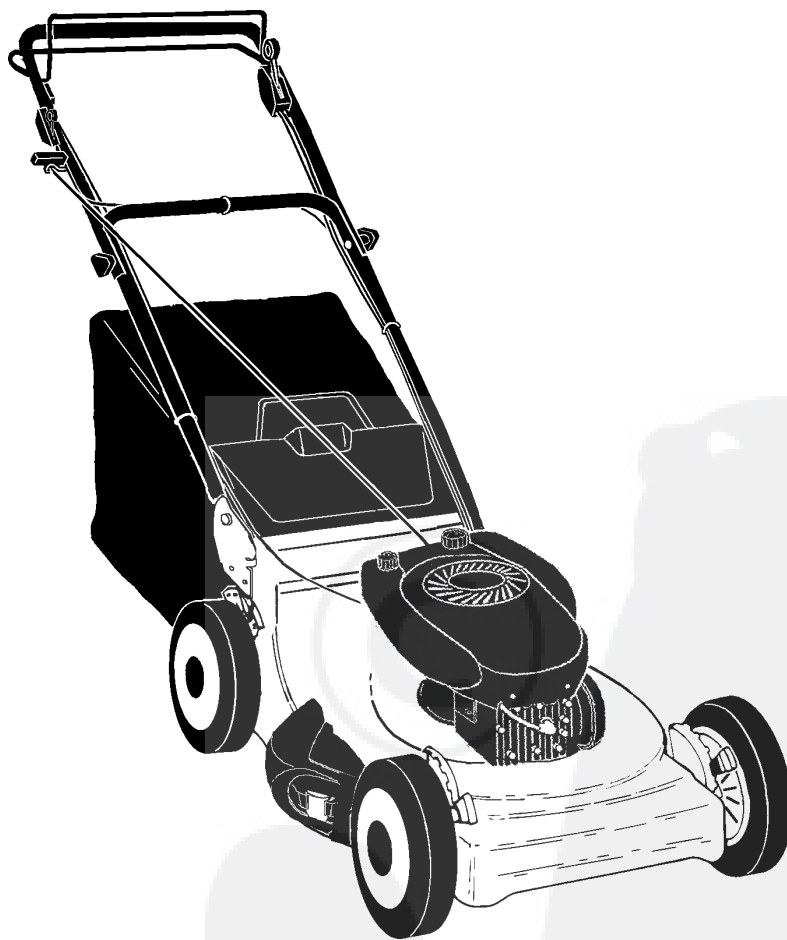
THIS WARRANTY DOES NOT APPLY TO INCIDENTAL OR CONSEQUENTIAL DAMAGES AND ANY IMPLIED WARRANTIES ARE LIMITED TO THE SAME TIME PERIODS STATED HEREIN FOR OUR EXPRESSED WARRANTIES. Some areas do not allow the limitation of consequential damages or limitations of how long an implied Warranty may last, so the above limitations or exclusions may not apply to you. This Warranty gives you specific legal rights, and you may have other rights which vary from locale to locale.

This is a limited Warranty within the meaning of that term as defined in the Magnuson-Moss Act of 1975.



# EUROMOW

## EU4V876



### **Instruction manual**

Please read these instructions carefully and make sure you understand them before using this machine.

### **Anleitungshandbuch**

Bitte lesen Sie diese Anleitungen sorgfältig durch und vergewissern Sie sich, daß Sie diese verstehen, bevor Sie die Maschine in Betrieb nehmen.

### **Manuel d'instructions**

S'il vous plaît lisez soigneusement et soyez sûr de comprendre ces instructions avant d'utiliser cette machine.

### **Manual de las instrucciones**

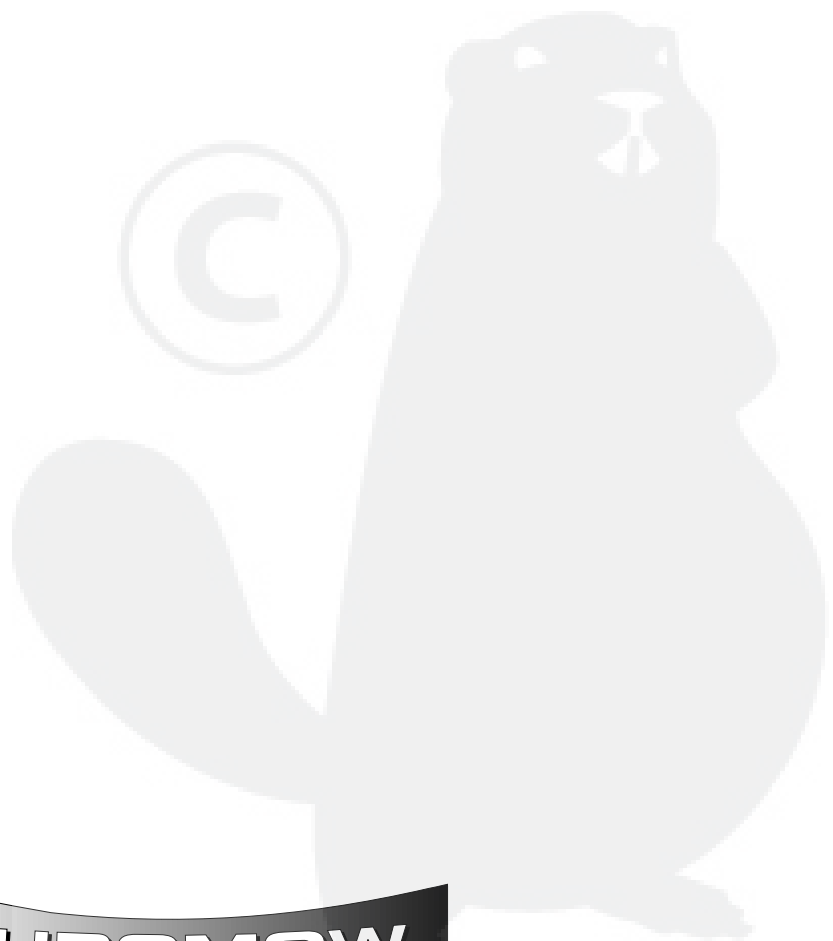
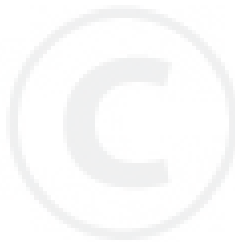
Por favor lea cuidadosamente y comprenda estas intrucciones antes de usar esta maquina.

### **Manuale di istruzioni**

Prima di utilizzare la macchina leggete queste istruzioni con attenzione ed accertatevi di averle comprese bene.

### **Instructieboekje**

Lees deze instructies aandachtig en zorg dat u ze begrijpt voordat u deze machine gebruikt.



**EUROMOW**

**GB CONTENTS**

|                            |                 |
|----------------------------|-----------------|
| <b>Safety rules</b>        | <b>Page 3-8</b> |
| <b>Technical data</b>      | <b>9</b>        |
| <b>Overview</b>            | <b>10</b>       |
| <b>Assembly</b>            | <b>11-15</b>    |
| <b>Adjustments</b>         | <b>16</b>       |
| <b>Start and stop</b>      | <b>17-19</b>    |
| <b>Use</b>                 | <b>20</b>       |
| <b>Maintenance</b>         | <b>21-22</b>    |
| <b>General information</b> | <b>23</b>       |

**E INDICE**

|                                   |                 |
|-----------------------------------|-----------------|
| <b>Reglas de seguridad</b>        | <b>sivu 3-8</b> |
| <b>Especificaciones técnicas</b>  | <b>9</b>        |
| <b>Sumario</b>                    | <b>10</b>       |
| <b>Montaje</b>                    | <b>11-15</b>    |
| <b>Regulación</b>                 | <b>16</b>       |
| <b>Arranque y parada</b>          | <b>17-19</b>    |
| <b>Aplicación del cortacésped</b> | <b>20</b>       |
| <b>Mantenimiento</b>              | <b>21-22</b>    |
| <b>Informaciones generales</b>    | <b>23</b>       |

**D INHALTSVERZEICHNIS**

|                                 |                  |
|---------------------------------|------------------|
| <b>Sicherheitsregeln</b>        | <b>Seite 3-8</b> |
| <b>Technische Daten</b>         | <b>9</b>         |
| <b>Übersicht</b>                | <b>10</b>        |
| <b>Montieren</b>                | <b>11-15</b>     |
| <b>Einstellung</b>              | <b>16</b>        |
| <b>Start und Abstellen</b>      | <b>17-19</b>     |
| <b>Gebrauch des Rasenmähers</b> | <b>20</b>        |
| <b>Wartung</b>                  | <b>21-22</b>     |
| <b>Allgemeine Erläuterungen</b> | <b>23</b>        |

**NL INHOUD**

|                               |                |
|-------------------------------|----------------|
| <b>Veiligheidsmaatregelen</b> | <b>Pag.3-8</b> |
| <b>Technische gegevens</b>    | <b>9</b>       |
| <b>Overzicht</b>              | <b>10</b>      |
| <b>Monteren</b>               | <b>11-15</b>   |
| <b>Instellen</b>              | <b>16</b>      |
| <b>Starten en stoppen</b>     | <b>17-19</b>   |
| <b>Gebruik van de maaier</b>  | <b>20</b>      |
| <b>Onderhoud</b>              | <b>21-22</b>   |
| <b>Algemene inlichtingen</b>  | <b>23</b>      |

**F TABLE DES MATIERES**

|                                   |                 |
|-----------------------------------|-----------------|
| <b>Mesures de sécurité</b>        | <b>page 3-8</b> |
| <b>Données techniques</b>         | <b>9</b>        |
| <b>Aperçu</b>                     | <b>10</b>       |
| <b>Montage</b>                    | <b>11-15</b>    |
| <b>Réglage</b>                    | <b>16</b>       |
| <b>Marche et arrêt</b>            | <b>17-19</b>    |
| <b>Utilisation de la tondeuse</b> | <b>20</b>       |
| <b>Entretien</b>                  | <b>21-22</b>    |
| <b>Renseignements généraux</b>    | <b>23</b>       |

**I INDICE DEL CONTENUTO**

|                                 |                   |
|---------------------------------|-------------------|
| <b>Norme de sicurezza</b>       | <b>Pagina 3-8</b> |
| <b>Caratteristiche tecniche</b> | <b>9</b>          |
| <b>Sommario</b>                 | <b>10</b>         |
| <b>Montaggio</b>                | <b>11-15</b>      |
| <b>Regolazione</b>              | <b>16</b>         |
| <b>Avviamento ed arresto</b>    | <b>17-19</b>      |
| <b>Uso della falciatrice</b>    | <b>20</b>         |
| <b>Manutenzione</b>             | <b>21-22</b>      |
| <b>Informazione generiche</b>   | <b>23</b>         |

## Safety precautions

### Operator safety

- Read this manual carefully and make sure you understand all controls and their function.
- Keep in mind that the operator or user is responsible for accidents or hazards occurring to other people or their property.
- Always wear heavy, long pants, boots and do not wear short pants, sandals or go barefoot.
- Make sure that the working area is clear of pebbles, sticks or other debris. These objects could be thrown out from the machine and cause an injury or equipment damage. Avoid driving across gravelled paths, etc.
- Never start or run the engine inside a closed room or building. Breathing exhaust fumes can kill.
- Do not allow children or people unfamiliar with these instructions to use the mower.
- Do not mow while people, especially children, or pets are in the mowing area.

### Tool safety

- Inspect the entire tool before each use. Replace damaged parts. Check for fuel leaks and make sure all fasteners are in place and securely fastened.
- Replace faulty silencer.
- Before using, always visually inspect to see that the blades, blade bolts and cutter assembly are not worn or damaged. Replace worn or damaged blades and bolts in sets to preserve balance.

### Fuel safety

- Warning – Petrol is highly flammable.
- Pour fuel outdoors and where there are no sparks or flames.
- Use a container approved for fuel.
- Do not smoke or allow smoking near fuel or the tool or while using the tool.
- Wipe up all fuel spills before starting engine.
- Move at least 3 meters away from fueling site before starting engine.
- Stop engine before removing fuel cap.
- Do not fill petrol when engine is warm.

### Cutting safety

- Mowing on slopes can be dangerous. Do not mow on very steep slopes. Mow across the face of slopes, never up and down.
- The mower should not be used on ground that slopes more than 30°. This could cause engine lubrication problems.

- Never transport the mower with the engine running. If transport requires the mower to be lifted, the operator must first make sure that the cutting blade has stopped.
- Never operate the mower with defective guards or shields, or without safety devices, for example deflectors and/or grass catchers, in place.
- Start the engine or switch of the motor carefully according to instructions and with feet well away from the blade(s).
- Do not tilt the mower when starting the engine or switching on the motor, except if the mower has to be tilted for starting. In this case, do not tilt it more than absolutely necessary and lift only the part which is away from the operator.
- Do not start the engine when standing in front of the discharge chute.
- Keeps hands and feet well away from rotating blade. On models with open chute, never stick hand into chute.
- Never pick up or carry a mower while the engine is running.
- Stop the engine and disconnect the spark plug wire: before clearing blockages or unclogging chute; before checking, clearing or working on the mower. After striking a foreign object, inspect the mower for damage and make repairs before restarting and operating the mower. If mower starts to vibrate abnormally (check immediately). Stop the engine before you leave the mower: before refuelling.

### Maintenance - and storage safety

- Regularly check that all bolts, screws and nuts are tightened. Replace any damaged parts immediately. Only use original spare parts.
- Store tool and fuel in an area where fuel vapors cannot reach sparks or open flames from water heaters, electric motors or switches, furnaces, etc.
- Allow the engine to cool before storing in any enclosure.
- To reduce the fire hazard, keep the engine, silencer, battery compartment and petrol storage area free of grass, leaves, or excessive grease.
- Check the grass catcher frequently for wear or deterioration.

### Transport safety

- Remove the spark plug lead. Loosen the wire/cable from the handle before carefully folding the handle. Avoid damaging the wire/cable. Empty the petrol tank. Before public transporting engine oil and petrol must be removed.

## Advertencias e instrucciones para la seguridad

### Seguridad del operador

- Lea este manual cuidadosamente y familiarícese con los controles y sus funciones.
- Téngase presente que el operador o usuario es responsable de cualquier accidente o daño sufrido por terceros y su propiedad.
- Vístase siempre con pantalones largos gruesos, zapatos sólidos, no utilice pantalón corto, sandalias y no ande descalzo.
- Asegúrese de que la superficie de trabajo no tenga piedras, ramas u otros objetos pues podrían ser lanzados por la máquina y causar daños. Evite cruzar senderos con gravilla, etc.
- No ponga nunca en marcha o haga funcionar la máquina dentro de un recinto cerrado. La respiración de los gases de escape puede ser mortal.
- Debe impedirse la utilización de la máquina por niños o personas no familiarizadas con estas instrucciones.
- No corte el césped si hay personas (especialmente niños) o animales en la zona de trabajo.

### Seguridad con la máquina

- Inspeccione la máquina completa cada vez que se vaya a utilizar. Reemplace las piezas dañadas. Verifique que no hayan fugas de combustible y asegurarse que todos los elementos de sujeción estén en su sitio y bien afirmados.
- Reemplace silenciadores defectuosos.
- Antes de usar el cortacésped, haga siempre una inspección visual para asegurarse de que las cuchillas, los pernos de las cuchillas y el conjunto cortador no estén gastados o dañados. Reemplace los juegos completos de cuchillas y pernos gastados o dañados para mantener el equilibrio del aparato.

### Seguridad con el combustible

- ¡Advertencia! La gasolina es muy inflamable.
- Mezcle y vierta el combustible al aire libre, en un lugar donde no hayan chispas ni llamas.
- Utilice un recipiente aprobado para el combustible.
- No fume ni deje que otras personas fumen cerca del combustible o de la herramienta o mientras se utilice la herramienta.
- Limpie todos los residuos de combustible antes que ponga en marcha el motor.
- Apartase como mínimo de 3 metros del lugar de carga de combustible antes de poner en marcha el motor.
- Pare el motor antes de sacar el tapón del depósito de combustible.

### Seguridad de corte

- Puede ser peligroso el desplazarse sobre superficies inclinadas. No use la máquina en lugares muy inclinados. Corte siempre a lo largo de la pendiente, nunca de arriba a abajo.
- Para evitar problemas de engrase se recomienda no usar el cortacésped en terrenos de inclinaciones mayores de 30 grados. Esto puede causar problemas de lubricación del motor.

- Nunca transporte el cortacésped con el motor encendido. Si se necesita levantar el cortacésped para transportarlo, asegúrese de que la cuchilla esté parada.
- Nunca opere el cortacésped con las protecciones contra la desgarga defectuosas, o sin protecciones de seguridad, por ejemplo desviadores y/o sin el recogedor del césped en su sitio.
- Ponga en marcha o encienda el motor, observando estrictamente las instrucciones, y con los pies bien apartados de la(s) cuchilla(s).
- No incline el cortacésped al poner en marcha el motor, salvo cuando es necesario inclinarlo para conseguir ponerlo en marcha. En este caso, no lo incline más de lo necesario, y levante sólo la parte alejada del operador.
- No ponga en marcha o encienda el motor cuando se encuentre frente a la abertura de la descarga.
- Nunca levante o lleve un cortacésped con el motor encendido.
- Pare el motor y desconecte el cable de bujía antes de abrir bloqueos o desobstruir el conducto, antes de inspeccionar el aparato, y antes de limpiar o repararlo. Después de dar con un objeto extraño: Inspeccione los posibles daños en el cortacésped y haga las reparaciones antes de volver a poner en marcha y operar el aparato. Si el cortacésped empieza a vibrar de forma anormal, inspecciónelo inmediatamente. Pare siempre el motor al abandonar el cortacésped y antes de rellenado de combustible.

### Seguridad con el mantenimiento y almacenamiento

- Controle a intervalos regulares que estén bien apretados todos los pernos, tornillos y tuercas. Sustituya inmediatamente cualquier pieza dañada. Use únicamente piezas originales.
- Almacene la herramienta y el combustible en una zona en donde los vapores del combustible no puedan llegar a chispas o llamas abiertas de calentadores de agua, motores eléctricos, interruptores, hornos, etc.
- Deje que el motor se enfríe antes de almacenar en cualquier recinto cerrado.
- Para reducir el riesgo de incendio, mantenga el motor, silenciador, compartimiento de batería y área de almacenaje de gasolina limpios de hierba, hojas o lubricante excesivo.
- Inspeccione frecuentemente el depósito de hierba para ver si está gastado o deteriorado.

### Seguridad con el transporte

- Desconecte el cable de bujía: Aflojense los conjuntos cable/camisa ante de doblar cuidadosamente el manillar. Evite daños en ellos. Vacíe el depósito de gasolina y, si se trata de transporte público, también el de aceite.

# D

## Sicherheitsvorschriften

### Bedienungssicherheit

- Der Benutzer sollte das Handbuch durchlesen und sich mit den Bedienungselementen und ihren Funktionen vertraut machen.
- Achten Sie, daß Sie als Benutzer für Unfälle oder Schäden, die andere Personen oder deren Eigentum betreffen, haftbar sein können.
- Tragen Sie stets schwere lange Hosen, Stiefel und Handschuhe. Das Gerät darf nicht in lockerer Kleidung, mit Schmuß, in kurzen Hosen, Sandalen oder barfuß bedient werden.
- Vor dem Mähen sind Steine, Äste und andere Gegenstände aus dem Arbeitsbereich zu entfernen. Diese Gegenstände könnten aus der Maschine herausgeschleudert werden und Personenschäden oder Schäden an der Ausrüstung verursachen. Es ist zu vermeiden, auf Schotterwegen zu fahren.
- Der Motor darf nie innerhalb geschlossener Räume oder Gebäude angelassen bzw. betrieben werden. Die Abgase können zum Tod führen.
- Lassen Sie keine Kinder oder Personen, die diese Anweisungen nicht kennen, den Rasenmäher benutzen.
- Mähen Sie nicht, während sich Personen, insbesondere Kinder, oder Tiere im Mähbereich befinden.

### Gerätesicherheit

- Vor jedem Einsatz ist zu prüfen, ob das Arbeitswerkzeug fest sitzt, ob der Gashebel beim Loslassen selbsttätig in die Nullstellung zurückgeht und ob das Arbeitswerkzeug im Leerlauf stillsteht.
- Bei Beschädigungen des Schalldämpfers ist dieser auszutauschen.
- Kontrollieren Sie vor Benutzung des Gerätes stets, daß das Messer, die Messerschraube und die sonstigen Teile des Untergestells nicht abgenutzt oder beschädigt sind. Wechseln Sie Messer, Messerschraube und alle sonstigen Schrauben gleichzeitig, so daß sich die rotierenden Teile im Gleichgewicht befinden.

### Kraftstoffsicherheit

- Warnung! Benzin und Benzindämpfe sind sehr feuergefährlich!
- Kraftstoff im Freien mischen und einfüllen. Funken und Feuer fernhalten.
- Für den Kraftstoff ist ein zugelassener Behälter zu verwenden.
- In der Nähe des Kraftstoffs, des Gerätes sowie beim Arbeiten mit dem Gerät ist das Rauchen zu unterlassen.
- Vor dem Anlassen des Motors muss verschütteter Kraftstoff restlos entfernt werden.
- Vor dem Anlassen des Motors ist das Gerät mindestens 3 Meter von der Kraftstoffzufuhrstelle zu entfernen.
- Vor dem Abnehmen des Tankdeckels muß der Motor ausgeschaltet werden.
- Füllen Sie keinen Kraftstoff ein, wenn der Motor warm ist.

### Arbeitssicherheit

- Das Mähen an Steilhängen ist gefährlich. Vermeiden Sie daher das Mähen an besonders steilen Hängen und mähen Sie immer am Hang entlang.
- Der Rasenmäher sollte nicht in einem Gelände benutzt werden, das eine Neigung von mehr als 30 Grad hat. In solchen Fällen können Schmierungsprobleme im Motor auftreten.
- Transportieren Sie den Mäher niemals mit laufendem Motor. Erfordert der Transport ein Anheben des Mähers, müssen Sie zuerst kontrollieren, daß das Schneidwerkzeug stillsteht.

- Sichern Sie den Mäher nie mit defektem Gehäuse oder defekten Sicherheitsvorrichtungen bzw. fehlenden Sicherheitsvorrichtungen wie Prallblech und/oder Grasfangvorrichtung ein.
- Das Anlassen oder Einschalten des Motors muß vorsichtig gemäß der Gebrauchsanleitung erfolgen. Halten Sie die Füße in sicherem Abstand vom Schneidwerkzeug.
- Beim Anlassen oder Einschalten des Motors darf der Benutzer den Mäher nicht hochkant, sondern, falls erforderlich, nur so schrägstellen, daß das Schneidwerkzeug in die vom Benutzer abgewandte Richtung zeigt.
- Stehen Sie beim Starten des Motors nicht vor der Öffnung des Grasauswurfs.
- Halten Sie Hände und Füße vom rotierenden Messer fern. Stecken Sie nie die Hände in die Öffnung des Grasauswurfs.
- Bei laufendem Motor darf der Mäher niemals hochgehoben oder transportiert werden.
- Schalten Sie stets den Motor ab und ziehen Sie den Zündkerzenstecker heraus, bevor Sie die Auswurföffnung des Mähers oder das Untergestell untersuchen oder reinigen bzw. eine Überprüfung, Reinigung oder Wartung des Mähers vornehmen. Schalten Sie auch den Motor ab und ziehen Sie den Zündkerzenstecker heraus, wenn der Mäher auf einen festen Gegenstand trifft. Untersuchen Sie den Mäher auf Beschädigungen und nehmen Sie ggf. vor der weiteren Benutzung eine Reparatur vor. Dies gilt insbesondere für das Schneidwerkzeug und das Lüfterrad. Überprüfen Sie ebenfalls, daß die Kurbelwelle nicht verbogen ist, da dies zu einer starken Unwucht und kräftigen Vibrationen führt und grobe Gefahr besteht, daß sich das Messer löst. Ein Transport des Mähers oder das Einfüllen von Kraftstoff dürfen nur bei abgeschaltetem Motor und abgezogenem Zündkerzenkabel erfolgen.

### Wartungs- und Lagerungssicherheit

- Regelmäßig kontrollieren, ob sämtliche Bolzen, Schrauben und Muttern festgezogen sind. Beschädigte Teile sofort austauschen. Es dürfen nur Originalersatzteile verwendet werden.
- Gerät und Kraftstoff sind an Stellen zu lagern, wo Kraftstoffdämpfe nicht mit Funken oder offenen Flammen von Wassererhitzern, Elektromotoren oder elektrischen Schaltern, Öfen usw. in Berührung kommen können.
- Lassen Sie den Motor abkühlen, bevor Sie das Gerät in eine Kiste oder einen Karton packen.
- Halten Sie Motor, Schalldämpfer, Batteriekasten und Kraftstofftank frei von Gras, Laub und überschüssigem Fett, so daß das Risiko eines Brandes auf ein Minimum gesenkt wird.
- Überprüfen Sie regelmäßig die Grasfangvorrichtung und tauschen Sie diese bei Abnutzung oder Beschädigung aus.

### Transportsicherheit

- Ziehen Sie das Zündkerzenkabel ab. Entfernen Sie die Kabel von dem Handgriff, bevor dieser vorsichtig zusammengelegt wird. Vermeiden Sie Beschädigungen an den Kabeln. Entleeren Sie den Benzintank. Bei Transport mit öffentlichen Verkehrsmitteln ist der Benzin- und Öltank zu entleeren.



## Règles de sécurité

### Sécurité de l'utilisateur

- Lisez ce manuel avec soin et assurez-vous de bien comprendre l'utilisation des commandes.
- Soyez conscient que l'opérateur ou utilisateur est responsable des accidents ou des dommages produit à une autre personne ou à leur propriété.
- Portez toujours des pantalons long, des chaussures solides et ne portez pas des pantalons court, des sandales et surtout pas les pieds nus.
- Assurez-vous que le champ d'opération est libre de cailloux, branchages ou autres débris. Ceux-ci risquent d'être projetés par la machine et de causer des blessures ou d'endommager la machine. Évitez de traverser des allées de gravier, etc.
- Ne mettez jamais le moteur en marche dans un endroit clos. Les gaz d'échappement sont dangereux.
- N'autorisez pas que des enfants ou que des personnes pas familières avec les instructions utilisent cette machine.
- N'utilisez pas la machine pendant que des personnes, spécialement des enfants, ou des animaux domestiques soient près de l'aire de tondre.

### Sécurité au niveau de l'outil

- Vérifiez à fond votre outil avant chaque utilisation. Remplacez les pièces endommagées. Vérifiez l'absence de fuites de carburant et assurez-vous que tous les dispositifs de fixation soient en place et ne risquent pas de lâcher.
- Remplacez les amortisseurs de bruit défectueux.
- Avant de l'utilisation, vérifiez toujours que les lames, les boulons de lame et l'ensemble de coupe ne soient pas usés ou endommagés. Remplacez-les de deux en deux pour conserver l'équilibre.

### Sécurité au niveau du carburant

- Attention! L'essence et les vapeurs d'essence sont très inflammables.
- Faites le mélange et le remplissage d'essence à l'air libre, à distance de toute étincelle ou flamme.
- Utilisez un récipient agréé pour l'essence.
- Ne fumez pas et ne laissez personne fumer à proximité du carburant ou de l'outil, ni lorsque vous utilisez l'outil.
- Essuyez soigneusement toutes traces de carburant avant de mettre le moteur en marche.
- Éloignez-vous au moins 3 mètres de l'endroit où vous avez fait le remplissage avant de mettre le moteur en marche.
- Arrêtez le moteur avant de dévisser le bouchon de remplissage.
- Remplissez pas le réservoir d'essence quand le moteur est chaud.

### Sécurité au niveau de l'utilisation

- Il peut être dangereux de tondre sur une pente. Ne tondrez jamais sur une pente très inclinée. Tondez parallèlement à la pente, jamais en montant ou en descendant.
- La tondeuse ne doit pas être utilisée sur un terrain dont la pente dépasse 30°. Il pourrait se produire des problèmes avec le graissage du moteur.

- Ne transportez pas la tondeuse avec le moteur en marche. Si le transport exige l'élévation de la tondeuse, l'opérateur doit être sûr que la lame de coupe est arrêtée.
- N'utilisez jamais la tondeuse avec des protecteurs ou des déflecteurs défectueux, ou sans les déflecteur de la sécurité, par exemple des déflecteur et/ou des ramasse-herbe, en place.
- Démarrez le moteur ou l'interrupteur du moteur après d'avoir pris toutes les précautions et avec vos pieds loin de la(les) lame(s).
- Ne penchez pas la tondeuse lorsque vous démarrer le moteur, sauf quand la tondeuse doit être penché pour la mettre en marche. Dans ce cas, ne la penchez pas plus que ce qui est absolument nécessaire et levez seulement la partie la quelle est la plus éloignée de vous.
- Ne mettez pas le moteur en marche lorsque vous êtes devant l'ouverture de la décharge.
- N'approchez pas les mains ou les pieds de l'ensemble de coupe. Si la tondeuse a une ouverture par laquelle l'herbe est déchargée n'y introduisez pas la main.
- Ne portez et ne soulevez jamais une tondeuse lorsque le moteur est en marche.
- Arrêtez le moteur et débranchez le fil de la bougie d'allumage; avant d'enlever les obstructions ou de déboucher la glissière; avant de vérifier, nettoyer ou d'entretenir la tondeuse. Arrêtez le moteur si la tondeuse entre en contact avec un objet dur, inspectez-la et réparez-la avant de vous en servir à nouveau. Si la tondeuse commence à vibrée anormalement (vérifiez-la immédiatement). Arrêtez le moteur: avant que vous quiter la tondeuse; avant de remplir le réservoir d'essence.

### Sécurité au niveau de l'entretien et de l'entreposage

- Vérifiez régulièrement que les écrous, vis et boulons soient serrés à fond. Remplacez immédiatement les pièces endommagées. Utilisez que des pièces d'origine.
- Rangez l'outil et le carburant dans un endroit où les vapeurs d'essence ne risquent pas d'entrer en contact avec des étincelles ou une flamme en provenance d'un chauffe-eau, d'un moteur électrique, ou d'un commutateur, d'une chaudière, etc.
- Permettez que le moteur se refroidit avant de mettre la machine dans un espace clos.
- Prenez soin d'enlever toute graisse ou huile superflue, feuilles mortes, etc. du moteur, de l'amortisseur de bruit, des piles et du réservoir d'essence pour minimiser les risques d'incendie.
- Vérifiez souvent le sac de décharge pour toute détérioration et usure.

### Sécurité au niveau de transport

- Débranchez la bougie. Dégagez le fil/câble du mancheron avant de plier avec précautions. Évitez d'endommager le fil/câble. Videz le réservoir d'essence. En cas de transport par un service public, videz l'essence et l'huile.



## Avvertenze ed istruzioni di sicurezza

### Sicurezza dell'operatore

- Lea atentamente este manual y asegúrese de que conoce los mandos y su funcionamiento.
- Tenga presente che chi usa l'attrezzo è responsabile di eventuali incidenti o rischi a cui sottopone altra gente o la sua proprietà.
- Indossare sempre pantaloni lunghi e robusti, stivali. Evitare di indossare, pantaloni corti o sandali e non andare a piedi nudi.
- Assicurarci che il prato non presenti pietre o altri oggetti. Il dispositivo di taglio può scagliare eventuali oggetti e causare danni a persone o cose. Evitare di attraversare vialetti con ghiaia.
- Non avviare né far funzionare il motore in edifici o ambienti chiusi. I gas di scarico sono letali se ispirati.
- Non consentire l'uso della macchina ai bambini o a persone che non hanno letto le presenti istruzioni.
- Durante il taglio dell'erba non consentire la presenza di altri, specialmente bambini, o di animali, sull'area da tagliare.

### Sicurezza dell'apparecchio

- Ogni volta che si deve usare l'apparecchio, ispezionarlo interamente prima dell'uso. Sostituire eventuali parti danneggiate. Accertarsi che non vi siano perdite di carburante e che tutti gli attacchi siano in posizione e ben fissati.
- Cambiare i silenziatori difettosi.
- Prima dell'uso, controllare montaggio delle cesoie non siano logorate o danneggiati. Per mantenere l'equilibrio, sostituire le lame ed i bulloni usurati o danneggiati.

### Sicurezza per il carburante

- Attenzione – la benzina è altamente infiammabile.
- Preparare la miscela ed eseguire il rifornimento di carburante all'aperto, accertandosi che non vi siano scintille né fiamme.
- Usare un contenitore approvato per il carburante.

Non fumare né consentire ad altri di fumare in prossimità del carburante o dell'apparecchio, anche durante l'uso.

- Prima di avviare il motore, asciugare bene ogni traccia di carburante.
- Prima di avviare il motore, spostarsi di almeno 3 metri dal punto in cui è stato eseguito il rifornimento.
- Prima di aprire il serbatoio, spegnere il motore.
- Non versare benzina nel serbatoio mentre il motore è caldo.

### Precauzioni durante l'uso

- Il taglio dell'erba sui pendii può essere pericoloso. Evitare pendii troppo ripidi. Procedere trasversalmente al pendio.

- Per evitare problemi di lubrificazione, il tosaerba non deve essere usato su terreno in pendenza di oltre 30°.
- Non trasportare mai il rasaerba a motore in moto. Se per il tras-porto il rasaerba deve essere tenuto inclinato, assicurarsi prima che le lame siano completamente ferme.
- Non usare mai una tosatrice che ha le protezioni difettose o che manca degli accessori di protezione, per esempio deflettori e/o raccogliherba.
- Avviare il motore con cautela, seguendo le istruzioni e tenendo i piedi a distanza di sicurezza dalle lame.
- Avviando il motore non inclinare la tosatrice a meno che l'accensione non lo richieda. In tal caso non inclinarla più dello stretto necessario e sollevare solo il lato più lontano da chi la usa.
- Non stare davanti all'apertura di gettata quando si avvia il motore.
- Non avvicinare le mani o i piedi alla lama rotante. Non infilare mai le mani in eventuali aperture di gettata.
- Non sollevare o trasportare una tosatrice in funzione.
- Prima di rimuovere eventuali ostruzioni e di ripulire la tosatrice, fermare il motore e staccare il cappuccio della candela. Rimosso il corpo estraneo, controllare se ci sono danni ed effettuare le riparazioni eventuali prima di riaccendere il motore. Se la tosatrice comincia a vibrare in modo anormale, controllare immediatamente. Spegnerne il motore di una tosatrice da lasciare incustodita e prima di riempire il serbatoio di carburante.

### Sicurezza nella manutenzione ed immagazzinaggio

- Controllare con regolarità che tutti i dadi, le viti e i bulloni siano ben serrati. Sostituire immediatamente le parti danneggiate. Usare solo ricambi originali.
- Riporre l'apparecchio ed il carburante in un luogo in cui i vapori del carburante non possano raggiungere fiamme di caldaie, motori elettrici o interruttori, forni etc.
- Prima di riporre la tosatrice, lasciarla raffreddare.
- Per ridurre il pericolo di incendio, liberare da erba, foglie e grasso in eccesso il motore, il silenziatore, lo scomparto della batteria e l'area in cui si conserva la benzina.
- Controllare frequentemente che il raccogliore dell'erba non sia usurato o danneggiato.

### Sicurezza nella trasporto

- Staccare il cavo d'accensione dalla candela. Liberare il cavo/condotto dalla manopola prima di arrotolarlo prudentemente. Evitare danni al cavo/condotto. Svuotare il serbatoio della benzina. In caso di trasporto su mezzi pubblici, si deve svuotare sia la benzina che l'olio.



## Waarschuwingen en veiligheidsvoorschriften

### Veiligheid van de bediener

- Lees dit handboek aandachtig door en zorg ervoor dat u alle bedieningsorganen en hun werking begrijpt.
- Bedenk dat de gebruiker van het apparaat verantwoordelijk is voor ongelukken en beschadiging van anderen en andermans eigendommen.
- Draag steeds een uit dik materiaal vervaardigde lange broek, laarzen. Draag nooit shorts, sandalen. Werk nooit blootsvoets.
- Controleer of er geen stenen, takken of andere voorwerpen liggen. Die kunnen immers uit de machine gecatapulteerd worden en iemand verwonden of de machine beschadigen. Steek geen grindpaden over.
- De motor nooit starten of aanzetten binnen een gesloten ruimte of gebouw. Uitlaatgassen kunnen dodelijk zijn.
- Laat de gazonmaaier niet bedienen door kinderen of volwassenen die deze instructies niet gelezen hebben.
- Maai nooit wanneer er mensen, vooral kinderen, of huisdieren in de buurt zijn.

### Veiligheid van het gereedschap

- Inspecteer de volledige eenheid vóór het gebruik. Vervang beschadigde onderdelen. Controleer op brandstoflekken en overtuig u ervan dat alle bevestigingen goed zijn vastgemaakt.
- Vervang defekte geluiddempers.
- Voor gebruik altijd controleren of snijbladen, snijbladschroeven en snijcomponenten niet beschadigd of versleten zijn. Vervang alle versleten of beschadigde bladen en bouten tegelijk. Dit om het evenwicht niet te verstoren.

### Veiligheid van de brandstof

- Waarschuwing – Benzine is licht ontvlambaar.
- De brandstof in de open lucht mengen en bijvullen. Doe dit nooit in de nabijheid van vonken of open vlammen.
- Gebruik een gepaste brandstofcontainer.
- Rook niet, en laat niet toe dat er gerookt wordt nabij de brandstof of het gereedschap, of bij het gebruik van het gereedschap.
- Gemorste brandstof afvegen vóór u de motor start.
- Bewaar vóór u het gereedschap start, minstens drie meter afstand van de plaats waar brandstof werd bijgevuld.
- De motor stilleggen vóór u de brandstofdop verwijderd.
- Geen benzine bijvullen als de motor warm is.

### Veiligheid tijdens het gebruik

- Het maaien op hellingen kan gevaarlijk zijn. Maai niet op steile hellingen. Altijd de helling volgen bij het maaien.
- De grasmaaier niet gebruiken op hellingen of taluds met een hoek groter dan 30°. Anders komen er problemen met de smering van de motor

- De maaimachine nooit met draaiende motor vervoeren. Als de maaier opgetild moet worden in verband met het transport, dient u erop toe te zien dat het snijblad stil staat.
- De maaier nooit gebruiken met defekte beschermkappen en schermen, of zonder dat de beveiligingsvoorzieningen (zoals afbuigers en grasverzamelaar) op hun plaats zitten.
- Start de motor voorzichtig zoals in de gebruiksaanwijzing is aangegeven en houdt uw voeten uit de buurt van de snijbladen.
- Kantel de maaier niet terwijl u de motor start (behalve wanneer dit noodzakelijk is. In dat geval niet verder kantelen dan absoluut noodzakelijk en alleen de zijde die het verst verwijderd is van de gebruiker).
- De motor niet starten terwijl u voor de uitwerpopening staat.
- Houdt handen en voeten uit de buurt van de ronddraaiende bladen. Nooit uw hand in een eventuele uitwerpopening steken.
- Nooit de maaier optillen of wegdragen met draaiende motor.
- Stop de motor en maak de bougiekabel los. Doe dit voordat u verstoppingen weghaalt of de opvangzak verwijdert en tevens als u het apparaat wilt controleren of iets aan de motor wilt repareren. Bij in aanraking komen met een onbekend voorwerp de motor stopzetten en inspecteren. Eventuele beschadigingen herstellen voordat u de machine opnieuw start en gebruikt. Als de maaier abnormaal gaat trillen, dient u de motor stop te zetten en onmiddellijk te controleren. Zet de motor stop als u de machine achterlaat of als u brandstof wilt bijvullen.

### Veiligheid bij het onderhoud en opslag

- Controleer regelmatig of alle bouten, schroeven en moeren goed vastzitten. Beschadigde delen moeten onmiddellijk vervangen worden. Gebruik alleen originele onderdelen.
- Het gereedschap en de brandstof moeten worden opgeslagen in een ruimte waar geen contact mogelijk is met vonken of open vlammen van waterverwarmers, elektrische motors, schakelaars, ovens enz.
- Laat de motor afkoelen voordat u de machine binnen zet.
- Om het gevaar voor brand te beperken dient u de motor, de geluiddemper en de omgeving van de accu en de brandstoftank vrij te houden van gras, bladeren en overbodig vet.
- Controleer regelmatig de grasopvangzak op slijtage en beschadigingen.

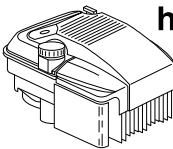

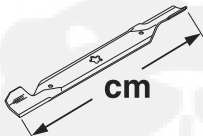
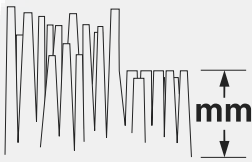

### Veiligheid bij het vervoer

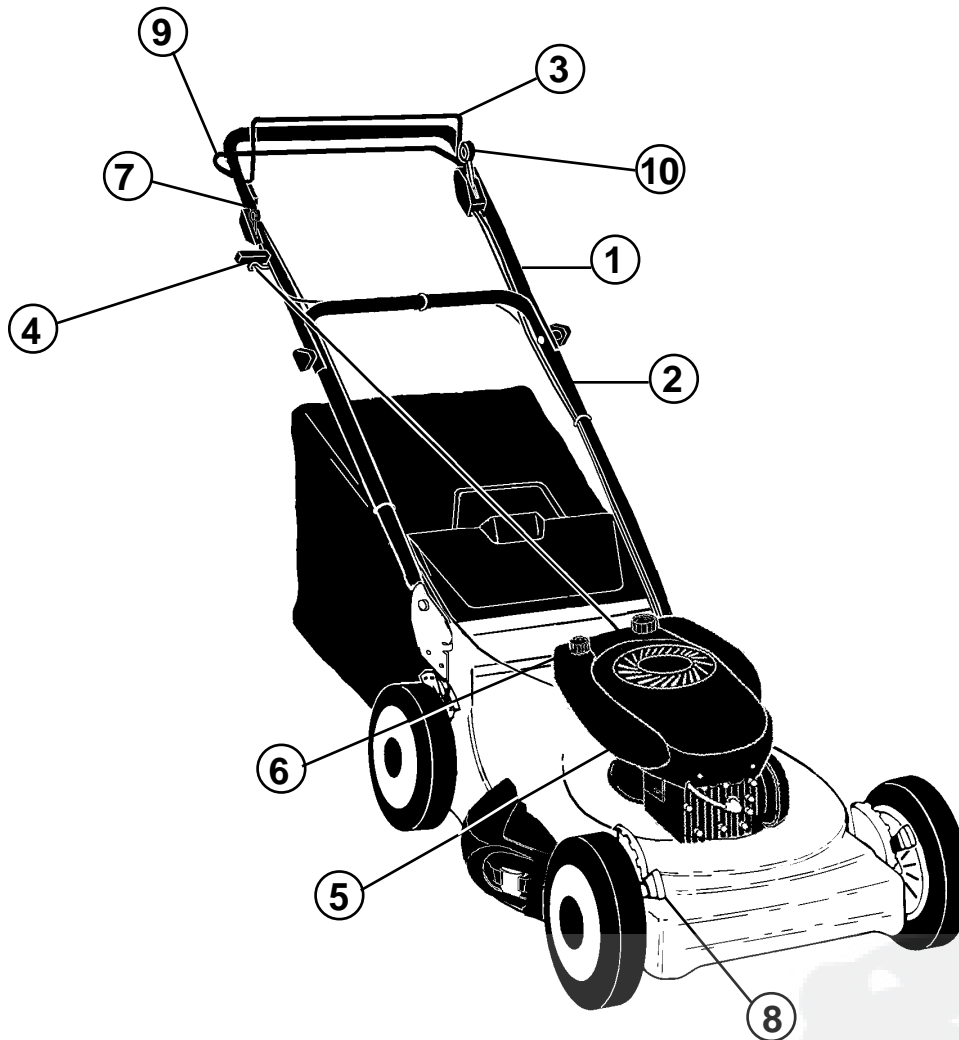
- De bougiekabel losmaken. Maak de kabel los van de handgreep voordat u deze voorzichtig inklapt. Voorkom beschadiging van de kabel. Ledig de benzinetank. Bij openbaar vervoer dienen zowel olie-als benzinetank geleegd te worden.

- (GB)** These symbols may appear on your machine or in the literature supplied with the product. Learn and understand their meaning.
- (D)** Diese Symbole finden Sie auf Ihrer Maschine oder in Unterlagen, die mit dem Produkt ausgehändigt wurden. Bitte machen Sie sich mit deren Bedeutung vertraut.
- (F)** Ces symboles peuvent se montrer sur votre machine ou dans les publications fournies avec le produit. Apprenez et comprenez la signification des symboles.
- (E)** Estos símbolos pueden apareer sobre su unidad o en la literatura proporcionada con el producto. Aprenda y comprenda sus significados.
- (NL)** Deze symbolen kunnen op uw machine of in de bij het produkt geleverde documentatie aanwezig zijn. Leer en begrijp hun betekenis.
- (I)** Simboli utilizzati sull'apparato faciente o nella documentazione fornita con il prodotto. E' importante conoscerne bene il significato.

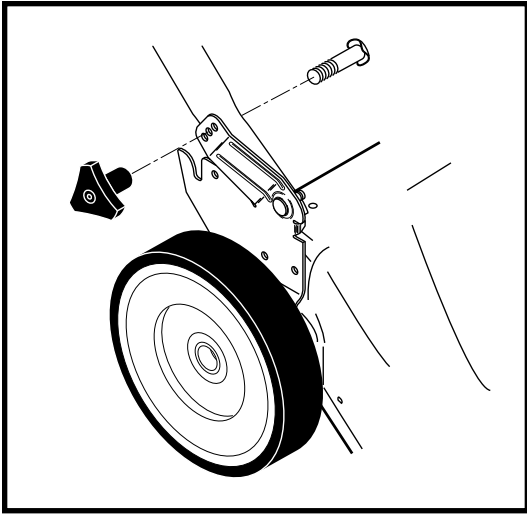
EU4V876

|   |   |   |   |
|---|---|---|---|
|    |    |    |    |
| <b>ENGINE ON</b><br>MOTOR LÄUFT<br>MOTEUR EN MARCHÉ<br>MOTOR ENCENDIDO<br>MOTORE ACCESO<br>MOTOR AAN                              | <b>ENGINE OFF</b><br>MOTOR AUS<br>MOTEUR ARRÊTÉ<br>MOTOR APAGADO<br>MOTORE SPENTO<br>MOTOR UIT  | <b>HIGH</b><br>HOCH<br>HAUT<br>HAUT<br>ALTO<br>AUMENTARE<br>HOOG  | <b>KEEP BYSTANDERS AWAY</b><br>ZUSCHAUER FERNHALTEN<br>GARDEZ LES SPECTATEURS<br>LOIN DE VOUS<br>GUÁRDESE LEJOS DE GENTE<br>TENERE LONTANI I PASSANTI<br>OMSTANDERS UIT DE<br>BUURT HOUDEN  |
|    |    |    |    |
| <b>CHOKE</b><br>STARTKLAPPE<br>STARTER<br>ESTRANGULACIÓN<br>STARTER<br>CHOKE  | <b>BATTERY</b><br>BATTERIE<br>BATTERIE<br>BATERIA<br>BATTERIA<br>ACCU   | <b>OIL PRESSURE</b><br>ÖLDRUCK<br>PRESSION D'HUILE<br>PRESIÓN DEL ACEITE<br>PRESSIONE DELL'OLIO<br>OLIEDRUK   | <b>READ OWNERS MANUAL</b><br>BETRIEBSANLEITUNG LESEN<br>LISEZ LE MANUEL DU<br>PROPRIÉTAIRE<br>LEA EL MANUAL DE DUEÑO<br>LEGGERE IL MANUALE<br>DELL'OPERATORE<br>GEBRUIKERSHANDLEIDING<br>LEZEN  |
|    |    |    |   |
| <b>MOWER HEIGHT</b><br>MÄHWERKHÖHE<br>HAUTEUR DE TONDEUSE<br>ALTURA DE LA SEGADORA<br>ALTEZZA APPARATO<br>FALCIANTE<br>MAAIHOOGTE | <b>BEWARE OF<br/>THROWN OBJECTS</b><br>VORSICHT, HOCHGESCHLEUDERT<br>GEGENSTÄNDE<br>FAITES ATTENTION AUX<br>OBJETS LANCÉS<br>CUIDADO CON<br>OBJETOS LANZADOS<br>ATTENZIONE AGLI OGGETTI<br>SCAGLIATI<br>LET OP WEGGESLINGERDE<br>VOORWERPEN | <b>EUROPEAN MACHINERY<br/>DIRECTIVE FOR SAFETY</b><br>EUROPÄISCHE VERORDNUNG<br>FÜR MASCHINEN-SICHERHEIT<br>DIRECTIVE POUR LA SÉCURITÉ<br>DE MACHINE EUROPEEN<br>DIRECTIVO DE MAQUINARIA<br>EUROPEO PARA LA SEGURIDAD<br>NORMATIVE ANTINFORTUNISTICHE<br>EUROPEE PER MACCHINARI<br>VEILIGHEIDSRICHTLIJN VOOR<br>EUROPESE MACHINES |   |
|    |    |    |    |
| <b>WARNING</b><br>WARNUNG<br>AVERTISSEMENT<br>ATENCIÓN<br>AVVERTENZA<br>WAARSCHUWING  | <b>FUEL</b><br>KRAFTSTOFF<br>ESSENCE<br>COMBUSTIBLE<br>CARBURANTE<br>BRANDSTOF  | <b>CAUTION</b><br>VORSICHT<br>ATTENTION<br>PRECAUCIÓN<br>ATTENZIONE<br>OPGELET  |   |
|    |    |    | <b>DANGER, KEEP HANDS<br/>AND FEET AWAY</b><br>GEFAHR, HÄNDE UND FÜSSE FERNHALTEN<br>DANGER, GARDEZ<br>LES MAINS ET PIEDS LOIN<br>PELIGRO, GUARDE LAS MANOS<br>Y LOS PIES LEJOS<br>PERICOLO. TENERE LONTANI MANI PIEDI<br>GEVAAR, HANDEN EN VOETEN<br>UIT DE BUURT HOUDEN |
| <b>LOW</b><br>NIEDRIG<br>BAS<br>BAJO<br>DIMINUIRE<br>LAAG   | <b>FAST</b><br>SCHNELL<br>RAPIDE<br>RÁPIDO<br>VELOCE<br>SNEL  | <b>SLOW</b><br>LANGSAM<br>LENTE<br>LENTO<br>LENTO<br>LANGZAAM   |   |

|   |   |       |
|---|---|-------|
|    | hp/kw   | 6/4,5 |
|    | km/h  | 0-5,1 |
|  | cm  | 56    |
|  | mm  | 23-74 |
|  | KG  | 45    |
| <b>dB (A)</b>   |   | 100   |
| <b>Vibration</b><br>Vibration<br>Vibración<br>Vibrering<br>Vibrasjon                  | <b>Lärmpegel</b><br>Vibratie<br>Vibrazioni<br>Vibration<br>Tärinä | 3-11  |
|   | <b>m/s<sup>2</sup></b>  |       |



|    | (GB)               | (D)                    | (F)                          | (E)                                 | (NL)              | (I)                      |
|----|--------------------|------------------------|------------------------------|-------------------------------------|-------------------|--------------------------|
| 1  | Upper handle       | Handgriff, oberer      | Mancheron partie sup rieure  | Asa superior                        | Duwboom, boven    | Impugnatura superiore    |
| 2  | Lower handle       | Hangriff, unterer      | Mancheron partie inf rieure  | Asa inferior                        | Duwboom, beneden  | Impugnatura inferiore    |
| 3  | Engine brake yoke  | Motorbremsb gel        | Etrier du frein-moteur       | Mando freno motor                   | Motorrembeugel    | Comando del freno motore |
| 4  | Start handle       | Anlassergriff          | Demarreur                    | Asa arranque                        | Startgreep        | Maniglia de avviamento   |
| 5  | Air filter         | Luftfilter             | Filtre d' air                | Filtro de aire                      | Luchtfilter       | Filtro aria              |
| 6  | Petrol intake      | Benzineinf llung       | Rervoir essence              | Resrva de gasolina                  | Benine bijvullen  | Rifornimento benzina     |
| 7  | Throttle control   | Gasregler              | R gulateur des gaz           | Mando gas                           | Gastoevoer        | Regolazione del gas      |
| 8  | Height adjust grip | Heheneinstel-lunggriff | Poigne de r glage de hauteur | Pu o de la regula ci n de la altura | Hoogtereg. greep  | Regolatore dell'altezza  |
| 9  | Clutch bar         | Kupplungsbügel,        | Guidon demrayage             | Abrazadera de embraque              | Koppelings-beugel | Leva della frizione      |
| 10 | Gear shift lever   | Schalthebel            | Mancheron partie superieure  | Guia, parte superior                | Boven-duwboom     | Manubrio superiore       |



- Ⓒ • Raise lower handle, install bolts (A) and wing nuts (B) and tighten.

  - Raise upper handle and tighten the wing nuts.
- Ⓓ • Den unteren Handgriff anheben, die Schrauben (A) und die Flügelmuttern (B) einsetzen und festziehen.

  - Den oberen Handgriff anheben und die Flügelmuttern festziehen.
- Ⓕ • Élevez le guidon inférieur, installez les boulons (A) et les écrous à oreilles (B) et serrez-les.

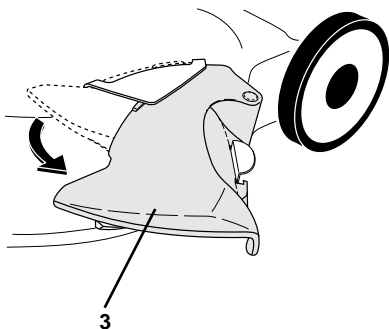
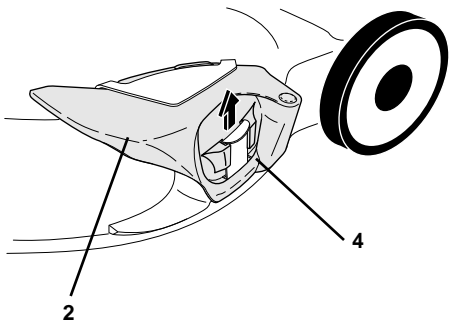
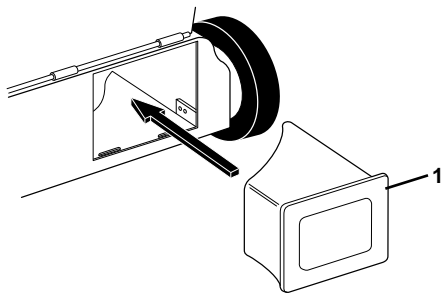
  - Élevez le guidon supérieur et serrez les écrous à oreilles.
- Ⓖ • Remueva el mango inferior, y instale los pernos (A) con las tuercas de mariposa (B) y apriéte los bien.

  - Remueva el mango superior y apriete las tuercas de mariposa.
- Ⓝ • Hef de onderste hendel op, breng bouton (A) en vleugelmoeren (B) aan en draai ze aan.

  - Hef de bovenste hendel op en draai de vleugelmoeren aan.
- Ⓢ • Sollevare il manico inferiore, installare i bulloni (A) e i dadi ad alette (B), stringere.

  - Sollevare il manico superiore e stringere i dadi ad alette.





## GB TO CONVERT MOWER

### FOR REAR BAGGING -

- Rear mulcher plug (1) removed.
- Grass catcher installed.
- Side discharge guard closed and locked (2).

### FOR SIDE DISCHARGING -

- Rear mulcher plug (1) installed.
- Side discharge guard unlocked and in open (3) position.
- Mower is now ready for discharging operation.
- To convert to mulching or bagging operation, discharge guard must be closed and locked securely.

### FOR MULCHING -

- Rear mulcher plug (1) installed.
- Side discharge guard closed and locked (2).

1. MULCHER PLUG
2. DISCHARGE GUARD CLOSED POSITION
3. DISCHARGE GUARD OPEN POSITION
4. LIFT LATCH TO OPEN - PUSH DOWN TO LOCK

## D UMRÜSTEN DES MÄHWEKS

### VERWENDEN DES HECK-GRASFÄNGERS -

- Hinteres Kompostierblech (1) entfernt.
- Grasfänger montiert.
- Seitenauswurfsschutzblech geschlossen und gesichert (2).

### SEITLICHER AUSWURF DES SCHNITTGUTES -

- Hinteres Kompostierblech (1) montiert.
- Seitenauswurfsschutzblech entriegelt und geöffnet (3).

### KOMPOSTIEREN DES SCHNITTGUTES -

- Hinteres Kompostierblech (1) montiert.
- Seitenauswurfsschutzblech geschlossen und gesichert (2).

1. KOMPOSTIERBLECH
2. SEITENAUSWURFSCHUTZBLECH GESCHLOSSEN
3. SEITENAUSWURFSCHUTZBLECH GEÖFFNET
4. RIEGEL ZUM ÖFFNEN ANHEBEN - ZUM SICHERN HERUNTERDRÜCKEN

## F POUR CONVERTIR LA TONDEUSE

### POUR LE RAMASSAGE ARRIÈRE -

- La plaque de broyeuse arrière (1) est enlevée.
- Le ramasse-herbe est installé.
- Le déflecteur de décharge latéral est fermé et enclenché (2).

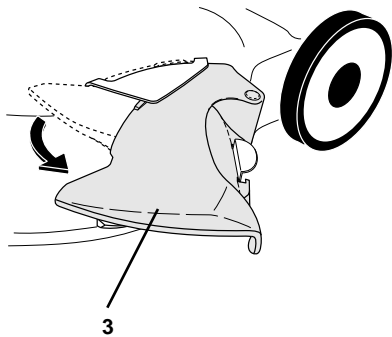
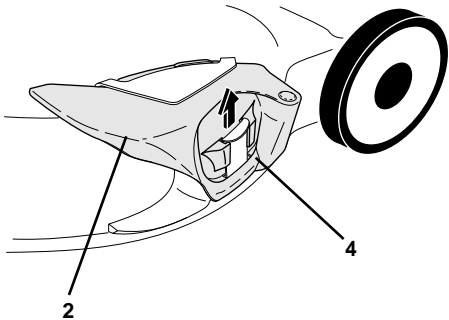
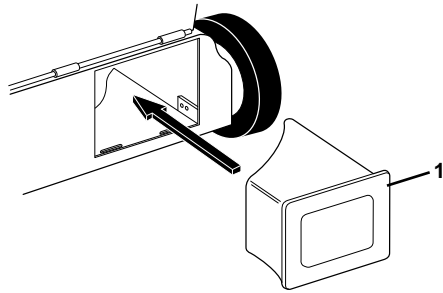
### POUR LE DÉCHARGEMENT LATÉRAL -

- La plaque de broyeuse arrière (1) est enlevée.
- Le déflecteur de décharge latéral est désenclenché et dans une position ouverte (3).

### POUR LE BROYAGE -

- La plaque de broyeuse arrière (1) est enlevée.
- Le déflecteur de décharge latéral est fermé et enclenché (2).

1. LA PLAQUE DE BROYEUSE
2. LE DÉFLECTEUR DE DÉCHARGE EN POSITION FERMÉE
3. LE DÉFLECTEUR DE DÉCHARGE EN POSITION OUVERTE
4. LE LOQUET DE LEVAGE POUR OUVRIR - PUSSEZ VERS LE BAS POUR ENCLENCHER



## (E) PARA CONVERTIR LA SEGADORA

PARA EL ENSACADO TRASERO -

- La placa acolchadora trasera (1) removida.
- El recogedor del césped instalado.
- La protección contra la descarga lateral cerrada y bloqueada (2).

PARA DESCARGA LATERAL -

- La placa acolchadora trasera (1) instalada.
- La protección contra la descarga lateral abierta y en la posición de abierto (3).

PARA EL ACOLCHAMIENTO

- La palca de la acolchadora trasera (1) instalada.
- La protección contra la descarga lateral cerrada y bloqueada (2).

1. PLACA DE LA ACOLCHADORA

2. PROTECCIÓN CONTRA LA DESCARGA EN LA POSICIÓN CERRADA

3. PROTECCIÓN CONTRA LA DESCARGA EN LA POSICIÓN ABIERTA

4. LEVANTE EL PESTILLO PARA ABRIR - EMPUJE HACIA ABAJO PARA CERRAR

## (NL) DE MAAIER VERANDEREN

VOOR GRASOPVANG ACHTER DE MAAIMACHINE -

- De mulchplaat (1) aan de achterkant moet verwijderd zijn.
- De grasopvangbak moet geïnstalleerd zijn.
- Het zijafvoerscherm moet gesloten en vergrendeld zijn (2).

VOOR GRASAFVOER OPZIJ -

- De mulchplaat (1) aan de achterkant moet geïnstalleerd zijn.
- Het zijafvoerscherm mag niet vergrendeld zijn en moet open staan (3).

VOOR VERSPREIDEN VAN MULCH -

- De mulchplaat (1) aan de achterkant moet geïnstalleerd zijn.
- Het zijafvoerscherm moet gesloten en vergrendeld zijn (2).

1. MULCHPLAAT

2. AFVOERSCHERM IN GESLOTEN STAND

3. AFVOERSCHERM IN OPEN STAND

4. GRENDEL OMHOOG BRENGEN OM TE OPENEN - NAAR BENEDEN DRUKKEN OM TE VERGRENDELEN

## (I) PER CONVERTIRE IL TOSAERBA

PER L' INSACCAMENTO POSTERIORE -

- La piastra posteriore per la pacciamatura (1) va rimossa.
- Il raccogliërba va installato.

- La protezione dello scarico laterale va chiusa e bloccata (2).

PER LO SCARICAMENTO LATERALE -

- La piastra posteriore per la pacciamatura (1) va installata.
- La protezione dello scarico laterale va sbloccata e tenuta aperta (3).

PER LA PACCIAMATURA -

- La piastra posteriore (1) per la pacciamatura va installata.
- La protezione dello scarico laterale va chiusa e bloccata (2).

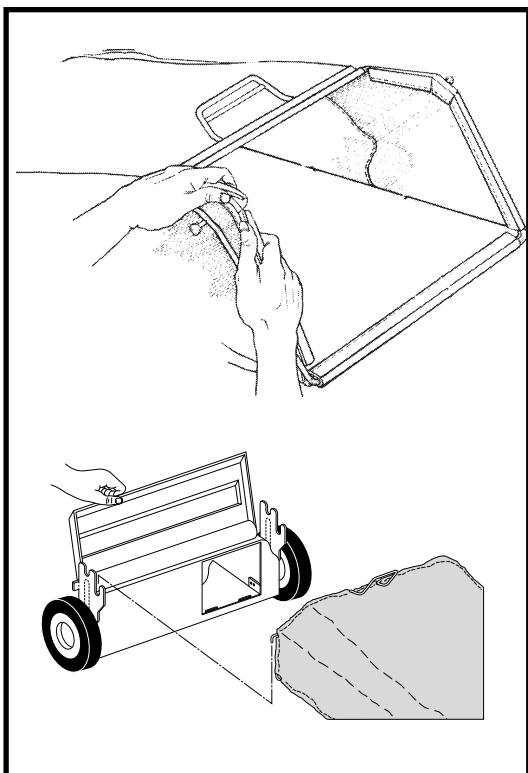
1. PIASTRA PER LA PACCIAMATURA

2. PROTEZIONE DELLO SCARICO IN POSIZIONE CHIUSA

3. PROTEZIONE DELLO SCARICO IN POSIZIONE APERTA

4. ALZARE IL CHIAVISTELLO PER APRIRE - SPINGERE IN GIU' PER BLOCCARE





### ⓐ TO ASSEMBLE & ATTACH GRASS CATCHER

- Put grass catcher frame into grass bag with stiff part of bag on the bottom.
- Slip vinyl bindings over frame.

The grass collector is fitted onto the mower as shown.

- The grass catcher is secured to the lawn mower housing when the rear door is lowered onto the grass catcher frame.

### ⓓ Zusammensetzung und Montage des Grasfangbeutels

- Den Rahmen in den Grasfangbeutel einsetzen; der steife Teil des Beutels nach unten.
- Die Kunststoffkappen auf den Rahmen aufsetzen.

Der Grasfänger wird der Abbildung entsprechend am Mähwerk angebracht.

- Der Grasfangbeutel wird durch den Druck der Klappe gegen den Rahmen in der korrekten Stellung festgehalten.

### ⓕ Assemblage et montage du collecteur d'herbe

- Mettre en place le collecteur d'herbe avec sa partie dure vers le bas.
- Passer les fixations plastique par dessus le cadre.

Le ramasse-herbe est installé sur la tondeuse comme montré.

- Le collecteur se fixe en place en appuyant le volet au cadre.

### ⓔ ARMADO Y MONTAJE DEL COLECTOR DE HIERBA

- Montar el marco en el colector de hierba con la parte dura de éste hacia abajo.
- Poner los ganchos de plástico alrededor del marco.

El recogedor de césped esta ajustado sobre la segadora como mostrado

- El colector de hierba se mantiene en su sitio por la presión de la tapa sobre el marco del colector.

### ⓃL ASSEMBLEREN EN MONTEREN VAN DE GRASVERGAARBAK

- Zet het frame in de grasvergaarbak met het harde gedeelte van de grasvergaarbak naar onderen.
- Trek de plastic haken over het frame.

De grasopvangbak wordt zoals op de tekening te zien is aan de maaier bevestigd.

- De grasvergaarbak wordt op zijn plaats gehouden door de druk die het luik uitoefent op het frame van de grasvergaarbak.

### ⓑ ASSEMBLAGGIO E MONTAGGIO DEL CESTELLO DI RACCOLTA

- Porre il telaio nel cestello, con il lato rigido del cestello verso il basso.
- Serrare gli agganci di plastica intorno al telaio.

Il raccogliherba viene alloggiato sul tosaerba come illustrato.

- Il cestello di raccolta viene tenuto a posto dal portello.

### **ⓐ TO EMPTY GRASS CATCHER**

- To remove grass catcher, release engine brake yoke to stop engine.
- Lift up rear door and remove the grass catcher by the handle.
- Do not drag the bag when emptying, it will cause unnecessary wear.

### **ⓓ Leeren des Grasfangbeutel**

- Durch Loslassen des Bedienungshebels den Motor abstellen.
- Die Klappe anheben und den Grasfangbeutel mit Hilfe des Handgriffs entfernen.
- Den Beutel beim Leeren nicht über den Boden schleifen; dadurch entsteht unnötiger Verschleiß.

### **ⓕ Vidage du collecteur d'herbe**

- Couper le moteur en lâchant la commande.
- Lever le volet arrière et enlever le collecteur au moyen de sa poignée.
- Ne pas le traîner au sol, ce qui risque d'user inutilement le tissu du sac collecteur.

### **ⓔ VACIADO DEL COLECTOR DE HIERBA**

- Levantar la tapa posterior y quitar el colector utilizando el mango.
- No dejar caer el colector al suelo al vaciarlo, pues podría desgastarse la tela de la bolsa.

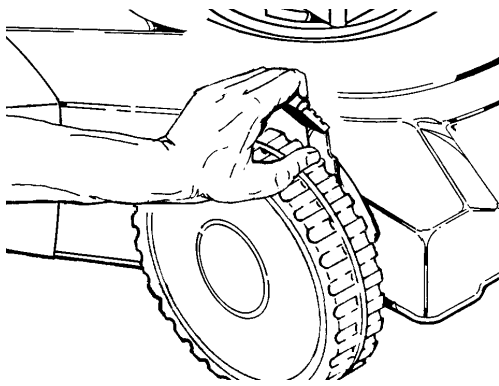
### **Ⓝ LEGEN VAN DE GRASVERGAARBAK**

- Schakel de motor uit door de bedieningshendel los te laten.
- Til het achterluik op en verwijder met behulp van het handvat de grasvergaarbak.
- Laat de grasvergaarbak niet over het gras slepen wanneer u hem leegt. Dit kan onnodige slijtage van het weefsel van de verzamelzak veroorzaken .

### **ⓖ VUOTATURA DEL CESTELLO DI RACCOLTA**

- Spengere il motore rilasciando il comando .
- Sollevare il portello ed estrarre il cestello con l'aiuto della maniglia.
- Non trascinare il cestello sul terreno, onde evitare l'inutile usura del tessuto.





**GB ADJUSTMENT**

The mower can be set to different cutting levels. Adjust to desired cutting level by means of the lever at either wheel. Move the lever towards the wheel and set the cutting level.

**D EINSTELLUNG**

Der Mäher ist in verschiedenen Schneidhöhen einstellbar. Erwünschte Schneidhöhe mit dem Hebel am jeweiligen Rad einstellen. Hebel gegen das Rad drücken und Schneidhöhe regeln.

**F REGLAGE**

La tondeuse peut être réglée pour hauteurs de coupe différentes. Choisissez la hauteur de coupe désirée au moyen du levier de chaque roue. Appuyez le levier contre la roue et réglez la hauteur de coupe.

**E AJUSTE**

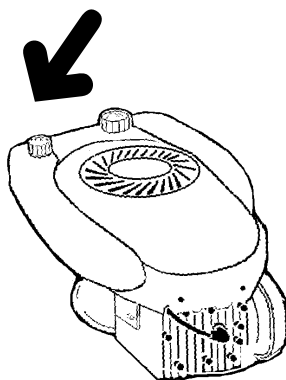
El cortacésped puede ser ajustado a cinco alturas de corte distintas. Ajustese a la altura de corte que se desea con la palanca situada junto a cada rueda. Presiónese la palanca contra la rueda y regúlese la altura de corte.

**NL HET INSTELLEN**

De maaimachine kan op verschillende maaihoogtes worden ingesteld. Stel de gewenste maaihoogte in d.m.v. de hendel bij het respectievelijke wiel. Druk de hendel tegen het wiel en regel de maaihoogte.

**I REGOLAZIONE**

Il tosaerba può essere regolato su diverse altezze di taglio. Scegliere l'altezza di taglio voluta agendo sulla leva in prossimità della ruota. Premere la leva verso la ruota e selezionare l'altezza voluta.



**GB FILLING WITH OIL**

Fill the engine with engine oil, SAE30. (Read the enclosed motor operating instructions as well.)

**D ÖLAFFÜLLUNG**

Füllen Sie Öl in den Motor, SAE30. (Lesen Sie auch die beiliegende Gebrauchsanweisung für den Motor.)

**F REEMPLISSAGE D'HUILE**

Verser l'huile dans le moteur, SAE30. (Lisez aussi les instructions ci-jointes concernant le moteur.)

**E RELLENO DE ACEITE**

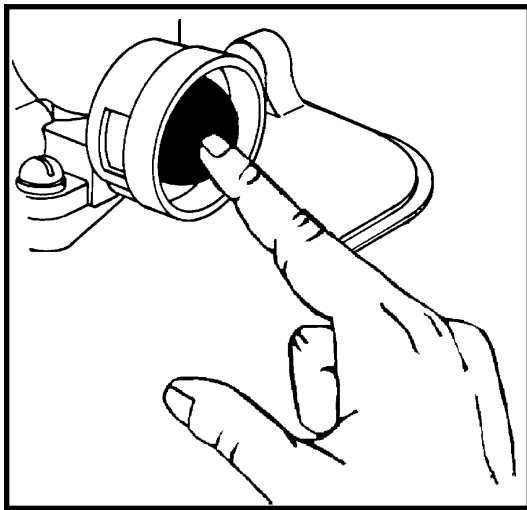
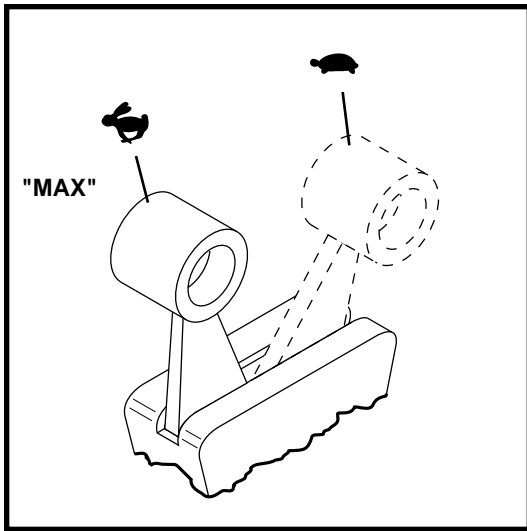
Rellenar el motor de aceite, SAE30. (Léase también las instrucciones anexas para el uso del motor.)

**NL BIJVULLEN VAN OLIE**

Vul het carter met de bijgeleverde motorolie, SAE30. (Lees tevens de bijgevoegde instructie voor de motor.)

**I RIEMPIMENTO DELL'OLIO\***

Versare l'olio nel motore, SAE30. (Leggere anche le unstruzioni per il motore allegate.)



## GB STARTING AND STOPPING

Place the mower on a flat surface. Note: not on gravel or similar. Fill the tank with petrol, **not oil-blended**. Both lead-free and lead-containing petrol may be used. **Do not fill with petrol while the engine is running.**

- Set the throttle to the "MAX" position.
- To start a cold engine, push primer (5) times before trying to start. Use a firm push. This step is not usually necessary when starting an engine which has already run for a few minutes.
- Hold engine brake yoke to the handle and pull on starter handle quickly. Do not allow starter rope to snap back.
- To "STOP" engine, release engine brake yoke.

**NOTE:** In cooler weather it may be necessary to repeat priming steps. In warmer weather over priming may cause flooding and engine will not start. If you do flood the engine wait a few minutes before attempting to start and **DO NOT** repeat priming steps.

## D Start und Stopp

Stellen Sie den Rasenmäher auf ebenen Untergrund, Füllen Sie den Kraftstofftank mit reinem Benzin, **(keine Benzin-Ölgemisch verwenden)**. Sowohl bleifreies als auch verbleites Benzin kann verwendet werden. Nie bei laufendem Motor Benzin nachfüllen.

- Bringen Sie den Gashebel in die Position "MAX".
- Um einen kalten Motor anzulassen, die Vorpumpe (5) Mal vor Anlassen drücken; mit festem Griff drücken. Dieser Schritt ist im allgemeinen nicht erforderlich, wenn ein Motor angelassen wird, der vorher schon einige Minuten gelaufen hat.
- Den Bedienungshebel gegen den Holm drücken und kräftig am Starthandgriff ziehen. Das Startseil nicht einfach loslassen, sondern sich langsam wieder aufrollen lassen.
- Der Motor wird durch Loslassen des Bedienungshebels abgestellt.

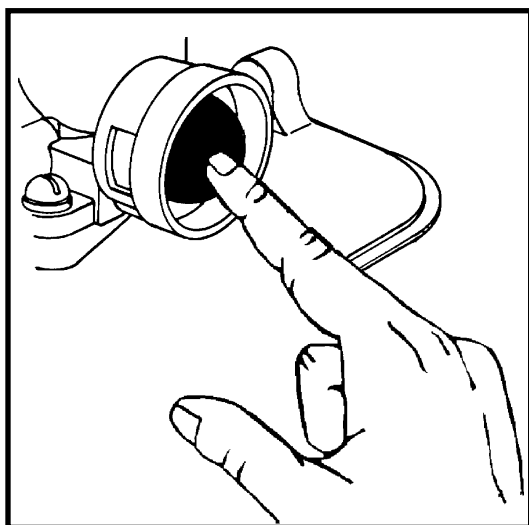
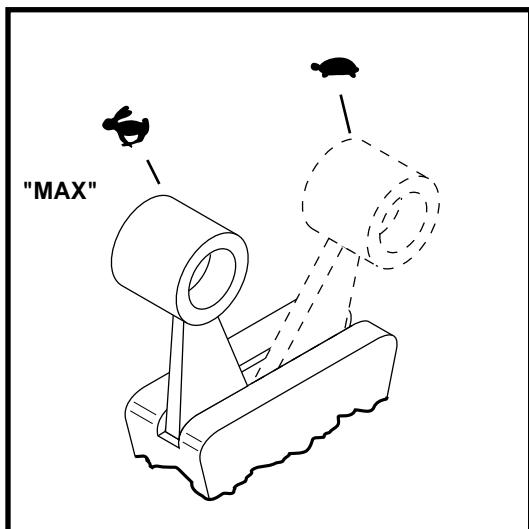
**HINWEIS:** Bei kaltem Wetter müssen die Bedienungsschritte für die Vorpumpe möglicherweise wiederholt werden. Bei warmem Wetter kann durch zu starke Betätigung der Vorpumpe der Motor überflutet werden, so daß der Motor infolgedessen nicht anspringt. Sollte der Motor überflutet sein, einige Minuten warten, bevor Anlassen des Motors erneut versucht wird, und die Bedienungsschritte für die Vorpumpe **NICHT** wiederholen.

## F Marche et arrêt

Placer la tondeuse sur une surface bien plane. Attention, ni gravier ni gravillons. Remplir le réservoir d'essence pure **pas de mélange 2 temps**. On peut utiliser de l'essence avec ou sans plomb. **Ne pas faire le plein quand le moteur est en marche.**

- Placer la manette des gaz sur la position "MAX".
- Pour mettre un moteur froid en marche, poussez le disp. d'amorçage (5) fois avant d'essayer de le faire démarrer. Poussez fermement. Cette étape n'est pas habituellement nécessaire pour faire démarrer un moteur qui a déjà fonctionné pendant quelques minutes.
- Maintenir la commande contre le guidon et tirer vivement sur le starter. Puis lâcher doucement la ficelle.
- Couper le moteur en lâchant la commande.

**REMARQUE:** Sous des températures plus froides il peut être nécessaire de répéter les étapes d'amorçage. Sous des températures plus chaudes trop amorcer peut étouffer le moteur et il refusera de démarrer. Si vous étouffez le moteur, attendez quelques minutes avant d'essayer de le remettre en marche et **NE** répétez **PAS** les étapes d'amorçage.



## E ARRANQUE Y PARADA

Colocar el cortacésped en una superficie llana (sin gravilla, guijarros, etc.). Rellenar el tanque de gasolina pura, **sin aceite**. Se puede usar gasolina sin plomo o con plomo. **No rellenar el tanque mientras está funcionando el motor.**

- Colocar el regulador de velocidad en "MAX".
- Para arrancar un motor frío, empuje el cebador (5) veces antes de tratar de arrancar. Empujar firmemente. Esto normalmente no es necesario cuando se arranca un motor que ya ha estado funcionando por algunos minutos.
- Presionar el mando contra el manillar y tirar rápidamente del mango de arranque. Soltar lentamente el cordón de arranque.
- Poner en marcha el motor soltando el mando.

**NOTA:** En tiempo más frío puede ser necesario repetir los pasos del cebado. En tiempo más caluroso el cebado demasiado puede hacer que se ahogue el motor y no va a arrancar. Si se ahoga el motor espere unos pocos minutos antes de tratar de arrancar. **NO REPITA** los pasos del cebado.

## NL STARTEN EN STOPPEN

Zet de maaier op een vlakke ondergrond. Niet op een grindpad of iets dergelijks. Vul de benzinetank met benzine, geen oliemengsel. U kunt zowel loodvrije als loodhoudende benzine gebruiken. **Nooit benzinetank vullen terwijl de motor draait.**

- De gashendel op "MAX" zetten.
- Om een koude motor te starten duwt u (5) keer op het voorinspuitpompje, voordat u gaat starten. Druk stevig. Deze stap is gewoonlijk niet nodig wanneer u een motor start die reeds enkele minuten gelopen heeft.
- Houd de bedieningshendel tegen het stuur en trek kort en krachtig aan de starthendel. Laat het startsnoer langzaam vieren.
- Schakel de motor uit door de bedieningshendel los te laten.

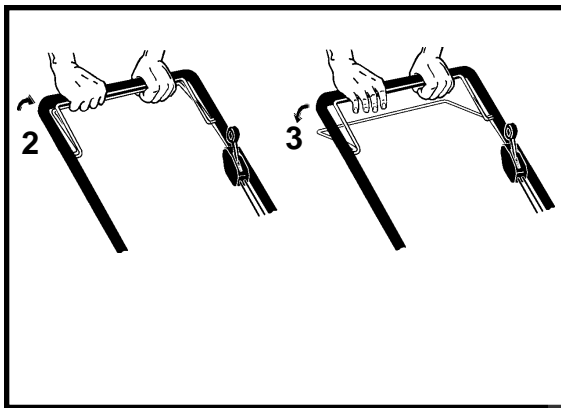
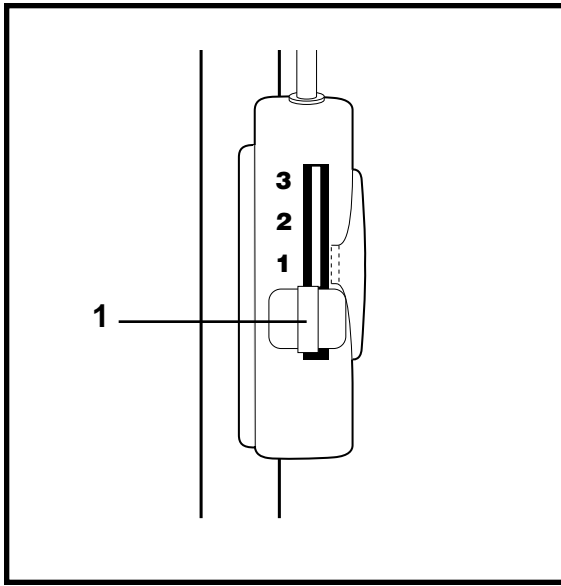
**N.B.:** Bij koeler weer kan het nodig zijn om de voorinspuitstappen te herhalen. Bij warmer weer kan te veel voorinspuiten ertoe leiden dat de motor verzuipt en niet start. Als u de motor verzuipt, moet u enkele minuten wachten alvorens hem te starten en de voorinspuitstappen NIET herhalen.

## I AVVIAMENTO E ARRESTO

Portare il tosaerba su fondo piano (non su ghiaia, sassi o simili). Riempire il serbatoio con benzina pura. Si può usare sia benzina senza piombo che benzina contenente piombo. **Non versare benzina nel serbatoio mentre il motore è in marcia.**

- Mettere il regolatore del gas in posizione "MAX".
- In caso di motore freddo, premere (5) volte il cicchetto prima dell'avviamento. Premere con decisione. Quest'operazione non è generalmente necessaria nel caso di un motore che abbia già funzionato per qualche minuto.
- Tenere il comando contro il manubrio e tirare velocemente la maniglia di avviamento. Rilasciare la cordicella lentamente.
- Fermare il motore rilasciando il comando.

**N.B.:** Nei climi freddi può rendersi necessario ripetere le fasi di iniezione del carburante col cicchetto. Nei climi più caldi l'uso eccessivo del cicchetto può causare l'ingolfamento del motore. In caso di ingolfamento, attendere qualche minuto prima di tentare di avviare nuovamente il motore. **NON** ripetere le fasi di iniezione col cicchetto.



ⓐ **DRIVE**

- Select ground speed with gear shift lever (1).
- Forward drive is engaged (2) and disengaged (3) with the clutch bar at the top of the handle.

ⓓ **LAUF**

- Mit Hilfe des Schalthebels (1) die Fahrgeschwindigkeit wählen.
- Das Ein- (2) und Asschalten (3) des Antribes geschieht mit Hilfe des Kupplungsbügels zuoberst am Handgriff.

ⓕ **MISE EN SERVICE**

- Sélectionnez la vitesse avec le levier du changement de vitesse (1).
- La mise en fonction (2) et l'arrêt (3) se font grâce au guidon d'embrayage fixé à la partie supérieure du mancheron.

ⓔ **FUNCIONAMIENTO**

- Seleccione la velocidad con la palanca de cambio de la velocidad (1).
- El embrague y (2) el desembrague (3) de la propulsion son manejados con la abrazadera de embrague situada en la parte superior de la guia.

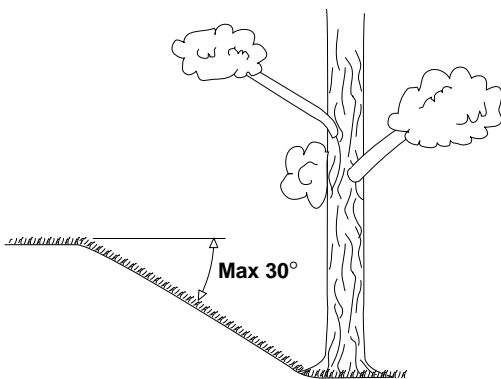
Ⓝ **AANDRIJVING**

- Selecteer de rijsnelheid met de versnellingshendel (1).
- Het aan- (1) en uitschakelen (3) van de aandrijving geschiedt met de koppelingsbeugel bovenop het stuur.

Ⓢ **GUIDA**

- Selezionare la velocità al suolo con la leva del cambio (1).
- L'innesto (2) ed il disinnesto (3) della marcia avviene a mezzo della leva della frizione in alto sul manubrio.





## Ⓒ USE

The mower should not be used on ground that slopes more than 30°. This could cause engine lubrication problems.

## Ⓓ STARTEN EN STOPPEN

Der Rasenmäher sollte nicht in einem Gelände benützt werden, das eine Neigung von mehr als 30 Grad hat. In solchen Fällen können Schmierungsprobleme im Motor auftreten.

## Ⓕ UTILISATION

La tondeuse ne doit pas être utilisée sur un terrain dont la pente dépasse 30°. Il pourrait se produire des problèmes avec le graissage du moteur.

## Ⓖ APLICACION

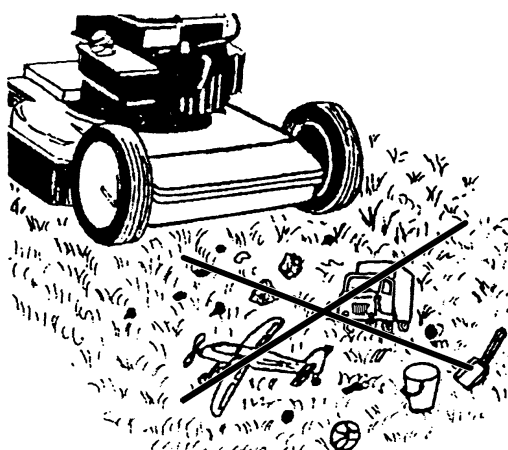
Para evitar problemas de engrase se recomienda no usar el cortacésped en terrenos de inclinaciones mayores de 30 grados.

## Ⓒ GEBRUIK

De grasmaaier niet gebruiken op hellingen of taluds met een hoek groter dan 30°. Anders komen er problemen met de smering van de motor.

## Ⓘ USO

Per evitare problemi di lubrificazione, il tosaerba non deve essere usato su terreno in pendenza di oltre 30°.



Ⓒ Before mowing, objects such as twigs, toys and stones should be removed from the lawn.

Ⓓ Bevor mit dem Mähen begonnen wird, sollten Zweige, Spielzeuge, Steine usw. von der Rasenfläche entfernt werden.

Ⓕ Avant de commencer à tondre, il faut débarrasser la pelouse des branches, des jouets, des pierres etc . . . qui pourraient s'y trouver.

Ⓖ Antes de cortar el césped, recoger ramas, juguetes, piedras, etc.

Ⓒ Voordat u paat maaien, stenen, takken, speelgoed etc. verwijderen van het gazon.

Ⓘ Prima di iniziare la falciatura, si devono allontanare dal prato rami, giocattoli, pietre etc.

Ⓒ Mow the law twice weekly during the most active periods of growth. Never cut more than 1/3 of the length of the grass, especially during dry periods. Mow with a high cutting height setting the first time. Examine the result and lower the mower to the desired setting. Mow slowly or mow the grass twice if it is very long.

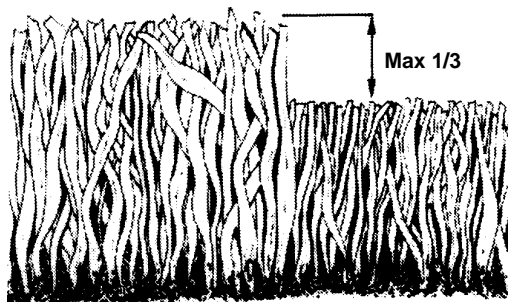
Ⓓ Mähen Sie das Gras bei starkem Wachstum zweimal wöchentlich. Mähen Sie niemals mehr als 1/3 der Graslänge. Dies gilt besonders für trockene Perioden. Mähen Sie danach das Resultat und stellen Sie dann die erwünschte Schnitthöhe ein. Ist das Gras besonders hoch, fahren Sie langsam mit dem Rasenmäher. Mähen Sie gegebenenfalls zweimal.

Ⓕ Au cours de las période de croissance intensive, couper l'herbe au moins deux fois par semaine. Ne jamais couper plus de 1/3 de la hauteur de l'herbe, particulièrement en période de sécheresse. Tondre la première fois avec la tondeuse réglée sur une position haute de coupe. Vérifier le résultat et abaisser ensuite à la hauteur souhaitée. Si l'herbe est très haute, passer la tondeuse lentement, éventuellement, la passer deux fois.

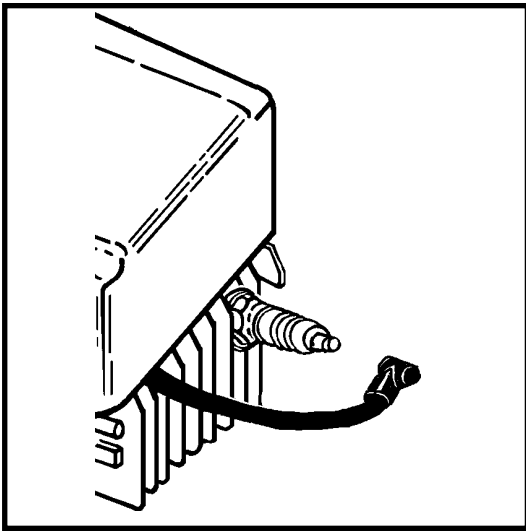
Ⓖ Cuando la hierba crece rápidamente es necesario cortar el césped dos veces por semana. No es conveniente cortarla en más de una tercera parte de su largo, sobre todo en perfodos secos. El primer corte se hace con el cortacésped en una de sus posiciones más altas y , después de observar el resultado, se ajusta a la altura deseada. Si la hierba está muy alta se recomienda pasar el cortacésped a poca velocidad o cortar el césped dos veces seguidas.

Ⓒ Maai het gazon twee maal per week in de grootste groeiperiode. Niet meer dan 1/3 van de totale lengte maaien, vooral niet in een droge periode. Indien het gras erg lang is, eerst in de hoogste maaistand maaien, daarna oop de gewenste maaahoogte instellen. Eventueel twee maal maaien.

Ⓘ Falciare l'erba 2 volte la settimana nel periodo della massima crescita. Non tagliare mai più di 1/3 della lunghezza dell'erba, specialmente nei periodi di scità. La prima volta, faciare con il tosaerba regolato ad una delle maggiori altezze. Controllare il risultato e portare quindi il tosaerba all'altezza desiderata. Se l'erba è molto alta, falciare lentamente, eventualmente faciare 2 volte.







**(GB) MAINTENANCE** Always remove the spark plug lead before repair, cleaning or maintenance work. After 5 hours running time, tighten screws and nuts. Check the oil. The **spark plug** must be at the **highest point** on the mower when it is tilted up.

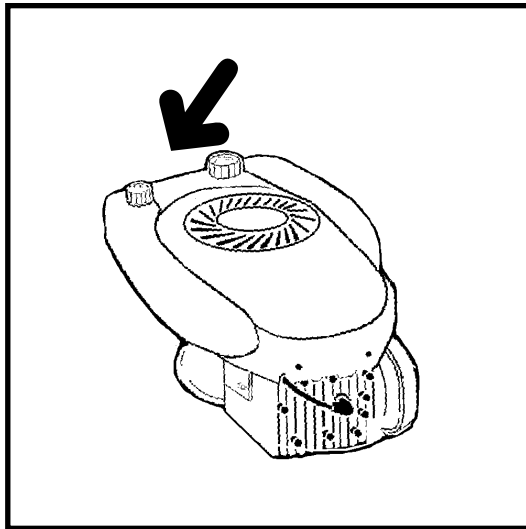
**(D) WARTUNG** Ziehen Sie immer das Zündkerzenkabel ab, bevor Sie mit der Reparatur, Reinigung oder mit Wartungsarbeiten beginnen. Nach den ersten 5 Betriebsstunden alle Schrauben und Muttern überprüfen. Ölstand kontrollieren. Wenn der Rasenmäher gekippt wird, müssen sich die Zündkerze an der höchsten Stelle befinden.

**(F) ENTRETIEN** Toujours debrancher la bougie avant réparation nettoyage entretien. Après 5 heures d'utilisation, resserrer vis et écrous. Vérifier l'huile. Lorsque la tondeuse est inclinée sur le côté, il faut que la bougie occupe la position la plus élevée.

**(E) INSPECCION** Desconéctese siempre el cable del encendido de la bujía antes de hacer una reparación, limpieza o trabajo de mantenimiento. Vovler a apretar tuercas y tornillos después de cinco horas de trabajo. Controlóse el aceite. Si se coloca el cortacésped de lado, el punto más alto debe ser la bujía.

**(NL) ONDERHOUD** Voordag u begint met schoonmaken, reparaties of afstellen, **altijd eerst de bougiekabel losmaken**. Bouten en moeren controleren na vijf draaiuren. Oliepeil controleren en zonodig bijvullen. Als de maaier op de zijkant wordt gelegd, zorg dan dat de bougie naar boven zijn gericht.

**(I) MATENIMENTO** **Manutenzione: Staccare sempre il cavo di accensione** prima di riparazioni, pulizie o lavori di manutenzione. Dopo 5 ore di funzionamento stringere viti e dadi. Controllare l'olio. Piegando la falciatrice sul fiancolare attenzione che la **candela sia il punto più alto**.



**(GB) Regularly** Stop the engine and unscrew the dipstick. The level should be between FULL and ADD. Note: the dipstick must be screwed all the way down in order to indicate correct oil level. Avoid filling with too much oil.

**(D) Regelmässig** Stellen Sie den Motor ab und schrauben Sie den Ölpeilstab heraus. De Ölstand soll swischen FULL and ADD liegen. Achtung, der Ölpeilstab muss vollständig hineingeschraubt sein, damit der richtige Ölstand angezeigt werden kann. Vermeiden Sie zu viel Öl einzufüllen.

**(F) Régulièrement** Arrêter moteur et vérifier la jauge à julie. Le niveau doit être situé entre FULL (plein) et ADD (ajoutez). Attention, il faut que la jauge soit vissé à fond pour obtenir un résultat correct. Eviter de mettre trop d'huile.

**(E) Periódicamente** Parar el motor para controlar el nivel de aceite del motor. Debe estar entre FULL y ADD. Atención: la tapa tiene que estar bien puesta para que la indicación del nivel de aceite de la varilla sea correcta. Evitar relleno excesivo de aceite.

**(NL) Regelmatig** Controleer het oliepeil bij voorkeur bij een koude motor. Het niveau moet tussen <<FULL>> en <<ADD>> staan. Nooit beneden de <<add??>> mar ook nooit boven <<full>>. N.B. De peilstok moet geheel ingedraaid worden voor dejuiste meting. Niet teveel olie bijvullen.

**(I) Periodicamente** Arrestare il more e controllare l'asta dell'olio. Li livello deve trovarsi fra FULL e ADD. Attenzione: l'asta dell'olio deve essere avvitata fino in fondo per vedere il livello correctto dell'olio. Evitare di versare troppo olio.

**(GB) Annually (After end of season)** Grinding and balancing the cutter blade. **Remove the spark plug lead**. Unscrew the cutter blade and deliver it to a service workshop for grinding and balancing. Tighten the screw properly when reassembling.

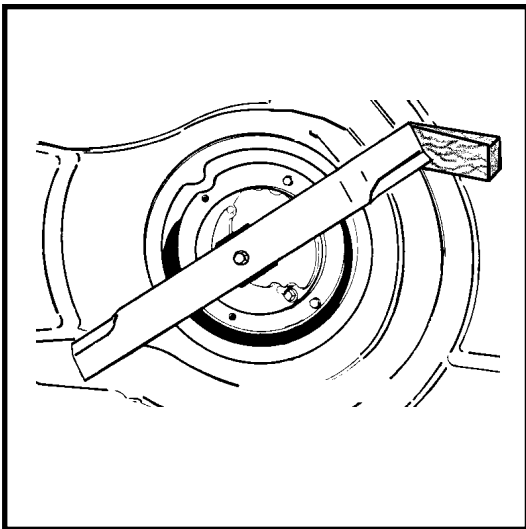
**(D) Jährlich (nach Beendigung der Saison)** Schleifen und Auswuchten des Messers. **(Achtung: Vor Demontage des Messers Zündkabel von der Zündkerze entfernen)**. Schrauben Sie das Messer ab und bringen dieses in eine Service-Werkstatt. Bei der Montage die Schrauben richtig anziehen.

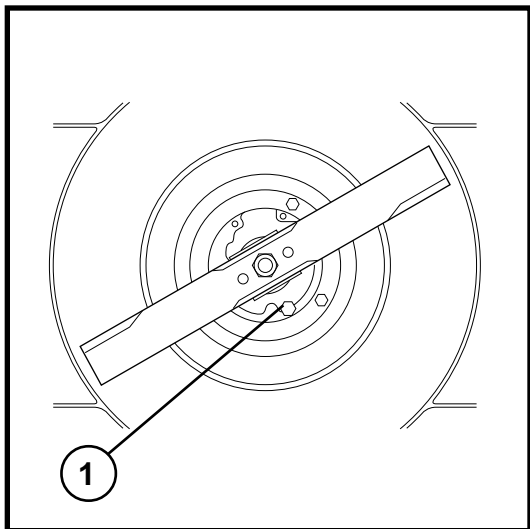
**(F) Annuellement (à fin de la saison)** Aiguisage et équilibrage de la lame. **Debrancher la bougie**. La démonter et la donner à aiguiser à une station-service. Bien resserrer la vis après remontage.

**(E) Revisión anual (Al terminar la estación)** Afilado y equilibrado de la cuchilla. **Se desconecta el cable del encendido de la bujía**. Se desmonta leugo la cuchilla que es entrega a un taller mecánico para su afilado y equilibrado. Apriétese bien la tuerca al volver a montar.

**(NL) Jarlijks (na einde van het seizoen)** Slijpen en balanceren van het maaimes. **De bougiekabel losmaken**. Schroef het mes er af en breng het naar de werkplaats voor slijpen en balanceren. Bij het weer aanbrengen de schroef goed vastdraaien.

**(I) Controllo annuale (All fine stagione)** Rettifica e bilanciamento della lama. **Rimuovere il cavo di accensione**. Smontare la lama e consegnarla ad una officina di servizio per la rettifica ed il bilanciamento. Stringere bene le viti nel rimontaggio.





Ⓒ 1 OIL DRAIN PLUG

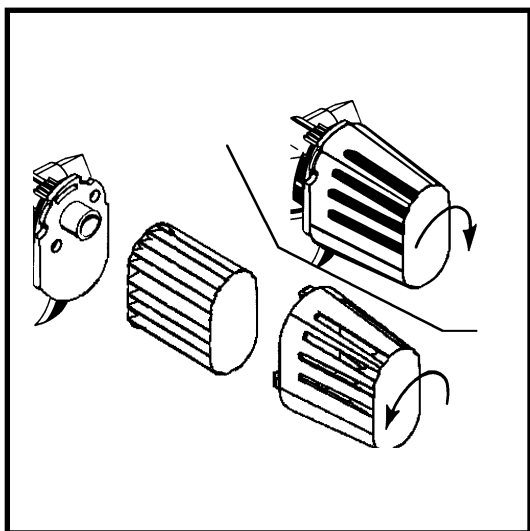
Ⓓ 1 Ölablaßschraube

Ⓕ 1 Bouchon de vidange d'huile

Ⓔ 1 TAPON DE DRENAJE PARA ACEITE

Ⓖ 1 AFTAPPLUG OLIE

Ⓘ 1 TAPPO DI SCARICO DELL'OLIO



Ⓒ Change oil after each season or after 25 hours running time. Run the engine warm, remove the spark plug lead. Remove the drain plug from bottom of engine and drain oil. Fill with new oil. SAE 10W 30 can be used.

Ⓓ Ölwechsel einmal pro Jahr oder nach 25 Betriebsstunden. Den Motor warm laufen lassen, abstellen und das Zündkerzenkabel abziehen. Die Ölablaßschraube an der Unterseite des Motors entfernen und das Öl ablassen. Danach neues Öl auffüllen SAE 10W30.

Ⓕ Changer l'huile à chaque saison ou après 25 heures de marche. Echauffer le moteur, l'arrêter et enlever le câble d'allumage. Enlever le bouchon de vidange sous le moteur et vider l'huile. Puis remplir d'huile neuve : SAE 10W30 sont utilisables.

Ⓔ Cambiar el aceite cada temporada, o después de 25 horas de funcionamiento. Dejar funcionar el motor hasta que se caliente, pararlo y quitar el cable de encendido. Quitar el tapón de drenaje del lado inferior del motor y dejar salir el aceite. Poner después aceite nuevo. Pueden utilizarse los aceites SAE 10W30.

Ⓖ Ververs de olie elk seizoen, of na 25 u rijden. Laat de motor warmlopen, schakel de motor uit en demonteer de ontstekingskabel. Verwijder de aftapplug op de onderkant van de motor en tap de olie af. Vul daarna met verse olie: SAE 10W30.

Ⓘ Sostituire l'olio al termine di ogni stagione, oppure dopo 25 ore di esercizio. Scaldare il motore, spengerlo e staccare il cavo della candela. Togliere il tappo di scarico sotto il motore e far uscire tutto l'olio. Rifornire con olio nuovo SAE 10W30.

Ⓒ Cleaning of air filter. Remove the lid and remove the filter cartridge. Cleanse the filter in kerosene. Add 2-3 spoonfuls of oil and spread it evenly throughout the filter.

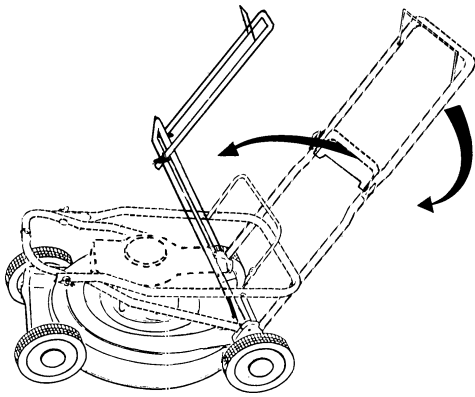
Ⓓ Reinigung des Luftfilters. Deckel abnehmen und Filtereinsatz herausnehmen.

Ⓕ Nettoyage du filtre à air. Enlevez le capot et retirez la cartouche filtrante. Nettoyez le filtre à l'essence. Ajoutez 2 à 3 cuillerées à soupe d'huile et réparez-la bien sur la filtre.

Ⓔ Limpieza del filtro de aire. Quitar la tapa y extraer el elemento filtrante. Limpiar el filtro con petróleo. Añadir 2-3 cucharadas soperas de aceite, que se distribuirán uniformemente por el filtro.

Ⓖ Het schoonmaken van het luchfilter. Verwijder de deksel en haal het filter eruit. Maak deze schoon in petroleum. Doe er daarna 2-3 eetlepels olie in en verdeel deze goed in het filter.

Ⓘ Pulizia del filtro. Togliere il coperchio ed estrarre il filtro. Pulire il filtro in bagno di petrolio. Aggiungere 2-3 cucchiari di olio che verra distribuito uniformemente su tutto il filtro.



## ⓐ GENERAL INFORMATION

### Transport

**Remove spark plug lead.** Empty the petrol tank. Before public transport engine oil and petrol must be removed.

## ⓓ ALGEMEINE ERLÄUTERUNGEN

### Transport

**Ziehen Sie das Zündkerzenkabel ab.** Entleeren Sie den Benzintank. Bei Transport mit öffentlichen Verkehrsmitteln ist der Benzin und Öltank zu entleeren.

## ⓕ RENSEIGNEMENTS GENERAUX

### Transport

**Débrancher la bougie.** Vider le réservoir d'essence. En cas de transport par un service public, il faut vider et l'essence et l'huile.

## ⓔ INFORMACIONES GENERALES

### Transporte

**Desconexión del cable de bujía.** Vacíese el depósito de gasolina y, si se trata de transporte público, también el de aceite.

## Ⓝ ALGEMENE INFORMATIE

### Vervoer

**De bougiekabel losmaken.** Ledig de benzinetank. Bij openbaar vervoer dienen zowel olie-als benzinetank geledigd te worden.

## Ⓢ INFORMAZIONE GENERALI

### Transporto

**Staccare il cavo d'accensione dalla candela.** Svuotare il serbatoio della benzina. In caso di trasporto su mezzi pubblici, si deve svuotare sia la benzina che l'olio.