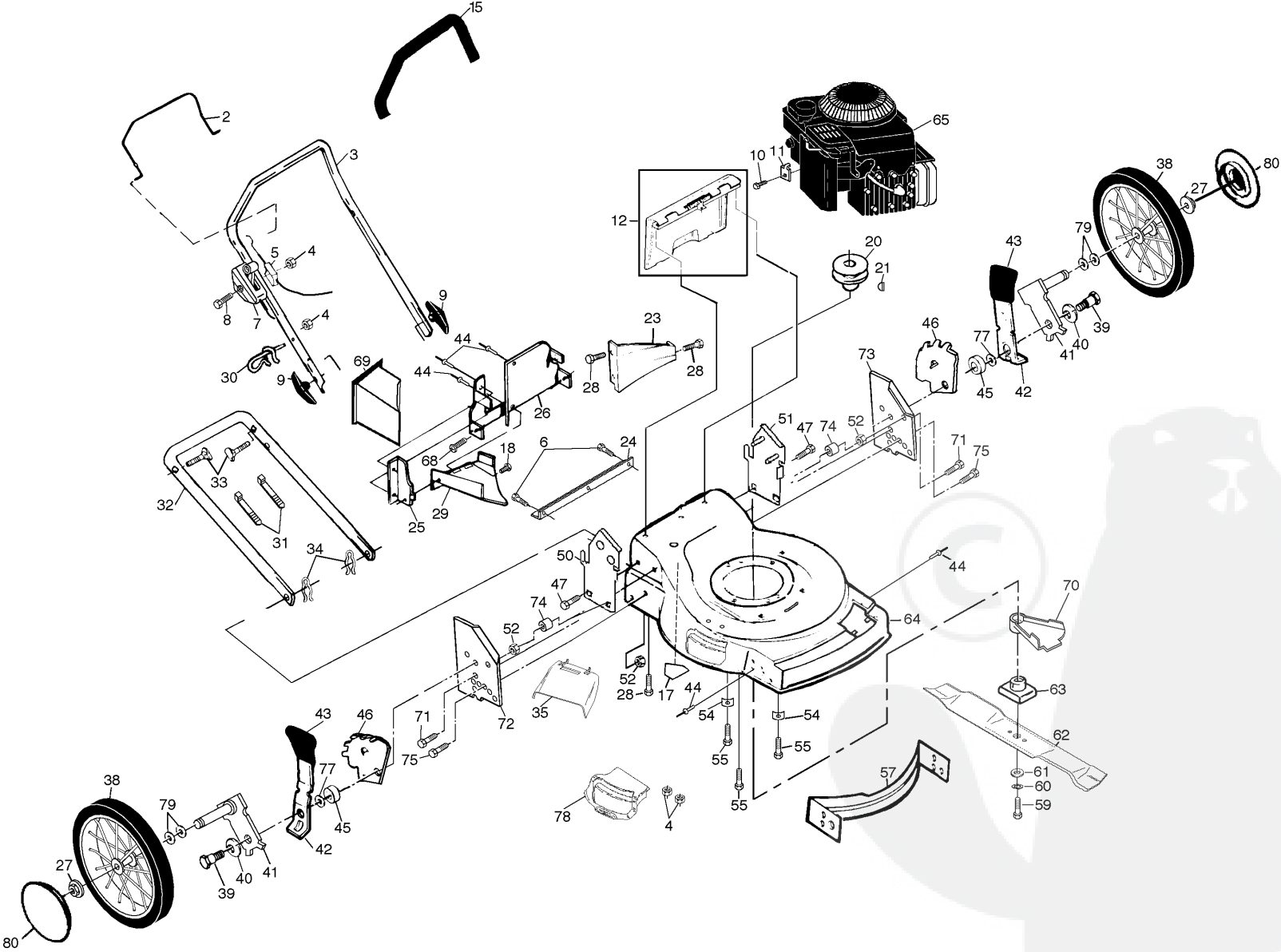


# REPAIR PARTS

## ROTARY LAWN MOWER - - MODEL NO. BM6TGR31A



# REPAIR PARTS

## ROTARY LAWN MOWER - - MODEL NO. BM6TGR31A

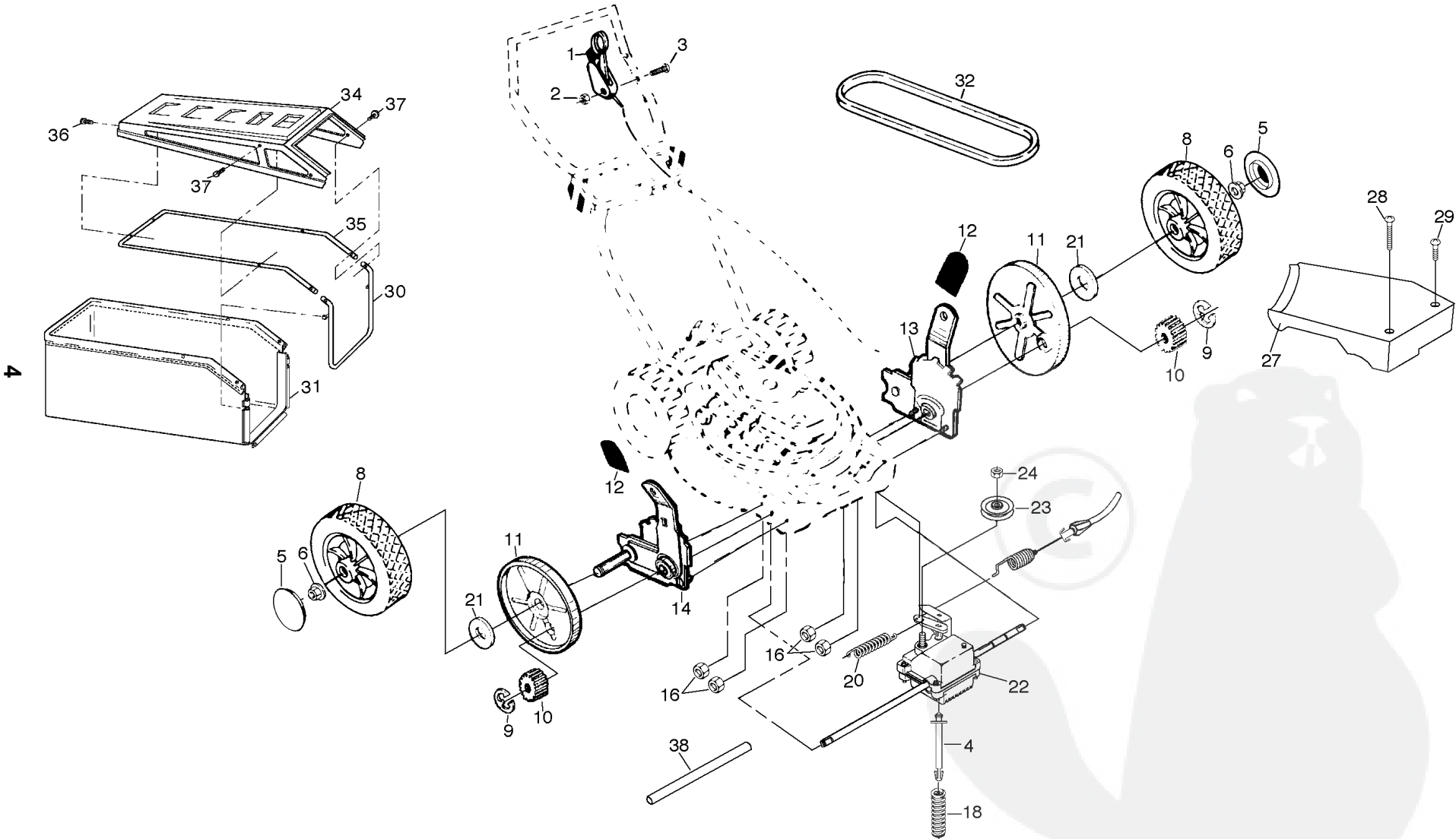
3

KEY NO.	PART NO.	DESCRIPTION	KEY NO.	PART NO.	DESCRIPTION
2	145794	Control Bar	45	146630	Spacer
3	165542	Upper Handle	46	700325X007	Wheel Adjusting Bracket
4	63601	Locknut	47	150078	Self-tapping Screw 5/16-18 x 3/4
5	130861	Engine Zone Control Cable	50	701921X479	Handle Bracket (Right)
6	146694	Screw (Foot Guard)	51	701923X479	Handle Bracket (Left)
7	700417	Throttle Control	52	751592	Locknut 3/8-16
8	144929	Hex Washer Head Screw 1/4-20 x 2-1/4	54	851201X004	Engine Washer
9	136376	Handle Knob	55	150406	Hex Head Thread Rolling Screw 3/8-16 x 1-1/8
10	83816	Screw #10 x 5/8	57	165546	Front Baffle
11	111190X	Cable Clamp (Engine)	59	851084	Hex Head Machine Screw 3/8-24 x 1-3/8 Gr. 8
12	147615	Rear Door Kit	60	850263	Helical Lock Washer
15	164265	Foam Grip	61	851074	Hardened Washer
17	145494	Danger Decal	62	141114	Blade 22"
18	150050	Screw	63	851514	Blade Adapter
20	84596	Engine Pulley	64	167738	Lawn Mower Housing Kit (Includes Key No. 17)
21	87677	Hi Pro Key #505	65	--- --	* Engine - Briggs & Stratton Model No. 12H802 Order parts from engine manufacturer
23	133040X479	Baffle, Rear	68	88652	Hinge Screw
24	146143X479	Foot Guard	69	166649	Mulcher Plug
25	700365X479	Side Baffle	70	134612	Debris Shield
26	156380X479	Back Plate	71	149588	Thread Cutting Screw 5/16 - 18 x 1-1/5
27	83923	Flanged Locknut	72	700170X558	Support Bracket (RH)
28	54583	Screw Hex Head 1/4-20 x 1/2	73	700172X558	Support Bracket (LH)
29	133190X479	Discharge Baffle	74	73713	Spacer
30	132001	Rope Guide	75	74760612	Bolt
31	66426	Wire Tie	77	88348	Flat Washer
32	151721x479	Lower Handle	78	148195	Combi-cut Door
33	131959	Handle Bolt	79	57143	Wave Washer
34	51793	Hairpin Cotter	80	150635	Hubcap
35	145285	Clip-on Discharge Deflector	--	167567	Operator's Manual(Euro)
38	151138	Wheel & Tire Assembly	--	167568	Replacement Parts Manual
39	142748	Shoulder Bolt			
40	61651	Spring Washer			
41	750913X479	Axle Arm			
42	700331X004	Selector Spring			
43	87877	Selector Knob			
44	128415	Pop Rivet			

\* These parts must be purchased through an authorized Briggs & Stratton dealer.

# REPAIR PARTS

## ROTARY LAWN MOWER - - MODEL NO. BM6TGR31A



# REPAIR PARTS

## ROTARY LAWN MOWER - - MODEL NO. BM6TGR31A

KEY NO.	PART NO.	DESCRIPTION
1	146323	Drive Control
2	751152	Locknut #10-24
3	158755	Hex Washer Hd Screw #10-24 x 2-1/8
4	150495	Spring Retainer
5	150182	Hubcap
6	145212	Flanged Locknut
8	150340	Wheel & Tire Assembly
9	12000058	E-ring
10	137054	Pinion
11	88080	Dust Cover
12	87877	Selector Knob
13	151521	Wheel Adjuster Assembly (Left)
14	151520	Wheel Adjuster Assembly (Right)
16	63601	Locknut
18	137090	Spring
20	75192	Spring

KEY NO.	PART NO.	DESCRIPTION
21	67725	Washer 1/2 x 1-1/2 x .134
22	702511	Gear Case Assembly
23	137052	Drive Pulley
24	132010	Locknut
27	137081	Drive Cover
28	146072	Pan Head Tapping Screw #10-24 x 2-3/4
29	149746	Pan Head Tapping Screw #10-24 x 1-3/4
30	851735	Catcher Frame
31	167569	Grass Bag
32	146527	V-Belt
34	851739	Catcher Top
35	851658	Tube Catcher
36	131029	Screw-Hex Washer #10-24 x .680
37	750634	Screw Threads Roll #10-24 x 1/2
38	86012	Drive Shaft Cover

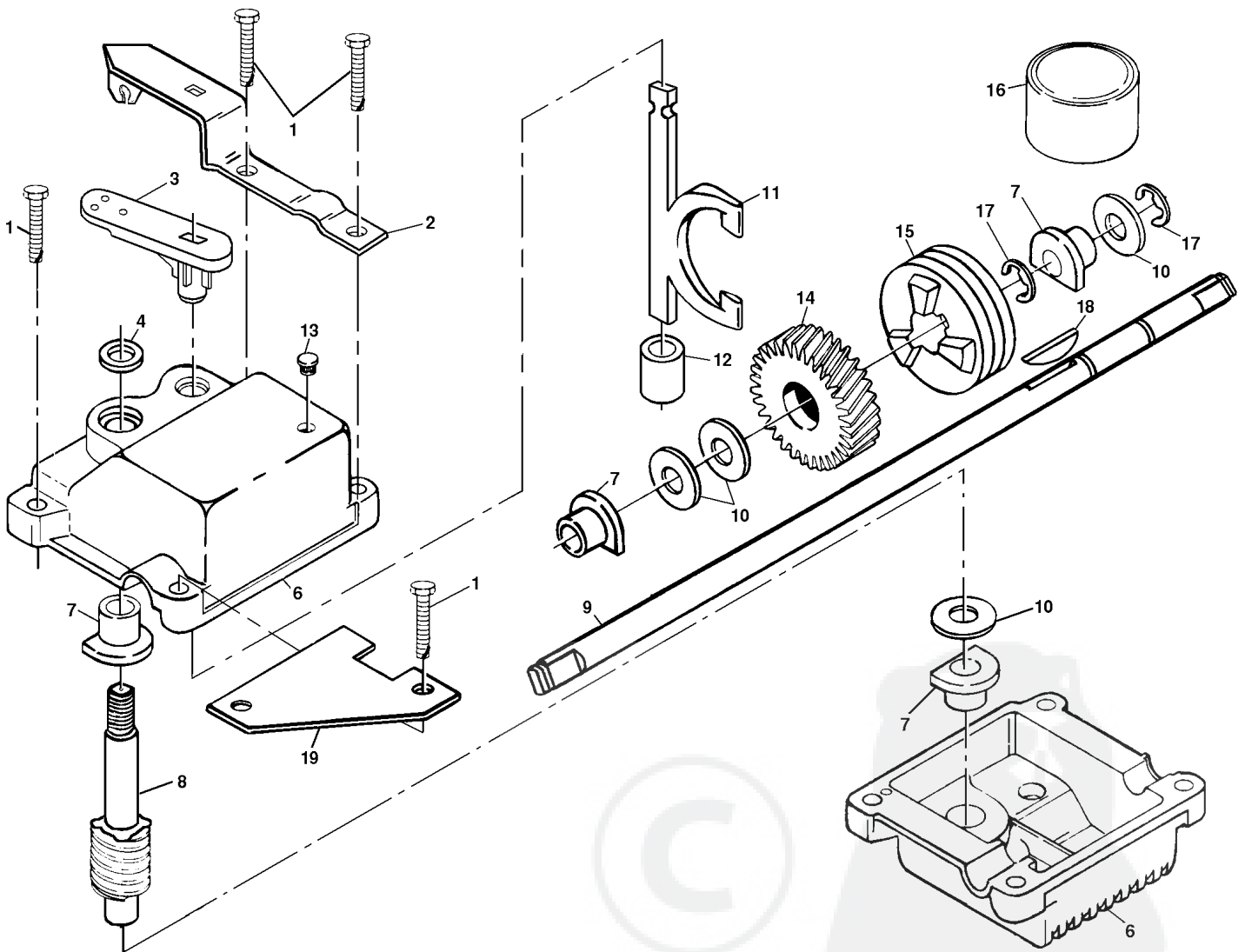
5



# REPAIR PARTS

POWER PROPELLED LAWN MOWER -- MODEL NO. BM6TGR31A

GEAR CASE ASSEMBLY PART NUMBER 702511



KEY NO.	PART NO.	DESCRIPTION
1	17490416	Tapping Screw 1/4-20 x 1-1/4
2	137055X004	Engagement Bracket
3	137053	Shifter
4	57072	Seal
6	48373	Gear Case Halves Kit (Includes Key Nos. 4, 5, and 7)
7	77881	Bearing
8	137051	Worm Shaft
9	137074	Drive Shaft
10	57079	Hardened Washer

KEY NO.	PART NO.	DESCRIPTION
11	131484	Clutch Yoke
12	700343	Bushing
13	86447	Plug
14	137050	Helical Gear
15	750436X	Clutch Jaw
16	750369	Grease
17	12000003	E-Ring
18	850848	Hi-Pro Key
19	81585X004	Spring Bracket

**NOTE:** All component dimensions given in U.S. inches.  
1 inch = 25.4 mm

# SERVICE NOTES

