

# ILLUSTRATED PARTS BREAKDOWN

**PARTNER**

**15.5 HP, 42" MOWER DECK**

**LAWN TRACTOR**

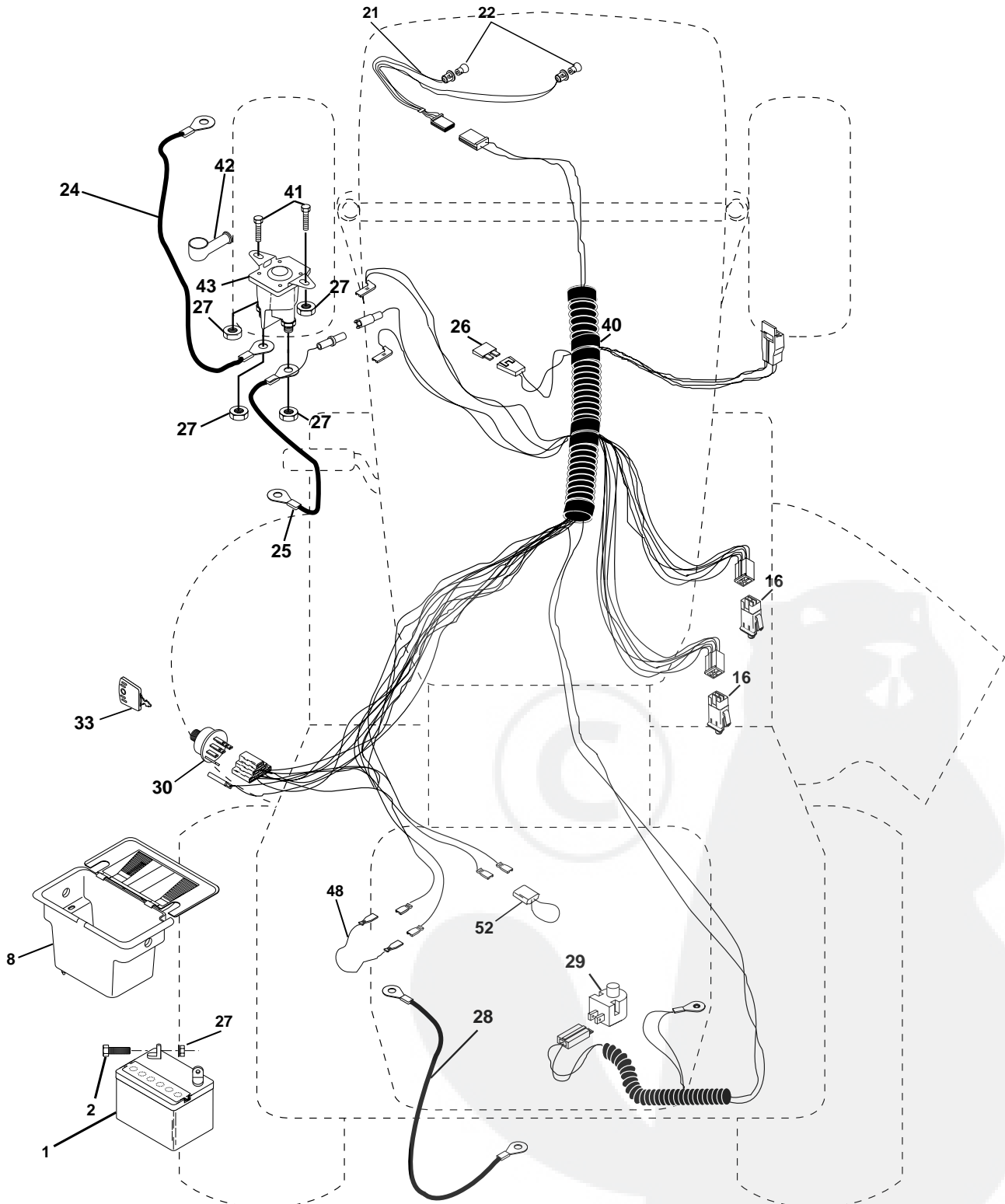
**MODEL NUMBER P155-107H (P155H42H)**

**954 12 00-32**



# REPAIR PARTS

TRACTOR- -MODEL NO. P155-107H (P155H42H), PRODUCT NO. 954 12 00-32  
ELECTRICAL

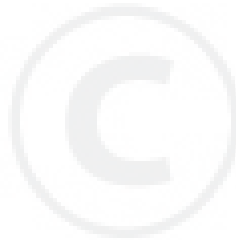


# REPAIR PARTS

TRACTOR- -MODEL NO. P155-107H (P155H42H), PRODUCT NO. 954 12 00-32  
ELECTRICAL

KEY NO.	PART NO.	DESCRIPTION
1	532144925	Battery 12 Volt 25 AMP
2	874760412	Bolt Hex Hd 1/4-20unc X 3/4
8	532156417	Case Battery Hng Mech W/lid
16	532153664	Switch Interlock Push-In
21	532166181	Harness Asm Light W/4152j
22	532004152	Bulb Light #1156
24	532124780	Cable Battery 6 Ga 11" Red
25	532146147	Cable Battery 6 Ga Red w/16 wir
26	532175158	Fuse 20 AMP
27	873510400	Nut Keps Hex 1/4-20 Unc
28	532124773	Cable Ground 6 Ga 12" black
29	532121305	Switch Plunger Nc Gray
30	532175566	Switch Ign
33	532140401	Key
40	<b>532178437</b>	Harness Ing Cl Am Hm
41	871110408	Bolt Blk Fin Hex 1/4 - 20 x 1/2
42	532131563	Cover Terminal Red
43	532175141	Solenoid
48	532140844	Adapter Ammeter Rectangular
52	532141940	Protection Wire Loop

**NOTE:** All component dimensions given in U.S. inches.  
1 inch = 25.4 mm.





# REPAIR PARTS

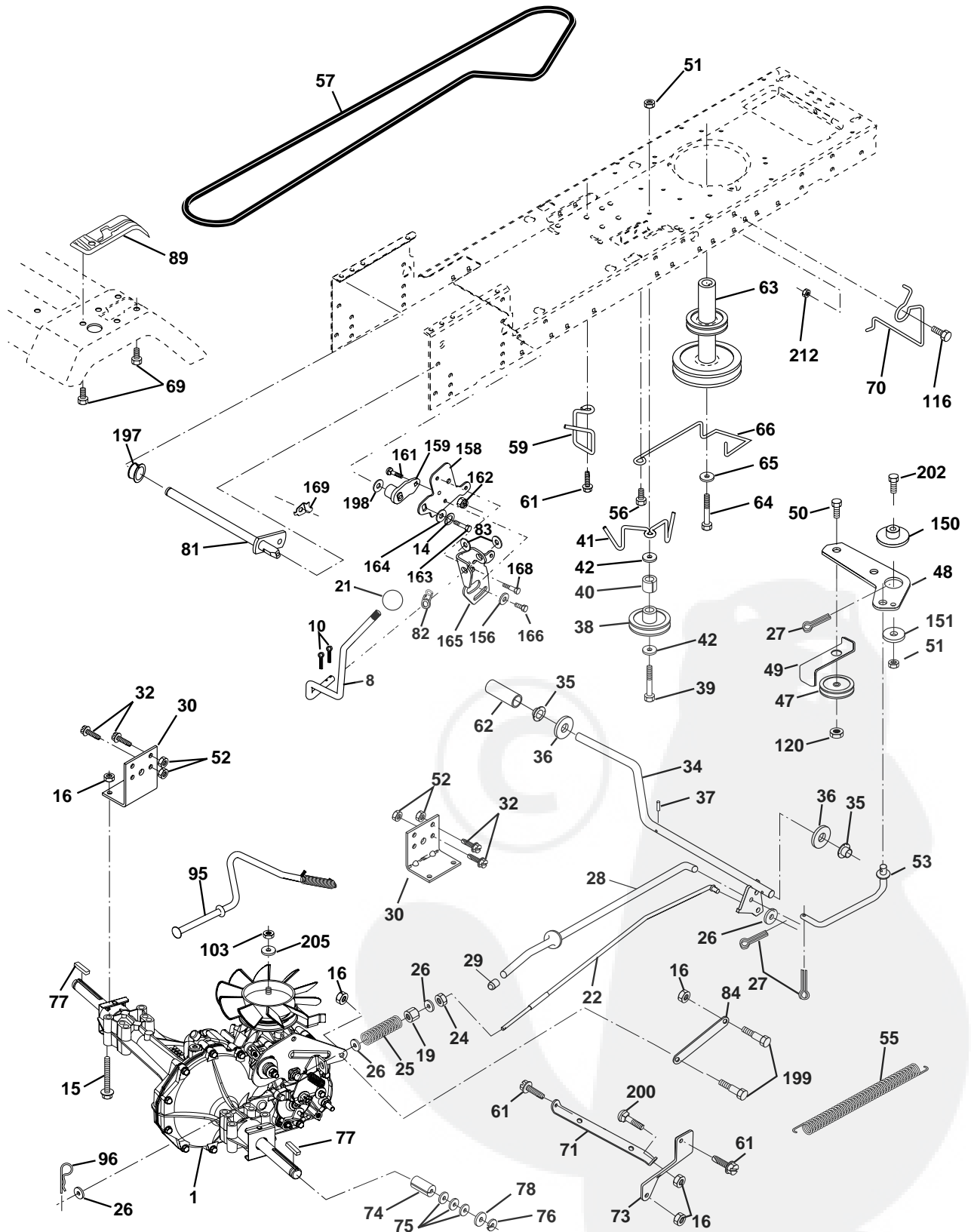
TRACTOR- -MODEL NO. P155-107H (P155H42H), PRODUCT NO. 954 12 00-32  
CHASSIS AND ENCLOSURES

KEY NO.	PART NO.	DESCRIPTION
1	<b>532174619</b>	Chassis
2	<b>532176554</b>	Drawbar
3	817060612	Screw 3/8-16 x .75
5	532155272	Bumper Hood Dash
9	532172151	Dash
10	872140608	Bolt Rdhd Sqnk 3/8-16unc X 1
11	532155927	Panel Dash LH
12	532145660	Clip Tinnerman Grille P/L
13	532172108	Panel Dash RH
14	<b>817490608</b>	Screw Thdrol 3/8-16 x 1/2
17	532160382	Hood
18	532126938	Bumper Hood
20	532156437	Plate Mtg Battery/Fuel Tank Fr
23	532124028	Bushing Snap Nyl/Blk Fuel Line
24	874780616	Bolt Fin Hex 3/8-16unc X 1 Gr. 5
25	819131312	Washer 13/32 X 13/16 X 12 Ga.
26	873800600	Nut Lock Hex w/Ins 3/8-16 Unc
28	532143499	Grille Private Label
29	532168154	Lens Grille Private Label
30	532173026	Fender
31	532136619	Bracket Fender Repl 109873x
33	532147203	Footrest Pnt LH
34	532147202	Footrest Pnt RH
35	872110606	Bolt Rdhd Sht Sqnk 3/8-16 X3/4
37	817490508	Screw Thdrol 5/16-18 x 1/2 Tyt
38	<b>532175710</b>	Bracket Asm Pivot Mower Rear
51	873800400	Nut Lock w/Insert 1/4-20
52	819091416	Washer 9/32 x 7/8 x 16 Ga.
53	532144697	Bracket Grille LH
54	532161464	Screw Hex Wshd 8-18 x 7/8
55	532144696	Bracket Grille RH
57	874780412	Bolt Hex 1/4-20 x 3/4
58	532150127	Air Duct Private Label
64	532154798	Dash Lower STLT
142	532165867	Plate Reinforcement STLT
145	532156524	Rod Pivot Chassis/Hood
206	532170165	Bolt Shoulder 5/16-18
207	817670508	Screw Thdrol 5/16-18 x 1/2
208	817670608	Screw Thdrol 3/8-16 x 1/2
212	532156299	Insert Lens Reflect P/L LT Svc
--	532005479	Plug Button Blk 359 Dia Choke

**NOTE:** All component dimensions given in U.S. inches.  
1 inch = 25.4 mm.

# REPAIR PARTS

TRACTOR- -MODEL NO. P155-107H (P155H42H), PRODUCT NO. 954 12 00-32  
DRIVE



# REPAIR PARTS

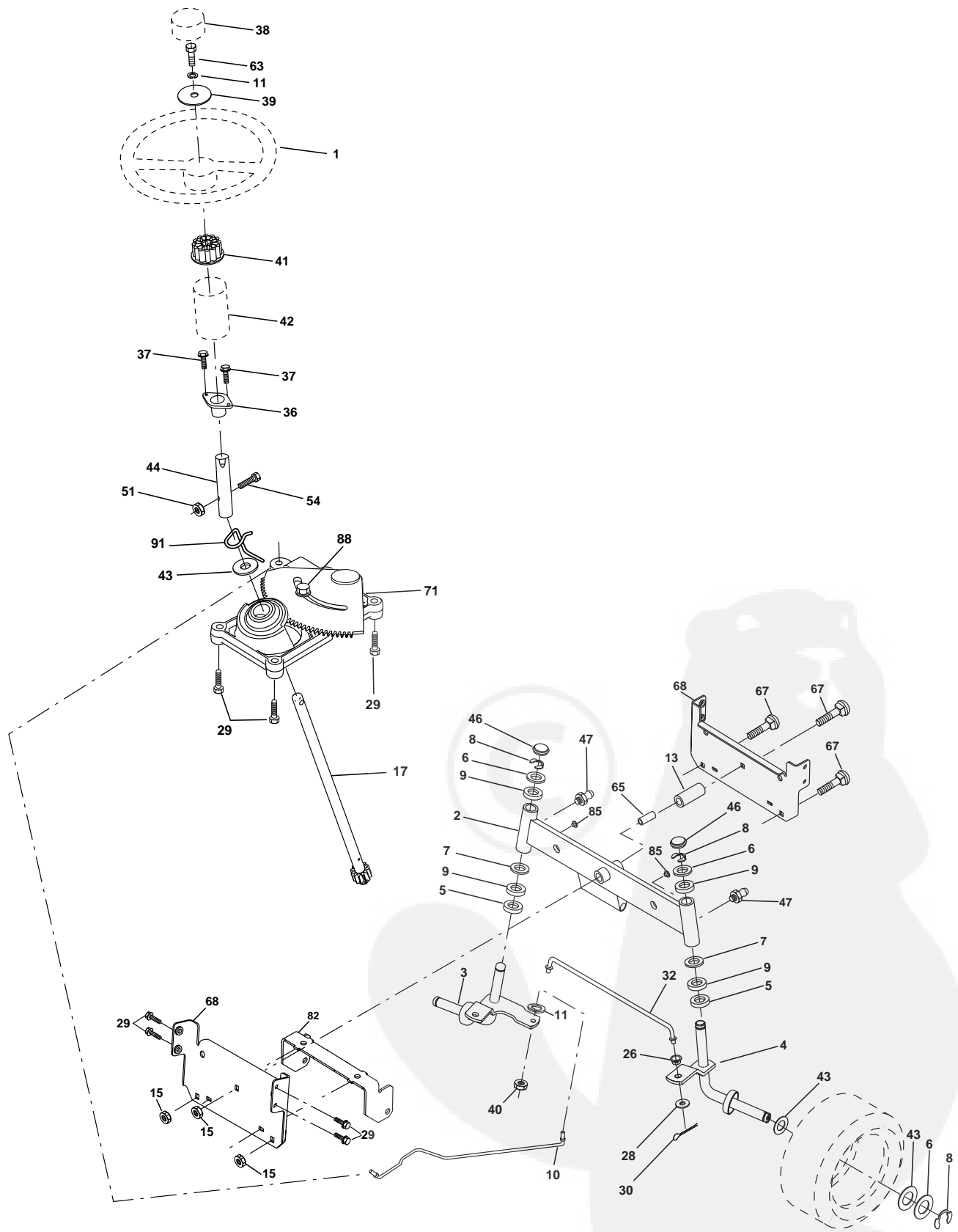
TRACTOR- -MODEL NO. P155-107H (P155H42H), PRODUCT NO. 954 12 00-32  
DRIVE

KEY NO.	PART NO.	DESCRIPTION	KEY NO.	PART NO.	DESCRIPTION
1	-----	Transmission Hydro 314-0510 (Order parts from transaxle manufacturer)	65	810040700	Washer
8	532165619	Rod, Shift	66	532154778	Keeper, Belt Engine F-proof
10	876020416	Pin, Cotter 1/8 x 1	69	532142432	Screw
14	810040400	Washer Lock Hvy Helical	70	532134683	Guide, Belt, Mower Drive RH
15	874490544	Bolt Hex FLGHD 5/16-18 Gr. 5	71	532169183	Strap, Torque, Lh
16	873800500	Nut, Lock Hex w/Ins 5/16-18 UNC	73	532169182	Strap, Torque, Rh
19	873800600	Nut, Lock Hex w/Wsh 3/8-16 UNC	74	<b>532137057</b>	Spacer, Axle
21	532140845	Knob Deluxe 1/2-13 Unc Blk/Blk	75	532121749	Washer 25/32 x 1-1/4 x 16 Ga.
22	532169498	Rod, Brake	76	812000001	Ring, E
24	873350600	Nut	77	532123583	Key, Square
25	532106888	Spring, Rod, Brake	78	532121748	Washer 25/32 x 1-5/8 x 16 Ga.
26	819131316	Washer 13/32 x 13/16 x 16 Ga.	81	532165596	Asm, Shaft Cross
27	876020412	Pin, Cotter 1/8 x 3/4	82	532123782	Spring, Torsion
28	<b>532175765</b>	Rod, Parking Brake	83	819171216	Washer 17/32 x 3/4 x 16 Ga.
29	532071673	Cap, Parking Brake	84	532169594	Link, Transaxle
30	532169592	Bracket, Transmission	89	532173029	Console, Shift
32	874760512	Bolt Hex 5/16-18 UNC x 3/4	95	532170201	Control Asm Bypass Hydro
34	<b>532175578</b>	Shaft, Foot Pedal	96	532124788	Spring, Retainer 1"
35	532120183	Bearing, Nylon	116	<b>872110608</b>	Bolt Rdhd Sq Neck 3/8-16 x 1.0
36	819211616	Washer	120	<b>873900600</b>	Nut Lock Flg 3/8-16 Unc
37	532124963	Pin, Roll	150	<b>532175456</b>	Spacer Retainer
38	<b>532165936</b>	Pulley, Idler, Flat	151	819133210	Washer 17/32 x 2 x 10
39	<b>874760648</b>	Bolt	156	532166002	Washer Srrted 5/16ID x 1.125
40	<b>532175461</b>	Spacer, Split	158	532165589	Bracket Shift Mount
41	<b>532175556</b>	Keeper, Belt, Idler	159	532165494	Hub Tapered Flange Shift Lt
42	819131312	Washer 13/32 x 13/16 x 12 Ga.	161	872140406	Bolt Rdhd Sqnk 1/4-20 x 3/4 Gr 5
47	532127783	Pulley, Idler, V-Belt	162	873680400	Nut Crownlock 1/4-20 Unc
48	532154407	Bellcrank Clutch Grnd Drustl	163	874780416	Bolt Hex Fin 1/4-20 Unc x 1 Gr 5
49	532123205	Retainer, Belt	164	819091010	Washer 5/8 x .281 x 10 Ga.
50	874760624	Bolt	165	532165623	Bracket Pivot Lever
51	873680600	Nut	166	532166880	Screw 5/16-18 x 5/8
52	873680500	Nut Crownlock 5/16-28	168	532165492	Bolt Shoulder 5/16-18 x .561
53	532105710	Link, Clutch	169	532165580	Plate Fastening Lt
55	532105709	Spring, Return, Clutch	197	532169613	Nyliner Snap-In
56	<b>817060616</b>	Screw 3/8-16 x 1	198	532169593	Washer Nyliner
57	532140294	V-Belt, Drive	199	532169612	Bolt Shoulder 5/16-18 UNC
59	532169691	Keeper, Belt, Center	200	872140508	Bolt RDHD SQNK 5/16-18 UNC x 1
61	817060612	Screw 3/8-16 x .75	202	872110612	Bolt Carr Sh 3/8-16 x 1-1/2 Gr.
62	532124872	Cover, Pedal	212	<b>532145212</b>	Nut Hex Flange Lock
63	<b>532175410</b>	Pulley, Engine			
64	871170764	Bolt Hex 7/16 x 4 Gr. 5			

**NOTE:** All component dimensions given in U.S. inches  
1 inch = 25.4 mm

# REPAIR PARTS

TRACTOR- -MODEL NO. P155-107H (P155H42H), PRODUCT NO. 954 12 00-32  
STEERING ASSEMBLY





# REPAIR PARTS

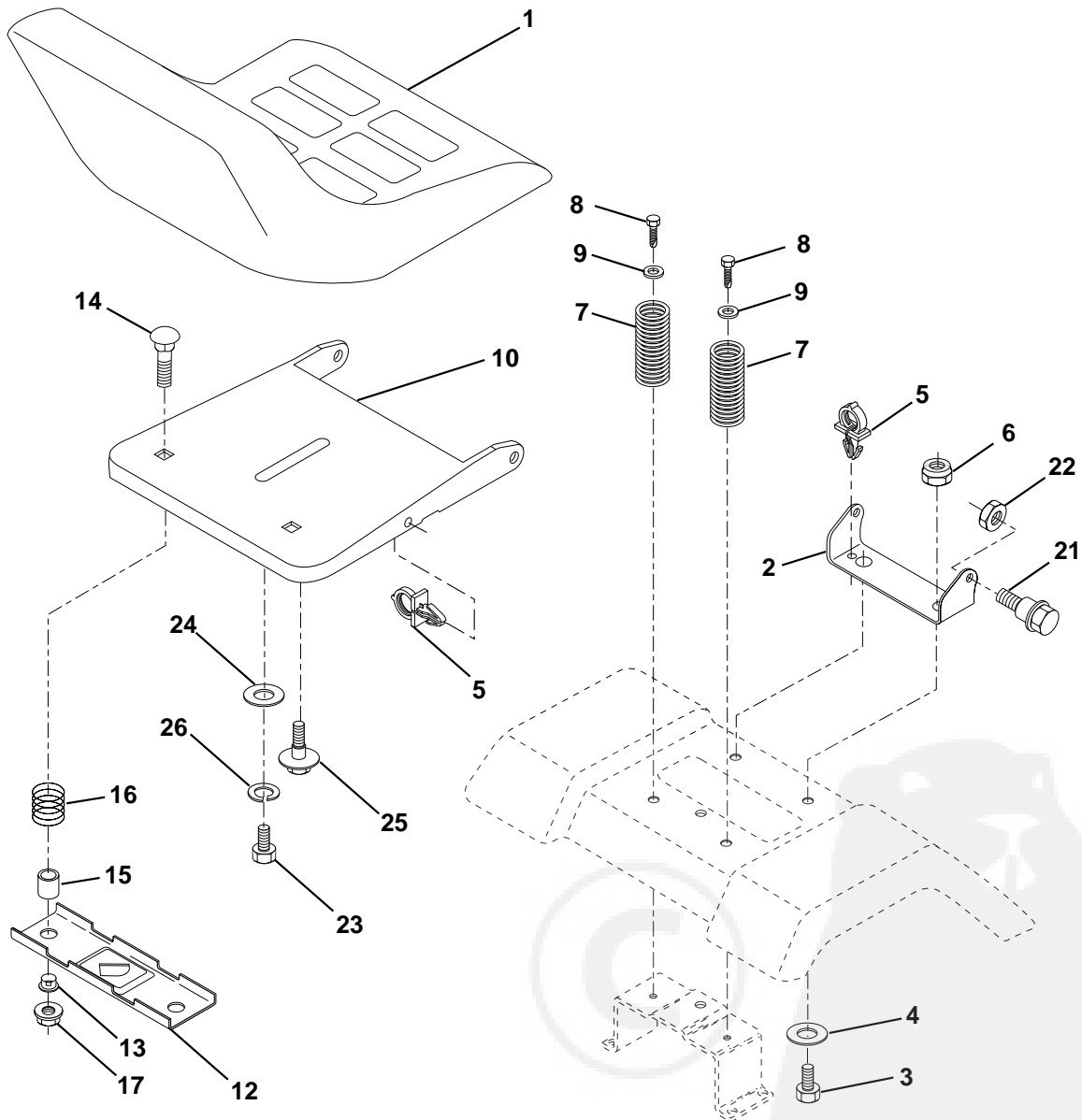
TRACTOR- -MODEL NO. P155-107H (P155H42H), PRODUCT NO. 954 12 00-32  
STEERING ASSEMBLY

KEY NO.	PART NO.	DESCRIPTION
1	532139768	Wheel Steering Opp. Sears Blk
2	532154427	Axle Asm Fr
3	532169840	Spindle Asm LH
4	532169839	Spindle Asm RH
5	532124931	Bearing Race Thrust Harden
6	532121748	Washer 25/32 x 1-5/8 x 16 Ga
7	819272016	Washer 27/32 x 1-1/4 x 16 Ga
8	812000029	Ring Klip #t5304-75
9	532124937	Bearing Col Strg Blk
10	<b>532175121</b>	Link Drag
11	810040600	Washer Lock Hvy Hlcl Spr 3/8
13	532136518	Spacer Brace Axle
15	532145212	Nut Hexflange Lock
17	<b>532177876</b>	Shaft Asm Strg
26	532126847	Bushing Link Drag Blk LR
28	819131416	Washer 13/32 x 7/8 x 16 Ga
29	817060612	Screw 3/8-16 x .75
30	876020412	Pin Cotter 1/8 x 3/4 Cad
32	532130465	Rod Tie Wire Form 19 75 Mech
36	532155099	Bushing Strg Nat .623/.618ld
37	532152927	Screw TT #10-32 x 5 x 3/8 Flange
38	532140175	Cap Wheel Steer P/L
39	819133812	Washer 13/32 x 2-3/8 x 12 Ga
40	532124701	Nut Lock Center 3/8-24unf
41	532100711	Adaptor Wheel Strg
42	532169633	Boot Shaft Steering
43	532121749	Washer 25/32 X 1 1/4 X 16 Ga
44	532153720	Extension Steering
46	532121232	Cap Spindle Fr Top Blk
47	532124836	Fitting Grease
51	873800500	Nut Lock Hx w/Ins 5/16-18 Unc
54	874780520	Bolt Fin Hex 5/16-18 Unc x 1-1/4
63	874780616	Bolt Fin Hex 3/8-16 UNC Gr. 5
65	532160367	Spacer Brace Axle
67	872140618	Bolt RDHD SQ 3/8-16 UNC x 2-1/4
68	532169827	Brace Axle
71	<b>532175146</b>	Steering Asm.
82	532169835	Bracket Susp. Chassis Front
85	532133835	Fastener Christmas Tree
88	<b>532175118</b>	Bolt Shoulder 7/16-20 Unc
91	<b>532175553</b>	Clip Steering

**NOTE:** All component dimensions given in U.S. inches.  
1 inch = 25.4 mm.

# REPAIR PARTS

TRACTOR- -MODEL NO. P155-107H (P155H42H), PRODUCT NO. 954 12 00-32  
SEAT ASSEMBLY



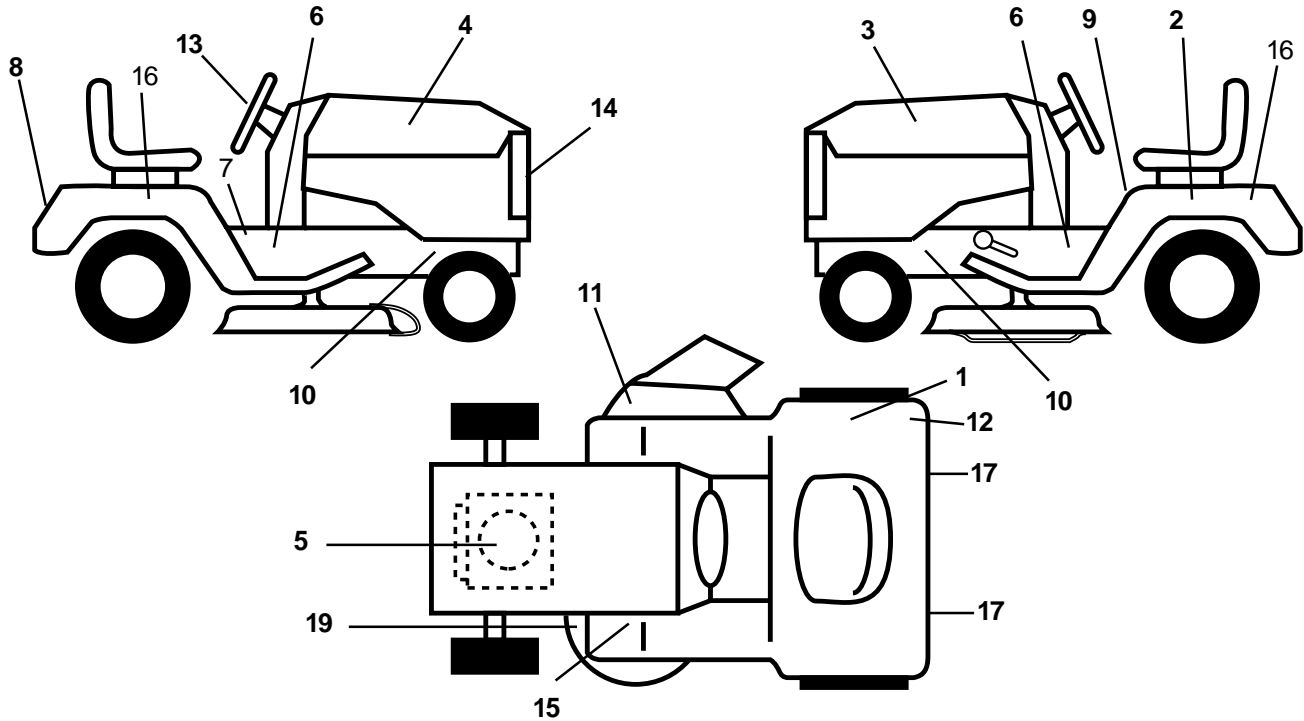
KEY NO.	PART NO.	DESCRIPTION
1	532140117	Seat
2	532140551	Bracket Pivot Seat 8 720
3	871110616	Bolt Fin Hex 3/8-16unc X 1
4	819131610	Washer 13/32 X 1 X 10 Ga
5	532145006	Clip Push-In
6	873800600	Nut Lock Hex w/Wsh 3/8-16 Unc
7	532124181	Spring Seat Cprsn 2 250 Blk Zi
8	817000616	Screw 3/8-16 X 1.5
9	819131614	Washer 13/32 X 1 X 14 Ga.
10	532174894	Pan Seat
12	532121246	Bracket Mounting Switch
13	532121248	Bushing Snap Blk Nyl 50 Id

KEY NO.	PART NO.	DESCRIPTION
14	872050412	Bolt Rdhd Sht Nk 1/4-20x1-1/2
15	532134300	Spacer Split 28x 96 Yel Zinc
16	532121250	Spring Cprsn 1 27 Blk Pnt
17	532123976	Nut Lock 1/4 Lge Flg Gr 5 Zinc
21	532171852	Bolt Shoulder 5/16-18 Unc -2A
22	873800500	Nut Lock Hex W/Insert 5/16-18 UNC
23	874780814	Bolt Fin 1/2 - 13 x 7/8 Fr. 5
24	819171912	Washer 17/32 X 1-3/16 X 12 Ga.
25	532127018	Bolt Shoulder 5/16-18 X 62
26	810040800	Washer Lock Hvy HLCLSPR 1/2

**NOTE:** All component dimensions given in U.S. inches.  
1 inch = 25.4 mm

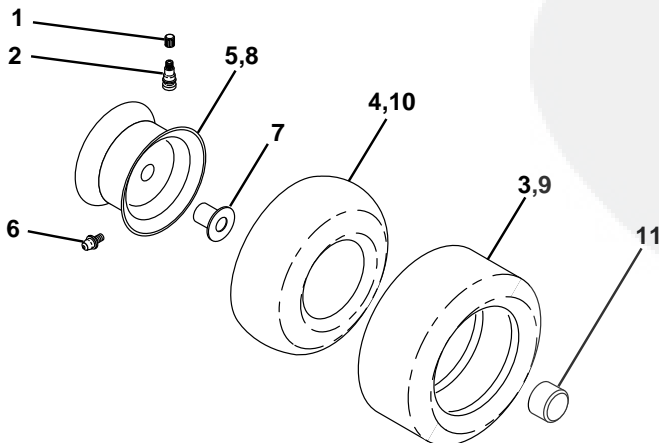
# REPAIR PARTS

TRACTOR- -MODEL NO. P155-107H (P155H42H), PRODUCT NO. 954 12 00-32  
DECALS



KEY NO.	PART NO.	DESCRIPTION	KEY NO.	PART NO.	DESCRIPTION
1	532145437	Decal Europe Stand CE	13	532146998	Decal Strg Wheel Cap
2	532145005	Decal Bat Dan/Poi P/L Symbols	14	532140986	Decal Logo Grille
3	532175962	Decal Hood LH	15	532159737	Decal Brake/Clutch
4	532175963	Decal Hood RH	16	532171313	Decal Fender Automatic
5	<b>532176398</b>	Decal Engine	17	532106202	Reflector Tail Light Red Amber
6	532137588	Decal Chas. Turbo Collection	19	532160396	Decal V-Belt Sch
7	532140837	Decal Saddle Brake Parking	--	532169210	Decal By-Pass
8	532140987	Decal Fender Partner	--	532162598	Decal Drawbar Load Limit
9	532145498	Decal Read Owners Manual Syms	--	532138311	Decal Lift Handle (Lift Handle)
10	532159736	Decal Chassis Hot Muffler	--	532171237	Pad Footrest Sq Generic Black
11	532145494	Decal Mower Cut finger Symbol	--	532176880	Manual Operator's Euro
12	532126187	Decal 100 Db	--	532176881	Manual Operator's Scan

## WHEELS & TIRES

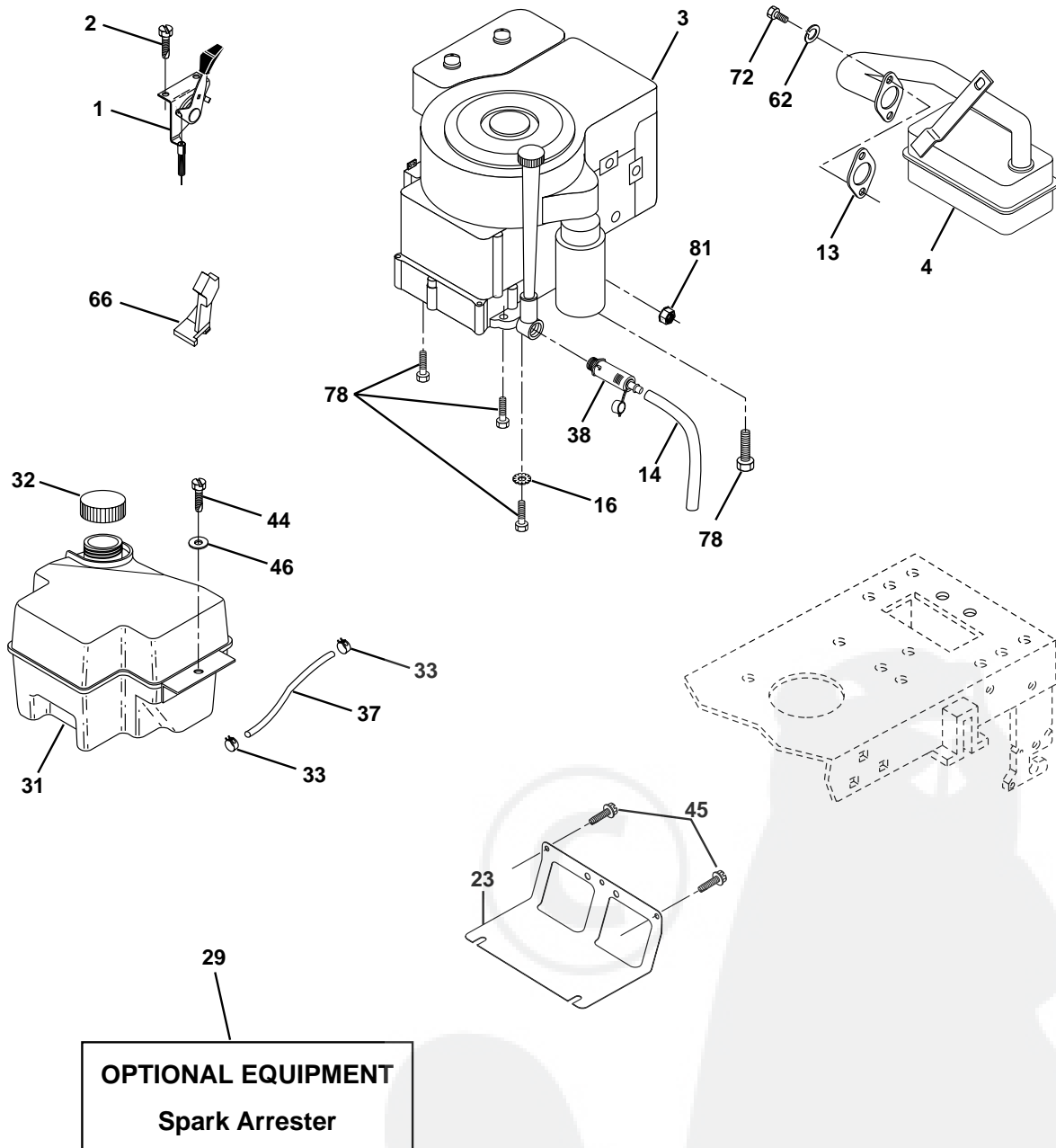


KEY NO.	PART NO.	DESCRIPTION
1	532059192	Cap Valve Tire
2	532065139	Stem Valve
3	532106222	Tire F Ts 15 X 6 0 - 6 Service
4	532059904	Tube Front (Service Item Only)
5	532125121	Rim Asm 6" front Yellow Service
6	532124957	Fitting Grease (Front Wheel Only)
7	532124959	Bearing Flange (Front Wheel Only)
8	532125122	Rim Asm 8" rear Yellow Service
9	532122082	Tire R Ts 20 x 10-8 C. Service
10	532124926	Tube Rear (Service Item Only)
11	532104757	Cap Axle Blk 1 50 X 1 00

**NOTE:** All component dimensions given in U.S. inches  
1 inch = 25.4 mm

# REPAIR PARTS

TRACTOR- -MODEL NO. P155-107H (P155H42H), PRODUCT NO. 954 12 00-32  
ENGINE

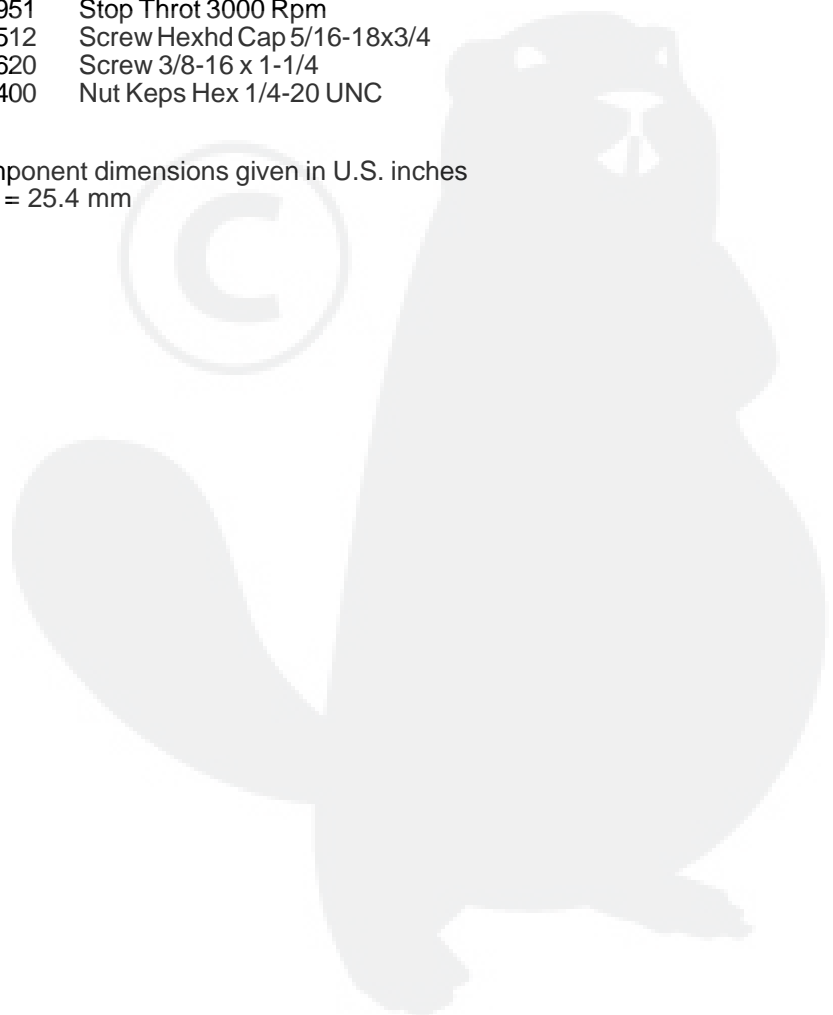


# REPAIR PARTS

TRACTOR- -MODEL NO. P155-107H (P155H42H), PRODUCT NO. 954 12 00-32  
ENGINE

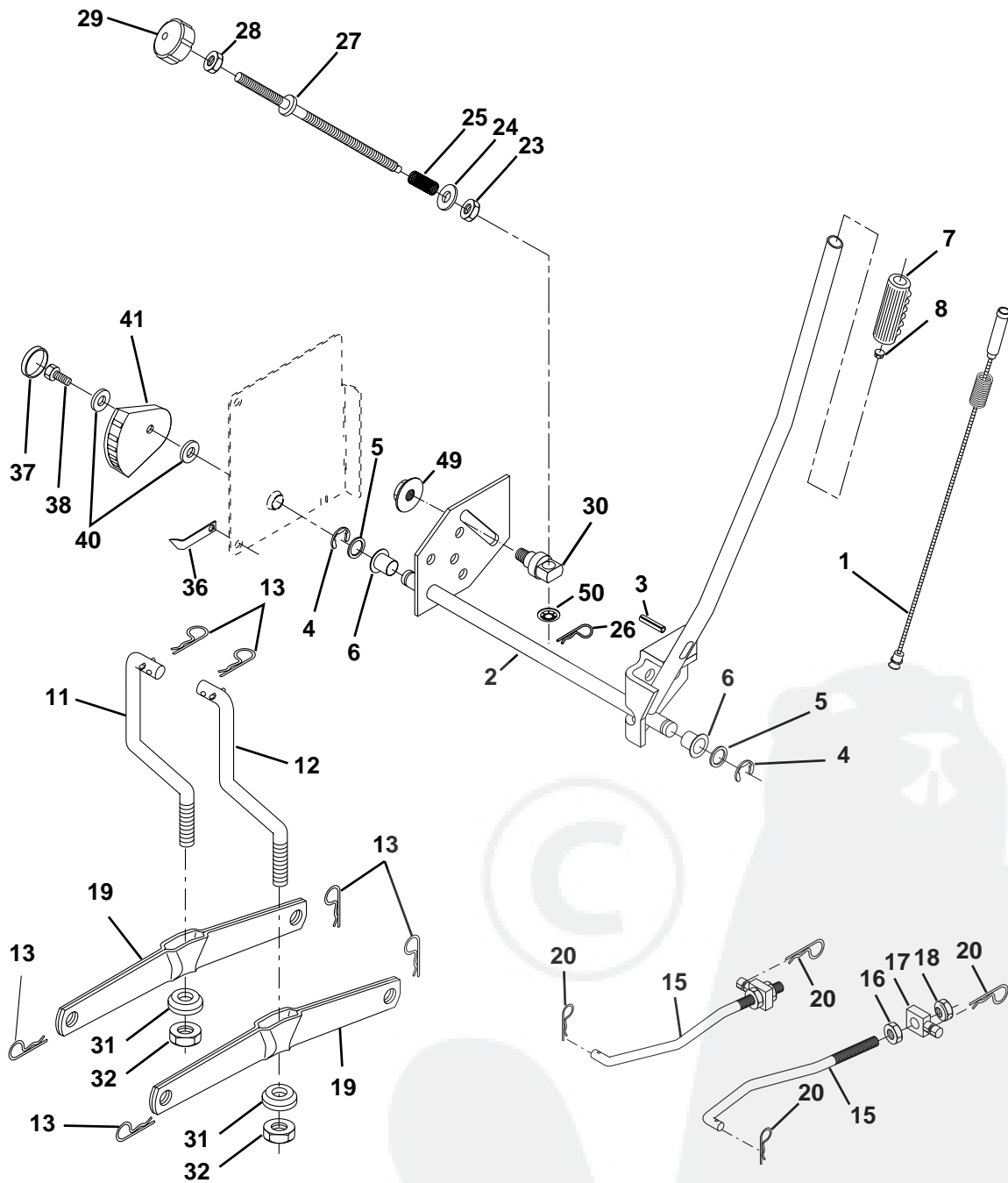
KEY NO.	PART NO.	DESCRIPTION
1	532170865	Control Th/ch Lh Flag Eec
2	817720410	Screw Hex Thd Cut 1/4-20 x 5/8 T
3	-----	Engine B&S Model No. 28U707 (Order parts from engine manufacturer)
4	532137352	Muffler LT B&S 12/12 5 HP
13	532165291	Gasket Eng
14	532148456	Tube Drain Oil Easy
16	811050600	Washer Lock Ext Tooth 3/8
23	532169837	Shield Brn/Dbr Guard
29	532137180	Kit Spark Arrecter
31	532174642	Tank Fuel Front 2.00
32	532140527	Cap Asm Fuel W/sym Vented
33	532123487	Clamp Hose Blk
37	532137040	Line Fuel 20"
38	532148315	Plug Drain Oil Easy
44	817670412	Screw Hexwsh Thdrol 1/4-20 x 3/4
45	817000612	Screw Hexwsh Thdrol 3/8-16 x 3/4
46	819091416	Washer 9/32 x 7/8 x 16 Ga.
62	810040500	Washer Lock Hvy Hlcl Spr 5/16
66	532127951	Stop Throt 3000 Rpm
72	871070512	Screw Hexhd Cap 5/16-18x3/4
78	817060620	Screw 3/8-16 x 1-1/4
81	873510400	Nut Keps Hex 1/4-20 UNC

**NOTE:** All component dimensions given in U.S. inches  
1 inch = 25.4 mm



# REPAIR PARTS

TRACTOR- -MODEL NO. P155-107H (P155H42H), PRODUCT NO. 954 12 00-32  
MOWER LIFT



# REPAIR PARTS

TRACTOR- -MODEL NO. P155-107H (P155H42H), PRODUCT NO. 954 12 00-32  
MOWER LIFT

KEY NO.	PART NO.	DESCRIPTION
1	532159460	Wire Asm Inner W/plunger 17 32
2	532159471	Shaft Asm Lift LH Inf Hgt P/L
3	532105767	Pin Groove 1 500 Zinc
4	812000002	E Ring #5133-62
5	819211621	Washer 21/32 X 1 X 21 Ga
6	532120183	Bearing Nylon Blk 629 Id
7	532109413	Grip Handle
8	532124526	Button Plunger Black
11	532139865	Link Lift LH
12	532139866	Link Lift RH
13	532124670	Retainer Spring
15	532173288	Link Front
16	873350800	Nut Jam Hex 1/2-13 Unc
17	532130171	Trunnion Blk Zinc
18	873800800	Nut Lock W/wsh 1/2-13unc
19	532139868	Arm Suspension Rear
20	532163552	Retainer Spring
23	532110807	Nut Special
24	819131016	Washer 13/32 X 5/8 X 16 Ga
25	532124874	Spring 2-1/8"
26	532169484	Retainer Clip
27	532126971	Rod Adj Lift Zinc 7 49 Wrk Lg
28	873350600	Nut Hex Jam 3/8-16 Unc
29	532138057	Knob Inf 3/8-16 Unc Blk W/sym
30	532150233	Trunnion Inf Height
31	532169865	Bearing pvt. Lift Tapered
32	873540600	Nut Crownlock 3/8-24
36	532155097	Pointer pnt Height Ind.
37	532123935	Plug hole Blk 1.485/1.515 Dia
38	817060516	Screw 5/16-18 x 1 Smgml Tap/R
40	819112410	Washer 11/32 x 1-1/2 10 Ga
41	532155098	Indicator Height
49	532145212	Nut Hex Flange Lock
50	532110452	Push Nut

**NOTE:** All component dimensions given in U.S. inches  
1 inch = 25.4 mm







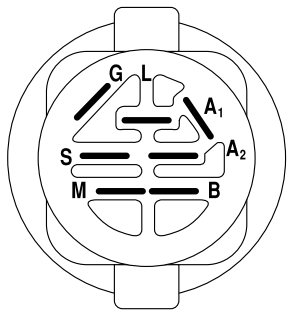
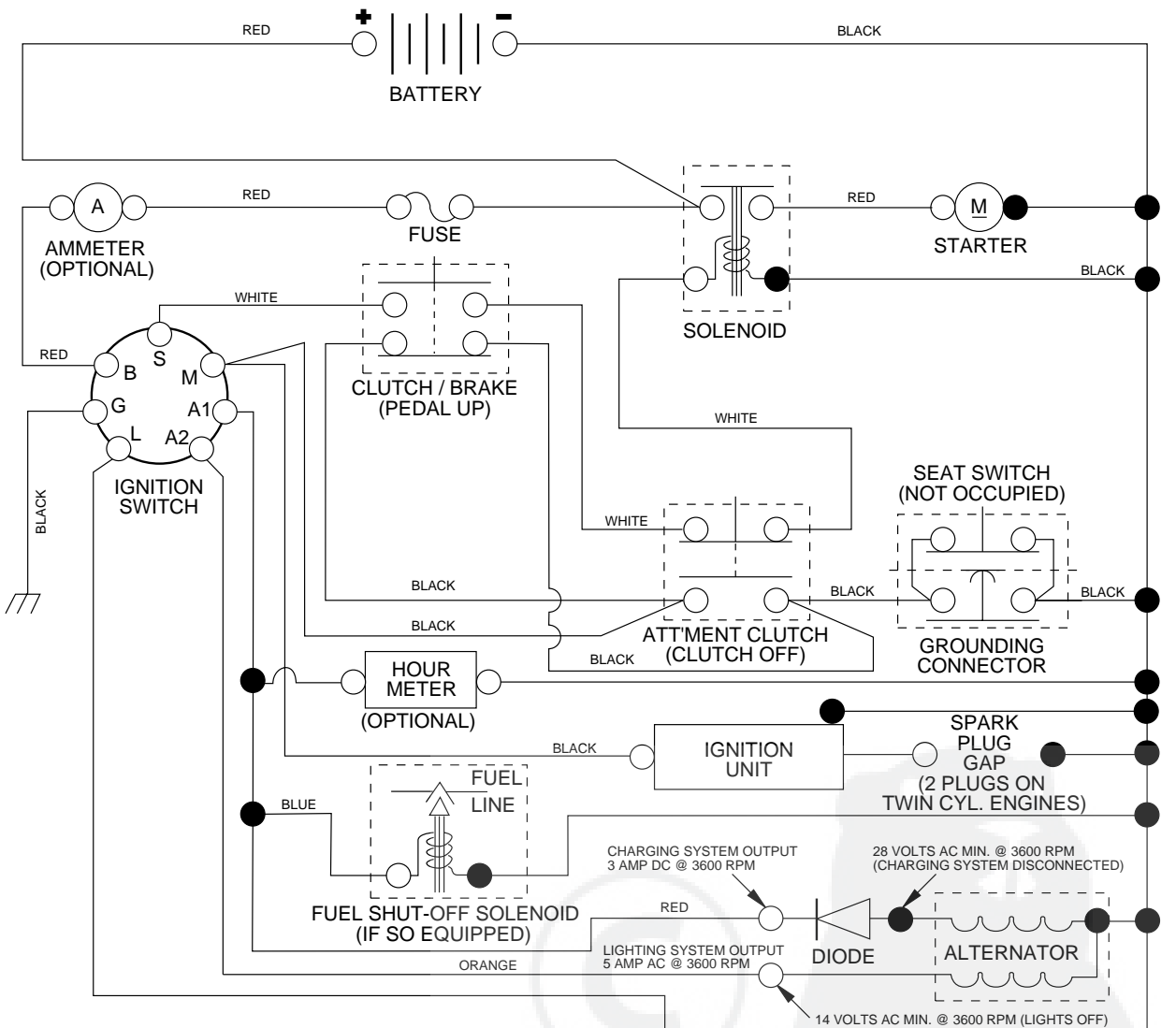
# REPAIR PARTS

TRACTOR- -MODEL NO. P155-107H (P155H42H), PRODUCT NO. 954 12 00-32  
MOWER

KEY NO.	PART NO.	DESCRIPTION	KEY NO.	PART NO.	DESCRIPTION
1	532165892	Deck Asm MWR 42"weldment	59	532141043	Guard TUV Idler
2	872140506	Bolt Rdhd Sqnk 5/16-18unc X3/4	67	532106932	Knob Rd 3/8-16 Plstc Thds Blk
3	532138017	Bracket Asm Fr Sway Bar 38/42	68	532144959	V-Belt Secondary
4	532165460	Bracket Asm Deck 42"sway Bar	90	<b>817490612</b>	Screw 3/8-16 x 3/4
5	532124670	Retainer Spring	91	<b>532175746</b>	Bracket Asm Noseroller LH
6	532130832	Arm Suspension Rear	93	819171416	Washer 17/32 x 7/8 x 16 Ga.
8	532850857	Bolt 3/8 - 24 X 1.25 Gr 8	94	532132264	Roller Nose 38 & 42
9	810030600	Washer Lock Hvy 3/8	95	<b>532175747</b>	Bracket Asm Noseroller RH
10	532140296	Washer Hard Blade Mower Vented	111	532155197	Bracket Wheel Gauge LH 42" Deck
11	532138498	Blade Mower	112	532155198	Bracket Gauge Wheel RH 42" Deck
13	532137645	Shaft Asm W/lower Bearing	113	817060514	Screw 5/16-18 x 3/4
14	532128774	Housing Mandrel Vented	114	873510500	Nut Keps 5/16-18 UNC
15	532110485	Bearing Ball Mandrel	115	872110504	Bolt Carriage 5/16-UNC x 1/2
16	<b>532174493</b>	Stripper Mower	116	532124842	Bolt Shoulder
18	872140505	Bolt Rdhd Sqnk 5/16-18 X 5/8	117	532105455	Wheel Gauge Blk
19	532132827	Bolt Shoulder	118	873930600	Nut Centerlock 3/8-16 UNC
20	532159770	Baffle Vortex 42	119	819121414	Washer 3/8 x 7/8 x 14 Ga.
21	873680500	Nut Crownlock 5/16-18 UNC	120	819171512	Washer 17/32 x 15/16 x 12 Ga
22	532134753	Stiffener Bracket 42"deck	121	532143723	Bracket Extruded Gauge Wheel
23	532131267	Bracket Deflector Mower 42"	142	532165890	Arm Spring Brake Mower
24	532105304	Cap Sleeve 80x 112 Blk Mower	143	532157109	Bracket arm Idler 42"
25	532123713	Spring Torsion Deflector 2 52	144	532158634	Keeper Belt 42" Clutch Cable
26	532110452	Nut Push Phos & Oil	145	532165888	Pulley Idler Flat
27	532171859	Shield Deflector Mower 42" Blk	146	532171977	Bolt Carriage Idler
28	819111016	Washer 11/32 X 5/8 X 16 Ga	147	532131335	Spring Extension
29	532131491	Rod Hinge 42"6 75 Wlg	148	532169022	Spring Return Idler
30	532157722	Screw Thdrol Washer Head	149	532165898	Retainer Spring Yellow
31	532129963	Washer Spacer Mower Vented	150	819091216	Washer 9/32 x 3/4 x 16 Ga.
32	532153535	Pulley Mandrel 42/44/50	151	532169670	Bracket Clutch Cable
33	532137266	Nut 9/16 Toplock Fing Oil Dip	152	532169676	Cable Clutch 42"
34	872110614	Bolt Rdhd 3/8-16uncx1-3/4 Gr5	153	532169674	Washer Flat 3/8" Type B
36	532131494	Pulley Idler Flat 3 060	154	532169675	Spring Retainer
37	819131316	Washer 13/32 X 13/16 X 16	155	532169671	Spring Retention Cltch Cab
40	873680600	Nut Crownlock 3/8-16 UNC	156	532169672	Spacer Clutch Cable
44	532140088	Guard Mandrel LH Black	157	532169669	Rod Clutch Cable 3/8"
45	532124788	Spring Retainer 1" Zinc/cad	158	817720410	Screw Hex Thd Cut 1/4-20 x 5/8
46	532137729	Screw Hex Thd Cut 1/4-20x5/8 T	159	872140614	Bolt Rdhd Sqn 3/8-16 UNC x 1-3/4
48	532133944	Washer Hardened Smaller	--	532130794	Mandrel Asm Service (Includes Key Nos. 8-10, 12-15, 31 and 33)
49	532174284	Roller Asm Cam Follower 42"dec	--	532171491	Deck Serv 42"mch S Bar Multi-Lang (Standard Deck - Order noseroller, mulch cover and gauge wheel components separately)
50	532131340	Bolt Shldr 10-24 Zinc Gr 5 42"			
51	532069180	Nut Lock #10-24 Unc			
52	532139888	Bolt Shoulder 5/16-18 Unc Blkz			
53	532131845	Arm Asm Pad Brake			
54	532133943	Washer Hardened			
55	532155046	Arm Idler 42"mower LT/YT			
56	532165723	Spacer Retainer Mower			

**NOTE:** All component dimensions given in U.S. inches  
1 inch = 25.4 mm

# TRACTOR- -MODEL NO. P155-107H (P155H42H), PRODUCT NO. 954 12 00-32 SCHEMATIC



**IGNITION SWITCH**

POSITION	CIRCUIT	"MAKE"
OFF	M+G+A1	NONE
RUN/LIGHT	B+A1	A2+L
RUN	B+A1	NONE
START	B + S + A1	NONE

**NOTE**  
YOUR TRACTOR IS EQUIPPED WITH A SPECIAL ALTERNATOR SYSTEM. THE LIGHTS ARE NOT CONNECTED TO THE BATTERY, BUT HAVE THEIR OWN ELECTRICAL SOURCE. BECAUSE OF THIS, THE BRIGHTNESS OF THE LIGHTS WILL CHANGE WITH ENGINE SPEED. AT IDLE THE LIGHTS WILL DIM. AS THE ENGINE IS SPEEDED UP, THE LIGHTS WILL BECOME THEIR BRIGHTEST.

### WIRING INSULATED CLIPS

**NOTE:** IF WIRING INSULATED CLIPS WERE REMOVED FOR SERVICING OF UNIT, THEY SHOULD BE REPLACED TO PROPERLY SECURE YOUR WIRING.

NON-REMOVABLE CONNECTIONS

REMOVABLE CONNECTIONS