



REPAIR PARTS MANUAL
MODEL NO. RE145H42F
Lawn Tractor

Rally

HOW TO USE THIS MANUAL

This manual is designed to provide the customer with a means to identify the parts on his/her tractor when ordering repair parts. The illustrations may or may not represent the actual assemblies; therefore, it is not recommended to use this manual as a guide to assemble or disassemble the tractor. Some hardware and parts are drawn larger in order to more readily identify them.

Each tractor has its own model number.

The model number for your tractor can be found on the fender under the seat.

When ordering parts, always give the following information:

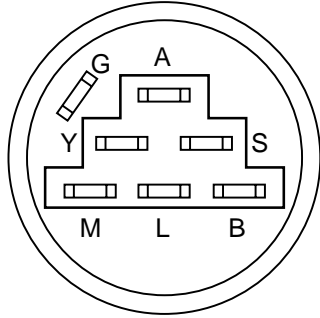
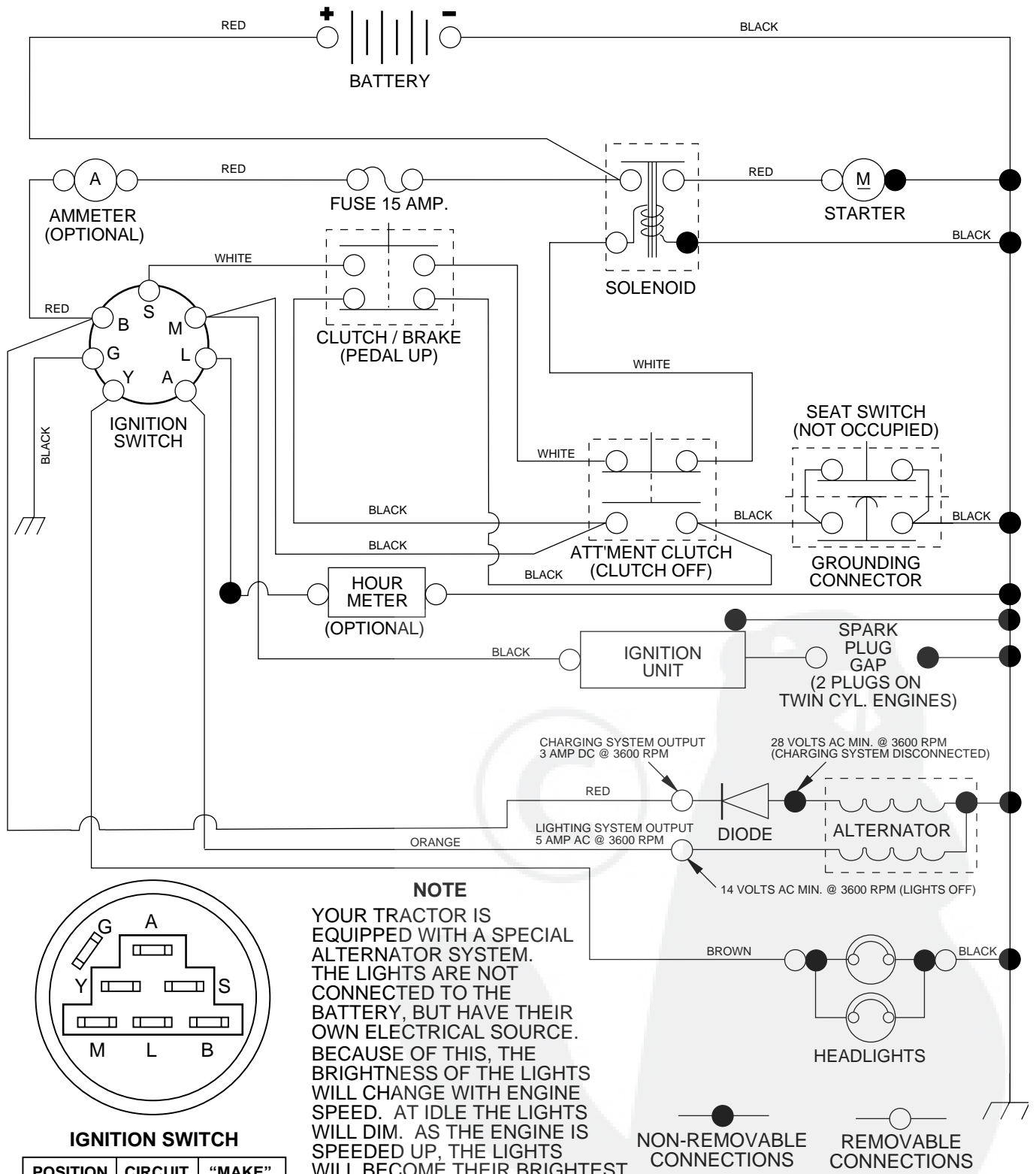
- Product - "Tractor"
- Model Number - "RE145H42F"
- Part Number
- Part Description

TABLE OF CONTENTS

SCHEMATIC	3
ELECTRICAL	4-5
CHASSIS	6-7
DRIVE	8-9
SEAT	10
DECALS	11
STEERING WHEEL	12-13
ENGINE	14-15
MOWER LIFT LEVER	16-17
MOWER DECK	18-19
WARRANTY	20

TRACTOR - - MODEL NUMBER RE145H42F

SCHEMATIC



IGNITION SWITCH

POSITION	CIRCUIT	"MAKE"
OFF	G + M + L	NONE
RUN/LIGHT	B + L	A + Y
RUN	B + L	NONE
START	B + L + S	NONE

NOTE

YOUR TRACTOR IS EQUIPPED WITH A SPECIAL ALTERNATOR SYSTEM. THE LIGHTS ARE NOT CONNECTED TO THE BATTERY, BUT HAVE THEIR OWN ELECTRICAL SOURCE. BECAUSE OF THIS, THE BRIGHTNESS OF THE LIGHTS WILL CHANGE WITH ENGINE SPEED. AT IDLE THE LIGHTS WILL DIM. AS THE ENGINE IS SPEEDED UP, THE LIGHTS WILL BECOME THEIR BRIGHTEST.

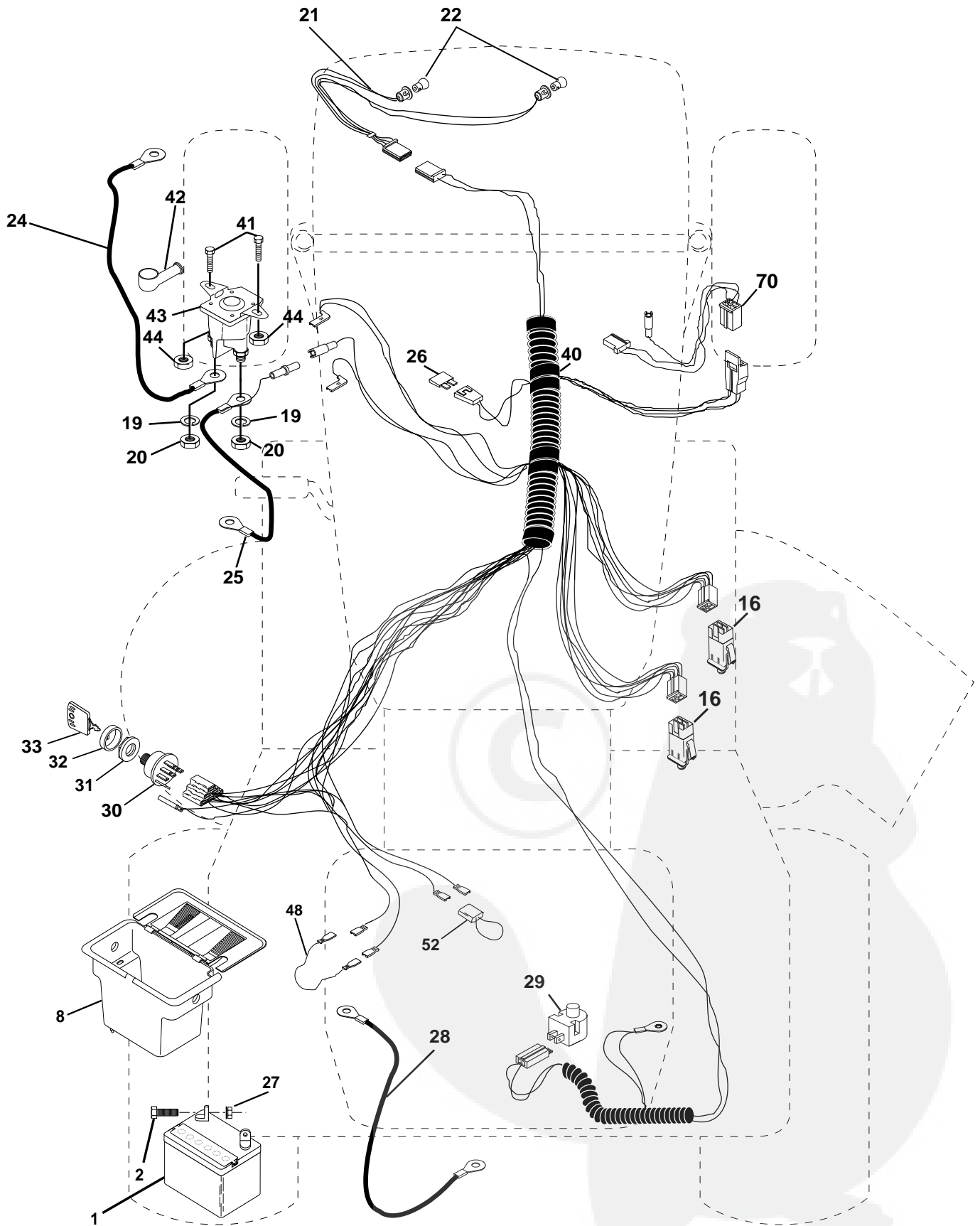
WIRING INSULATED CLIPS

NOTE: IF WIRING INSULATED CLIPS WERE REMOVED FOR SERVICING OF UNIT, THEY SHOULD BE REPLACED TO PROPERLY SECURE YOUR WIRING.

REPAIR PARTS

TRACTOR - - MODEL NUMBER RE145H42F

ELECTRICAL



REPAIR PARTS

TRACTOR - - MODEL NUMBER RE145H42F

ELECTRICAL

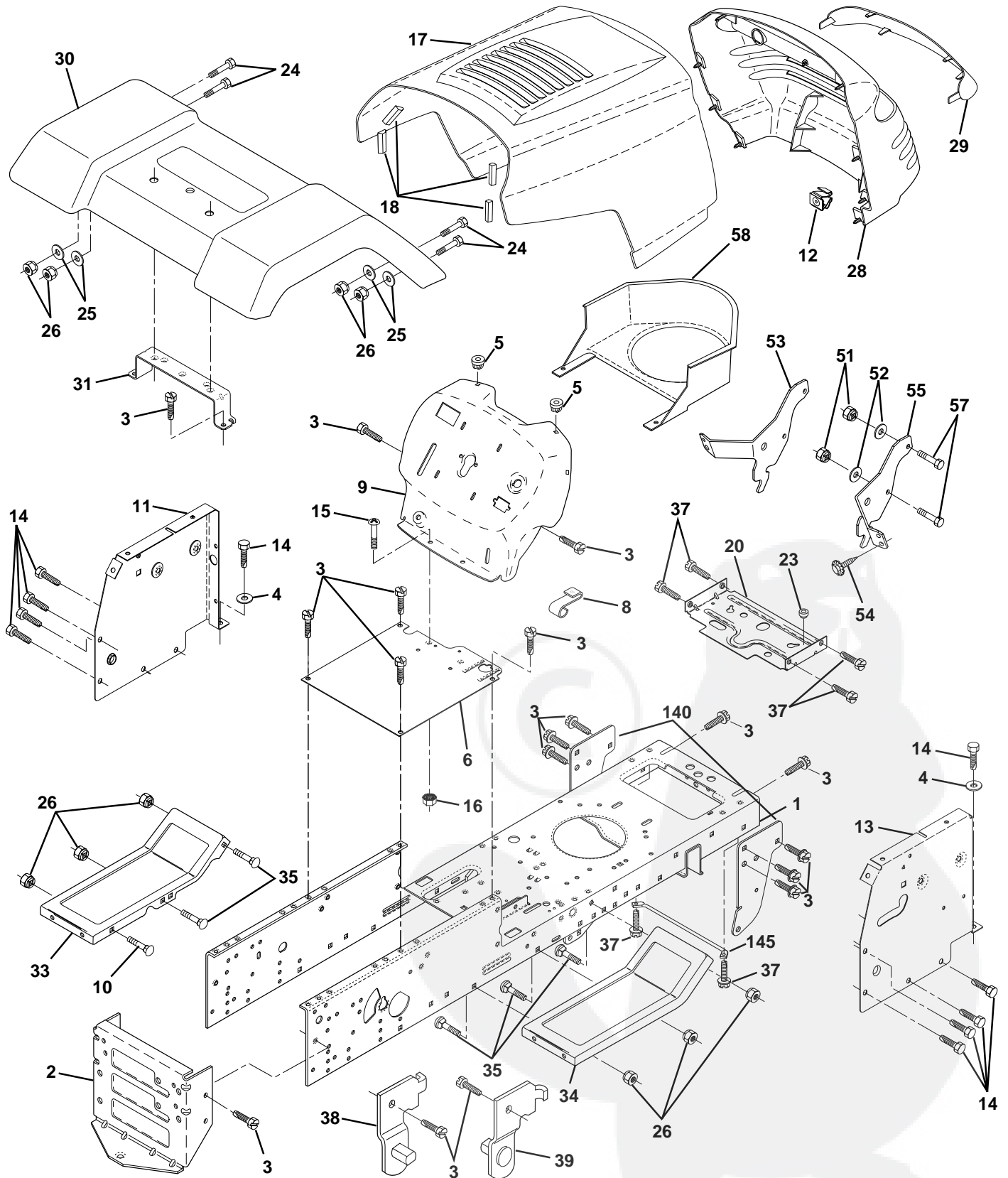
KEY NO.	PART NO.	DESCRIPTION
1	144925	Battery 12 Volt 25 AMP
2	74760412	Bolt Hex Hd 1/4-20unc X 3/4
8	156417	Case Battery
16	153664	Switch Interlock Push-In
19	10090400	Washer Lock 1/4
20	73350400	Nut Jam Hex 1/4-20 Unc
21	166181	Harness Asm Light W/4152j
22	4152J	Bulb Light #1156
24	4799J	Cable Battery 6 Ga 11" red
25	146147	Cable Battery 6 Ga 44" red
26	166180	Fuse 15 AMMP
27	73510400	Nut Keps Hex 1/4-20 Unc
28	4207J	Cable Ground 6 Ga 12" black
29	121305X	Switch Plunger Nc Gray
30	140301	Switch Ign 4 pos w/lights
31	124211X	Nut Ignition
32	141226	Cover Sw Ignition
33	122147X	Key Ign Modleded Generic
40	166145	Harness Ignition LT PL Mech
41	71110408	Bolt Blk Fin Hex 1/4 - 20 x 1/2
42	131563	Cover Terminal Red
43	145673	Solenoid
44	73640400	Nut Keps Hex 1/4-20 Unc
48	140844	Adapter Ammeter
52	141940	Protection Wire Loop
70	166658	Harness, Eng.

NOTE: All component dimensions give in U.S. inches
1 inch = 25.4 mm.

REPAIR PARTS

TRACTOR - - MODEL NUMBER RE145H42F

CHASSIS AND ENCLOSURES



REPAIR PARTS

TRACTOR - - MODEL NUMBER RE145H42F

CHASSIS AND ENCLOSURES

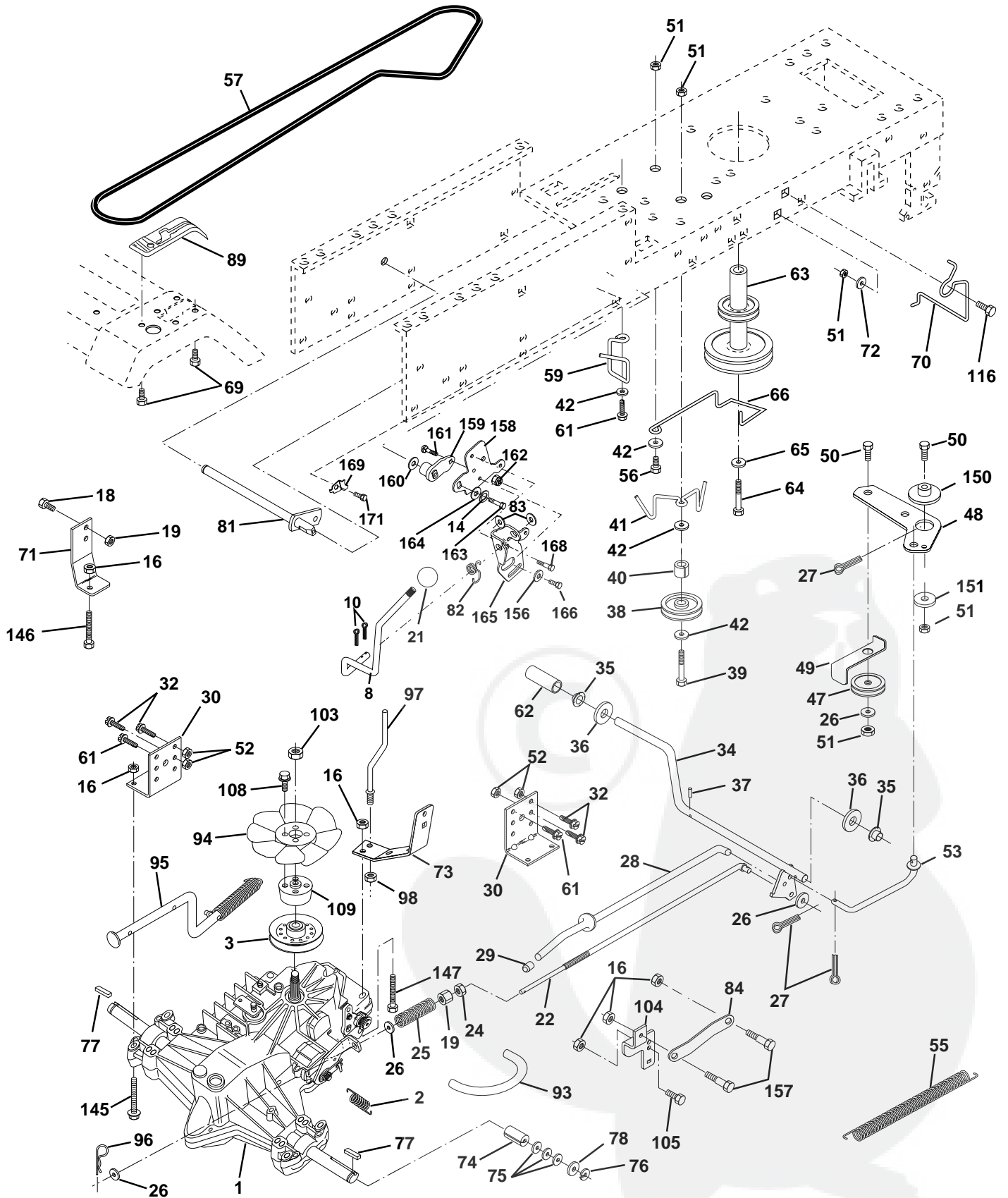
KEY NO.	PART NO.	DESCRIPTION
1	165480	Chassis Weldment
2	140356	Drawbar, Stretch 94
3	17060612	Screw 3/8-16 x 3/4
4	19131216	Washer 13/32 x 3/4 x 16 Gauge
5	155272	Bumper Hood/Dash
6	155923	Saddle LT Fender Shift
8	155138	Clip Retainer Slide-On
9	161937X011	Dash P/L
10	72140608	Bolt, Rdhd Sqnk 3/8-16 x 1
11	155927	Panel Asm. Dash LH
12	145660	Clip Tinnerman Grille P/L
13	169117X010	Dash, Panel RH
14	17490608	Screw Thdrol 3/8-16 x 1/2 Ty-tt
15	74180512	Screw Mach. Trhd 5/16-18 UNC x 3/4
16	73510500	Nut Keps 5/16-18 UNC
17	159639X505	Hood Pnt Stl PL
18	126938X	Bumper Hood
20	156437	Plate Mtg. Battery Fuel Tank
23	124028X	Bushing Snap Nyl Blk Fuel Line
24	74780616	Bolt, Hex , Fin. 3/8-16UNC x 1 Gr. 5
25	19131312	Washer 13/32 x 13/16 x12 Gauge
26	73800600	Nut Lock Hex w/Ins. 3/8-16 Unc
28	157373	Grille
29	140273X599	Lens Grille
30	166886X505	Fender Pnt
31	136619	Bracket Fender
33	105476X505	Footrest Pnt., LH
34	105475X505	Footrest Pnt., RH
35	72110606	Bolt Rdhd Sht. Sqnk 3/8-16 X 3/4
37	17490508	Screw Thdrol 5/16-18 x 1/2 Tyt
38	139886	Bracket Asm. Pvt. LH Mower Rear
39	139887	Bracket Asm. Pvt. RH Mower Rear
51	73800400	Nut Lock Hex W/Ins 1/4-20
52	19091416	Washer 9/32 x 7/8 x 16 Ga.
53	144697	Bracket, Grille LH
54	161464	Screw Hex Wshd 8-18 x 7/8
55	144696	Bracket Grille RH
57	74780412	Bolt Fin Hex 1/4-20 x 3/4
58	140547	Air Duct Engine P/L
140	158418	Bracket Suspension Front
145	156524	Rod Pivot Chassis/Hood
--	5479J	Plug Btn Blk .359 Dia Ch/Inf

NOTE: All component dimensions given in U.S. inches
1 inch = 25.4 mm

REPAIR PARTS

TRACTOR - - MODEL NUMBER RE145H42F

DRIVE



REPAIR PARTS

TRACTOR - - MODEL NUMBER RE145H42F

DRIVE

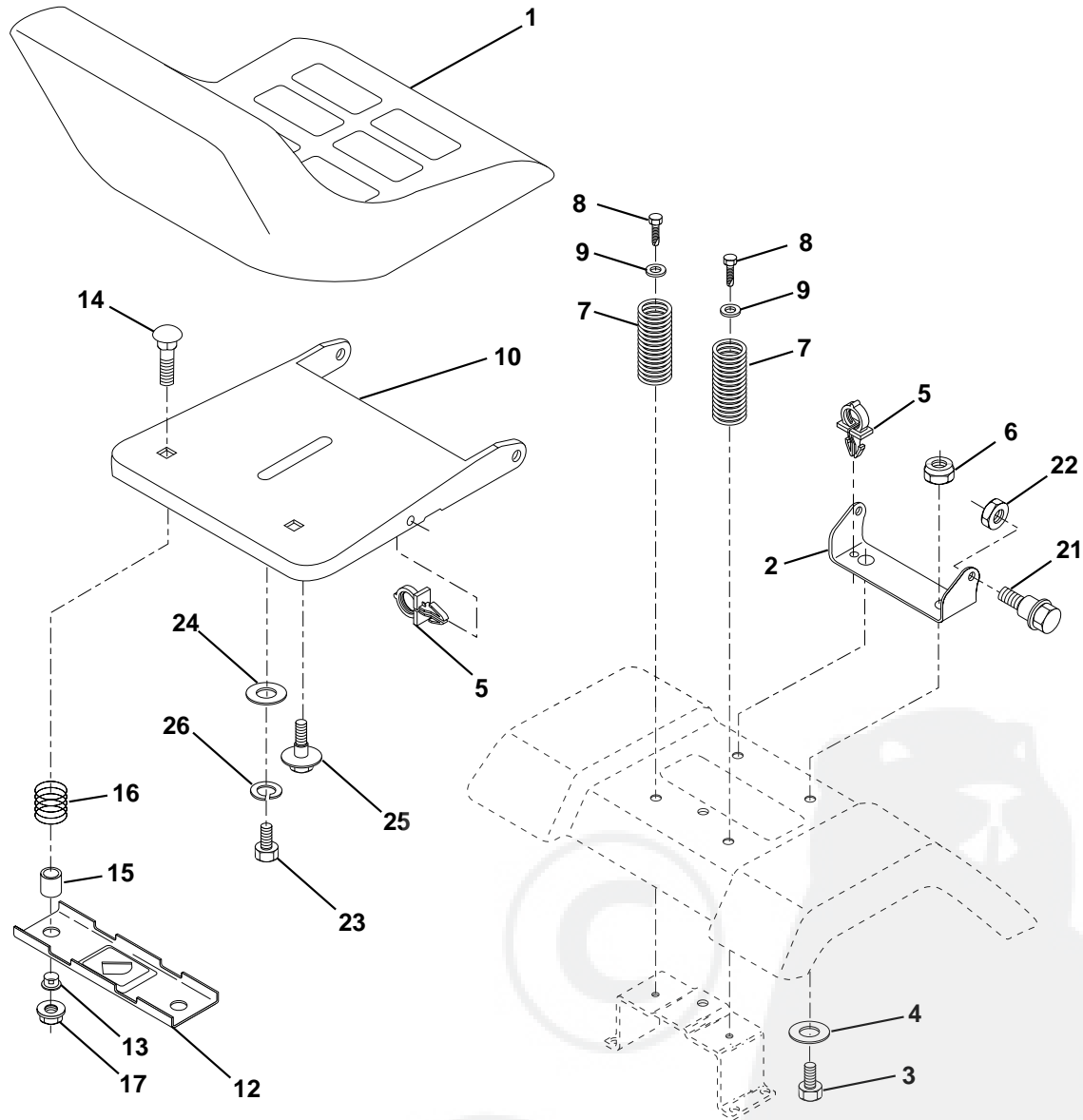
KEY NO.	PART NO.	DESCRIPTION	KEY NO.	PART NO.	DESCRIPTION
1	-----	Transaxle, Hydro Model 0319-0500 (Order parts from transaxle manufacturer)	70	134683	Guide, Belt, Mower Drive RH
2	142431	Spring, Return, Brake	71	141417	Strap, Torque, Lh
3	144698	Pulley, Transmission	72	19132012	Washer 13/32 x 1-1/4 x 12 Ga.
8	165619	Rod Shift Fender Adjust LT	73	141418	Strap, Torque, Rh
10	76020416	Pin, Cotter 1/8 x 1	74	121199X	Spacer, Split
14	10040400	Washer Lock Hvy Helical	75	121749X	Washer 25/32 x 1-1/4 x 16 Ga.
16	73800500	Nut, Lock Hex w/Ins 5/16-18 UNC	76	12000001	Ring, E
18	74780616	Bolt Hex 3/8-16 UNC x 1 Gr.5	77	123583X	Key, Square
19	73800600	Nut, Lock Hex w/Wsh 3/8-16 UNC	78	121748X	Washer 25/32 x 1-5/8 x 16 Ga.
21	106933X	Knob Rd. 1/2-13 Plstc. Thds. Blk.	81	165595	Shaft Asm Cross Tapered
22	145627	Rod, Brake	82	123782X	Spring, Torsion
24	73350600	Nut	83	19171216	Washer 17/32 x 3/4 x 16 Ga.
25	106888X	Spring, Rod, Brake	84	165816	Link Transaxle
26	19131316	Washer 13/32 x 13/16 x 16 Ga.	89	164893X428	Console, Shift
27	76020412	Pin, Cotter 1/8 x 3/4	93	142564	Line Fuel
28	145204	Rod, Parking Brake	94	140462	Fan 7"
29	71673	Cap, Parking Brake	95	167696	Control Asm Bypass Hydro
30	130807	Bracket, Transmission	96	4497H	Spring, Retainer 1"
32	74760512	Bolt Hex 5/16-18 UNC x 3/4	97	144201	Keeper, Belt Rh
34	155071	Shaft, Foot Pedal	98	73510600	Nut Keps 3/8-16 UNC
35	120183X	Bearing, Nylon	103	73940800	Nut, Hex Jam Toplock 1/2-20 UNF
36	19211616	Washer	104	141421	Arm, Control Pump 500 Hydro
37	1572H	Pin, Roll	105	71070516	Bolt, Head Hex 5/16 x 18 x 1
38	131494	Pulley, Idler, Flat	108	17541026	Screw Hex Wh Hd #10-24 x 1-5/8
39	74760644	Bolt	109	145098	Adaptor Fan Hydro Lt Hyd Alum
40	4470J	Spacer, Split	116	72110610	Bolt Rdhd Sq Neck 3/8-16 x 1-1/4
41	165838	Keeper, Belt, Idler	145	74490540	Bolt Hex Flghd 5/16-18 x Gr. 5
42	19131312	Washer 13/32 x 13/16 x 12 Ga.	146	74490536	Bolt Hex Flghd 5/16-18 x 2-1/4
47	127783	Pulley, Idler, V-Belt	147	74490524	Bolt Hex Flghd 5/16-18 x 1-1/2
48	154407	Bellcrank Clutch Grnd Drustl	150	165850	Bushing Bellcrank Grd Drive
49	123205X	Retainer, Belt	151	19133210	Washer 13/32 x 2 x 10
50	74760624	Bolt	156	166002	Washer Srrted 5/16 ID X 1 X .125
51	73680600	Nut	157	153236	Bolt Shoulder 5/16-18 Unc -2A
52	73680500	Nut Crownlock 5/16-28	158	165589	Bracket Shift Mount
53	105710X	Link, Clutch	159	165494	Hub Tapered Flange Shift LT
55	105709X	Spring, Return, Clutch	160	19292016	Washer 29/32 x 1-1/4 x 16 Ga.
56	74760620	Bolt, Hex 3/8-16 UNC x 1-1/4	161	72140406	Bolt Rdhd Sqnk 1/4-20 x 3/4 Gr. 5
57	141416	V-Belt, Drive	162	73680400	Nut Crownlock 1/4-20 Unc
59	140312	Keeper, Belt, Center	163	74780416	Bolt Hex Fin 1/4-20 Unc x 1 Gr. 5
61	17060612	Screw 3/8-16 x 3/4	164	19091010	Washer 5/8 x .281 x 10 Ga.
62	8883R	Cover, Pedal	165	165623	Bracket Pivot Lever
63	140186	Pulley, Engine	166	166880	Screw 5/16-18 x 5/8
64	164975	Bolt Hex 7/16-20 x 4 Gr. 5	168	165492	Bolt Shoulder 5/16-18 x .561
65	10040700	Washer	169	165581	Plate Fastening LT
66	154778	Keeper, Belt Engine F-Proof	171	17490608	Screw Thdrol 3/8-16 x 1/2 TY-TT
69	142432	Screw			

NOTE: All component dimensions given in U.S. inches
1 inch = 25.4 mm

REPAIR PARTS

TRACTOR - - MODEL NUMBER RE145H42F

SEAT



KEY NO.	PART NO.	DESCRIPTION
1	127427	Seat
2	140551	Bracket, Pivot, Seat
3	74760616	Bolt
4	19131610	Washer 13/32 x 1 x 10 Ga.
5	145006	Clip, Push-in
6	73800600	Nut
7	124181X	Spring, Seat
8	17060616	Screw 3/8-16 x 1-1/2
9	19131614	Washer 13/32 x 1 x 14 Ga.
10	155925	Pan, Seat
12	121246X	Bracket, Mounting, Switch, Seat
13	121248X	Bushing, Nylon

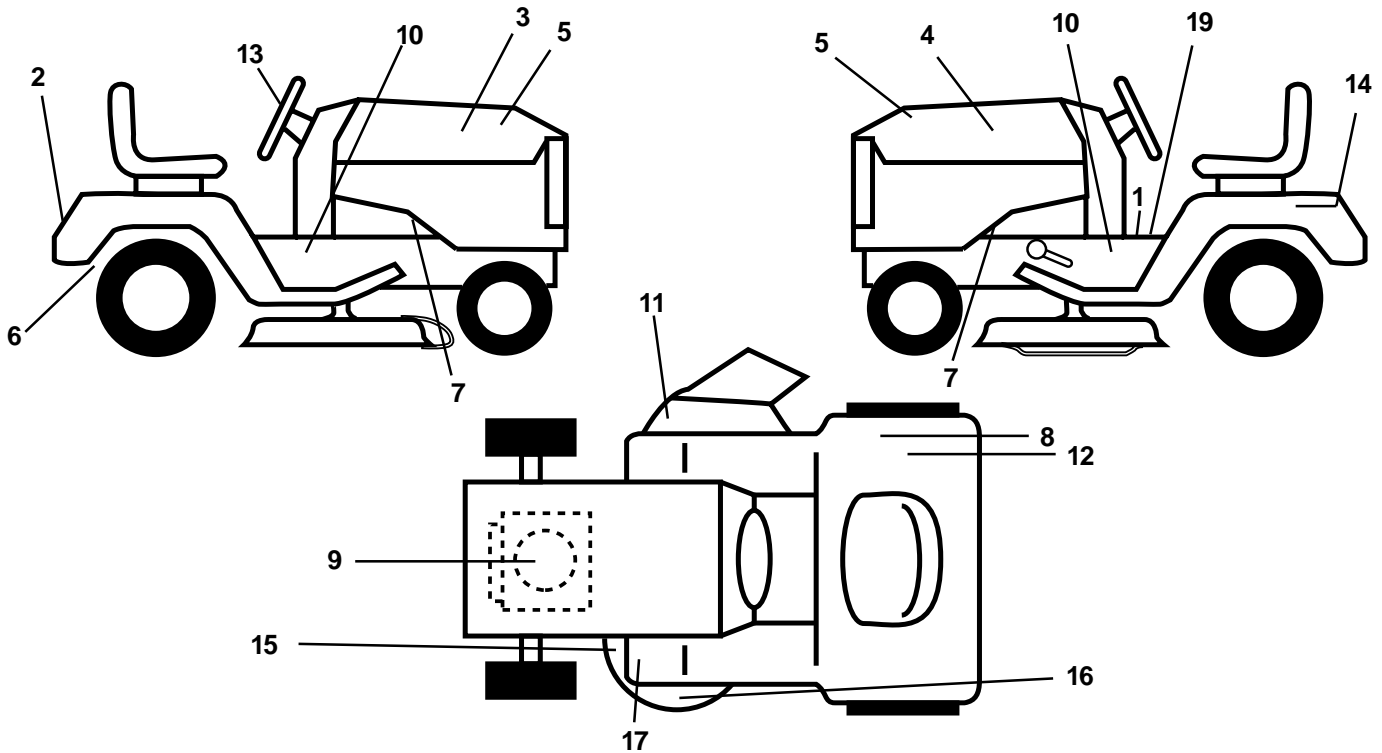
KEY NO.	PART NO.	DESCRIPTION
14	72050412	Nut, Crownlock 1/4-20 x 1-1/2
15	134300	Spacer, Split
16	121250X	Spring
17	123976X	Nut, Lock, Flange 1/4 Gr. 5
21	153236	Bolt, Shoulder 5/16-18 UNC
22	73800500	Nut
23	74780814	Bolt Fin Hex 1/2 - 13 x 7/8 Gr. 5
24	19171912	Washer 17/32 x 1-3/16 x 12 Ga.
25	127018X	Bolt Shoulder 5/16-18 x .62
26	10040800	Washer Lock Hvy Hclic Spr 1/2

NOTE: All component dimensions given in U.S. inches
1 inch = 25.4 mm

REPAIR PARTS

TRACTOR - - MODEL NUMBER RE145H42F

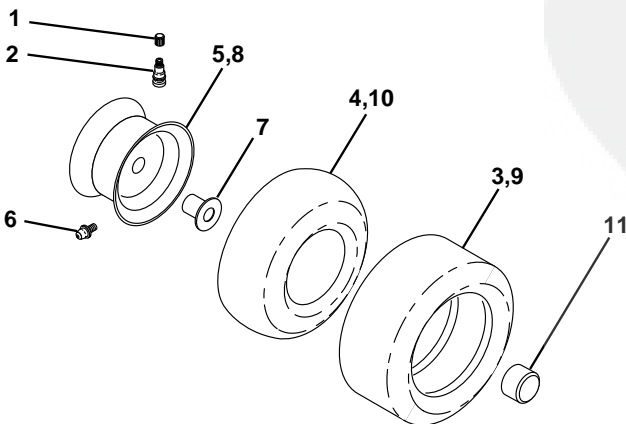
DECALS



KEY NO.	PART NO.	DESCRIPTION
1	145498	Decal, Instruction, Operation
2	132628	Decal, Fender Logo
3	153266	Decal, Hood Rh
4	153267	Decal, Hood Lh
5	146644	Decal, HP Hood
6	162598	Decal Drawbar Load Limit
7	159736	Decal Chassis Hot Muffler
8	145437	Decal, Europe Stand CE
9	169552	Decal, HP Engine
10	141801	Decal Chassis 42" Hydro
11	145494	Decal, Mower Cutfinger Symbol
12	126187X	Decal Certification

KEY NO.	PART NO.	DESCRIPTION
13	127075	Decal, Wheel Steering
14	145005	Decal, Btry Dngr/Psn P/L Sym
15	160396	Decal, V-Belt
16	135013	Decal, Enviro, Deck, Yellow
17	159737	Decal Brake Clutch Sym
19	140837	Decal, Parking Brake
--	138311	Decal, Handle, Lift, Height Adjust (Lift Handle)
--	169210	Decal, By Pass Lt Hydro
--	169625	Manual (Euro)
--	169626	Manual (Scan)
--	169627	Manual, Repair Parts

TIRES AND WHEELS



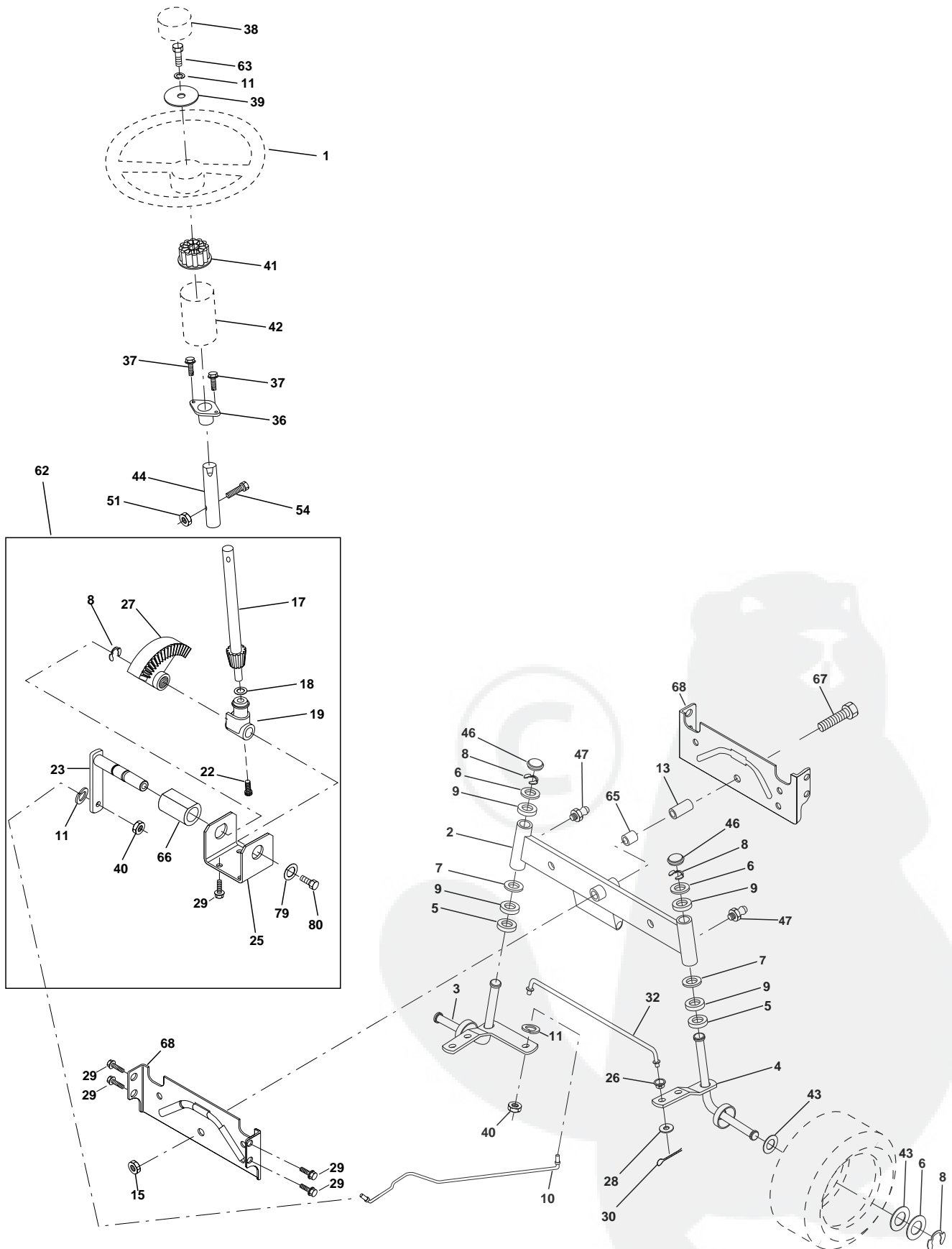
KEY NO.	PART NO.	DESCRIPTION
1	59192	Cap, Valve
2	65139	Stem, Valve
3	106222X	Tire Front
4	59904	Tube, Front (not furnished)
5	106732X427	Rim, Asm. Front
6	278H	Grease Fitting (rear tire only)
7	9040H	Bearing, Flange (front tire only)
8	106108X427	Rim, Asm. Rear
9	106268X	Tire, Rear TS. 18 x 9.5 - 9 C. Service
10	7152J	Tube, Rear (not furnished)
11	104757X	Cap, Axle
--	144334	Sealant, Tire (10 oz. Tube)

NOTE: All component dimensions given in U.S. inches
1 inch = 25.4 mm

REPAIR PARTS

TRACTOR - - MODEL NUMBER RE145H42F

STEERING WHEEL



REPAIR PARTS

TRACTOR - - MODEL NUMBER RE145H42F

STEERING WHEEL

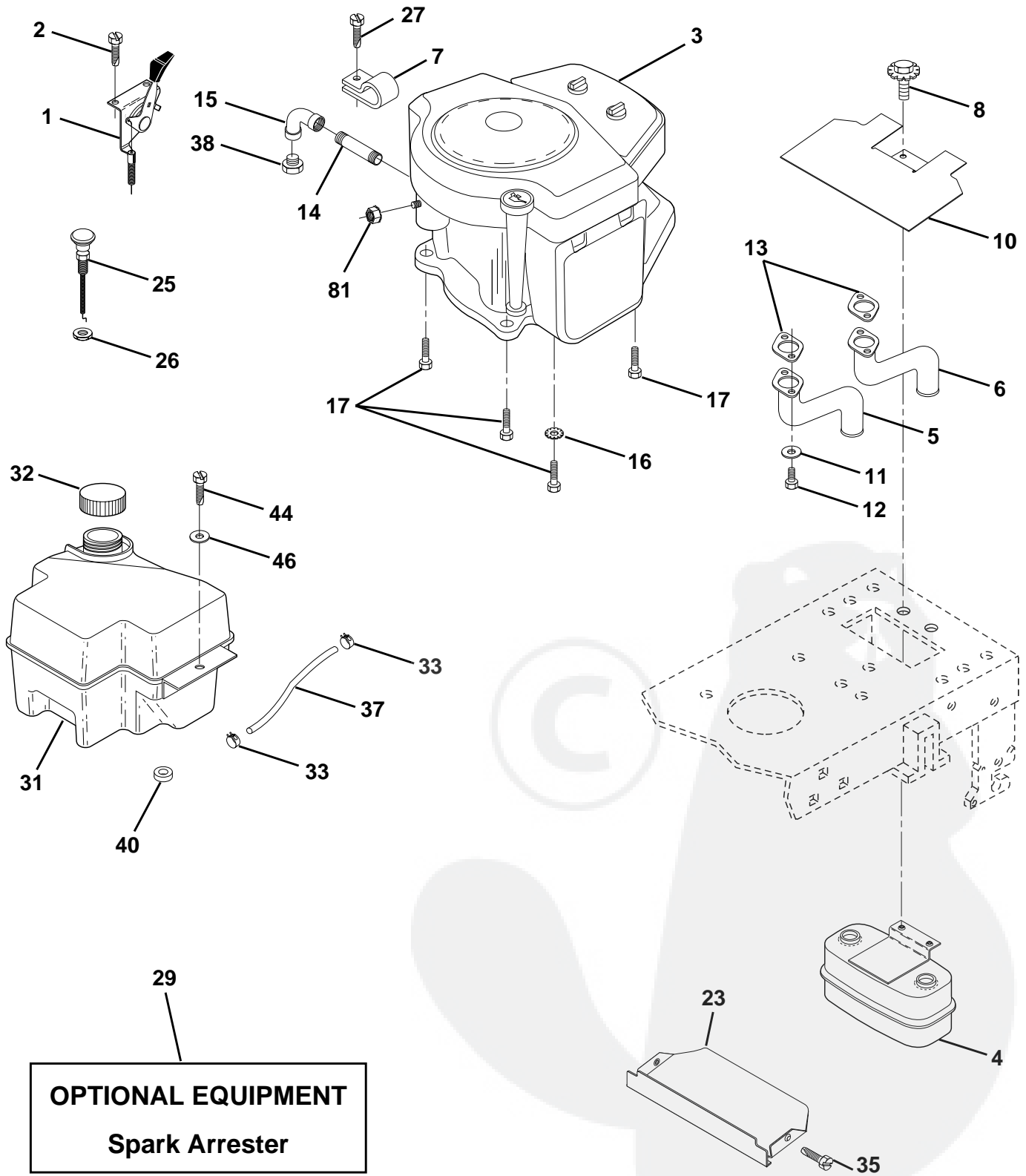
KEY NO.	PART NO.	DESCRIPTION
1	133741	Wheel Steering
2	154427	Axle Asm Front
3	156483	Spindle Asm LH
4	157473	Spindle Asm RH
5	6266H	Bearing, Race, Thrust Hardened
6	121748X	Washer 25/32 X 1-5/8 X 16 Ga
7	19272016	Washer 27/32 X 1-1/4 X 16 Ga
8	12000029	Ring Klip
9	3366R	Bearing
10	156438	Link Drag
11	10040600	Washer Lock Hvy Hlcl Spr 3/8
13	154779	Bearing Axle Stlt/Gt
15	73901000	Locknut, Hex, Jam, w/Washer Insert 5/8-11 Unc
17	156546	Steering, Assembly Shaft
18	57079	Washer Thrust 515x 750x 033
19	160395	Support Shaft
22	165857	Screw Hex WshHd Torx
23	165851	Shaft Asm Pittman
25	154406	Bracket Steering
26	126847X	Bushing Link Drag Blk Lr
27	136874	Gear Sector
28	19131416	Washer 13/32 x 7/8 x 16 Ga.
29	17060612	Screw 3/8-16x3/4
32	130465	Rod Connecting
36	155099	Bushing Steering
37	152927	Screw TT #10-32 X 5 x 3/8 Flange
38	133742	Cap Wheel Steering
39	19133812	Washer 13/32 x 2-3/8 x 12 Ga
40	7810H	Nut Lock Center 3/8-24 Unf
41	100711L	Adapter Wheel Strg
42	145054X428	Boot Shaft Steering
43	121749X	Washer 25/32 X 1 1/4 X 16 Ga
44	153720	Extension Steering
46	121232X	Cap Spindle
47	6855M	Fitting Grease
51	73800500	Nut Lock Hex W/Ins. 5/16-18 Unc P
54	74780520	Bolt Fin Hex 5/16-18 Unc 6 x 1-1/4
62	167902	Kit Steering Asm. Service
63	74780616	Bolt Fin Hex 3/8-16unc x 1 Gr. 5
65	154780	Spacer Axle
66	154404	Bearing Arm Pittman
67	74781044	Bolt Fin Hex 5/8-11 UNC x 2-3/4
68	154429	Brace Axle
79	19132012	Washer 13/32 x 1-1/4 x 12 Ga.
80	74950612	Bolt Hex Nylon 3/8-16 x 3/4

NOTE: All component dimensions given in U.S. inches
1 inch = 25.4 mm

REPAIR PARTS

TRACTOR - - MODEL NUMBER RE145H42F

ENGINE



REPAIR PARTS

TRACTOR - - MODEL NUMBER RE145H42F

ENGINE

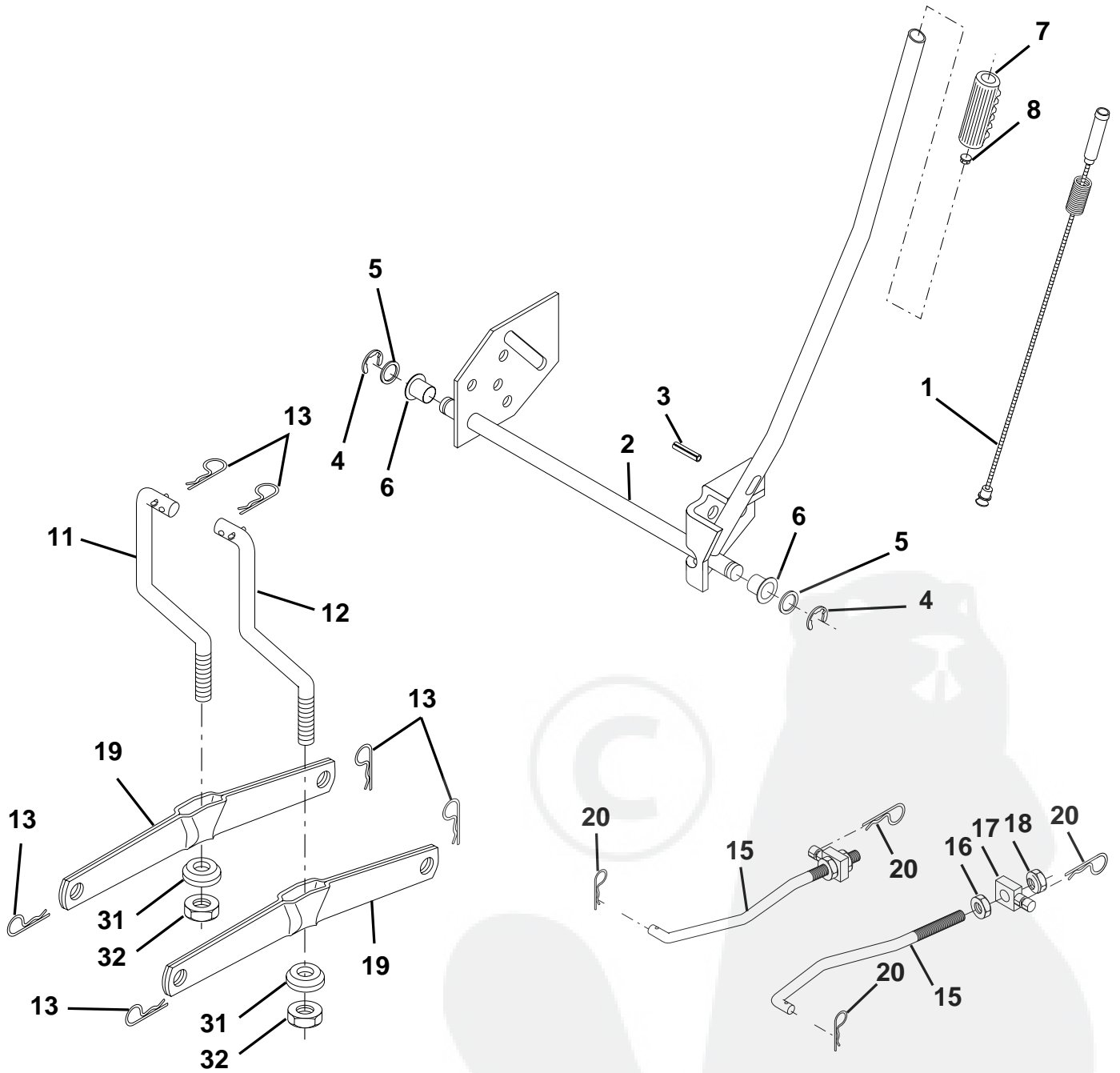
KEY NO.	PART NO.	DESCRIPTION
1	141295	Control, Throt 35.5 Lh Flag
2	17720410	Screw, Hex Thd Cut 1/4-20 x 5/8
3	-----	Engine, B&S Model 42E707 (Order parts from engine manufacturer)
4	149723	Muffler Exhaust
5	144069	Exhaust Asm. Left
6	144068	Exhaust Asm. Right
7	138129	Clamp Tube Double Engine
8	150176	Bolt 5/16-18unc x 3/4 W/Sems
10	145552	Heat Shield Lt
11	10040400	Washer Lock Hvy. Helical 1/4
12	74780412	Bolt Fin Hex 1/4
13	165287	Gasket, Muffler
14	13280336	Nipple, Pipe 4-1/2
15	13200300	Elbow, Standard 90°, 3/8-18 NPT
16	11050600	Washer Lock Ext Tooth 3/8
17	17490624	Screw Thdrol 3/8-16x1-1/2 Tytt
23	159880	Shield, Brn/Dbr Guard
25	145996	Control Choke
26	73920600	Nut Keps 3/8-24 Unf
27	152927	Screw TT #10-32 x 5 x 3/8 Flange
29	137180	Arrestor, Spark
31	161911	Tank, Fuel
32	140527	Cap Fuel Guage
33	123487X	Clamp, Hose
35	17060512	Screw 5/16-18 x 3/4
37	137040	Line, Fuel
38	-----	Plug, Oil Drain (Order From Engine Manufacturer)
40	124028X	Bushing Snap Nyl Blk Fuel Line
44	17490412	Screw Hexwsh Thdrol 1/4-20 x 3/4
46	19091416	Washer 9/32 x 7/8 x 16 Ga.
81	128861	Nut Flange 1/4-20 Starter Nut

NOTE: All component dimensions given in U.S. inches.
1 inch = 25.4 mm.

REPAIR PARTS

TRACTOR - - MODEL NUMBER RE145H42F

MOWER LIFT



REPAIR PARTS

TRACTOR - - MODEL NUMBER RE145H42F

MOWER LIFT

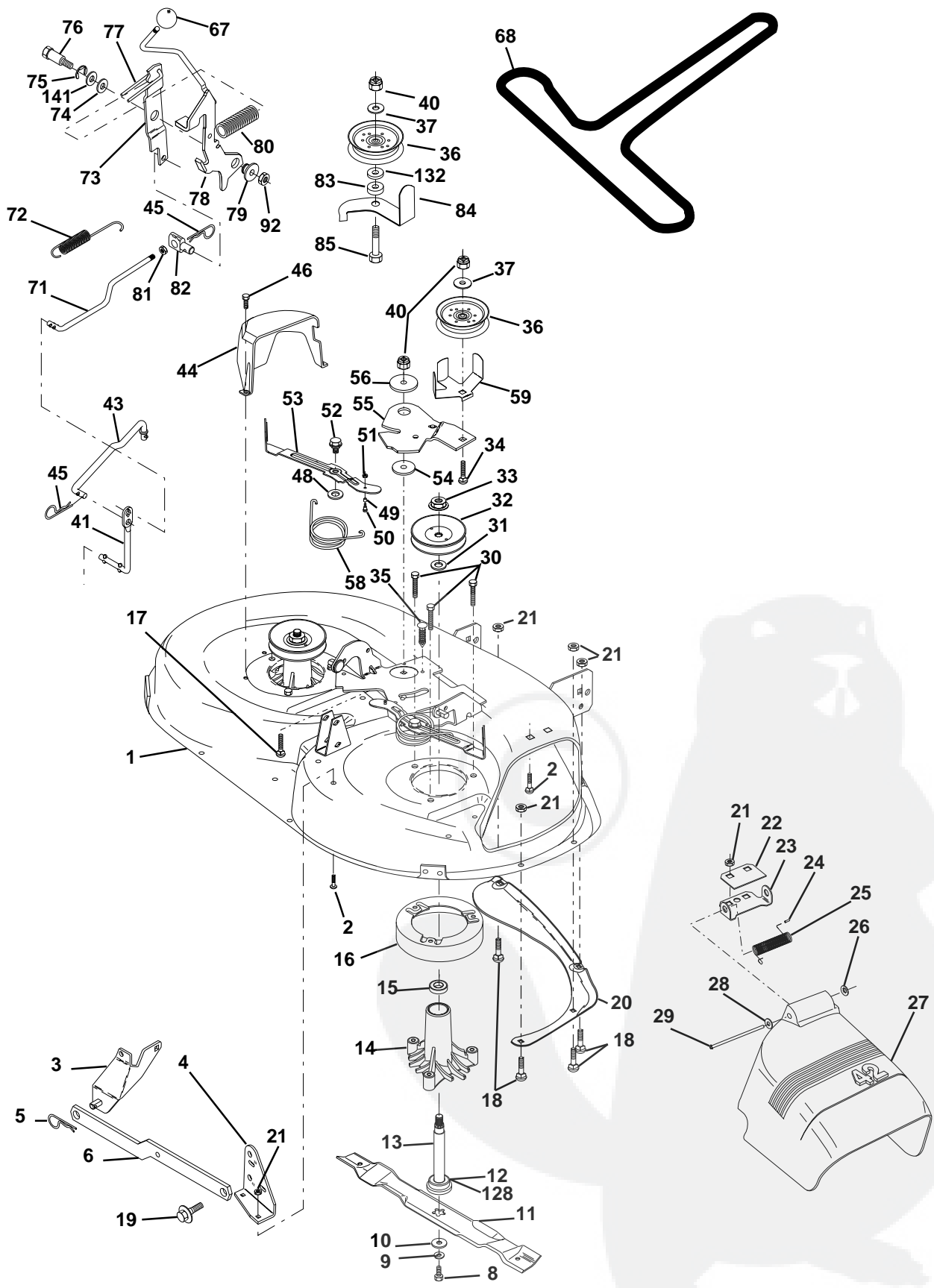
KEY NO.	PART NO.	DESCRIPTION
1	159460	Wire Asm. Inner/Sprg w/Plunger
2	159471	Shaft, Asm., Lift R/H
3	105767X	Pin, Groove
4	12000002	Ring, E #5133-62
5	19211621	Washer 21/32 x 1 x 21 Ga.
6	120183X	Bearing, Nylon
7	109413X	Grip Handle Bicycle Matte Blk
8	124526X	Button, Plunger
11	139865	Link, Lift, Lh
12	139866	Link, Lift, Rh
13	4939M	Spring, Retainer
15	127218	Link, Front
16	73350800	Nut, Jam, Hex 1/2-13 Unc
17	130171	Trunnion
18	73680800	Nut, Crownlock 1/2-13 Unc
19	139868	Arm, Suspension, Rear
20	163552	Spring, Retainer
31	140302	Bearing, Pvt Lft
32	73540600	Nut Crownlock 3/8-24

NOTE: All component dimensions given in U.S. inches
1 inch = 25.4 mm

REPAIR PARTS

TRACTOR - - MODEL NUMBER RE145H42F

MOWER DECK



REPAIR PARTS

TRACTOR - - MODEL NUMBER RE145H42F

MOWER DECK

KEY NO.	PART NO.	DESCRIPTION	KEY NO.	PART NO.	DESCRIPTION
1	164961	Housing Asm MWR 42" HL	45	4497H	Spring Retainer 1" Zinc/cad
2	72140506	Bolt Rdhd Sqnk 5/16-18unc X3/4	46	137729	Screw Hex Thd Cut 1/4-24 UNC
3	138017	Bracket Asm Fr Sway Bar 38/42	48	133944	Washer Hardened Smaller
4	138440	Bracket Asm Deck 42"sway Bar	49	155066	Roller Asm Cam Follower 42"dec
5	4939M	Retainer Spring	50	131340	Bolt Shldr 10-24 Zinc Gr 5 42"
6	130832	Arm Suspension Rear	51	69180	Nut Lock #10-24 Unc
8	850857	Bolt 3/8-24x1 25 Gr8 Patched	52	139888	Bolt Shoulder 5/16-18 Unc Blkz
9	10030600	Washer Lock Hvy 3/8 Unplated	53	131845	Arm Asm Pad Brake
10	140296	Washer Hard Blade Mower Vented	54	133943	Washer Hardened
11	138498	Blade Mower 42" High Lift	55	155046	Arm Idler 42" mower
12	129895	Bearing Ball #6204 (Mandrel)	56	165723	Spacer Retainer Mower
13	137645	Shaft Asm W/lower Bearing	58	140086	Spring Torsion Brakes 42"
14	128774	Housing Mandrel Vented(machd)	59	141043	Guard TUV Idler
15	110485X	Bearing Ball Mandrel	67	162132	Knob Rd 7/16-14 Pastic Thds Blk
16	140329	Stripper Mower Round	68	144200	V-Belt Mower
17	72110610	Bolt Rdhd Sqnk 3/8-16 X 1.25	71	142427	Rod Clutch Primary 38/42
18	72140505	Bolt Rdhd Sqnk 5/16-18 x 5/8	72	131870	Spring Return
19	132827	Bolt Shoulder	73	127847	Arm Clutch Secondary
20	159770	Baffle Vortex 42	74	121748X	Washer 25/32 X 1-5/8 X 16 Ga
21	73680500	Nut Crown Lock 5/16-18	75	12000029	Ring Klip #t5304-75
22	134753	Stiffener Bracket 42"deck	76	128903	Bolt Shoulder 3/8-16 Unc 1 44
23	131267	Bracket Deflector Mower 42"	77	127845	Keeper Spring 4 000
24	105304X	Cap Sleeve 80x 112 Blk Mower	78	160570	Lever Asm Clutch Primary
25	123713X	Spring Torsion Deflector 2 52	79	127498	Bushing 747 Od X 794 Lg Brass
26	110452X	Nut Push Phos & Oil	80	153701	Spring Clutch Mower
27	130968	Shield Deflector Mower 42" Blk	81	73350600	Nut Hex Jam 3/8-16
28	19111016	Washer 11/32 X 5/8 X 16 Ga	82	142028	Trunnion Adj.
29	131491	Rod Hinge 42"6 75 Wlg	83	120958X	Washer Sintered
30	157722	Screw Thdrol Wsh Hd	84	156084	Kepper Belt Idler
31	129963	Washer Spacer Mower Vented	85	72140620	Bolt Rdhd Sq 3/8-16 UNC x2-1/2 Gr. 5
32	153535	Pulley Mandrel 42/44/50"	92	73800600	Nut Lock Hex w/Ins 3/8-16 UNC
33	137266	Nut 9/16top Lock Fling	128	153390	Washer Felt
34	72110614	Bolt Rdhd 3/8-16uncx1-3/4 Gr5	132	19132203	Washer 13/32 x 1-3/8 x 3 Ga.
35	133835	Fastner Christmas Tree	141	6266H	Washer Thrust .75 x 1.230
36	131494	Pulley Idler Flat 3 060	--	130794	Mandrel Assembly (Includes Key Numbers 8-10, 12-15, 31 and 33)
37	19131316	Washer 13/32 x 13/16 x 16 Ga.	--	164962	Deck, Std (Complete)
40	73680600	Nut Crownlock 3/8-16 Unc			
41	133551	Rod Pivot W/nibs			
43	140083	Rod Clutch Secondary W/nibs			
44	140088	Guard Mandrel LH Black			

NOTE: All component dimensions given in U.S. inches
1 inch = 25.4 mm

LIMITED WARRANTY

The Manufacturer warrants to the original consumer purchaser that this product as manufactured is free from defects in materials and workmanship. For a period of one (1) year from date of purchase by the original consumer purchaser, we will repair or replace, at our option, without charge for parts or labor incurred in replacing parts, any part which we find to be defective due to materials or workmanship. This Warranty is subject to the following limitations and exclusions.

1. This warranty does not apply to the engine. Please contact your nearest dealer where they will send the machine to the engine manufacturer.
2. Transportation charges for the movement of any power equipment unit or attachment are the responsibility of the purchaser. Transportation charges for any parts submitted for replacement under this warranty must be paid by the purchaser unless such return is requested by your dealer.
3. Battery Warranty: On products equipped with a Battery, we will replace, without charge to you, any battery which we find to be defective in manufacture, during the first ninety (90) days of ownership. After ninety (90) days, we will exchange the Battery, charging you 1/12 of the price of a new Battery for each full month from the date of the original sale. Battery must be maintained in accordance with the instructions furnished.
4. The Warranty period for any products used for rental or commercial purposes is limited to 90 days from the date of original purchase.
5. This Warranty applies only to products which have been properly assembled, adjusted, operated, and maintained in accordance with the instructions furnished. This Warranty does not apply to any product which has been subjected to alteration, misuse, abuse, improper assembly or installation, delivery damage, or to normal wear of the product.
6. Exclusions: Excluded from this Warranty are belts, blades, blade adapters, normal wear, normal adjustments, standard hardware and normal maintenance.
7. In case of any problem within the boundaries of this warranty, contact the nearest department store, indicate the model number, serial number and the date of purchase of your machine. This warranty does not apply to accidental damages. All implicit warranties are limited to the same time frames. Or contact:

E.M. Services
54 Rue Lambrechts
92400 Courbevoie
France
Telephone: (1) 46678078
Fax: (1) 46678095

THIS WARRANTY DOES NOT APPLY TO INCIDENTAL OR CONSEQUENTIAL DAMAGES. ANY IMPLIED WARRANTIES ARE LIMITED TO THE SAME TIME PERIODS STATED HEREIN.



Rally