



BESTGREEN



REPAIR PARTS MANUAL
MODEL NO. BM155H92EJA
Lawn Tractor

BESTGREEN

HOW TO USE THIS MANUAL

This manual is designed to provide the customer with a means to identify the parts on his/her tractor when ordering repair parts. The illustrations may or may not represent the actual assemblies; therefore, it is not recommended to use this manual as a guide to assemble or disassemble the tractor. Some hardware and parts are drawn larger in order to more readily identify them.

Each tractor has its own model number.

The model number for your tractor can be found on the fender under the seat.

When ordering parts, always give the following information:

- Product - "Tractor"
- Model Number - "BM155H92EJA"
- Part Number
- Part Description

TABLE OF CONTENTS

WARRANTY	3
ELECTRICAL	4-5
CHASSIS	6-7
DRIVE	8-9
STEERING	10-11
SEAT	12
DECALS	13
ENGINE	14-15
MOWER LIFT	16-17
MOWER DECK	18-19
BAGGER	20-21

LIMITED WARRANTY

The Manufacturer warrants to the original consumer purchaser that this product as manufactured is free from defects in materials and workmanship. For a period of one (1) year from date of purchase by the original consumer purchaser, we will repair or replace, at our option, without charge for parts or labor incurred in replacing parts, any part which we find to be defective due to materials or workmanship. This Warranty is subject to the following limitations and exclusions.

1. This warranty does not apply to the engine. Please contact your nearest Bricomarché dealer where they will send the machine to the engine manufacturer.
2. Transportation charges for the movement of any power equipment unit or attachment are the responsibility of the purchaser. Transportation charges for any parts submitted for replacement under this warranty must be paid by the purchaser unless such return is requested by Bricomarché.
3. **Battery Warranty:** On products equipped with a Battery, we will replace, without charge to you, any battery which we find to be defective in manufacture, during the first ninety (90) days of ownership. After ninety (90) days, we will exchange the Battery, charging you 1/12 of the price of a new Battery for each full month from the date of the original sale. Battery must be maintained in accordance with the instructions furnished.
4. The Warranty period for any products used for rental or commercial purposes is limited to 90 days from the date of original purchase.
5. This Warranty applies only to products which have been properly assembled, adjusted, operated, and maintained in accordance with the instructions furnished. This Warranty does not apply to any product which has been subjected to alteration, misuse, abuse, improper assembly or installation, delivery damage, or to normal wear of the product.
6. **Exclusions:** Excluded from this Warranty are belts, blades, blade adapters, normal wear, normal adjustments, standard hardware and normal maintenance.
7. In the event you have a claim under this Warranty, please contact your nearest Bricomarché dealer.

Should you have any unanswered questions concerning this Warranty, please contact:

SERVICE CONSOMMATEURS
BP443
91164 LONGJUMEAU cedex
France

giving the model number, serial number and date of purchase of your product and the name and address of the authorized dealer from whom it was purchased.

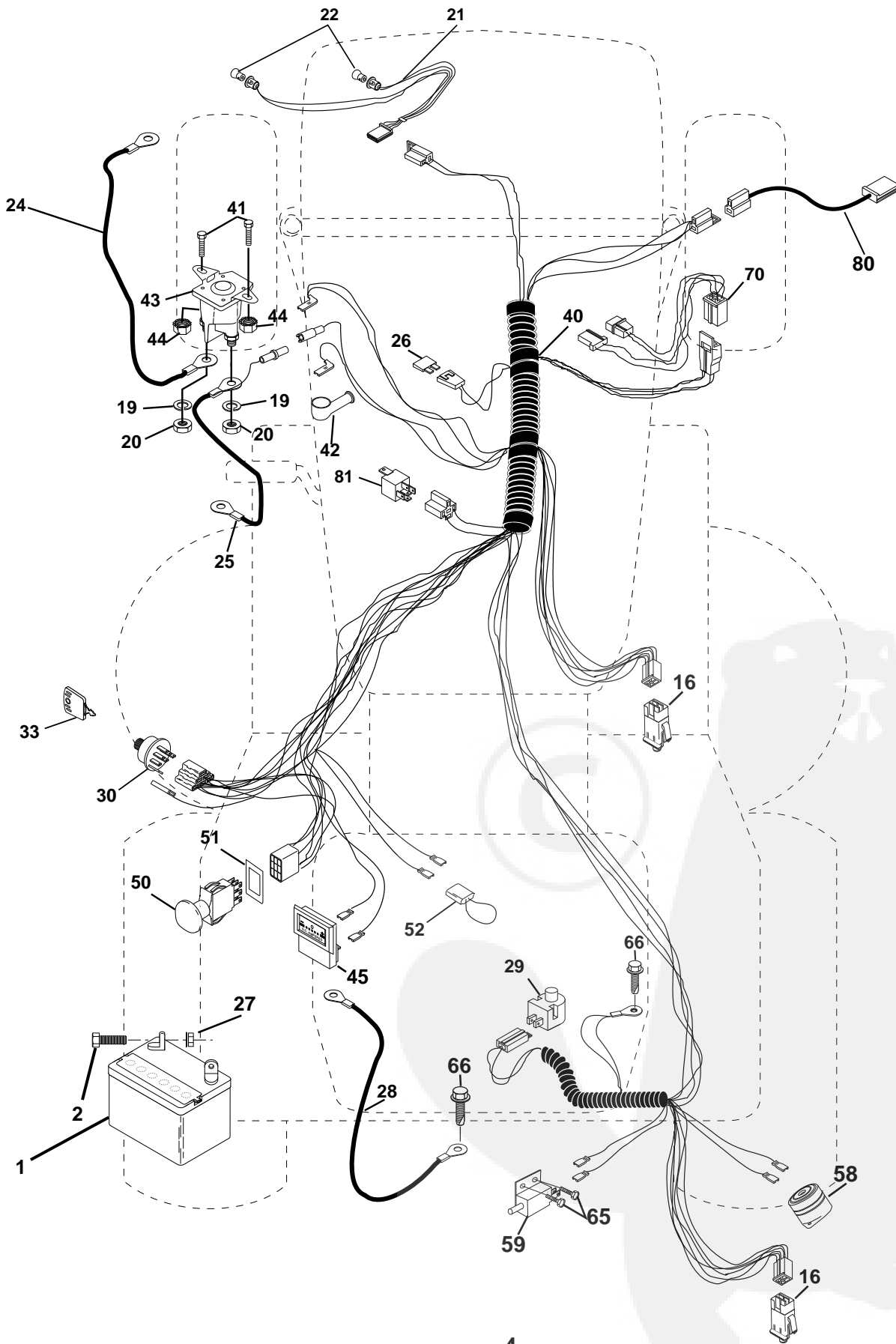
THIS WARRANTY DOES NOT APPLY TO INCIDENTAL OR CONSEQUENTIAL DAMAGES. ANY IMPLIED WARRANTIES ARE LIMITED TO THE SAME TIME PERIODS STATED HEREIN.

This is a limited Warranty within the meaning of that term as defined in the Magnuson-Moss Act of 1975.

REPAIR PARTS

TRACTOR- -MODEL NO. BM155H92EJA

ELECTRICAL



REPAIR PARTS

TRACTOR- -MODEL NO. BM155H92EJA

ELECTRICAL

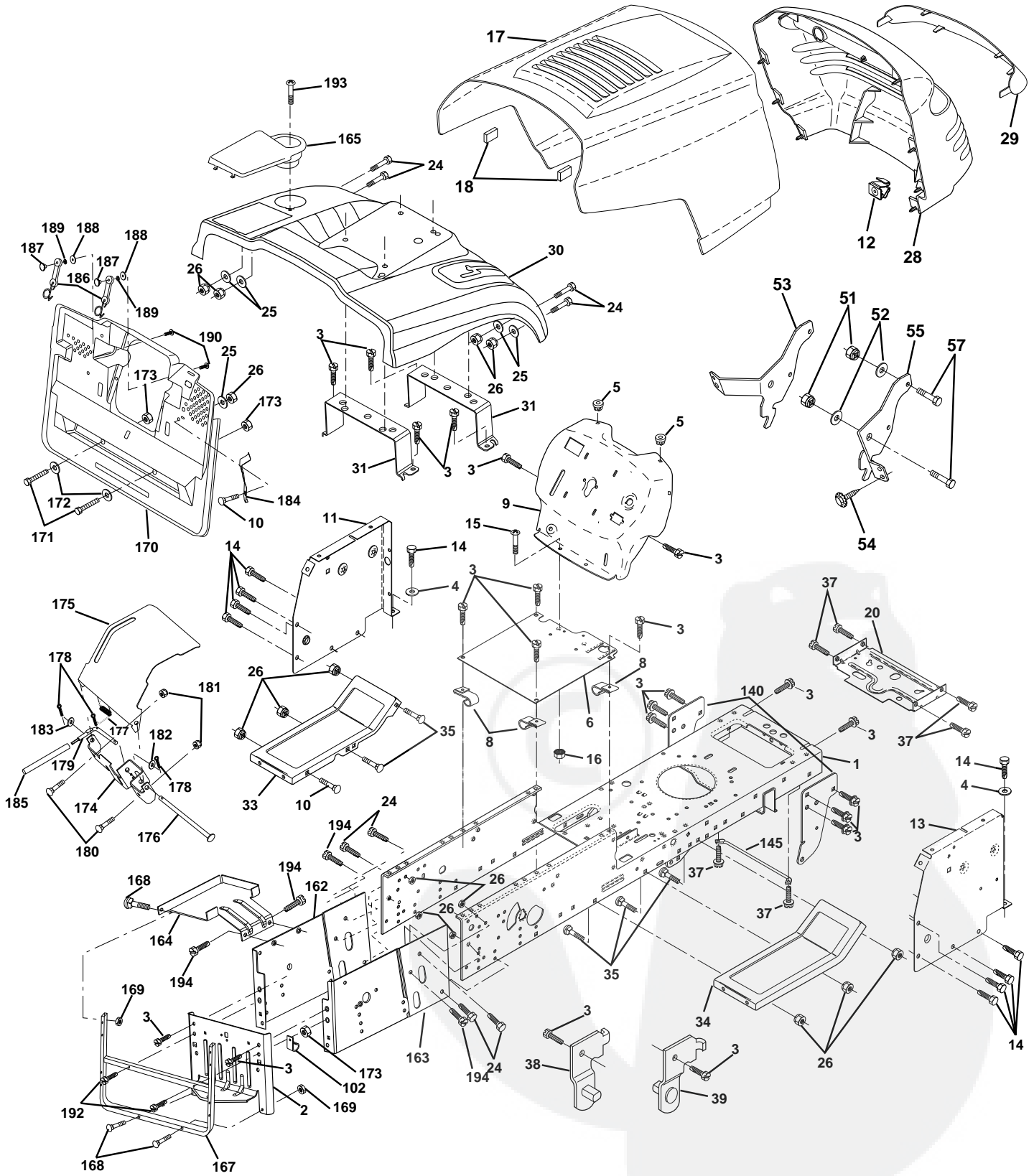
KEY NO.	PART NO.	DESCRIPTION
1	144925	Battery 12 Volt 25 AMP Wet
2	74760412	Bolt Hex Hd 1/4-20 Unc X 3/4
16	153664	Switch Interlock Push-In
19	10090400	Washer Lock 1/4
20	73350400	Nut Jam Hex 1/4-20 Unc
21	166181	Harness Asm Light W/4152J
22	4152J	Bulb Light #1156
24	4799J	Cable Starter 6Ga 11" Red
25	165987	Cable Battery Crd 56" Red
26	166180	Fuse 15 Amp
27	73510400	Nut Keps Hex 1/4-20 Unc
28	127725X	Cable Ground 6Ga 18" Black
29	160784	Switch Plunger Normal Op Olive
30	140301	Switch Ignition 4Pos W/Lights
31	124211X	Nut Ignition #125
32	141226	Cover Switch Ignition #121
33	122147X	Key Ign Molded Indak
40	166158	Harness Ign Crd Elect
41	71110408	Bolt Flk Fin Hex 1/4-20 Unc X 1/2
42	131563	Cover Terminal Red
43	145673	Solenoid
44	73640400	Nut Keps Blk Hex 1/4-20 Unc
45	122822X	Ammeter Rectangular 15 Amp
50	154959	Switch PTO 3PDT Black Delta 96
51	140405	Ring Retainer PTO
52	141940	Protection Wire Loop
58	165943	Buzzer Crd
59	166299	Switch FBI CRD
65	17211008	Screw Slftp #10-16 x 1/2 Ty-Ab
66	17490608	Screw Thdrol 3/8-16 x 1/2 Ty-Tt
70	166668	Harness Engine B&S Reg W/AFTS0
80	146685	Harness Clutch EVX
81	109748X	Relay Asm

NOTE: All component dimensions given in U.S. inches.
1 inch = 25.4 mm.

REPAIR PARTS

TRACTOR- -MODEL NO. BM155H92EJA

CHASSIS AND ENCLOSURES



REPAIR PARTS

TRACTOR- -MODEL NO. BM155H92EJA

CHASSIS AND ENCLOSURES

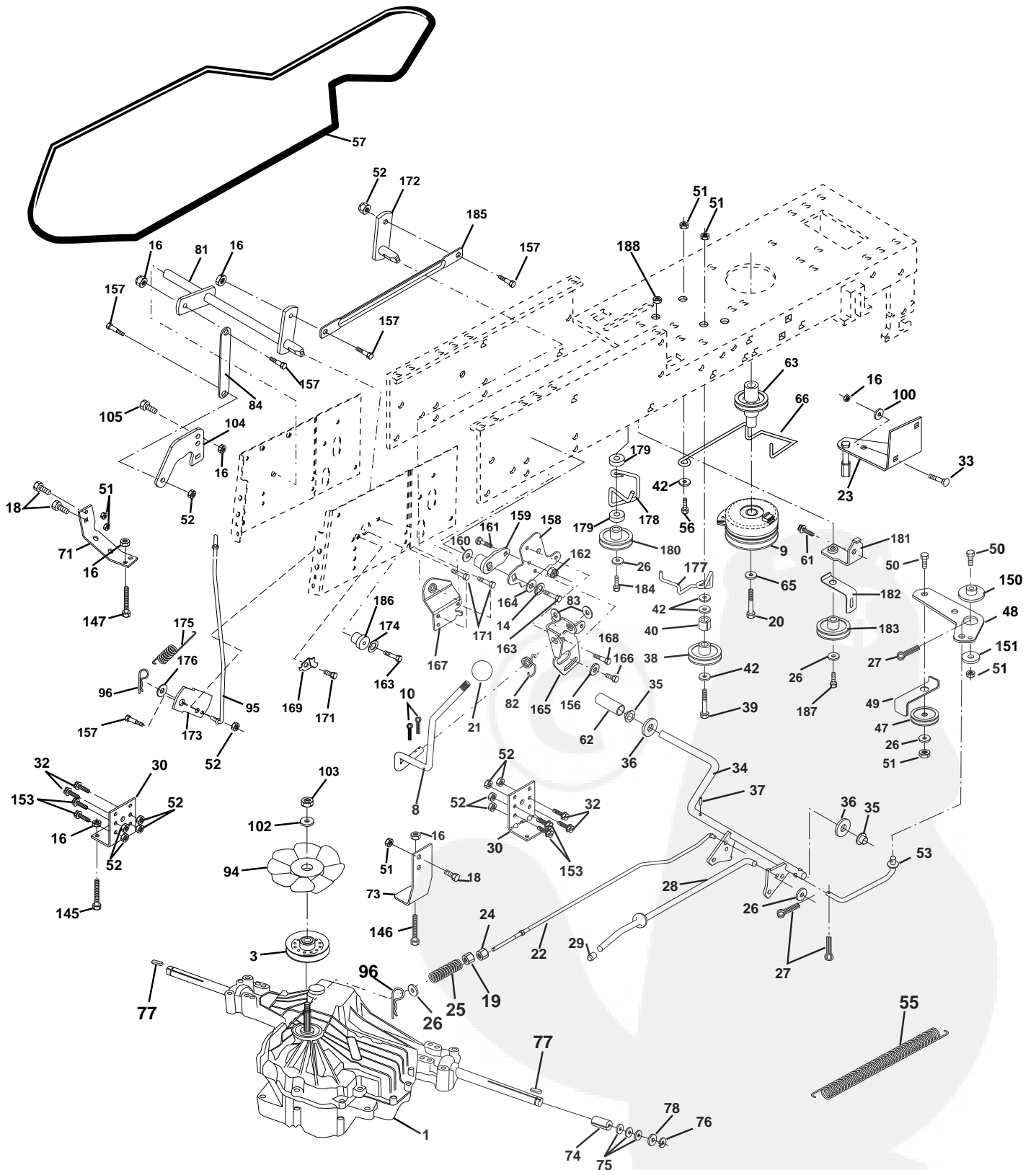
KEY NO.	PART NO.	DESCRIPTION	KEY NO.	PART NO.	DESCRIPTION
1	165480	Chassis Assembly	54	161464	Screw Hex WSHD 8-18 x 7/8
2	165606	Drawbar	55	144696	Bracket, Grille RH
3	17490612	Screw, Thd. Roll. 3/8-16 x 3/4	57	74780412	Bolt, Fin Hex 1/4-20 UNC x .75
4	19131216	Washer 13/32 x 3/4 x 16 Gauge	58	150127	Duct Air Engine PI/Lt
5	155272	Bumper Hood/Dash	125	74180412	Screw Mach Cr. 1/4-20 x 3/4
6	155923	Saddle	140	158418	Bracket Front Suspension
8	126471X	Clip Insulator 13/32 Mtg. Hole	145	156524	Rod Pivot Chassis/Hood
9	154587X011	Dash	148	17490620	Screw Thdrol 3/8-16 x 1-1/4 TY-TT
10	72140608	Bolt, Carriage 3/8-16 x 3/4	162	165672	Bracket Exten Chassis Lh CRD
11	155927	Panel, Dash, L.H.	163	165673	Bracket Exten Chassis Rh CRD
12	145660	Clip, Tinnerman Grille P/L	164	165605	Support Battery CRD
13	155934X010	Panel, Asm. Dash R.H.	165	165742X428	Cover Battery CRD Lt
14	17490608	Screw Thdrol 3/8-16 x 1/2	167	165779	Support Asm. Backplate WLDMNT
15	74180512	Screw, Machine, Truss Head 5/16-18 UNC x 3/4	168	72050412	Bolt, RDHD SHT NK 1/4-20 x 1-1/2
16	73510500	Nut	169	123976X	Nut, Lock 1/4 LGE FLG Gr. 5 Zinc
17	159639X558	Hood Assembly	170	165607	Cover, Backplate Plastic Black
18	126938X	Bumper Hood	171	74520628	Bolt, Fin Hex 3/8-16 x 1-3/4 Gr. 5
20	156437	Plate Mtg. Battery/Fuel Tank	172	19132016	Washer 13/32 x 1-1/4 x 16 Ga.
24	74780616	Bolt	173	73510600	Nut, Keps Hex 3/8-16 UNC
25	19131312	Washer 13/32 x 13/16 x 12 Gauge	174	165939	Bracket Switch FBI CRD
26	73800600	Nut	175	166212	Guard Door Rear CRD
28	157373	Grille PL	176	128600	Pin Hinge Pivot
29	140273X599	Lens, Grille	177	132796	Spring Bagger Top LH Black
30	165713X558	Fender	178	76520312	Pin Cotter 3/32 x 3/4 Cad Zinc
31	165156	Bracket, Fender Support	179	165942	Rod Pivot FBI CRD
33	145244X558	Footrest, L.H.	180	74760516	Bolt Hex HD 5/16-18 UNC x 1
34	145243X558	Footrest, R.H.	181	73680500	Nut Crownlock 5/16-18
35	72110606	Bolt	182	138200	Washer .385 x .625 x 11 Ga.
37	17490508	Screw Thdrol 5/16-18 x 1/2 TYT	183	19131316	Washer 13/32 x 13/16 x 16 Ga.
38	139886	Pivot Bracket Assembly, L.H.	184	166139	Bracket Actuator Bagger CRD
39	139887	Pivot Bracket Assembly, R.H.	185	165940	Tube Lever Switch FBI CRD
51	73800400	Nut Lock w/Insert 1/4-20 UNC	186	72140608	Bolt RDHD SQNK 3/8-16 UNC x 1
52	19091416	Washer 9/32 x 7/8 x 16 Ga.	--	5479J	Plug, Button
53	144697	Bracket, Grille LH			

NOTE: All component dimensions given in U.S. inches.
1 inch = 25.4 mm.

REPAIR PARTS

TRACTOR- -MODEL NO. BM155H92EJA

DRIVE



REPAIR PARTS

TRACTOR- -MODEL NO. BM155H92EJA

DRIVE

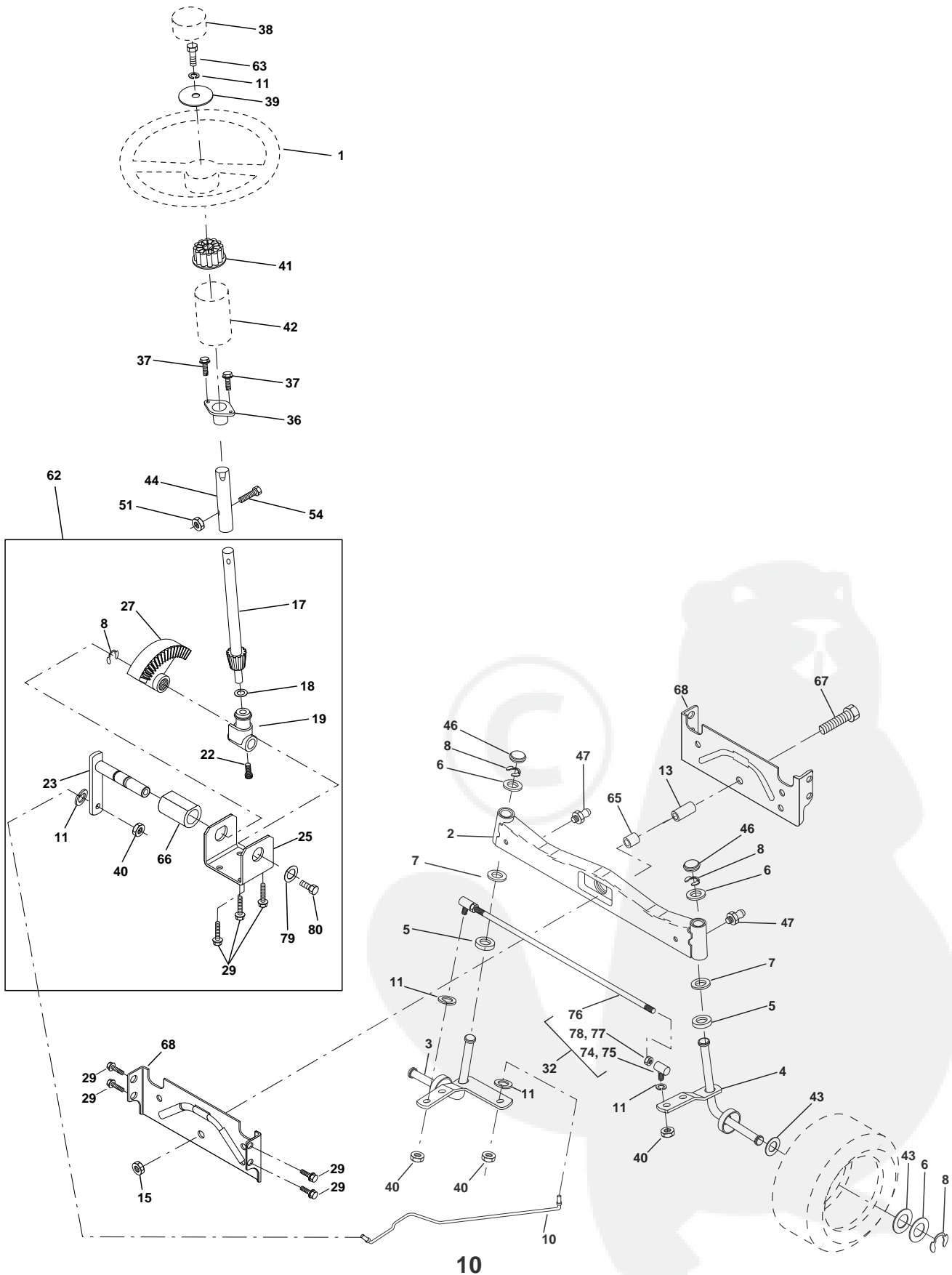
KEY NO.	PART NO.	DESCRIPTION	KEY NO.	PART NO.	DESCRIPTION
1	-----	Transaxle Hydro Gear 331-0650 Order parts from transaxle manufacturer	78	121748X	Washer 25/32 x 1-5/8 x 16 Ga.
3	143995	Pulley Hydro 0650 Lt/CRD	81	165585	Asm, Shaft
8	165619	Rod, Shift Fender Adjust Lt	82	123782X	Spring, Torsion
9	167162	Clutch Ele EVX 80 W/Hard Brake	83	19171216	Washer 17/32 x 3/4 x 16 Ga.
10	76020416	Pin, Cotter 1/8 x 1	84	165629	Link, Transaxle
14	10040400	Washer, Lock Hvy Helical	94	140462	Fan 7"
16	73800500	Nut, Lock Hex w/Ins 5/16-18 UNC	95	165935	Control Asm Bypass Hydro
18	74780616	Bolt Hex 3/8-16 UNC x 1 Gr.5	96	4497H	Spring, Retainer 1"
19	73800600	Nut, Lock Hex w/Wsh 3/8-16 UNC	100	19111216	Washer 11/32 x 3/4 x 16 Ga.
20	150280	Bolt, Hex 7/16-20 x 4-1/4 5 Ga 1.38	102	141322	Washer, Bellville .50ID x 1.50D
21	140845	Knob Deluxe 1/2-13 UNC	103	73940800	Nut, Hex Jam Toplock 1/2-20 UNF
22	165688	Rod, Brake CRD 0650	104	140156	Arm, Control Hydro
23	154978	Bracket asm Clutch Mtg. EVX 97	105	71070516	Screw Cap Hex 5/16 x 18 Unc-1
24	73350600	Nut	145	74490540	Bolt Hex FGHD 5/16-18 x Gr 5
25	106888X	Spring, Rod, Brake	146	74490536	Bolt Hex FLGHD 5/16-18 x 2-1/4
26	19131316	Washer 13/32 x 13/16 x 16 Ga.	147	74490524	Bolt Hex FLGHD 5/16-18 x 1-1/2
27	76020412	Pin, Cotter 1/8 x 3/4	150	165850	Bushing, Bellcrank Grnd Dr
28	145204	Rod, Parking Brake	151	19133210	Washer 13/32 x 2 x 10 Ga.
29	71673	Cap, Parking Brake	153	74760516	Bolt Hex Hd 5/16-18 Unc x 1
30	130807	Bracket, Mfg. Transaxle	156	166002	Washer Srrted 5/16ID x 1.125
32	74760512	Bolt Hex 5/16-18 UNC x 3/4	157	153236	Bolt Shoulder 5/16-18 Unc 2A
33	72140516	Bolt Rdhd Sqnk 5/16-18 Unc x 3/4	158	165589	Bracket Shift Mount
34	165496	Shaft, Asm Pedal Foot CRD	159	165494	Hub Tapered Flange Shift Lt
35	120183X	Bearing, Nylon	160	19292016	Washer 29/32 x 1-1/4 x 16 Ga.
36	19211616	Washer 21/32 x 1 x 16 Ga.	161	72140406	Bolt Rdhd Sqnk 1/4-20 x 3/4 Gr 5
37	1572H	Pin, Roll 3/16 x 1"	162	73680400	Nut Crownlock 1/4-20 Unc
38	165630	Pulley, Idler, Flat 1.88"CRD	163	74780416	Bolt Hex Fin 1/4-20 Unc x 1 Gr 5
39	74760644	Bolt Fin Hex 3/8-16 x 2-3/4	164	19091010	Washer 5/8 x .281 x 10 Ga.
40	4470J	Spacer, Split 395 x 59 Bzp	165	165623	Bracket Pivot Lever
42	19131312	Washer 13/32 x 13/16 x 12 Ga.	166	166880	Screw 5/16-18 x 5/8
47	127783	Pulley, Idler, V Groove Plasic	167	165588	Bracket Support Shift CRD
48	154407	Bellcrank Clutch Grnd Drv	168	165492	Bolt Shoulder 5/16-18 x .561
49	123205X	Retainer, Belt Style Spring	169	165580	Plate Fastening Lt
50	74760624	Bolt Hex Hd 3/8-16 UNC x 1-1/2	171	17490608	Screw Thdrol 3/8-16 x 1/2 Ty-Tt
51	73680600	Nut, Crownlock 3/8-16 UNC	172	165541	Link Shift CRD Hydro 0650
52	73680500	Nut Crownlock 5/16-18	173	165934	Bracket Hydro Bypass CRD
53	105710X	Link, Clutch 7.66	174	10090400	Washer Lock 1/4
55	105709X	Spring, Return, Clutch	175	165931	Spring Bypass CRD
56	74760620	Bolt, Hex 3/8-16 UNC x 1-1/4	176	19070816	Washer 7/32 x 1/2 x 16 Ga.
57	165632	V-Belt Kev 112" 0650 CRD	177	165932	Keeper Flat Idler 3.06" CRD
61	17490612	Screw, Thdrol 3/8-16 x 3/4 Ty-TT	178	165933	Keeper Belt Idler 1.88" CRD
62	8883R	Cover, Pedal	179	120958X	Washer Sintered
63	145868	Pulley, Clutch elect EVX 1"	180	165936	Pulley Flat Composite 3.06"
65	10040700	Washer	181	165797	Bracket Idler Ground Drive CRD
66	154778	Keeper, Belt Engine F-Proof	182	165634	Keeper Belt 2.5" Od V-Idler CRD
71	140158	Strap, Torque, Lh	183	165626	Pulley V-Idler 2.50" Od CRD
73	156347	Strap, Torque, Rh	184	17490644	Screw Hexwsh Thdrol 3/8-16 x 2-3/4
74	121199X	Spacer, Split	185	165587	Shaft Asm Shifter Frt CRD 0650
75	121749X	Washer 25/32 x 1-1/4 x 16 Ga.	186	165614	Hub Tapered Round CRD
76	12000001	Ring, E	187	17490620	Screw Thdrol 3/8-16 x 1-1/4 TT
77	123583X	Key, Square	188	110436X	Bushing Snap

NOTE: All component dimensions given in U.S. inches
1 inch = 25.4 mm

REPAIR PARTS

TRACTOR- -MODEL NO. BM155H92EJA

STEERING ASSEMBLY



REPAIR PARTS

TRACTOR- -MODEL NO. BM155H92EJA

STEERING ASSEMBLY

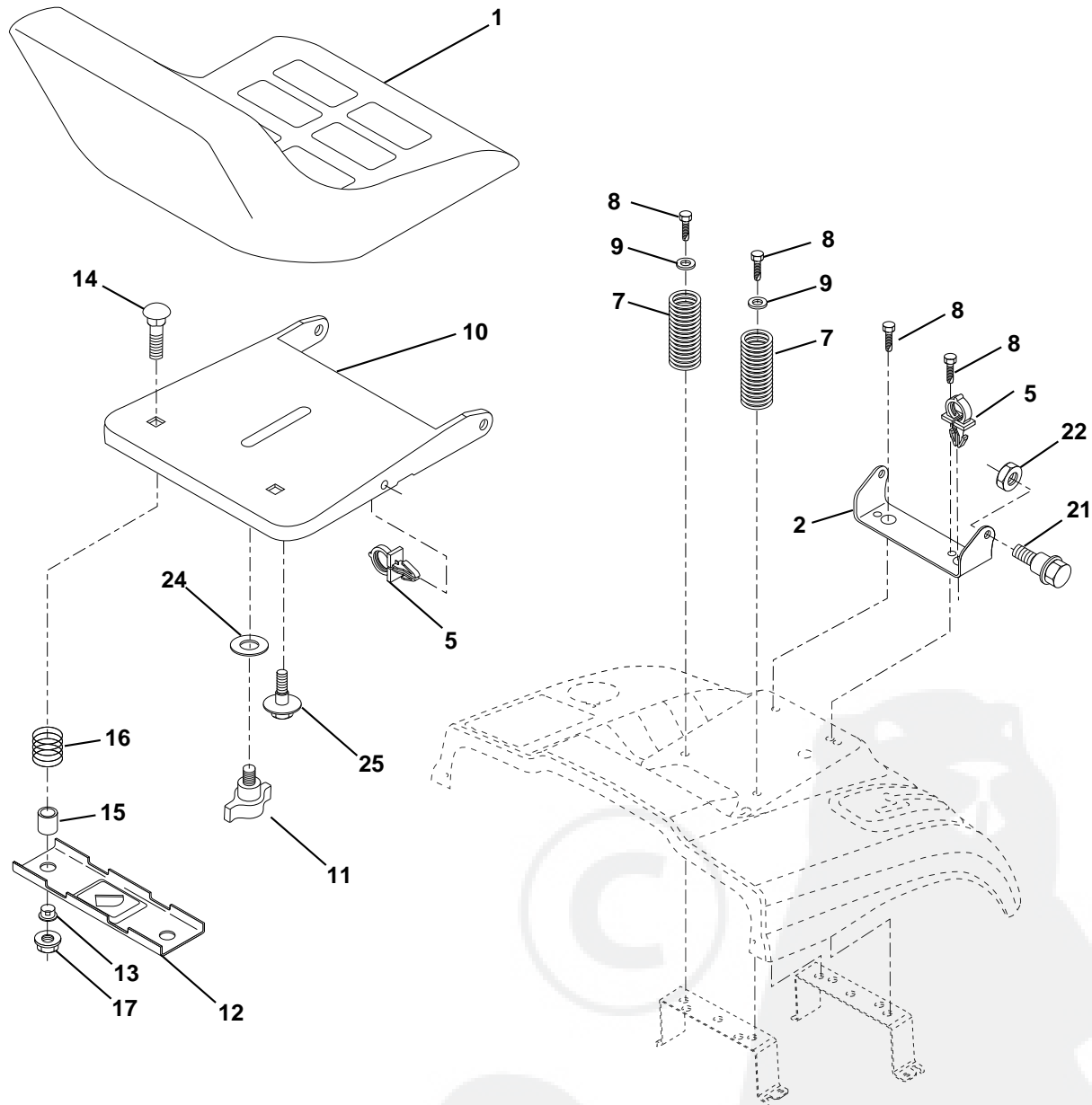
KEY NO.	PART NO.	DESCRIPTION
1	140044	Steering Wheel
2	137094	Front Axle Assembly
3	157479	Spindle Assembly, L.H.
4	157478	Spindle Assembly, R.H.
5	6266H	Bearing, Race, Thrust, Hardened
6	121748X	Washer 25/32 x 1-5/8 x 16 Gauge
7	19272016	Washer 27/32 x 1-1/4 x 16 Gauge
8	12000029	Ring, Klip
10	154432	Link, Drag
11	10040600	Washer, Lock
13	167118	Spacer Axle
15	73901000	Nut, Lock, Flange 5/8-11 UNC
17	156546	Shaft Assembly, Steering
18	57099	Washer, Thrust .515 x .750 x .033
19	160395	Support, Shaft
22	165857	Screw Hex Wshhd Torx
23	165851	Pittman Shaft Assembly
25	154406	Bracket, Steering
27	136874	Gear, Sector
29	17490612	Screw, Thd., Roll. 3/8-16 x 3/4
32	137347	Rod, Tie
36	155099	Bushing, Steering
37	152927	Screw TT #10-32 x 5 x 3/8 Flange
38	140045	Cap Wheel Steering
39	19133808	Washer 13/32 x 2-3/8 x 8 Gauge
40	7810H	Nut Lock Center 3/8-24 Unf
41	100711	Adaptor, Steering Wheel
42	145054	Boot, Steering Dash P/L Mtl
43	121749X	Washer 25/32 x 1-1/4 x 16 Gauge
44	153720	Extension Steering Non-Adjust
46	121232X	Cap, Spindle
47	6855M	Fitting, Grease
51	73800500	Nut Lock Hx W/Ins 5/16-18 UNC
54	74780520	Bolt Fin Hex 5/16-18 UNC x 1-1/4
62	167902	Kit, Steering Assembly, Service
63	74780616	Bolt Fin Hex 3/8-16 unc. x 1 Gr. 5
65	154780	Spacer Axle
66	154404	Bearing Arm Pittman
67	74781044	Bolt Fin Hex 5/8-11unc x 2-3/4
68	154429	Brace Axle
74	109850X	Joint Asm Ball Rh Service
75	109851X	Joint Asm Ball Lh Service
76	137156	Rod Tie Ball J Adj. VGT Service
77	73700600	Nut Hex Jam 3/8-24 Unf Lh
78	73360600	Nut Hex Jam 3/8-24
79	19132012	Washer 13/32 x 1-1/4 x 12 Ga
80	74950612	Bolt Hex Nylon 3/8-16 x 3/4
81	17490644	Screw Hex Wsh Thdrol 3/8-16 x 2-3/4

NOTE: All component dimensions given in U.S. inches.
1 inch = 25.4 mm.

REPAIR PARTS

TRACTOR- -MODEL NO. BM155H92EJA

SEAT ASSEMBLY



KEY NO.	PART NO.	DESCRIPTION
1	127429X	Seat
2	140551	Bracket Pnt Pivot Seat (blk)
5	145006	Clip Push In Hinged
7	124181X	Spring Seat Cprsn 2 250 Blk Zi
8	17490616	Screw Thdrol 3/8-16 X 1 Ty-tt
9	19131614	Washer 13/32 X 1 X 14 Ga
10	155925	Pan Pnt Seat (blk)
11	166369	Knob Seat Adj. Wingnut
12	121246X	Bracket Pnt Mounting Switch
13	121248X	Bushing Snap Blk Nyl 50 Id

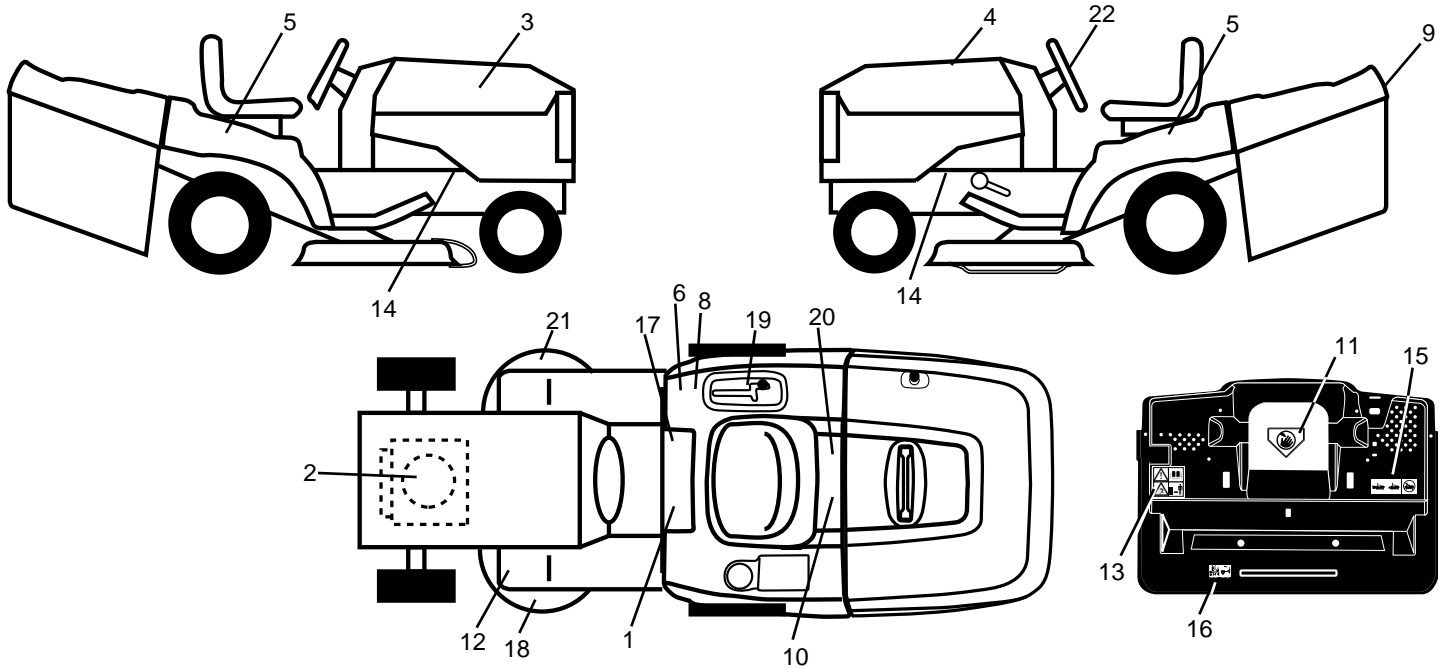
KEY NO.	PART NO.	DESCRIPTION
14	72050412	Bolt Rdhd Sht Nk 1/4-20x1-1/2
15	121249X	Spacer Split .28 X .88 Zinc
16	123740X	Spring Cprsn Plate SW 1.310 Ga
17	123976X	Nut Lock 1/4 Lge Flg Gr 5 Zinc
21	153236	Bolt Shoulder 5/16-18 Unc-2A
22	73800500	Nut Hex Lock w/Ins 5/16-18
24	19171912	Washer 17/32 X 1-3/16 X 12 Ga.
25	127018X	Bolt Shoulder 5/16-18 X 62

NOTE: All component dimensions given in U.S. inches.
1 inch = 25.4 mm

REPAIR PARTS

TRACTOR- -MODEL NO. BM155H92EJA

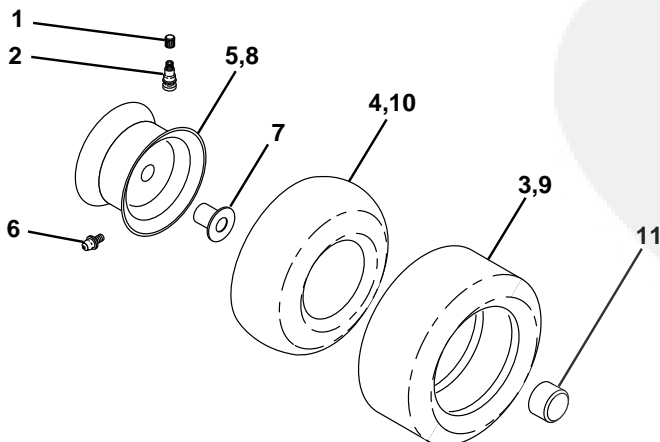
DECALS



KEY NO.	PART NO.	DESCRIPTION
1	145498	Decal Read Owner's Manual Sym
2	165365	Decal Hp Engine
3	167638	Decal Hood Rh
4	167639	Decal Hood Lh
5	157807	Decal Fender Automatic
6	126187X	Decal 100 DBA
8	145437	Decal Europe Stand Ce
9	163333	Decal Fender Logo
10	145005	Decal Bat Dan/Poi P/L Sym Wp
11	145494	Decal Mower Cut Finger Symbol
12	159737	Decal Brake/Clutch Symbol Lt
13	166959	Decal Warn Back Plate CRD
14	159736	Decal Chassis Hot Muffler

KEY NO.	PART NO.	DESCRIPTION
15	166961	Decal Oper Bag Presence CRD
16	162598	Decal Drawbar Load Limit
17	140837	Decal Saddle Brake Parking
18	134999	Decal, Deck Enviro
19	166962	Decal Console Hydro CRD White
20	166960	Decal Bypass Fender CRD
21	166286	Decal Deck Sch 92 CRD
22	163338	Decal, Strg Whl
—	138311	Decal Lift Handle
—	157199	Pad Footrest
—	167816	Manual Operator's (Euro)
—	167817	Manual Operator's (Portugese)
—	167818	Manual Parts

WHEELS & TIRES



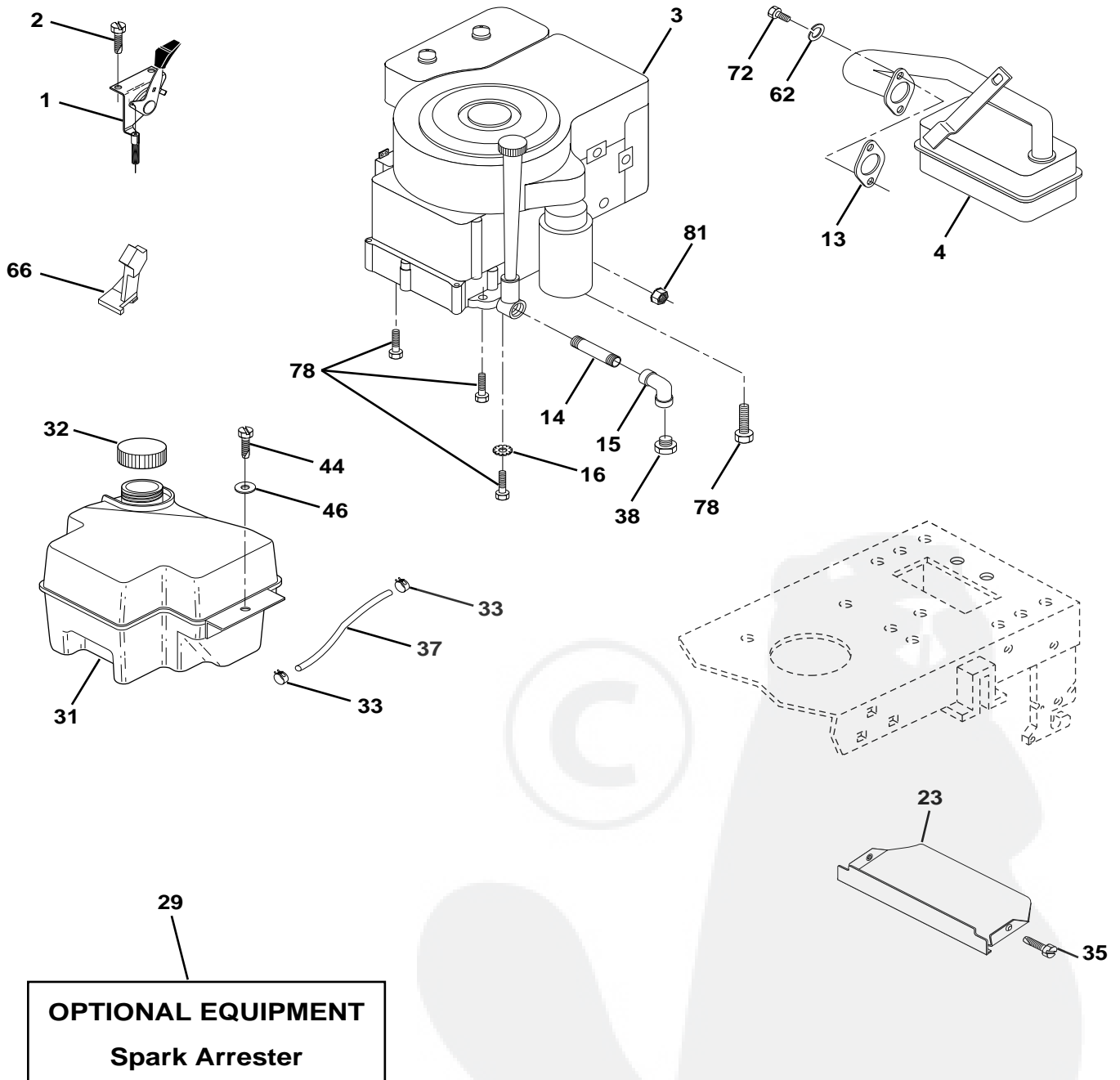
KEY NO.	PART NO.	DESCRIPTION
1	59192	Cap Value Tire
2	65139	Stem Value
3	106222X	Tire F Ts 15 X 6 0 - 6 Service
4	59904	Tube Inner Front #35060
5	106732X427	Rim Asm 6"front White Service
6	278H	Fitting Grease
7	9040H	Bearing Flange
8	106108X427	Rim Asm 8"rear White Service
9	138468	Tire R Ts 20 x 8-8 Service
10	7152J	Tube Rear 9 5 X 8 Service
11	104757X	Cap Axle Blk 1 50 X 1 00
--	144334	Sealant, Tire (10 oz. tube)

NOTE: All component dimensions given in U.S. inches
1 inch = 25.4 mm

REPAIR PARTS

TRACTOR- -MODEL NO. BM155H92EJA

ENGINE



REPAIR PARTS

TRACTOR- -MODEL NO. BM155H92EJA

ENGINE

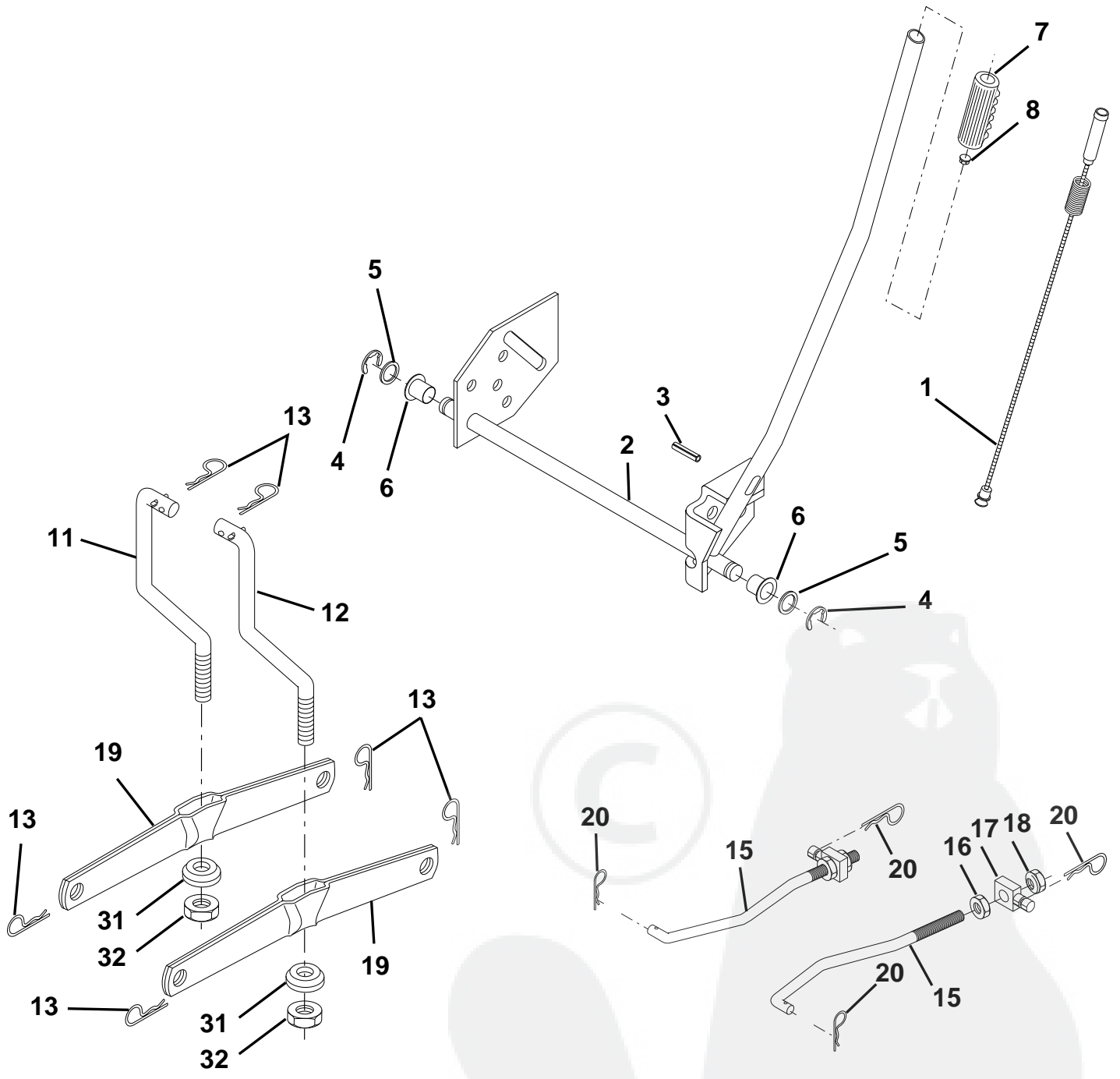
KEY NO.	PART NO.	DESCRIPTION
1	141359	Control Throt /Ch Lh
2	17720410	Screw Hex Thd Cut 1/4-20x5/8 T
3	-----	Engine Briggs Model 28U707 Order Parts from Engine Manufacturer
4	137352	Muffler Exhaust B&S Lt
13	165291	Gasket 1 313 Id Tin Plated
14	13280324	Nipple Pipe 3/8 Npt X 3"
15	13200300	Elbow Std 90 Degree 3/8-18 Npt
16	11050600	Washer Lock Ext Tooth 3/8
23	159880	Shield Browning/Debris Guard
29	137180	Arrestor Spark
31	161911	Tank Fuel 2.00 Fr
32	140527	Cap Asm Fule Top Vent N/Lany
33	123487X	Clamp Hose Blk
35	17490512	Screw, Thdrol 5/16-18 x 3/4 Tyt
37	137040	Line Fuel 20"
38	-----	Plug Oil Drain (Order From Engine Manufacturer)
44	17490412	Screw Hexwsh Thdrol 1/4-20x3/4
46	19091416	Washer 9/32 X 7/8 X 16ga
62	10040500	Washer Lock Hvy Hlcl Spr 5/16
66	127951	Stop Throttle 3000 Rpm
72	71070512	Screw Hexhd Cap 5/16-18x3/4
78	17490620	Screw Thdrol 3/8-16x1-1/4 Tytt
81	128861	Nut Flange 1/4-20 Starter Nut

NOTE: All component dimensions given in U.S. inches
1 inch = 25.4 mm

REPAIR PARTS

TRACTOR- -MODEL NO. BM155H92EJA

MOWER LIFT



REPAIR PARTS

TRACTOR- -MODEL NO. BM155H92EJA

MOWER LIFT

KEY NO.	PART NO.	DESCRIPTION
1	159460	Washer Asm Inner Spring W/ Plunger
2	159471	Shaft Asm. Lift
3	105767X	Pin Groove
4	12000002	E Ring #5133-62
5	19211621	Washer 21/32 x 1 x 21 Ga.
6	120183X	Bearing Nylon
7	109413X	Grip Handle
8	124526X	Button Plunger Black
11	165829	Link Asm Lift L.H.
12	165831	Link Asm Lift R.H.
13	4939M	Retainer Spring
15	127218	Link Front
16	73350800	Nut Jam Hex 1/2-13 Unc
17	130171	Trunnion Blk Zinc
18	73680800	Nut Crownlock 1/2-13 Unc
19	139868	Arm Suspension Mower
20	163552	Retainer Spring
31	140302	Bearing, Pvt. Lift. Spherical
32	73540600	Nut Crownlock 3/8-24

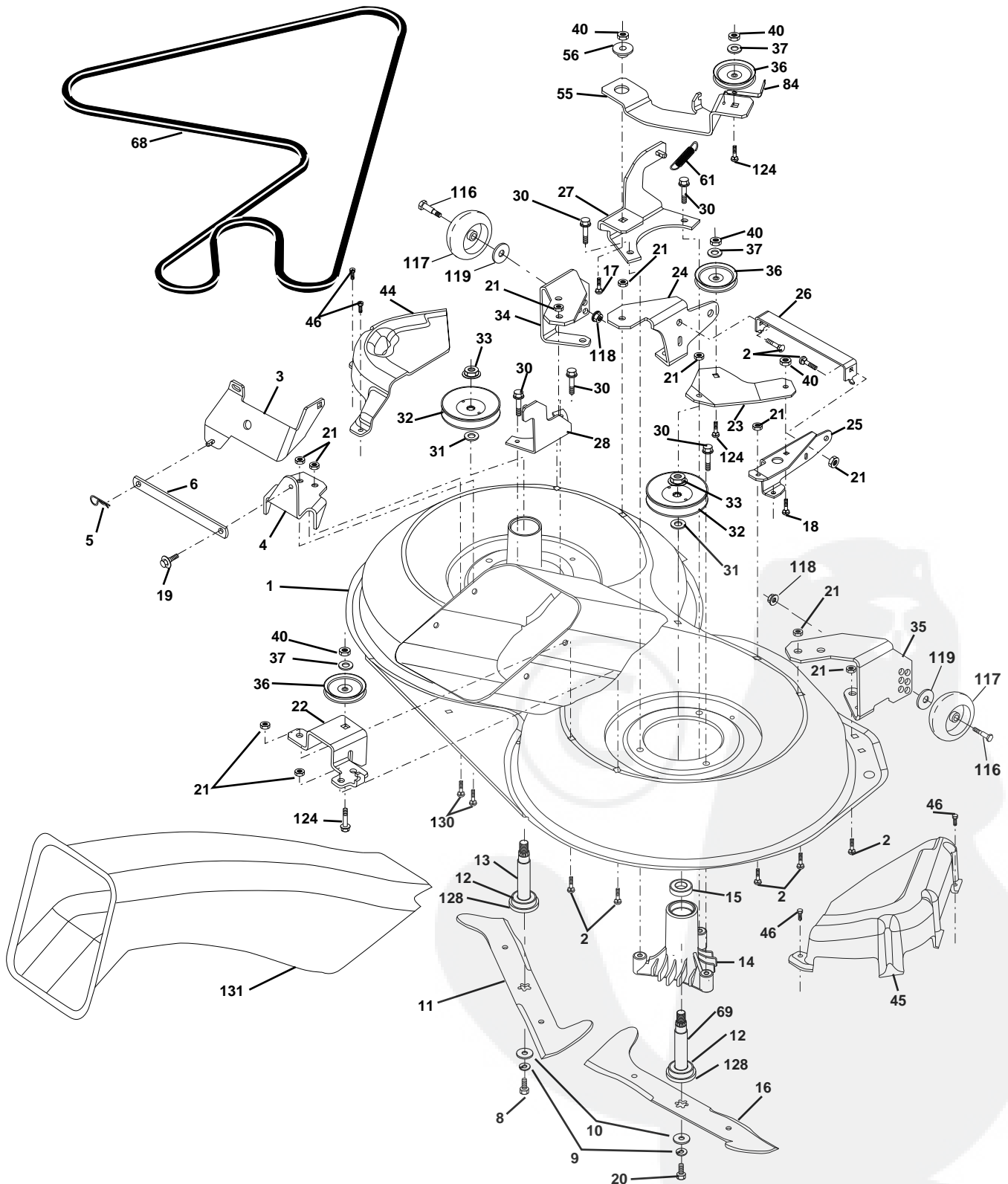
NOTE: All component dimensions given in U.S. inches
1 inch = 25.4 mm



REPAIR PARTS

TRACTOR- -MODEL NO. BM155H92EJA

MOWER



REPAIR PARTS

TRACTOR- -MODEL NO. BM155H92EJA

MOWER

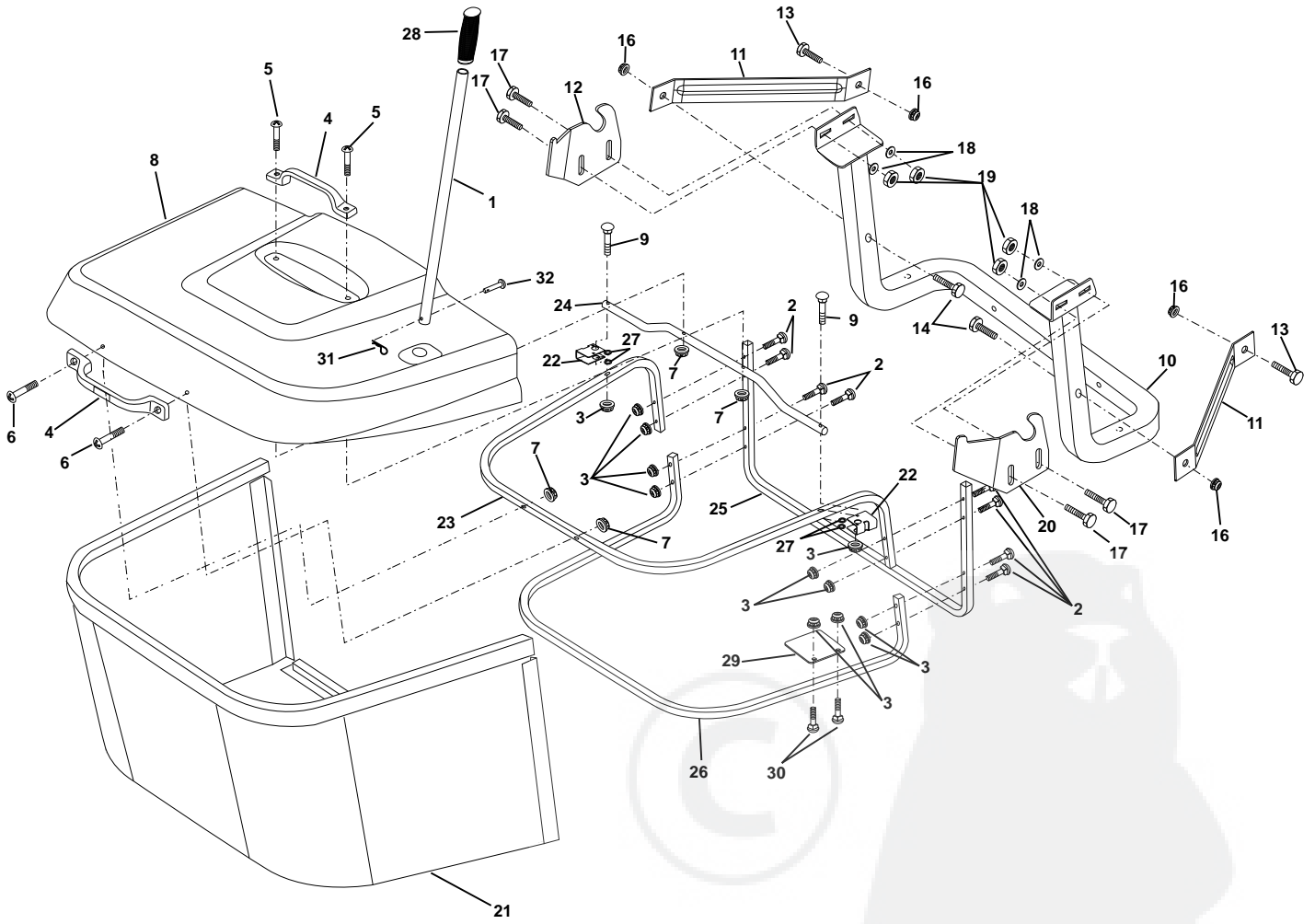
KEY NO.	PART NO.	DESCRIPTION	KEY NO.	PART NO.	DESCRIPTION
1	165552	Housing Asm. Mower 92 CRD	33	137266	Nut Flg Top Lock Cntr B 9/16
2	72140506	Bolt Rdhd Sqnk 5/16-18 Unc x 3/4	34	165239	Bracket Gauge Wheel Lf 92 CRD
3	165569	Bracket Asm. S-Bar Chass 92 CRD	35	165238	Bracket Gauge Wheel Rf 92 CRD
4	165558	Bracket Bar Sway Deck 92 CRD	36	146763	Pulley Idler V-Groove Dim 4.25
5	4939M	Retainer Spring	37	19131316	Washer 11/32 x 13/16 x 16 Ga
6	165557	Bar Sway 92 CRD	40	73680600	Nut Crownlock 3/8-16 Unc
8	850857	Bolt 3/8-24 x 1.25 Gr8 Patched	44	165724	Cover Mandrel Lh 92 CRD
9	10030600	Washer Lock Hvy 3/8 Unplated	45	165556	Cover Mandrel Rh 92 CRD
10	140296	Washer Hard Blade Mower vented	46	137729	Screw Thd Roll 1/4-20 x 5/8
11	165560	Blade 3-1 Lh 92 CRD	55	165445	Arm Idler 92 CRD
12	129895	Bearing Ball #6204 (Mandrel)	56	122052X	Spacer Retainer PM Mower
13	137645	Shaft Asm. W/Lower Bearing	61	165945	Spring Tension Belt
14	128774	Housing Mandrel Vented (Machd)	68	165555	Hex-Belt 92 Mower 105AA
15	110485X	Bearing Ball Mandrel	69	165482	Shaft Asm W/Lwr Brg Rh Thd CRD
16	165561	Blade 3-1 Rh 92 CRD	84	156085	Keeper Belt Idler
17	72140610	Bolt Carriage 3/8-16 x 1-1/4	116	137644	Bolt Shoulder
18	72110608	Bolt Rdhd Sqnk 3/8-16 x 1 Gr5	117	133957	Wheel Gage Donut Wide
19	132827	Bolt Shoulder 5/16-18 Thd Form	118	73930600	Nut Centerlock 3/8-16 Unc
20	165484	Bolt 3/8-24 x 1.25 Gr8 Ptch Lhthd	119	19121414	Washer 3/8 x 7/8 x 14 Ga.
21	73680500	Nut Crown Lock 5/16-18	124	72110612	Bolt Carr Sh 3/8-16 x 1-1/2 Gr5
22	165243	Bracket Idler Sprt RR 92 CRD	128	153390	Washer Felt
23	165446	Bracket Idler Sprt RF 92 CRD	130	72110506	Bolt Rdhdsqnk 5/16-18 Unc x 3/4
24	165242	Bracket Suspension LF 92 CRD	131	165661	Chute Bagger CRD 92cm
25	165244	Bracket Suspension RF 92 CRD	--	130794	Mandrel Asm Service
26	165237	Brace Support Susp Frt CRD	--	165579	Mandrel Asm CRD Lh Threads SVC
27	165568	Bracket Asm. Susp RR 92 CRD	--	165578	Deck Mower Complete
28	165567	Bracket Asm. Susp LR 92 CRD			
30	157722	Screw Thd Rolling Washer Head			
31	129963	Washer Spacer Mower Vented			
32	153531	Mandrel Pulleys 36 & 46			

NOTE: All component dimensions given in U.S. inches
1 inch = 25.4 mm

REPAIR PARTS

TRACTOR- -MODEL NO. BM155H92EJA

BAGGER



REPAIR PARTS

TRACTOR- -MODEL NO. BM155H92EJA

BAGGER

KEY NO.	PART NO.	DESCRIPTION
1	165249	Tube Handle Bagger CRD
2	72140416	Bolt Carriage 1/4-20 x 2.0 Gr.5
3	123976X	Nut Lock 1/4 Lge Flg Gr. 5 Zinc
4	165693	Handle Grab Plastic Black
5	74981024	Screw Pan Head #10-24 x 1.50 Blk
6	74981032	Screw Pan Hd
7	59931	Nut Lock #10-24 Flg Gr.5 Zinc
8	165715X558	Cover Bagger Plastic CRD MS422
9	72140418	Bolt Carriage 1/4-20 x 2.25d x Gr.5
10	165716	Support AsmWldmnt Bagger CRD
11	165719	Bracket Support Upper Bag CRD
12	165735	Bracket Pivot Bagger Lh CRD
13	72110606	Bolt Rdhd Sht Sqnk 3/8-16 x 3/4
14	74520640	Bolt Hex 3/8-16 x 2-1/2 Gr.5
15	19132016	Washer 13/32 x 1-1/4 x 16 Ga.
16	73900600	Nut Lock Flg 3/8-16 Unc
17	72140506	Bolt Rdhd Sht Sqnk 5/16 -18 Unc x 3/4
18	19112016	Washer 11/32 x 1.25 x 16 Ga.
19	73800500	Nut Lock Hex W/Ins 5/16-18 Unc Pl
20	165736	Bracket Pivot Bagger RH CRD
21	165780	Bag Asm CRD
22	165781	Bracket Side Bagger CRD
23	165782	Tube Upper Bagger CRD
24	165783	Tube Pivot Bagger CRD
25	165784	Tube Front Bagger CRD
26	165785	Tube Lower Bagger CRD
27	165786	Grommet Extruded Cut1/8
28	165787	Grip Handle Black
29	165839	Plate Stop Bagger handle CRD
30	72140410	Bolt Carriage 1/4-20 x 1 Gr.5
31	4497H	Retainer Spring 1" Zinc/Cad
32	126875X	Rivet Rd Hd Drilled 3/8 Dia

NOTE: All component dimensions given in U.S. inches
1 inch = 25.4 mm

SERVICE NOTES



SERVICE NOTES

