

## LIMITED WARRANTY

The Manufacturer warrants to the original consumer purchaser that this product as manufactured is free from defects in materials and workmanship. For a period of one (1) year from date of purchase by the original consumer purchaser, we will repair or replace, at our option, without charge for parts or labor incurred in replacing parts, any part which we find to be defective due to materials or workmanship. This Warranty is subject to the following limitations and exclusions.

1. This warranty does not apply to the engine. Please contact your nearest Bricomarché dealer where they will send the machine to the engine manufacturer.
2. Transportation charges for the movement of any power equipment unit or attachment are the responsibility of the purchaser. Transportation charges for any parts submitted for replacement under this warranty must be paid by the purchaser unless such return is requested by Bricomarché.
3. Battery Warranty: On products equipped with a Battery, we will replace, without charge to you, any battery which we find to be defective in manufacture, during the first ninety (90) days of ownership. After ninety (90) days, we will exchange the Battery, charging you 1/12 of the price of a new Battery for each full month from the date of the original sale. Battery must be maintained in accordance with the instructions furnished.
4. The Warranty period for any products used for rental or commercial purposes is limited to 90 days from the date of original purchase.
5. This Warranty applies only to products which have been properly assembled, adjusted, operated, and maintained in accordance with the instructions furnished. This Warranty does not apply to any product which has been subjected to alteration, misuse, abuse, improper assembly or installation, delivery damage, or to normal wear of the product.
6. Exclusions: Excluded from this Warranty are belts, blades, blade adapters, normal wear, normal adjustments, standard hardware and normal maintenance.
7. In the event you have a claim under this Warranty, please contact your nearest Bricomarché dealer.

Should you have any unanswered questions concerning this Warranty, please contact:

SERVICE CONSOMMATEURS  
BP443  
91164 LONGJUMEAU cedex  
France

giving the model number, serial number and date of purchase of your product and the name and address of the authorized dealer from whom it was purchased.

THIS WARRANTY DOES NOT APPLY TO INCIDENTAL OR CONSEQUENTIAL DAMAGES. ANY IMPLIED WARRANTIES ARE LIMITED TO THE SAME TIME PERIODS STATED HEREIN.

This is a limited Warranty within the meaning of that term as defined in the Magnuson-Moss Act of 1975.



**BESTGREEN**



**REPAIR PARTS MANUAL**  
**MODEL NO. BM125M92EJA**  
**Lawn Tractor**

---

***BESTGREEN***

# HOW TO USE THIS MANUAL

This manual is designed to provide the customer with a means to identify the parts on his/her tractor when ordering repair parts. The illustrations may or may not represent the actual assemblies; therefore, it is not recommended to use this manual as a guide to assemble or disassemble the tractor. Some hardware and parts are drawn larger in order to more readily identify them.

Each tractor has its own model number.

The model number for your tractor can be found on the fender under the seat.

When ordering parts, always give the following information:

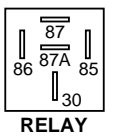
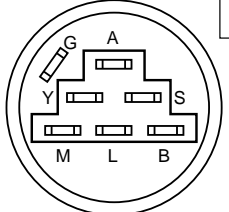
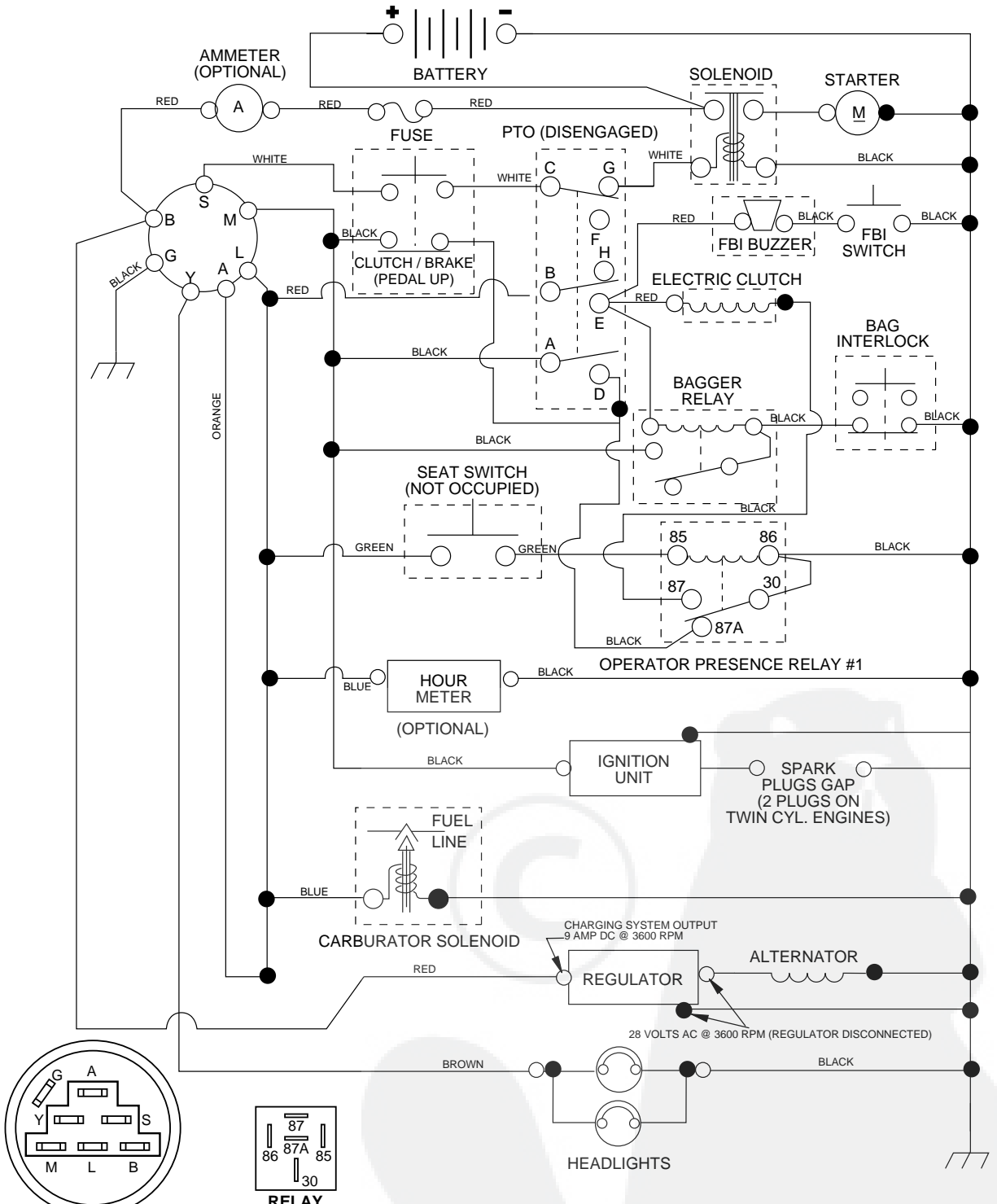
- Product - "Tractor"
- Model Number - "BM125M92EJA"
- Part Number
- Part Description

## TABLE OF CONTENTS

SCHEMATIC .....	3
ELECTRICAL .....	4-5
CHASSIS .....	6-7
DRIVE .....	8-9
STEERING .....	10-11
SEAT .....	12
DECALS .....	13
ENGINE .....	14-15
MOWER LIFT .....	16-17
MOWER DECK .....	18-19
BAGGER .....	20-21

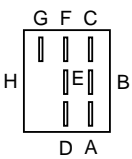
# TRACTOR- -MODEL NO. BM125M92EJA

## SCHEMATIC



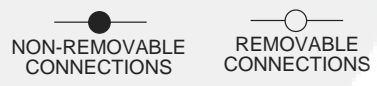
**IGNITION SWITCH**

POSITION	CIRCUIT	"MAKE"
OFF	G + M + L	NONE
RUN/LIGHT	B + L	A + Y
RUN	B + L	NONE
START	B + L + S	NONE



**PTO SWITCH**

POSITION	CIRCUIT
OFF	C + G, B + H
ON	C + F, B + E, A + D

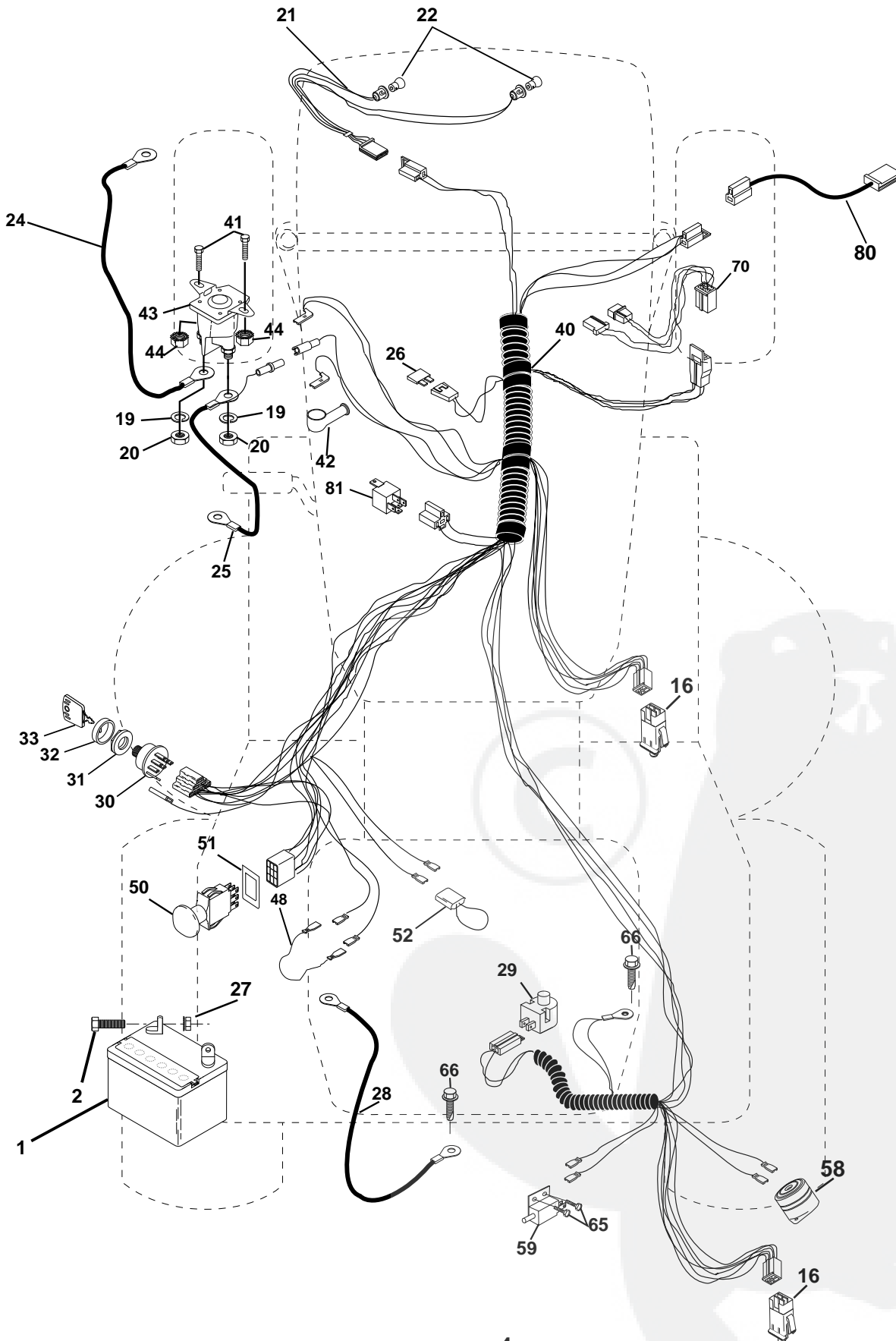


**WIRING INSULATED CLIPS**  
 NOTE: IF WIRING INSULATED CLIPS WERE REMOVED FOR SERVICING OF UNIT, THEY SHOULD BE REPLACED TO PROPERLY SECURE YOUR WIRING.

# REPAIR PARTS

## TRACTOR- -MODEL NO. BM125M92EJA

### ELECTRICAL



# REPAIR PARTS

## TRACTOR- -MODEL NO. BM125M92EJA

### ELECTRICAL

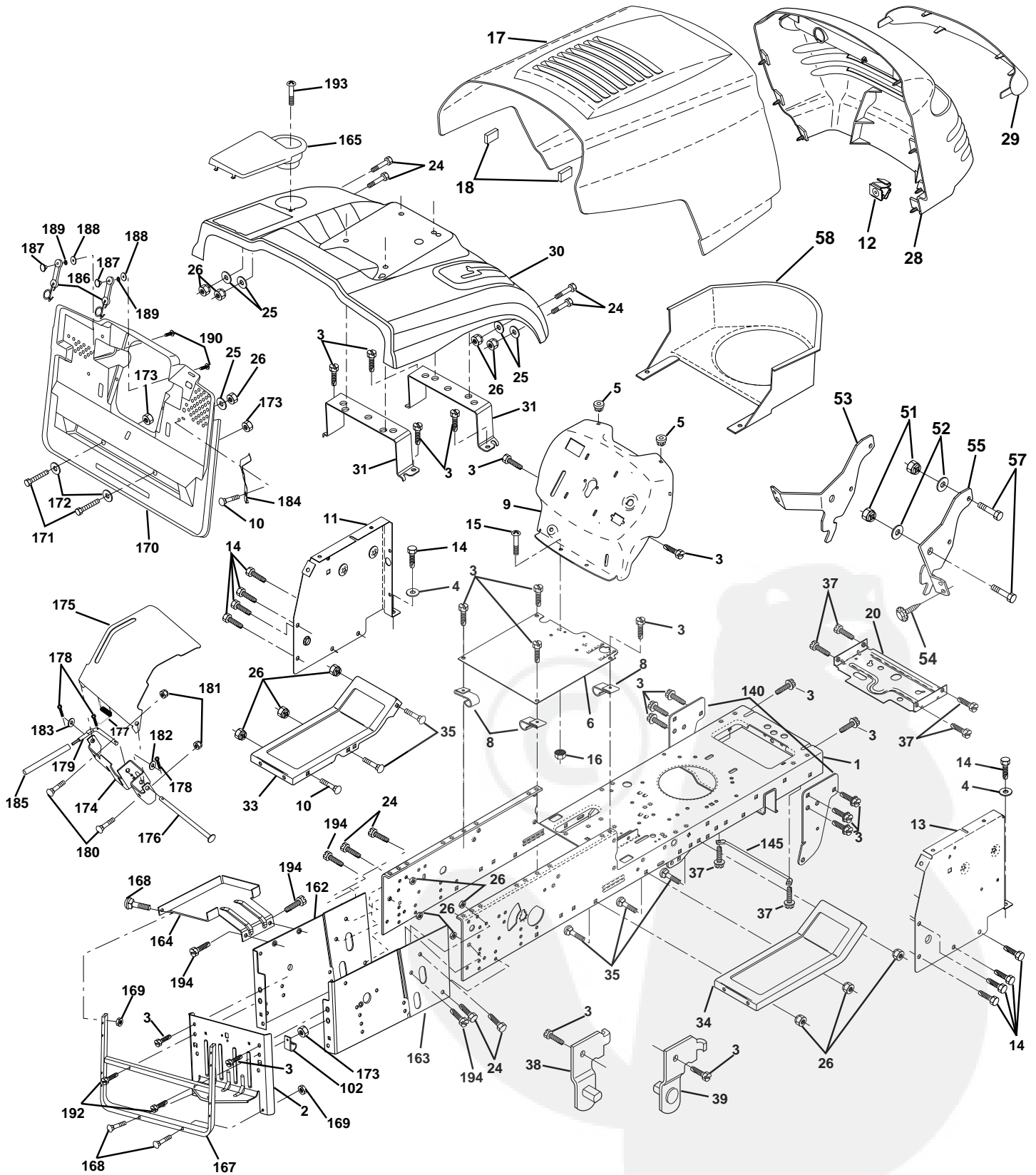
KEY NO.	PART NO.	DESCRIPTION
1	144925	Battery 12 Volt 25 AMP Wet
2	74760412	Bolt Hex Hd 1/4-20 Unc X 3/4
16	153664	Switch Interlock Push-In
19	10090400	Washer Lock 1/4
20	73350400	Nut Jam Hex 1/4-20 Unc
21	166181	Harness Asm Light W/4152J
22	4152J	Bulb Light #1156
24	4799J	Cable Starter 6Ga 11" Red
25	165987	Cable Battery Crd 56" Red
26	166180	Fuse 15 Amp
27	73510400	Nut Keps Hex 1/4-20 Unc
28	127725X	Cable Ground 6Ga 18" Black
29	160784	Switch Plunger Normal Op Olive
30	140301	Switch Ignition 4Pos W/Lights
31	124211X	Nut Ignition #125
32	141226	Cover Switch Ignition #121
33	122147X	Key Ign Molded Indak
40	166158	Harness Ign Crd Elect
41	71110408	Bolt Flk Fin Hex 1/4-20 Unc X 1/2
42	131563	Cover Terminal Red
43	145673	Solenoid
44	73640400	Nut Keps Blk Hex 1/4-20 Unc
48	140844	Adapter Ammeter Rectangular
50	154959	Switch PTO 3PDT Black Delta 96
51	140405	Ring Retainer PTO
52	141940	Protection Wire Loop
58	165943	Buzzer Crd
59	166299	Switch FBI CRD
65	17211008	Screw Slftp #10-16 x 1/2 Ty-Ab
66	17490608	Screw Thdrol 3/8-16 x 1/2 Ty-Tt
70	166668	Harness Engine B&S Reg W/AFTS0
80	146685	Harness Clutch EVX
81	109748X	Relay Asm

**NOTE:** All component dimensions given in U.S. inches.  
1 inch = 25.4 mm.

# REPAIR PARTS

## TRACTOR- -MODEL NO. BM125M92EJA

### CHASSIS AND ENCLOSURES



# REPAIR PARTS

## TRACTOR- -MODEL NO. BM125M92EJA

### CHASSIS AND ENCLOSURES

KEY NO.	PART NO.	DESCRIPTION
1	165480	Chassis Assembly
2	165606	Drawbar
3	17490612	Screw, Thd. Roll. 3/8-16 x 3/4
4	19131216	Washer 13/32 x 3/4 x 16 Gauge
5	155272	Bumper Hood/Dash
6	155923	Saddle
8	126471X	Clip Insulator 13/32 Mtg. Hole
9	147631X011	Dash
10	72140608	Bolt, Carriage 3/8-16 x 3/4
11	155927	Panel, Dash, L.H.
12	145660	Clip, Tinnerman Grille P/L
13	155934X010	Panel, Asm. Dash R.H.
14	17490608	Screw Thdrol 3/8-16 x 1/2
15	74180512	Screw, Machine, Truss Head 5/16-18 UNC x 3/4
16	73510500	Nut
17	159639X428	Hood Assembly
18	126938X	Bumper Hood
20	156437	Plate Mtg. Battery/Fuel Tank
24	74780616	Bolt
25	19131312	Washer 13/32 x 13/16 x 12 Gauge
26	73800600	Nut
28	157373	Grille PL
29	140273X599	Lens, Grille
30	165714X424	Fender
31	165156	Bracket, Fender Support
33	145244X424	Footrest, L.H.
34	145243X424	Footrest, R.H.
35	72110606	Bolt
37	17490508	Screw Thdrol 5/16-18 x 1/2 TYT
38	139886	Pivot Bracket Assembly, L.H.
39	139887	Pivot Bracket Assembly, R.H.
51	73800400	Nut Lock w/Insert 1/4-20 UNC
52	19091416	Washer 9/32 x 7/8 x 16 Ga.
53	144697	Bracket, Grille LH
54	161464	Screw Hex WSHD 8-18 x 7/8
55	144696	Bracket, Grille RH
57	74780412	Bolt, Fin Hex 1/4-20 UNC x .75

KEY NO.	PART NO.	DESCRIPTION
58	150127	Duct Air Engine PI/Lt
102	2751R	Clip Fuel Line
125	74180412	Screw Mach Cr. 1/4-20 x 3/4
140	158418	Bracket Front Suspension
145	156524	Rod Pivot Chassis/Hood
148	17490620	Screw Thdrol 3/8-16 x 1-1/4 TY-TT
162	165672	Bracket Exten Chassis Lh CRD
163	165673	Bracket Exten Chassis Rh CRD
164	165605	Support Battery CRD
165	165742X428	Cover Battery CRD Lt
167	165779	Support Asm. Backplate W/LDMNT
168	72050412	Bolt, RDHD SHT NK 1/4-20 x 1-1/2
169	123976X	Nut, Lock 1/4 LGE FLG Gr. 5 Zinc
170	165607	Cover, Backplate Plastic Black
171	74520640	Bolt, Hex 3/8-16 x 2-1/2 Gr. 5
172	19132016	Washer 13/32 x 1-1/4 x 16 Ga.
173	73510600	Nut, Keps Hex 3/8-16 UNC
174	165939	Bracket Switch FBI CRD
175	166212	Guard Door Rear CRD
176	128600	Pin Hinge Pivot
177	132796	Spring Bagger Top LH Black
178	76020312	Pin Cotter 3/32 x 3/4 Cad Zinc
179	165942	Rod Pivot FBI CRD
180	74760516	Bolt Hex HD 5/16-18 UNC x 1
181	73680500	Nut Crownlock 5/16-18
182	138200	Washer .385 x .625 x 11 Ga.
183	19131316	Washer 13/32 x 13/16 x 16 Ga.
184	166139	Bracket Actuator Bagger CRD
185	165940	Tube Lever Switch FBI CRD
186	160793	Latch Asm Mulch
187	2029J	Nut Weld .327/.304 # 10-24
188	19061216	Washer #10
189	10071000	Washer Lock #10
190	71161010	Screw Truss Hd Phil 10-24 x 5/8
193	17720410	Screw Hex Thd. Cut 1/2 x 20 x 5/8
--	5479J	Plug, Button

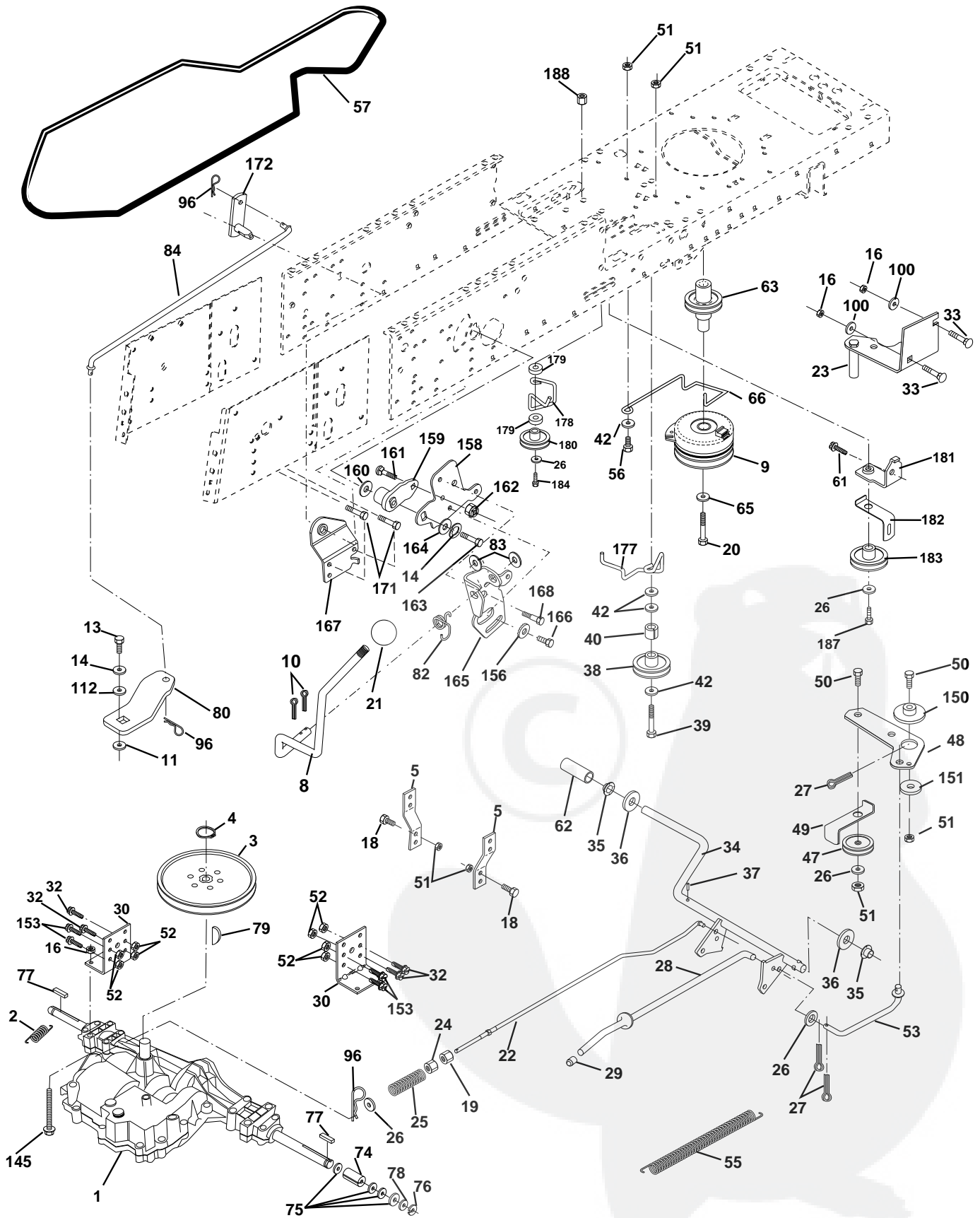
**NOTE:** All component dimensions given in U.S. inches.  
1 inch = 25.4 mm.



# REPAIR PARTS

## TRACTOR- -MODEL NO. BM125M92EJA

### DRIVE



# REPAIR PARTS

## TRACTOR- -MODEL NO. BM125M92EJA

### DRIVE

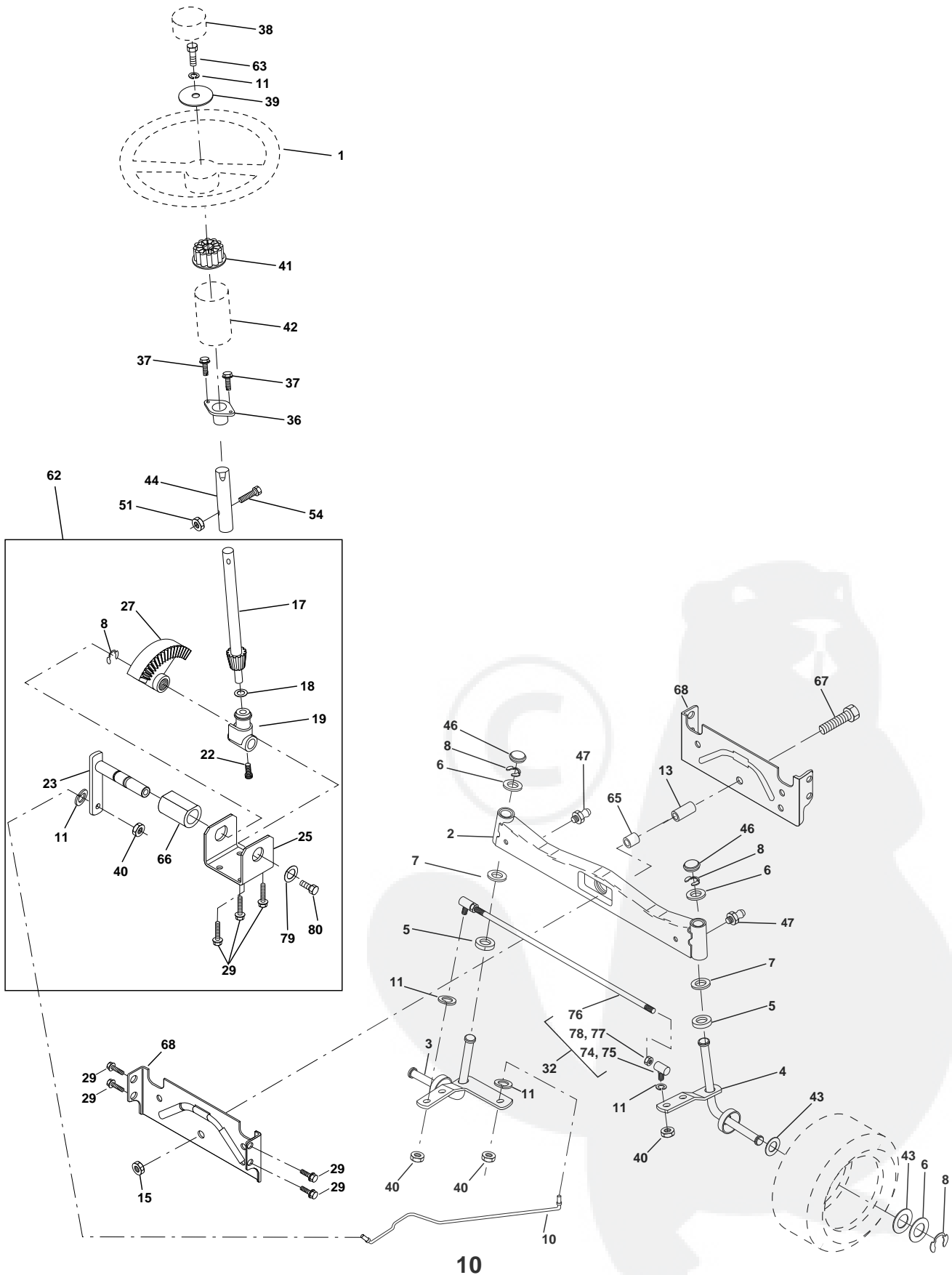
KEY NO.	PART NO.	DESCRIPTION	KEY NO.	PART NO.	DESCRIPTION
1	-----	Transaxle Peerless Model 206-546 Order parts from transaxle manufacturer	62	8883R	Cover Pedal Blk Round
2	146682	Spring Return Brake	63	145868	Pulley, Clutch Elect
3	165999	Pulley Transaxle 7"	65	10040700	Washer Lock Hvy Hlcl Spr 7/16
4	12000028	Ring Retainer # 5100-62	66	154778	Keeper Belt Engine F-Proof
5	121520X	Strap Torque 30 Degrees	74	137057	Spacer Axle
8	165619	Rod Shift Fender Adjust LT	75	121749X	Washer 25/32 X 1 1/4 X 16 Ga
9	167162	Clutch Ele EVX 80 W/Hard Brake	76	12000001	E-ring #5133-75
10	76020416	Pin Cotter 1/8 X 1 Cad	77	123583X	Key Square 2.0 X .1845/ .1865
11	105701X	Washer Plate Shf .388 Sq Hole	78	121748X	Washer 25/32 X 1-5/8 X 16 Ga
13	74550412	Bolt 1/4-28 Unf Gr 8 W/Patch	79	2228M	Key Woodruff #9 3/16 x 3/4
14	10040400	Washer Lock Hvy Helical 1/4	80	145090	Arm Shift Pmst 20" Tires
16	73800500	Nut Lock Hex w/Ins 5/16-18 Unc Pl	82	123782X	Spring, Torsion T/A
18	74780616	Bolt, Fin Hex 3/8-16 x 1 Gr. 5	83	19171216	Washer 17/32 x 3/4 x 16 Ga.
19	73800600	Nut Lock 3/8-16 Unc	84	165621	Link Shift CRD PMST 20"
20	150280	Bolt, Hex 7/16-20 x 4-1/4 5 Ga 1.38	96	4497H	Retainer Spring 1" Zinc/Cad
21	106933X	Knob Rd 1/2-13 Plstc. Thds Black	100	19111216	Washer 11/32 x 3/4 x 16 Ga.
22	165811	Rod Brake PPMST CRD	112	19091210	Washer 9/32 x 3/4 x 10 Ga.
23	154978	Bracket Asm Clutch Mtg. EVX 97	145	74490540	Bolt Hex Flghd 5/16-18 x Gr. 5
24	73350600	Nut Hex Jam 3/8-16 Unc	150	165850	Bushing Bellcrank Grd Drive
25	106888X	Spring Rod Brake 2.00 Zinc	151	19133210	Washer 13/32 x 2 x 10 Ga.
26	19131316	Washer 13/32 X 13/16 X 16 Ga	153	74760516	Bolt Hex Hd 5/16-18unc x 1
27	76020412	Pin Cotter 1/8 X 3/4 Cad	156	166002	Washer Srrtd 5/16 ID x 1.0 x .125 Tk
28	145204	Rod Brake Parking LT/YT	158	165589	Bracket Shift Mount
29	71673	Cap Brake Parking BLACK	159	165494	Hub Tapered Flange Shift Lt
30	130807	Bracket Mtg Transaxle	160	19292016	Washer 29/32 x 1-1/4 x 16 Ga.
32	74760512	Bolt Hex Hd 5/16-18unc X 3/4	161	72140406	Bolt Rdhd Sqnk 1/4-20 x 3/4 Gr 5
33	72140506	Bolt Rdhd Sqnk 5/16-18 Unc x 3/4	162	73680400	Nut Crownlock 1/4-20 Unc
34	165496	Shaft Asm Pedal Foot Crd	163	74780416	Bolt Hex Fin 1/4-20 Unc x 1 Gr 5
35	120183X	Bearing Nylon Blk .629 Id	164	19091010	Washer 5/8 x .281 x 10 Ga.
36	19211616	Washer 21/32 X 1 X 16 Ga	165	165623	Bracket Pivot Lever
37	1572H	Pin Roll 3/16 X 1"	166	166880	Screw 5/16-18 x 5/8 Tt Yellow
38	165936	Pulley Flat Composite 3.06"	167	165588	Bracket Support Shift CRD
39	74760644	Bolt Fin Hex 3/8-16unc X 2-3/4	168	165492	Bolt Shoulder 5/16-18 x .561 Tt
40	4470J	Spacer Split .395 X .59 Bzp	171	17490608	Screw Thdrol 3/8-16 x 1/2 Ty-Tt
42	19131312	Washer 13/32 X 13/16 X 12 Ga	172	165635	Shaft Asm. Shift Front Crd Pmst
47	127783	Pulley Idler V Groove Plastic	177	165932	Keeper Flat Idler 3.06"CRD
48	154407	Bellcrank Clutch Grnd Drive	178	165933	Keeper Belt Idler 1.88" CRD
49	123205X	Retainer Belt Style Spring	179	120958X	Washer Sintered
50	74760624	Bolt Hex Hd 3/8-16unc X 1-1/2	180	165630	Pulley Flat Idler 1.88" CRD
51	73680600	Nut Crownlock 3/8-16 Unc	181	165797	Bracket Idler Ground Drive CRD
52	73680500	Nut Crownlock 5/16-18	182	165634	Keeper Belt 2.5" Od V-Idler CRD
53	105710X	Link Clutch 7.66	183	165626	Pulley V-Idler 2.50" Od CRD
55	105709X	Spring Return Clutch 6.75	184	17490644	Screw Thdrol. 3/8-16 x 1-1/2 Ty-Tt
56	74760620	Bolt Fin Hex 3/8-16unc X 1-1/4	187	17490620	Screw Thdrol 3/8-16 x 1 -1/2
57	165631	V-Belt Kev 111" Pmst Crd	188	110436X	Bushing Snap Split Blk
61	17490612	Screw Thdrol 3/8-16 x 3/4 Ty-Tt			

**NOTE:** All component dimensions given in U.S. inches  
1 inch = 25.4 mm

# REPAIR PARTS

## TRACTOR- -MODEL NO. BM125M92EJA

### STEERING ASSEMBLY



# REPAIR PARTS

## TRACTOR- -MODEL NO. BM125M92EJA

### STEERING ASSEMBLY

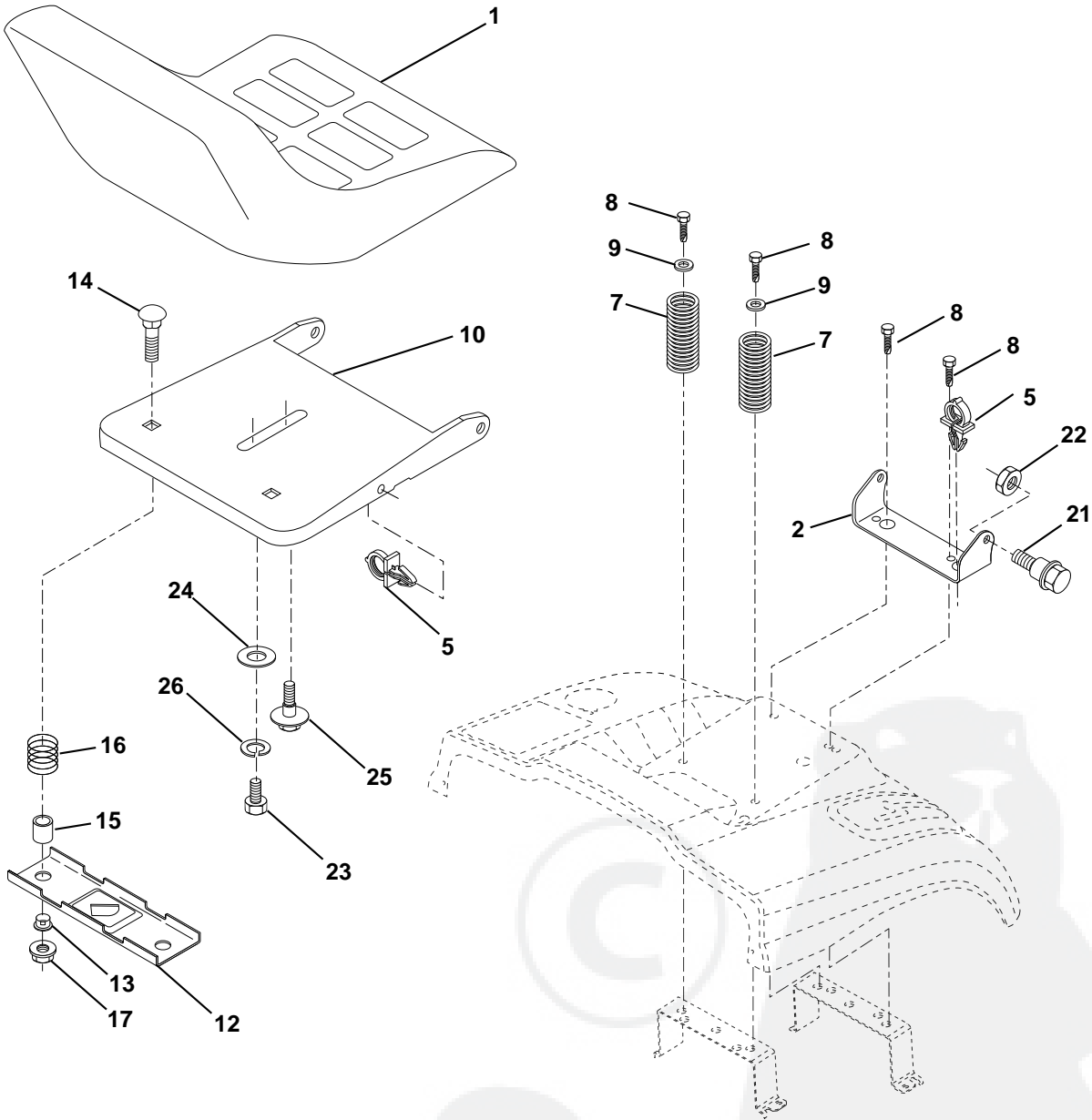
KEY NO.	PART NO.	DESCRIPTION
1	140044	Steering Wheel
2	137094	Front Axle Assembly
3	157479	Spindle Assembly, L.H.
4	157478	Spindle Assembly, R.H.
5	6266H	Bearing, Race, Thrust, Hardened
6	121748X	Washer 25/32 x 1-5/8 x 16 Gauge
7	19272016	Washer 27/32 x 1-1/4 x 16 Gauge
8	12000029	Ring, Klip
10	154432	Link, Drag
11	10040600	Washer, Lock
13	167118	Spacer Axle
15	73901000	Nut, Lock, Flange 5/8-11 UNC
17	156546	Shaft Assembly, Steering
18	57079	Washer, Thrust .515 x .750 x .033
19	160395	Support, Shaft
22	165857	Screw Hex Wshhd Torx
23	165851	Pittman Shaft Assembly
25	154406	Bracket, Steering
27	136874	Gear, Sector
29	17490612	Screw, Thd., Roll. 3/8-16 x 3/4
32	137347	Rod, Tie
36	155099	Bushing, Steering
37	152927	Screw TT #10-32 x 5 x 3/8 Flange
38	140045	Cap Wheel Steering
39	19133808	Washer 13/32 x 2-3/8 x 8 Gauge
40	7810H	Nut Lock Center 3/8-24 Unf
41	100711L	Adaptor, Steering Wheel
42	145054	Boot, Steering Dash P/L Mtl
43	121749X	Washer 25/32 x 1-1/4 x 16 Gauge
44	153720	Extension Steering Non-Adjust
46	121232X	Cap, Spindle
47	6855M	Fitting, Grease
51	73800500	Nut Lock Hx W/Ins 5/16-18 UNC
54	74780520	Bolt Fin Hex 5/16-18 UNC x 1-1/4
62	167902	Kit, Steering Assembly, Service
63	74780616	Bolt Fin Hex 3/8-16 unc. x 1 Gr. 5
65	154780	Spacer Axle
66	154404	Bearing Arm Pittman
67	74781044	Bolt Fin Hex 5/8-11unc x 2-3/4
68	154429	Brace Axle
74	109850X	Joint Asm Ball Rh Service
75	109851X	Joint Asm Ball Lh Service
76	137156	Rod Tie Ball J Adj. VGT Service
77	73700600	Nut Hex Jam 3/8-24 Unf Lh
78	73360600	Nut Hex Jam 3/8-24
79	19132012	Washer 13/32 x 1-1/4 x 12 Ga
80	74950612	Bolt Hex Nylon 3/8-16 x 3/4
81	17490644	Screw Hex Wsh Thdrol 3/8-16 x 2-3/4

**NOTE:** All component dimensions given in U.S. inches.  
1 inch = 25.4 mm.

# REPAIR PARTS

## TRACTOR- -MODEL NO. BM125M92EJA

### SEAT ASSEMBLY



KEY NO.	PART NO.	DESCRIPTION
1	127427	Seat
2	140551	Bracket Pnt Pivot Seat (blk )
5	145006	Clip Push In Hinged
7	124181X	Spring Seat Cprsn 2 250 Blk Zi
8	17490616	Screw Thdrol 3/8-16 X 1 Ty-tt
9	19131614	Washer 13/32 X 1 X 14 Ga
10	155925	Pan Pnt Seat (blk )
12	121246X	Bracket Pnt Mounting Switch
13	121248X	Bushing Snap Blk Nyl 50 Id
14	72050412	Bolt Rdhd Sht Nk 1/4-20x1-1/2
15	134300	Spacer Split .28 X .96 Zinc

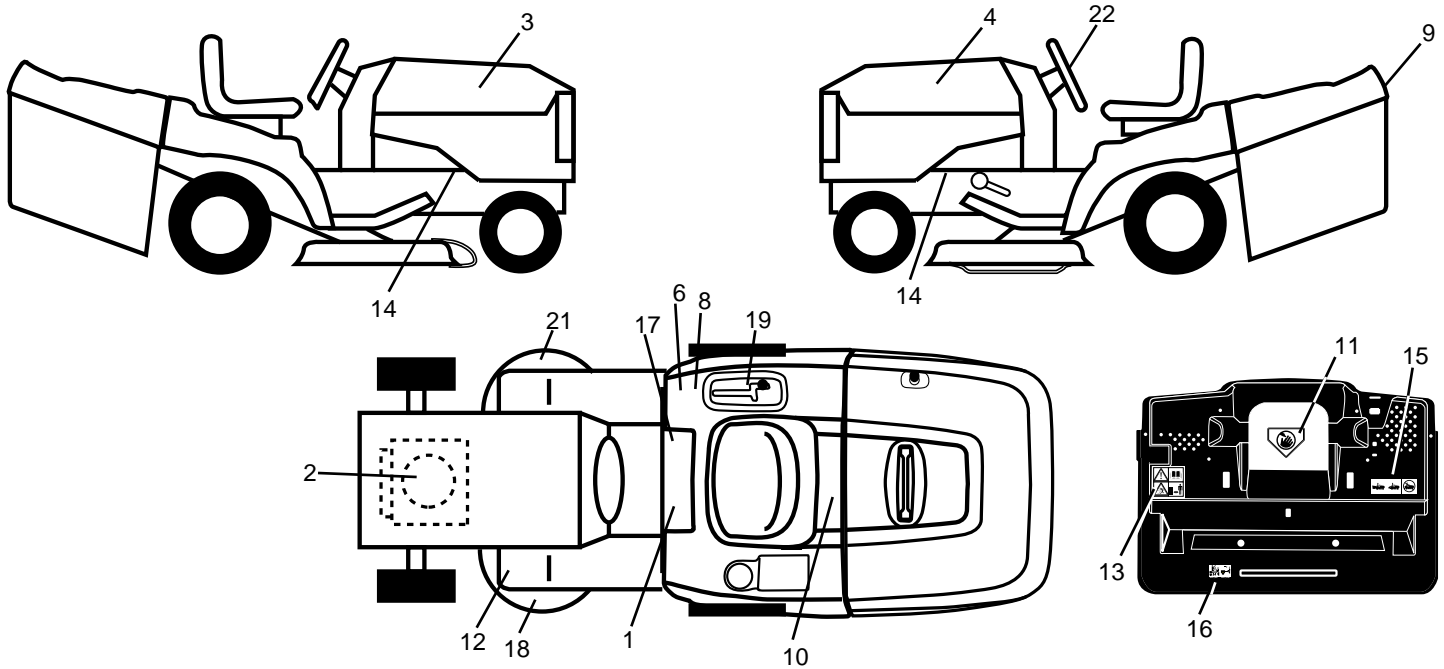
KEY NO.	PART NO.	DESCRIPTION
16	121250X	Spring Cprsn
17	123976X	Nut Lock 1/4 Lge Flg Gr 5 Zinc
21	153236	Bolt Shoulder 5/16-18 Unc-2A
22	73800500	Nut Hex Lock w/Ins 5/16-18
23	74780814	Bolt Fin Hex 1/2-13 x 7/8 Gr. 5
24	19171912	Washer 17/32 X 1-3/16 X 12 Ga.
25	127018X	Bolt Shoulder 5/16-18 X 62
26	10040800	Washer Lock Hvy Hlcl Spr 1/2

**NOTE:** All component dimensions given in U.S. inches.  
1 inch = 25.4 mm

# REPAIR PARTS

## TRACTOR- -MODEL NO. BM125M92EJA

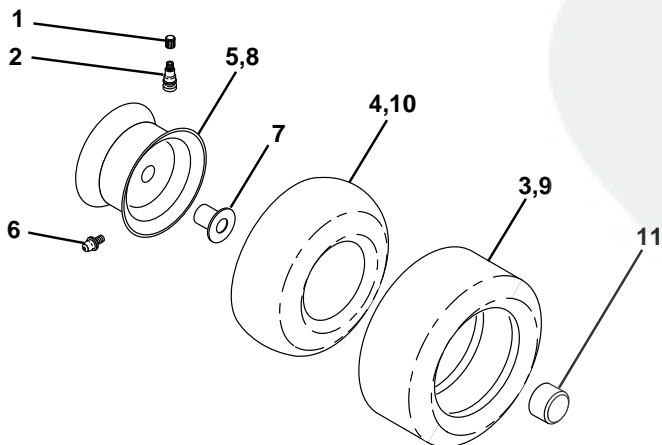
### DECALS



KEY NO.	PART NO.	DESCRIPTION
1	145498	Decal Read Owner's Manual Sym
2	168409	Decal Hp Engine
3	167601	Decal Hood Rh
4	167602	Decal Hood Lh
6	126187X	Decal 100 DBA
8	145437	Decal Europe Stand Ce
9	143001	Decal Fender Logo
10	145005	Decal Bat Dan/Poi P/L Sym Wp
11	145494	Decal Mower Cut Finger Symbol
12	159737	Decal Brake/Clutch Symbol Lt
13	166959	Decal Warn Back Plate CRD
14	159736	Decal Chassis Hot Muffler

KEY NO.	PART NO.	DESCRIPTION
15	166961	Decal Oper Bag Presence CRD
16	162598	Decal Drawbar Load Limit
17	140837	Decal Saddle Brake Parking
18	134999	Decal, Deck Enviro
19	167734	Decal Console Hydro CRD Black
21	166286	Decal Deck Sch 92 CRD
22	167637	Decal, Strg Whl
—	138311	Decal Lift Handle
—	131864	Pad Footrest
—	167679	Manual Operator's (Euro)
—	167680	Manual Operator's (Portugese)
—	167682	Manual Parts

### WHEELS & TIRES



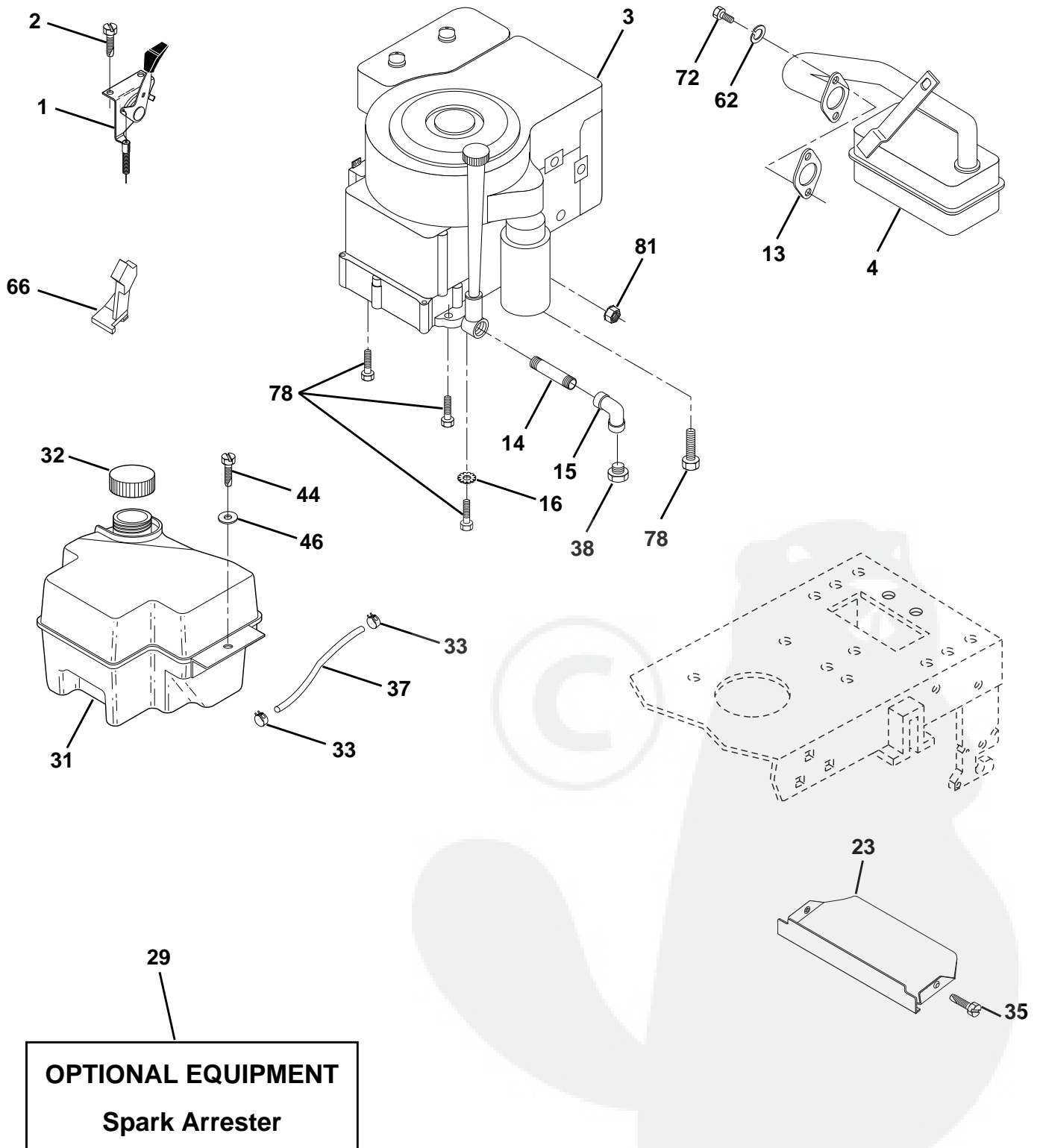
KEY NO.	PART NO.	DESCRIPTION
1	59192	Cap Value Tire
2	65139	Stem Value
3	106222X	Tire F Ts 15 X 6 0 - 6 Service
4	59904	Tube Inner Front #35060
5	106732X427	Rim Asm 6"front White Service
6	278H	Fitting Grease
7	9040H	Bearing Flange
8	106108X427	Rim Asm 8"rear White Service
9	124635X	Tire R Ts 18 x 8.5-8 Service
10	7152J	Tube Rear 9 5 X 8 Service
11	104757X	Cap Axle Blk 1 50 X 1 00
--	144334	Sealant, Tire (10 oz. tube)

**NOTE:** All component dimensions given in U.S. inches  
1 inch = 25.4 mm

# REPAIR PARTS

TRACTOR- -MODEL NO. BM125M92EJA

ENGINE



# REPAIR PARTS

## TRACTOR- -MODEL NO. BM125M92EJA

### ENGINE

KEY NO.	PART NO.	DESCRIPTION
1	141359	Control Throt /Ch Lh
2	17720410	Screw Hex Thd Cut 1/4-20x5/8 T
3	-----	Engine Briggs Model 287707 Order Parts from Engine Manufacturer
4	137352	Muffler Exhaust B&S Lt
13	165291	Gasket 1 313 Id Tin Plated
14	13280324	Nipple Pipe 3/8 Npt X 3"
15	13200300	Elbow Std 90 Degree 3/8-18 Npt
16	11050600	Washer Lock Ext Tooth 3/8
23	159880	Shield Browning/Debris Guard
29	137180	Arrestor Spark
31	161911	Tank Fuel 2.00 Fr
32	140527	Cap Asm Fule Top Vent N/Lany
33	123487X	Clamp Hose Blk
35	17490512	Screw, Thdrol 5/16-18 x 3/4 Tyt
37	137040	Line Fuel 20"
38	-----	Plug Oil Drain (Order From Engine Manufacturer)
44	17490412	Screw Hexwsh Thdrol 1/4-20x3/4
46	19091416	Washer 9/32 X 7/8 X 16ga
62	10040500	Washer Lock Hvy Hlcl Spr 5/16
66	127951	Stop Throttle 3000 Rpm
72	71070512	Screw Hexhd Cap 5/16-18x3/4
78	17490620	Screw Thdrol 3/8-16x1-1/4 Tytt
81	128861	Nut Flange 1/4-20 Starter Nut

**NOTE:** All component dimensions given in U.S. inches  
1 inch = 25.4 mm

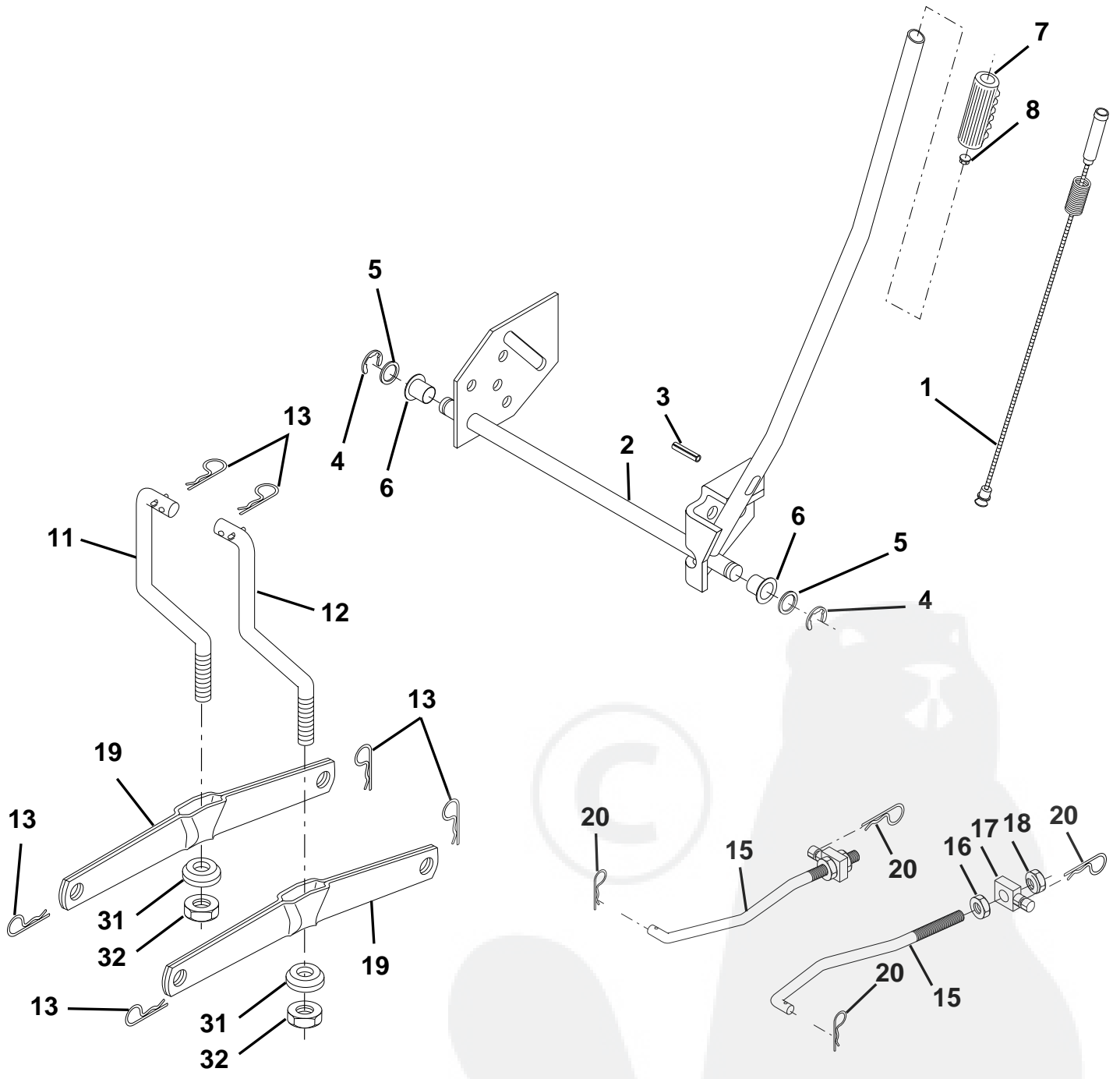




# REPAIR PARTS

TRACTOR- -MODEL NO. BM125M92EJA

## MOWER LIFT



# REPAIR PARTS

## TRACTOR- -MODEL NO. BM125M92EJA

### MOWER LIFT

KEY NO.	PART NO.	DESCRIPTION
1	159460	Washer Asm Inner Spring W/ Plunger
2	159471	Shaft Asm. Lift
3	105767X	Pin Groove
4	12000002	E Ring #5133-62
5	19211621	Washer 21/32 x 1 x 21 Ga.
6	120183X	Bearing Nylon
7	109413X	Grip Handle
8	124526X	Button Plunger Black
11	165829	Link Asm Lift L.H.
12	165831	Link Asm Lift R.H.
13	4939M	Retainer Spring
15	127218	Link Front
16	73350800	Nut Jam Hex 1/2-13 Unc
17	130171	Trunnion Blk Zinc
18	73680800	Nut Crownlock 1/2-13 Unc
19	139868	Arm Suspension Mower
20	163552	Retainer Spring
31	140302	Bearing, Pvt. Lift. Spherical
32	73540600	Nut Crownlock 3/8-24

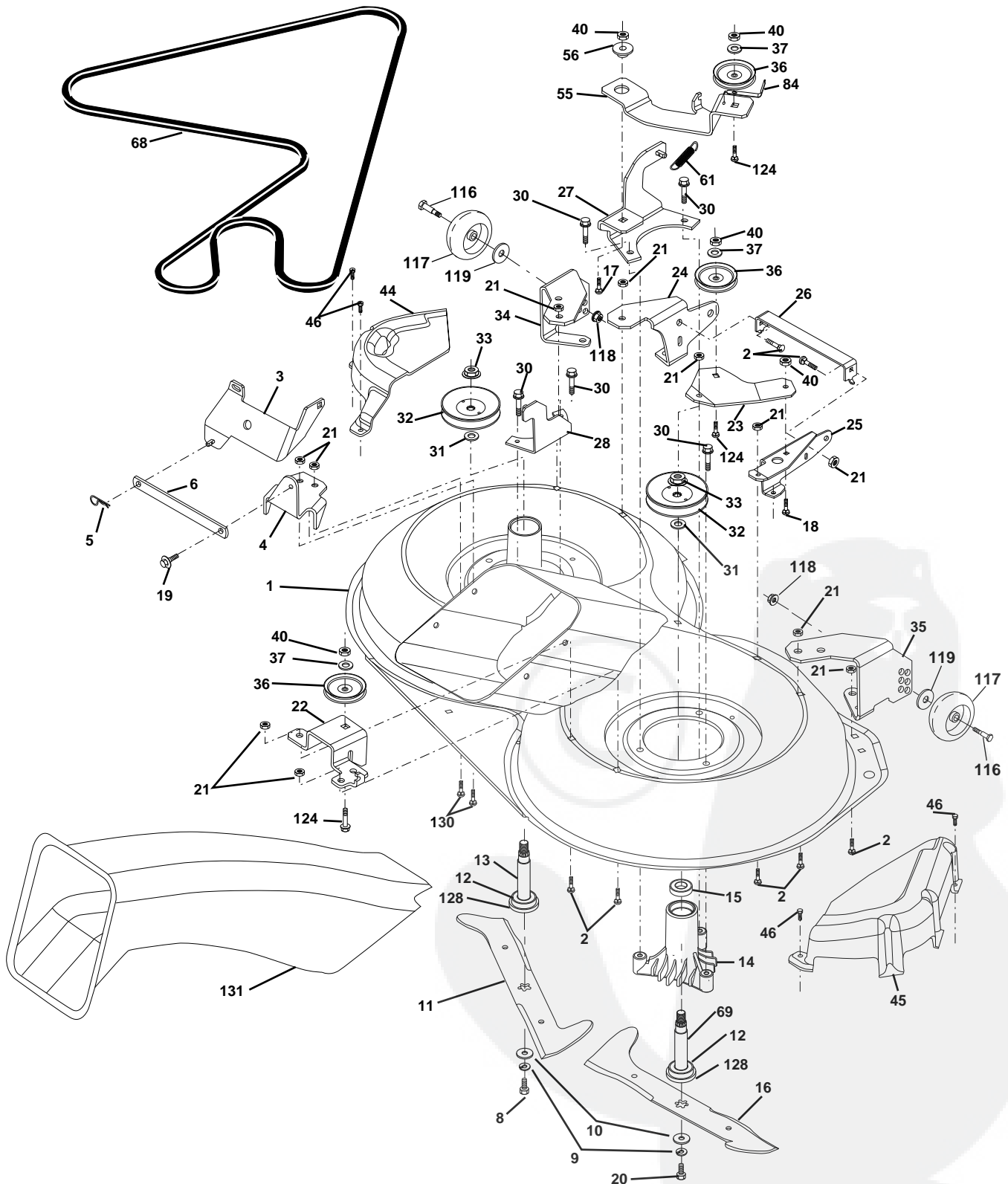
**NOTE:** All component dimensions given in U.S. inches  
1 inch = 25.4 mm



# REPAIR PARTS

## TRACTOR- -MODEL NO. BM125M92EJA

### MOWER



# REPAIR PARTS

## TRACTOR- -MODEL NO. BM125M92EJA

### MOWER

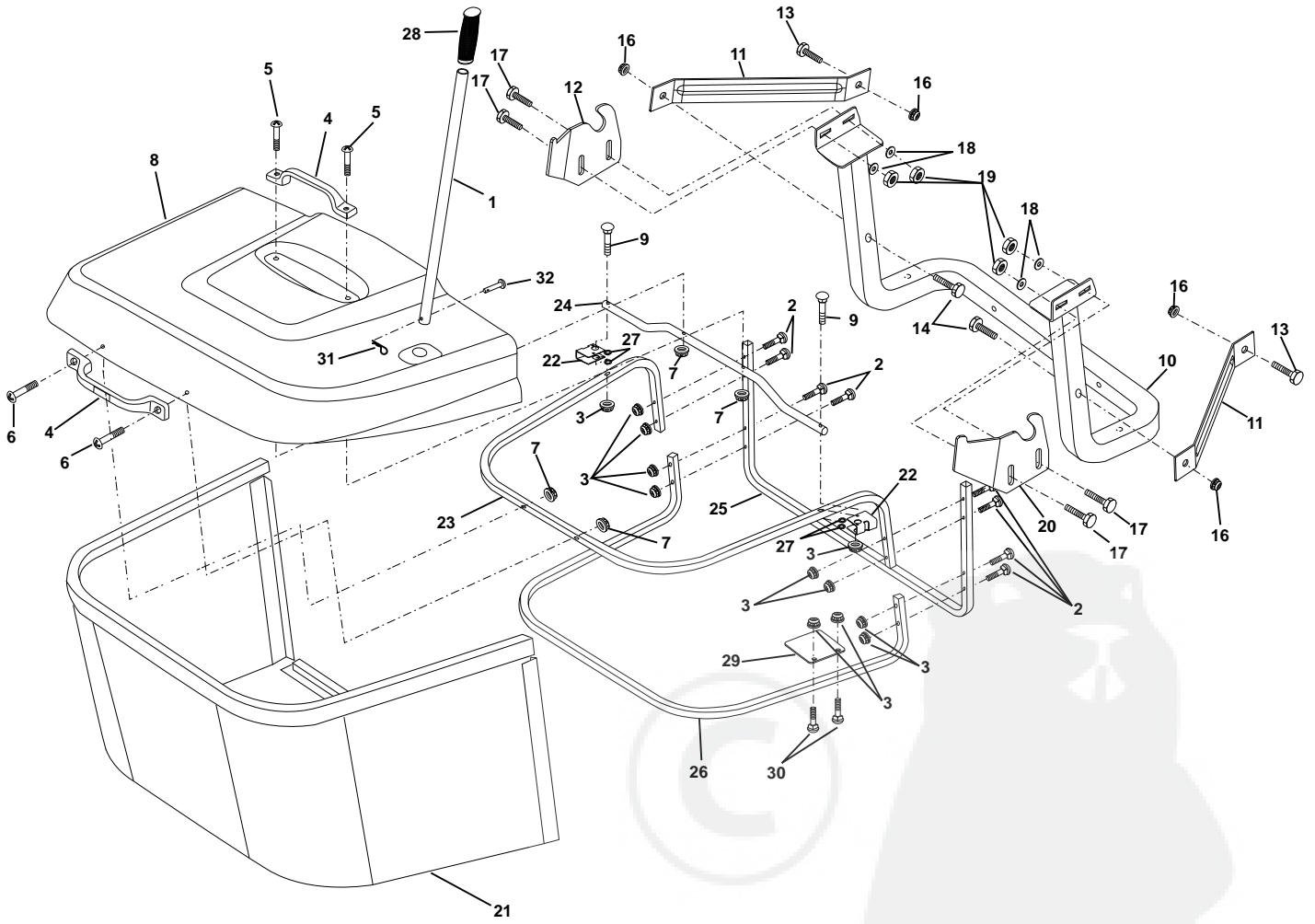
KEY NO.	PART NO.	DESCRIPTION	KEY NO.	PART NO.	DESCRIPTION
1	165552	Housing Asm. Mower 92 CRD	33	137266	Nut Flg Top Lock Cntr B 9/16
2	72140506	Bolt Rdhd Sqnk 5/16-18 Unc x 3/4	34	165239	Bracket Gauge Wheel Lf 92 CRD
3	165569	Bracket Asm. S-Bar Chass 92 CRD	35	165238	Bracket Gauge Wheel Rf 92 CRD
4	165558	Bracket Bar Sway Deck 92 CRD	36	146763	Pulley Idler V-Groove Dim 4.25
5	4939M	Retainer Spring	37	19131316	Washer 11/32 x 13/16 x 16 Ga
6	165557	Bar Sway 92 CRD	40	73680600	Nut Crownlock 3/8-16 Unc
8	850857	Bolt 3/8-24 x 1.25 Gr8 Patched	44	165724	Cover Mandrel Lh 92 CRD
9	10030600	Washer Lock Hvy 3/8 Unplated	45	165556	Cover Mandrel Rh 92 CRD
10	140296	Washer Hard Blade Mower vented	46	137729	Screw Thd Roll 1/4-20 x 5/8
11	165560	Blade 3-1 Lh 92 CRD	55	165445	Arm Idler 92 CRD
12	129895	Bearing Ball #6204 (Mandrel)	56	122052X	Spacer Retainer PM Mower
13	137645	Shaft Asm. W/Lower Bearing	61	165945	Spring Tension Belt
14	128774	Housing Mandrel Vented (Machd)	68	165555	Hex-Belt 92 Mower 105AA
15	110485X	Bearing Ball Mandrel	69	165482	Shaft Asm W/Lwr Brg Rh Thd CRD
16	165561	Blade 3-1 Rh 92 CRD	84	156085	Keeper Belt Idler
17	72140610	Bolt Carriage 3/8-16 x 1-1/4	116	137644	Bolt Shoulder
18	72110608	Bolt Rdhd Sqnk 3/8-16 x 1 Gr5	117	133957	Wheel Gage Donut Wide
19	132827	Bolt Shoulder 5/16-18 Thd Form	118	73930600	Nut Centerlock 3/8-16 Unc
20	165484	Bolt 3/8-24 x 1.25 Gr8 Ptch Lhthd	119	19121414	Washer 3/8 x 7/8 x 14 Ga.
21	73680500	Nut Crown Lock 5/16-18	124	72110612	Bolt Carr Sh 3/8-16 x 1-1/2 Gr5
22	165243	Bracket Idler Sprt RR 92 CRD	128	153390	Washer Felt
23	165446	Bracket Idler Sprt RF 92 CRD	130	72110506	Bolt Rdhdsqnk 5/16-18 Unc x 3/4
24	165242	Bracket Suspension LF 92 CRD	131	165661	Chute Bagger CRD 92cm
25	165244	Bracket Suspension RF 92 CRD	--	130794	Mandrel Asm Service
26	165237	Brace Support Susp Frt CRD	--	165579	Mandrel Asm CRD Lh Threads SVC
27	165568	Bracket Asm. Susp RR 92 CRD	--	165578	Deck Mower Complete
28	165567	Bracket Asm. Susp LR 92 CRD			
30	157722	Screw Thd Rolling Washer Head			
31	129963	Washer Spacer Mower Vented			
32	153531	Mandrel Pulleys 36 & 46			

**NOTE:** All component dimensions given in U.S. inches  
1 inch = 25.4 mm

# REPAIR PARTS

TRACTOR- -MODEL NO. BM125M92EJA

BAGGER



# REPAIR PARTS

## TRACTOR- -MODEL NO. BM125M92EJA

### BAGGER

KEY NO.	PART NO.	DESCRIPTION
1	165249	Tube Handle Bagger CRD
2	72140416	Bolt Carriage 1/4-20 x 2.0 Gr.5
3	123976X	Nut Lock 1/4 Lge Flg Gr. 5 Zinc
4	165693	Handle Grab Plastic Black
5	74981024	Screw Pan Head #10-24 x 1.50 Blk
6	74981032	Screw Pan Hd
7	59931	Nut Lock #10-24 Flg Gr.5 Zinc
8	165715X424	Cover Bagger Plastic CRD
9	72140418	Bolt Carriage 1/4-20 x 2.25d x Gr.5
10	165716	Support AsmWldmnt Bagger CRD
11	165719	Bracket Support Upper Bag CRD
12	165735	Bracket Pivot Bagger Lh CRD
13	72110606	Bolt Rdhd Sht Sqnk 3/8-16 x 3/4
14	74520640	Bolt Hex 3/8-16 x 2-1/2 Gr.5
16	73900600	Nut Lock Flg 3/8-16 Unc
17	72140506	Bolt Rdhd Sht Sqnk 5/16 -18 Unc x 3/4
18	19112016	Washer 11/32 x 1.25 x 16 Ga.
19	73800500	Nut Lock Hex W/Ins 5/16-18 Unc Pl
20	165736	Bracket Pivot Bagger RH CRD
21	165780	Bag Asm CRD
22	165781	Bracket Side Bagger CRD
23	165782	Tube Upper Bagger CRD
24	165783	Tube Pivot Bagger CRD
25	165784	Tube Front Bagger CRD
26	165785	Tube Lower Bagger CRD
27	165786	Grommet Extruded Cut1/8
28	165787	Grip Handle Black
29	165839	Plate Stop Bagger handle CRD
30	72140410	Bolt Carriage 1/4-20 x 1 Gr.5
31	4497H	Retainer Spring 1" Zinc/Cad
32	126875X	Rivet Rd Hd Drilled 3/8 Dia

**NOTE:** All component dimensions given in U.S. inches  
1 inch = 25.4 mm

---

# SERVICE NOTES

---



---

# SERVICE NOTES

---

