

**REPAIR PARTS MANUAL**  
**MODEL NO. WZ12B36A**  
**Lawn Tractor**

---

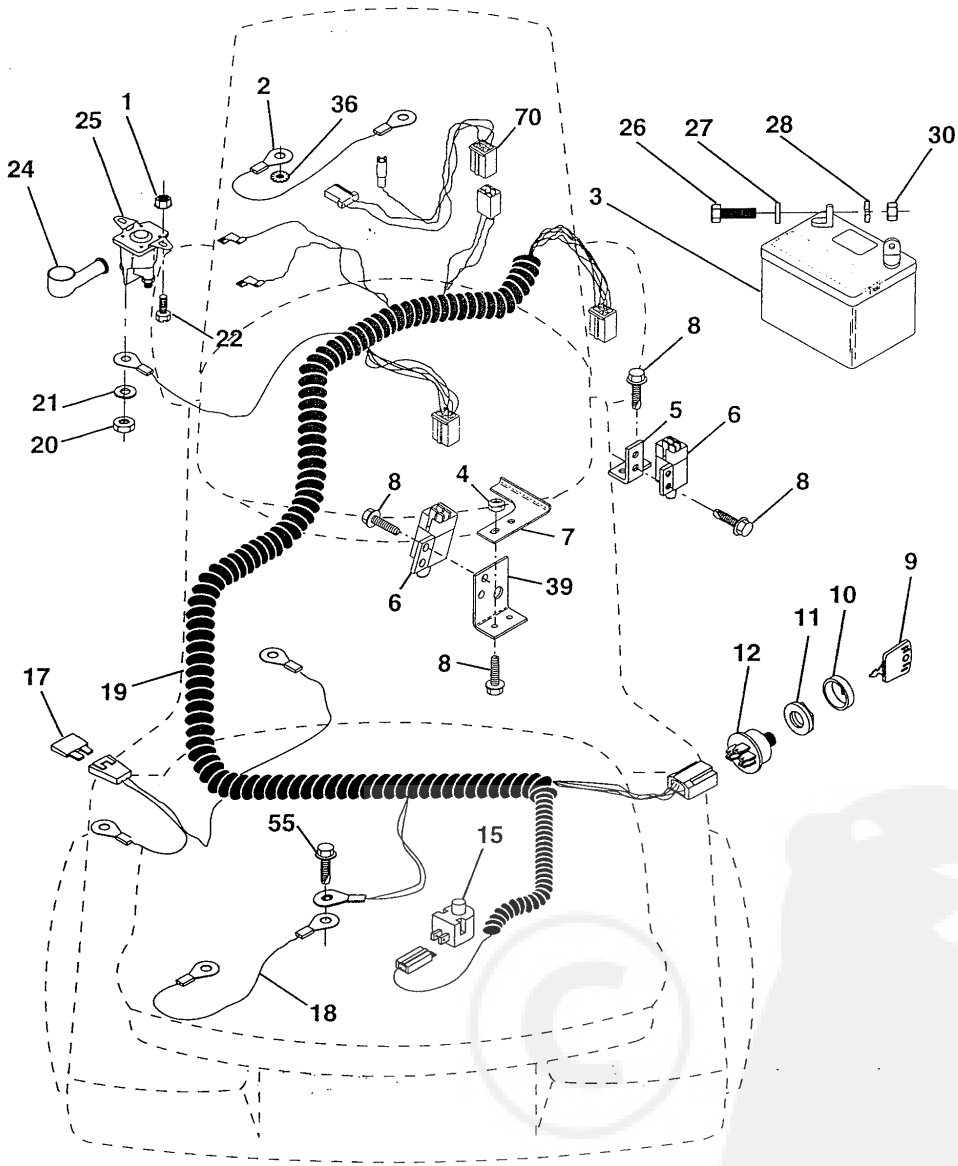
**WIZARD**

163648 12.10.97 KFSW  
PRINTED IN U.S.A.

# REPAIR PARTS

TRACTOR - MODEL NUMBER WZ12B36A

## ELECTRICAL



# REPAIR PARTS

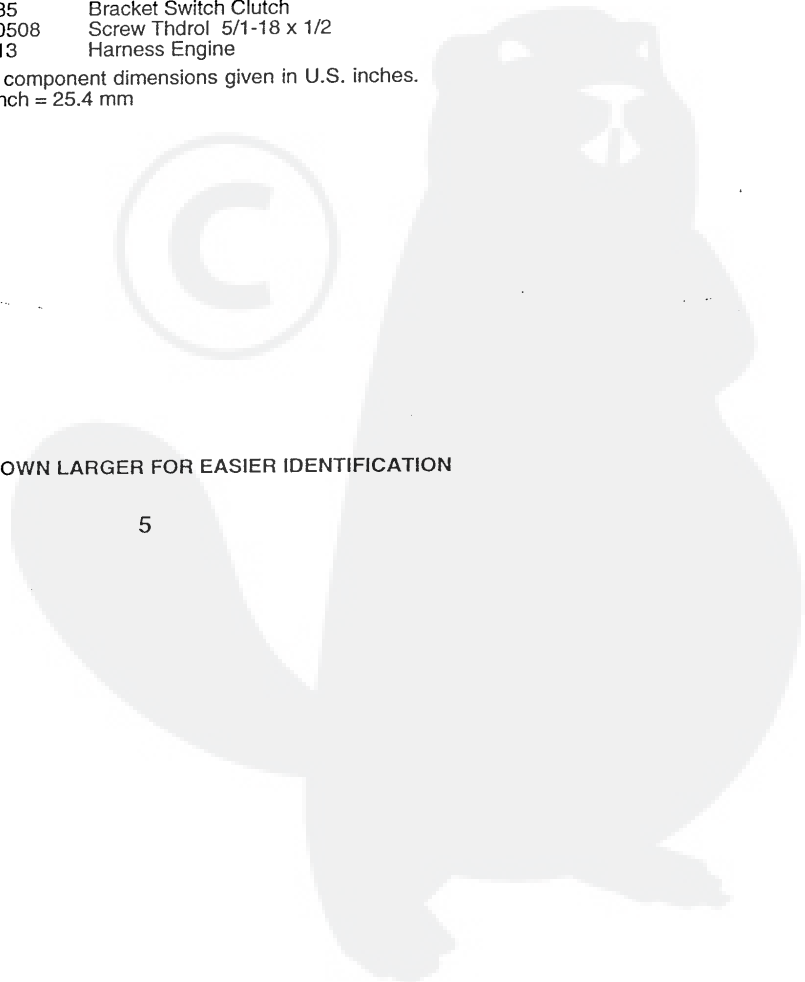
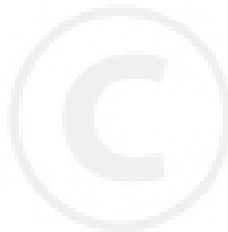
## TRACTOR - MODEL NUMBER WZ12B36A

### ELECTRICAL

KEY NO.	PART NO.	DESCRIPTION
1	73640400	Nut, Hex Keps 1/4-20
2	108423X	Assembly, Cable
3	144924	Battery
4	69180	Nut, Lock #10-24 UNC
5	108236X	Bracket, Switch
6	109553X	Switch, Interlock (4-terminal)
7	146374	Keeper Actuator
8	17021008	Screw, Hex Hd. Tap #10-24 x 1/2
9	140401	Key, Steel Delta
10	141226	Cover, Key Ignition
11	140400	Nut, Ignition
12	163088	Switch, Ignition
15	121305X	Switch, Plunger
17	108824X	Fuse
18	128353	Assembly, Cable
19	146063	Harness, Ignition
20	73350400	Nut, Hex Jam 1/4-20
21	10090400	Washer, Lock 1/4
22	71110408	Bolt, Fin. Hex 1/4-20 UNC x 1/2 Gr. 5
24	131563	Cover, Terminal
25	145673	Solenoid
26	74760412	Bolt, Hex Hd. 1/4-20 UNC x 3/4
27	19091016	Washer 9/32 x 5/8 x 16
28	10040400	Washer, Lock 1/4
30	73220400	Nut, Fin. Hex 1/4-20 UNC
36	11150400	Washer Lock Inter. Tooth 1/4
39	141735	Bracket Switch Clutch
55	17490508	Screw Thdrol 5/1-18 x 1/2
70	140413	Harness Engine

**NOTE:** All component dimensions given in U.S. inches.  
1 inch = 25.4 mm

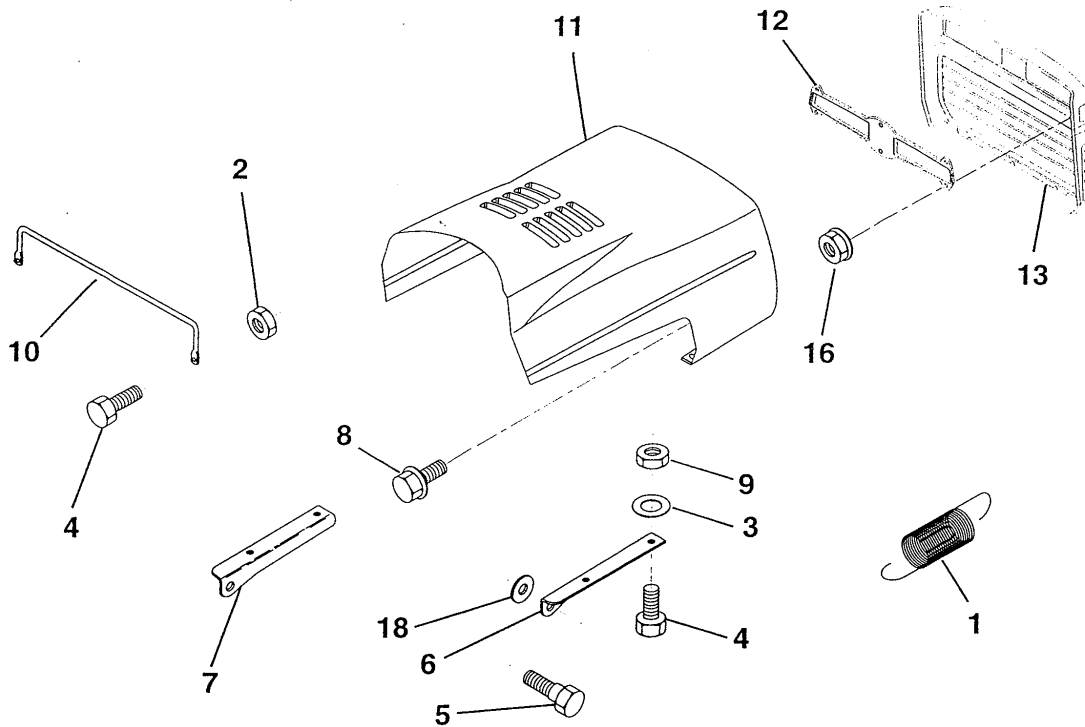
HARDWARE SHOWN LARGER FOR EASIER IDENTIFICATION



# REPAIR PARTS

## TRACTOR - MODEL NUMBER WZ12B36A

### HOOD



KEY NO.	PART NO.	DESCRIPTION
1	124657X	Extension, Spring
2	73510400	Nut, Hex, Keps 1/4-20
3	19091416	Washer, 9/32 x 7/8 x 16 Ga.
4	74780412	Bolt, Hex Fin 1/4-20 x 3/4 Gr. 5
5	139888	Bolt, Shoulder
6	122549X	Bracket, Hood R. H.
7	122548X	Bracket, Hood L.H.
8	17521312	Screw Sltd. Hex Hd W/PL Washer
9	73800400	Nut Lock W/Insert 1/4-20 UNC

KEY NO.	PART NO.	DESCRIPTION
10	123693X	Brace, Hood
11	132918X505	Hood
12	127178	Lens Clear Bar Dual LR P/L
13	134232X428	Grille
16	124346X	Nut Self-Thd. Wsh-Hd 1/4
18	19111116	Washer 11/32 x 11/16 x 16 Ga.

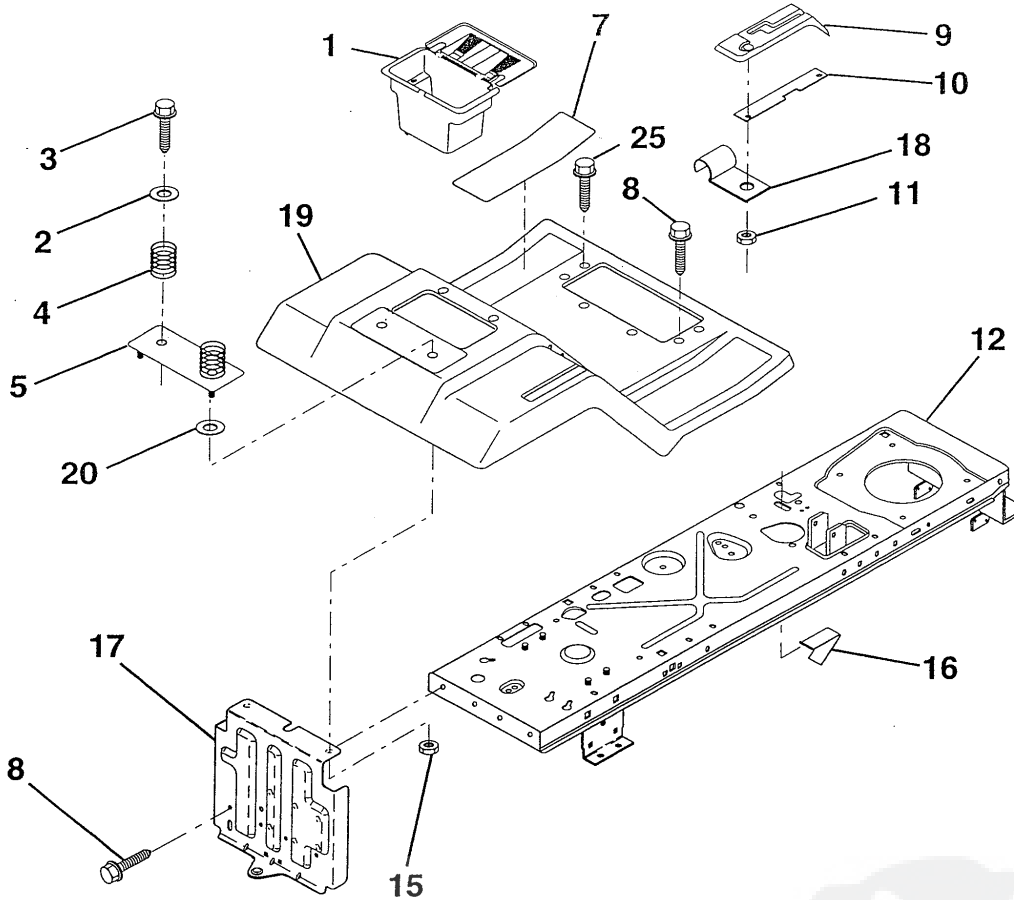
NOTE: All component dimensions given in U.S. inches.  
1 inch = 25.4 mm

HARDWARE SHOWN LARGER FOR EASIER IDENTIFICATION

# REPAIR PARTS

## TRACTOR - MODEL NUMBER WZ12B36A

### FENDER / CHASSIS



KEY NO.	PART NO.	DESCRIPTION
1	156417	Case, Battery
2	19132012	Washer 13/32 x 1-1/4 x 12 Gauge
3	17490612	Screw, Hex Washer Head, Thd. Roll. 3/8-16 x 3/4
4	124181X	Spring, Compression, Seat
5	127115X505	Plate, Battery
7	124144X	Pad, Footrest
8	17490512	Screw, Hex Washer Head, Thd. Roll. 5/16-18 x 3/4
9	126997X	Console, Shift Control
10	139783	Bar, Shift Lock

KEY NO.	PART NO.	DESCRIPTION
11	124346X	Nut, Self-Threading 3/16
12	145190	Assembly, Frame
15	73640400	Nut, Lock Hex W/Ins. 5/16-18
16	141736	Actuator, Switch
17	140782	Drawbar
18	126470X	Clip, Insulated
19	140955X505	Fender/Footrest
20	19091413	Washer 9/32 x 7/8 x 13 Gauge
25	17190516	Screw Hex Wsh Thdrol 5/16-18 x 1

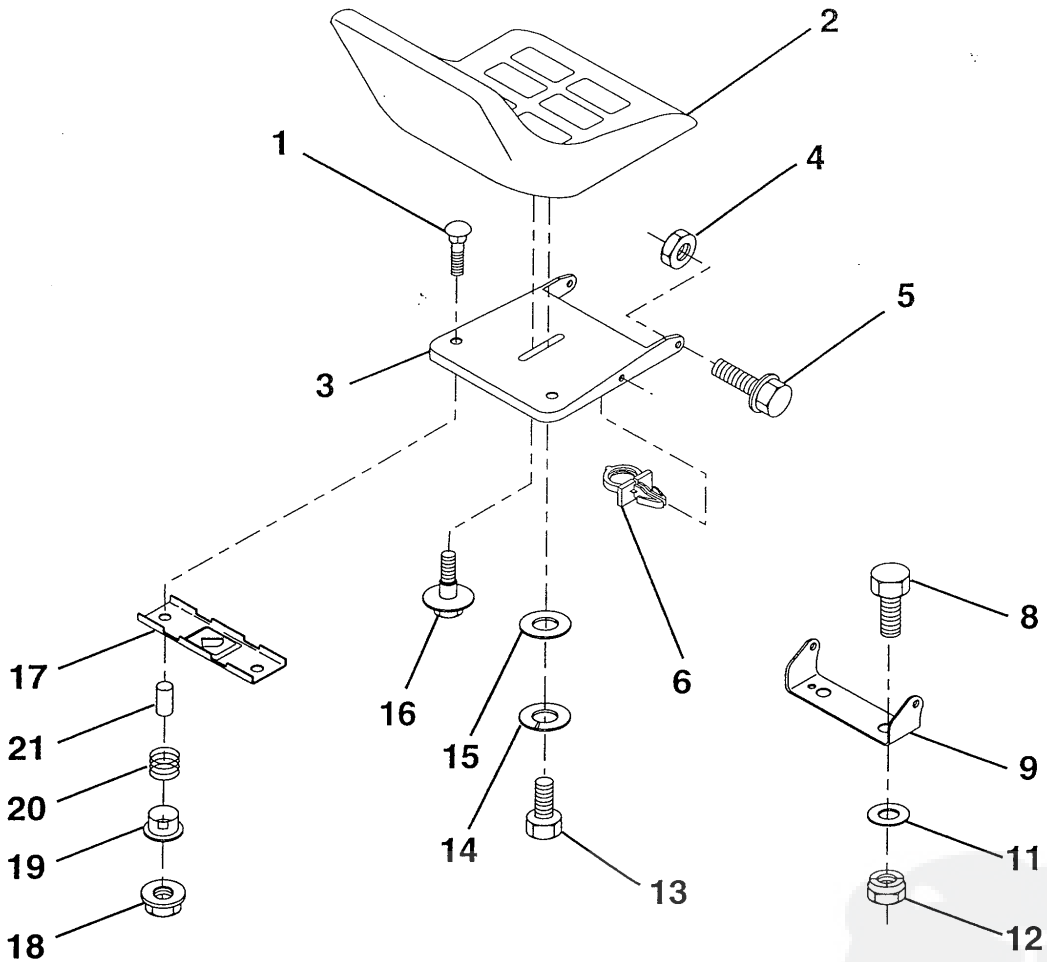
NOTE: All component dimensions given in U.S. inches.  
1 inch = 25.4 mm

HARDWARE SHOWN LARGER FOR EASIER IDENTIFICATION

# REPAIR PARTS

TRACTOR - MODEL NUMBER WZ12B36A

SEAT



KEY NO.	PART NO.	DESCRIPTION
1	72050412	Bolt, Carriage 1/4-20 x 1-1/2
2	134647	Seat
3	155925	Pan, Seat
4	73800500	Nut, Lock Hex W/Ins 5/16-18
5	153236	Bolt, Shoulder 5/16-18 UNC
6	145006	Clip, Push-In
8	74760616	Bolt, Hex, Fin 3/8-16 UNC x 1
9	140551	Bracket, Pivot, Seat
11	19133210	Washer 13/32 x 2 x 10 Gauge
12	73800600	Nut, Lock Hex W/Wsh 3/8-16
13	74780814	Bolt, Fin Hex 1/2 - 13 x 7/8 Gr. 5

KEY NO.	PART NO.	DESCRIPTION
14	10040800	Washer Lock Hvy HLCL Spr. 1/2
15	19171912	Washer 17/32 x 13/16 x 12 Gauge
16	127018X	Bolt, Shoulder
17	121246X	Bracket, Switch, Mounting
18	123976X	Locknut, Hex, Large, Flange
19	121248X	Bushing, Snap
20	121250X	Spring, Compression
21	134300	Spacer, Split, Large .28 Id. x .96

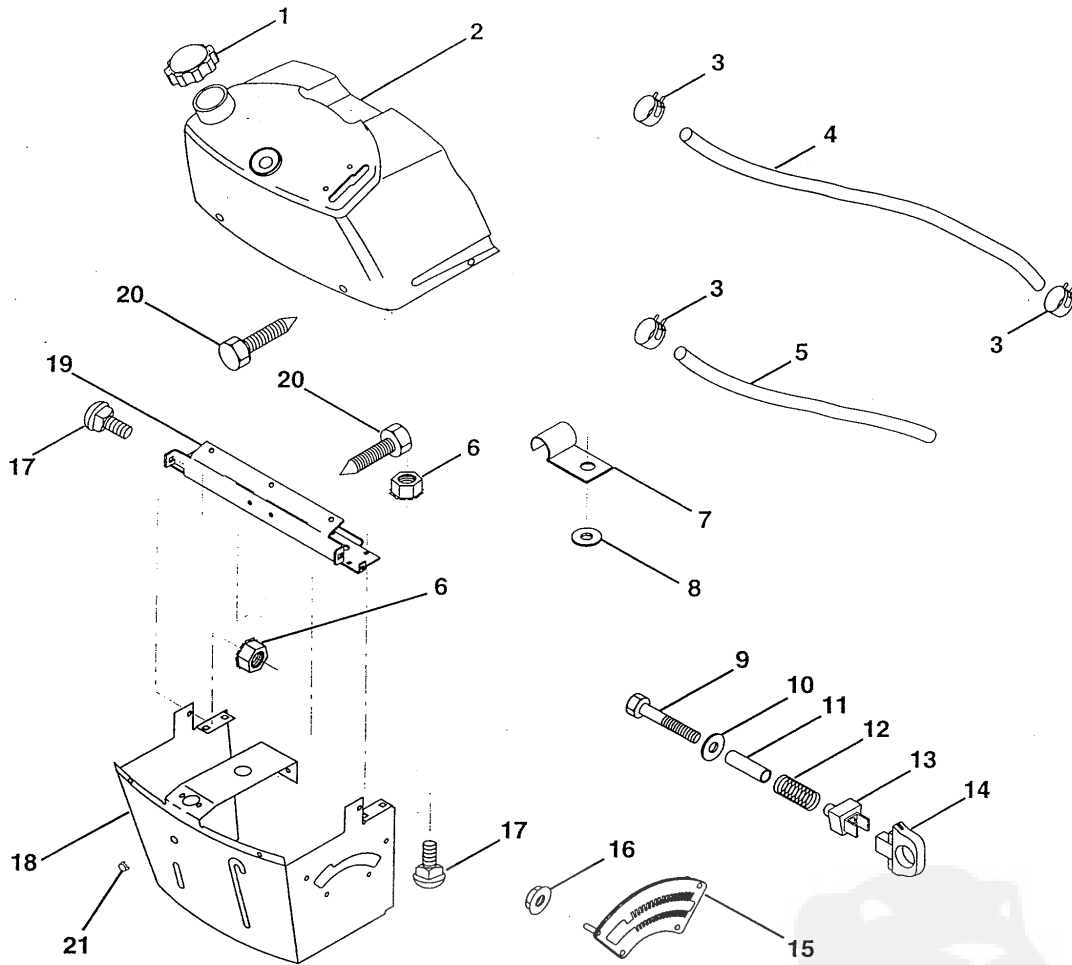
NOTE: All component dimensions given in U.S. inches.  
1 inch = 25.4 mm

HARDWARE SHOWN LARGER FOR EASIER IDENTIFICATION

# REPAIR PARTS

## TRACTOR - MODEL NUMBER WZ12B36A

### DASHBOARD



KEY NO.	PART NO.	DESCRIPTION
1	141523	Cap, Fuel
2	138393	Assembly, Dash & Fuel Tank
3	123487X	Clamp, Hose
4	8544R	Line, Fuel
5	8548R	Line, Fuel
6	73640400	Nut, Hex, Keps 1/4-20
7	2751R	Clip, Fuel Line
8	19091216	Washer 9/32 x 3/4 x 16 Gauge
9	74760428	Bolt, Hex, Fin. 1/4-20 x 1-3/4
10	19091413	Washer 11/32 x 11/16 x 16 Gauge
11	121249X	Spacer, Split

KEY NO.	PART NO.	DESCRIPTION
12	3720R	Spring
13	126450X	Clip, Height Adjustment
14	126115X	Knob, Height Stop
15	122023X	Adjustment, Quadrant Height
16	124346X	Nut, Self-Threading 3/16-18
17	72110404	Bolt, Carriage 1/4-20 x 1/2 Grade 5
18	130745	Support Assembly, Dash
19	134744	Brace, Cross
20	17060408	Screw, Self-Tapping 1/4-20 x 1/2
21	134014	Plug, Dome

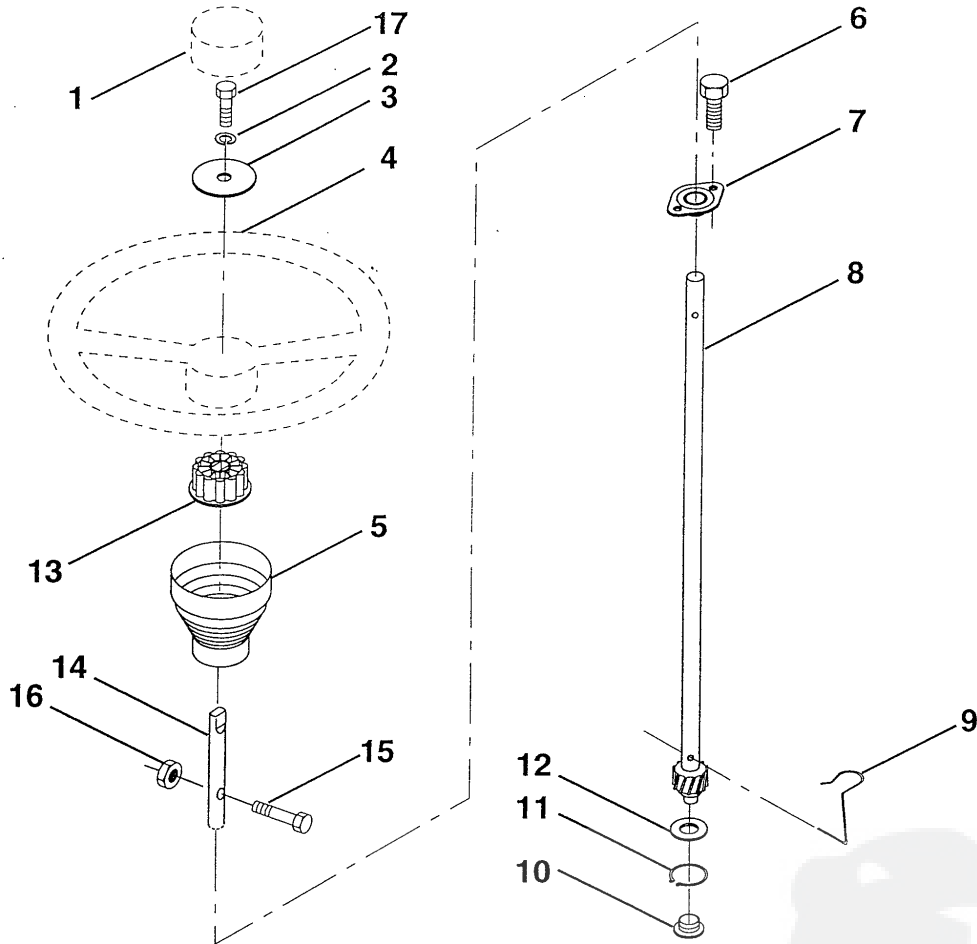
NOTE: All component dimensions given in U.S. inches.  
1 inch = 25.4 mm

HARDWARE SHOWN LARGER FOR EASIER IDENTIFICATION

# REPAIR PARTS

TRACTOR - MODEL NUMBER WZ12B36A

## STEERING WHEEL



KEY NO.	PART NO.	DESCRIPTION
1	133742	Insert, Steering Wheel
2	10040600	Washer Lock Hvy Hcl
3	19133808	Washer 13/32 x 2-3/8 x 8 Ga.
4	133741	Wheel, Steering
5	121897X	Sleeve, Steering
6	152927	Screw, TT #10-32 5 3/8 Flange
7	155104	Bushing, Steering
8	147391	Shaft, Steering
9	124210X	Clip, Steering
10	123438X	Bushing, Lower, Steering

KEY NO.	PART NO.	DESCRIPTION
11	12000045	Ring, Retaining
12	19211616	Washer 21/32 x 1 x 16 Ga.
13	100711L	Adaptor, Steering Wheel
14	153720	Extension, Shaft, Steering
15	74780520	Bolt, Fin, Hex 5/16-18unc x 1-1/4
16	73800500	Nut, Lock Hex W/Ins 5/16-18 UNC
17	74780616	Bolt, Fin Hex 3/8-16 UNC x 1

NOTE: All component dimensions given in U.S. inches  
1 inch = 25.4 mm

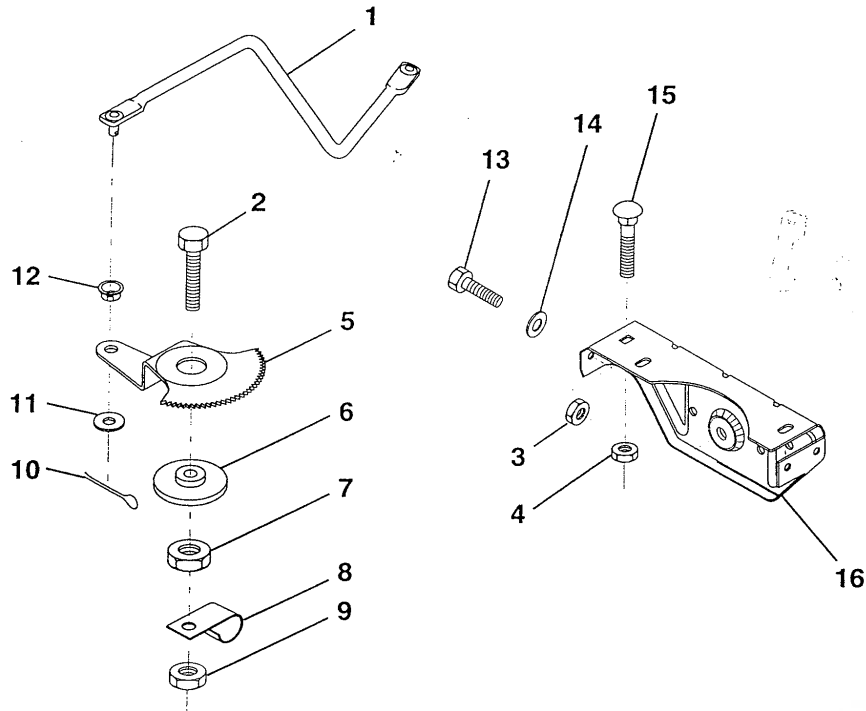
HARDWARE SHOWN LARGER FOR EASIER IDENTIFICATION



# REPAIR PARTS

TRACTOR - MODEL NUMBER WZ12B36A

SECTOR GEAR / AXLE SUPPORT



KEY NO.	PART NO.	DESCRIPTION
1	132566	Link, Drag
2	74780828	Bolt, Hex, Fin 1/2-13 x 1-3/4
3	73680500	Nut, Hex, Crownlock 5/16-18
4	73680600	Nut, Hex, Crownlock 3/8-16
5	121926X	Gear, Sector
6	121927X	Bushing
7	73030800	Nut, Heavy, Hex, Top Lock 1/2-13 UNC
8	126472X	Clip, Wire

KEY NO.	PART NO.	DESCRIPTION
9	73680800	Nut, Crownlock 1/2-13
10	76020412	Pin, Cotter 1/8 x 3/4
11	19131316	Washer 13/32 x 13/16 x 16 Ga.
12	126847X	Bushing
13	74760512	Bolt, Hex 5/16-18 x 3/4
14	19111416	Washer 11/32 x 7/8 x 16 Ga.
15	72110606	Bolt, Carriage 3/8-16 UNC x 3/4
16	137096	Support, Front Axle

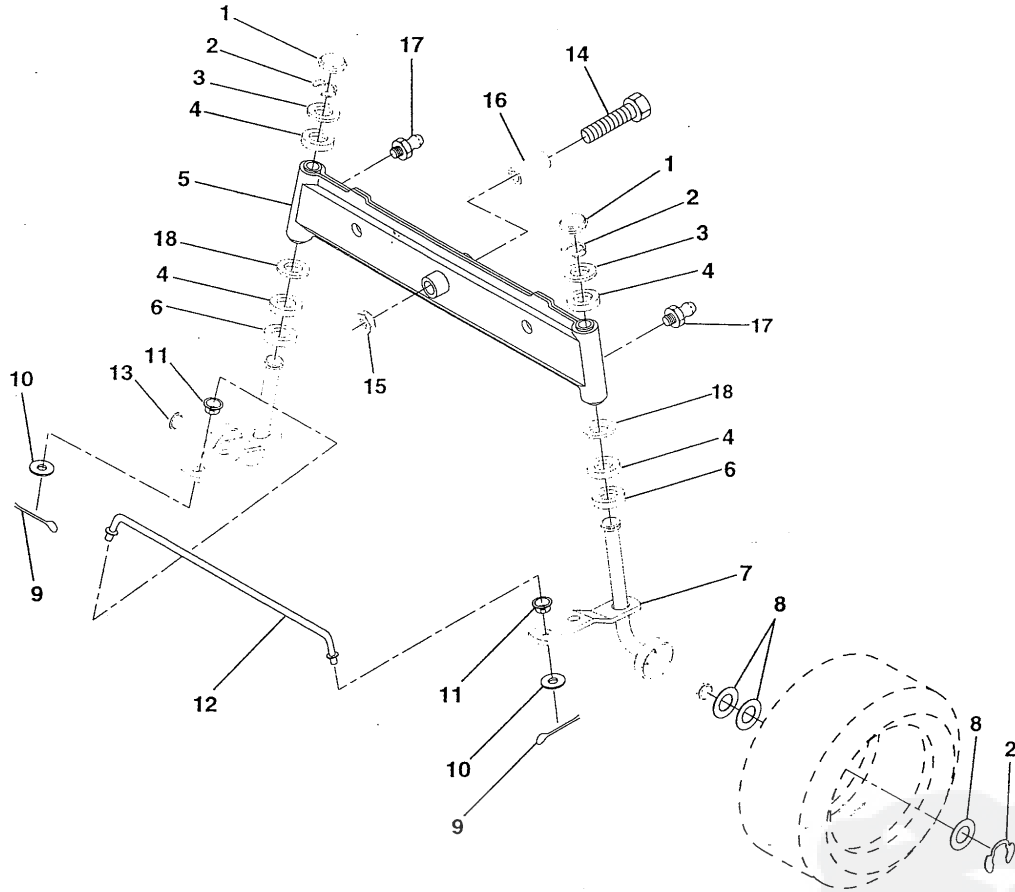
NOTE: All component dimensions given in U.S. inches  
1 inch = 25.4 mm

HARDWARE SHOWN LARGER FOR EASIER IDENTIFICATION

# REPAIR PARTS

## TRACTOR - MODEL NUMBER WZ12B36A

### FRONT AXLE



KEY NO.	PART NO.	DESCRIPTION
1	121232X	Cap, Spindle
2	12000029	Ring, Klip
3	121748X	Washer 25/32 x 1-5/8 x 16 Gauge
4	3366R	Bearing
5	142033	Axle, Front
6	6266H	Bearing, Thrust
7	161826	Spindle Assembly, R.H.
8	121749X	Washer 25/32 x 1-1/4 x 16 Gauge
9	76020412	Pin, Cotter 1/8 x 3/4
10	19131316	Washer 13/32 x 13/16 x 16 Gauge

KEY NO.	PART NO.	DESCRIPTION
11	126847X	Bushing
12	130465	Rod, Tie
13	161827	Spindle Assembly, L.H.
14	740-1056	Bolt Hex 5/8-11 x 3-1/2
15	73901000	Nut, Lock Flange 5/8-11
16	110438X	Spacer, Bearing Axle
17	6855M	Fitting Grease
18	19272016	Washer 27/32 x 1-1/4 x 16 Ga.

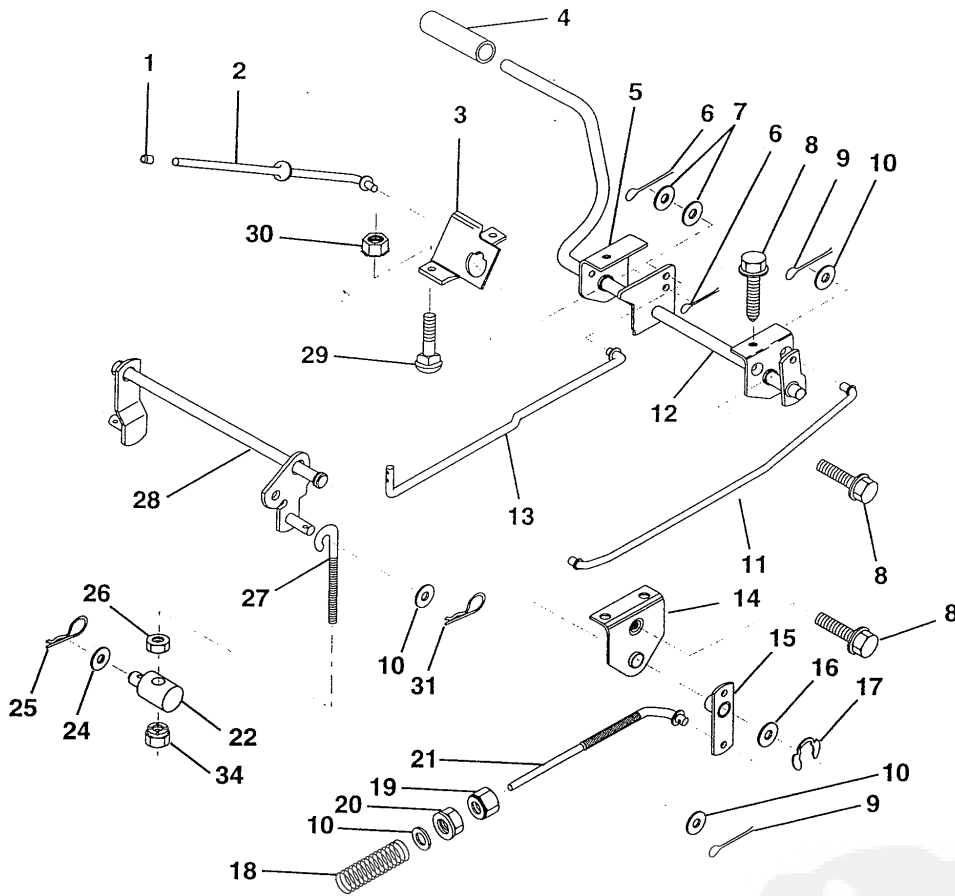
NOTE: All component dimensions given in U.S. inches  
1 inch = 25.4 mm

HARDWARE SHOWN LARGER FOR EASIER IDENTIFICATION

# REPAIR PARTS

## TRACTOR - MODEL NUMBER WZ12B36A

### BRAKE / REAR MOWER LIFT ASSEMBLY



KEY NO.	PART NO.	DESCRIPTION	KEY NO.	PART NO.	DESCRIPTION
1	71673	Cap, Parking Brake	17	12000034	Ring, Klip
2	123436X	Rod, Parking Brake	18	151332	Spring, Brake Rod
3	123437X	Bracket, Parking Brake	19	73350600	Nut, Hex, Jam 3/8-16 UNC
4	8156H	Cover, Pedal	20	73800600	Nut, Lock, Hex W/Ins 3/8-16 UNC
5	122504X	Bracket, Pedal, Clutch LH	21	131460	Rod, Rear Brake
6	76020312	Pin, Cotter 3/32 x 3/4	22	144585	Trunnion, Lift
7	19131016	Washer 13/32 x 5/8 x 16 Gauge	24	19132012	Washer 13/32 x 1-1/4 x 12 Gauge
8	17490508	Screw, Hex, Thd. Roll. 5/16 1 1/2	25	4921H	Spring, Retainer
9	76020412	Pin, Cotter 1/8 x 3/4	26	73930600	Nut, Centerlock 3/8-16 UNC
10	19131316	Washer 13/32 x 13/16 x 16 Gauge	27	127369	Link, Threaded
11	123543X	Rod, Front Brake	28	140776	Assembly, Rear Mower Lift
12	139933	Assembly, Clutch/Brake Pedal	29	72110506	Bolt, Carriage 5/16-18 UNC x 3/4
13	123394X	Rod, Clutch	30	73510500	Nut, Keps 5/16-18 UNC
14	121978X	Bracket, Lift, Shaft	31	3146R	Retainer, Spring
15	133332	Assembly, Brake, Pivot, Arm	34	73680600	Nut, Lock Hex W/Wsh 3/8-16
16	19251816	Washer 25/32 x 1-1/8 x 16 Gauge			

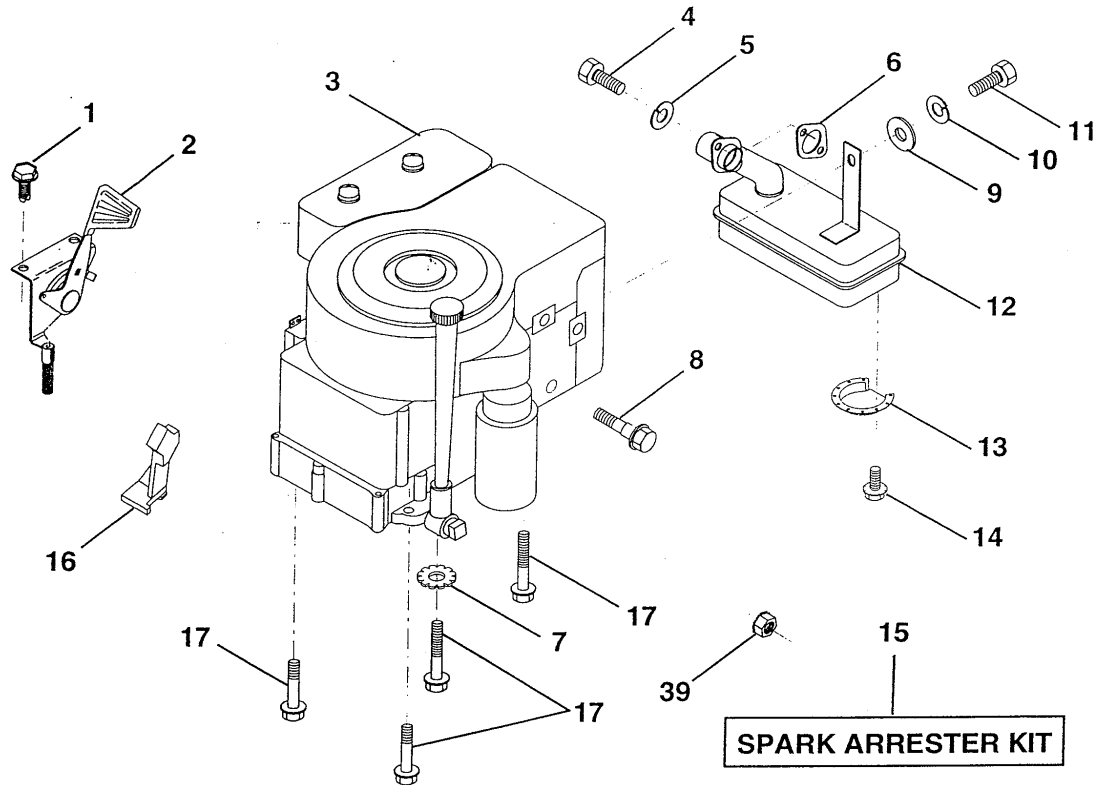
NOTE: All component dimensions given in U.S. inches  
1 inch = 25.4 mm

HARDWARE SHOWN LARGER FOR EASIER IDENTIFICATION

# REPAIR PARTS

TRACTOR - MODEL NUMBER WZ12B36A

ENGINE / THROTTLE



KEY NO.	PART NO.	DESCRIPTION
1	17060408	Screw, Hex, Thread Cutting 1/4-20 x 1/2
2	133025	Control, Throttle
3	-----	Engine, B&S, #289707
4	71070512	Screw, Hex Hd
5	10040500	Washer, Lock, Heavy Helical Spring 5/16
6	272293	Gasket, Exhaust
7	11050600	Washer Lock Ext. Tooth 3/8
8	121094X	Bolt, Shoulder 5/16 UNC
9	19101216	Washer 5/16 x 3/4 x 16 Gauge
10	10040400	Washer, Lock, Heavy Helical Spring 1/4
11	---	Bolt, Hex Head, Fin. (Order from Engine Manufacturer)

KEY NO.	PART NO.	DESCRIPTION
12	137437	Muffler
13	101326L	Deflector, Muffler
14	17030808	Screw, Hex Head, Spiderlock #8 x 1/2
15	137180	Kit, Spark Arrester (Optional)
16	127951	Stop, Choke
17	17490624	Screw, Hex Washer Head, Thd. Roll. 3/8-16 x 1-1/2
39	128861	Nut, Flange 1/4-20

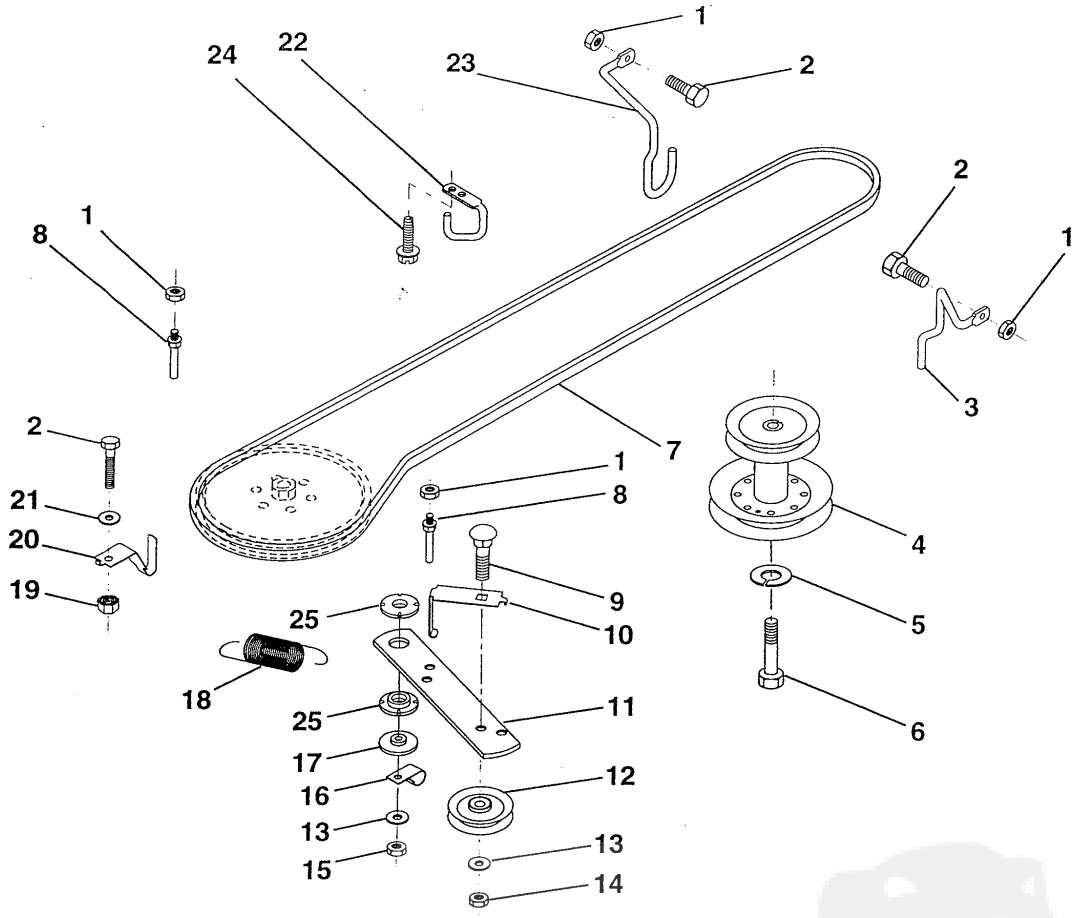
NOTE: All component dimensions given in U.S. inches  
1 inch = 25.4 mm

HARDWARE SHOWN LARGER FOR EASIER IDENTIFICATION

# REPAIR PARTS

## TRACTOR - MODEL NUMBER WZ12B36A

### GROUND DRIVE



KEY NO.	PART NO.	DESCRIPTION
1	73680500	Nut, Lock Hex W/Ins 5/16-18
2	74760512	Bolt, Hex 5/16-18 UNC x 3/4
3	141342	Keeper, Mower Drive Belt, Engine, R.H.
4	138029	Pulley, Engine
5	10040700	Washer, Lock, Heavy Helical Spring 7/16
6	71170744	Bolt, Hex, 7/16-20 x 2-3/4 Grade 5
7	126520X	Traction, V-Belt Drive
8	123405X	Keeper, T/A Ground Drive Belt
9	72140612	Bolt, Carriage 3/8-16 UNC x 1-1/2
10	123396X	Keeper, Ground Drive Belt, Idler
11	150926	Arm, Ground Drive Clutch
12	123674X	Idler, Flat
13	19131316	Washer 13/32 x 13/16 x 16 Gauge

KEY NO.	PART NO.	DESCRIPTION
14	73930600	Nut, Centerlock 3/8-16 UNC
15	73680600	Nut, Lock Hex w/Wsh 3/8-16
16	126471X	Clip, Insulated
17	150932	Spacer, Retainer
18	131459	Spring, Extension
19	73510500	Nut, Keps 5/16-18 UNC
20	139919	Keeper, T/A Ground Drive Belt
21	19111016	Washer 11/32 x 5/8 x 16 Gauge
22	123404X	Keeper, Ground Drive Belt, Frame
23	140916	Keeper, Mower Drive Belt, L.H.
24	17720408	Screw, Thread Cutting 1/4-20 x 1/2
25	150935	Bushing, Nylon

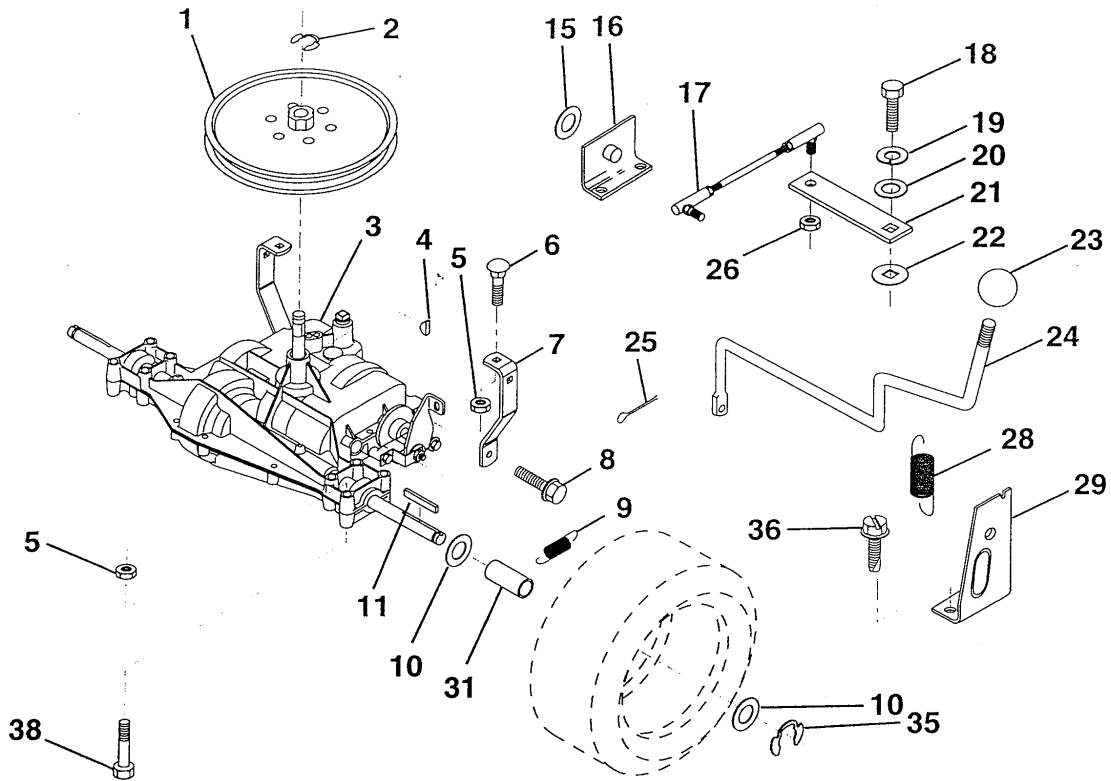
NOTE: All component dimensions given in U.S. inches  
1 inch = 25.4 mm

HARDWARE SHOWN LARGER FOR EASIER IDENTIFICATION

# REPAIR PARTS

## TRACTOR - MODEL NUMBER WZ12B36A

### TRANSAXLE



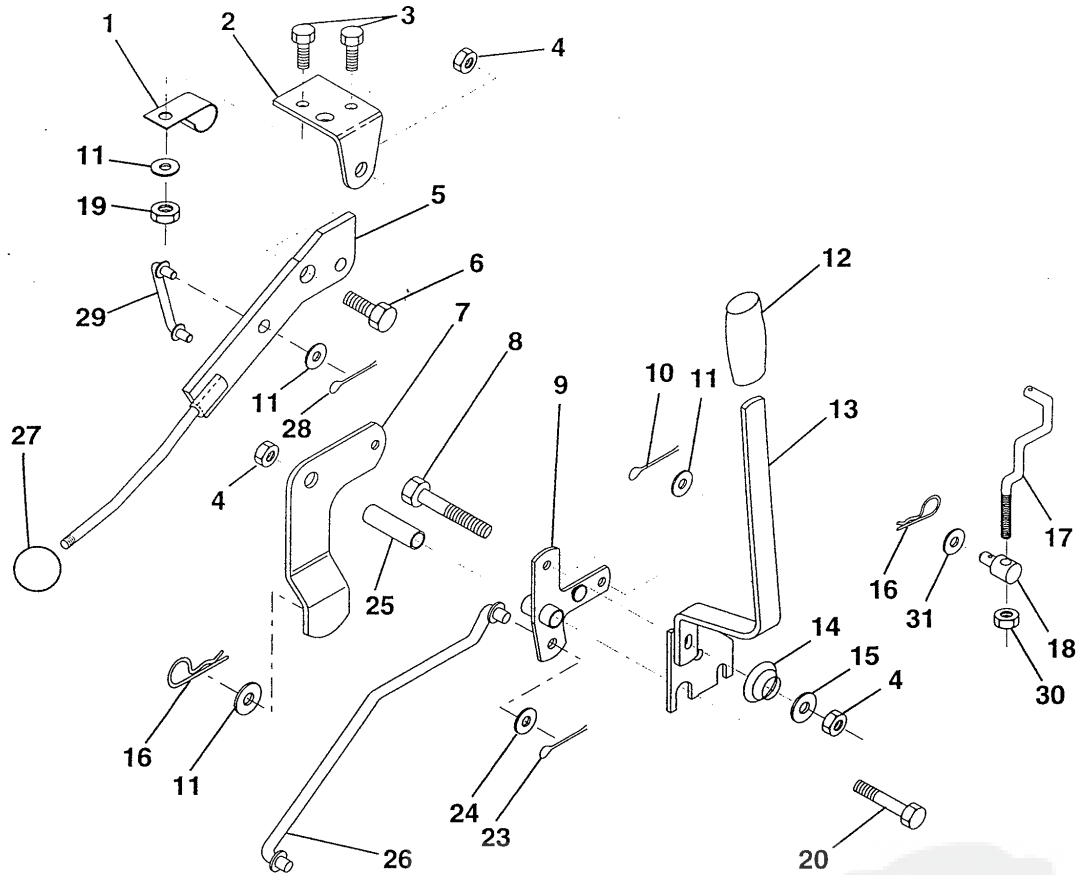
KEY NO.	PART NO.	DESCRIPTION	KEY NO.	PART NO.	DESCRIPTION
1	123385X	Pulley	20	19091210	Washer 9/32 x 3/4 x 10 Gauge
2	12000028	Ring, Retainer	21	126292X	Arm, Shift
3	-----	Transaxle (See Breakdown)	22	105701X	Washer, Shift Plate
4	2228M	Key, Woodruff #9	23	106933X	Knob, Deluxe
5	73680500	Nut, Lock Hex 5/16-18	24	128215	Rod, Shift
6	72140506	Bolt, Carriage 5/16-18 UNC x 3/4	25	76020416	Pin, Cotter 1/8 x 1
7	123378X	Strap, Torque	26	73810500	Nut, Hex, Nylon 5/16-24 UNF
8	17490512	Screw 5/16-18 x 3/4	28	128085	Spring, Extension
9	146682	Spring, Brake	29	128084	Support, Handle, Shift, R.H.
10	121749X	Washer 25/32 x 1-1/4 x 16 Gauge	31	137057	Spacer, Split
11	123583X	Key, Square	32	19111116	Washer 11/13/ x 11/16 x 16 Ga.
15	19171616	Washer 17/32 x 16 Ga.	35	12000001	E-Ring
16	124600X	Support, Handle Shift	36	17720408	Screw, Thdcut. 1/4-20 x 1/2
17	126293X	Link, Shift	38	74490544	Bolt, Hex, Flgnd 5/16-18
18	74550412	Bolt, Hex, Fin 1/4-28 UNF x 3/4 Gr. 8	NOTE: All component dimensions given in U.S. inches 1 inch = 25.4 mm		
19	10040400	Washer, Lock 1/4			

HARDWARE SHOWN LARGER FOR EASIER IDENTIFICATION

# REPAIR PARTS

## TRACTOR - MODEL NUMBER WZ12B36A

### MOWER LIFT LEVER



KEY NO.	PART NO.	DESCRIPTION
1	126470X	Clip, Insulated
2	122018X	Bracket, Mower Clutch
3	71110408	Bolt, Hex, Fin 1/4-20 UNC x 1/2 Grade 5
4	73680600	Nut, lock Hex W/Wsh 3/8-16
5	145187	Assembly, Clutch Lever
6	106451X	Bolt, Shoulder
7	135371	Assembly, Mower Clutch Arm
8	74760636	Bolt, Hex 3/8-16 UNC x 2-1/4
9	121930X	Assembly, Bellcrank, Lift
10	76020412	Pin, Cotter 1/8 x 3/4
11	19131316	Washer 13/32 x 13/16 x 16 Gauge
12	131861	Sleeve, Handle
13	139352	Assembly, Lift Handle
14	123496X	Spring, Compression
15	19131212	Washer 13/32 x 3/4 x 12 Gauge

KEY NO.	PART NO.	DESCRIPTION
16	4921H	Retainer, Spring
17	127359	Link, Front Lift
18	142028	Trunnion, Threaded 3/8-16
19	73680400	Nut, Crownlock 1/4-20
20	74760644	Bolt, Hex, Fin. 3/8-16 UNC x 2-3/4
23	76020416	Pin, Cotter 1/8 x 1
24	19171612	Washer 17/32 x 1 x 12 Gauge
25	121933X	Tube, Spacer
26	141470	Rod, Mower Lift
27	106932X	Knob, Rd
28	76020312	Pin, Cotter 3/32 x 3/4
29	131655	Link, Mower Clutch
30	73350600	Nut, Hex Jam 3/8-16
31	19132012	Washer 13/32 X 1-1/4 X 12 Gauge

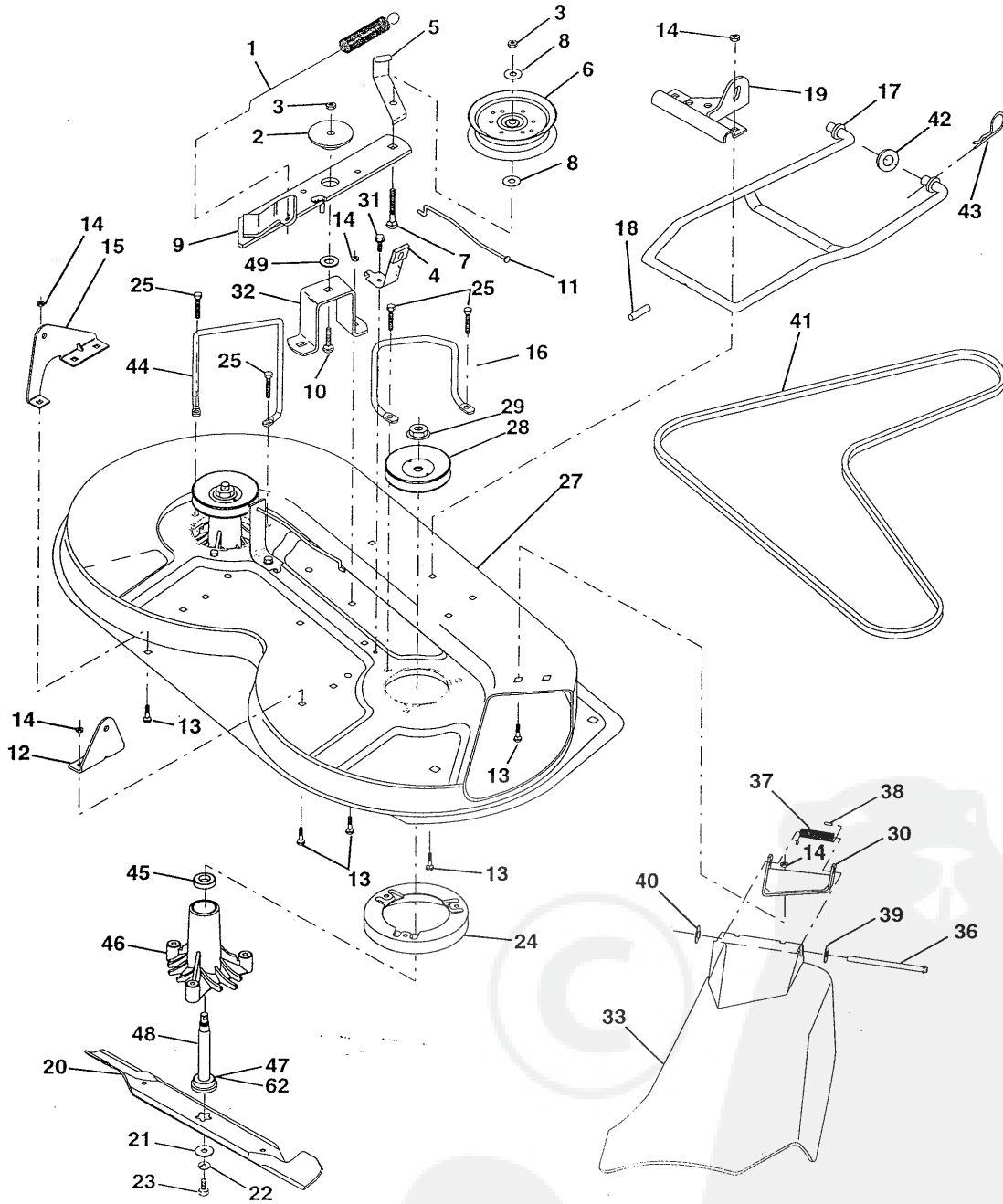
NOTE: All component dimensions given in U.S. inches  
1 inch = 25.4 mm

HARDWARE SHOWN LARGER FOR EASIER IDENTIFICATION

# REPAIR PARTS

TRACTOR - MODEL NUMBER WZ12B36A

## MOWER DECK





# REPAIR PARTS

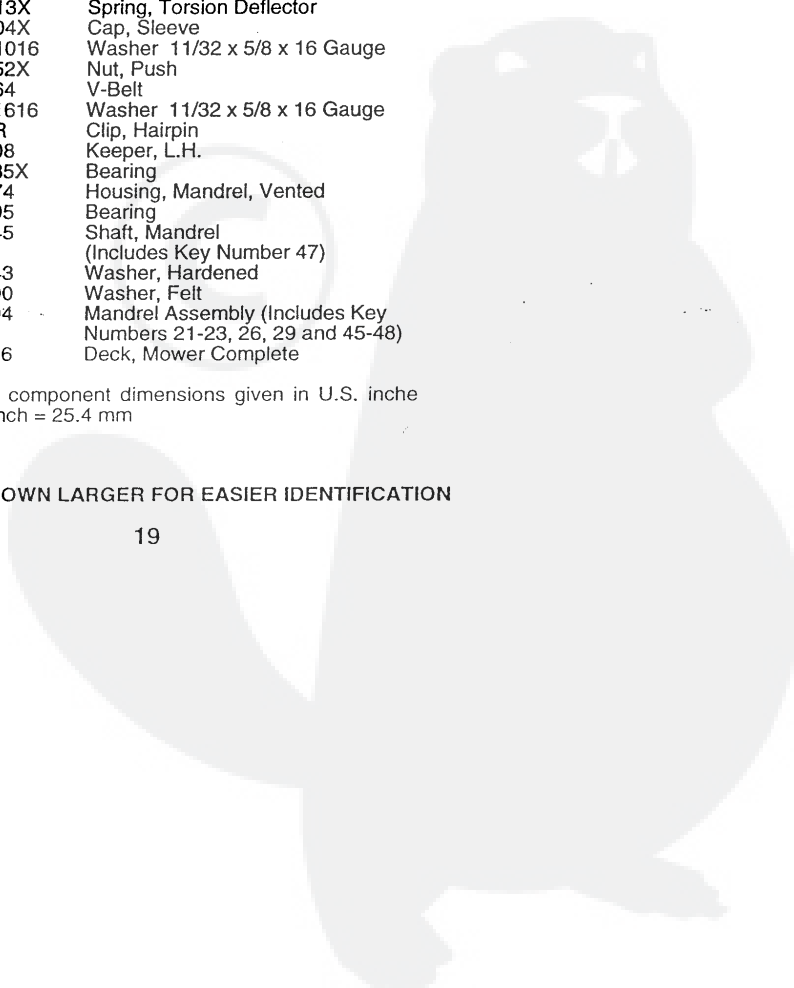
## TRACTOR - MODEL NUMBER WZ12B36A

### MOWER DECK

KEY NO.	PART NO.	DESCRIPTION
1	140064	Spring, Mower Clutch
2	122052X	Spacer, Retainer
3	73680600	Nut, Lock Hex W/Wsh 3/8-16
4	130840	Assembly, Brake
5	131251	Guide, Belt Idler
6	121316X	Idler, Flat
7	72110616	Bolt, Carriage 3/8-16 x 2 Grade 5
8	19131410	Washer 13/32 x 7/8 x 10 Gauge
9	127744	Assembly, Mower Idler Arm
10	72140610	Bolt, Carriage 3/8-16 UNC x 1-1/4
11	130841	Rod, Brake
12	127356	Bracket, Rear Lift, R.H.
13	72140506	Bolt, Carriage 5/16-18 UNC x 3/4
14	73680500	Nut, Lock Hex W/Ins. 5/16-18
15	127357	Bracket, Rear Lift, L.H.
16	153298	Keeper, R.H.
17	128508	Stabilizer, Mower Link
18	128511	Pin, Drive
19	127380	Bracket, Stabilizer Link
20	138496	Blade
21	140296	Washer, Hard
22	10030600	Washer, Lock, Heavy 3/8
23	850857	Bolt 3/8-24 x 1-1/4 Grade 8
24	140329	Stripper
25	157722	Screw, Thdrol Hex Head
27	156600	Housing, Mower
28	153531	Pulley, Mandrel
29	137266	Nut, Flangelock 9/16
30	136631	Bracket, Deflector
31	17490508	Screw, Hex Washer Head, Thd. Roll. 5/16-18 x 1/2
32	122051X	Arm, Support Idler, Mower
33	131560	Shield, Deflector
36	121980X	Rod, Hinge
37	123713X	Spring, Torsion Deflector
38	105304X	Cap, Sleeve
39	19111016	Washer 11/32 x 5/8 x 16 Gauge
40	110452X	Nut, Push
41	131264	V-Belt
42	19171616	Washer 11/32 x 5/8 x 16 Gauge
43	3146R	Clip, Hairpin
44	140608	Keeper, L.H.
45	110485X	Bearing
46	128774	Housing, Mandrel, Vented
47	129895	Bearing
48	137645	Shaft, Mandrel (Includes Key Number 47)
49	133943	Washer, Hardened
62	153390	Washer, Felt
--	130794	Mandrel Assembly (Includes Key Numbers 21-23, 26, 29 and 45-48)
--	156866	Deck, Mower Complete

**NOTE:** All component dimensions given in U.S. inches  
1 inch = 25.4 mm

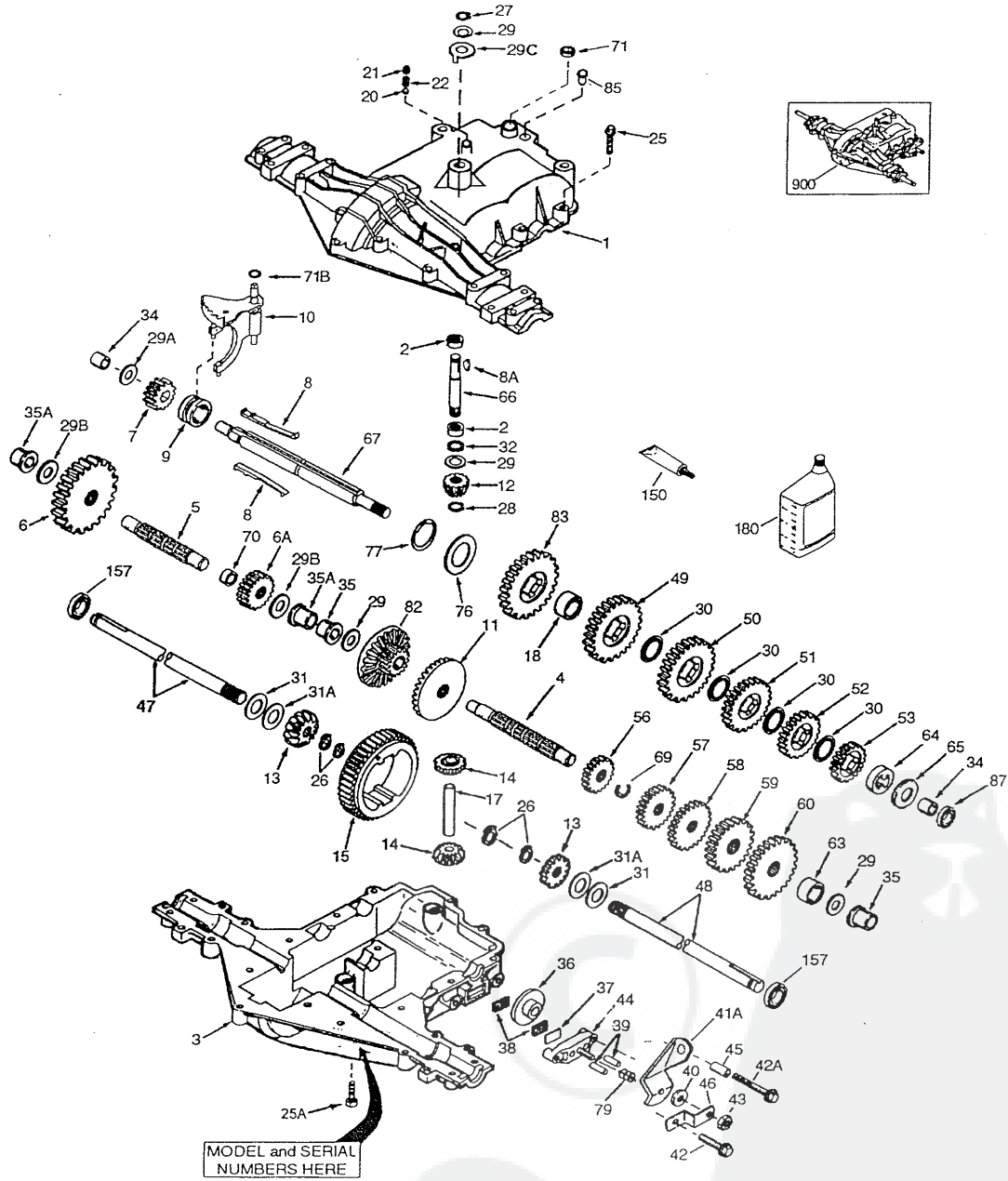
HARDWARE SHOWN LARGER FOR EASIER IDENTIFICATION



# REPAIR PARTS

TRACTOR - MODEL NUMBER WZ12B36A

PEERLESS TRANSAXLE - MODEL NUMBER 205-507B



# REPAIR PARTS

## TRACTOR - MODEL NUMBER WZ12B36A

### PEERLESS TRANSAXLE - MODEL NUMBER 205-507B

REF PART NO. NO.	DESCRIPTION	REF PART NO. NO.	DESCRIPTION
1 772147	Transaxle Cover	41A 790079	Brake Lever
2 780086A	Needle Bearing 5/8" ID	42 792073A	Screw 1/4-20 x 1-1/4"
3 770128	Transaxle Case	42A 792085A	Screw 1/4-20 x 2-1/4"
4 776395	Countershaft	43 792075	Locknut 5/16-24
5 776409	Output Shaft	44 790025	Brake Pad Holder
6 778364	Spur Gear (38 teeth)	45 786066	Spacer
6A 778369	Spur Gear (15 teeth)	46 786086	Brake Lever Bracket
7 778330	Spur Gear (11 teeth)	47 774690	Axle (11-15/16" long)
8 792180	Shift Key	48 774691	Axle (16-1/2" long)
8A 792047	Woodruff Key #9	49 778356	Spur Gear (29 teeth)
9 784352	Shift Collar	50 778354	Spur Gear (23 teeth)
10 784378	Shift Rod & Fork	51 778352	Spur Gear (19 teeth)
11 778334	Bevel Gear (30 teeth)	52 778350	Spur Gear (16 teeth)
12 778309	Input Bevel Pinion (13 teeth)	53 778346	Spur Gear (15 teeth)
13 778368	Bevel Gear (13 teeth) (Incl. 14)	56 778355	Spur Gear (11 teeth)
14 778367	Bevel Pinion (13 teeth) (Incl. 13)	57 778353	Spur Gear (17 teeth)
15 778370	Ring Gear (43 teeth)	58 778351	Spur Gear (21 teeth)
17 786188	Drive Pin	59 778349	Spur Gear (24 teeth)
18 786102	Spacer	60 778345	Spur Gear (25 teeth)
20 792077	Ball 5/16" dia	63 786071	Countershaft Spacer 1-1/8" x 3/8"
21 792078	Set Screw 3/8-16 x 3/8"	64 786072	Brake Shaft Spacer 1-3/8" x 3/8"
22 792079	Spring	65 780189	Washer
25 792073A	Screw 1/4-20 x 1-1/4"	66 776422	Input Shaft
25A 792177	Screw 1/4-20 x 1-3/8"	67 776396	Shifter & Brake Shaft
26 792125	Retaining Ring (pkg of 2)	69 792170	Retaining Ring
27 792035	Retaining Ring	70 786187	Spacer .890
28 788040	Retaining Ring	71 788069	Square Cut Ring
29 780072	Washer	71B 788092	"O" Ring
29A 780160	Washer	76 780090	Washer
29B 780051	Thrust Washer (.762 ID)	77 788078A	Inverted Retaining Ring
29C 780199	Anti-Rotation Washer .632	79 792144	Spring
30 780108	Washer	82 778333	Bevel & Spur Gear (30 & 13 teeth)
31 780001	Washer (.056 wide) (USE AS NEEDED)	83 778338	Spur Gear (27 teeth)
31A 780195	Flat Washer (.062 wide)	85 792154	Oil Fill Plug
32 788083	Oil Seal 5/8"	87 788089	Oil Seal 9/16"
34 780194	Bushing 9/16"	150 788093A	Liquid Gasket RTV Silicone
35 780193	Flanged Bushing 5/8" ID	157 788088	Oil Seal 3/4"
35A 780197	Flanged Bushing 3/4"	180 730229A	Gear Oil 80W90
36 790075	Brake Disk	900 794684	Replacement 205-507B Transaxle
37 790007	Brake Pad Plate		
38 799021	Brake Pad (pkg of 2)		
39 786026	Dowel Pin		
40 792076A	Flat Washer		

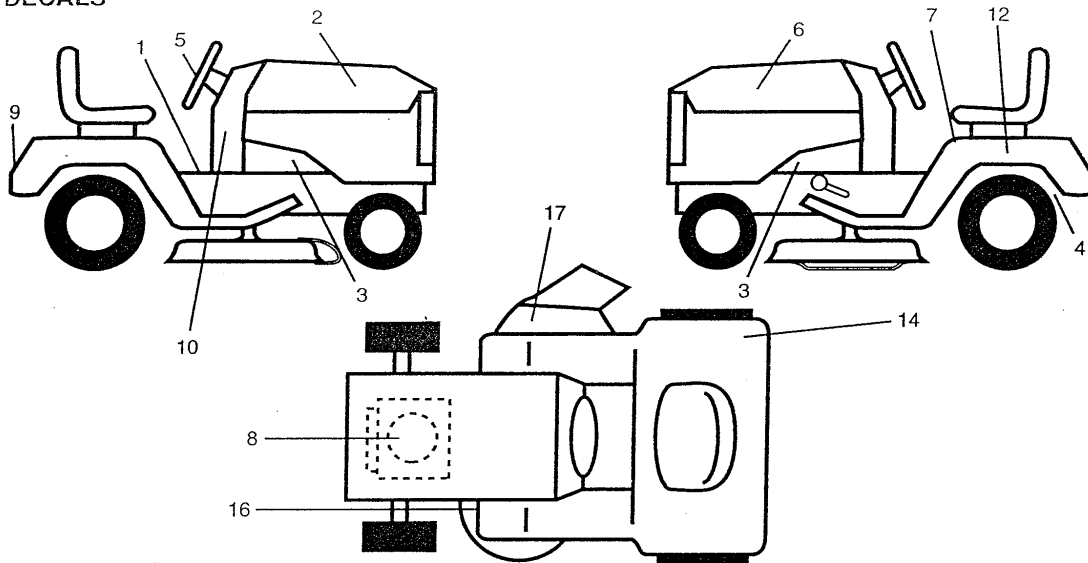
Parts must be ordered from Tecumseh Products Co.

**NOTE:** All component dimensions given in U.S. inches  
1 inch = 25.4 mm

# REPAIR PARTS

## TRACTOR - MODEL NUMBER WZ12B36A

### DECALS



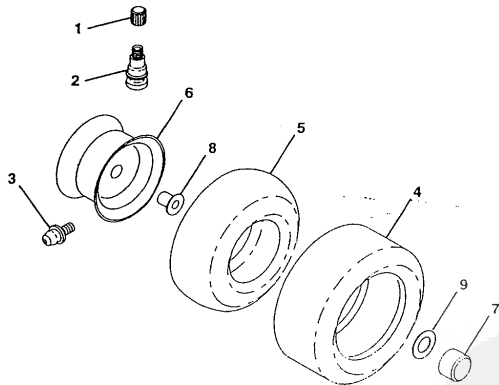
KEY NO.	PART NO.	DESCRIPTION
1	159739	Decal, Op. Instruction, Symbol (French/German/English/Dutch)
2	163773	Decal, Hood RH
3	159736	Decal, Chassis Hot Muffler
4	162598	Decal, Drawbar Load Limit
5	163770	Decal, Ins. Strg. Whl
6	163774	Decal, Hood LH
7	145498	Decal, Read, Symbol
8	272440	Decal, Engine
9	163769	Decal, Fender

KEY NO.	PART NO.	DESCRIPTION
10	145437	Decal, Europe, Stand. Ce.
12	145005	Decal, Caution, Battery
14	125690X	Decal, 100 Db
16	145494	Decal, Certification
17	136830	Decal, V-Belt, Schematic
--	138311	Decal, Lift Handle
--	157065	Manual, Operator's (Euro)
--	163648	Manual, Repair Parts

Available accessories are not included with your tractor:

- MK36 Mulcher Kit
- C36 Grass Catcher

### TIRES & WHEELS

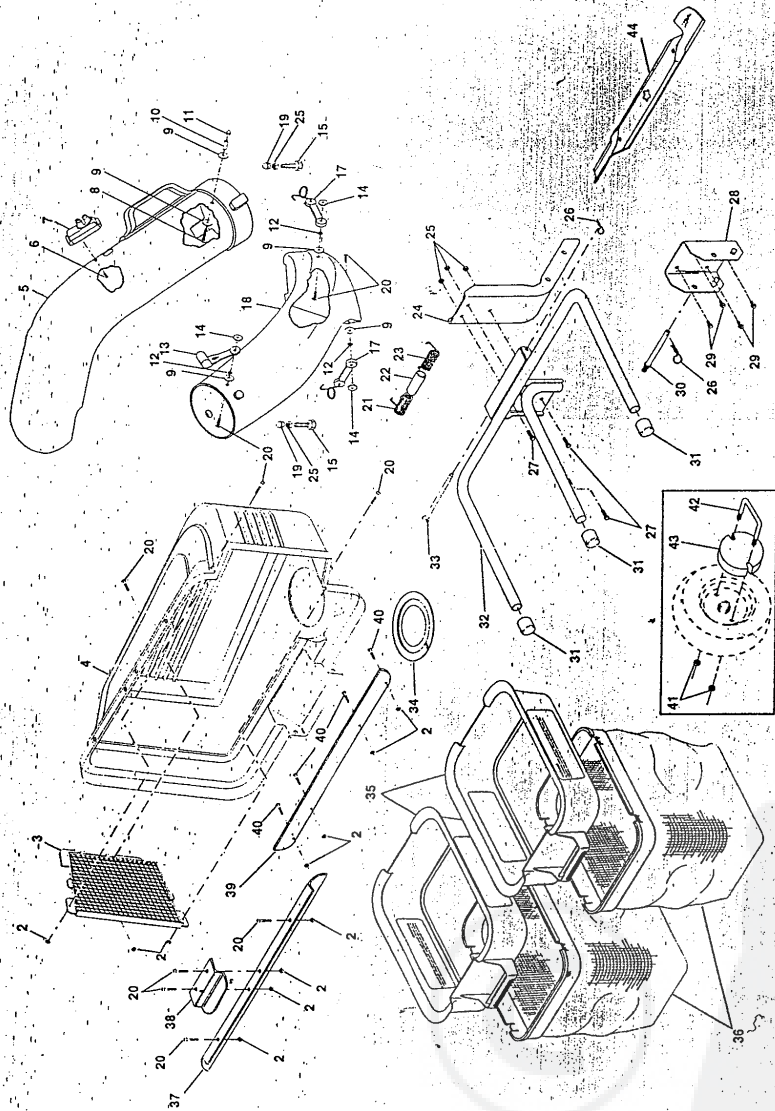


KEY NO.	PART NO.	DESCRIPTION
1	59192	Cap, Valve
2	65139	Stem, Valve
3	278H	Fitting, Grease (Front Only)
4	137422	Tire, Front
	132703	Tire, Rear
5	59904	Tube, Tire, Front
	8134H	Tube, Tire, Rear (Optional, Service Items Only)
6	137237X427	Rim Assembly, Front
	140325X427	Rim Assembly, Rear
7	104757X	Cap, Axle
8	9040H	Bearing, Flange (Front Only)
9	121748X	Washer, Axle Cap
--	144334	Sealant, Tire (10 Ounce Tube)

NOTE: All component dimensions given in U.S. inches  
1 inch = 25.4 mm

~~CLT 306~~

REPAIR PARTS/PIÈCES DE RECHANGE



## LISTE DES PIÈCES DE RECHANGE

KEY PART NO.	DESCRIPTION	DESCRIPTION	KEY PART NO.	DESCRIPTION	DESCRIPTION
2	Locknut #10-24	Écrou frein	26	532124670	Ressort de retenue
3	Screen, Cover	Grillage de couvercle	27	874760512	Boulon H 5/16-18 x 3/4
4	532140654	Cover	28	532130889	Support de montage
5	532128598	Chute, Upper	29	817490508	Vis à filets laminés 5/16-18 x 1/2
6	818021008	Screw, Special	30	532131137	Couplure de poteau de soutien
7	532140572	Indicator, Dump Bag	31	532134496	Chapeau de l'extrémité de tuyau
8	532087175	Screw, #10-24 x 1-1/8	32	532126919	Cadre de ramasse-herbe
9	819061216	Washer 3/16 x 3/4 x 16 Ga.	33	532128600	Pin, Hinge
10	532007206	Spacer, Split	34	532127534	Goupille de charnière
11	532060667	Nut, Acorn #10-24	35	532129585	Garniture de couvercle
12	810071000	Washer, lock	36	532132431	Sommet de conteneur
13	532109808	Latch, Chute	37	532132256	Fond de conteneur
14	532125004	Nut, Weld	38	532130895	Sceau de couvercle
15	874930516	Bolt, Hex 5/16-18 x 1	39	532135495	Poignée de loquet de couvercle
16	532130758	Latch, Assy., Bagger	40	871161010	Ruban d'étanchéité
17	532128599	Chute, Lower	41	873800600	Écrou frein 3/8-16
18	532133841	Nut, Acorn 5/16-18	42	532137031	U-Bolt
19	871161010	Screw #10-24 x 5/8	43	532128635	Poids de roue
20	532132796	Spring, Cover L.H. (black)	44	532136496	Lame de levage haut
21	532133235	Spring, Cover R.H. (gray)	—	532104419	Sac-poubelle, 3.0 mil. 30 gallon
22	532133235	Spacer, Cover	—	532142001	Manuel du propriétaire
23	532132863	Post, Support			
24	532127720	Locknut 5/16 x 18			
25	532063124				