

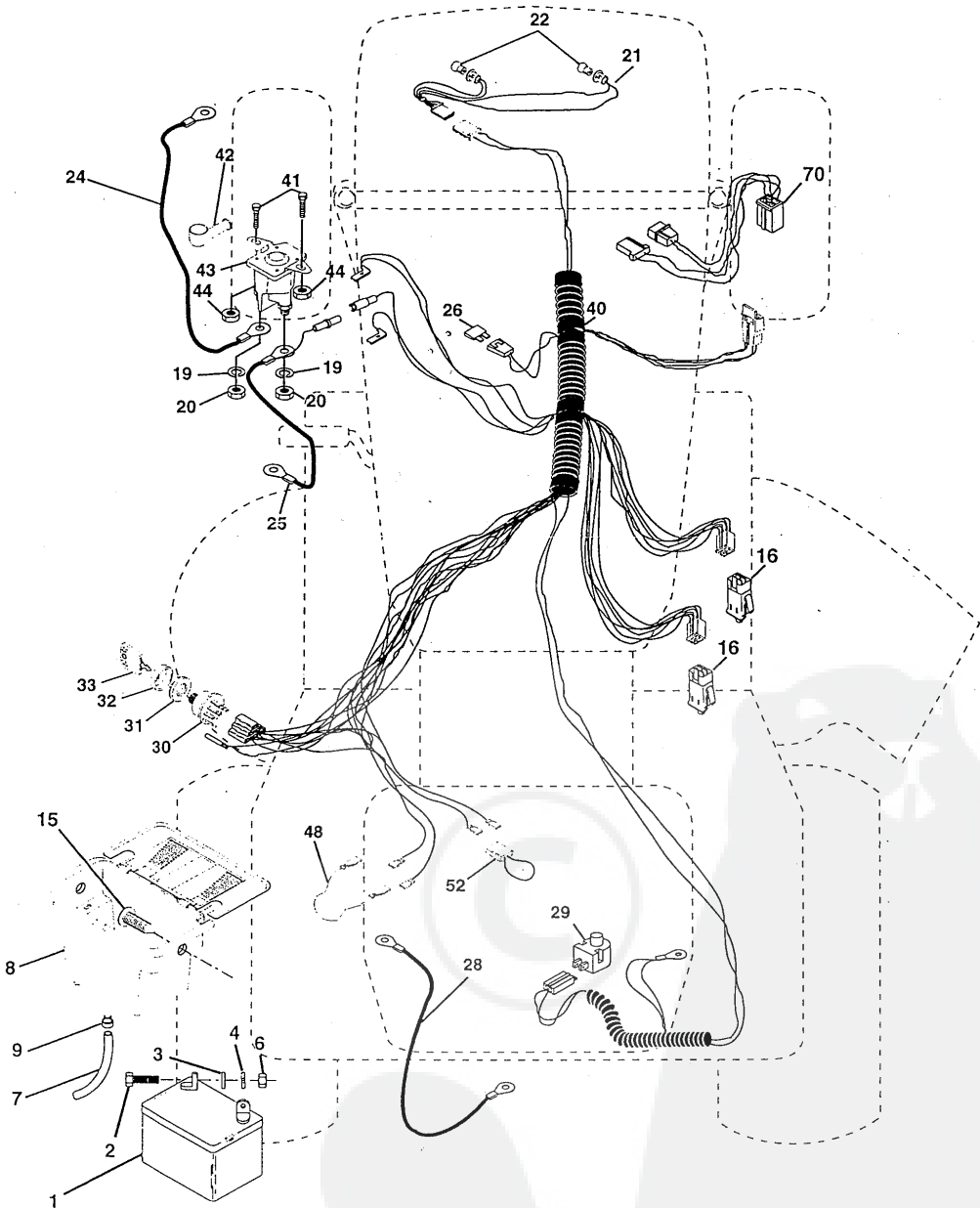
**ASSEMBLY/REPAIR
PARTS MANUAL
MODEL NO. TM145H42A
Lawn Tractor**

MOD 37 ROUGE (SANS VOT)

REPAIR PARTS

TRACTOR -- MODEL NUMBER TM145H42A

ELECTRICAL



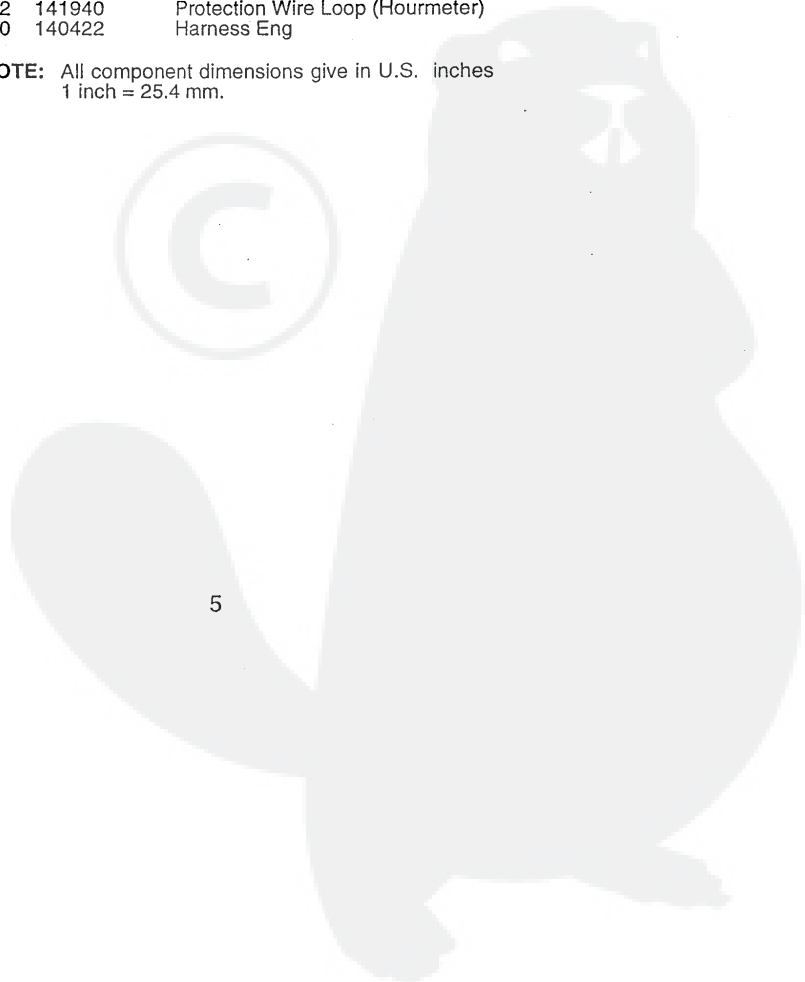
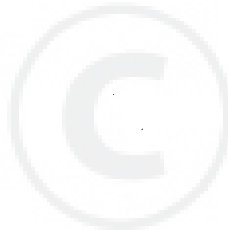
REPAIR PARTS

TRACTOR - - MODEL NUMBER TM145H42A

ELECTRICAL

KEY NO.	PART NO.	DESCRIPTION
1	144925	Battery 12 Volt 25 Amp
2	74760412	Bolt Hex Hd 1/4-20unc X 3/4
3	19091016	Washer 9/32 X 5/8 X 16 Ga
4	10040400	Washer Lock Hvy Helical 1/4
6	73220400	Nut Fin Hex 1/4-20 Unc
7	109238X	Tube Plastic 12"
8	156417	Case Battery
9	109596X	Clamp Hose Olive
15	147688	Fastener Snap-In
16	153664	Switch Interlock Push-In
19	10090400	Washer Lock 1/4
20	73350400	Nut Jam Hex 1/4-20 Unc
21	136850	Harness Asm Light W/4152J
22	4152J	Bulb Light #1156
24	4799J	Cable Battery 6 Ga 11"red
25	146147	Cable Battery 6 Ga w/16 wire,red
26	108824X	Fuse 30 AMP Auto Green
28	4207J	Cable Ground 6 Ga 12" black
29	121305	Switch Plunger Nc Gray
30	140301	Switch Ign 3
31	124211X	Nut Ignition
32	141226	Cover Sw Ignition
33	122147X	Key Ign Molded Generic
40	156442	Harness Ign
41	71110408	Bolt Blk Fin Hex 1/4-20unc X 1/2
42	131563	Cover Terminal Red
43	145673	Solenoid
44	73640400	Nut Keps Blk Hex 1/4-20 unc
48	140844	Adapter Ammeter Rectangular
52	141940	Protection Wire Loop (Hourmeter)
70	140422	Harness Eng

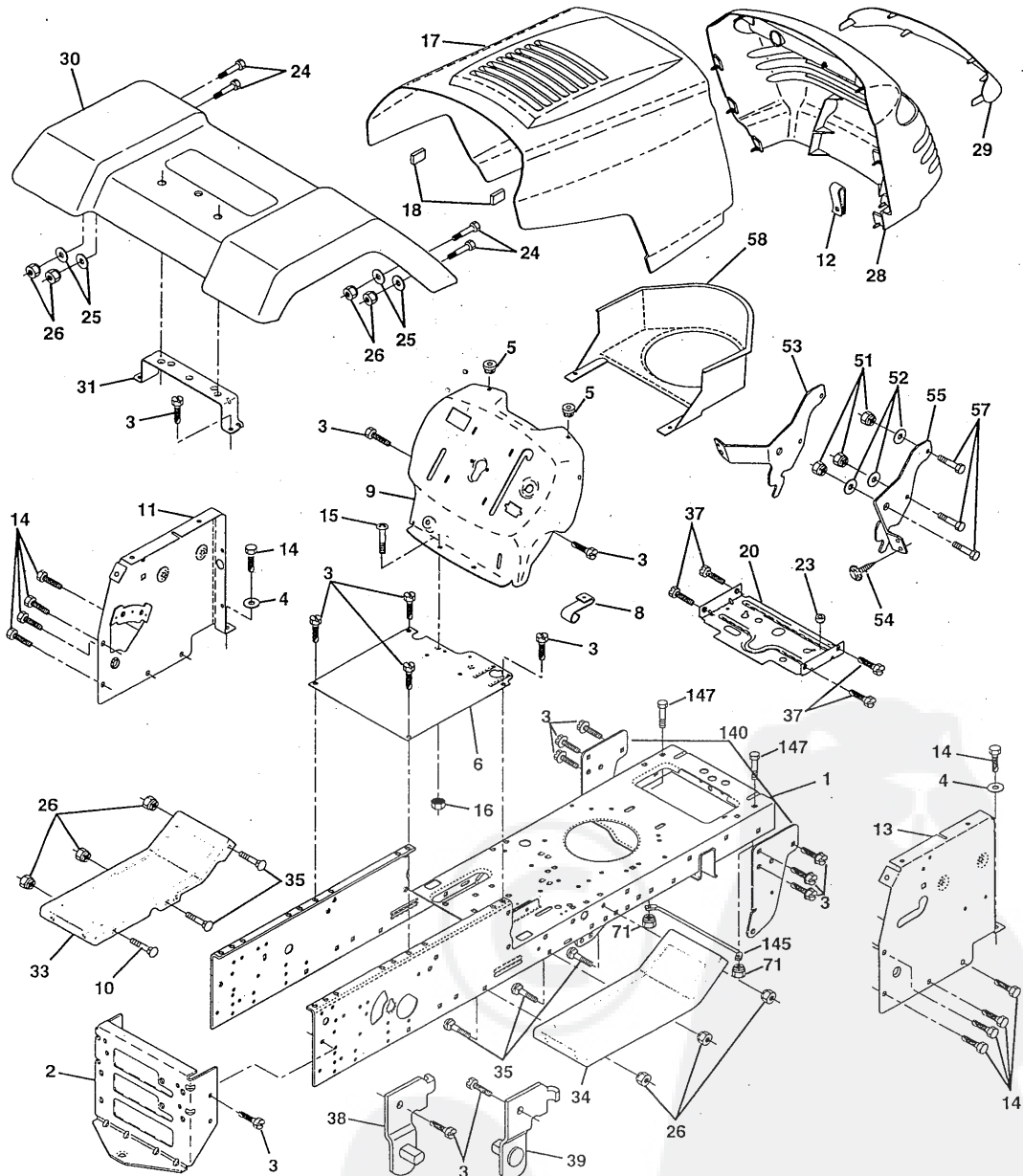
NOTE: All component dimensions give in U.S. inches
1 inch = 25.4 mm.



REPAIR PARTS

TRACTOR -- MODEL NUMBER TM145H42A

CHASSIS AND ENCLOSURES



REPAIR PARTS

TRACTOR - - MODEL NUMBER TM145H42A

CHASSIS AND ENCLOSURES

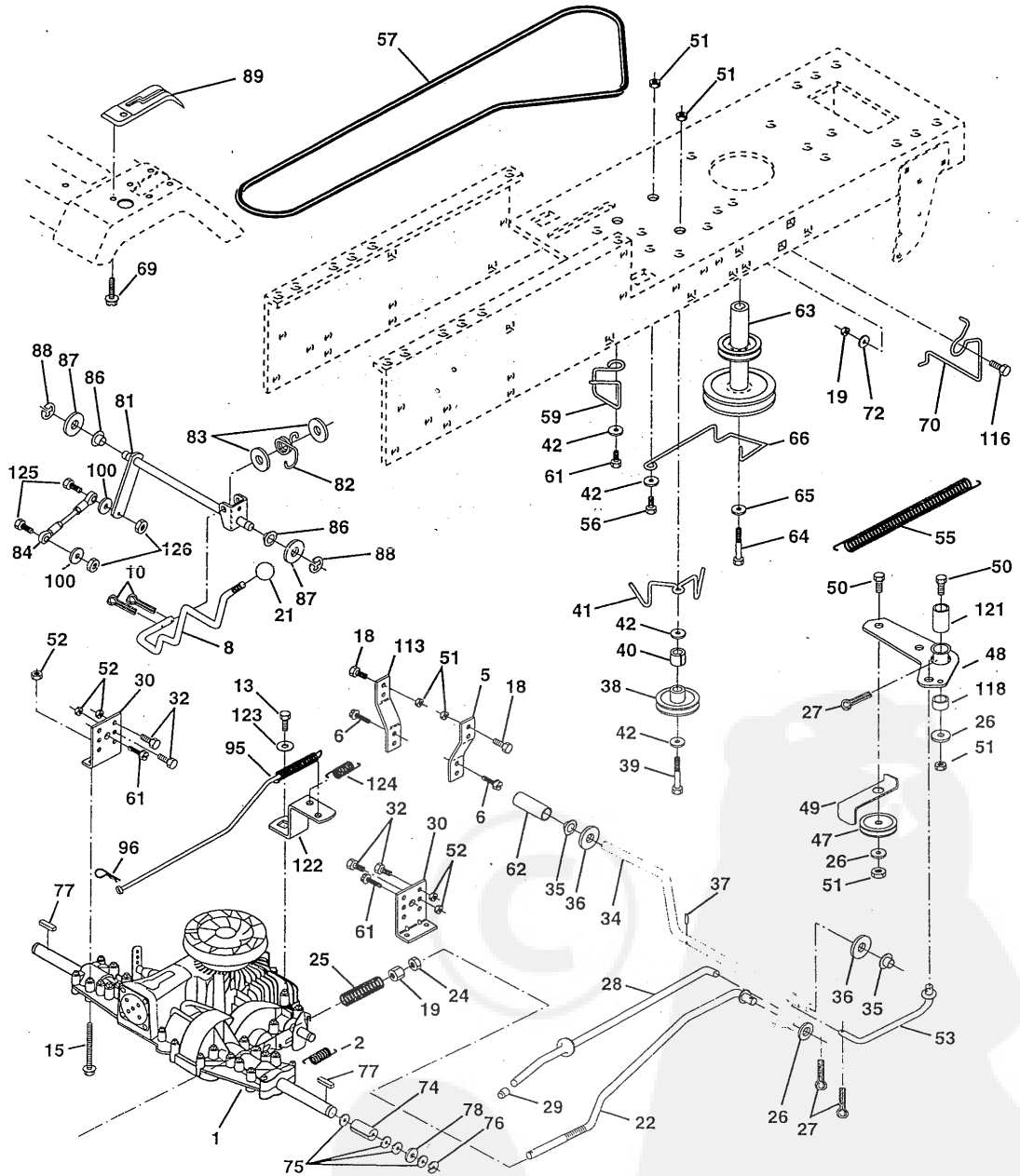
KEY NO.	PART NO.	DESCRIPTION
1	159530	Chassis Weldment
2	140356	Drawbar, Stretch 94
3	17490612	Screw, Thdrol. 3/8-16 x 3/4 Ty-TT
4	19131216	Washer 13/32 x 3/4 x 16 Gauge
5	155272	Bumper Hood/Dash
6	155923	Saddle LT Fender Shift
8	126471X	Clip Retainer Slide-On
9	147627X011	Dash P/L
10	72140608	Bolt, Rdhd Sqnk 3/8-16 x 1
11	155927	Panel Asm. Dash LH
12	145660	Clip Tinnerman Grille P/L
13	155934X010	Dash, Panel RH
14	17490608	Screw Thdrol 3/8-16 x 1/2 Ty-tt
15	74180512	Screw Mach.Trhd 5/16-18 UNC x 3/4
16	73510500	Nut Keps 5/16-18 UNC
17	139394X505	Hood Pnt Stl PL
18	126938X	Bumper Hood
20	156437	Plate Mtg. Battery Fuel Tank
23	124028X	Bushing Snap Nyl Blk Fuel Line
24	74780616	Bolt, Hex, Fin. 3/8-16UNC x 1 Gr. 5
25	19131312	Washer 13/32 x 13/16 x 12 Gauge
26	73800600	Nut Lock Hex w/Ins. 3/8-16 Unc
28	157373	Grille
29	140273	Lens Grille
30	140001X505	Fender Pnt
31	136619	Bracket Fender
33	145244X505	Footrest Pnt., LH
34	145243X505	Footrest Pnt., RH
35	72110606	Bolt Rdhd Sht. Sqnk 3/8-16 X 3/4
37	17490508	Screw Thdrol 5/16-18 x 1/2 Tyt
38	139886	Bracket Asm. Pvt. LH Mower Rear
39	139887	Bracket Asm. Pvt. RH Mower Rear
51	73800400	Nut Lock Hex W/Ins 1/4-20
52	19091416	Washer 9/32 x 7/8 x 16 Ga.
53	144697	Bracket, Grille LH
54	17030814	Screw Lock Spider #8 x 7/8
55	144696	Bracket Grille RH
57	74780412	Bolt Fin Hex 1/4-20 x 3/4
58	150127	Air Duct Engine P/L
71	73680400	Nut Crownlock 1/4-20 unc
140	158418	Bracket Suspension Front
145	156524	Rod Pivot Chassis/Hood
147	74760412	Bolt Hex Hd 1/4-20 unc x 3/4
--	5479J	Plug Btn Blk .359 Dia Ch/Inf

NOTE: All component dimensions given in U.S. inches
1 inch = 25.4 mm

REPAIR PARTS

TRACTOR -- MODEL NUMBER TM145H42A

DRIVE



REPAIR PARTS

TRACTOR -- MODEL NUMBER TM145H42A

DRIVE

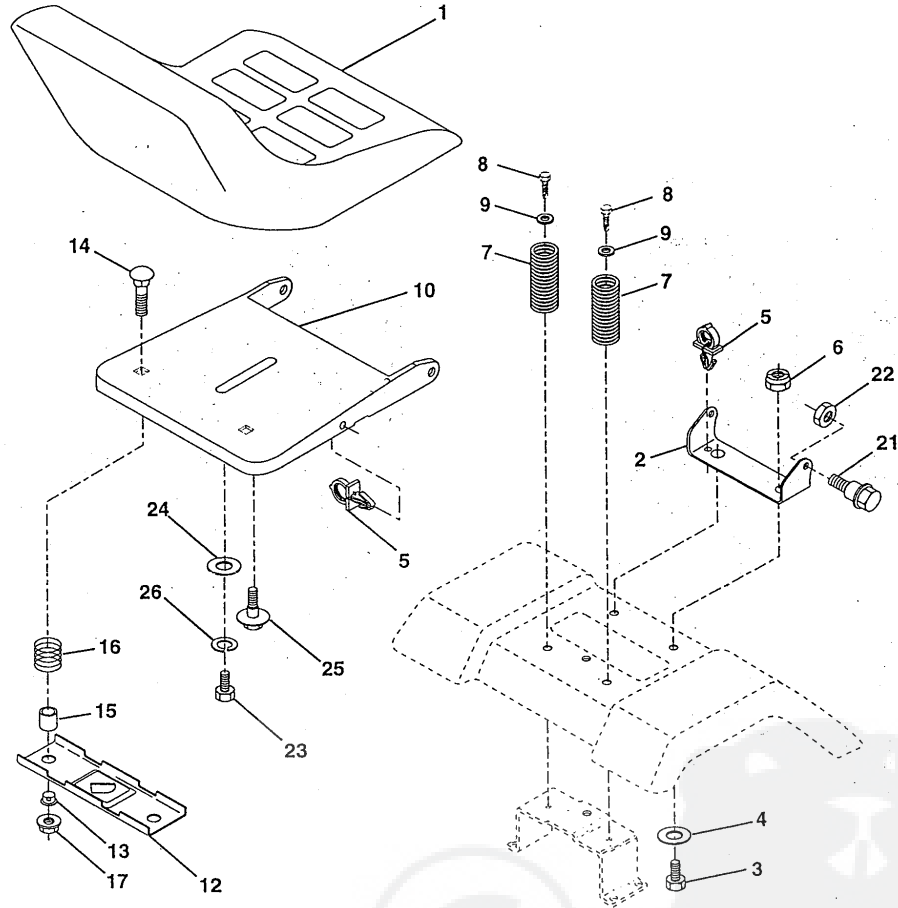
KEY NO.	PART NO.	DESCRIPTION	KEY NO.	PART NO.	DESCRIPTION
1	-----	Transaxle (See Breakdown)	57	156971	V-Belt, Ground Drive
		Peelrless Model 205-027B	59	140312	Keeper, Center Span
2	146682	Spring, Return, Brake	61	17490612	Screw Thdrol. 3/8-16 x 3/4 Ty. TT
6	17490512	Screw Thdrol 5/16-18 x 3/4	62	8883R	Cover, Pedal
8	141003	Rod Shift Hydro YT	63	140186	Pulley, Engine
10	76020416	Pin Cotter 1/8 x 1 CAD	64	71170764	Bolt Hex 7/16-20 x 4 Gr.5
13	74550412	Bolt 1/4-28 Unf Gr. 8 W/Patch	65	10040700	Washer
15	74490544	Bolt, Hex FLGHD 5/16-18 Gr. 5	66	154778	Keeper Belt Engine
18	74780616	Bolt Fin Hex 3/8-16 Unc x 1 Gr. 5	69	142432	Screw
19	73800600	Nut Lock Hex W/Wsh 3/8-16 Unc	70	134683	Guide Belt Mower Drive RH
21	106933X	Knob, Rd. 1/2-13	72	19132012	Washer 13/32 x 1-1/4 x 12 Ga.
22	130804	Rod, Brake	74	156972	Spacer, Axle PVST
24	73350600	Nut	75	121749X	Washer 25/32 x 1-1/4 x 16 Gauge
25	106888X	Spring, Brake Rod	76	12000001	E-Ring
26	19131316	Washer	77	123583X	Key, Square
27	76020412	Pin Cotter 1/8 x 3/4 CAD.	78	121748X	Washer 25/32 x 1-5/8 x 16 Gauge
28	145204	Rod, Parking Brake	81	158461	Shaft Asm. Cross Hydro 18" Tires
29	71673	Cap, Parking Brake	82	123782X	Spring Torsion T/A
30	130807	Bracket, Transaxle	83	19171216	Washer 17/32 x 3/4 x 16 Ga.
32	74760512	Bolt Hex Hd 5/16-18 Unc x 3/4	84	158286	Rod, Tie Pvst 18"
34	155071	Shaft, Foot Pedal	86	71208	Bushing Rod Strig. 629/632 ID
35	120183X	Bearing, Nylon	87	19212016	Washer 21/32 x 1-1/4 x 16 Ga.
36	19211616	Washer	88	12000008	Ring Klip #5304-62
37	1572H	Pin, Roll	89	151147	Consoie, Shift
38	123674X	Pulley, Idler, Flat	95	156970	Rod Asm Bypass Pvst
39	74760644	Bolt	96	4497H	Retainer Spring 1" Zinc/Cad
40	4470J	Spacer, Split	100	19111216	Washer 11/32 x 3/4 x 16 Ga.
41	154777	Keeper, Belt	113	127285X	Strap Torque Lh
42	19131312	Washer 13/32 x 13/16 x 12 Gauge	116	72110610	Bolt Rdhd Sq Neck 3/8-16 x 1.25
47	127783	Pulley, Idler, V-Groove	118	154774	Spacer Bellcrank
48	154604	Bellcrank Assembly	121	154419	Nyliner Clutching STL
49	123205X	Retainer, Belt	122	156963	Plate Bypass Pvst
50	74760624	Bolt	123	19091016	Washer 9/32 x 5/8 x 16 Ga.
51	73680600	Nut Crownlock 3/8-16 UNC	124	156967	Spring Return Pvst
52	73680500	Nut Crownlock 5/16-18 UNC	125	74780516	Bolt Fin Hex 5/16-18unc x 1.00
53	105710X	Link, Clutch	126	1685H	Nut Lock 5/16-18 Nc Thd
55	105709X	Spring, Return, Clutch			
56	74760620	Bolt Fin Hex 3/8-16 UNC x 1-1/4			

NOTE: All component dimensions give in U.S. inches
1 inch = 25.4 mm.

REPAIR PARTS

TRACTOR - - MODEL NUMBER TM145H42A

SEAT



KEY NO.	PART NO.	DESCRIPTION
1	127428	Seat
2	140551	Bracket, Pivot, Seat
3	74760616	Bolt
4	19131610	Washer 13/32 x 1 x 10 Ga.
5	145006	Clip, Push-in
6	73800600	Nut
7	124181X	Spring, Seat
8	17490616	Screw, Thdrol 3/8-16 x 1
9	19131614	Washer 13/32 x 1 x 14 Ga.
10	155925	Pan, Seat
12	121246X	Bracket, Mounting, Switch, Seat
13	121248X	Bushing, Nylon

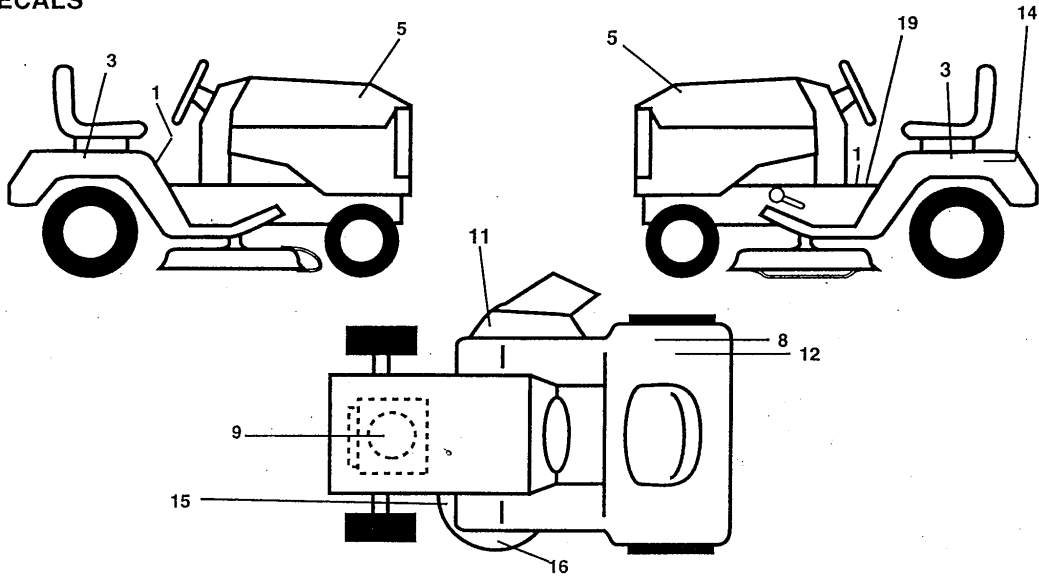
KEY NO.	PART NO.	DESCRIPTION
14	72050411	Nut, Crownlock 1/4-20 x 1-3/8
15	134300	Spacer, Split
16	121250X	Spring
17	123976X	Nut, Lock, Flange 1/4 Gr. 5
21	153236	Bolt, Shoulder 5/16-18 UNC
22	73800500	Nut
23	74780814	Bolt Fin Hex 1/2 - 13 x 7/8 Gr. 5
24	19171912	Washer 17/32 x 1-3/16 x 12 Ga.
25	127018X	Bolt Shoulder 5/16-18 x .62
26	10040800	Washer Lock Hvy Hcld Spr 1/2

NOTE: All component dimensions given in U.S. inches:
1 inch = 25.4 mm

REPAIR PARTS

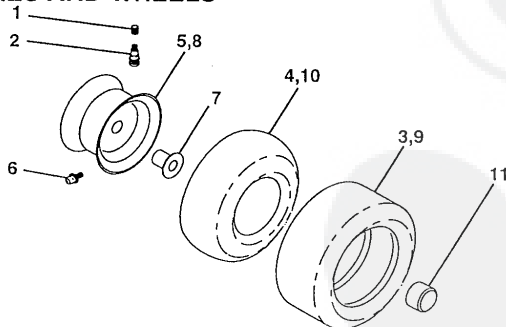
TRACTOR - - MODEL NUMBER TM145H42A

DECALS



KEY NO.	PART NO.	DESCRIPTION	KEY NO.	PART NO.	DESCRIPTION
1	145498	Decal, Read Owners Manual	--	142341	Decal, Drawbar Cntrl. Mvt. Hyd. LT
3	152112	Decal, Fender Auto White	--	159614	Manual Op(erators (Euro)
5	1159646	Decal, HP Hood	--	159615	Manual, Repair Parts
8	145437	Decal, Europe Stand CE	Accessories not included with your tractor:		
9	272991	Decal, HP Engine	--	LBD48	48" Snow Blade
11	145494	Decal, Mower Cutfingr Symbol	--	LSB42	42" Snow Blower
12	125690X	Decal 100 DBA	--	C42	Grass Catcher
14	145005	Decal, Btry Dngr/Psn P/L Sym	--	LC05	33# Wheel Wts., Pair
15	136832	Decal, V-Belt	--	LA018	Tire Chains
16	134999	Decal, Enviro, Deck, White	--	MK420	Mulching Kit
19	140837	Decal, Parking Brake			
--	133671	Pad Footrest			
--	138311	Decal, Handle, Lift, Height Adjust (Lift Handle)			

TIRES AND WHEELS



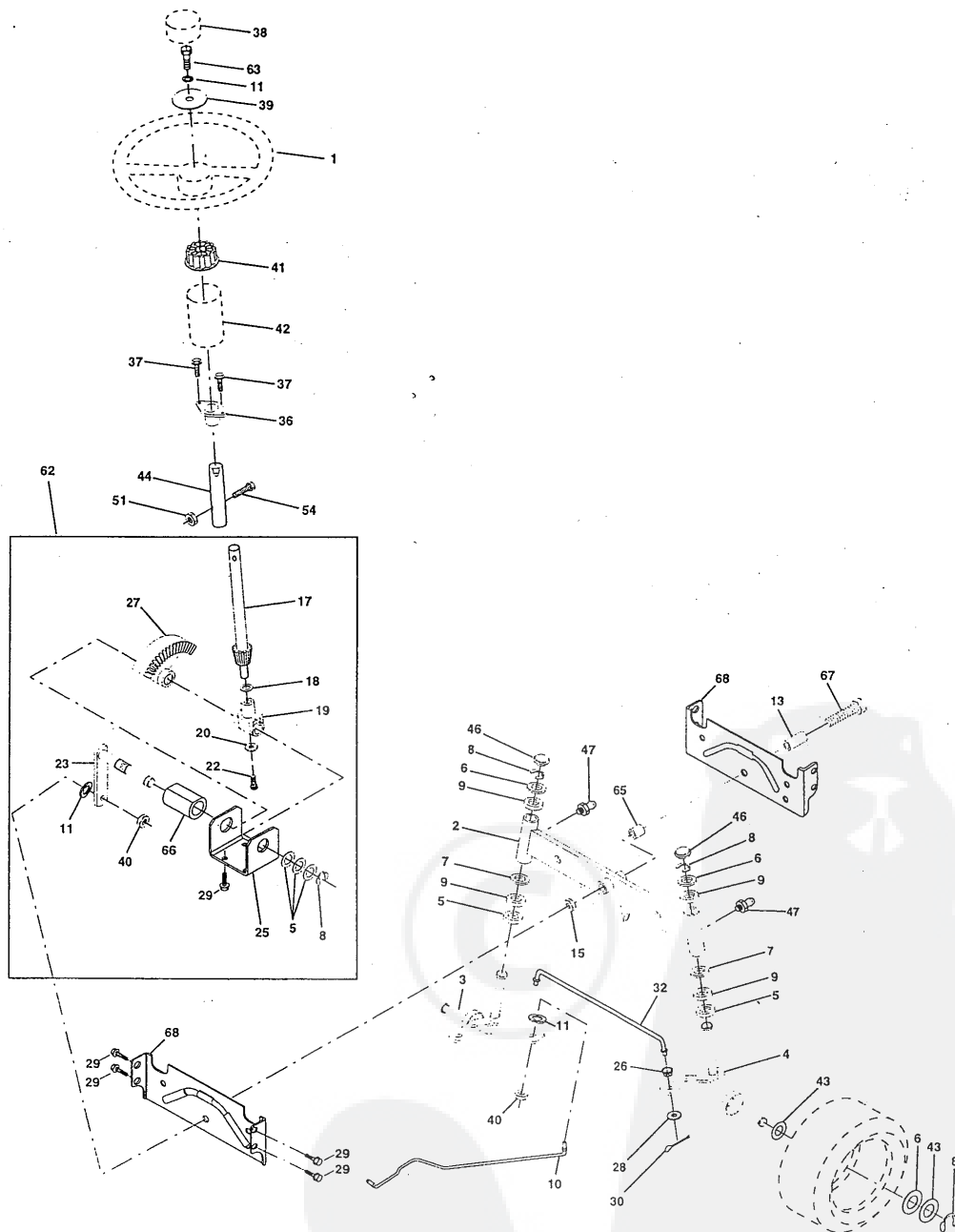
KEY NO.	PART NO.	DESCRIPTION
1	59192	Cap, Valve
2	65139	Stem, Valve
3	106222X	Tire Front
4	59904	Tube, Front (not furnished)
5	106732X427	Rim, Asm. Front
6	278H	Grease Fitting (rear tire only)
7	9040H	Bearing, Flange (front tire only)
8	106108X427	Rim, Asm. Rear
9	106268X	Tire, Rear TS. 18 x 9.5 - 9 C. Service
10	7152J	Tube, Rear (not furnished)
11	104757X	Cap, Axle
--	144334	Sealant, Tire (10 oz. Tube)

NOTE: All component dimensions given in U.S. inches:
1 inch = 25.4 mm

REPAIR PARTS

TRACTOR -- MODEL NUMBER TM145H42A

STEERING WHEEL



REPAIR PARTS

TRACTOR - - MODEL NUMBER TM145H42A

STEERING WHEEL

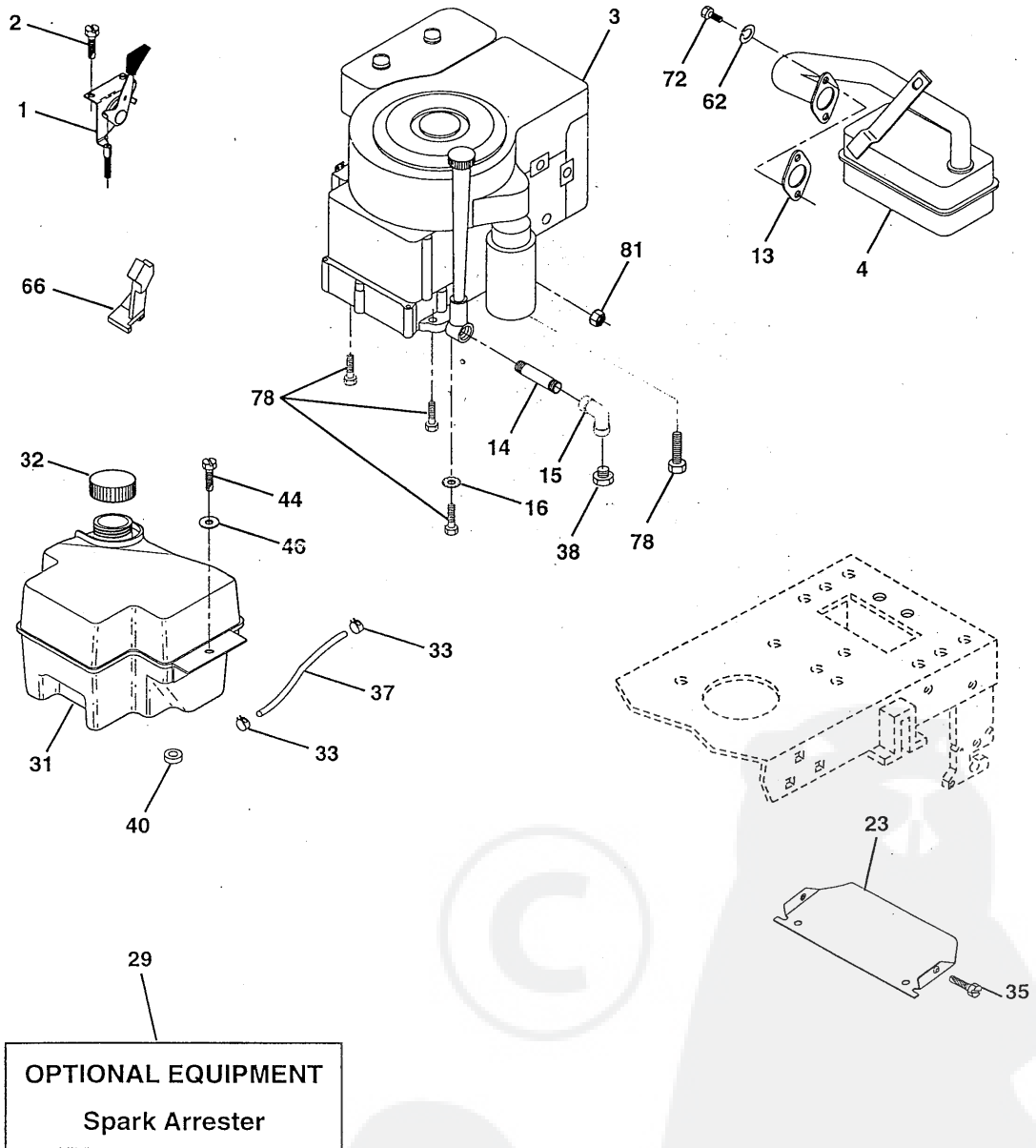
KEY NO.	PART NO.	DESCRIPTION
1	133741	Wheel Steering
2	154427	Axle Asm Front
3	156483	Spindle Asm LH
4	157473	Spindle Asm RH
5	6266H	Bearing, Race, Thrust Hardened
6	121748X	Washer 25/32 X 1-5/8 X 16 Ga
7	19272016	Washer 27/32 X 1-1/4 X 16 Ga
8	12000029	Ring Klip
9	3366R	Bearing
10	156438	Link Drag
11	10040600	Washer Lock Hvy Hlcl Spr 3/8
13	154779	Bearing Axle Still/Gt
15	73901000	Locknut, Hex, Jam, w/Washer Insert 5/8-11 Unc
17	156546	Steering, Assembly Shaft
18	57079	Washer Thrust 515x 750x 033
19	124035X	Support Shaft
20	126684X	Washer Shim 1/4 X 5/8 X .062
22	71200410	Screw Hex Socket 1/4-20 x 5/8
23	127501	Shaft Asm Pittman
25	154406	Bracket Steering
26	126847X	Bushing Link Drag Blk Lr
27	136874	Gear Sector
28	19131416	Washer 13/32 x 7/8 x 16 Ga.
29	17490612	Screw Thdrol. 3/8-16x3/4 Ty-tt
30	76020412	Pin Cotter 1/8 x 3/4 CAD
32	130465	Rod Connecting
36	155099	Bushing Steering
37	152927	Screw TT #10-32 X 5 x 3/8 Flange
38	133742	Cap Wheel Steering
39	19133808	Washer 13/32 x 2-3/8 x 8 Ga
40	7810H	Nut Lock Center 3/8-24 Unf
41	100711L	Adapter Wheel Strg
42	145054	Boot Shaft Steering
43	121749X	Washer 25/32 X 1 1/4 X 16 Ga
44	153720	Extension Steering
46	121232X	Cap Spindle
47	6855M	Fitting Grease
51	73800500	Nut Lock Hex W/Ins. 5/16-18 Unc P
54	74780520	Bolt Fin Hex 5/16-18 Unc 6 x 1-1/4
62	156594	Kit Steering Asm.
63	74780616	Bolt Fin Hex 3/8-16unc x 1 Gr. 5
65	154780	Spacer Axle
66	154404	Bearing Arm Pittman
67	74781044	Bolt Fin Hex 5/8-11 UNC x 2-3/4
68	154429	Brscce Axle

NOTE: All component dimensions given in U.S. inches
1 inch = 25.4 mm

REPAIR PARTS

TRACTOR - - MODEL NUMBER TM145H42A

ENGINE



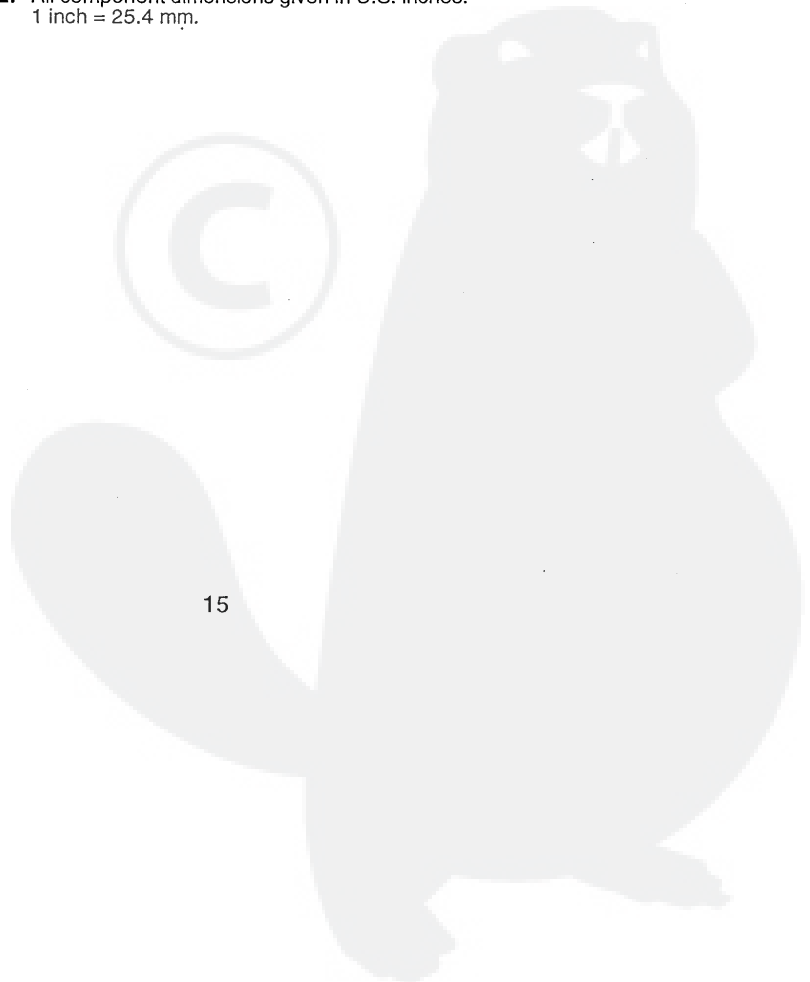
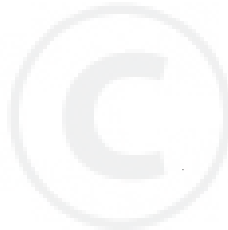
REPAIR PARTS

TRACTOR - - MODEL NUMBER TM145H42A

ENGINE

KEY NO.	PART NO.	DESCRIPTION
1	141359	Control Th/ch
2	17720410	Screw Hex Thd Cut 1/4-20x5/8 T
3	-----	Engine Briggs Model No. 287707
4	137352	Muffler Exhaust B&S
13	272293	Gasket Eng 1 313 Id Tin Plated
14	13280324	Nipple Pipe 3/8 Npt X 3"
15	13200300	Elbow Std 90 Degree 3/8-18 Npt
16	11050600	Washer Lock Ext Tooth 3/8
23	156123	Shield Browning
29	137180	Kit Spark Arrestor (Flat Scrn)
31	140280	Tank Fuel Front 2 00
32	140527	Cap Asm Fuel
33	123487X	Clamp Hose Blk
35	17490512	Screw Thdrol 5/16-18 x 3/4
37	137040	Line Fuel
38	-----	Plug Oil Drain (Order From Engine Manufacturer)
40	124028X	Bushing Snap Nyl Blk Fuel Line
44	17490412	Screw Hexwsh Thdrol 1/4-20x3/4
46	19091416	Washer 9/32 X 7/8 X 16 Ga
62	10040500	Washer 5/16
66	127951	Stop Throttle
72	71070512	Screw 5/16-18 x 3/4
78	17490620	Screw Thdrol 3/8-16x1-1/4 TYTT
81	128861	Nut Flange 1/4-20 Starter Nut

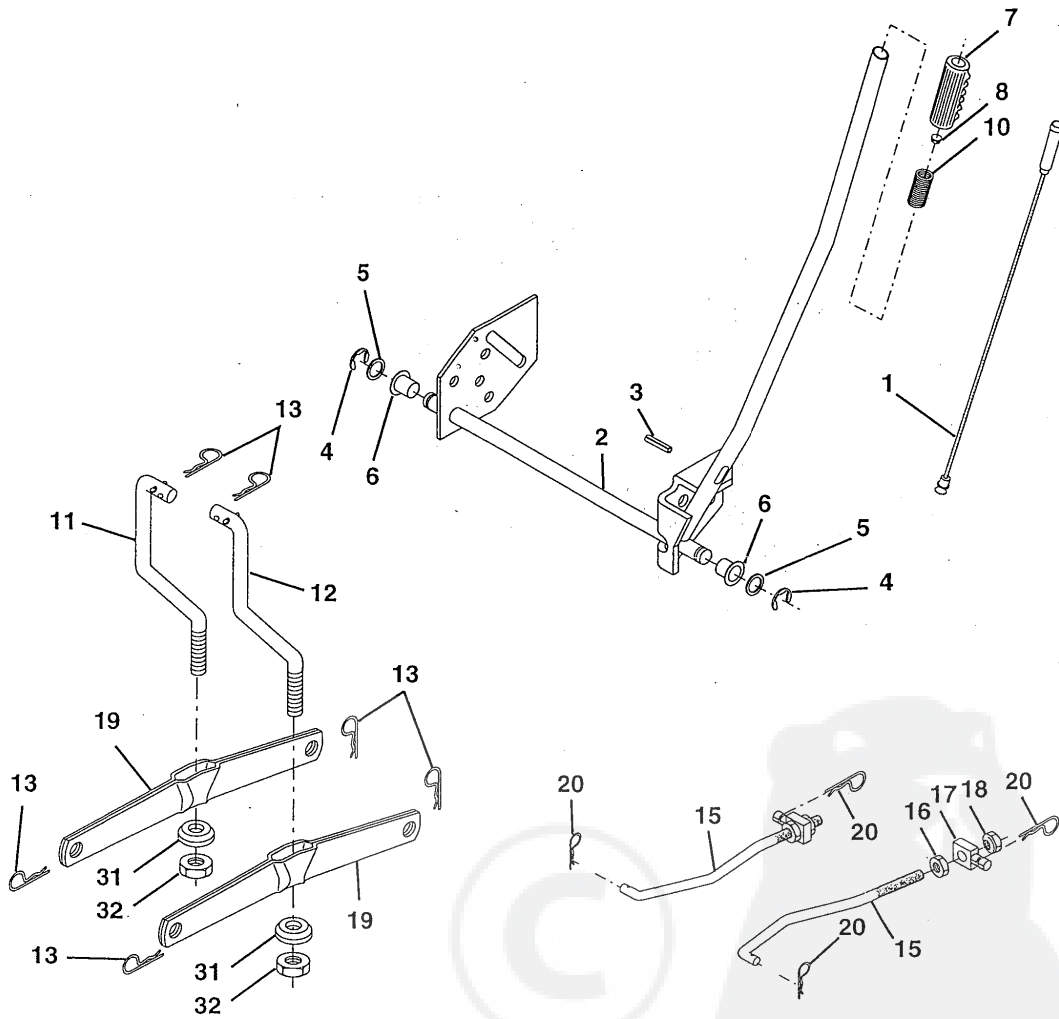
NOTE: All component dimensions given in U.S. inches.
1 inch = 25.4 mm.



REPAIR PARTS

TRACTOR -- MODEL NUMBER TM145H42A

MOWER LIFT



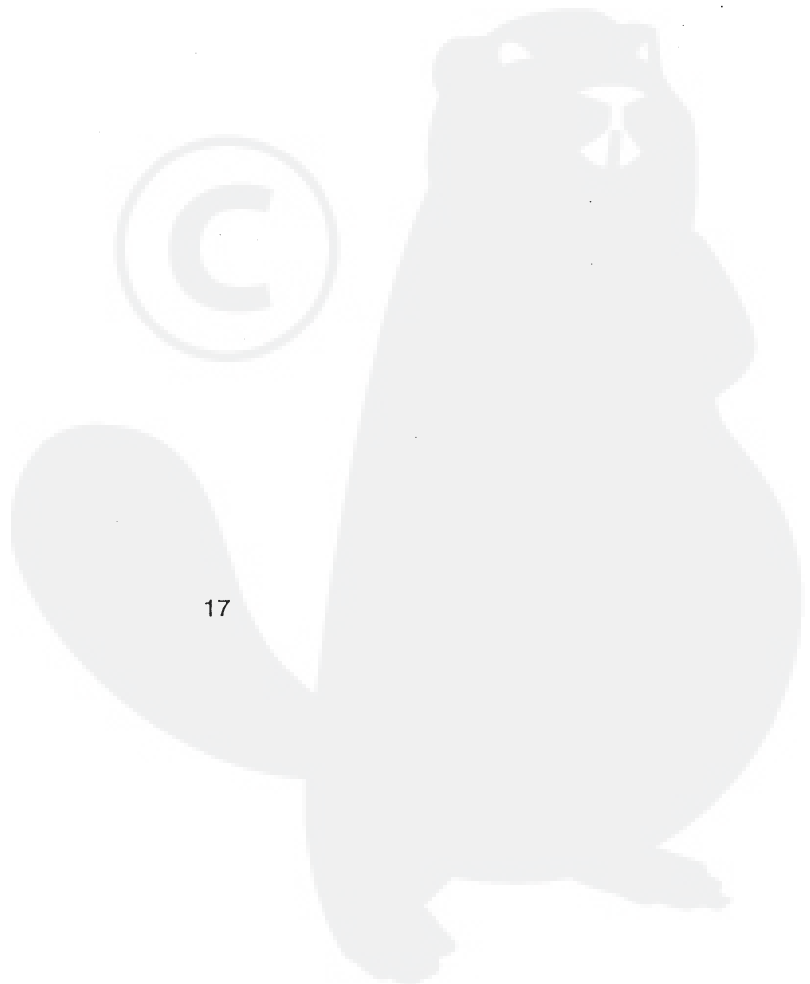
REPAIR PARTS

TRACTOR - - MODEL NUMBER TM145H42A

MOWER LIFT

KEY NO.	PART NO.	DESCRIPTION
1	159460	Asm. Inner Wire w/Plunger
2	159471	Asm., Shaft, Lift Handle
3	105767X	Pin, Groove
4	12000002	Ring, E #5133-62
5	19211621	Washer 21/32 x 1 x 21 Ga.
6	120183X	Bearing, Nylon
7	109413X	Grip Handle Bicycle Matte Blk
8	124526X	Button, Plunger
11	139865	Link, Lift, Lh
12	139866	Link, Lift, Rh
13	4939M	Spring, Retainer
15	127218	Link, Front
16	73350800	Nut, Jam, Hex 1/2-13 Unc
17	130171	Trunnion
18	73800800	Nut, Lock w/washer 1/2-13 Unc
19	139868	Arm, Suspension, Rear
20	3146R	Spring, Retainer
31	140302	Bearing, Pvt Lft
32	73540600	Nut Crownlock 3/8-24

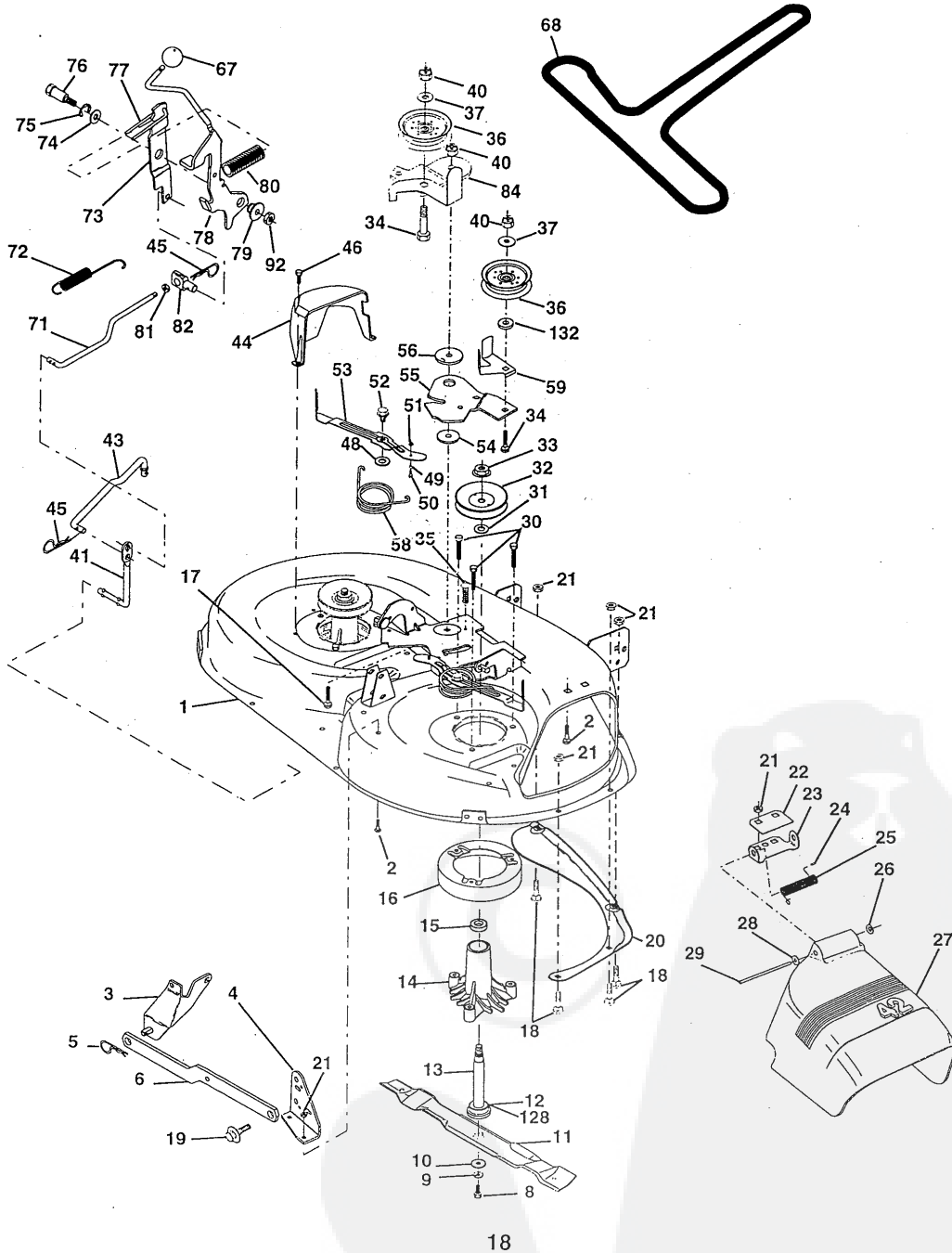
NOTE: All component dimensions given in U.S. inches
1 inch = 25.4 mm



REPAIR PARTS

TRACTOR -- MODEL NUMBER TM145H42A

MOWER DECK



REPAIR PARTS

TRACTOR - - MODEL NUMBER TM145H42A

MOWER DECK

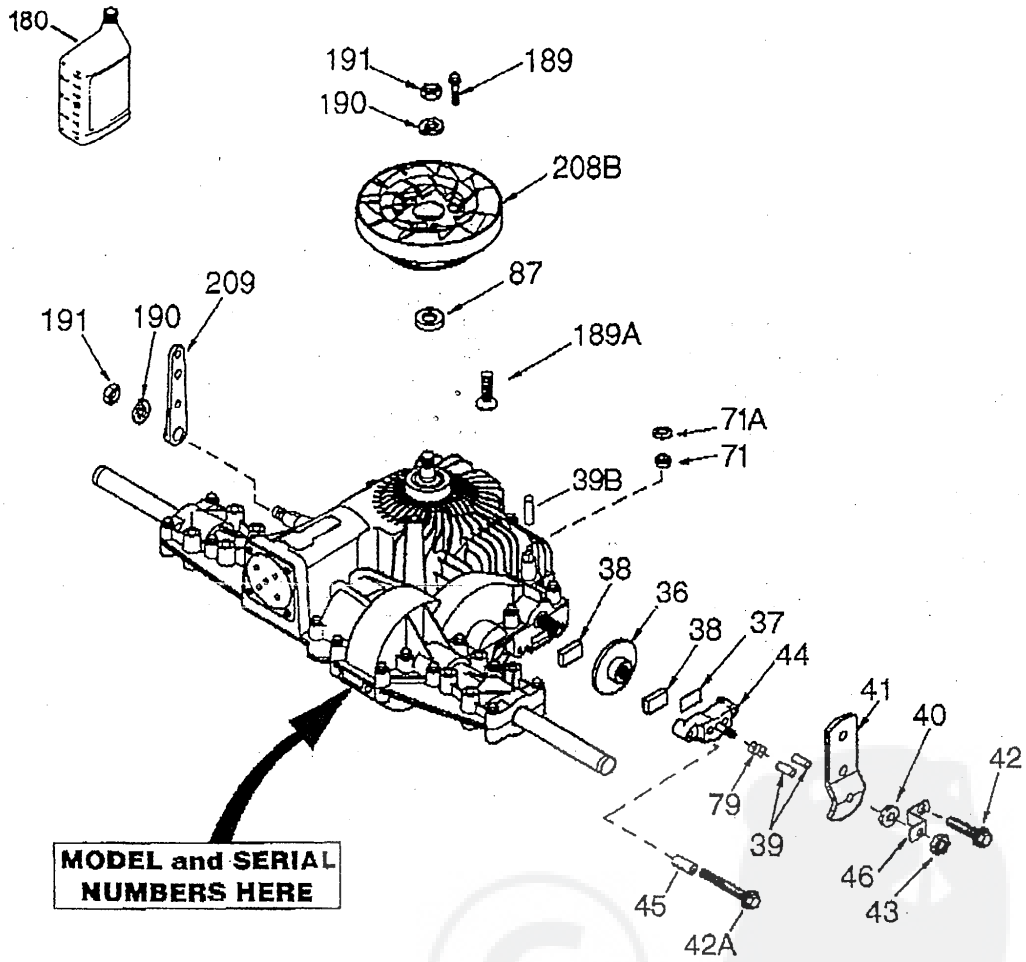
KEY NO.	PART NO.	DESCRIPTION	KEY NO.	PART NO.	DESCRIPTION
1	144393	Mowing Housing 42"	44	140088	Cover, Mandrel, Lh
2	72140506	Bolt	45	4497H	Retainer Spring 1: Zinc/Cad
3	138017	Asm., Bar, Anti-Sway	46	137729	Screw, Thdrol 1/4-20 x 5/8
4	138440	Asm., Bracket, Anti-Sway Bar	48	133944	Washer Hardened Smaller
5	4939M	Spring, Retainer	49	155066	Roller Asm. Cam for Mech Decks
6	130832	Arm, Suspension, Rear	50	131340	Bolt Shoulder 10-24 Zinc Gr. 5
8	850857	Bolt 3/8-24 x 1.25 Gr. 8	51	69180	Nut Lock #10 - 24 UNC
9	10030600	Washer, Lock	52	139888	Bolt Shoulder 5/16 - 18 Type TT.T.R.
10	140296	Washer, Hardened	53	131845X900	Arm Asm Pad Brake
11	138498	Blade, Mower, Hi Lift	54	133943	Washer, Hardened
12	129895	Bearing, Ball	55	155046	Arm, Idler
13	137645	Asm., Shaft, Mandrel, Vented (includes key no. 12)	56	122052X	Spacer, Retainer
14	128774	Housing, Mandrel, Vented	58	140086	Spring Torsion Brakes 42"
15	110485X	Bearing, Ball, Mandrel	59	141043	Guard, Belt
16	140329	Stripper, Mower	67	106932X	Knob Rd 3/8-16
17	72110610	Bolt, Carriage 3/8-16 x 1-1/4	68	144959 144200	V-Belt, Mower
18	72140505	Bolt, Carriage 5/16-18 x 5/8	71	142427	Rod Primary Clutch 38 & 42"
19	132827	Bolt, Shoulder	72	131870	Spring Return
20	136888	Baffle Vortex	73	127847	Arm Clutch Secondary
21	73680500	Nut, Crownlock 5/16 - 18 UNC	74	121748X	Washer 25/32 x 1-5/8 x 16 Ga.
22	134753	Stiffener, Bracket	75	12000029	Ring Klip #T5304-75
23	131267	Bracket, Deflector	76	128903	Bolt Shoulder 3/8 - 16 UNC 1.44
24	105304X	Cap, Sleeve	77	127845	Keeper Spring 4.000
25	123713X	Spring, Torsion, Deflector	78	154809	Arm Clutch Primary
26	110452X	Washer, Lock	79	127498	Bushing .747 OD x 794 Lg
27	130868	Shield, Deflector	80	153701	Spring Clutch Mower
28	19111016	Washer 11/32 x 5/8 x 16 Ga.	81	73350600	Nut Hex Jam 3/8 - 16 UNC
29	131491	Rod, Hinge	82	142028	Trunnion Adj '94
30	138776	Screw Hex Thdrol	84	158824	Bracket Asm. Idler
31	129963	Washer, Spacer	92	73800600	Nut Lock Hex w/Ins. 3/8-16 UNC
32	153535	Pulley, Mandrel	128	153390	Washer Felt
33	137266	Nut Lock 9/16	132	19132203	Washer 13/32 x 1-3/8 x 3 Ga.
34	72110614	Bolt	--	130794	Asm. Mandrel (includes key nos. 8-10, 12-15, 31 and 33)
35	133835	Fastener Christmas Tree	--	159469	Deck, Std (Complete)
36	131494	Pulley, Idler, Flat			
37	19131316	Washer 13/32 x 13/16 Ga.16			
40	73680600	Nut, Crownlock 3/8 - 16 UNC			
41	133551	Rod Pivot w/Nibs			
43	140083	Rod Clutch Secondary w/Nibs			

NOTE: All component dimensions given in U.S. inches
1 inch = 25.4 mm

REPAIR PARTS

TRACTOR - - MODEL NUMBER TM145H42A

TRANSAXLE - PEERLESS MODEL NUMBER 205-027B



REPAIR PARTS

TRACTOR - - MODEL NUMBER TM145H42A

TRANSAXLE - PEERLESS MODEL NUMBER 205-027B

REF PART NO. NO.	DESCRIPTION
36 790075	Brake Disc
37 790007	Brake Pad Plate
38 799021	Brake Pad (pkg of 2)
39 786026	Dowel Pin
39B 798033	Belt Guard
40 792076A	Flat Washer
41 790085	Brake Lever
42 792073	Screw, 1/4-20 x 1-1/4"
42A 792085A	Screw, 1/4-20 x 2-1/4"
43 792075	Locknut, 5/16-24
44 790025	Brake Pad Holder
45 786066	Spacer
46 790086	Brake Lever Bracket
71 788069	Square Cut Ring
71A 792162	Pushnut, 9/16"
79 792144	Spring
87 788035	Oil Seal, 5/8"
180 730229A	Gear Oil 80W90
189 792168	Drive Screw #6 x 1/2"
189A 792169	Screw, 10-32 x 1/2"
190 792150	Lockwasher
191 792151	Nut, 7/16-20
208B 798025	Fan/Coupling (Incl. 189 & 189A)
209 798024	Control Lever

Parts must be ordered from Tecumseh Products Co.
NOTE: All component dimensions given in U.S. inches
1 inch = 25.4 mm

