



REPAIR PARTS MANUAL

MODEL NO. TM12B36A

Lawn Tractor

HOW TO USE THIS MANUAL

This manual is designed to provide the customer with a means to identify the parts on his/her tractor when ordering repair parts. The illustrations may or may not represent the actual assemblies; therefore, it is not recommended to use this manual as a guide to assemble or disassemble the tractor. Some hardware and parts are drawn larger in order to more readily identify them.

Each tractor has its own model number.

The model number for your tractor can be found on the fender under the seat.

When ordering parts, always give the following information:

- Product - "Tractor"
- Model Number - "TM12B36A"
- Part Number
- Part Description

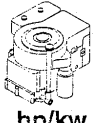

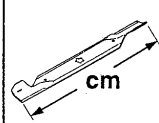


 hp/kw	 km/h	 cm	 mm	 KG	dB (A)
12/8,9	0-7,7	91	25-89	205	100

TABLE OF CONTENTS

DASHBOARD	11
DECALS	5
ENGINE/THROTTLE	16
ELECTRICAL	6-7
FENDER/CHASSIS	9
FRONT AXLE	14
GROUND DRIVE	17
HOOD	8
MOWER LIFT LEVER	19
MOWER DECK	20-21
BRAKE/REAR MOWER LIFT ASSEMBLY	15
SEAT	10
SECTOR GEAR/AXLE SUPPORT	13
STEERING WHEEL	12
TRANSAXLE	18, 22-23



TECUMSEH

SERVICE POLICY WARRANTY



TECUMSEH

Issued January 1980
Revised January 1991

LIMITED WARRANTIES FOR NEW PEERLESS GEAR POWER TRAIN COMPONENTS

A. Products Warranted

Peerless Gear and Machine Division of Tecumseh Products Company ("Tecumseh"), subject to the limitations contained below, will, at its option, repair or replace, without charge for parts or labor only, any part of a new Power Train Component (which as used herein means and includes the transaxle, gear box, transmission, differential and right angle drives, and any part of the Power Train Component), EXCEPT any new Power Train Component incorporated in equipment used for commercial or rental purposes, which is found upon examination by any Tecumseh Authorized Service Outlet or by Tecumseh's factory in Grafton, Wisconsin, to be DEFECTIVE IN MATERIAL AND/OR WORKMANSHIP if received by Tecumseh or a Tecumseh Authorized Service Outlet for such examination within TWO YEARS from the date of sale to the original consumer purchaser of Peerless Series 820, 900, 910, 915, 920, 930 transaxles and Series 1100 angle drive and ONE YEAR for all other Peerless products. New Power Train Components incorporated in equipment used for commercial purposes are warranted in the same manner and to the same extent EXCEPT such Power Train Components are warranted for NINETY (90) DAYS ONLY, and must be received by Tecumseh or by a Tecumseh Authorized Service Outlet for such examination within 90 days from the date of sale to the original purchaser. New Power Train Components incorporated in equipment used for rental purposes are warranted in the same manner and to the same extent EXCEPT such Power Train Components are warranted for THIRTY (30) DAYS ONLY, and must be received by Tecumseh or a Tecumseh Authorized Service Outlet within 30 days from the date of sale to the original purchaser.

B. Products And Items Not Warranted

1. Alterations or Modifications of Power Train Components.
 2. Accidents, Normal Maintenance, Failure to follow the Original Equipment Manufacturer's Manual.
- This warranty covers only parts of new Power Train Components which are found upon examination to be defective in material or workmanship as delivered to the original purchaser. This warranty does not cover defects caused by depreciation or damage caused by normal wear, accidents, improper maintenance, improper use or abuse of the product, failure to follow the instructions contained in an Instruction Manual for the operation of the Power Train Component and parts. The cost of normal maintenance and replacement of service items which are not defective shall be paid for by the original purchaser.

C. Securing Warranty Service

Warranty service can be arranged for by contacting either a Tecumseh Authorized Service Outlet (any Tecumseh Registered Service Dealer, Tecumseh Authorized Service Distributor, or Tecumseh Central Warehouse Distributor) or by contacting Tecumseh, c/o Service Manager, Engine and Transmission Group Service Division, 900 North Street, Grafton, Wisconsin 53024. Warranty service can only be performed by a Tecumseh Authorized Service Outlet or by Tecumseh at its factory in Grafton, Wisconsin. At the time of requesting warranty service, evidence must be presented of the date of sale to the original purchaser. The purchaser shall pay any charges for making service calls and/or for transporting the product to and from the place where the inspection and/or warranty work is performed. The purchaser shall be responsible for any damage or loss incurred in connection with the transportation of Power Train Components and/or part(s) of the Power Train Components submitted for inspection and/or warranty work.

D. Limitation of Damages and Implied Warranties

The foregoing EXPRESSED WARRANTY IS IN LIEU OF ALL OTHER EXPRESS WARRANTIES. Neither Tecumseh nor any of its affiliates makes any warranties, representations or promises, written or oral, as to the quality of the Power Train Component or any of its parts, other than as set forth herein.

ANY IMPLIED WARRANTY OF MERCHANTABILITY OR FITNESS FOR A PARTICULAR PURPOSE, TO THE EXTENT THAT EITHER MAY APPLY TO ANY PART(S) OF POWER TRAIN COMPONENTS, SHALL BE LIMITED IN DURATION TO THE PERIODS OF THE EXPRESSED WARRANTIES DEFINED IN PARAGRAPH A HEREOF. IN NO EVENT WILL TECUMSEH BE LIABLE FOR ANY INCIDENTAL, CONSEQUENTIAL OR SPECIAL DAMAGES AND/OR EXPENSES. Some states do not allow limitations on how long an implied warranty lasts or the exclusion or limitation of incidental or consequential damages, so the above limitation(s) or exclusion(s) may not apply to you. This warranty gives you specific legal rights and you may also have other legal rights which vary from state to state.

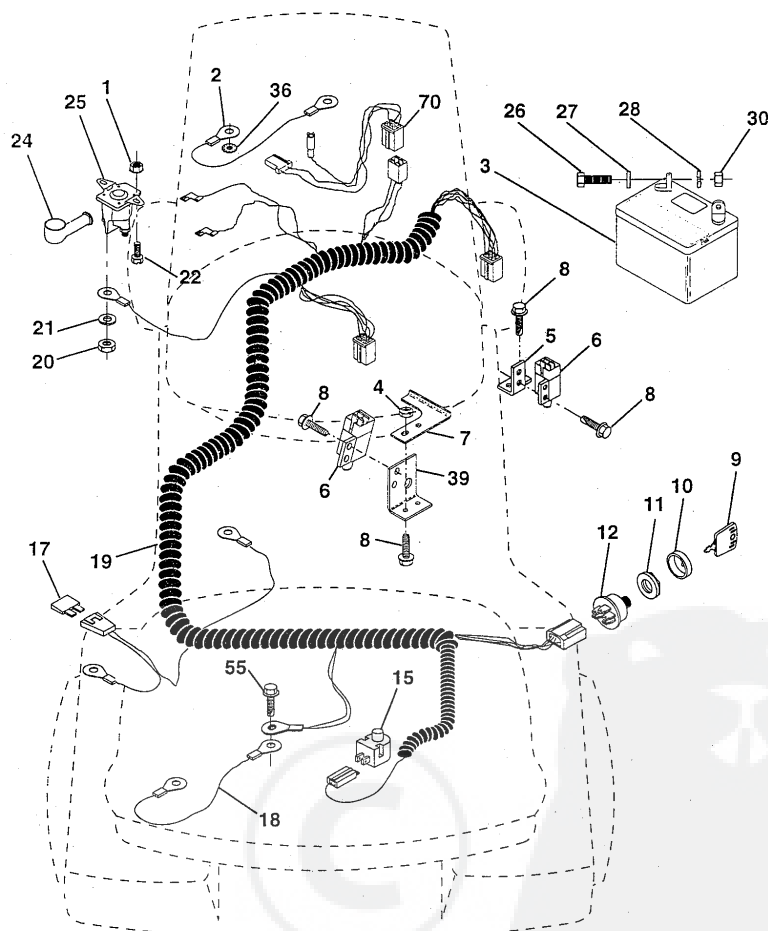
E. No Dealer Warranty

Tecumseh neither assumes nor authorizes any other person, natural or corporate, to assume for Tecumseh any other obligations or liabilities in connection with or with respect to any part(s) of a Power Train Component. The seller or dealer of part(s) of a Power Train Component has no authority, whatsoever, to make any representations or promises on behalf of Tecumseh or to modify the terms or limitations of Tecumseh's warranty in any way.

REPAIR PARTS

TRACTOR - MODEL NUMBER TM12B36A

ELECTRICAL



REPAIR PARTS

TRACTOR - MODEL NUMBER TM12B36A

ELECTRICAL

KEY NO.	PART NO.	DESCRIPTION
1	73640400	Nut, Hex Keps 1/4-20
2	108423X	Assembly, Cable
3	144924	Battery
4	69180	Nut, Lock #10-24 UNC
5	108236X	Bracket, Switch
6	109553X	Switch, Interlock (4-terminal)
7	146374	Keeper Actuator
8	17021008	Screw, Hex Hd. Tap #10-24 x 1/2
9	140401	Key, Steel Delta
10	141226	Cover, Key Ignition
11	140400	Nut, Ignition
12	144921	Switch, Ignition
15	121305X	Switch, Plunger
17	108824X	Fuse
18	128353	Assembly, Cable
19	146063	Harness, Ignition
20	73350400	Nut, Hex Jam 1/4-20
21	10090400	Washer, Lock 1/4
22	71110408	Bolt, Fin. Hex 1/4-20 UNC x 1/2 Gr. 5
24	131583	Cover, Terminal
25	145673	Solenoid
26	74760412	Bolt, Hex Hd. 1/4-20 UNC x 3/4
27	19091016	Washer 9/32 x 5/8 x 16
28	10040400	Washer, Lock 1/4
30	73220400	Nut, Fin. Hex 1/4-20 UNC
36	11150400	Washer Lock Inter. Tooth 1/4
39	141735	Bracket Switch Clutch
55	17490508	Screw Thdrol 5/1-18 x 1/2
70	140413	Harness Engine

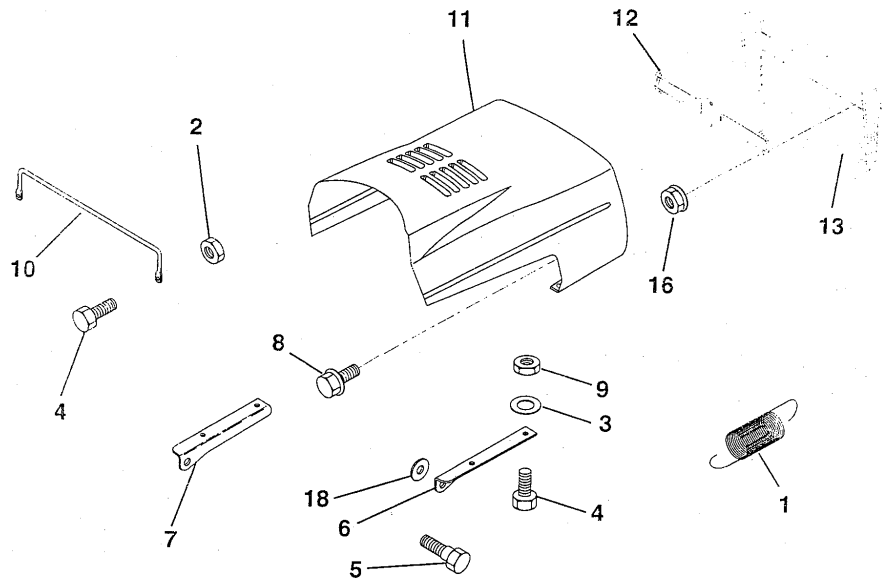
NOTE: All component dimensions given in U.S. inches.
1 inch = 25.4 mm

HARDWARE SHOWN LARGER FOR EASIER IDENTIFICATION

AIR PARTS

TRACTOR - MODEL NUMBER TM12B36A

HOOD



KEY NO.	PART NO.	DESCRIPTION
1	124657X	Extension, Spring
2	73640400	Nut, Hex, Keps 1/4-20
3	19091416	Washer, 9/32 x 7/8 x 16 Ga.
4	74780412	Bolt, Hex Fin 1/4-20 x 3/4 Gr. 5
5	139888	Bolt, Shoulder
6	122549X	Bracket, Hood R. H.
7	122548X	Bracket, Hood L. H.
8	17521312	Screw Sltd. Hex Hd W/PL Washer
9	73300400	Nut Lock W/Insert 1/4-20 UNC

KEY NO.	PART NO.	DESCRIPTION
10	123693X	Brace, Hood
11	132918X505	Hood
12	127178	Lens Clear Bar Dual LR P/L
13	134232X505	Grill
16	124346X	Nut Self-Thd. Wsh-Hd 1/4
18	19111116	Washer 11/32 x 11/16 x 16 Ga.

KEY NO.	PART NO.	DESCRIPTION
10	123693X	Brace, Hood
11	132918X505	Hood
12	127178	Lens Clear Bar Dual LR P/L
13	134232X505	Grill
16	124346X	Nut Self-Thd. Wsh-Hd 1/4
18	19111116	Washer 11/32 x 11/16 x 16 Ga.

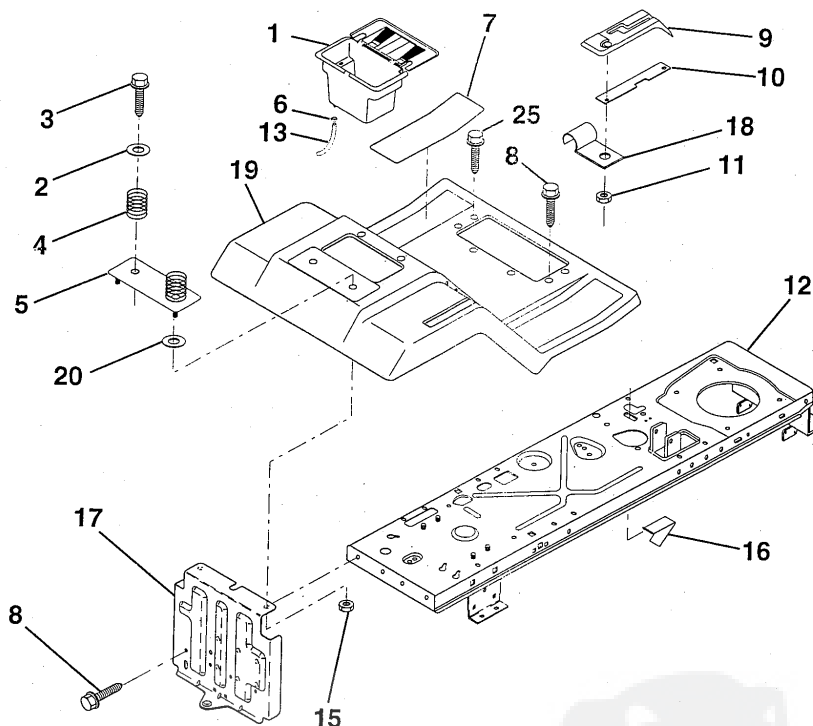
NOTE: All component dimensions given in U.S. inches.
1 inch = 25.4 mm

HARDWARE SHOWN LARGER FOR EASIER IDENTIFICATION

REPAIR PARTS

TRACTOR - MODEL NUMBER TM12B36A

FENDER / CHASSIS



KEY NO.	PART NO.	DESCRIPTION
1	156417	Case, Battery
2	19132012	Washer 13/32 x 1-1/4 x 12 Gauge
3	17490612	Screw, Hex Washer Head, Thd. Roll. 3/8-16 x 3/4
4	124181X	Spring, Compression, Seat
5	127115X505	Plate, Battery
6	109596X	Clamp, Hose
7	124144X	Pad, Footrest
8	17490512	Screw, Hex Washer Head, Thd. Roll. 5/16-18 x 3/4
9	126997X	Console, Shift Control
10	139783	Bar, Shift Lock

KEY NO.	PART NO.	DESCRIPTION
11	124346X	Nut, Self-Threading 3/16
12	145190	Assembly, Frame
13	109238X	Tube, Battery Drain
15	73640400	Nut, Lock Hex W/Ins. 5/16-18
16	141736	Actuator, Switch
17	140782	Drawbar
18	126470X	Clip, Insulated
19	140955X505	Fender/Footrest
20	19091413	Washer 9/32 x 7/8 x 13 Gauge
25	17190516	Screw Hex Wsh Thdrol 5/16-18 x 1

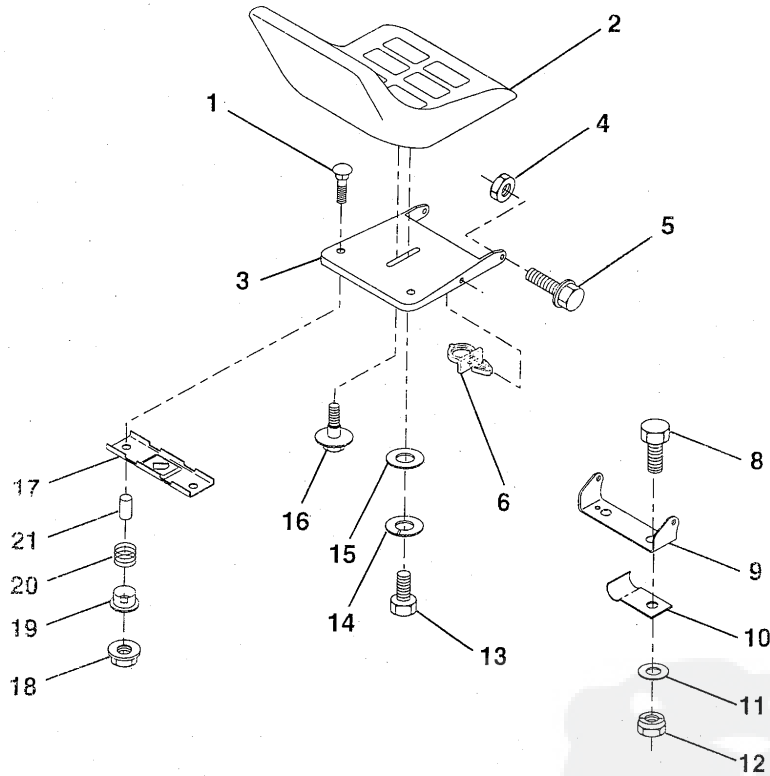
NOTE: All component dimensions given in U.S. inches.
1 inch = 25.4 mm

HARDWARE SHOWN LARGER FOR EASIER IDENTIFICATION

REPAIR PARTS

TRACTOR - MODEL NUMBER TM12B36A

SEAT



KEY NO.	PART NO.	DESCRIPTION	KEY NO.	PART NO.	DESCRIPTION
1	7205041	Bolt, Carriage 1/4-20 x 1-3/8	13	74780814	Bolt, Fin Hex 1/2 - 13 x 7/8 Gr. 5
2	134647	Seat	14	10040800	Washer Lock Hvy HLCL Spr. 1/2
3	155925	Pan, Seat	15	19171912	Washer 17/32 x 13/16 x 12 Gauge
4	73800500	Nut, Lock Hex W/Ins 5/16-18	16	127018X	Bolt, Shoulder
5	153236	Bolt, Shoulder 5/16-18 UNC	17	121246X	Bracket, Switch, Mounting
6	145006	Clip, Push-In	18	123976X	Locknut, Hex, Large, Flange
8	74780616	Bolt, Hex, Fin 3/8-16 UNC x 1	19	121248X	Bushing, Snap
9	140551	Bracket, Pivot, Seat	20	121250X	Spring, Compression
10	126471X	Clip, Insulated	21	134300	Spacer, Split, Large .28 Id. x .96
11	19133210	Washer 13/32 x 2 x 10 Gauge			
12	73800600	Nut, Lock Hex W/Wsh 3/8-16			

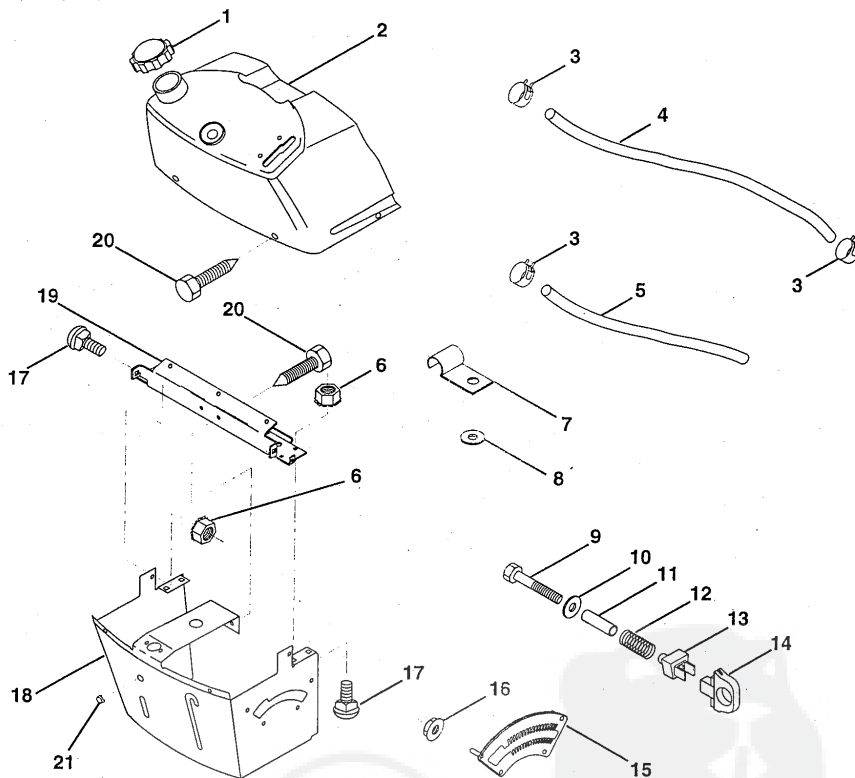
NOTE: All component dimensions given in U.S. inches.
1 inch = 25.4 mm

HARDWARE SHOWN LARGER FOR EASIER IDENTIFICATION

REPAIR PARTS

TRACTOR - MODEL NUMBER TM12B36A

DASHBOARD



KEY NO.	PART NO.	DESCRIPTION
1	141523	Cap, Fuel
2	138393	Assembly, Dash & Fuel Tank
3	123487X	Clamp, Hose
4	8544R	Line, Fuel
5	8548R	Line, Fuel
6	73640400	Nut, Hex, Keps 1/4-20
7	2751R	Clip, Fuel Line
8	19091216	Washer 9/32 x 3/4 x 16 Gauge
9	74760428	Bolt, Hex, Fin. 1/4-20 x 1-3/4
10	19091413	Washer 11/32 x 11/16 x 16 Gauge
11	121249X	Spacer, Split

KEY NO.	PART NO.	DESCRIPTION
12	3720R	Spring
13	126450X	Clip, Height Adjustment
14	126115X	Knob, Height Stop
15	122023X	Adjustment, Quadrant Height
16	124346X	Nut, Self-Threading 3/16-18
17	72110404	Bolt, Carriage 1/4-20 x 1/2 Grade 5
18	130745	Support Assembly, Dash
19	134744	Brace, Cross
20	17060408	Screw, Self-Tapping 1/4-20 x 1/2
21	134014	Plug, Dome

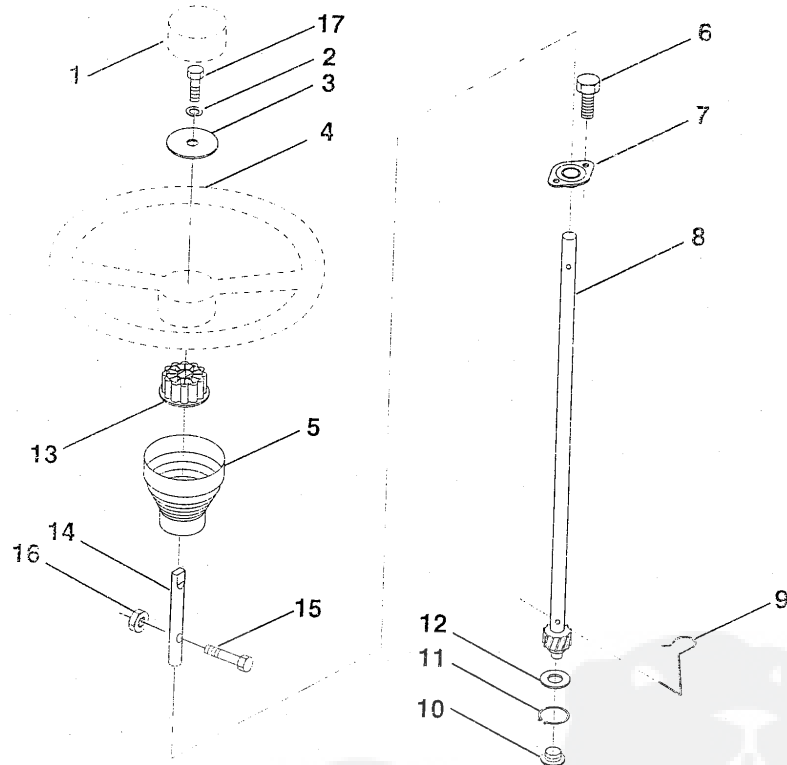
NOTE: All component dimensions given in U.S. inches.
1 inch = 25.4 mm

HARDWARE SHOWN LARGER FOR EASIER IDENTIFICATION

REPAIR PARTS

TRACTOR - MODEL NUMBER TM12B36A

STEERING WHEEL



KEY NO.	PART NO.
1	132742
2	10040600
3	19133808
4	133741
5	121897X
6	152927
7	155104
8	147391
9	124210X
10	129438X

DESCRIPTION
Insert, Steering Wheel
Washer Lock Hvy Hcl
Washer 13/32 x 2-3/8 x 8 Ga.
Wheel, Steering
Sleeve, Steering
Screw, TT #10-32 5 3/8 Flange
Bushing, Steering
Shaft, Steering
Clip, Steering
Bushing, Lower, Steering

KEY NO.	PART NO.
11	12000045
12	19211616
13	100711L
14	153720
15	74780520
16	73800500
17	74780616

DESCRIPTION
Ring, Retaining
Washer 21/32 x 1 x 16 Ga.
Adaptor, Steering Wheel
Extension, Shaft, Steering
Bolt, Fin, Hex 5/16-18unc x 1-1/4
Nut, Lock Hex W/Ins 5/16-18 UNC
Bolt, Fin Hex 3/8-16 UNC x 1

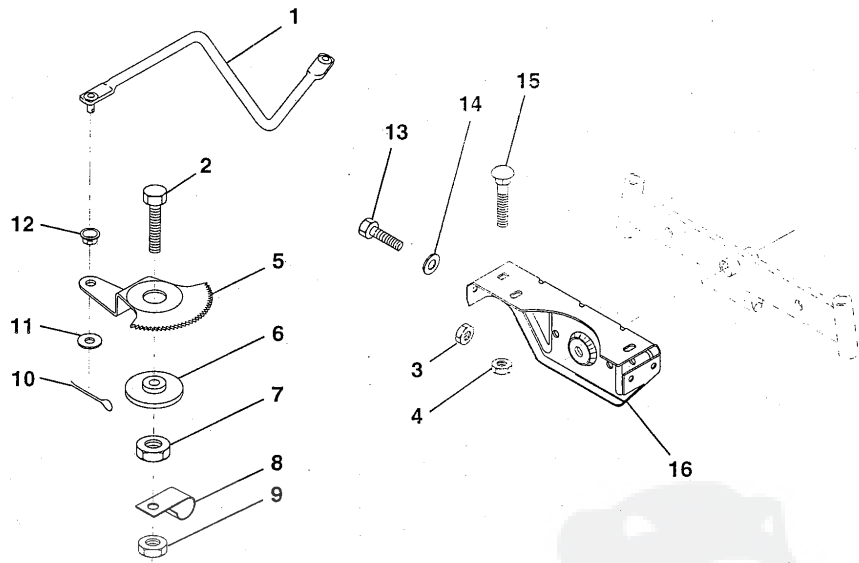
NOTE: All component dimensions given in U.S. inches
1 inch = 25.4 mm

HARDWARE SHOWN LARGER FOR EASIER IDENTIFICATION

REPAIR PARTS

TRACTOR - MODEL NUMBER TM12B36A

SECTOR GEAR / AXLE SUPPORT



KEY NO.	PART NO.	DESCRIPTION
1	132566	Link, Drag
2	74780828	Bolt, Hex, Fin 1/2-13 x 1-3/4
3	73680500	Nut, Hex, Crownlock 5/16-18
4	73680600	Nut, Hex, Crownlock 3/8-16
5	121926X	Gear, Sector
6	121927X	Bushing
7	73030800	Nut, Heavy, Hex, Top Lock 1/2-13 UNC
8	126472X	Clip, Wire

KEY NO.	PART NO.	DESCRIPTION
9	73680800	Nut, Crownlock 1/2-13
10	76020412	Pin, Cotter 1/8 x 3/4
11	19131316	Washer 13/32 x 13/16 x 16 Ga.
12	126847X	Bushing
13	74760512	Bolt, Hex 5/16-18 x 3/4
14	19111416	Washer 11/32 x 7/8 x 16 Ga.
15	72110606	Bolt, Carriage 3/8-16 UNC x 3/4
16	137096	Support, Front Axle

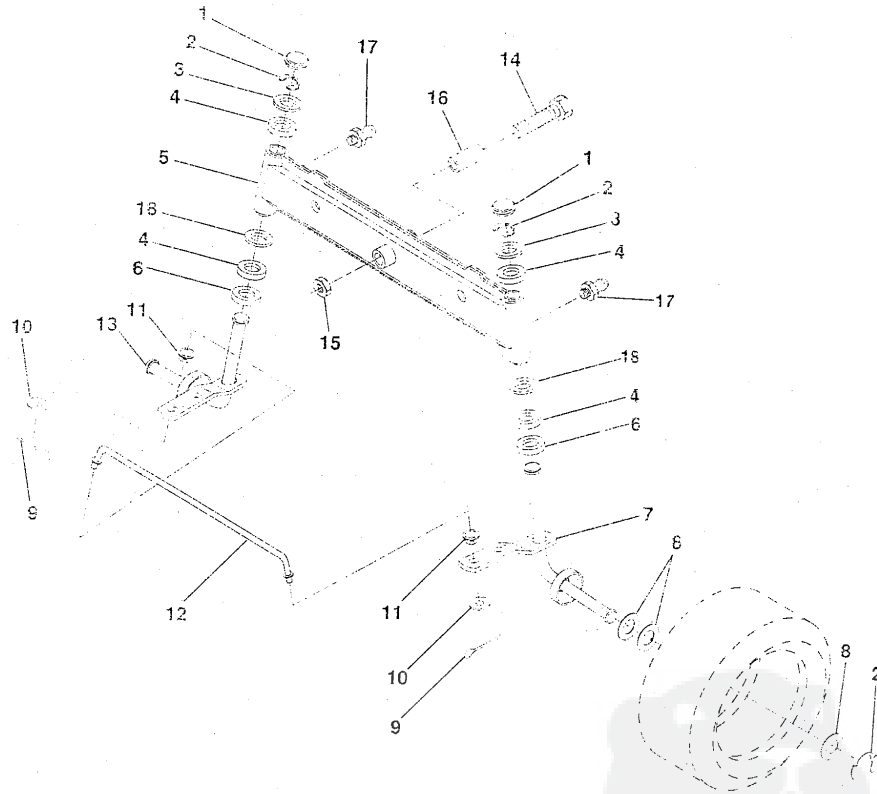
NOTE: All component dimensions given in U.S. inches
1 inch = 25.4 mm

HARDWARE SHOWN LARGER FOR EASIER IDENTIFICATION

REPAIR PARTS

TRACTOR - MODEL NUMBER TM12B36A

FRONT AXLE



KEY NO.	PART NO.	DESCRIPTION	KEY NO.	PART NO.	DESCRIPTION
1	111232X	Cap. Spindle	11	126847X	Bushing
2	12002020	Ring, Kit	12	130465	Rod, Tie
3	121748X	Washer 25/32 x 1-5/8 x 16 Gauge	13	137061	Spindle Assembly, L.H.
4	3066R	Bearing	14	74011056	Bolt, Hex 5/8-11 x 3-1/2
5	112033	Axis, Front	15	73901000	Nut, Lock Flange 5/8-11
6	3266H	Bearing, Thrust	16	110438X	Spacer, Bearing Axle
7	137062	Spindle Assembly, R.H.	17	6855M	Fitting Grease
8	121749X	Washer 25/32 x 1-1/4 x 16 Gauge	18	13272016	Washer 27/32 x 1-1/4 x 16 Ga.
9	75020412	Pin, Cotter 1/8 x 3/4			
10	13131316	Washer 13/32 x 13/16 x 16 Gauge			

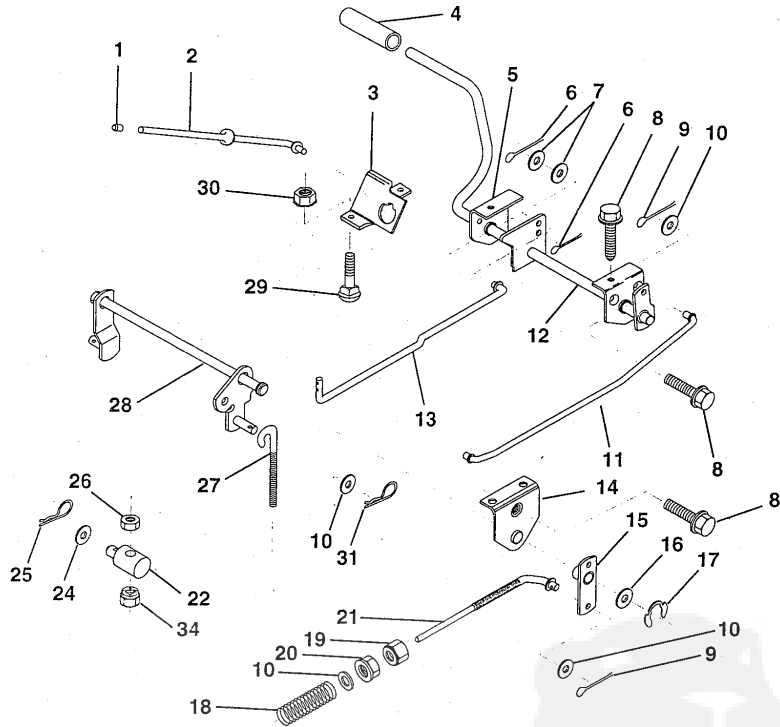
NOTE: All component dimensions given in U.S. inches
1 inch = 25.4 mm

HARDWARE SHOWN LARGER FOR EASIER IDENTIFICATION

REPAIR PARTS

TRACTOR - MODEL NUMBER TM12B36A

BRAKE / REAR MOWER LIFT ASSEMBLY



KEY NO.	PART NO.	DESCRIPTION	KEY NO.	PART NO.	DESCRIPTION
1	71673	Cap, Parking Brake	17	12000034	Ring, Klip
2	123436X	Rod, Parking Brake	18	151332	Spring, Brake Rod
3	123437X	Bracket, Parking Brake	19	73350600	Nut, Hex, Jam 3/8-16 UNC
4	8156H	Cover, Pedal	20	73800600	Nut, Lock, Hex W/Ins 3/8-16 UNC
5	122504X	Bracket, Pedal, Clutch LH	21	131460	Rod, Rear Brake
6	76020312	Pin, Cotter 3/32 x 3/4	22	144585	Trunnion, Lift
7	19131016	Washer 13/32 x 5/8 x 16 Gauge	24	19132012	Washer 13/32 x 1-1/4 x 12 Gauge
8	17490508	Screw, Hex, Thd. Roll. 5/16-18 x 1/2	25	4921H	Spring, Retainer
9	76020412	Pin, Cotter 1/8 x 3/4	26	73930600	Nut, Centerlock 3/8-16 UNC
10	19131316	Washer 13/32 x 13/16 x 16 Gauge	27	127369	Link, Threaded
11	123543X	Rod, Front Brake	28	140776	Assembly, Rear Mower Lift
12	139933	Assembly, Clutch/Brake Pedal	29	72110506	Bolt, Carriage 5/16-18 UNC x 3/4
13	123394X	Rod, Clutch	30	73510500	Nut, Keps 5/16-18 UNC
14	121978X	Bracket, Lift, Shaft	31	3146R	Retainer, Spring
15	133332	Assembly, Brake, Pivot, Arm	34	73680600	Nut, Lock Hex W/Wsh 3/8-16
16	19251816	Washer 25/32 x 1-1/8 x 16 Gauge			

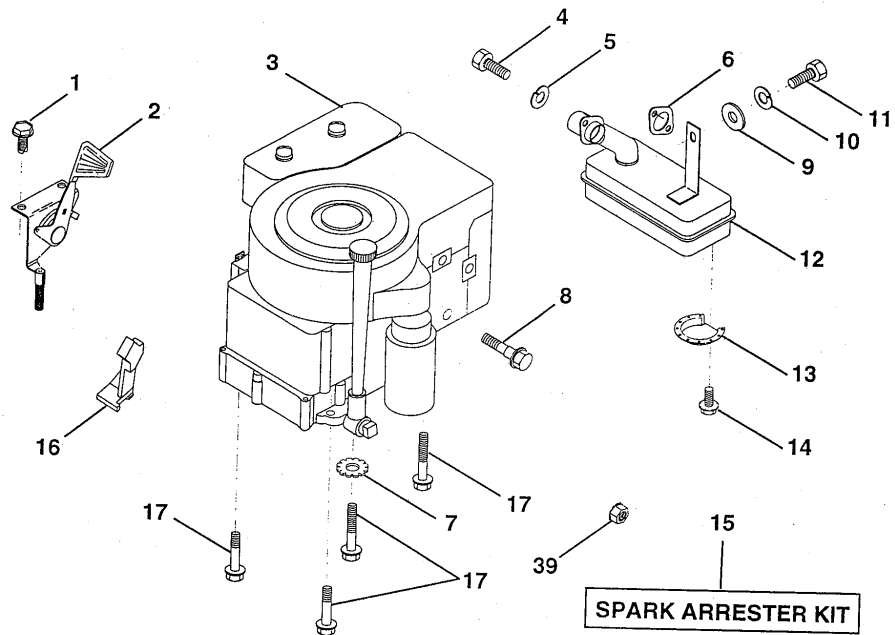
NOTE: All component dimensions given in U.S. inches
1 inch = 25.4 mm

HARDWARE SHOWN LARGER FOR EASIER IDENTIFICATION

REPAIR PARTS

TRACTOR - MODEL NUMBER TM12B36A

ENGINE / THROTTLE



KEY NO.	PART NO.	DESCRIPTION	KEY NO.	PART NO.	DESCRIPTION
1	17060408	Screw, Hex, Thread Cutting 1/4-20 x 1/2	12	137437	Muffler
2	133025	Control, Throttle	13	101326L	Deflector, Muffler
3	-----	Engine, B&S, #285707	14	17030808	Screw, Hex Head, Spiderlock #8 x 1/2
4	71070512	Screw, Hex Hd	15	137180	Kit, Spark Arrester (Optional)
5	10040500	Washer, Lock, Heavy Helical Spring 5/16	16	127951	Stop, Choke
6	272293	Gasket, Exhaust	17	17490624	Screw, Hex Washer Head, Thd. Roll. 3/8-16 x 1-1/2
7	11050600	Washer Lock Ext. Tooth 3/8	39	128861	Nut, Flange 1/4-20
8	121094X	Bolt, Shoulder 5/16 UNC			
9	19101216	Washer 5/16 x 3/4 x 16 Gauge			
10	10040400	Washer, Lock, Heavy Helical Spring 1/4			
11	---	Bolt, Hex Head, Fin. (Order from Engine Manufacturer)			

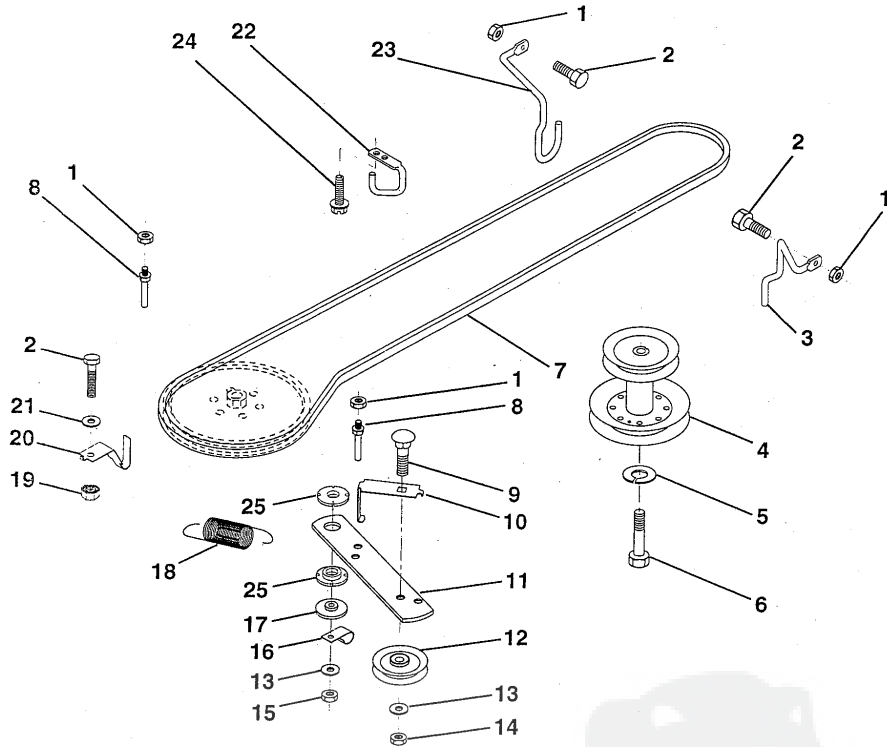
NOTE: All component dimensions given in U.S. inches
1 inch = 25.4 mm

HARDWARE SHOWN LARGER FOR EASIER IDENTIFICATION

REPAIR PARTS

TRACTOR - MODEL NUMBER TM12B36A

GROUND DRIVE



KEY NO.	PART NO.	DESCRIPTION
1	73680500	Nut, Lock Hex W/Ins 5/16-18
2	74760512	Bolt, Hex 5/16-18 UNC x 3/4
3	141342	Keeper, Mower Drive Belt, Engine, R.H.
4	138029	Pulley, Engine
5	10040700	Washer, Lock, Heavy Helical Spring 7/16
6	71170744	Bolt, Hex, 7/16-20 x 2-3/4 Grade 5
7	126520X	Traction, V-Belt Drive
8	123405X	Keeper, T/A Ground Drive Belt
9	72140612	Bolt, Carriage 3/8-16 UNC x 1-1/2
10	123396X	Keeper, Ground Drive Belt, Idler
11	150926	Arm, Ground Drive Clutch
12	123674X	Idler, Flat
13	19131316	Washer 13/32 x 13/16 x 16 Gauge

KEY NO.	PART NO.	DESCRIPTION
14	73930600	Nut, Centerlock 3/8-16 UNC
15	73680600	Nut, Lock Hex w/Wsh 3/8-16
16	126471X	Clip, Insulated
17	150932	Spacer, Retainer
18	131459	Spring, Extension
19	73510500	Nut, Keps 5/16-18 UNC
20	139919	Keeper, T/A Ground Drive Belt
21	19111016	Washer 11/32 x 5/8 x 16 Gauge
22	123404X	Keeper, Ground Drive Belt, Frame
23	140916	Keeper, Mower Drive Belt, L.H.
24	17720408	Screw, Thread Cutting 1/4-20 x 1/2
25	150935	Bushing, Nylon

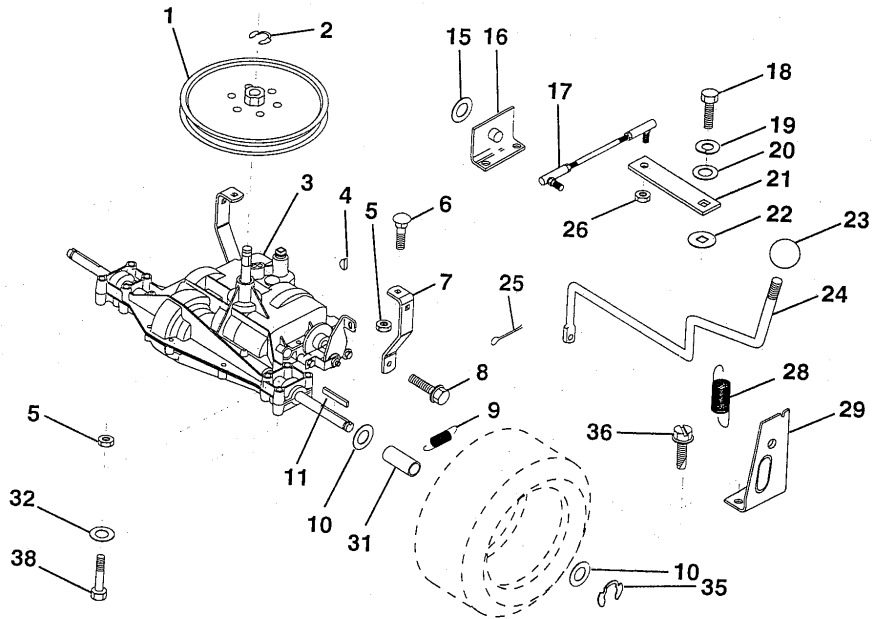
NOTE: All component dimensions given in U.S. inches
1 inch = 25.4 mm

HARDWARE SHOWN LARGER FOR EASIER IDENTIFICATION

REPAIR PARTS

TRACTOR - MODEL NUMBER TM12B36A

TRANSAXLE



KEY NO.	PART NO.
1	123385X
2	12000028
3	-----
4	2228M
5	73680500
6	72140506
7	123378X
8	17490512
9	146682
10	121749X
11	123583X
15	19171616
16	124600X
17	126293X
18	74550412
19	10040400

DESCRIPTION

1 Pulley
 2 Ring, Retainer
 3 Transaxle (See Breakdown)
 4 Peerless 930-009A
 5 Key, Woodruff #9
 6 Nut, Lock Hex 5/16-18
 7 Bolt, Carriage 5/16-18 UNC x 3/4
 8 Strap, Torque
 9 Screw 5/16-18 x 3/4
 10 Spring, Brake
 11 Washer 25/32 x 1-1/4 x 16 Gauge
 15 Key, Square
 16 Washer 17/32 x 16 Ga.
 17 Support, Handle Shift
 18 Link, Shift
 19 Bolt, Hex, Fin 1/4-28 UNF x 3/4 Gr. 8
 Washer, Lock 1/4

KEY NO.	PART NO.
20	19091210
21	126292X
22	105701X
23	106933X
24	128215
25	76020416
26	73810500
28	128085
29	128084
31	137057
32	19111116
35	12000001
36	17720408
38	74490544

DESCRIPTION

20 Washer 9/32 x 3/4 x 10 Gauge
 21 Arm, Shift
 22 Washer, Shift Plate
 23 Knob, Deluxe
 24 Rod, Shift
 25 Pin, Cotter 1/8 x 1
 26 Nut, Hex, Nylon 5/16-24 UNF
 28 Spring, Extension
 29 Support, Handle, Shift, R.H.
 31 Spacer, Split
 32 Washer 11/13 x 11/16 x 16 Ga.
 35 E-Ring
 36 Screw, Thdcut. 1/4-20 x 1/2
 Bolt, Hex, Flgnd 5/16-18

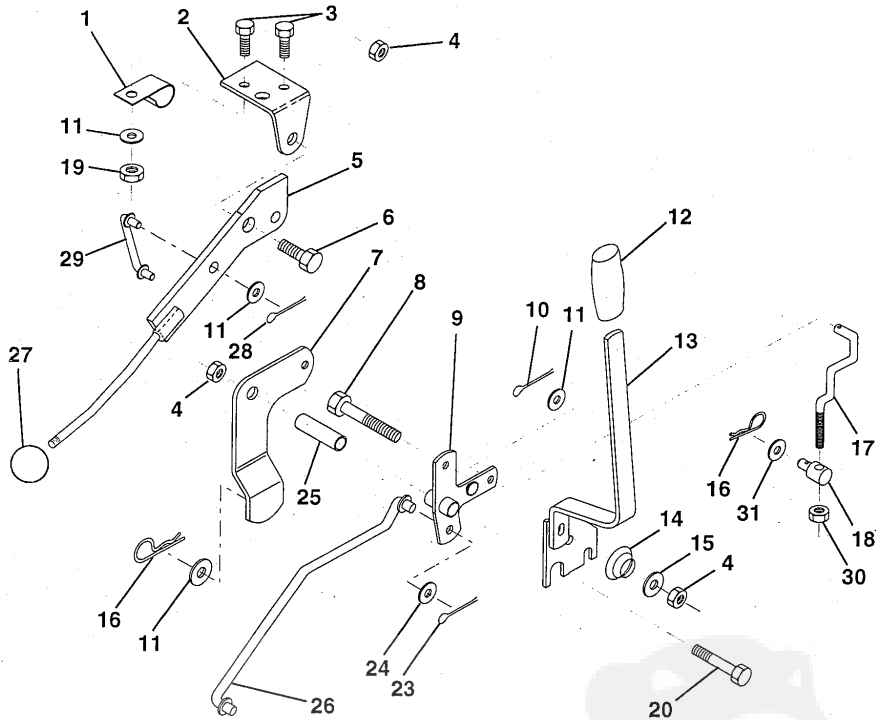
NOTE: All component dimensions given in U.S. inches
 1 inch = 25.4 mm

HARDWARE SHOWN LARGER FOR EASIER IDENTIFICATION

REPAIR PARTS

TRACTOR - MODEL NUMBER TM12B36A

MOWER LIFT LEVER



KEY NO.	PART NO.	DESCRIPTION	KEY NO.	PART NO.	DESCRIPTION
1	126470X	Clip, Insulated	16	4921H	Retainer, Spring
2	122018X	Bracket, Mower Clutch	17	127359	Link, Front Lift
3	71110408	Bolt, Hex, Fin 1/4-20 UNC x 1/2 Grade 5	18	142028	Trunnion, Threaded 3/8-16
4	73680600	Nut, lock Hex WWsh 3/8-16	19	73680400	Nut, Crownlock 1/4-20
5	145187	Assembly, Clutch Lever	20	74760644	Bolt, Hex, Fin. 3/8-16 UNC x 2-3/4
6	106451X	Bolt, Shoulder	23	76020416	Pin, Cotter 1/8 x 1
7	135371	Assembly, Mower Clutch Arm	24	19171612	Washer 17/32 x 1 x 12 Gauge
8	74760636	Bolt, Hex 3/8-16 UNC x 2-1/4	25	121933X	Tube, Spacer
9	121930X	Assembly, Bellcrank, Lift	26	141470	Rod, Mower Lift
10	76020412	Pin, Cotter 1/8 x 3/4	27	106932X	Knob, Rd
11	19131316	Washer 13/32 x 13/16 x 16 Gauge	28	76020312	Pin, Cotter 3/32 x 3/4
12	131861	Sleeve, Handle	29	131655	Link, Mower Clutch
13	139352	Assembly, Lift Handle	30	73350600	Nut, Hex Jam 3/8-16
14	123496X	Spring, Compression	31	19132012	Washer 13/32 X 1-1/4 X 12 Gauge
15	19131212	Washer 13/32 x 3/4 x 12 Gauge			

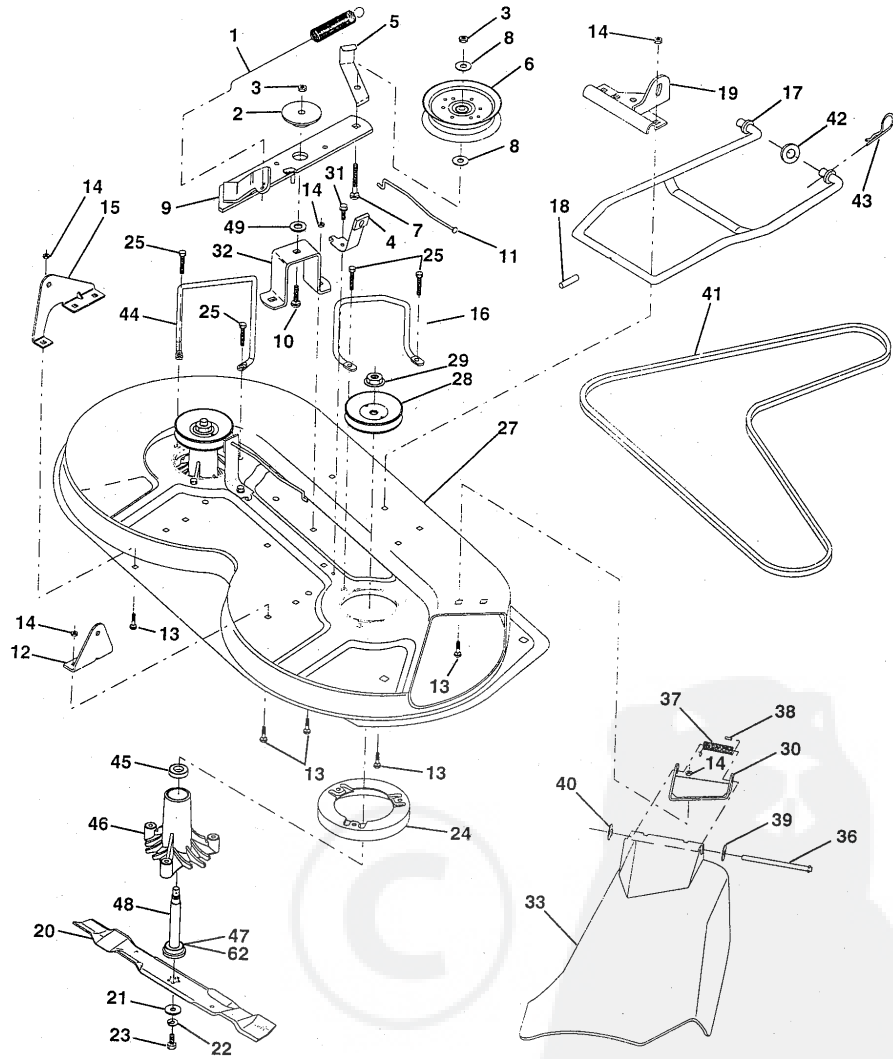
NOTE: All component dimensions given in U.S. inches
1 inch = 25.4 mm

HARDWARE SHOWN LARGER FOR EASIER IDENTIFICATION

REPAIR PARTS

TRACTOR - MODEL NUMBER TM12B36A

MOWER DECK



REPAIR PARTS

TRACTOR - MODEL NUMBER TM12B36A

MOWER DECK

KEY NO.	PART NO.	DESCRIPTION
1	140064	Spring, Mower Clutch
2	122052X	Spacer, Retainer
3	73680600	Nut, Lock Hex W/Wsh 3/8-16
4	130840	Assembly, Brake
5	131251	Guide, Belt Idler
6	121316X	Idler, Flat
7	72110616	Bolt, Carriage 3/8-16 x 2 Grade 5
8	19131410	Washer 13/32 x 7/8 x 10 Gauge
9	127744	Assembly, Mower Idler Arm
10	72140610	Bolt, Carriage 3/8-16 UNC x 1-1/4
11	130841	Rod, Brake
12	127356	Bracket, Rear Lift, R.H.
13	72140506	Bolt, Carriage 5/16-18 UNC x 3/4
14	73680500	Nut, Lock Hex W/Ins. 5/16-18
15	127357	Bracket, Rear Lift, L.H.
16	153298	Keeper, R.H.
17	128508	Stabilizer, Mower Link
18	128511	Pin, Drive
19	127380	Bracket, Stabilizer Link
20	138496	Blade
21	140296	Washer, Hard
22	10030600	Washer, Lock, Heavy 3/8
23	850857	Bolt 3/8-24 x 1-1/4 Grade 8
24	140329	Stripper
25	138776	Screw, Thdrol Hex Head
27	156600	Housing, Mower
28	153531	Pulley, Mandrel
29	137266	Nut, Flangelock 9/16
30	136631	Bracket, Deflector
31	17490508	Screw, Hex Washer Head, Thd. Roll. 5/16-18 x 1/2
32	122051X	Arm, Support Idler, Mower
33	131560	Shield, Deflector
36	121980X	Rod, Hinge
37	123713X	Spring, Torsion Deflector
38	105304X	Cap, Sleeve
39	19111016	Washer 11/32 x 5/8 x 16 Gauge
40	110452X	Nut, Push
41	131264	V-Belt
42	19171616	Washer 11/32 x 5/8 x 16 Gauge
43	3146R	Clip, Hairpin
44	140608	Keeper, L.H.
45	110485X	Bearing
46	128774	Housing, Mandrel, Vented
47	129895	Bearing
48	137645	Shaft, Mandrel (Includes Key Number 47)
49	133943	Washer, Hardened
62	153390	Washer, Felt
--	130794	Mandrel Assembly (Includes Key Numbers 21-23, 26, 29 and 45-48)
--	156866	Deck, Mower Complete

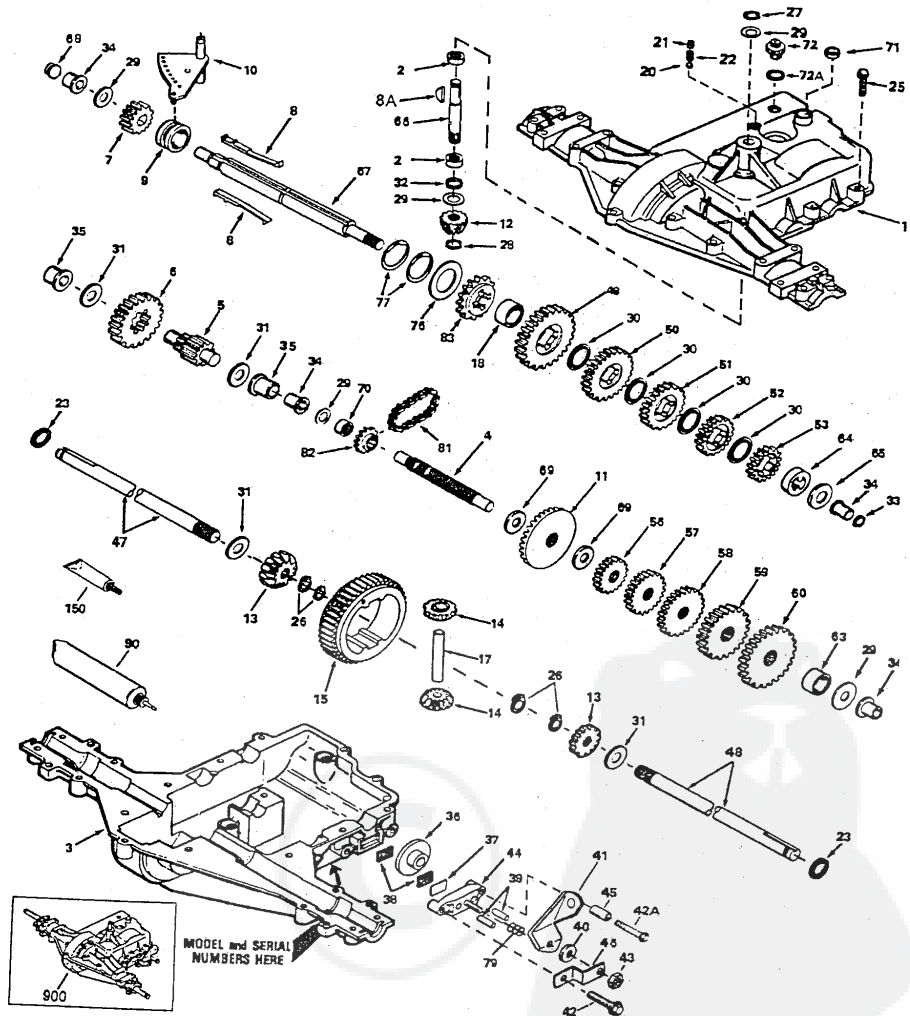
NOTE: All component dimensions given in U.S. inches
1 inch = 25.4 mm

HARDWARE SHOWN LARGER FOR EASIER IDENTIFICATION

REPAIR PARTS

TRACTOR - MODEL NUMBER TM12B36A

PEERLESS TRANSAXLE - MODEL NUMBER 930-009A



REPAIR PARTS

TRACTOR - MODEL NUMBER TM12B36A

PEERLESS TRANSAXLE - MODEL NUMBER 930-009A

REF PART NO.	DESCRIPTION	REF PART NO.	DESCRIPTION
1	772108A	42A	792085A
2	780086	43	792075
3	770102A	44	790025
4	776260	45	786066
5	776219B	46	786086
6	778139	47	774690
7	778136	48	774691
8	792136A	49	778191
8A	792047	50	778124A
9	784352	51	778123A
10	784355	52	778122A
11	778229	53	778273
12	778113A	56	778230
13	778221	57	778126A
14	778068	58	778127A
15	778260	59	778128A
17	786139	60	778163
18	786102	63	786071
20	792077	64	786072
21	792078	65	780109
22	792079	66	776135
23	788061	67	776315A
25	792073	68	786116A
26	792125	69	780051
27	792035	70	786118
28	788040	71	788069
29	780072	72	792165
30	780108	72A	788091
31	780001	76	780090
32	792001	77	788078A
33	788095	79	792144
34	780105A	81	786081
35	780118A	82	786082
36	790003	83	786123
37	790007	90	788067B
38	799021	150	510334
39	786026	900	794528A
40	792076A		
41	790079		
42	792073		
	Cover, Transaxle		Screw 1/4-20 x 2-1/4
	Bearing, Needle		Locknut 5/16-24
	Case, Transaxle		Holder, Brake Pad
	Shaft, Counter		Spacer
	Shaft and Pinion Assembly, Output		Bracket, Brake Lever
	Gear, Output		Axle 11-5/16" long
	Gear, Spur, 15 Teeth		Axle 16-1/2" long
	Key, Shift		Gear, Spur, 37 Teeth (1*)
	Key, Woodruff		Gear, Spur, 30 Teeth (2*)
	Collar, Shifter		Gear, Spur, 25 Teeth (3*)
	Rod and Fork Assembly, Shift		Gear, Spur, 22 Teeth (4*)
	Gear, Bevel, 42 Teeth		Gear, Spur, 19 Teeth, Steel (5*)
	Bevel Pinion, Input		Gear, Spur, 12 Teeth (1*)
	Gear, Bevel		Gear, Spur, 20 Teeth (2*)
	Gear, Bevel Pinion		Gear, Spur, 25 Teeth (3*)
	Gear, Ring		Gear, Spur, 28 Teeth (4*)
	Pin, Drive		Gear, Spur, 31 Teeth (5*)
	Spacer, Neutral		Spacer
	Ball, Steel 5/16" diameter		Spacer
	Set Screw 3/8-16 x 3/8		Washer, Thrust
	Spring		Shaft, Input
	Ring, Seal		Shaft, Brake, 4 Keyed
	Screw, Flanged Hex Head, Thread		Plug
	Forming 1/4-20 x 1-1/4		Washer, Thrust
	Ring, Retainer		Spacer
	(4 Required, Package of 2)		Seal, Square Cut
	Ring, Retainer		Plug, Threaded 9/16-18
	Ring, Retainer		"O" Ring
	Washer, Thrust		Washer, Thrust
	Washer, Thrust		Ring, Retaining, Inverted
	Washer		(Package of 2)
	"O" Ring		Spring, Brake
	Seal, Square Cut		Chain, Roller
	Bushing, Flanged		(Number 41 Chain, 24 Links)
	Bushing, Flanged		Sprocket, 9 Teeth (Reverse)
	Disk, Brake		Sprocket, 18 Teeth (Reverse)
	Plate, Brake Pad		Grease, Bentonite, 32 Ounce Bottle
	Pad, Brake		Gasket Eliminator (Loctite #515)
	Pin, Dowel		Replacement Transaxle
	Washer, Flat		
	Lever, Brake		
	Screw, Flanged Hex Head, Thread		
	Forming 1/4-20 x 1-1/4		

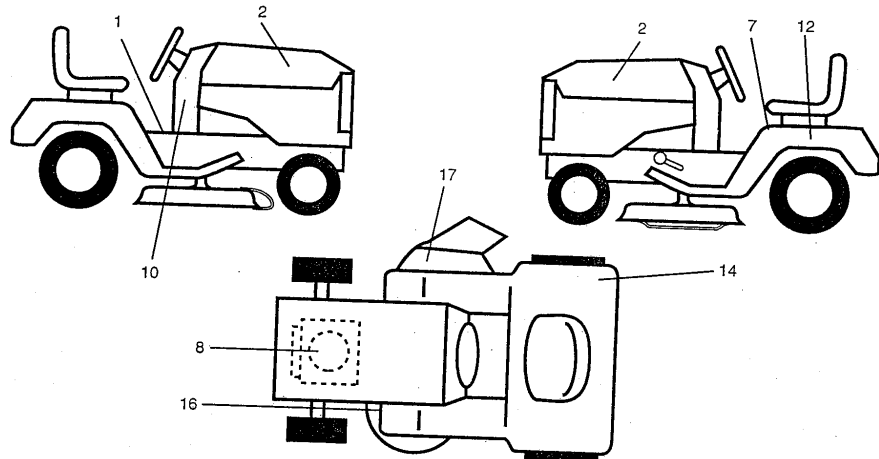
NOTE: All component dimensions given in U.S. inches
1 inch = 25.4 mm

Parts must be ordered from Tecumseh Products Co.

REPAIR PARTS

TRACTOR - MODEL NUMBER TM12B36A

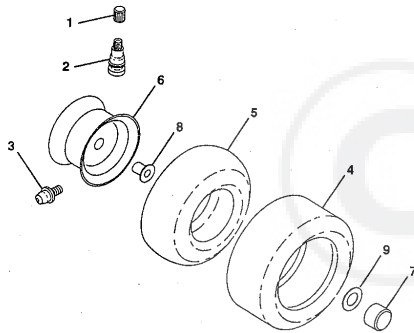
DECALS



KEY NO.	PART NO.	DESCRIPTION
1	159739	Decal, Op. Instruction, Symbol (French/German/English/Dutch)
2	159346	Decal, Hood
3	159736	Decal, Chassis Hot Muffler
7	145498	Decal, Read, Symbol
8	272440	Decal, Engine
10	145437	Decal, Europe, Stand. Ce.
12	145005	Decal, Caution, Battery
14	125690X	Decal, 100 DbA
16	145494	Decal, Certification

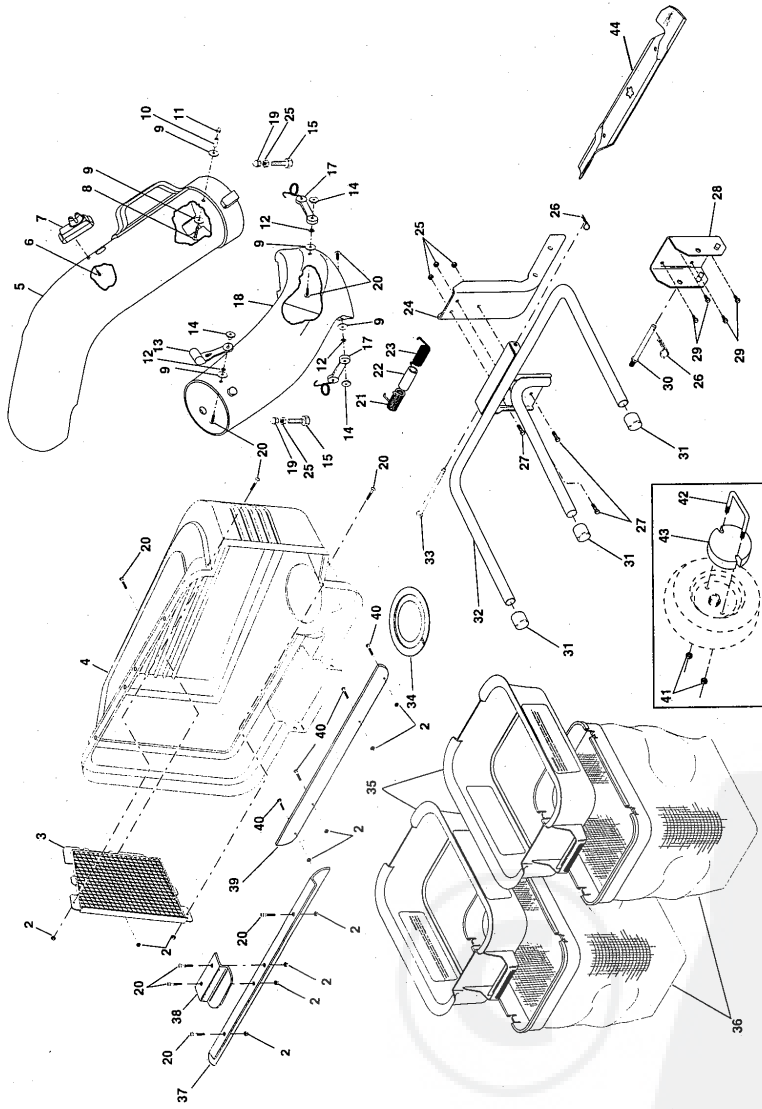
KEY NO.	PART NO.	DESCRIPTION
17	136830	Decal, V-Belt, Schematic
--	138311	Decal, Lift Handle
--	157085	Manual, Operator's (Euro)
--	159225	Manual, Repair Parts
Available accessories are not included with your tractor:		
	MK36	Muicher Kit

TIRES & WHEELS



KEY NO.	PART NO.	DESCRIPTION
1	59192	Cap, Valve
2	65139	Stem, Valve
3	278H	Fitting, Grease (Front Only)
4	137422	Tire, Front
	132703	Tire, Rear
5	59904	Tube, Tire, Front
	6134H	Tube, Tire, Rear
(Optional, Service Items Only)		
6	137237X427	Rim Assembly, Front
	140325X427	Rim Assembly, Rear
7	104757X	Cap, Axle
8	9040H	Bearing, Flange (Front Only)
9	121748X	Washer, Axle Cap
--	144334	Sealant, Tire (10 Ounce Tube)

REPAIR PARTS/PIÈCES DE RECHANGE



REPAIR PARTS/PIÈCES DE RECHANGE

KEY PART NO.	DESCRIPTION	DESCRIPTION	KEY PART NO.	DESCRIPTION	DESCRIPTION
2	Locknut #10-24	Écrou frein	26	532124670	Ressort de retenue
3	Screen, Cover	Grillage de couvercle	27	874760512	Boulon H 5/16-18 x 3/4
4	532140654	Couvercle	28	532130089	Support de montage
5	532128598	Chute, Upper	29	817490508	Vis à filets laminage 5/16-18 x 1/2
6	816021008	Screw, Special	30	532131137	Goupille de poteau de soutien
7	532140572	Indicator, Dump Bag	31	532134496	Chapeau de l'extrémité de tuyau
8	532087175	Screw #10-24 x 1-1/8	32	532126919	Cadre de ramasse-herbe
9	819061216	Washer 3/16 x 3/4 x 16 Ga.	33	532128600	Goupille de charnière
10	532007206	Spacer, Spill	34	532127534	Garniture de couvercle
11	532060867	Nut, Acorn #10-24	35	532129585	Sommet de conteneur
12	810071000	Washer, lock	36	532132431	Fond de conteneur
13	532109808	Latch, Chute	37	532132256	Sceau de couvercle
14	532125004	Nut, Weld	38	532130895	Poignée de loquet de couvercle
15	874930516	Bolt, Hex 5/16-18 x 1	39	532135495	Ruban d'blanchet
17	532130758	Latch Assy., Bagger	40	871161010	Vis #10-24 x 5/8
18	532128599	Chute, Lower	41	873800600	Écrou frein 3/8-16
19	532133941	Nut, Acorn 5/16-18	42	532137031	Étrier
20	871161010	Screw #10-24 x 5/8	43	532123635	Poids de roue
21	532132796	Spring, Cover L.H. (black)	44	532138496	Lame de levage haut
22	532133235	Spacer, Cover	—	—	Sac-poubelle; 3,0 mil. 30 gallon (N'y pas compris avec le ramasse-herbe)
23	532132983	Spring, Cover R.H. (gray)	—	—	Manuel du propriétaire
24	532127720	Post, Support	—	—	
25	532063124	Locknut 5/16 x 18	—	—	

