

CATALOGUE PIECES DE RECHANGE

BERNARD Loisirs

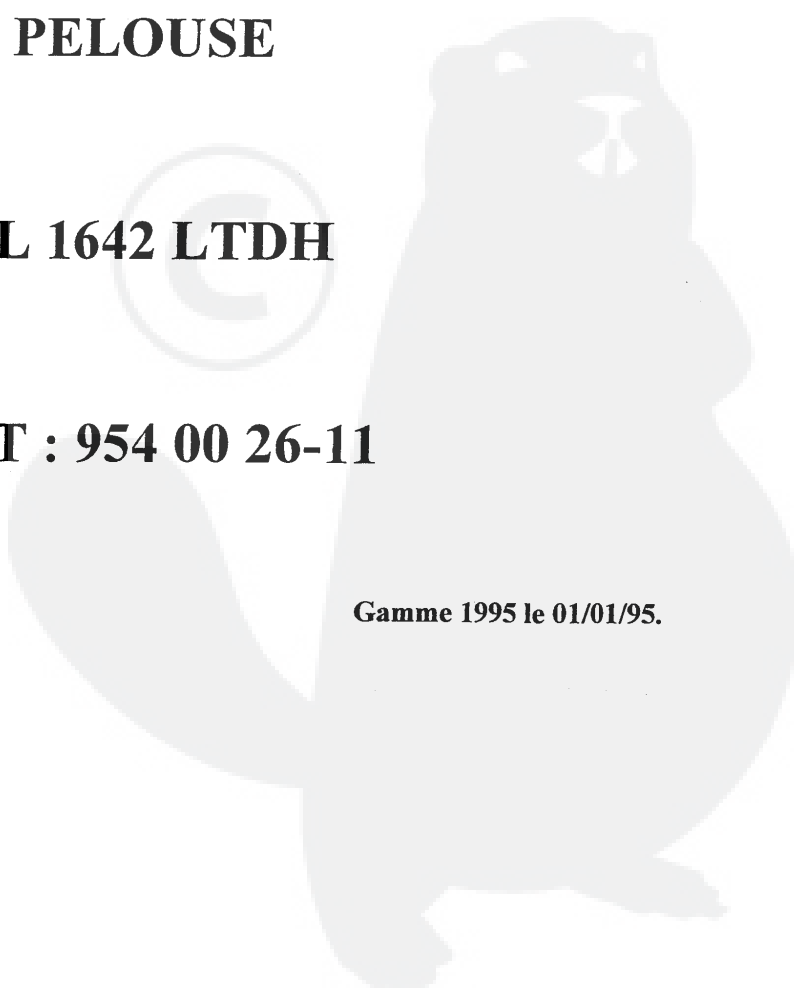
TRACTEUR DE PELOUSE

MODELE : BL 1642 LTDH

N° DE PRODUIT : 954 00 26-11

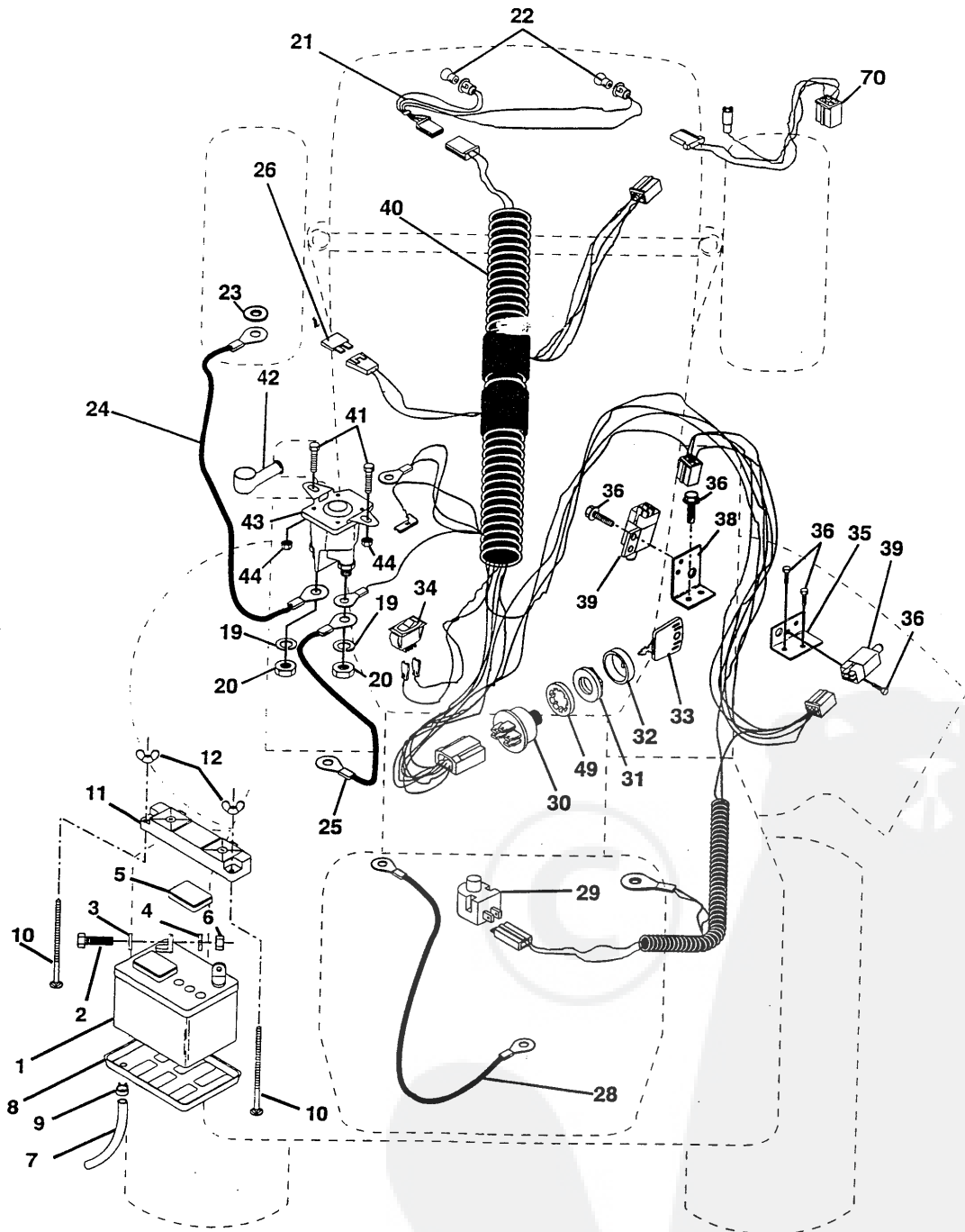
146219 09.23.94

Gamme 1995 le 01/01/95.



REPAIR PARTS

TRACTOR -- MODEL NO. BL1642LTDHA, PRODUCT NO. 954 00 26-11
ELECTRICAL



REPAIR PARTS

TRACTOR -- MODEL NO. BL1642LTDHA, PRODUCT NO. 954 00 26-11
ELECTRICAL

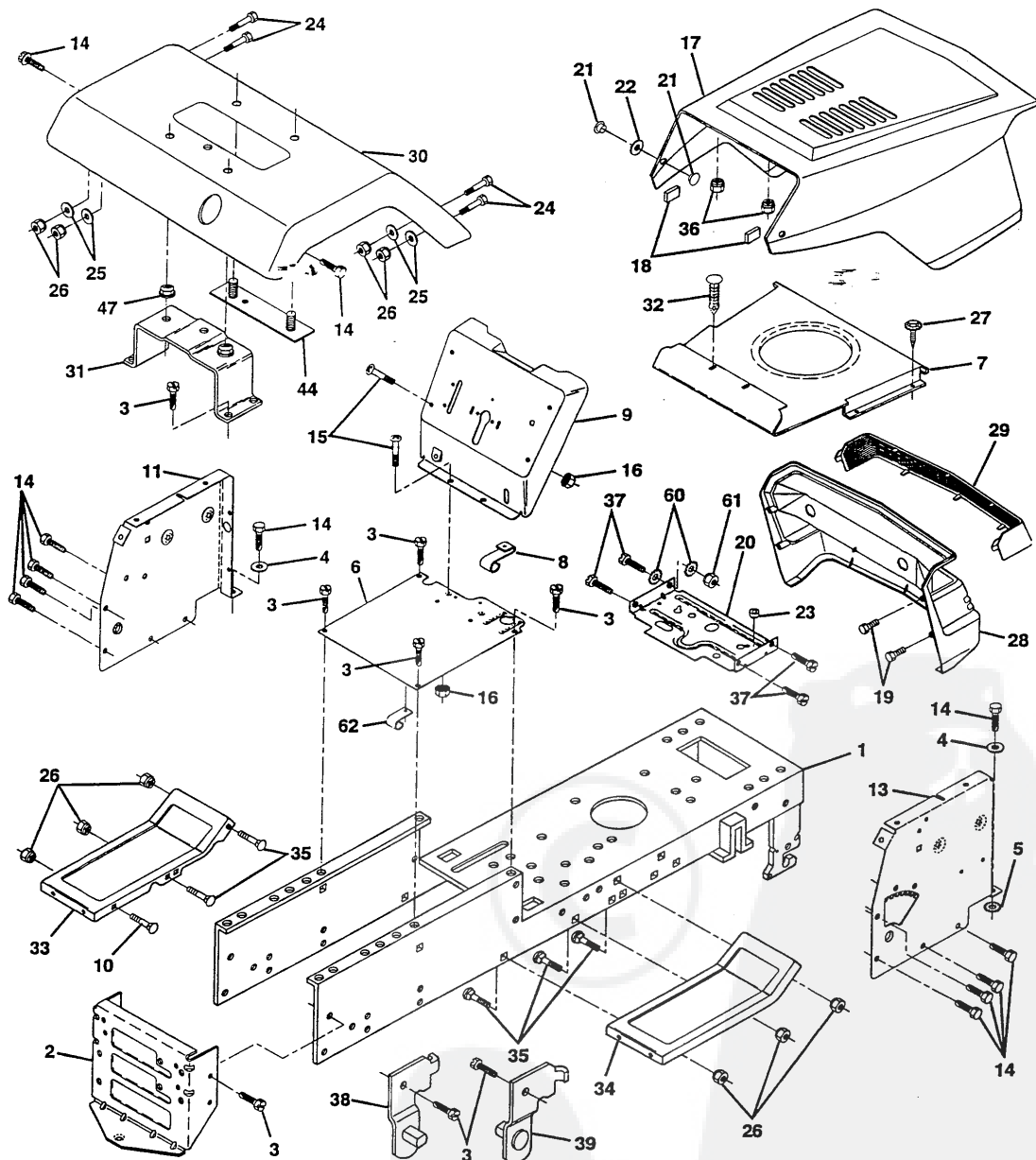
KEY NO.	PART NO.	DESCRIPTION
1	532121537	Battery 12 volt 30 AMP
2	874760412	Bolt Hex Hd 1/4-20unc X 3/4
3	819091016	Washer 9/32 X 5/8 X 16 Ga
4	810040400	Washer Lock Hvy Helical 1/4
5	532121264	Caps Battery 20/25/30
6	873220400	Nut Fin Hex 1/4-20 Unc
7	532007697	Tube Plastic 46" Front Battery
8	532124886	Tray Battery 7.80 x 5.25 Blk
9	532109596	Clamp Hose Olive
10	872240460	Bolt, Rdhd Sqnk 1/4-20 x 7-1/2
11	532102476	Guard Terminal Blk
12	532123198	Nut Plastic Locking Wng 1/4-20
19	810090400	Washer Lock 1/4
20	873350400	Nut Jam Hex 1/4-20 Unc
21	532136850	Harness Asm Light W/4152J
22	532004152	Bulb Light #1156
23	811150400	Washer Lock Internal Tooth 1/4
24	532124770	Cable Battery 6 Ga 22" red
25	532124770	Cable Battery 6 Ga 22" red
26	532108824	Fuse 30 AMP Auto Green
28	532124773	Cable Ground 6 Ga 12"black
29	532121305	Switch Plunger Nc Gray
30	532144921	Switch Ignition 3 pos
31	532140400	Nut Ignition
32	532141226	Cover Sw Key Blk 1 25 Text SLT
33	532140401	Key Ign Molded Generic Delta
34	532110712	Switch Light Blk Blk Red
35	532108236	Bracket Switch Clutch
36	817021008	Screw Tap Hex #10-24unc X 1/2
38	532140336	Bracket Switch Interlock
39	532109553	Switch Intlk Clutch Gry 4 Term
40	532140415	Harness Ign Dash Lthyd Mech
41	871110408	Bolt Hex Hd. Fin 1/4-20 x 1/2
42	532131563	Cover Terminal Red
43	532138406	Solenoid
44	873640400	Nut Keps Hex 1/4-20 Unc
49	811151000	Washer Lock Internal Tooth 5/8
70	532140413	Harness Engine B&S, 14 OHV Dual

NOTE: All component dimensions given in U.S. inches
1 inch = 25.4 mm.



REPAIR PARTS

TRACTOR -- MODEL NO. BL1642LTDHA, PRODUCT NO. 954 00 26-11
CHASSIS AND ENCLOSURES



REPAIR PARTS

TRACTOR - - MODEL NO. BL1642LTDHA, PRODUCT NO. 954 00 26-11
CHASSIS AND ENCLOSURES

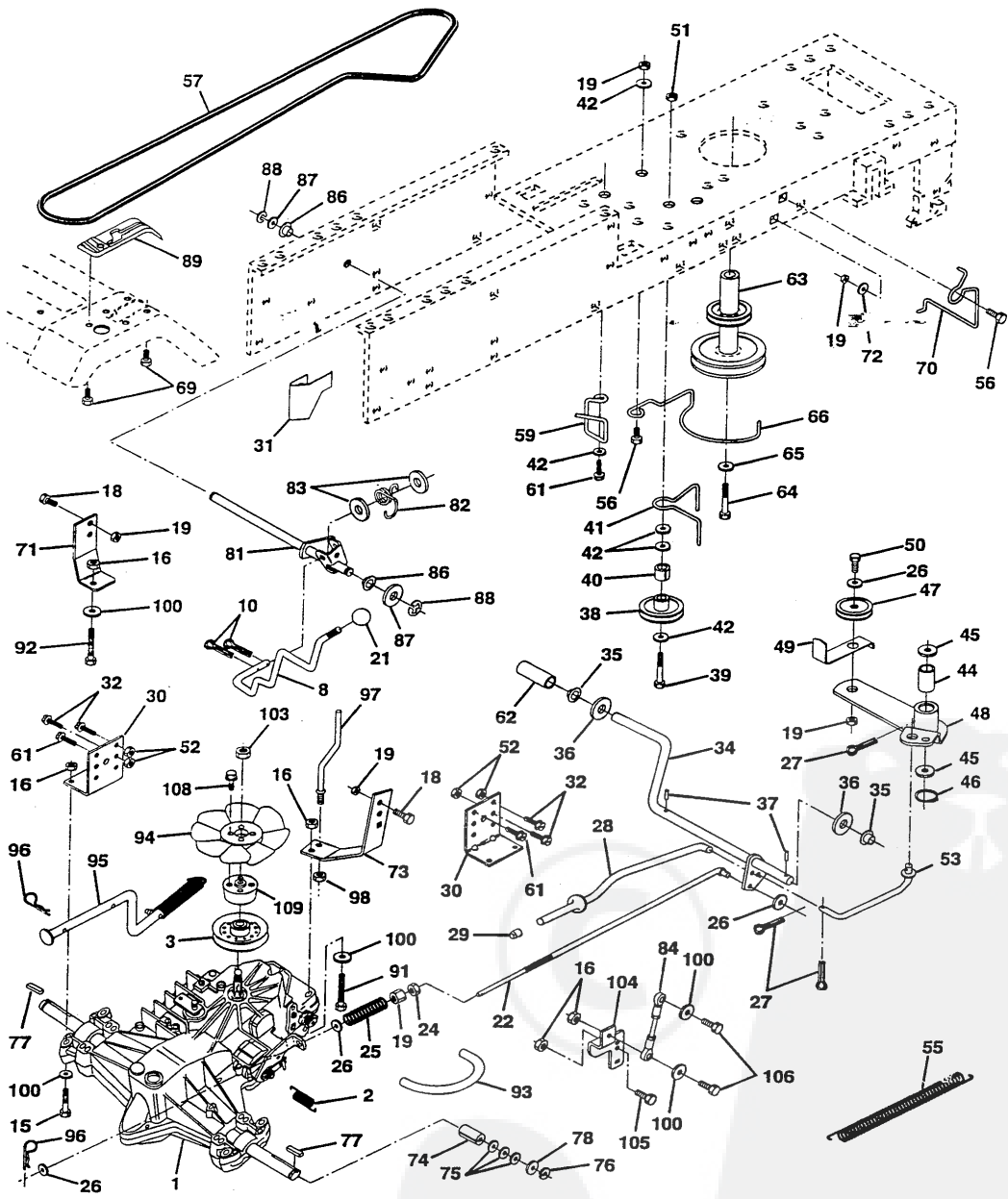
KEY NO.	PART NO.	DESCRIPTION
1	532140341	Chasis Weldment 11Ga.
2	532140356	Drawbar, Stretch
3	817490612	Screw Thdrol 3/8-16x3/4 Ty-tt
4	819131216	Washer 13/32 X 3/4 X 16 Ga
5	811050600	Washer Lock Ext Tooth 3/8
6	532145206	Lt Flat Fender Shift
7	532142844	Shield Heat Hood GT
8	532126471	Clip Insulator .406 Mt. Hole
9	532146417	Dash Silkscreened
10	872140600	Panel Carriage 3/8-16unc X 1
11	532135464	Panel Pnt Dash Lh
13	532124829	Panel Dash Rh Weldment
14	817490608	Scre wThdrol 3/8-16x1/2 Ty-tt
15	874180512	Screw Mach Trhd 5/16-18uncx3/4
16	873510500	Nut Keps 5/16-18 Unc
17	532146418	Hood Asm Pnt Weldment GT Slope
18	532126938	Hood Bumper
19	817521312	Screw Sltd Hex Hd w/PI Washer
20	532140281	Support Battery
21	532122933	Rivet Ratchet Nylon
22	532124479	Washer Nylon Blk 28 x 75 x 19
23	532124028	Bushing Snap Nyl Blk Fuel Line
24	874780616	Bolt Fin Hex 3/8-16unc X 1 Gr. 5
25	819131312	Washer 13/32 X 13/16 X 12 Ga
26	873800600	Nut, Lock Hex W/Ins. 3/8-16 Unc
27	817030814	Screw Spiderloc Hex Hd. #8 x 7/8 AB
28	532140135	Grille Grey
29	532124029	Lens Highlight Bar Clear
30	532144523	Fender Pnt
31	532137113	Bracket Pnt Fender
32	532133835	Fastener Christmas Tree
33	532124899	Footrest Pnt LH
34	532124914	Footrest Pnt RH
35	872110606	Bolt Rdhd Sht Sqnk 3/8-16 X3/4
36	532108067	Nut Pal
37	817490512	Screw Thdrol 5/16-18 x 3/4
38	532139886	Bracket, Asm. Pivot, Lh., Mower Rear
39	532139887	Bracket, Asm. Pivot, Rh., Mower Rear
44	532140675	Strap Asm. Fender
47	532105531	Nut Push Nylon
60	811050500	Washer Lock Ext. Tooth 5/16
61	873680500	Nut Crownlock 5/16-18 UNC
62	532141606	Clip Wire

NOTE: All component dimensions given in U.S. inches.
1 inch = 25.4 mm.



REPAIR PARTS

TRACTOR -- MODEL NO. BL1642LTDHA, PRODUCT NO. 954 00 26-11
DRIVE



REPAIR PARTS

TRACTOR -- MODEL NO. BL1642LTDHA, PRODUCT NO. 954 00 26-11

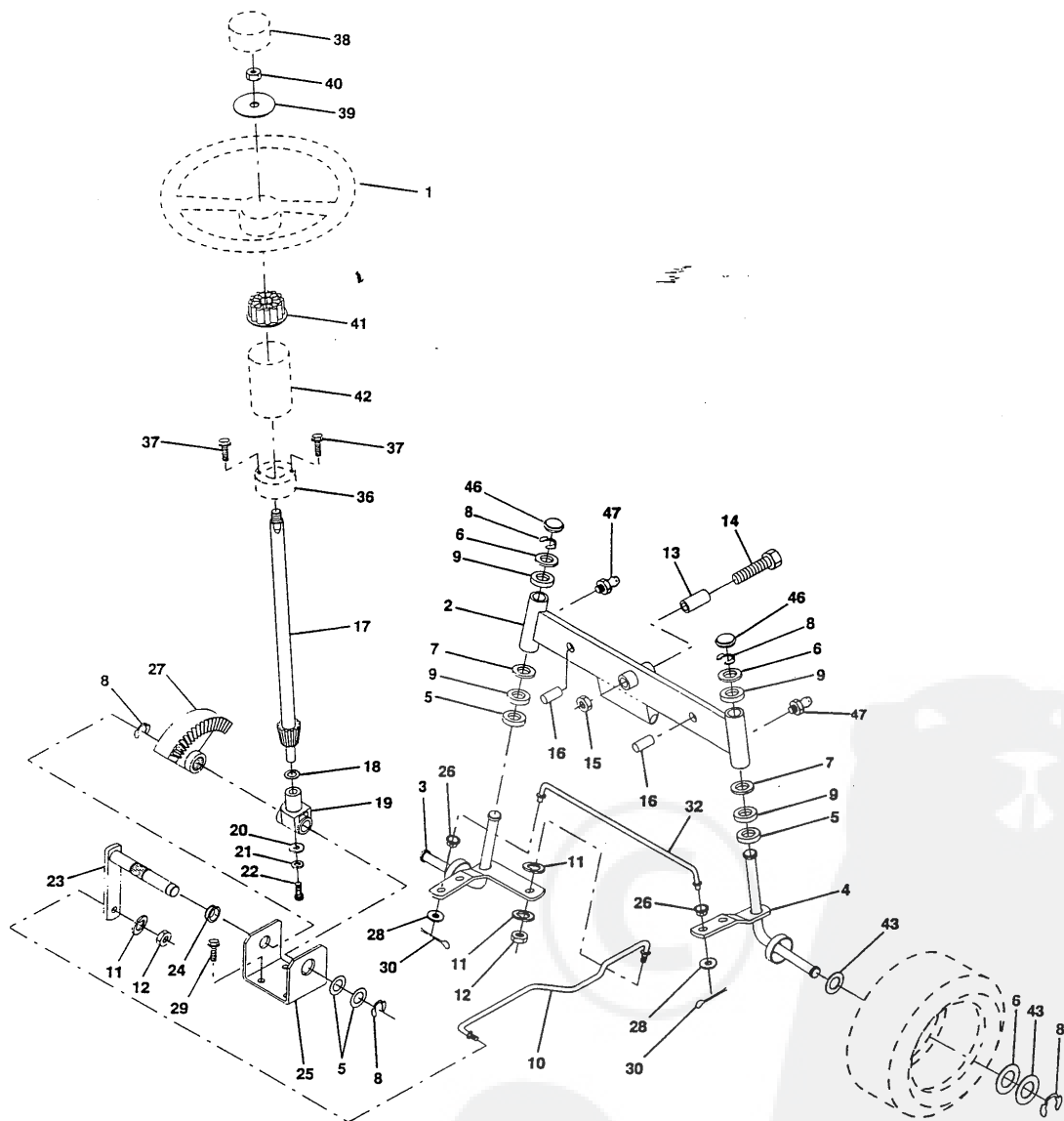
DRIVE

KEY NO.	PART NO.	DESCRIPTION	KEY NO.	PART NO.	DESCRIPTION
1	532140607	Transaxle Assembly	61	817490612	Screw Thdrol. 3/8-16 x 3/4 Ty. TT
2	532142431	Spring, Return, Brake	62	532124872	Cover, Pedal
3	532144698	Pulley, Transaxle	63	532140186	Pulley, Engine
8	532141002	Rod Shift Hydro YT	64	871170764	Bolt, Hex
10	876020416	Pin Cotter 1/8 x 1 CAD	65	810040700	Washer
15	874780544	Bolt Fin Hex 5/16-18 Unc	66	532129921	Keeper Belt Engine
16	873800500	Nut Lock Hex W/Ins 5/16-18 Unc P	69	532142432	Screw
18	874780616	Bolt Fin Hex 3/8-16 Unc x 1 Gr. 5	70	532134683	Keeper Belt Engine
19	873800600	Nut Lock Hex W/Wsh 3/8-16 Unc	71	532141417	Strap Torque Lh Hydro 500 18"
21	532106933	Knob 1/2-13	72	819132012	Washer 13/32 x 1-1/4 x 12 Gauge
22	532140217	Rod, Brake Hydro	73	532141418	Strap Torque Rh Hydro 500 18"
24	873350600	Nut	74	532121199	Spacer, Split
25	532106888	Spring, Brake Rod	75	532121749	Washer 25/32 x 1-1/4 x 16 Gauge
26	819131316	Washer	76	812000001	E-Ring
27	876020412	Pin Cotter 1/8 x 3/4 CAD.	77	532123583	Key, Square
28	532140448	Rod, Parking Brake	78	532121748	Washer 25/32 x 1-5/8 x 16 Gauge
29	532071673	Cap, Parking Brake	81	532141420	Shaft Asm. Cross Hydro 500
30	532130807	Bracket, Transaxle	82	532123782	Spring Torsion T/A
31	532127275	Keeper Belt Lh	83	819171216	Washer 17/32 x 3/4 x 16 Ga.
32	874760512	Bolt Hex Hd 5/16-18 Unc x 3/4	84	532141423	Rod, Tie Hydro Sph Ball 500
34	532122424	Shaft, Foot Pedal	86	532071208	Bushing Rod Strig. 629/632 ID
35	532120183	Bearing, Nylon	87	819212016	Washer 21/32 x 1-1/4 x 16 Ga.
36	819211616	Washer	88	812000008	Ring Klip #5304-62
37	532124963	Pin, Roll	89	532139988	Console, Shift
38	532123674	Pulley, Idler, Flat	91	874780536	Bolt Fin Hex 5/16-18 x 2-1/4
39	874760644	Bolt	92	874780524	Bolt Fin Hex 5/6-18 Unc x 1-1/2
40	532124965	Spacer, Split	93	532142564	Line Fuel Hydro 4"
41	532109070	Keeper, Belt Retainer	94	532140462	Fan, Hydro 7"
42	819131312	Washer 13/32 x 13/16 x 12 Gauge	95	532144643	Control Asm. Bypass Hydro
44	532105706	Bearing, Nylon	96	532124788	Retainer Spring 1" Zinc/Cad
45	532110812	Washer, Hardened	97	532144201	Keeper Belt Rh Hydro 500
46	812000039	Ring, Klip	98	873510600	Nut Keps Hex 3/8-16 Unc
47	532127783	Pulley, Idler, V-Groove	100	819111216	Washer 11/32 x 3/4 x 16 Ga.
48	532123789	Bellcrank Assembly	103	532050831	Nut Nylon Insert 1/2-20 Unf.
49	532123205	Retainer, Belt	104	532141421	Arm, Control Pump
50	874760624	Bolt	105	871070516	Screw Cap Hex 5/16 x 18 x 1
51	873680600	Nut Crownlock 3/8-16 Unc	106	874780520	Bolt Fin Hex 5/16-18 Unc x 1-1/4
52	873680500	Nut Crownlock 5/16-18 Unc	108	817541026	Screw Hex Wh Hd #10-24 x 1-5/8
53	532105710	Link, Clutch	109	532145098	Adaptor Fan/Hydro Lt Hyd Alum
55	532105709	Spring, Return, Clutch			
56	874760620	Bolt Fin Hex 3/8-16 Unc x 1-1/4			
57	532141416	V-Belt, Ground Drive			
59	532140312	Keeper, Center Span			

NOTE: All component dimensions given in U.S. inches.
1 inch = 25.4 mm.

REPAIR PARTS

TRACTOR -- MODEL NO. BL1642LTDHA, PRODUCT NO. 954 00 26-11
STEERING ASSEMBLY



REPAIR PARTS

TRACTOR - - MODEL NO. BL1642LTDHA, PRODUCT NO. 954 00 26-11
STEERING ASSEMBLY

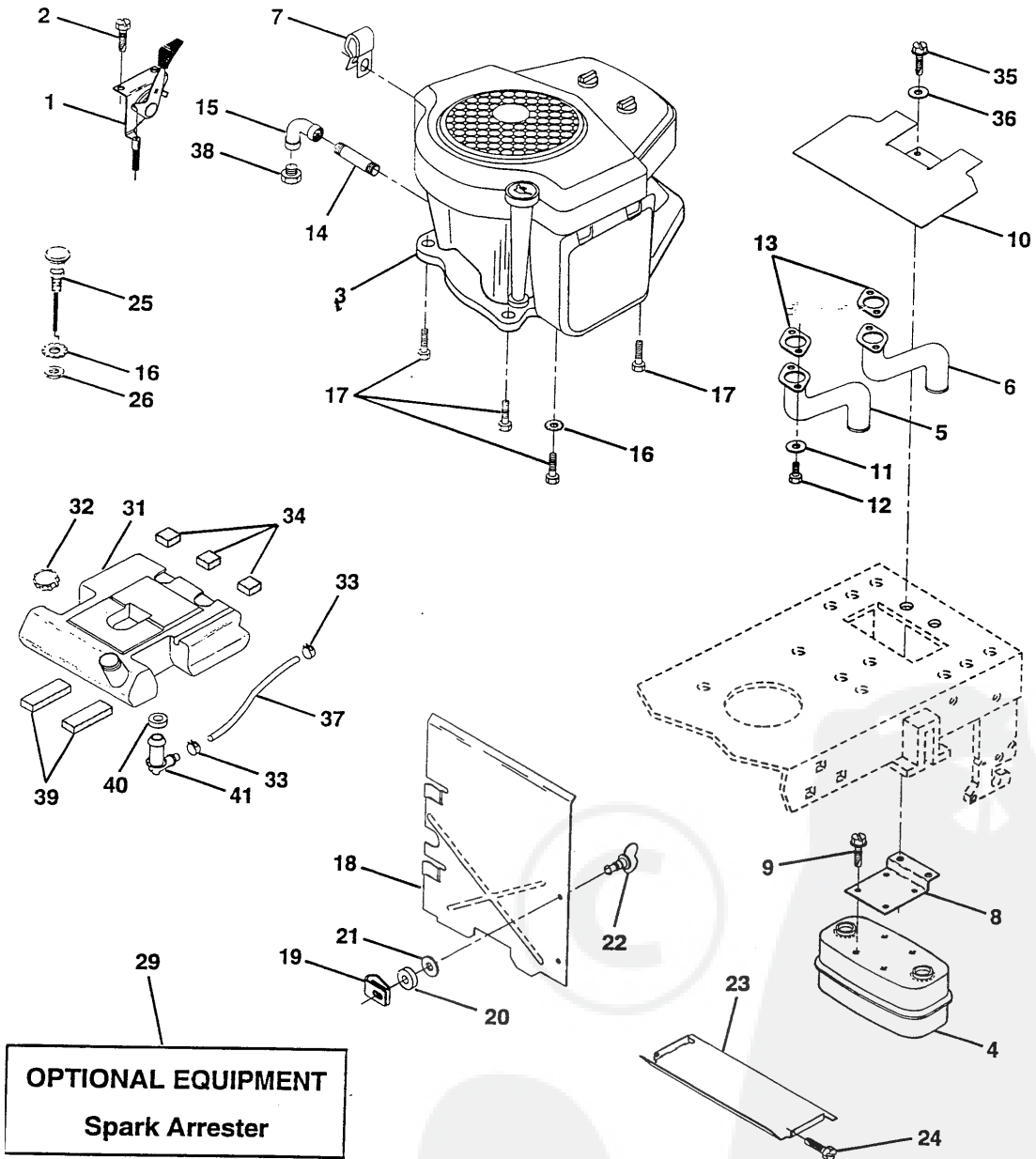
KEY NO.	PART NO.	DESCRIPTION
1	532133741	Wheel Steering Ayp/kelch Blk
2	532142033	Axle Asm Fr LT W/gzks 38/42
3	532135227	Spindle Asm LH
4	532135228	Spindle Asm RH
5	532124931	Bearing Race Thrust Harden
6	532121748	Washer 25/32 X 1-5/8 X 16 Ga
7	819272016	Washer 27/32 X 1-1/4 X 16 Ga
8	812000029	Ring Klip #t5304-75
9	532124937	Bearing Col Strg Blk
10	532130468	Link Drag Sol Ball Jt 20 064
11	810040600	Washer Lock Hvy Hlcl Spr 3/8
12	873610600	Nut Fin Hex 3/8-24 Unf
13	532110438	Spacer Bearing Axle Front
14	874011056	Bolt Hex 5/8-11 Unc X 3-1/2
15	873901000	Nut Lock Flange 5/8-11 Unc
16	532132624	Pin Axle 5/8 X 1 55/1 54 Lg
17	532132614	Shaft Asm Strg 5/8 X 15 19 LT
18	532057079	Washer Thrust 515x 750x 033
19	532124035	Support Shaft
20	532126684	Washer Shim 1/4 X 5/8 X 062
21	810040400	Washer Lock Hvy Helical 1/4
22	871070410	Screw Hex Socket 1/4-20 X 5/8
23	532127501	Shaft Asm Pittman
24	532109816	Nyliner Snap In
25	532124036	Bracket Steering
26	532126847	Bushing Link Drag Blk LR
27	532136874	Gear Sector 22 Teeth
28	819131416	Washer 13/32 X 7/8 X 16 Ga
29	817490612	Screw Thdrol 3/8-16x3/4 Ty-It
30	876020412	Pin Cotter 1/8 X 3/4 Cad
32	532130465	Rod Tie Wire Form 19 75 Mech
36	532132196	Bushing Strg 5/8 Id Dash
37	817431008	Screw Slftp #10-16 X 1/2 Ty-b
38	532133742	Cap Wheel Steer Ayp/kelch Blk
39	819133808	Washer 13/32 X 2-3/8 X 8 Ga
40	532124701	Nut Lock Center 3/8-24unf
41	532104820	Adaptor Wheel Strg 640/ 635id
42	532124418	Boot Shaft Steering Blk
43	532121749	Washer 25/32 X 1 1/4 X 16 Ga
46	532121232	Cap Spindle Fr Top Blk
47	532124836	Fitting Grease

NOTE: All component dimensions given in U.S. inches.
1 inch = 25.4 mm.



REPAIR PARTS

TRACTOR -- MODEL NO. BL1642LTDHA, PRODUCT NO. 954 00 26-11
ENGINE

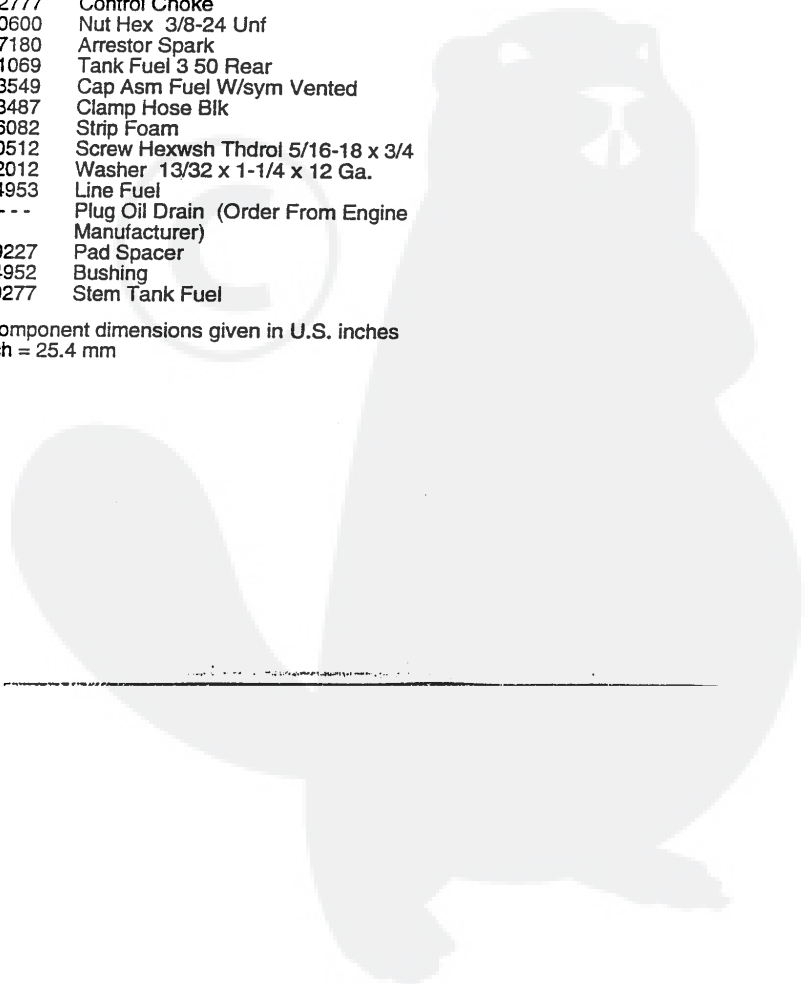


REPAIR PARTS

TRACTOR - - MODEL NO. BL1642LTDHA, PRODUCT NO. 954 00 26-11
ENGINE

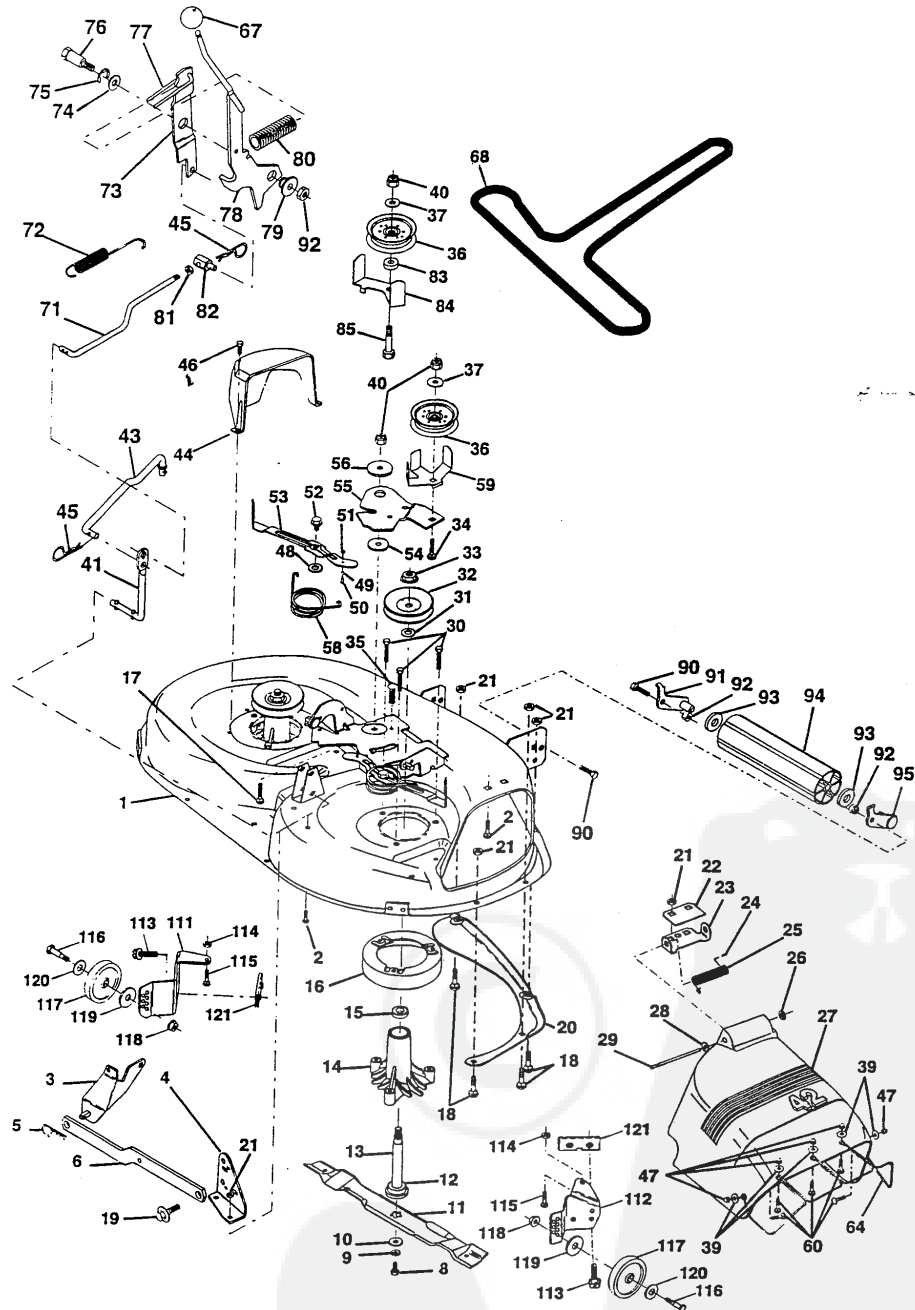
KEY NO.	PART NO.	DESCRIPTION
1	532132775	Control Throt Rh Blk Pdl 36 60
2	817720410	Screw Hex Thd Cut 1/4-20x5/8 T
3	-----	Engine B&S 16hp, Model No. 40A707
4	532137978	Muffler Exhaust
5	532122434	Tube Manifold Lh
6	532122435	Tube Manifold Rh
7	532138129	Clamp Tube Double Engine
8	532122439	Bracket Muffler Mounting
9	817190408	Screw Hex Whs Thdcut 1/4-20 Unc
10	532145552	Heat Shield
11	-----	Washer Lock Hvy. Helical 1/4 (Order from Engine Manufacturer)
12	-----	Bolt Fin Hex 1/4-20 x 3/4 (Order from Engine Manufacturer)
13	-----	Gasket Muffler (Order from Engine Manufacturer)
14	813280336	Nipple Pipe 4-1/2"
15	813200300	Elbow Std 90 Degree 3/8-18 Npt
16	811050600	Washer Lock Ext Tooth 3/8
17	817490624	Screw Thdrol 3/8-16x1-1/2 Tytt
18	532137358	Heat Shield P t Gt/Slope
19	532105839	Receptacle 1/4 turn
20	532105838	Retainer 1/4 turn
21	532110436	Bushing Snap Split Blk
22	532123650	Stud 1/4 turn
23	532128953	Shield Pnt Heat Browning Grass
24	817021008	Screw Tap Hex #10-24 x 1/2
25	532132777	Control Choke
26	873610600	Nut Hex 3/8-24 Unf
29	532137180	Arrestor Spark
31	532141069	Tank Fuel 3 50 Rear
32	532123549	Cap Asm Fuel W/sym Vented
33	532123487	Clamp Hose Blk
34	532106082	Strip Foam
35	817490512	Screw Hexwsh Thdrol 5/16-18 x 3/4
36	819132012	Washer 13/32 x 1-1/4 x 12 Ga.
37	532124953	Line Fuel
38	-----	Plug Oil Drain (Order From Engine Manufacturer)
39	532109227	Pad Spacer
40	532124952	Bushing
41	532139277	Stem Tank Fuel

NOTE: All component dimensions given in U.S. inches
1 inch = 25.4 mm



REPAIR PARTS

TRACTOR -- MODEL NO. BL1642LTDHA, PRODUCT NO. 954 00 26-11
MOWER DECK



REPAIR PARTS

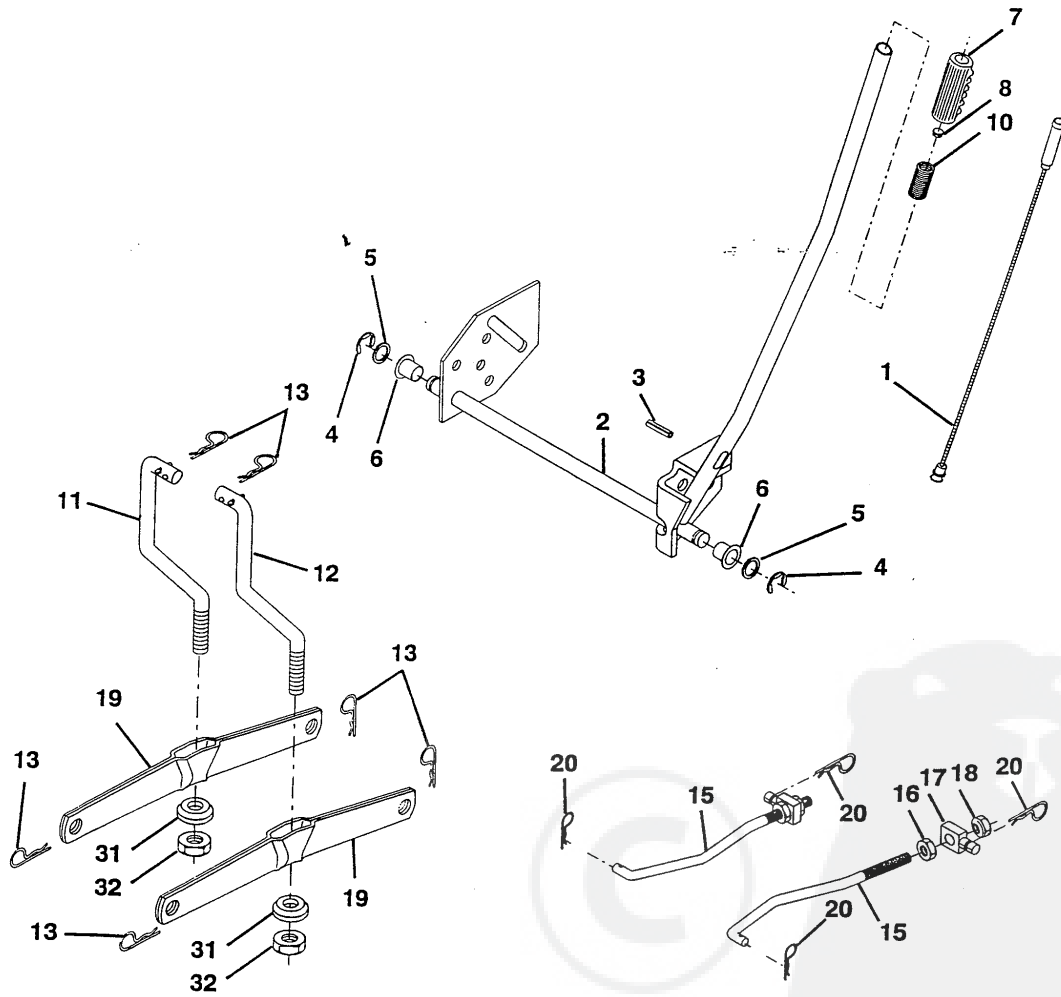
TRACTOR - - MODEL NO. BL1642LTDHA, PRODUCT NO. 954 00 26-11
MOWER DECK

KEY NO.	PART NO.	DESCRIPTION	KEY NO.	PART NO.	DESCRIPTION
1	532144393	Deck Asm MWR 42"weidment	55	532140084	Arm Idler 42"mower LT/YT
2	872140506	Bolt Rdhd Sqnk 5/16-18unc X3/4	56	532122052	Spacer Retainer Pm Mower
3	532138017	Bracket Asm Fr Sway Bar 38/42	58	532140086	Spring Torsion Brakes
4	532138440	Bracket Asm Deck 42"sway Bar	59	532141043	Guard TUV Idler
5	532124670	Retainer Spring	60	532145989	Bolt Rdhd Sqnk M5 x 0.8 x 6 mm
6	532130832	Arm Suspension Rear	64	532139328	Guard Deflector Mower 42" TUV
8	532850857	Bolt 3/8 - 24 X 1.25 Gr 8	67	532106932	Knob Rd 3/8-16 Plstc Thds Blk
9	810030600	Washer Lock Hvy 3/8	68	532144200	V-Belt Mower 42"
10	532140296	Washer Hard Blade Mower Vented	71	532142427	Rod Clutch Primary 38/42
11	532138498	Blade Mower Hi-Lift 42"	72	532131870	Spring Return
12	532129895	Bearing Ball #6024 (Mandrel)	73	532127847	Arm Clutch Secondary
13	532137645	Shaft Asm W/lower Bearing	74	532121748	Washer 25/32 X 1-5/8 X 16 Ga
14	532128774	Housing Mandrel Vented	75	812000029	Ring Klip #5304-75
15	532110485	Bearing Ball Mandrel	76	532128903	Bolt Shoulder 3/8-16 Unc 1 44
16	532140329	Stripper Mower Vented	77	532127845	Keeper Spring 4 000
17	872110610	Bolt Rdhd Sqnk 3/8-16 X 1-1/4	78	532140334	Arm Asm Clutch Primary
18	872140505	Bolt Rdhd Sqnk 5/16-18 X 5/8	79	532127498	Bushing 747 Od X 794 Lg Brass
19	532132827	Bolt Shoulder	80	532128759	Spring Clutch Mower 2 750 Zinc
20	532136888	Baffle Vortex 42	81	873350600	Nut Hex Jam 3/8-16
21	873680500	Nut Crownlock 5/16-18 UNC	82	532142028	Trunnion Adj 94
22	532134753	Stiffener Bracket 42"deck	83	532120958	Washer Sintered
23	532131267	Bracket Deflector Mower 42"	84	532144394	Keeper Belt Idler Fixed
24	532105304	Cap Sleeve 80x 112 Blk Mower	85	872140620	Bolt Carriage 3/8-16 x 2-1/2 Gr. 5
25	532123713	Spring Torsion Deflector 2 52	90	874760616	Bolt Fin Hex 3/8-16 UNC x 1
26	532110452	Nut Push Phos & Oil	91	532132274	Bracket Asm Noseroller LH
27	532139450	Shield Deflector Mower 42" Blk	92	873800600	Nut Lock Hex W/Ins 3/8-16 Unc
28	819111016	Washer 11/32 X 5/8 X 16 Ga	93	819171416	Washer 17/32 x 7/8 x 16 Ga.
29	532131491	Rod Hinge 42"6 75 Wig	94	532132264	Roller Nose 38 & 42
30	532138776	Screw Thdrol Hex Head Zinc Mwr	95	532132273	Bracket Asm Noseroller RH
31	532129963	Washer Spacer Mower Vented	111	532140353	Bracket Wheel Gauge LH 42" Deck
32	532129861	Pulley Mandrel 42"	112	532132262	Bracket Gauge Wheel RH 42" Deck
33	532137266	Nut 9/16 Toplock Fling Oil Dip	113	817490512	Screw Thdrol 5/16-18 x 3/4
34	872110614	Bolt Rdhd 3/8-16uncx1-3/4 Gr5	114	873510500	Nut Keps 5/16-18 UNC
35	532133835	Fastner Christmas Tree	115	872110504	Bolt Carriage 5/16-UNC x 1/2
36	532131494	Pulley Idler Flat 3 060	116	532124842	Bolt Shoulder "A" 2.41 "B" 1.66
37	819131316	Washer 13/32 X 13/16 X 16	117	532105455	Wheel Gauge Blk 4.93
39	532146570	Washer M5 Din 125A BN713	118	873930600	Nut Centerlock 3/8-16 UNC
40	873680600	Nut Crownlock 3/8-16 UNC	119	819121414	Washer 3/8 x 7/8 x 14 Ga.
41	532133551	Rod Pivot W/nibs	120	819171512	Washer 17/32 x 15/16 x 12 Ga.
43	532140083	Rod Clutch Secondary W/nibs	121	532143723	Bracket Extruded Gauge Wheel
44	532140088	Guard Mandrel LH Black	--	532144783	Deck Serv 42" HL Mech
45	532124788	Spring Retainer 1" Zinc/cad			(Standard Deck - Order separately,
46	532137729	Screw Hex Thd Cut 1/4-20x5/8 T			noseroller and gauge wheel
47	532145990	Nut Acorn M5 x 0.8			components - Key Nos. 90-95 and
48	532133944	Washer Hardened Smaller			111-121 and CE certification
49	532133940	Roller Asm Cam Follower 42"dec			components Kit No. EC42)
50	532131340	Bolt Shldr 10-24 Zinc Gr 5 42"	--	532130794	Mandrel Asm Service (includes Key
51	532069180	Nut Lock #10-24 Unc			Nos. 8-10, 12-15, 31 and 33)
52	532139888	Bolt Shoulder 5/16-18 Unc Blkz			
53	532131845	Arm Asm Pad Brake			
54	532133943	Washer Hardened			

NOTE: All component dimensions given in U.S. inches
1 inch = 25.4 mm

REPAIR PARTS

TRACTOR -- MODEL NO. BL1642LTDHA, PRODUCT NO. 954 00 26-11
MOWER LIFT

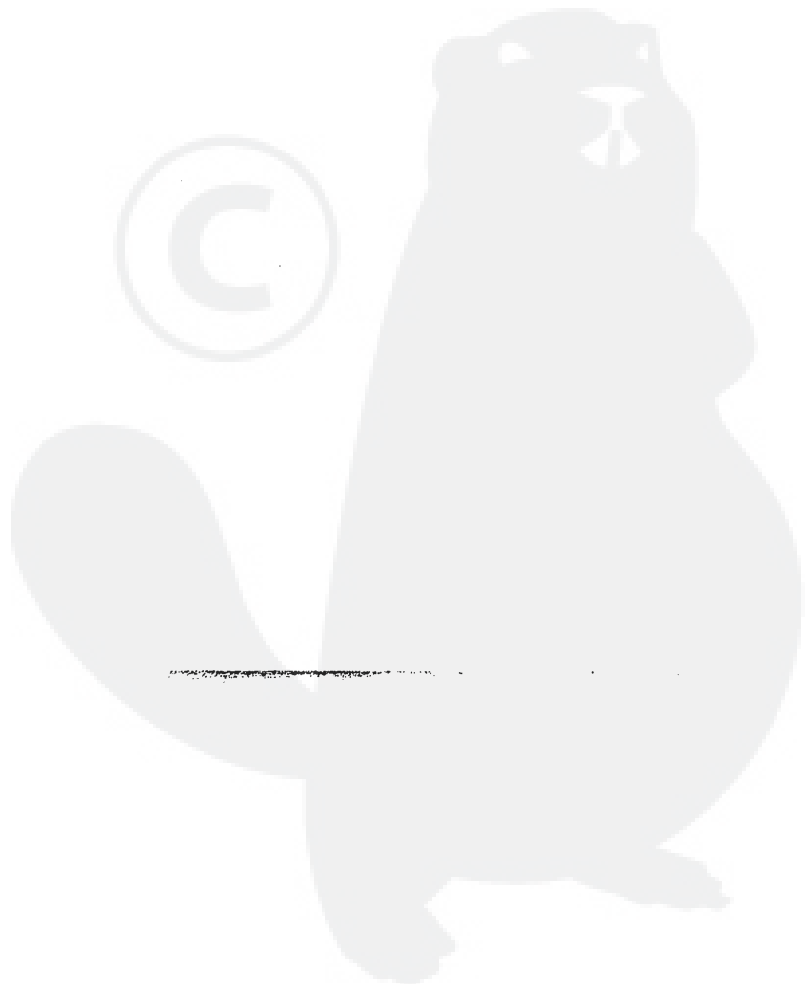
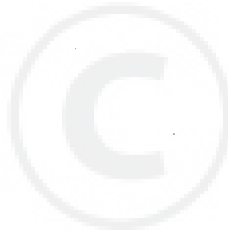


REPAIR PARTS

TRACTOR -- MODEL NO. BL1642LTDHA, PRODUCT NO. 954 00 26-11
MOWER LIFT

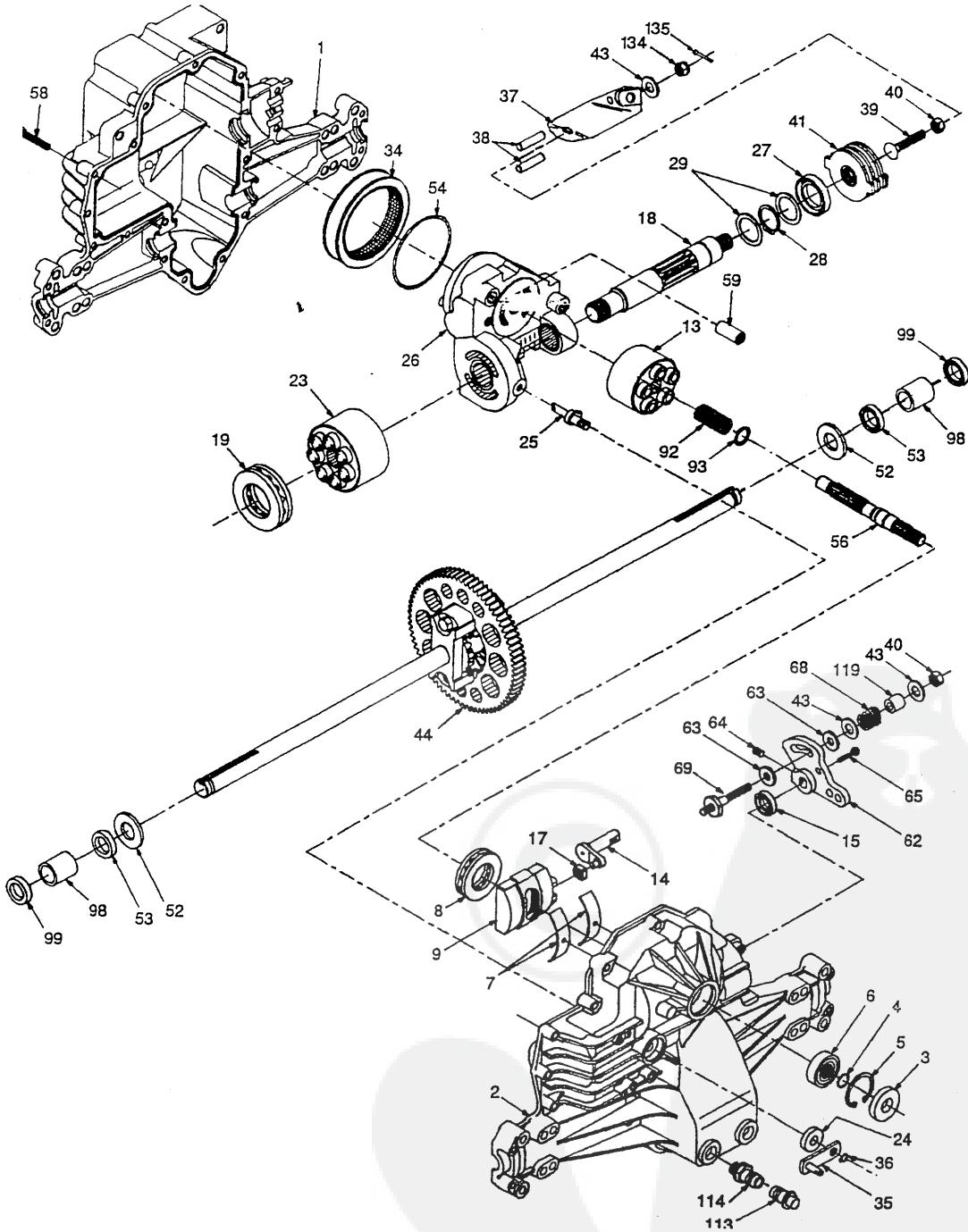
KEY NO.	PART NO.	DESCRIPTION
1	532136973	Wire Asm Inner W/plunger 17 32
2	532122507	Shaft Asm Lift 9 680
3	532105767	Pin Groove 1 500 Zinc
4	812000002	E Ring #5133-62
5	819211621	Washer PLTD 21/32 X 1 X 21ga
6	532120183	Bearing Nylon Blk 629 Id
7	532109413	Grip Handle Bicycle Matte Blk
8	532124526	Button Plunger Black
10	532122512	Spring Cprsn 3 750 Oiled
11	532139865	Link Lift LH
12	532139866	Link Lift RH
13	532124670	Retainer Spring
15	532127218	Link Front
16	873350800	Nut Jam Hex 1/2-13 Unc
17	532130171	Trunnion Blk Zinc
18	873800800	Nut Lock W/wsh 1/2-13unc
19	532139868	Arm Suspension Rear
20	532124660	Spring, Retainer
31	532140302	Bearing Pvt. Lift Spherical
32	873810600	Nut Nylock 3/8-24

NOTE: All component dimensions given in U.S. inches
1 inch = 25.4 mm



REPAIR PARTS

TRACTOR - - MODEL NO. BL1642LTDHA, PRODUCT NO. 954 00 26-11
HYDRO GEAR TRANSAXLE - MODEL NUMBER 310-0500

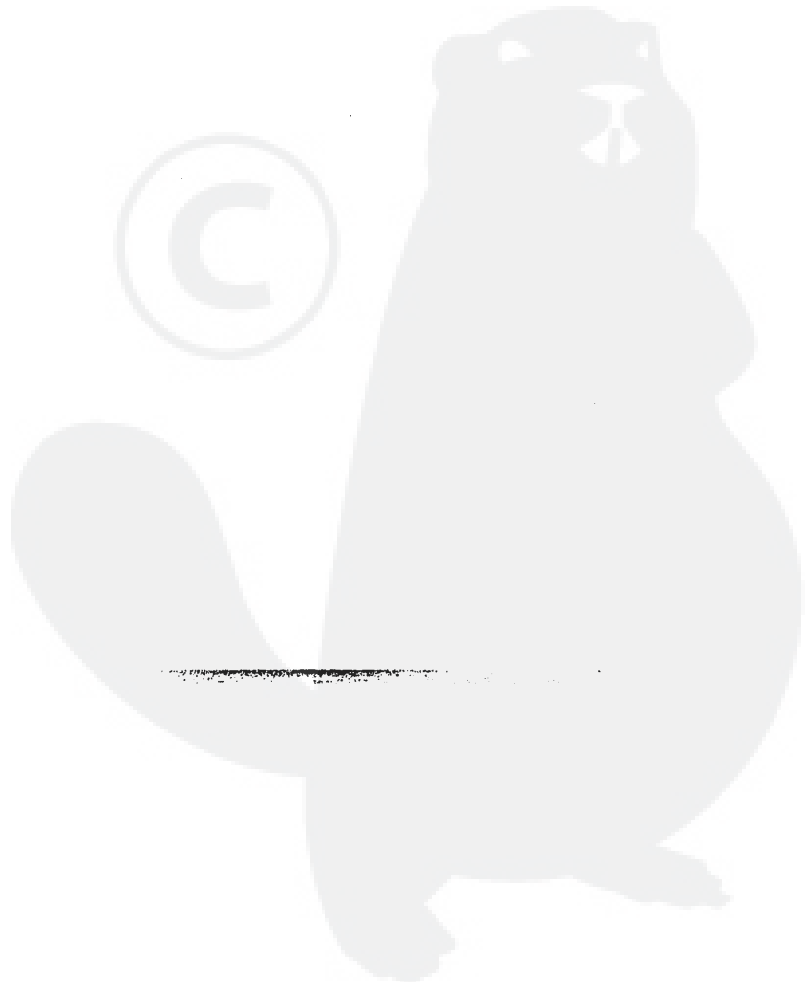


REPAIR PARTS

TRACTOR - - MODEL NO. BL1642LTDHA, PRODUCT NO. 954 00 26-11
HYDRO GEAR TRANSAXLE - MODEL NUMBER 310-0500

KEY PART NO. NO.	DESCRIPTION	KEY PART NO. NO.	DESCRIPTION
1	532142986 Housing, Lower	40	532142957 Locknut, Hex 5/16-24 UNJC
2	532142987 Assembly, Upper Housing	41	532142958 Brake Rotor/Stator Kit
3	532142932 Seal, Lip	43	532142884 Washer 7/16 x 7/8 x .060
4	532142928 Ring, Wire Retaining	44	532142990 Differential Assembly
5	532142933 Ring, Retaining	52	532142991 Washer 3/4 x 1.5 x .13
6	532142934 Bearing, Shaft Ball	53	532142961 Seal .75 x 1.25 x .250
7	532142935 Bearing, Cradle	54	532142962 O-Ring .103 x 2.987 ID
8	532142936 Bearing, Thrust 30 x 52 x 13	56	532142963 Shaft, Input
9	532142937 Swashplate, Variable	58	532142964 Bolt 1/4-20 x 1.38
13	532142938 Block, Cylinder Assembly	59	532142965 Pin .5 OD x .43 ID x .750
14	532142939 Arm, Trunnion	62	532142966 Arm, Control
15	532142940 Seal, Lip	63	532142967 Puck, Dampener
17	532142941 Guide, Slot	64	532142920 Set Screw
18	532142988 Shaft, Motor	65	532142968 Bolt #8-32 x .875
19	532142943 Bearing, Thrust 42 x 68 x 16	68	532142969 Spring
23	532142944 Block, Cylinder Assembly	69	532144610 Stud 5/16-24
24	532142945 Seal, Lip 10 x 25 x 7	92	532142977 Spring, Block
25	532142946 Actuator, Bypass	93	532142978 Washer, Block Thrust
26	532142947 Center Section Assembly Kit	98	532142993 Sleeve Bearing
27	532142948 Seal, Lip 26 x 42 x 8	99	532142976 Seal, Wiper
28	532142949 Ring, Retaining	113	532142917 Cap, Vent Assembly
29	532142950 Washer 26 x 35 x 1	114	532142918 Fitting, O-Ring Assembly
34	532142951 Oil Filter Element	119	532142980 Spacer
35	532142952 Arm, Bypass	134	532144607 Nut, Castle 5/16-24
36	532142953 Ring, Retaining	135	532144608 Pin, Cotter
37	532142954 Arm, Actuating		
38	532142955 Pin, Actuating		
39	532142956 Bolt 5/16-24 x 1-3/4		

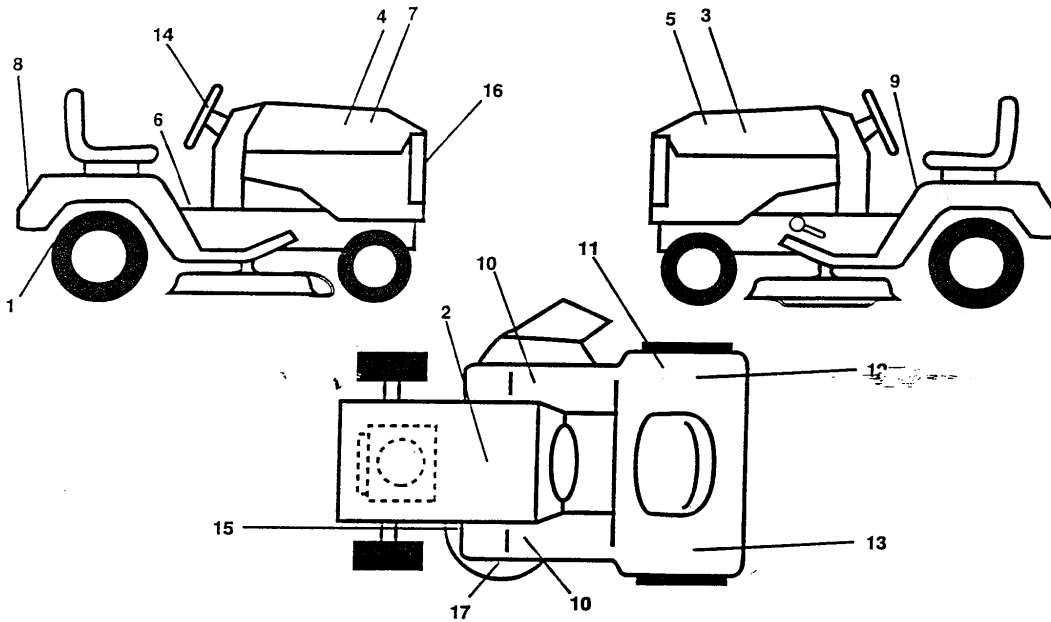
NOTE: All component dimensions given in U.S. inches
1 inch = 25.4 mm



REPAIR PARTS

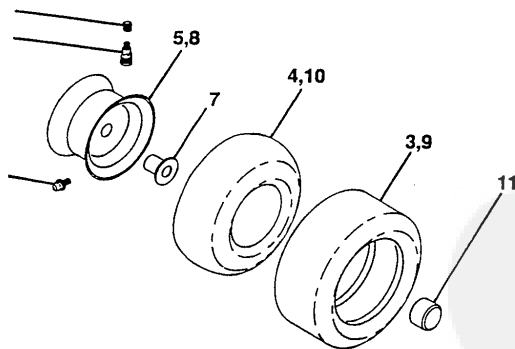
TRACTOR -- MODEL NO. BL1642LTDHA, PRODUCT NO. 954 00 26-11

DECALS



KEY NO.	PART NO.	DESCRIPTION	KEY NO.	PART NO.	DESCRIPTION
1	532142341	Decal Drawbar Cntrl Mvt Hyd Lt	11	532145437	Decal Europe Stand CE
2	532121549	Decal Caution Battery Fr/ger	12	532125690	Decal100 Db
3	532125934	Decal Hood LH Bernard	13	532146287	Decal Conformance
4	532125935	Decal Hood RH Bernard	14	532125835	Decal Strg Wheel Cap Berd/lois
5	532146286	Decal Side Panel LH	15	532136832	Decal V-Belt Schematic
6	532140837	Decal Brake Parking Saddle	16	532131265	Decal Lightbox Grille Sloped
7	532146285	Decal Side Panel RH	17	532135013	Decal Enviro Deck Yellow
8	532125819	Decal Fender Bernard	--	532146037	Manual Instr Asm
9	532145498	Decal Read Owners Manual Syms	--	532138311	Decal Handle Lft Height Adjust
0	532108256	Pad Footrest Rbr Sq Generic	--	532146157	Manual Operators

WHEELS & TIRES

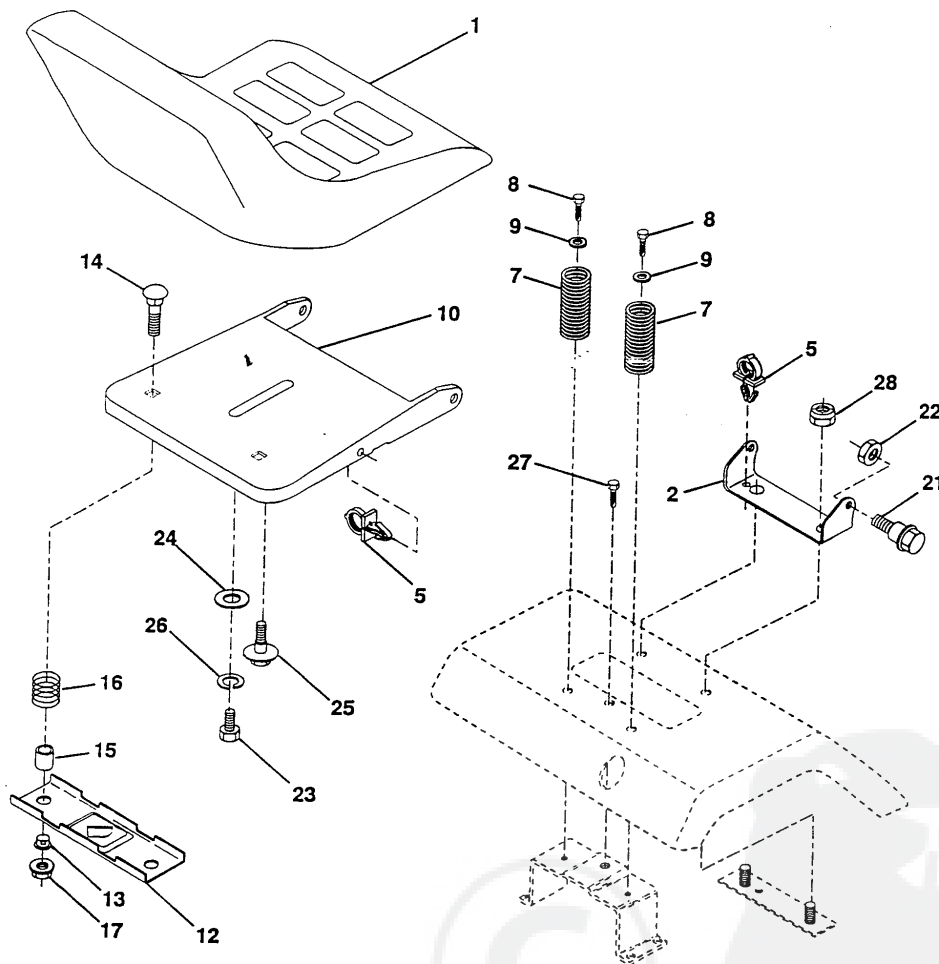


KEY NO.	PART NO.	DESCRIPTION
1	532059192	Cap Valve Tire
2	532065139	Stem Valve
3	532106222	Tire F Ts 15 X 6 0 - 6 Service
4	532059904	Tube Front (Service Item Only)
5	532125121	Rim Asm 6"front Yellow Service
6	532124957	Fitting Grease (Front Wheel Only)
7	532124959	Bearing Flange (Front Wheel Only)
8	532125122	Rim Asm 8"rear Yellow Service
9	532106268	Tire R Ts 18x9 5-8 C Service
10	532124926	Tube Rear (Service Item Only)
11	532104757	Cap Axle Blk 1 50 X 1 00

NOTE: All component dimensions given in U.S. inches
1 inch = 25.4 mm

REPAIR PARTS

TRACTOR -- MODEL NO. BL1642LTDHA, PRODUCT NO. 954 00 26-11
SEAT ASSEMBLY



KEY NO.	PART NO.	DESCRIPTION
1	532127427	Seat V350 Blk/blk Std
2	532140551	Bracket Pivot Seat
3	532145006	Clip Push-In Hinged
4	532124181	Spring Seat Cprsn 2 250 Blk Zi
5	817490508	Screw Thdrol 5/16-18 X 1/2 Ty-t
6	819131614	Washer 13/32 X 1 X 14 Ga
7	532140552	Pan Seat
8	532121246	Bracket Mounting Switch
9	532121248	Bushing Snap Blk Nyl 50 Id
10	872050411	Bolt Rdhd Sht Nk 1/4-20x1-3/8
11	532134300	Spacer Split 28x 96 Yel Zinc

KEY NO.	PART NO.	DESCRIPTION
16	532121250	Spring Cprsn 1 27 Blk Pnt
17	532123976	Nut Lock 1/4 Lge Fig Gr 5 Zinc
21	532139888	Bolt Shoulder 5/16-18
22	873800500	Locknut 5/16-18
23	874780814	Bolt Fin Hex 1/2-13 x 7/8 Gr. 5
24	819171912	Washer 17/32 X 1-3/16 X 12 Ga
25	532127018	Bolt Shoulder 5/16-18 X 62
26	810040800	Washer Lock Hvy Hlcl Spr 1/2
28	873680600	Nut Crownlock 3/18-16 UNC

NOTE: All component dimensions given in U.S. inches.
1 inch = 25.4 mm.