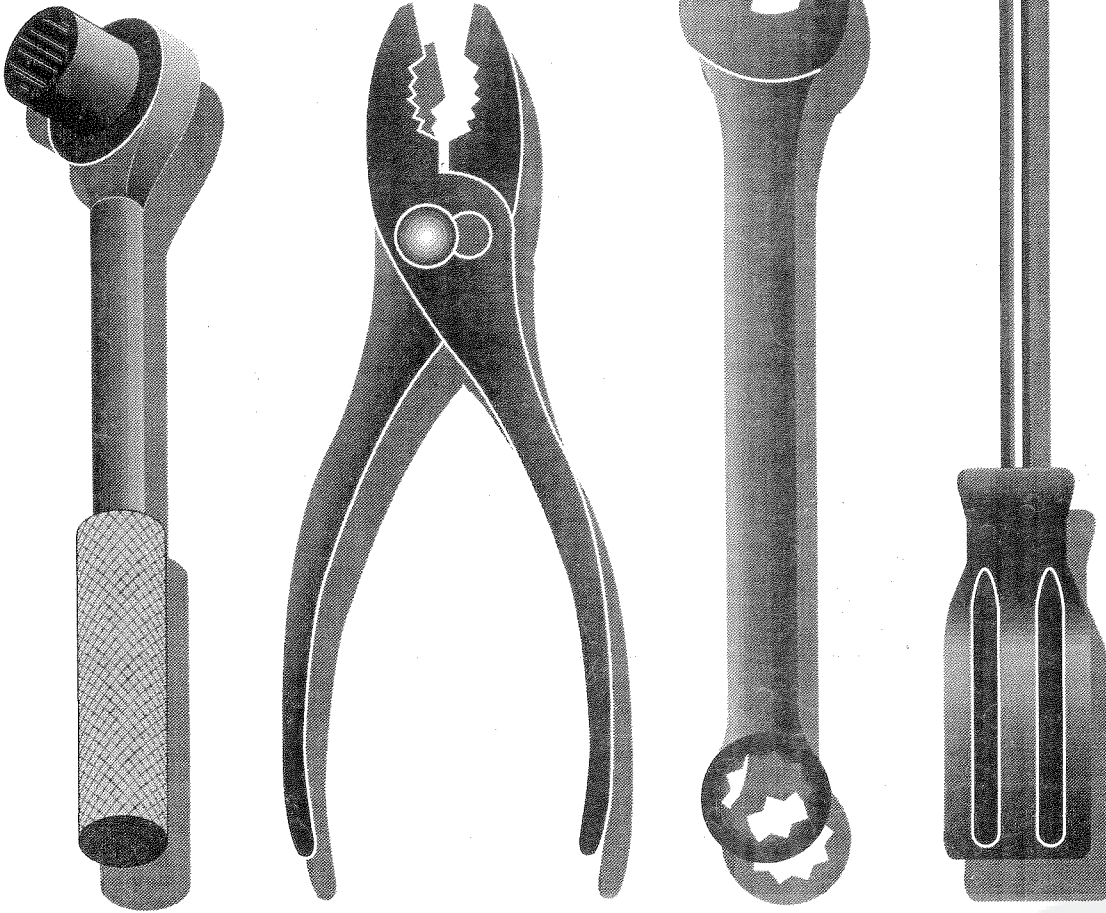


"1995"



REPAIR PARTS MANUAL
MODEL NO. GP10S36A
Lawn Tractor

ORIGINAL FILE COPY



HOW TO USE THIS MANUAL

This manual is designed to provide the customer with a means to identify the parts on his/her tractor when ordering repair parts. The illustrations may or may not represent the actual assemblies; therefore, it is not recommended to use this manual as a guide to assemble or disassemble the tractor. Some hardware and parts are drawn larger in order to more readily identify them.

Each tractor has its own model number.

The model number for your tractor can be found on the fender under the seat.

When ordering parts, always give the following information:

- Product - "Lawn Tractor"
- Model Number - "GP10S36A"
- Part Number
- Part Description

TABLE OF CONTENTS

| | |
|--------------------------------------|-----------|
| BAGGER | 24-25 |
| BRAKE/REAR MOWER LIFT ASSEMBLY | 14-15 |
| DASH | 10 |
| DECALS | 6 |
| ENGINE/THROTTLE | 16 |
| ELECTRICAL | 4-5 |
| FENDER/CHASSIS | 7 |
| FRONT AXLE | 11 |
| GROUND DRIVE | 17 |
| HOOD | 8 |
| MOWER LIFT LEVER..... | 20 |
| MOWER DECK | 18-19 |
| SEAT | 9 |
| SECTOR GEAR/AXLE SUPPORT | 13 |
| STEERING WHEEL | 12 |
| TRANSAXLE | 21, 22-23 |

LIMITED WARRANTY

The Manufacturer warrants to the original consumer purchaser that this product as manufactured is free from defects in materials and workmanship. For a period of one (1) year from date of purchase by the original consumer purchaser, we will repair or replace, at our option, without charge for parts or labor incurred in replacing parts, any part which we find to be defective due to materials or workmanship. This Warranty is subject to the following limitations and exclusions.

1. This warranty does not apply to the engine, transaxle/transmission components, battery (except as noted below) or components parts thereof. Please refer to the applicable manufacturer's warranty on these items.
 2. Transportation charges for the movement of any power equipment unit or attachment are the responsibility of the purchaser. Transportation charges for any parts submitted for replacement under this warranty must be paid by the purchaser unless such return is requested by American Yard Products, Inc.
 3. Battery Warranty: On products equipped with a Battery, we will replace, without charge to you, any battery which we find to be defective in manufacture, during the first ninety (90) days of ownership. After ninety (90) days, we will exchange the Battery, charging you 1/12 of the price of a new Battery for each full month from the date of the original sale. Battery must be maintained in accordance with the instructions furnished.
 4. The Warranty period for any products used for rental or commercial purposes is limited to 90 days from the date of original purchase.
 5. This Warranty applies only to products which have been properly assembled, adjusted, operated, and maintained in accordance with the instructions furnished. This Warranty does not apply to any product which has been subjected to alteration, misuse, abuse, improper assembly or installation, delivery damage, or to normal wear of the product.
 6. Exclusions: Excluded from this Warranty are belts, blades, blade adapters, normal wear, normal adjustments, standard hardware and normal maintenance.
 7. In the event you have a claim under this Warranty, you must return the product to an authorized service dealer.
- Should you have any unanswered questions concerning this Warranty, please contact:

American Yard Products, Inc.
Service Department
P.O. Box 1687
Orangeburg, SC 29116 USA

In Canada contact:
AYP Canada, Inc.
1040 Jayson Court
Mississauga, Ontario
L4W 2V5

giving the model number, serial number and date of purchase of your product and the name and address of the authorized dealer from whom it was purchased.

THIS WARRANTY DOES NOT APPLY TO INCIDENTAL OR CONSEQUENTIAL DAMAGES AND ANY IMPLIED WARRANTIES ARE LIMITED TO THE SAME TIME PERIODS STATED HEREIN FOR OUR EXPRESSED WARRANTIES. Some areas do not allow the limitation of consequential damages or limitations of how long an implied Warranty may last, so the above limitations or exclusions may not apply to you. This Warranty gives you specific legal rights, and you may have other rights which vary from locale to locale.

This is a limited Warranty within the meaning of that term as defined in the Magnuson-Moss Act of 1975.

LIMITED WARRANTY DANA CORPORATION Spicer-Off-Highway Axle Division Fredericktown, OH 43019

Dana Corporation, Spicer-Off-Highway Axle Division, will at its options, replace or repair without charge to the original purchaser for materials or labor, any part or parts manufactured by it and found upon examination to be DEFECTIVE IN MATERIAL AND OR WORKMANSHIP, if received for examination within TWO YEARS* from the date of original purchase.

All transportation charges on and damage or loss incurred in connection with the transportation of parts submitted for replacement or repair under this LIMITED WARRANTY shall be borne by the purchaser.

The EXPRESSED WARRANTY contained herein shall not apply to any damage resulting from accident, abuse, or neglect. Nor will this LIMITED WARRANTY apply to damage resulting from failure to follow the manufacturer's instructions for operation and maintenance nor from improper selection of a particular application.

The foregoing EXPRESSED WARRANTY IS IN LIEU OF ALL OTHER EXPRESSED WARRANTIES. Dana Corporation, Spicer-Off-Highway Axle Division, neither assumes nor authorizes any other persons, natural or corporate, to assume for it any obligations or liability in connection with or with respect to any parts covered hereunder.

DANA CORPORATION, SPICER-OFF-HIGHWAY AXLE DIVISION, HEREBY DISCLAIMS ANY AND ALL IMPLIED WARRANTIES, INCLUDING, BUT NOT LIMITED TO WARRANTIES OF MERCHANTABILITY AND FITNESS FOR ANY PARTICULAR PURPOSE, TO THE EXTENT THAT SUCH DISCLAIMER IS NOT FORBIDDEN BY ANY APPLICABLE LAW. ANY IMPLIED WARRANTIES, INCLUDING BUT NOT LIMITED TO WARRANTIES OF MERCHANTABILITY AND FITNESS FOR ANY PARTICULAR PURPOSE WHICH DANA CORPORATION, SPICER-OFF-HIGHWAY AXLE DIVISION, IS SO FORBIDDEN TO DISCLAIM BY ANY APPLICABLE LAW, ARE LIMITED TO THE PERIODS OF THE EXPRESSED WARRANTY. DANA CORPORATION, SPICER-OFF-HIGHWAY AXLE DIVISION, SHALL IN NO EVENT BE LIABLE FOR ANY CONSEQUENTIAL, INCIDENTAL OR SPECIAL DAMAGES AND OR EXPENSES.

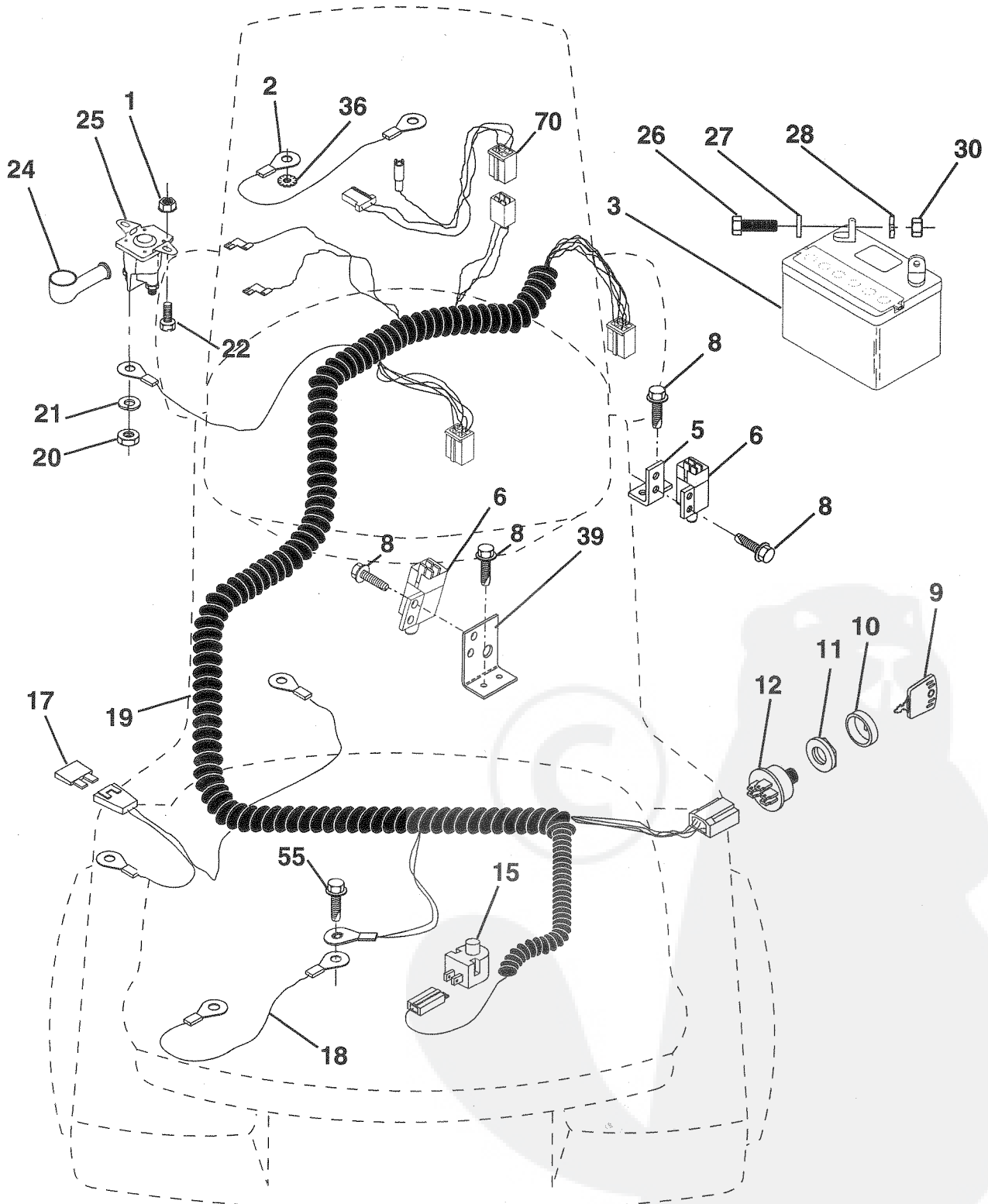
Some states do not allow limitations on warranties so the above limitation may not apply to you. This Warranty gives you specific legal rights, and you may also have other rights which vary from state to state.

This warranty does not cover transmission units used for commercial purposes.

REPAIR PARTS

TRACTOR - - MODEL NUMBER GP10S36A

ELECTRICAL



REPAIR PARTS

TRACTOR - - MODEL NUMBER GP10S36A

ELECTRICAL

| KEY NO. | PART NO. | DESCRIPTION |
|---------|----------|---|
| 1 | 73640400 | Nut, Hex, Keps. 1/4-20 UNC |
| 2 | 108423X | Assembly, Cable |
| 3 | 144924 | Battery |
| 5 | 108236X | Bracket, Switch |
| 6 | 109553X | Switch, Interlock 4 Terminal |
| 8 | 17021008 | Screw, Hex Head, Tapping #10-24 x 1/2 |
| 9 | 140402 | Key, Molded |
| 10 | 141226 | Cover, Ignition Key |
| 11 | 140400 | Nut, Ignition |
| 12 | 144921 | Switch, Ignition |
| 15 | 121305X | Switch, Plunger |
| 17 | 108824X | Fuse |
| 18 | 128353 | Assembly, Cable |
| 19 | 146063 | Harness, Ignition |
| 20 | 73350400 | Nut, Hex, Jam 1/4-20 |
| 21 | 10090400 | Washer, Lock 1/4 |
| 22 | 71110408 | Bolt, Hex, Fin. 1/4-20 UNC x 1/2 Grade 5 |
| 24 | 131563 | Cover, Terminal |
| 25 | 145673 | Solenoid |
| 26 | 74760412 | Bolt, Hex Head 1/4-20 UNC x 3/4 |
| 27 | 19091016 | Washer 9/32 x 5/8 x 16 |
| 28 | 10040400 | Washer, Lock, Hvy. Hel. Spring 1/4 |
| 30 | 73220400 | Nut, Hex, Fin. 1/4-20 |
| 36 | 11150400 | Washer Lock Internal Tooth 1/4 |
| 39 | 141735 | Bracket Switch Clutch |
| 55 | 17490508 | Screw Thdrol 5/16-18 X 1/2 |
| 70 | 140413 | Harness, Engine |

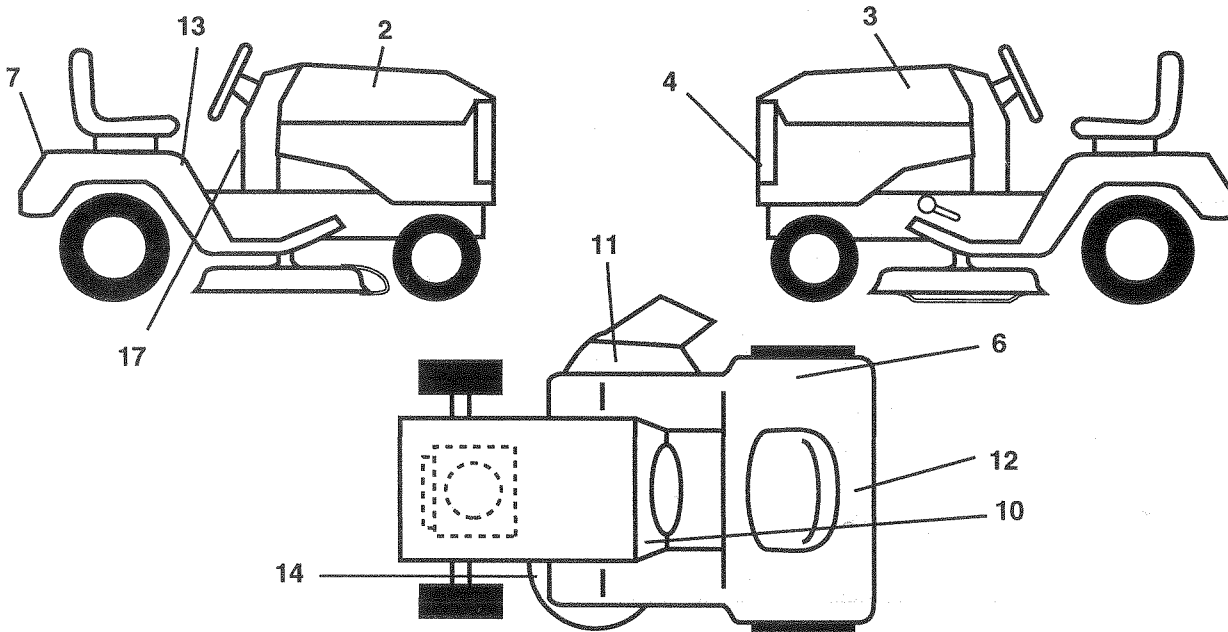
NOTE: All component dimensions given in U.S. inches.
1 inch = 25.4 mm

HARDWARE SHOWN LARGER FOR EASIER IDENTIFICATION

REPAIR PARTS

TRACTOR -- MODEL NUMBER GP10S36A

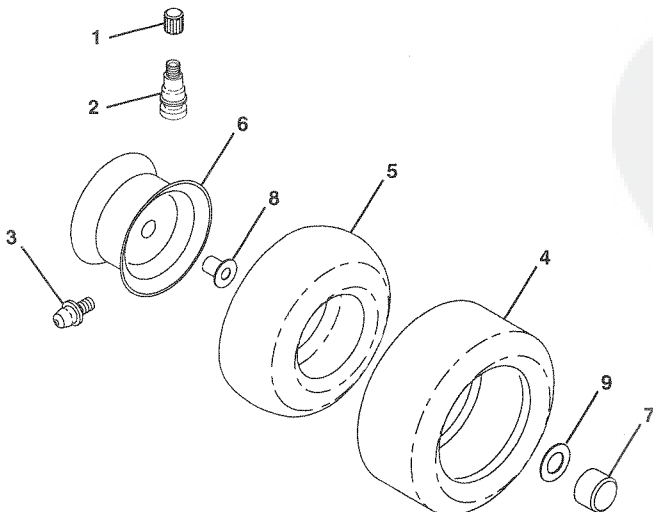
DECALS



| KEY NO. | PART NO. | DESCRIPTION |
|---------|----------|---------------------------------|
| 2 | 142372 | Decal, Stripe, Hood, R.H. |
| 3 | 142373 | Decal, Stripe, Hood, L.H. |
| 4 | 136277 | Decal, Grill |
| 6 | 125690X | Decal 100 DBA |
| 7 | 136278 | Decal, Logo, Fender |
| 10 | 145545 | Decal, Instruction, Oper. Sym. |
| 11 | 145494 | Decal, Warning, Cut Finger Sym. |
| 12 | 145005 | Decal, Battery, Dan/Poi |
| 13 | 145498 | Decal, Read Owners Manual Sym. |

| KEY NO. | PART NO. | DESCRIPTION |
|--|----------|----------------------------------|
| 14 | 136830 | Decal, V-Belt Sch. |
| 17 | 145437 | Decal, Europe Stand Ce |
| -- | 138311 | Decal, Handle Lift (Lift Handle) |
| -- | 147193 | Manual, Operator's (Euro) |
| -- | 147937 | Manual, Parts |
| Available accessories not included with tractor: | | |
| -- | MK36 | Mulch Kit |
| -- | CE36 | Bagger |

WHEELS AND TIRES



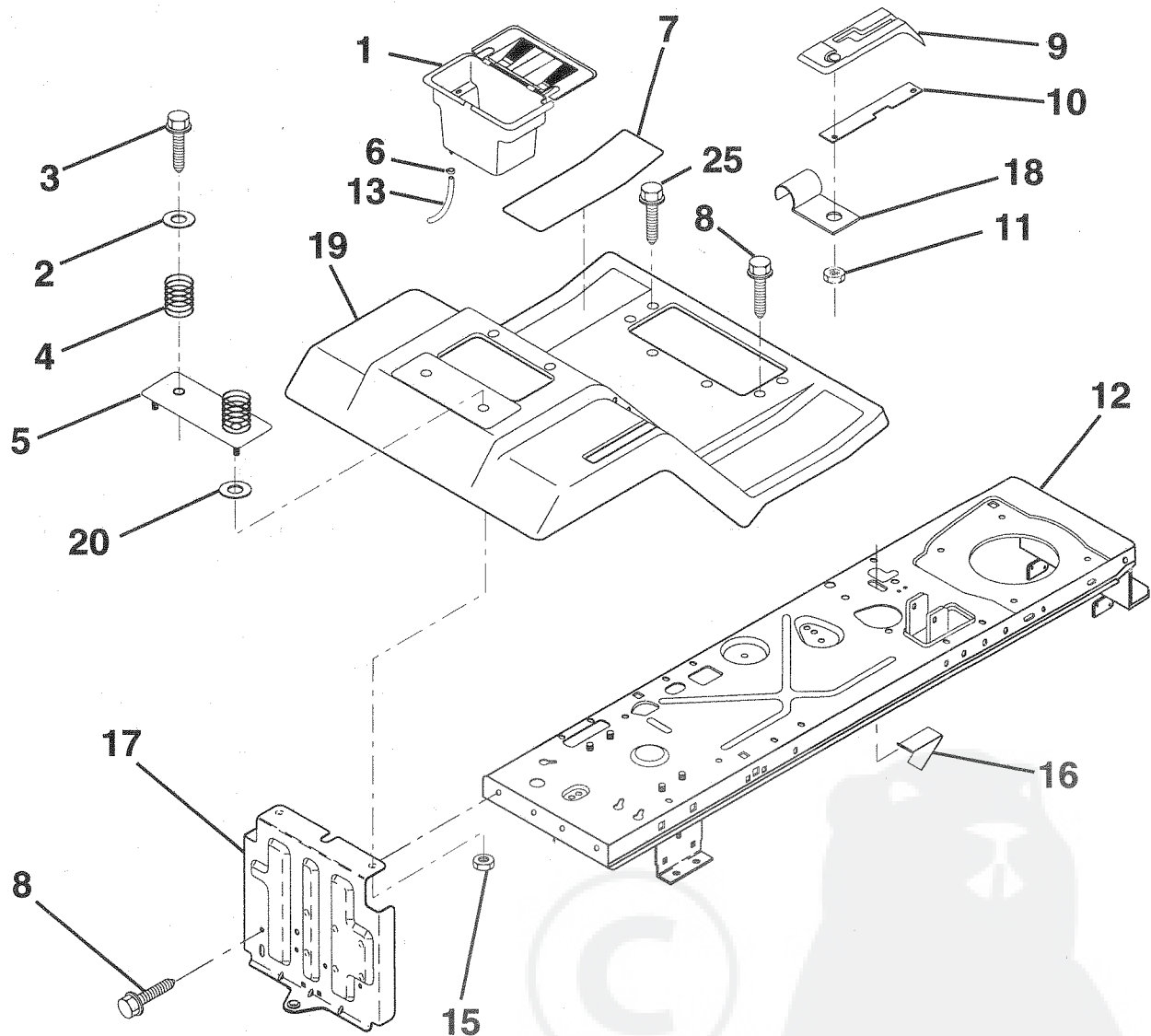
| KEY NO. | PART NO. | DESCRIPTION |
|---------|------------|---------------------------------|
| 1 | 59192 | Cap, Valve, Tire |
| 2 | 65139 | Stem, Valve |
| 3 | 278H | Fitting, Grease |
| 4 | 124142X | Tire, Front |
| | 124143X | Tire, Rear |
| 5 | 59904 | Tube, Front Tire |
| | 8134H | Tube, Rear Tire |
| | | (Optional, Service Item Only) |
| 6 | 122394X427 | Rim Assembly, Front |
| | 140325X427 | Rim Assembly, Rear |
| 7 | 104757X | Cap Axle |
| 8 | 9040H | Bearing, Flange |
| 9 | 121748X | Washer 25/32 x 1-5/8 x 16 Gauge |
| -- | 144334 | Sealant, Tire (10 oz. Tube) |

NOTE: All component dimensions given in U.S. inches
1 inch = 25.4 mm.

REPAIR PARTS

TRACTOR -- MODEL NUMBER GP10S36A

FENDER / CHASSIS



| KEY NO. | PART NO. | DESCRIPTION |
|---------|------------|------------------------------|
| 1 | 129965 | Case Battery Hng Mech w/Lid |
| 2 | 19132012 | Washer 13/32 x 1 1/4 x 12 Ga |
| 3 | 17490612 | Screw Thdrol 3/8-16 x 3/4 |
| 4 | 124181X | Spring Seat |
| 5 | 127115X550 | Plate Asm Battery |
| 6 | 109596X | Clamp Hose |
| 7 | 124144X | Pad Footrest |
| 8 | 17490512 | Screw Thdrol 5/16-18 x 3/4 |

| KEY NO. | PART NO. | DESCRIPTION |
|---------|------------|---------------------------|
| 12 | 145190 | Chassis Asm |
| 13 | 109238X | Tube Plastic |
| 15 | 73640400 | Nut Hex 1/4-20 |
| 16 | 141736 | Switch Actuator |
| 17 | 140782 | Drawbar |
| 18 | 126470X | Clip Insulated |
| 19 | 140955X550 | Fender/Footrest |
| 20 | 19091413 | Washer 9/32 x 7/8 x 13 Ga |
| 25 | 17190516 | Screw Thdrol 5/16-18 x 1 |

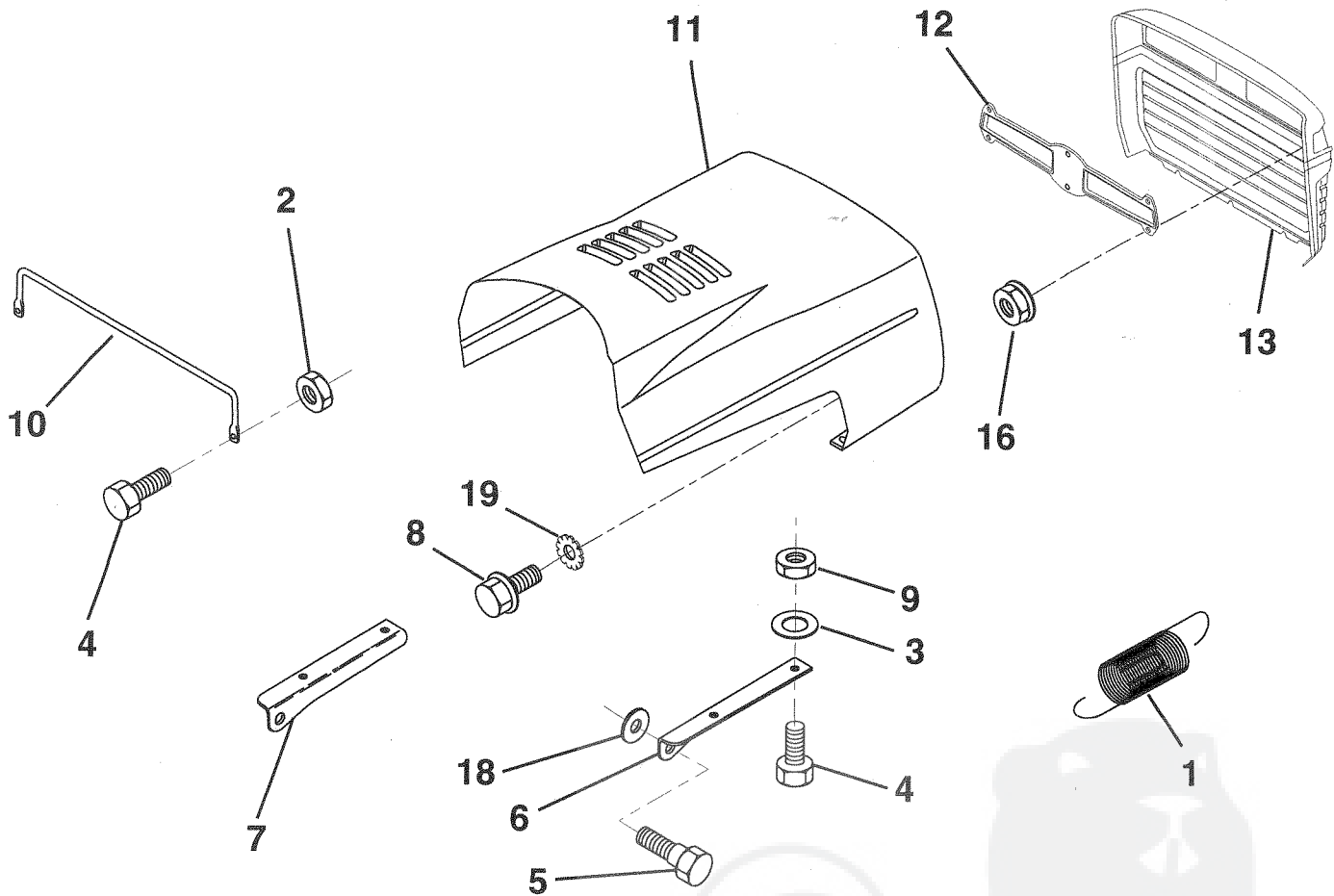
NOTE: All component dimensions given in U. S. inches
1 inch = 25.4 mm

HARDWARE SHOWN LARGER FOR EASIER IDENTIFICATION

REPAIR PARTS

TRACTOR -- MODEL NUMBER GP10S36A

HOOD



| KEY NO. | PART NO. | DESCRIPTION |
|---------|----------|-------------------------------|
| 1 | 124657X | Spring |
| 2 | 73640400 | Nut 1/4-20 |
| 3 | 19091416 | Washer 9/32 x 7/8 x 16 Ga. |
| 4 | 74780412 | Bolt Fin Hex 1/4-20 x .75 |
| 5 | 139888 | Bolt Shoulder 5/16-18 |
| 6 | 122549X | Bracket Hood RH |
| 7 | 122548X | Bracket Hood LH |
| 8 | 17521312 | Screw Sltd Hex Hd w/Pl Washer |
| 9 | 73800400 | Nut Lock w/insert 1/4 - 20 |

| KEY NO. | PART NO. | DESCRIPTION |
|---------|------------|-------------------------------|
| 10 | 123693X | Brace Hood |
| 11 | 132918X550 | Hood |
| 12 | 127178 | Lens Clear Bar |
| 13 | 134232X550 | Grille |
| 16 | 124346X | Nut Self-Thd. Wsh-Hd. 1/4 |
| 18 | 19111116 | Washer 11/32 x 11/16 x 16 Ga |
| 19 | 11030400 | Washer Lock 1/4 Int/Ext Tooth |

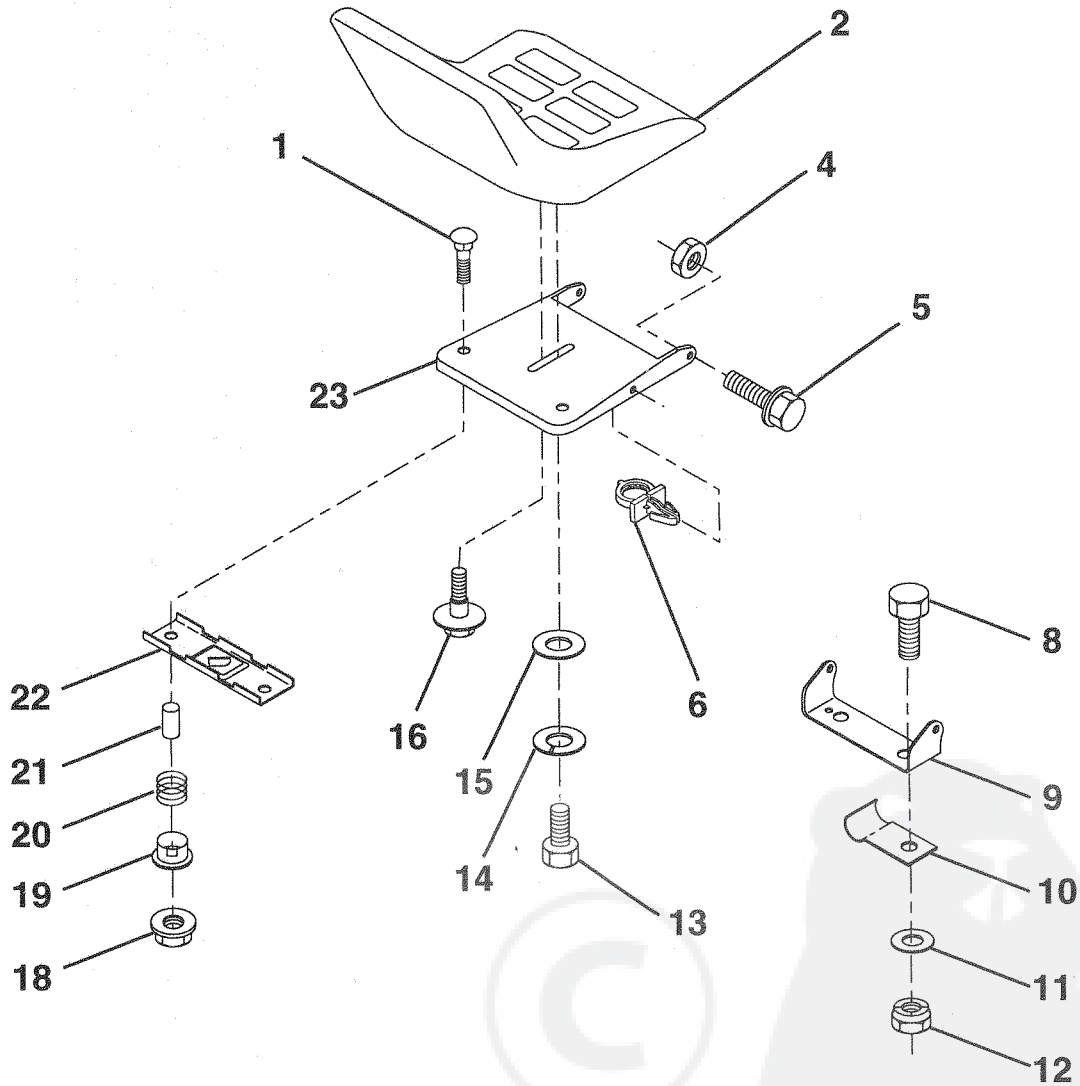
NOTE: All component dimensions given in U.S. inches.
1 inch = 25.4 mm

HARDWARE SHOWN LARGER FOR EASIER IDENTIFICATION

REPAIR PARTS

TRACTOR -- MODEL NUMBER GP10S36A

SEAT



| KEY NO. | PART NO. | DESCRIPTION | KEY NO. | PART NO. | DESCRIPTION |
|---------|----------|--------------------------------------|---------|----------|------------------------------------|
| 1 | 72050411 | Bolt, Carriage 1/4-20 x 1-3/8 | 14 | 10040800 | Washer, Lock, Heavy Helical Spring |
| 2 | 134647 | Seat | 15 | 19171912 | Washer 17/32 x 13/16 x 12 Ga. |
| 4 | 73800500 | Nut, Crownlock 5/16-18 | 16 | 127018X | Bolt, Shoulder |
| 5 | 139888 | Bolt Shld. 5/16-18 | 18 | 123976X | Nut, Hex, Large, Flangelock |
| 6 | 145006 | Clip, Push-In | 19 | 121248X | Bushing, Snap |
| 8 | 74760616 | Bolt, Hex, Fin. 3/8-16 UNC x 1 | 20 | 121250X | Spring, Cprsn. Plate Sw. |
| 9 | 140551 | Bracket, Pivot, Seat | 21 | 134300 | Spacer, Split |
| 10 | 126471X | Clip Insulated | 22 | 121246X | Bracket, Switch Mounting |
| 11 | 19133210 | Washer 13/32 x 2 x 10 Gauge | 23 | 140552 | Pan, Seat |
| 12 | 73800600 | Nut, Lock Hex w/Wsh 3/8-16 | | | |
| 13 | 74780814 | Bolt, Hex, Fin 1/2-13 UNC x 7/8 Gr 5 | | | |

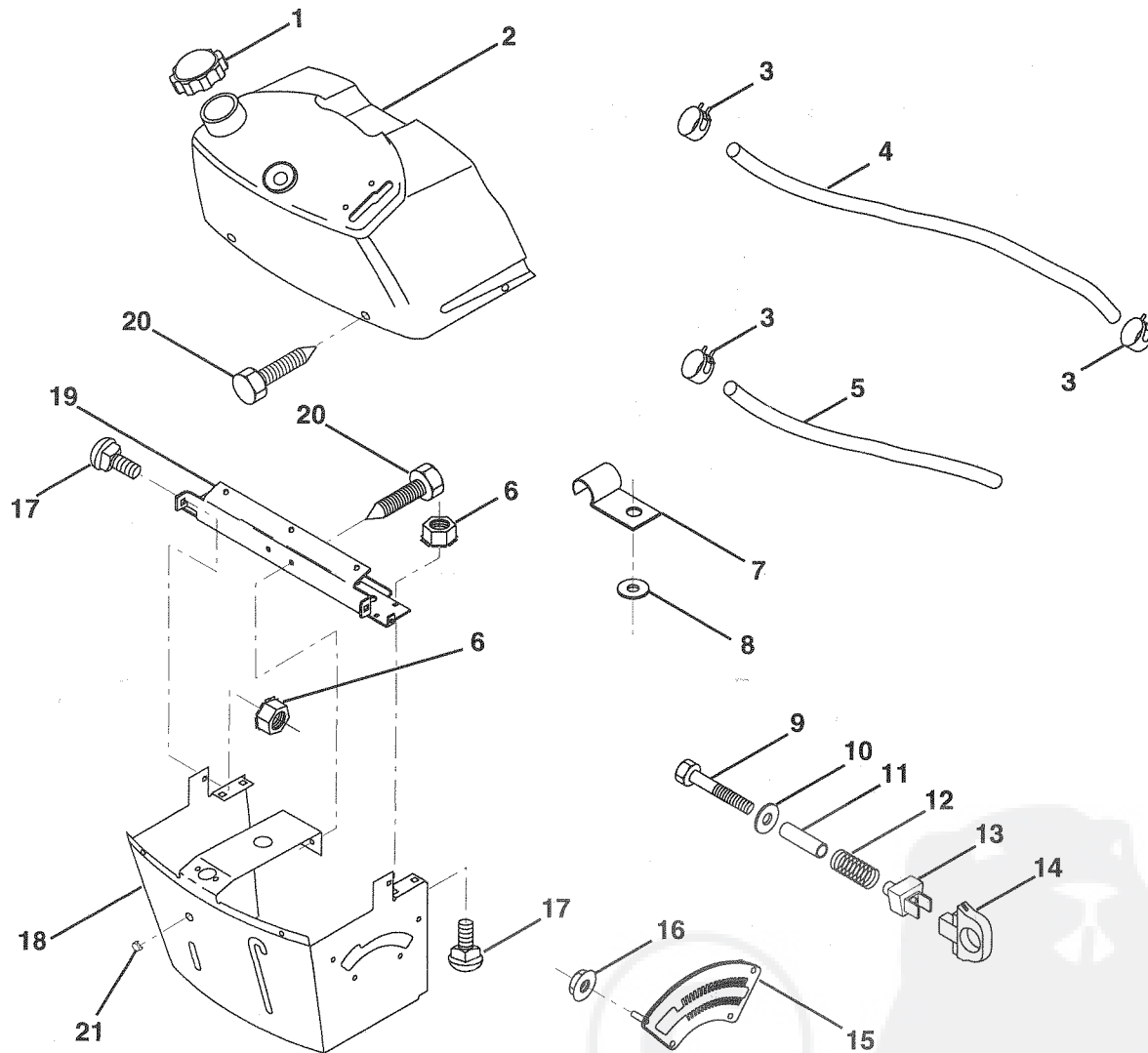
NOTE: All component dimensions given in U. S. inches
1 inch = 25.4 mm

HARDWARE SHOWN LARGER FOR EASIER IDENTIFICATION

REPAIR PARTS

TRACTOR -- MODEL NUMBER GP10S36A

DASH



| KEY NO. | PART NO. | DESCRIPTION |
|---------|----------|--------------------------------|
| 1 | 141523 | Cap, Fuel |
| 2 | 138393 | Assembly, Dash & Fuel Tank |
| 3 | 123487X | Clamp, Hose |
| 4 | 8544R | Line, Fuel |
| 5 | 8548R | Line, Fuel |
| 6 | 73640400 | Nut, Hex, Keps 1/4-20 |
| 7 | 2751R | Clip, Fuel Line |
| 8 | 19091216 | Washer 9/32 x 3/4 x 16 Ga. |
| 9 | 74760428 | Bolt, Hex, Fin. 1/4-20 x 1-3/4 |
| 10 | 19091413 | Washer 11/32 x 11/16 x 16 Ga. |
| 11 | 121249X | Spacer, Split |
| 12 | 3720R | Spring |

| KEY NO. | PART NO. | DESCRIPTION |
|---------|----------|-----------------------------------|
| 13 | 126450X | Clip, Height Adjustment |
| 14 | 126115X | Knob, Height Stop |
| 15 | 122023X | Adjustment, Quadrant Height |
| 16 | 124346X | Nut, Self-Threading 3/16-18 |
| 17 | 72110404 | Bolt, Carriage 1/4-20 x 1/2 Gr. 5 |
| 18 | 130745 | Support Assembly, Dash |
| 19 | 134744 | Brace, Cross |
| 20 | 17060408 | Screw, Self-Tapping 1/4-20 x 1/2 |
| 21 | 134014 | Plug, Dome |

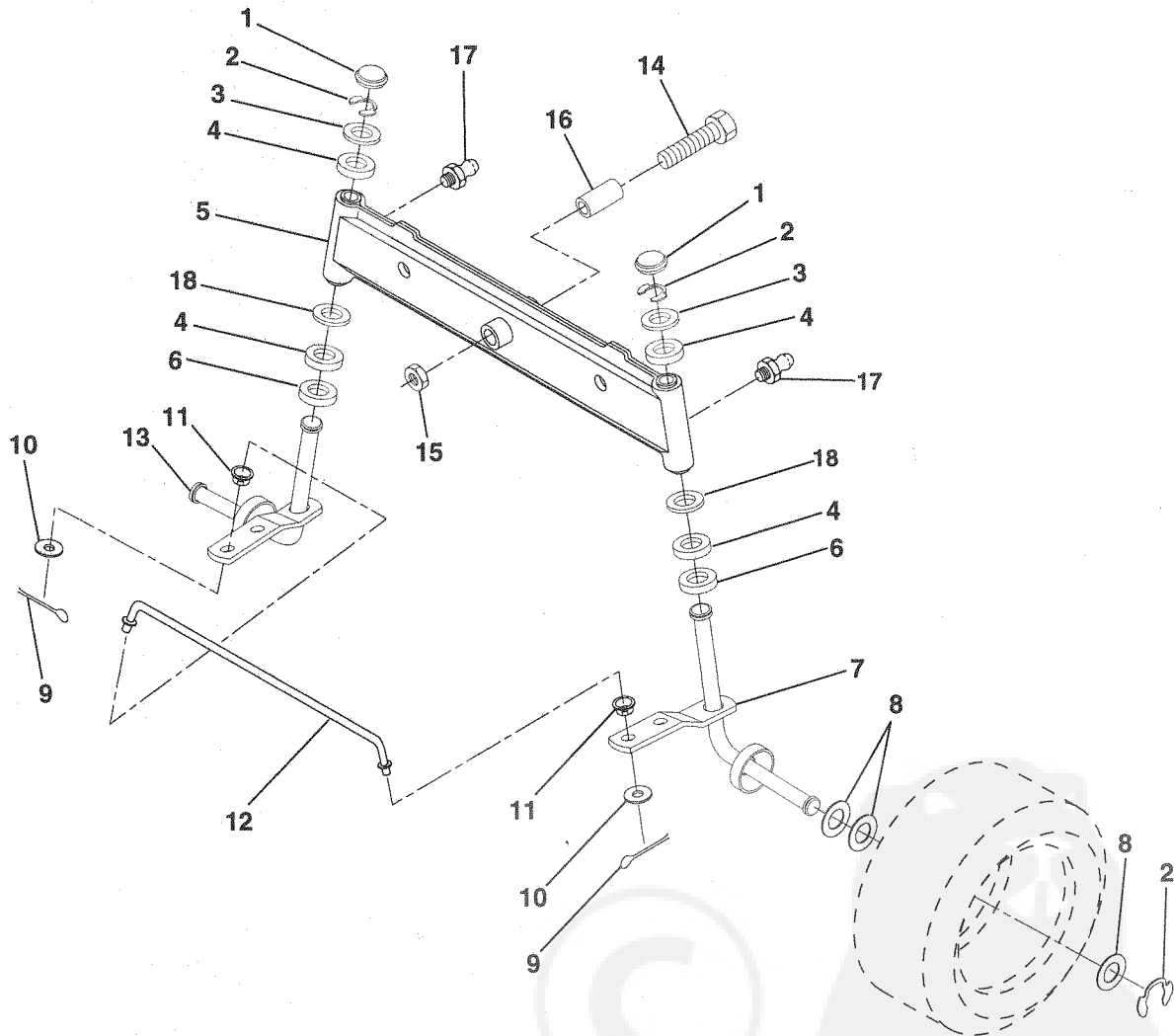
NOTE: All component dimensions given in U. S. inches
1 inch = 25.4 mm

HARDWARE SHOWN LARGER FOR EASIER IDENTIFICATION

REPAIR PARTS

TRACTOR -- MODEL NUMBER GP10S36A

FRONT AXLE



| KEY NO. | PART NO. | DESCRIPTION |
|---------|----------|-------------------------------|
| 1 | 121232X | Cap, Spindle |
| 2 | 1200029 | Ring, Clip |
| 3 | 121748X | Washer 25/32 x 1-5/8 x 16 Ga. |
| 4 | 3366R | Bearing |
| 5 | 142033 | Axle, Front |
| 6 | 6266H | Bearing, Thrust |
| 7 | 137062 | Spindle Assembly, R.H. |
| 8 | 121749X | Washer 25/32 x 1-1/4 x 16 Ga. |
| 9 | 76020412 | Pin, Cotter 1/8 x 3/4 |
| 10 | 19131316 | Washer 13/32 x 13/16 x 16 Ga. |

| KEY NO. | PART NO. | DESCRIPTION |
|---------|----------|-------------------------------|
| 11 | 126847X | Bushing |
| 12 | 130465 | Rod, Tie |
| 13 | 137061 | Spindle Assembly, L.H. |
| 14 | 74011056 | Bolt Hex 5/8-11 X 3-1/2 |
| 15 | 73901000 | Nut, Lock Flange 5/8-11 |
| 16 | 110438X | Spacer, Bearing |
| 17 | 6855M | Fitting, Grease |
| 18 | 19272016 | Washer 27/32 X 1-1/4 X 16 Ga. |

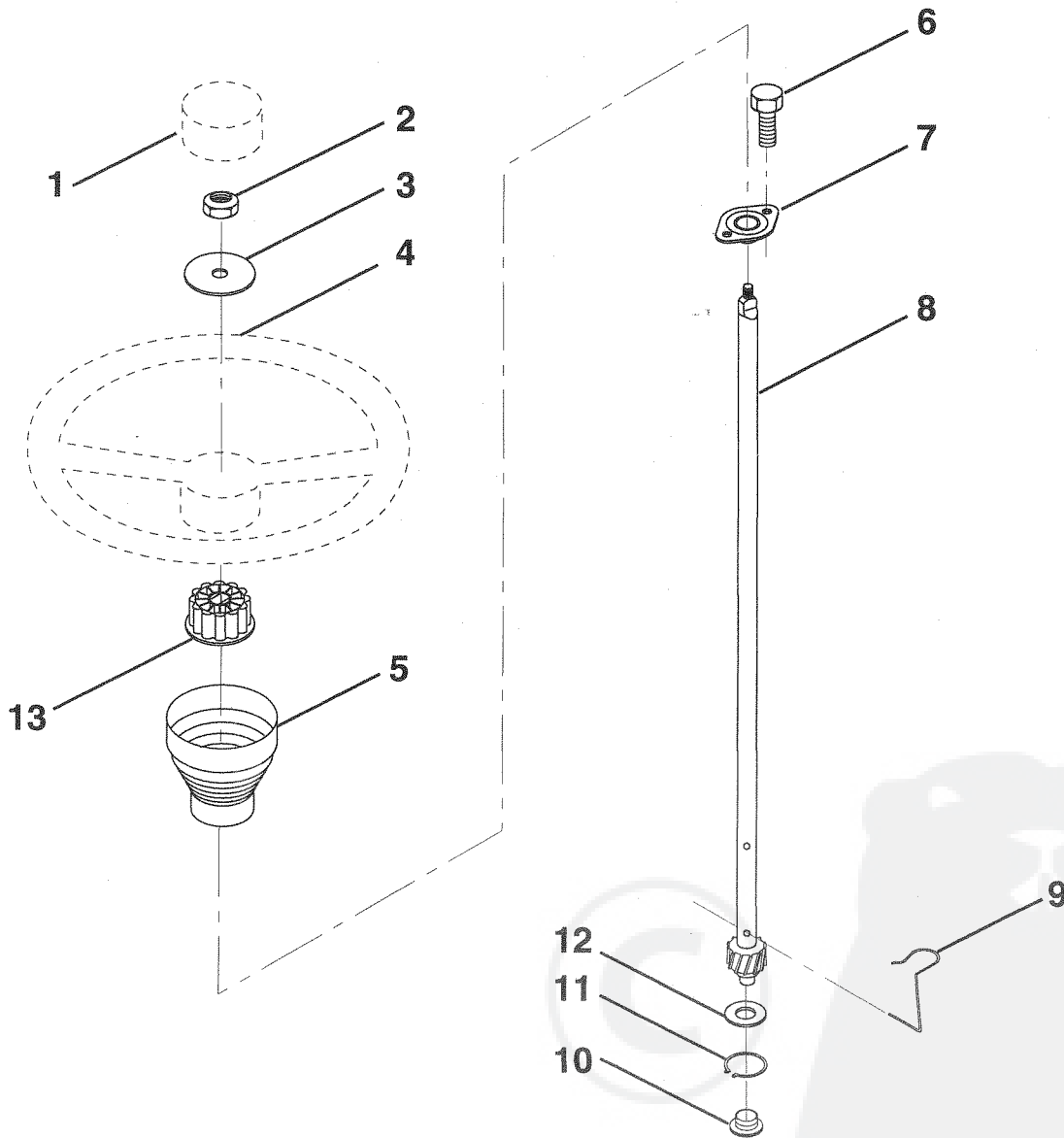
NOTE: All component dimensions given in U. S. inches
1 inch = 25.4 mm

HARDWARE SHOWN LARGER FOR EASIER IDENTIFICATION

REPAIR PARTS

TRACTOR - - MODEL NUMBER GP10S36A

STEERING WHEEL



| KEY NO. | PART NO. | DESCRIPTION |
|---------|----------|--------------------------------|
| 1 | 133742 | Insert, Steering Wheel |
| 2 | 7810H | Locknut 3/8-24 UNF |
| 3 | 19133808 | Washer 13/32 x 2-3/8 x 8 Gauge |
| 4 | 133741 | Steering Wheel |
| 5 | 121897X | Sleeve, Steering |
| 6 | 17431008 | Screw, Hex #10-16 x 1/2 TY-B |
| 7 | 102803X | Bushing, Steering |
| 8 | 123651X | Shaft, Steering |

| KEY NO. | PART NO. | DESCRIPTION |
|---------|----------|-----------------------------|
| 9 | 124210X | Clip, Steering |
| 10 | 123438X | Bushing, Lower, Steering |
| 11 | 12000045 | Ring, Retaining |
| 12 | 19211616 | Washer 21/32 x 1 x 16 Gauge |
| 13 | 104820X | Adaptor, Steering Wheel |

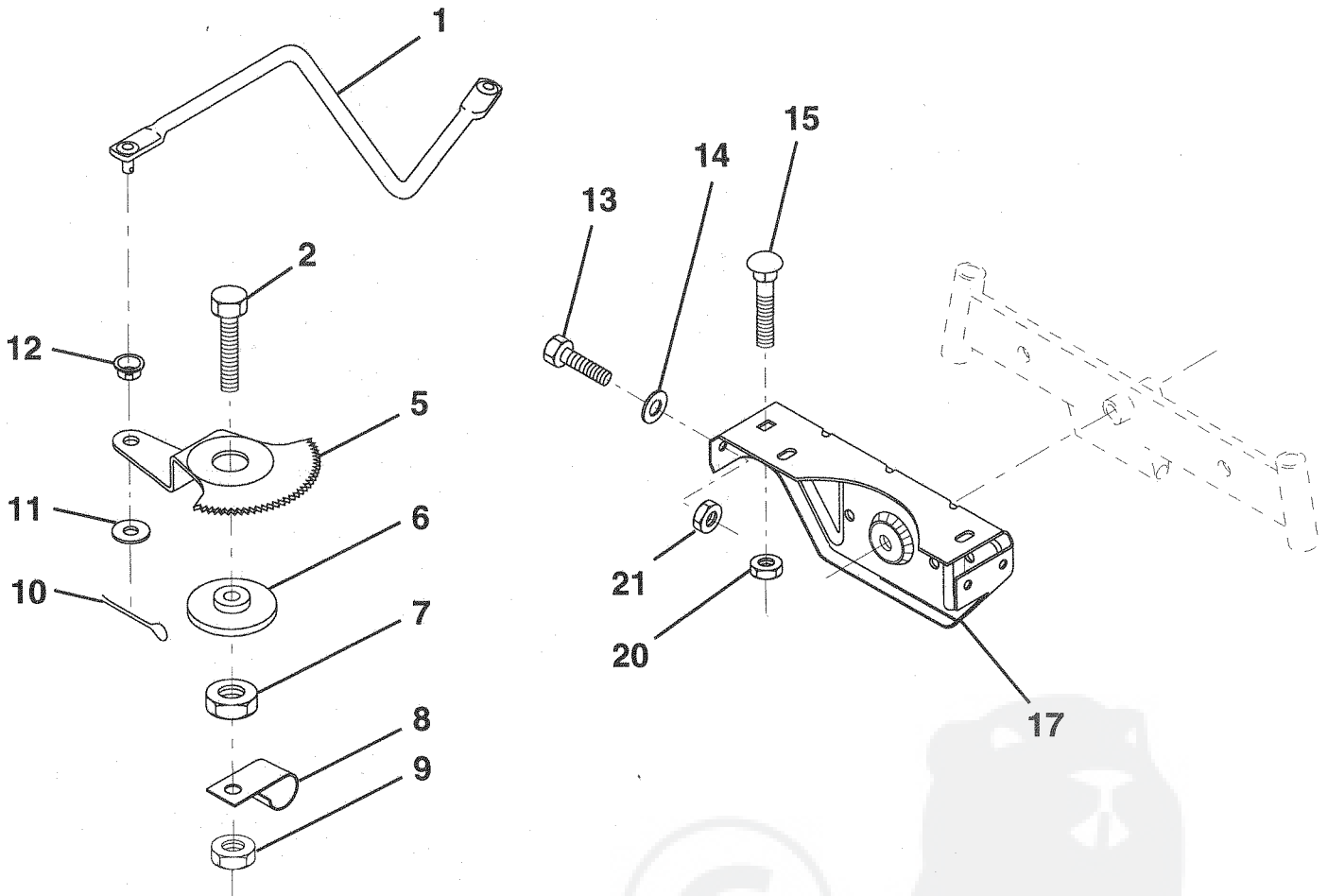
NOTE: All component dimensions given in U.S. inches
1 inch = 25.4 mm

HARDWARE SHOWN LARGER FOR EASIER IDENTIFICATION

REPAIR PARTS

TRACTOR -- MODEL NUMBER GP10S36A

SECTOR GEAR / AXLE SUPPORT



| KEY NO. | PART NO. | DESCRIPTION |
|---------|----------|-------------------------------------|
| 1 | 132566 | Link, Drag |
| 2 | 74780828 | Bolt, Hex, Fin. 1/2-13 x 1-3/4 |
| 5 | 121926X | Gear, Sector |
| 6 | 121927X | Bushing |
| 7 | 73030800 | Nut, Heavy Hex, Top Lock 1/2-13 UNC |
| 8 | 126472X | Clip, Insulated |
| 9 | 73680800 | Nut, Crownlock 3/8-16 |
| 10 | 76020412 | Pin, Cotter 1/8 x 3/4 |
| 11 | 19131316 | Washer 13/32 x 13/16 x 16 Ga. |

| KEY NO. | PART NO. | DESCRIPTION |
|---------|----------|---------------------------------|
| 12 | 126847X | Bushing |
| 13 | 74760512 | Bolt, Hex Hd 5/16 - 18 x 3/4 |
| 14 | 19111416 | Washer 11/32 x 7/8 x 16 Ga. |
| 15 | 72110606 | Bolt, Carriage 3/8-16 UNC x 3/4 |
| 17 | 137096 | Support, Front Axle |
| 20 | 73680600 | Nut, Crownlock 3/8-16 |
| 21 | 73680500 | Nut, Crownlock 5/16-18 |

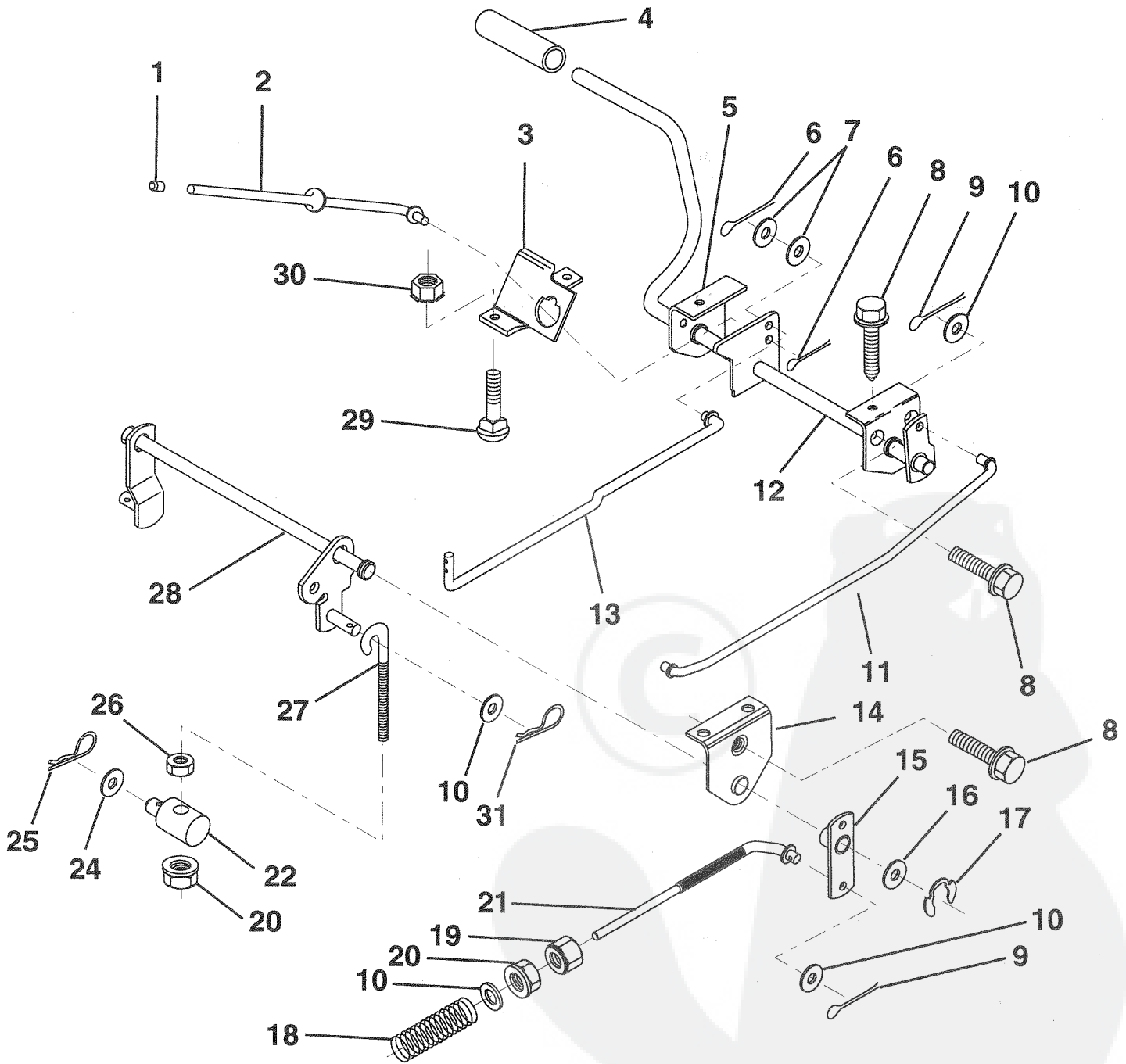
NOTE: All component dimensions given in U. S. inches
1 inch = 25.4 mm

HARDWARE SHOWN LARGER FOR EASIER IDENTIFICATION

REPAIR PARTS

TRACTOR -- MODEL NUMBER GP10S36A

BRAKE / REAR MOWER LIFT ASSEMBLY



REPAIR PARTS

TRACTOR - - MODEL NUMBER GP10S36A

BRAKE / REAR MOWER LIFT ASSEMBLY

| KEY NO. | PART NO. | DESCRIPTION |
|---------|----------|---|
| 1 | 71673 | Cap, Plunger |
| 2 | 123436X | Rod, Parking Brake |
| 3 | 123437X | Bracket, Parking Brake |
| 4 | 8156H | Cover, Pedal |
| 5 | 122504X | Bracket, Clutch/Brake Pedal, L.H. |
| 6 | 76020312 | Pin, Cotter 3/32 x 3/4 |
| 7 | 19131016 | Washer 13/32 x 5/8 x 16 Gauge |
| 8 | 17490508 | Screw, Hex Head, Thd., Roll. 5/16-18 x 1/2 |
| 9 | 76020412 | Pin, Cotter 1/8 x 3/4 |
| 10 | 19131316 | Washer 13/32 x 13/16 x 16 Ga. |
| 11 | 123543X | Rod, Brake Front |
| 12 | 139933 | Assembly, Clutch/Brake Pedal |
| 13 | 123394X | Rod, Clutch |
| 14 | 121978X | Bracket, Lift, Shaft |
| 15 | 133332 | Assembly, Brake, Pivot, Arm |
| 16 | 19251816 | Washer 25/32 x 1-1/8 x 16 Ga. |
| 17 | 12000034 | Ring, Klip |
| 18 | 106888X | Spring, Brake Rod |
| 19 | 73350600 | Nut, Hex, Jam 3/8-16 UNC |
| 20 | 73680600 | Nut, Crownlock 3/8-16 |
| 21 | 131460 | Rod, Rear, Brake |
| 22 | 144585 | Trunnion, Lift |
| 24 | 19132012 | Washer 13/32 x 1-1/4 x 12 Ga. |
| 25 | 4921H | Spring, Retainer |
| 26 | 73930600 | Nut, Centerlock 3/8-16 UNC |
| 27 | 127369 | Link, Threaded |
| 28 | 140776 | Assembly, Rear Mower Lift |
| 29 | 72110506 | Bolt, Carriage 5/16-18 UNC x 3/4 |
| 30 | 73510500 | Nut, Hex, Keps 5/16-16 UNC |
| 31 | 3146R | Retainer, Spring |

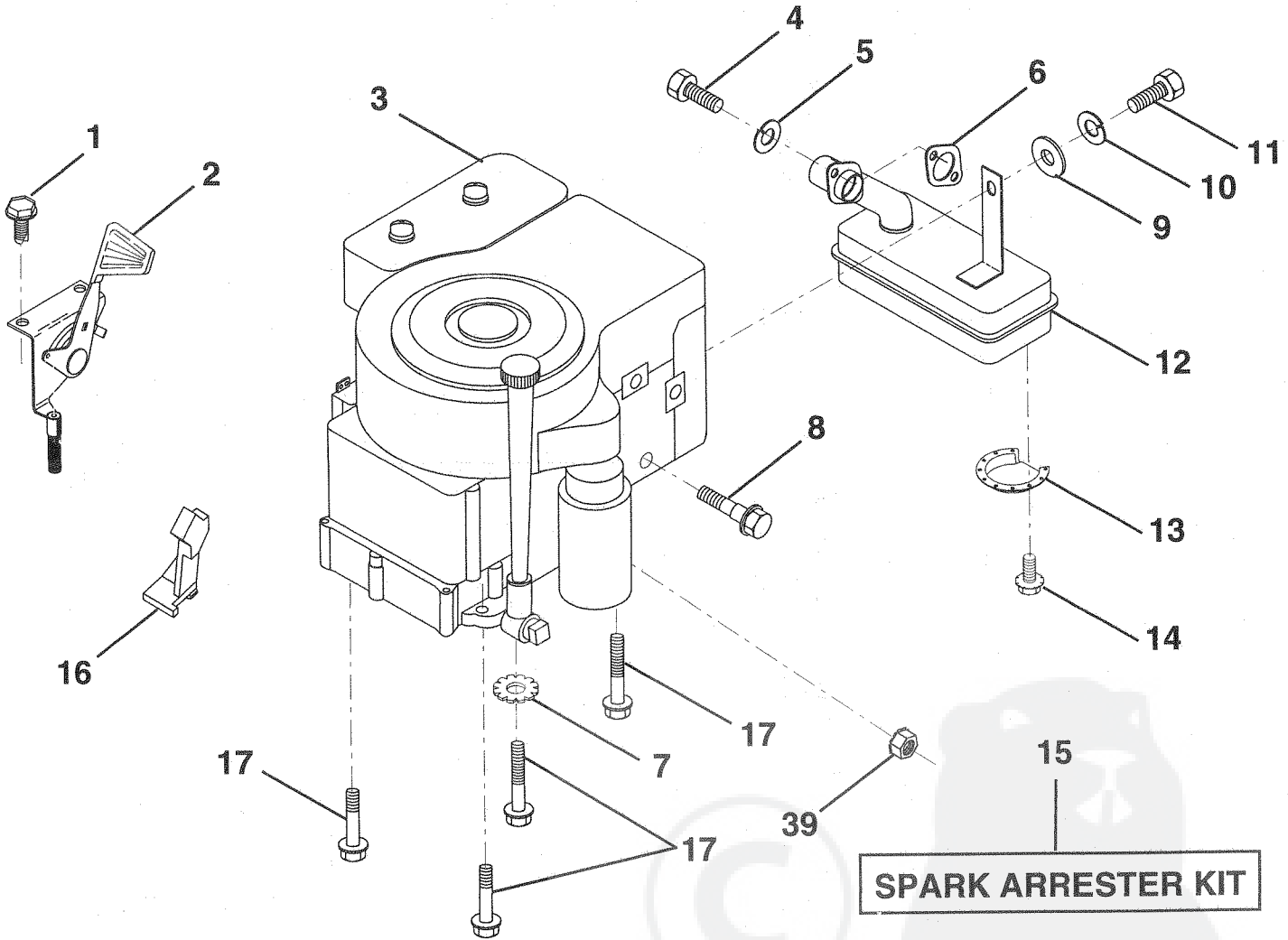
NOTE: All component dimensions given in U. S. inches
1 inch = 25.4 mm

HARDWARE SHOWN LARGER FOR EASIER IDENTIFICATION

REPAIR PARTS

TRACTOR - - MODEL NUMBER GP10S36A

ENGINE / THROTTLE



| KEY NO. | PART NO. | DESCRIPTION |
|---------|----------|--------------------------------------|
| 1 | 17060408 | Screw 1/4-20 x 1/2 |
| 2 | 133025 | Control, Throttle |
| 3 | ----- | Engine, B&S Model No. 28A707 |
| 4 | 71070512 | Screw, Hex Cap Head 5/16-18 x 3/4 |
| 5 | 10040500 | Washer, Lock 5/16 |
| 6 | 125593X | Gasket, Exhaust |
| 7 | 11050600 | Washer Lock Ext. Tooth 3/8 |
| 8 | 121094X | Bolt, Shoulder 5/16 |
| 9 | 19101216 | Washer 5/16 x 3/4 x 16 Ga. |
| 10 | 10040400 | Washer, Lock, Hvy Hlcl Spring 1/4 |

| KEY NO. | PART NO. | DESCRIPTION |
|---------|----------|---|
| 11 | 74760416 | Bolt, Hex, Fin. 1/4-20 UNC x 1 |
| 12 | 137437 | Muffler |
| 13 | 101326L | Deflector, Muffler |
| 14 | 17030808 | Screw, Spiderlock Hex Hd 8x 1/2 |
| 15 | 137180 | Arrester, Spark (Optional) |
| 16 | 127951 | Stop, Throttle |
| 17 | 17490624 | Screw, Hex Washer Head, Thd., Roll. 3/8-16 x 1-1/2 |
| 39 | 73510400 | Nut, Keps Hex 1/4-20 |

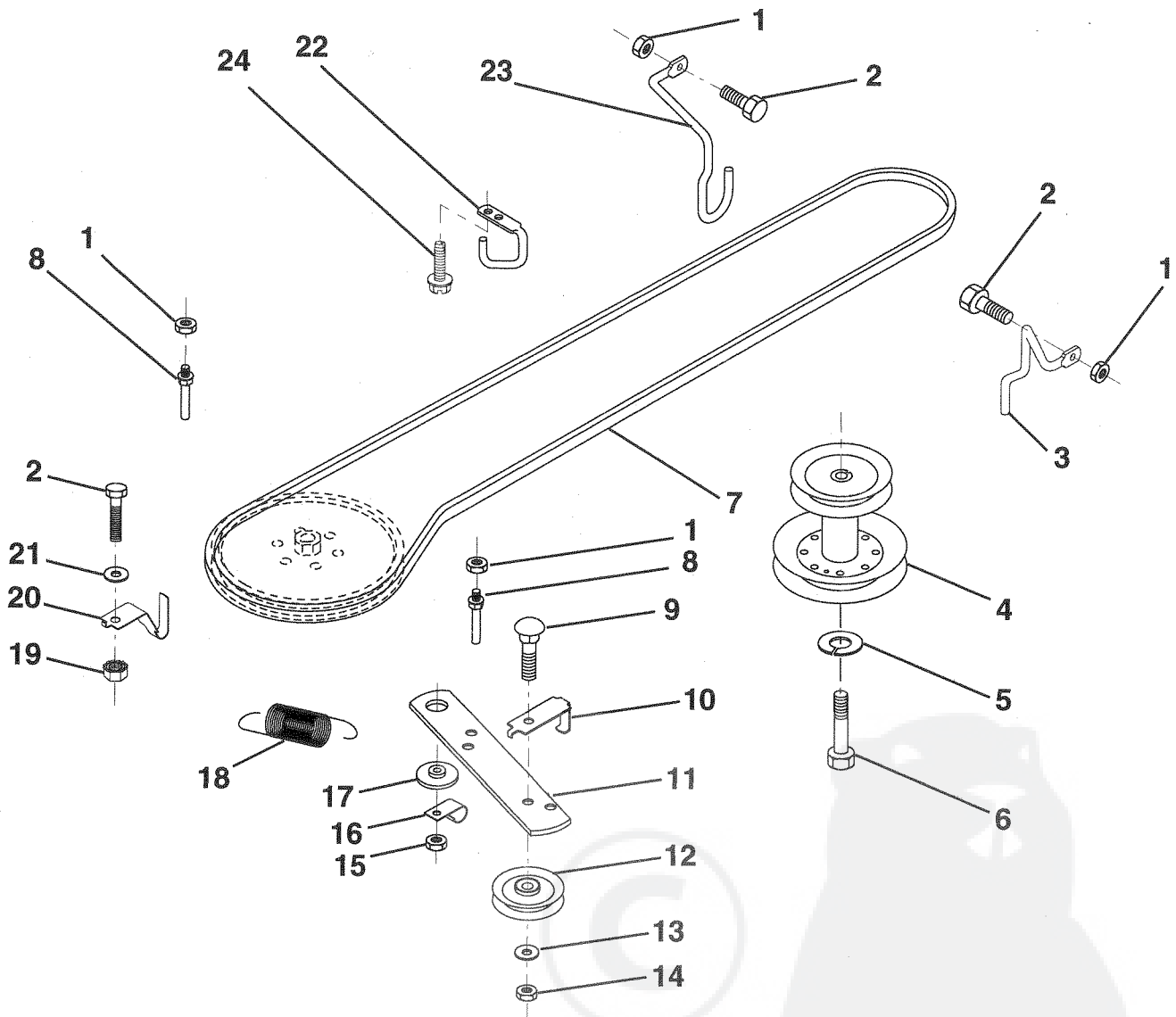
NOTE: All component dimensions given in U. S. inches
1 inch = 25.4 mm

HARDWARE SHOWN LARGER FOR EASIER IDENTIFICATION

REPAIR PARTS

TRACTOR -- MODEL NUMBER GP10S36A

GROUND DRIVE



| KEY NO. | PART NO. | DESCRIPTION | KEY NO. | PART NO. | DESCRIPTION |
|---------|----------|-----------------------------------|---------|----------|----------------------------------|
| 1 | 73680500 | Nut, Crownlock 5/16-18 | 14 | 73930600 | Nut, Centerlock 3/8-16 UNC |
| 2 | 74760512 | Bolt, Hex Hd. 5/16-18 UNC x 3/4 | 15 | 73680600 | Nut, Crownlock 3/8-16 |
| 3 | 141342 | Keeper, Mower Drive Belt, R.H. | 16 | 126471X | Clip Insulator |
| 4 | 138029 | Pulley, Engine | 17 | 122052X | Spacer, Retainer |
| 5 | 10040700 | Washer, Lock 7/16 | 18 | 131459 | Spring Extension |
| 6 | 71170744 | Bolt, Hex, Fin. 7/16-20 | 19 | 73510500 | Nut, Hex, Keps 5/16-18 UNC |
| 7 | 124525X | Traction, V-Belt, Drive | 20 | 139919 | Keeper, T/A, Ground Drive Belt |
| 8 | 123405X | Keeper, T/A, Ground Drive Belt | 21 | 19111016 | Washer 11/32 x 5/8 x 16 Gauge |
| 9 | 72140612 | Bolt, Carriage 3/8-16 UNC x 1-1/2 | 22 | 123404X | Keeper, Frame, Ground Drive Belt |
| 10 | 123396X | Keeper, Ground Drive, Belt, Idler | 23 | 140916 | Keeper, Mower Drive Belt, L.H. |
| 11 | 140911 | Clutch Arm, Ground Drive | 24 | 17720408 | Screw, Thd. Cut 1/4-20 x 1/2 |
| 12 | 123674X | Idler, Flat | | | |
| 13 | 19131316 | Washer 13/32 x 13/16 x 16 Ga. | | | |

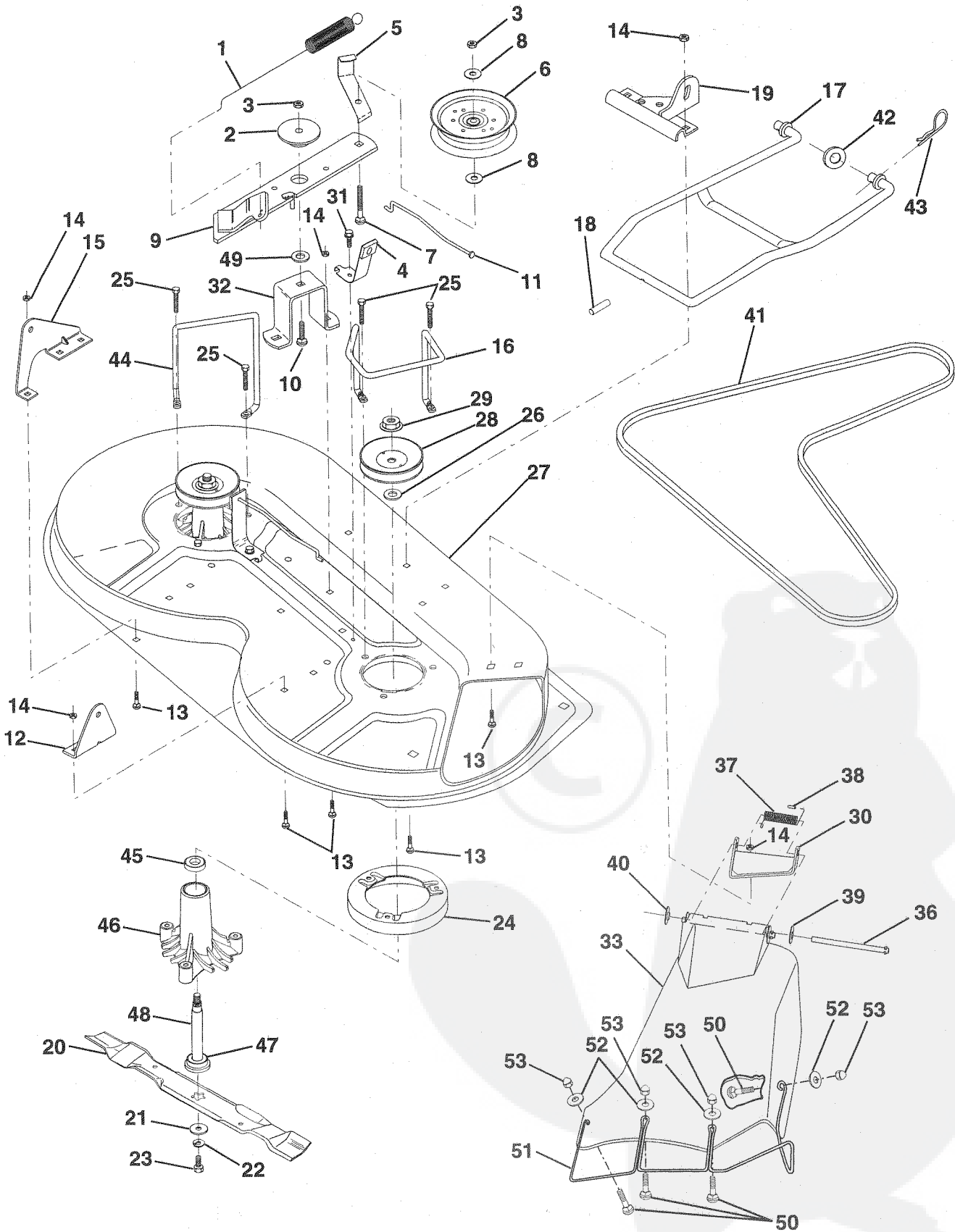
NOTE: All component dimensions given in U. S. inches
1 inch = 25.4 mm

HARDWARE SHOWN LARGER FOR EASIER IDENTIFICATION

REPAIR PARTS

TRACTOR -- MODEL NUMBER GP10S36A

MOWER DECK



REPAIR PARTS

TRACTOR - - MODEL NUMBER GP10S36A

MOWER DECK

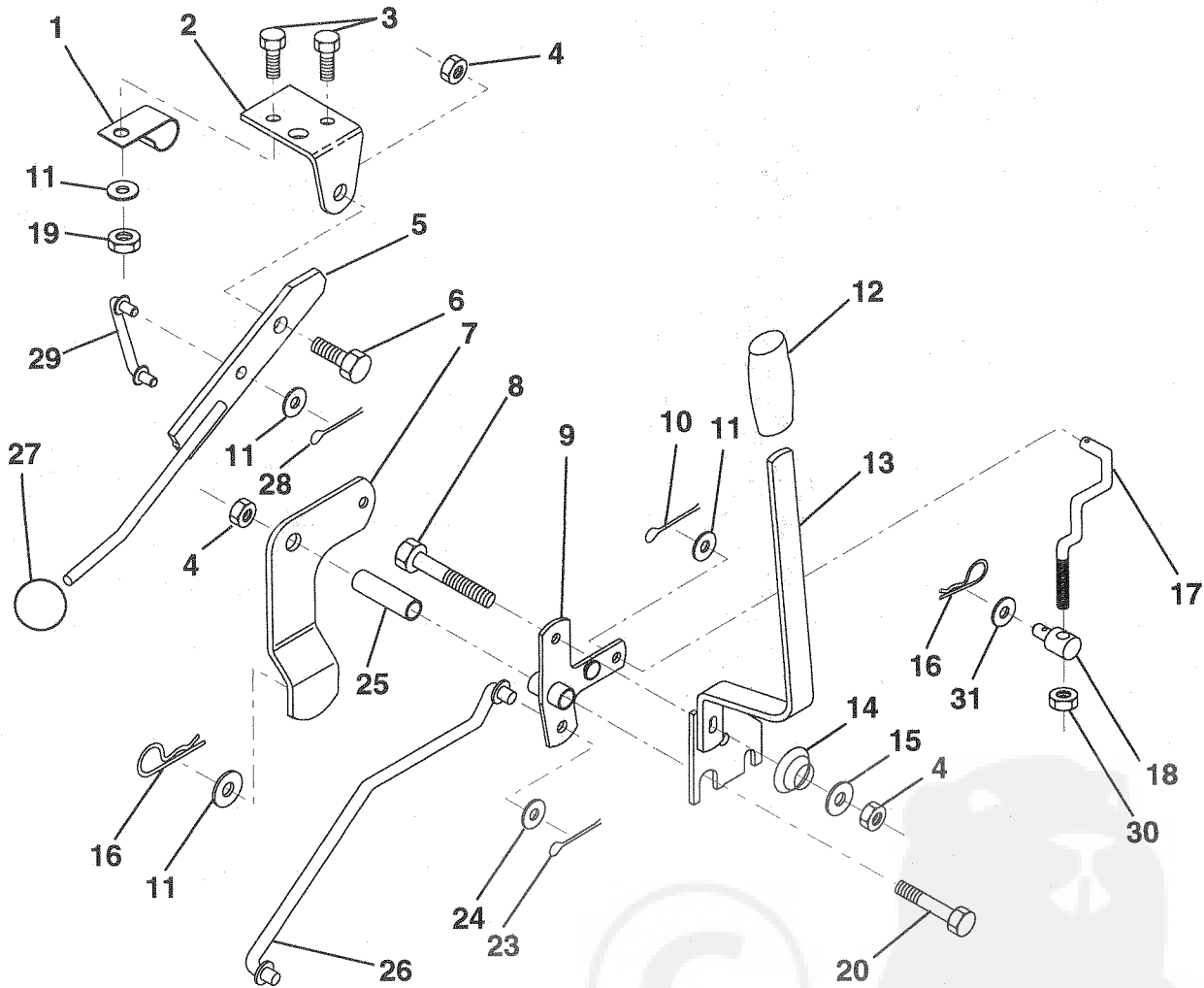
| KEY PART NO. | NO. | DESCRIPTION | KEY PART NO. | NO. | DESCRIPTION |
|--------------|----------|---------------------------------|--------------|------------|---|
| 1 | 140064 | Spring, Mower Clutch | 29 | 137266 | Nut, Flangelock 9/16 |
| 2 | 122052X | Spacer, Retainer | 30 | 136631 | Bracket, Assembly, Deflector |
| 3 | 73680600 | Nut, Crownlock 3/8-16 | 31 | 17490508 | Screw, Hex Washer Head, Thd., Roll. 5/16-18 x 1/2 |
| 4 | 130840 | Brake Assembly | 32 | 122051X | Arm, Support, Idler, Mower |
| 5 | 131251 | Guide, Belt, Idler | 33 | 139083 | Deflector |
| 6 | 121316X | Pulley, Flat, Idler | 36 | 121980X | Rod, Hinge |
| 7 | 72110616 | Bolt, Carriage 3/8-16 x 2-1/4 | 37 | 123713X | Spring, Torsion, Deflector |
| 8 | 19131410 | Washer 13/21 x 7/8 x 10 Gauge | 38 | 105304X | Cap, Sleeve |
| 9 | 127744 | Arm Assembly, Idler, Mower | 39 | 19111016 | Washer 11/32 x 5/8 x 16 Gauge |
| 10 | 72140610 | Bolt, Carriage 3/8-16 x 1-1/4 | 40 | 110452X | Push Nut |
| 11 | 130841 | Rod, Brake | 41 | 131264 | V-Belt |
| 12 | 127356 | Bracket, Lift, Rear, R.H. | 42 | 19171616 | Washer 11/32 x 5/8 16 Gauge |
| 13 | 72140506 | Bolt, Carriage 5/16-18 x 3/4 | 43 | 3146R | Retainer, Spring |
| 14 | 73680500 | Nut, Crownlock 5/16-18 | 44 | 140608 | Keeper, L.H. |
| 15 | 127357 | Bracket, Lift, Rear, L.H. | 45 | 110485X | Bearing |
| 16 | 140093 | Keeper, R.H. | 46 | 128774 | Housing, Mandrel, Vented |
| 17 | 128508 | Link Assembly, Mower Stabilizer | 47 | 129895 | Bearing |
| 18 | 128511 | Pin, Drive | 48 | 137645 | Shaft, Mandrel (Includes Key Number 47) |
| 19 | 127380 | Bracket, Assembly, Front | 49 | 133943 | Washer, Hardened |
| 20 | 138496 | Blade | 50 | M720305016 | Bolt Rd Hd Sqnk M5 X 0.8 X 16 mm |
| 21 | 140296 | Washer, Hardened | 51 | 136383 | Guard, Deflector Mower 36" TUV |
| 22 | 10030600 | Washer, Lock 3/8 | 52 | 19070718 | Washer 7/32 x 7/16 X 18 Ga. |
| 23 | 850857 | Bolt 3/8-24 x 1-1/4 Grade 8 | 53 | M730705000 | Nut, Acorn M5 X 0.8 |
| 24 | 140329 | Stripper | -- | 130794 | Mandrel Assembly (Includes Key No.'s 21-23, 26, 29 and 45-48) |
| 25 | 138776 | Screw Thdrol. Hex Head | -- | 144973 | Mower Deck, Complete |
| 26 | 129963 | Washer .150 Thick | | | |
| 27 | 129983 | Housing Assembly | | | |
| 28 | 129207 | Pulley, Mandrel | | | |

HARDWARE SHOWN LARGER FOR EASIER IDENTIFICATION

REPAIR PARTS

TRACTOR -- MODEL NUMBER GP10S36A

MOWER LIFT LEVER



| KEY NO. | PART NO. | DESCRIPTION |
|---------|----------|--|
| 1 | 126470X | Clip, Insulated |
| 2 | 122018X | Bracket, Mower Clutch |
| 3 | 71110408 | Bolt, Hex Head, Fin. 1/4-20 UNC x 1/2 Grade 5 |
| 4 | 73680600 | Nut, Crownlock 3/8-16 |
| 5 | 145187 | Clutch Lever Assembly |
| 6 | 106451X | Bolt, Shoulder |
| 7 | 135371 | Assembly, Mower Clutch Arm |
| 8 | 74760636 | Bolt, Hex 3/8-16 UNC x 2-1/4 |
| 9 | 121930X | Bellcrank Assembly |
| 10 | 76020412 | Pin, Cotter 1/8 x 3/4 |
| 11 | 19131316 | Washer 13/32 x 13/16 x 16 Ga. |
| 12 | 131861 | Grip, Handle |
| 13 | 139352 | Assembly, Lift Handle |
| 14 | 123496X | Spring, Compression |
| 15 | 19131212 | Washer 13/32 x 3/4 x 12 Ga. |
| 16 | 4921H | Retainer, Spring |

| KEY NO. | PART NO. | DESCRIPTION |
|---------|----------|---|
| 17 | 127359 | Link, Front Lift |
| 18 | 142028 | Trunnion, Threaded 3/8-16 |
| 19 | 73680400 | Nut, Crownlock 1/4-20 3/8-16 UNC x 2-3/4 |
| 20 | 74760644 | Bolt, Hex Head, Fin. |
| 23 | 76020416 | Pin, Cotter 1/8 x 1 |
| 24 | 19171612 | Washer 17/32 x 1 x 12 Ga. |
| 25 | 121933X | Tube, Spacer |
| 26 | 141470 | Rod, Mower Lift |
| 27 | 106932X | Knob |
| 28 | 76020312 | Pin, Cotter 3/32 x 3/4 |
| 29 | 131655 | Link, Mower Clutch |
| 30 | 73350600 | Nut, Hex Jam 3/8 - 16 |
| 31 | 19132012 | Washer 13/32 X 1-1/4 X 12 Ga. |

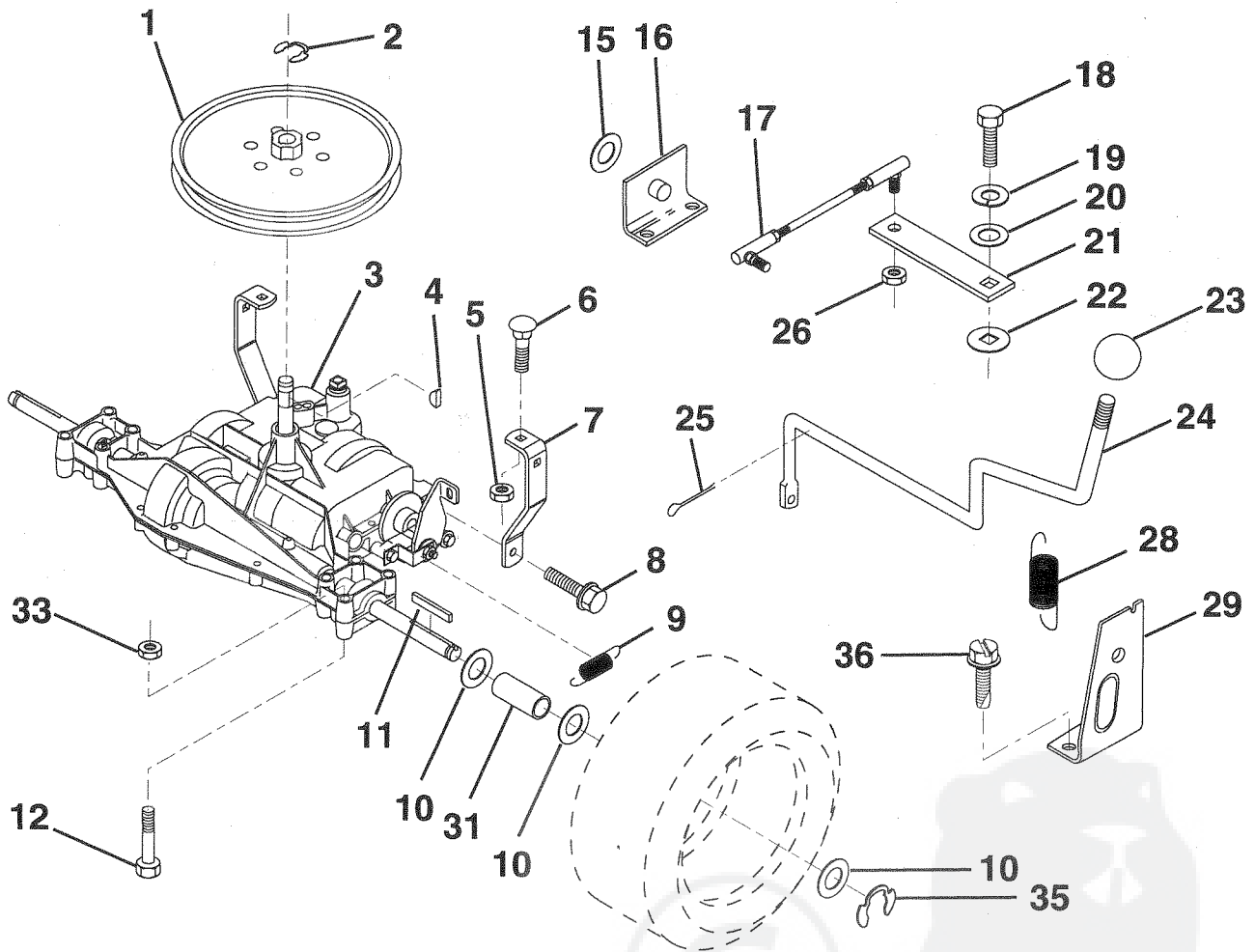
NOTE: All component dimensions given in U. S. inches
1 inch = 25.4 mm

HARDWARE SHOWN LARGER FOR EASIER IDENTIFICATION

REPAIR PARTS

TRACTOR -- MODEL NUMBER GP10S36A

TRANSAXLE



| KEY NO. | PART NO. | DESCRIPTION |
|---------|----------|---|
| 1 | 123385X | Pulley |
| 2 | 12000028 | Ring, Retainer |
| 3 | 142594 | Transaxle Dana, 4 speed, Model Number 4360-77 |
| 4 | 2228M | Key, Woodruff #9 |
| 5 | 73680500 | Nut, Crownlock 5/16-18 |
| 6 | 72140506 | Bolt, Carriage 5/16-18 x 3/4 |
| 7 | 123378X | Strap, Torque |
| 8 | 17490512 | Screw, Hex, Thdrl H 5/16-18 x 3/4 |
| 9 | 146682 | Spring, Brake |
| 10 | 121749X | Washer 25/32 x 1-1/4 x 16 Ga. |
| 11 | 123583X | Key, Square |
| 12 | 74760644 | Bolt Hex 3/8-16 x 2-3/4 |
| 15 | 19171616 | Washer 17/32 x 1 x 16 Ga. |
| 16 | 124600X | Support Handle Shift LH |
| 17 | 123632X | Link, Shift |
| 18 | 74550412 | Bolt Hex 1/4-28 x 3/4 Cat. 8 |

| KEY NO. | PART NO. | DESCRIPTION |
|---------|----------|------------------------------|
| 19 | 10040400 | Washer, Lock 1/4 |
| 20 | 19091210 | Washer 9/32 x 3/4 x 10 Ga. |
| 21 | 123484X | Arm, Shift |
| 22 | 105701X | Washer, Shift Plate |
| 23 | 106933X | Knob |
| 24 | 128215 | Rod, Shift |
| 25 | 76020416 | Pin, Cotter 1/8 x 1 |
| 26 | 73810500 | Nut, Hex, Nylon 5/16-24 |
| 28 | 128085 | Spring, Extension |
| 29 | 128084 | Support Handle Shift RH |
| 31 | 109502X | Spacer |
| 33 | 73680600 | Nut, Crownlock 3/8-16 |
| 35 | 12000001 | E Ring |
| 36 | 17720408 | Screw, Thd. Cut 1/4-20 x 1/2 |

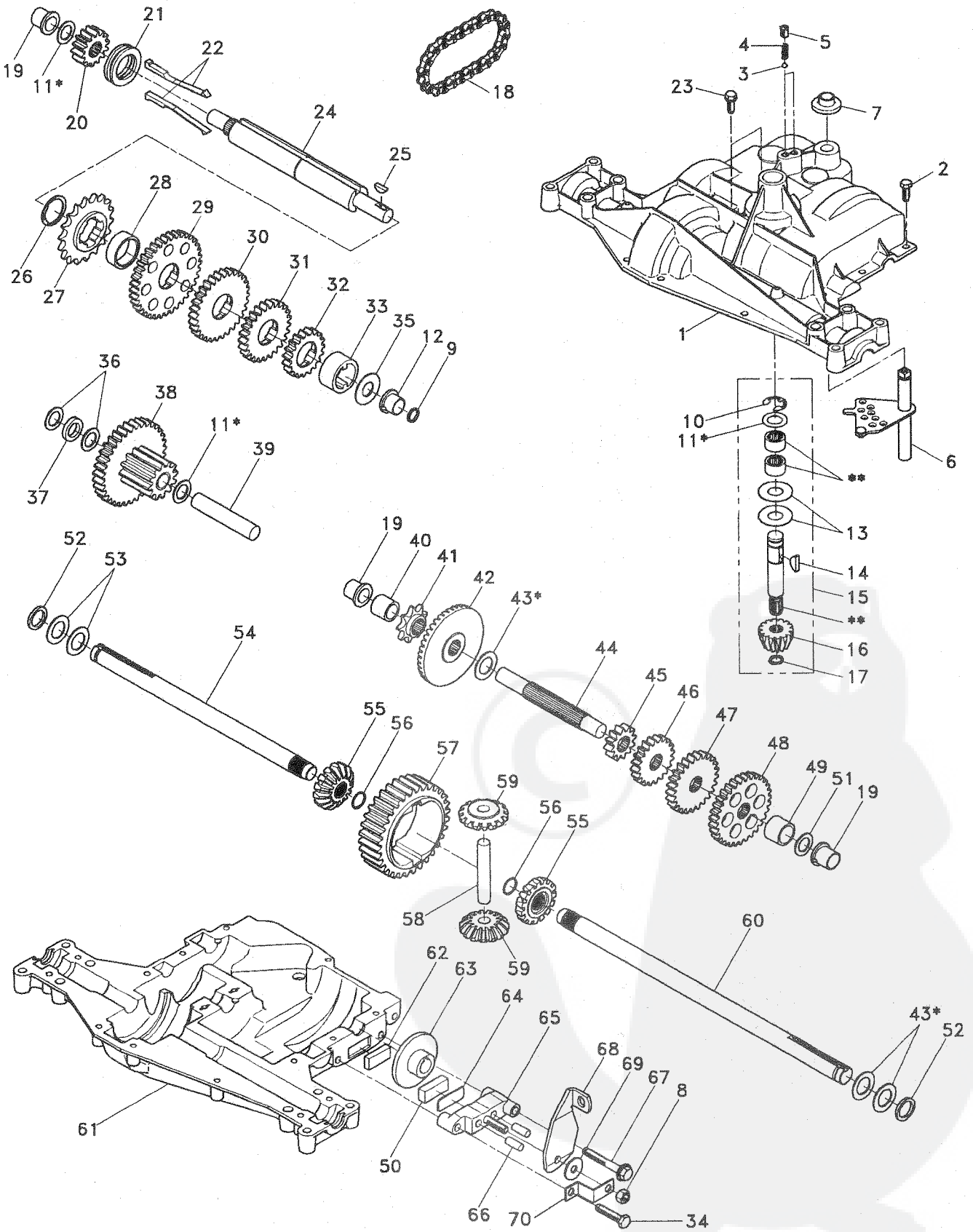
NOTE: All component dimensions given in U. S. inches
1 inch = 25.4 mm

HARDWARE SHOWN LARGER FOR EASIER IDENTIFICATION

REPAIR PARTS

TRACTOR - - MODEL NUMBER GP10S36A

DANA TRANSAXLE - MODEL NUMBER 4360-77



REPAIR PARTS

TRACTOR -- MODEL NUMBER GP10S36A

DANA TRANSAXLE - MODEL NUMBER 4360-77

| KEY PART NO. NO. | DESCRIPTION | KEY PART NO. NO. | DESCRIPTION |
|------------------|---|------------------|--|
| 1 142671 | Housing, Upper | 39 124639X | Shaft, Idler |
| 2 2274J | Screw, Self-Tapping, Large 1/4-20 x .734 | 40 120472X | Spacer .635 x .875 x .755 |
| 3 134400 | Ball, Detent | 41 105928X | Sprocket, 9 Teeth |
| 4 105904X | Spring, Detent | 42 110084X | Gear, Bevel, 42 Teeth |
| 5 105905X | Screw, Set | 43 134394 | * Assembly, Kit, Shim .750 Shaft |
| 6 138235 | Kit, Shifter Assembly | 44 120473X | Shaft, Drive |
| 7 134399 | Boot, Shifter | 45 142678 | Gear, Spur, 12 Teeth |
| 8 73810500 | Locknut 5/16-24 | 46 120407X | Gear, Spur, 20 Teeth |
| 9 143045 | Seal, Oil | 47 106589X | Gear, Spur, 25 Teeth |
| 10 142672 | Ring, Retaining | 48 105937X | Gear, Spur, 31 Teeth |
| 11 134793 | * Assembly, Kit, Shim .625 Shaft | 49 120523X | Spacer .781 x 1.00 x .750 |
| 12 143051 | Bearing, Flange | 50 120951X | Puck, Friction |
| 13 120415X | Washer, Plain .632 x 1.38 x .046 | 51 2226J | Washer, Plain .632 x 1.00 x .060 |
| 14 142674 | Key, Woodruff, #9 | 52 134401 | Washer, Neoprene |
| 15 138234 | Assembly, Kit, Input Shaft | 53 2264J | Washer, Plain .758 x 1.25 x .031 |
| 16 110078X | Pinion, Bevel, 14 Teeth | 54 120474X | Axle, L.H. |
| 17 105909X | Ring, Retaining | 55 110081X | Gear, Miter, 15 Teeth |
| 18 105910X | Chain, 24 Pitches | 56 105941X | Ring, Retaining |
| 19 105911X | Bearing, Flange | 57 110071X | Gear, Spur, 32 Teeth |
| 20 142675 | Gear, Spur, 14 Teeth | 58 120952X | Shaft, Cross |
| 21 138246 | Collar, Clutch | 59 110082X | Gear, Miter, 15 Teeth |
| 22 138236 | Assembly, Kit, Clutch Keys | 60 120475X | Axle, R.H. |
| 23 134791 | Screw, Tapping w/Sealer | 61 142680 | Housing, Lower |
| 24 142676 | Shaft, Intermediate | 62 120961X | Puck, Friction |
| 25 2244J | Key, Woodruff, #61 | 63 7294J | Disc, Brake |
| 26 105916X | Ring, Retaining | 64 108989X | Spacer |
| 27 120470X | Sprocket, 18 Teeth | 65 120953X | Jaw, Brake |
| 28 110070X | Spacer | 66 120954X | Pin, Dowel |
| 29 142677 | Gear, Spur, 37 Teeth | 67 134799 | Screw, Self-Tapping, Large 5/16-18 x 2.25 |
| 30 120405X | Gear, Spur, 30 Teeth | 68 138244 | Lever, Actuating |
| 31 108980X | Gear, Spur, 25 Teeth | 69 108996X | Washer, Plain .321 x 1.00 x .055 |
| 32 134796 | Gear, Spur, 19 Teeth | 70 120956X | Bracket, Anti-Rotation |
| 33 138239 | Spacer 1.133 x 1.50 x .750 | 71 120416X | Grease |
| 34 106596X | Screw, Self-Tapping, Large 5/16-18 x 1.44 | | |
| 35 105925X | Washer, Plain .640 x 1.37 x .061 | | |
| 36 2232J | Washer, Plain .632 x 1.00 x .026 | | |
| 37 108978X | Spacer .630 x 1.00 x .169 | | |
| 38 110079X | Assembly, Gear, Combination of 12 Teeth and 35 Teeth | | |

* Use in combinations to maintain proper clearances

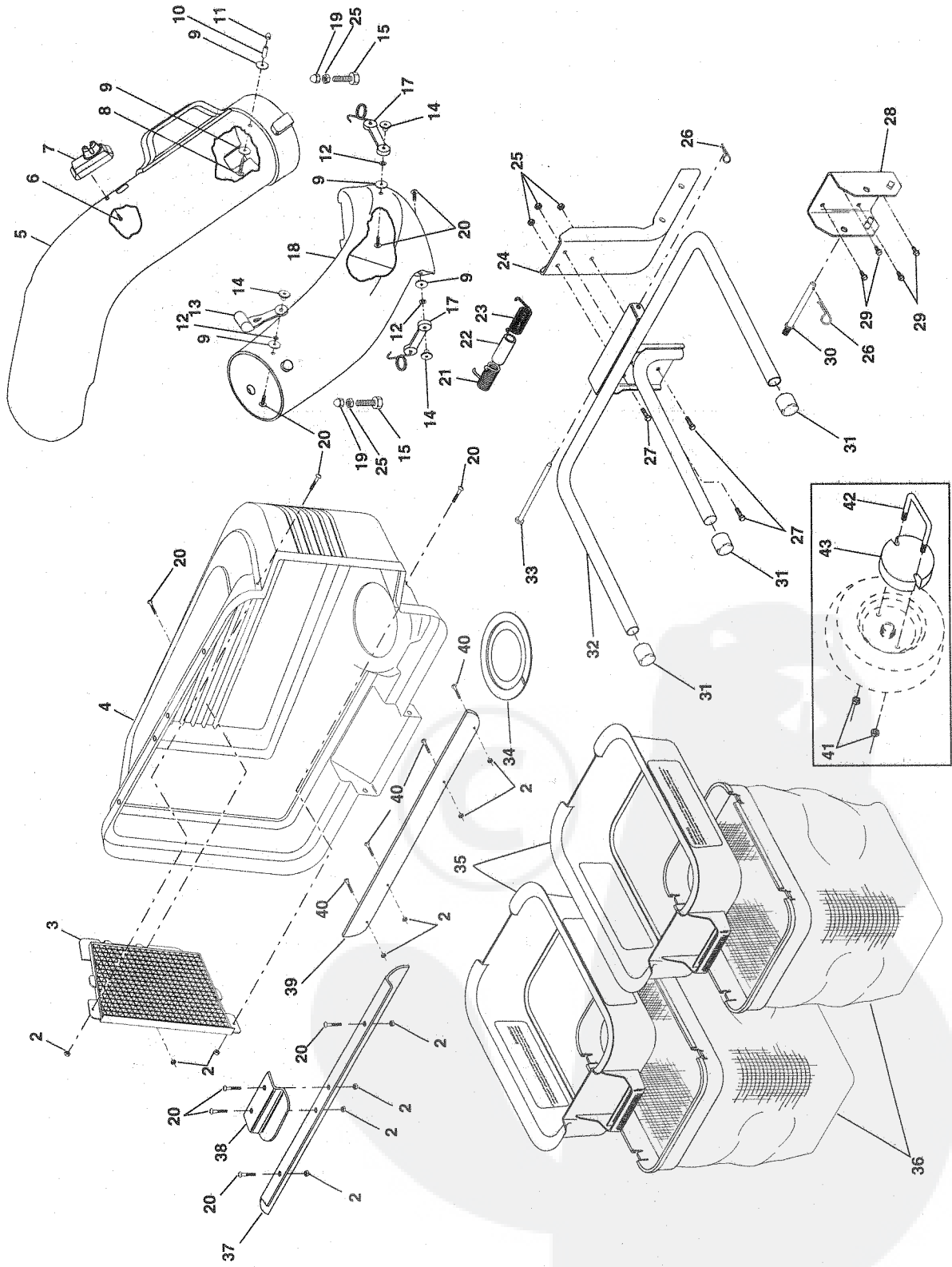
** Order Key No. 15

NOTE: All component dimensions given in U.S. inches
1 inch = 25.4 mm

REPAIR PARTS

TRACTOR -- MODEL NUMBER GP10S36A

BAGGER



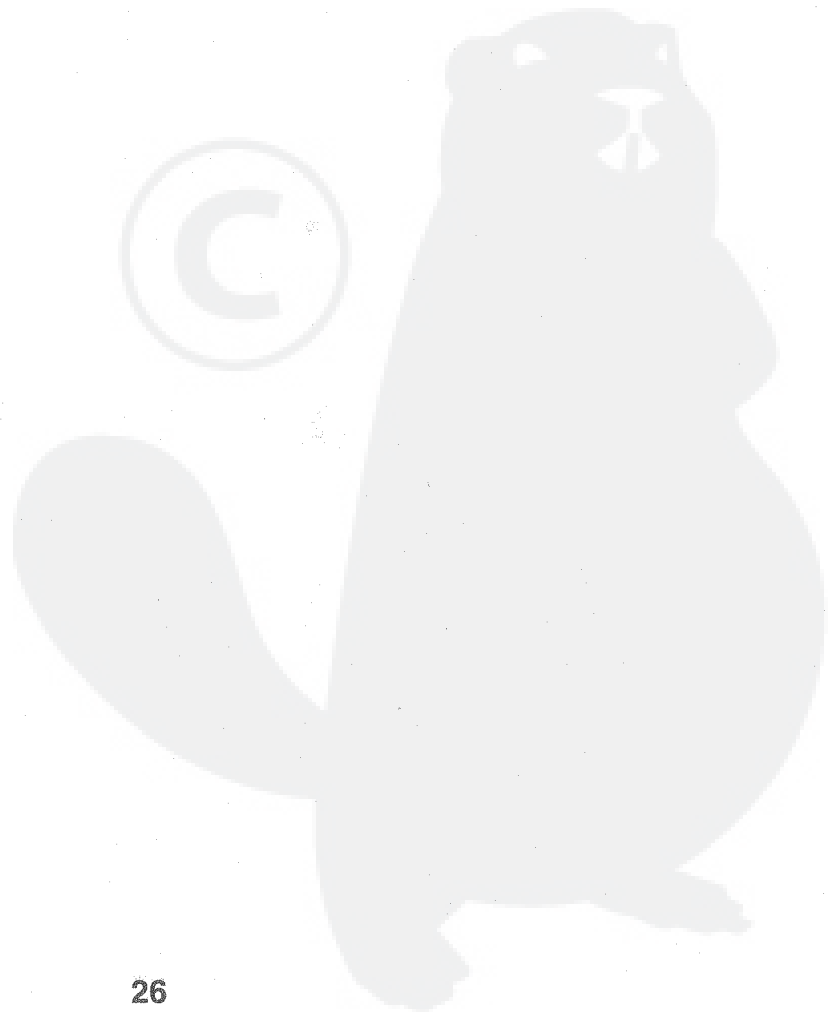
REPAIR PARTS

BAGGER

TRACTOR -- MODEL NUMBER GP10S36A

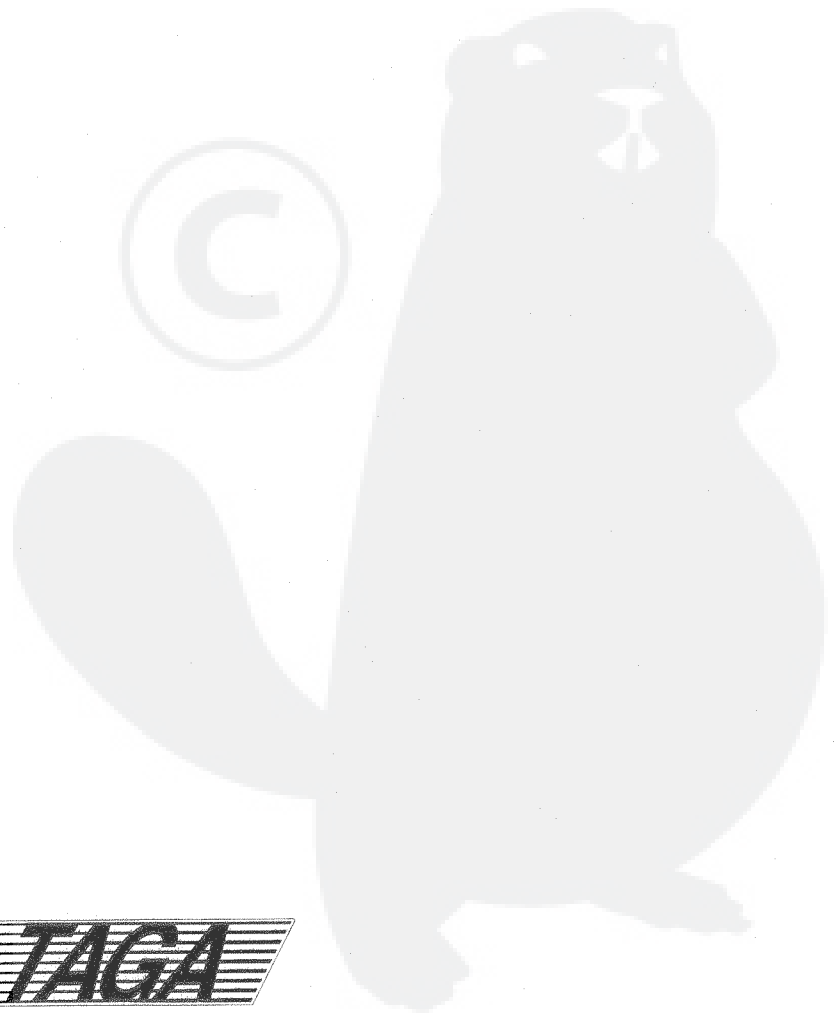
| KEY NO. | PART NO. | DESCRIPTION | KEY NO. | PART NO. | DESCRIPTION |
|---------|----------|----------------------------|---------|----------|---|
| 2 | 69180 | Locknut #10-24 | 25 | 63124 | Locknut 5/16 x 18 |
| 3 | 127533 | Screen, Cover | 26 | 4939M | Spring, Retainer |
| 4 | 140654 | Cover | 27 | 74760512 | Bolt, Hex 5/16-18 x 3/4 |
| 5 | 128598 | Chute, Upper | 28 | 130889 | Bracket, Mounting |
| 6 | 18021008 | Screw, Special | 29 | 17490508 | Screw, Thread Rolling 5/16-18 x 1/2 |
| 7 | 140572 | Indicator, Dump Bag | 30 | 131137 | Pin, Support Post |
| 8 | 87175 | Screw, #10-24 x 1-1/8 | 31 | 134496 | Cap, Tubing End |
| 9 | 19061216 | Washer 3/16 x 3/4 x 16 Ga. | 32 | 126919X | Bagger, Frame |
| 10 | 7206J | Spacer, Split | 33 | 128600 | Pin, Hinge |
| 11 | 60867 | Nut, Acorn #10-24 | 34 | 127534 | Gasket, Cover |
| 12 | 10071000 | Washer, lock | 35 | 129585 | Container, Top |
| 13 | 109808X | Latch, Chute | 36 | 132431 | Container, Bottom |
| 14 | 2029J | Nut, Weld | 37 | 132256 | Seal, Cover |
| 15 | 74930516 | Bolt, Hex 5/16-18 x 1 | 38 | 130895 | Latch Handle, Cover |
| 17 | 130758 | Latch Assy., Bagger | 39 | 135495 | Strip, Seal |
| 18 | 128599 | Chute, Lower | 40 | 71141008 | Screw #10-24 x 1/2 |
| 19 | 133841 | Nut, Acorn 5/16-18 | 41 | 73800600 | Locknut 3/8-16 |
| 20 | 71161010 | Screw #10-24 x 5/8 | 42 | 137031 | U-Bolt |
| 21 | 132796 | Spring, Cover L.H. (black) | 43 | 123635X | Weight, Wheel |
| 22 | 133235 | Spacer, Cover | --- | 104419X | Bag, 3.0 mil. 30 Gallon Trash (not included with bagger) |
| 23 | 132983 | Spring, Cover R.H. (gray) | --- | --- | Manual, Bagger Operator's |
| 24 | 127720X | Post, Support | --- | 142001 | --- |

SERVICE NOTES



SERVICE NOTES





TAGA