

ASSEMBLY/REPAIR PARTS

Lawn Tractor

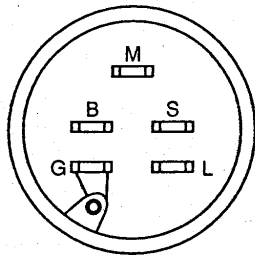
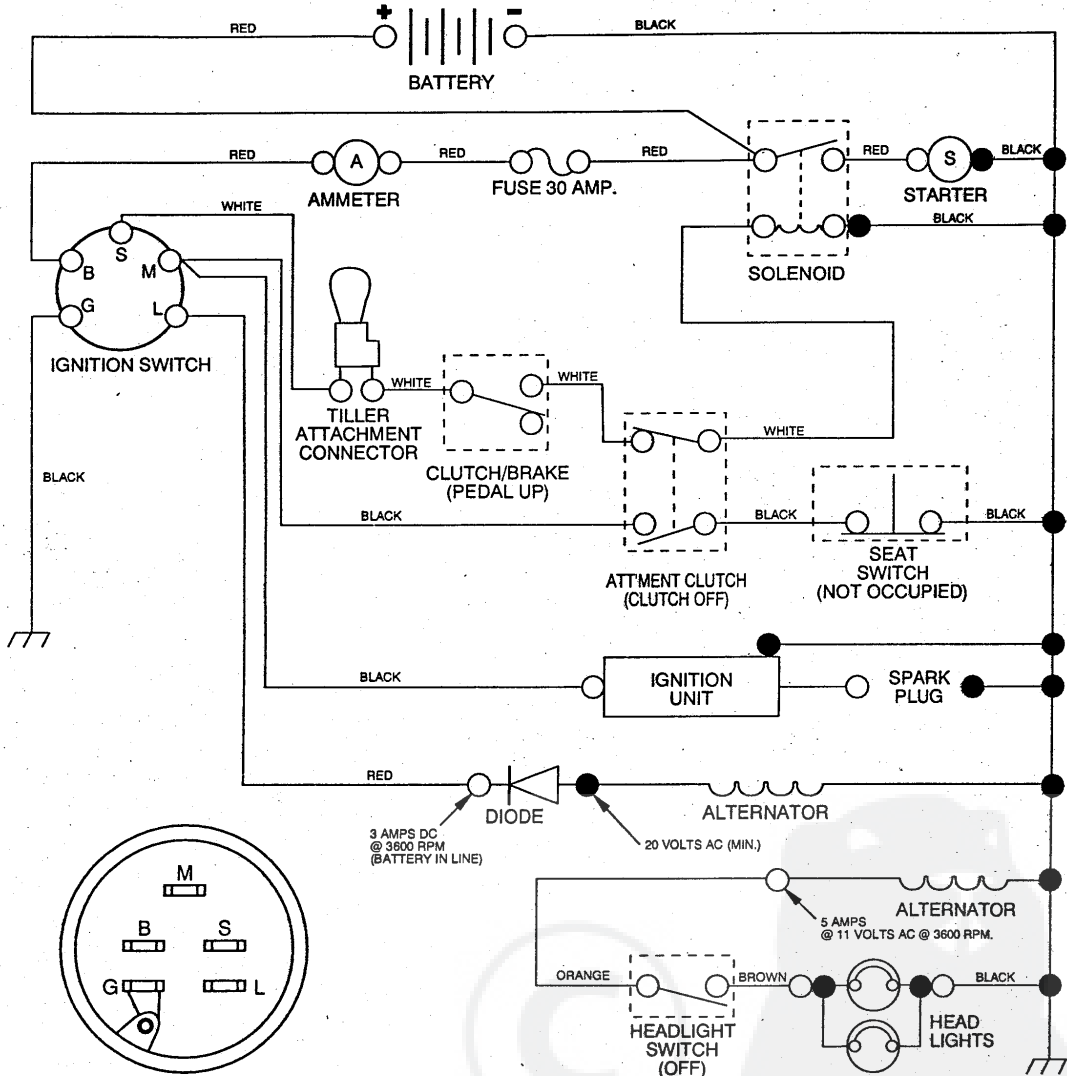
Model No. YE1238E - 91

Yard Pro

127883 01.18.91
Printed in U.S.A.

12 HP 38" LAWN TRACTOR - MODEL NUMBER YE1238E

SCHEMATIC



IGNITION SWITCH

POSITION	CIRCUIT
OFF	M + G
ON	B + L
START	B + S

WIRING INSULATED CLIPS

NOTE: IF WIRING INSULATED CLIPS WERE REMOVED FOR SERVICING OF UNIT, THEY SHOULD BE REPLACED TO PROPERLY SECURE YOUR WIRING

● NON-REMOVABLE CONNECTIONS

○ REMOVABLE CONNECTIONS

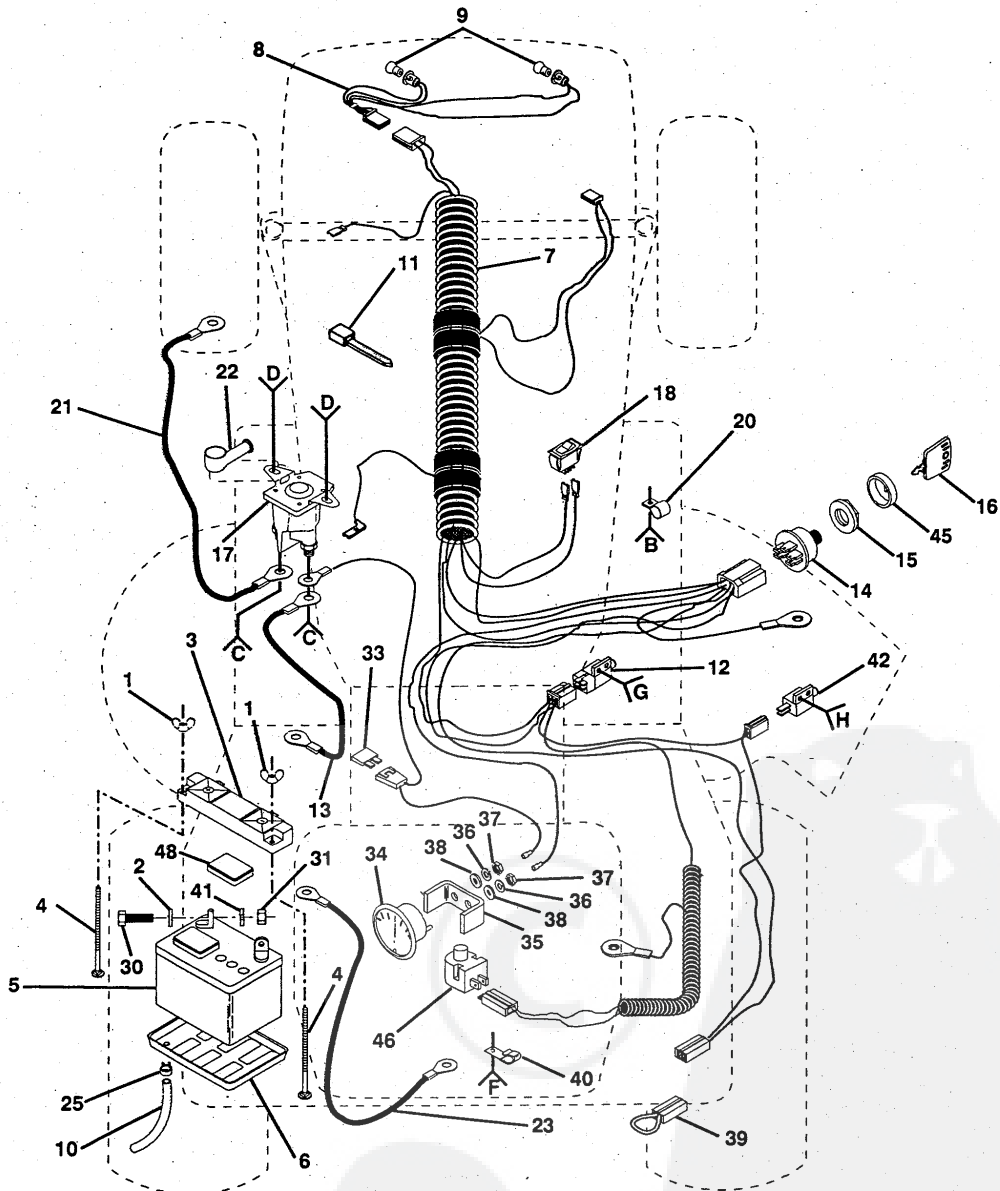
NOTE

YOUR TRACTOR IS EQUIPPED WITH A SPECIAL ALTERNATOR SYSTEM. THE LIGHTS ARE NOT CONNECTED TO THE BATTERY, BUT HAVE THEIR OWN ELECTRICAL SOURCE. BECAUSE OF THIS, THE BRIGHTNESS OF THE LIGHTS WILL CHANGE WITH ENGINE SPEED. AT IDLE THE LIGHTS WILL DIM. AS THE ENGINE IS SPEEDED UP, THE LIGHTS WILL BECOME THEIR BRIGHTEST.

REPAIR PARTS

12 HP 38" LAWN TRACTOR - - MODEL NUMBER YE1238E

ELECTRICAL



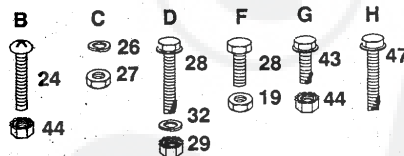
REPAIR PARTS

12 HP 38" LAWN TRACTOR -- MODEL NUMBER YE1238E

ELECTRICAL

KEY PART NO.	NO.	DESCRIPTION	KEY PART NO.	NO.	DESCRIPTION
1	123198X	Nut, Wing 1/4-20	32	11050400	Washer, Lock Internal Tooth 1/4-20
2	19091016	Washer 9/32 x 5/8 x 16 Gauge	33	108824X	Fuse
3	102476X	Guard, Terminal	34	9433R	Ammeter
4	72240460	Bolt, Carriage 1/4-20 x 7-1/2	35	6009J	Bracket, Ammeter
5	121265X	Battery	36	10101000	Washer, Lock
6	7603J	Tray, Battery	37	73911000	Nut
7	125913X	Harness, Ignition	38	19070818	Washer 7/32 x 1/2 x 18 Gauge
8	127441X	Harness, Socket, Light	39	102501X	Loop, Wire
9	7662J	Bulb, Light	40	235R	Clip, Insulated
10	7604J	Tube, Tray, Battery	41	10040400	Washer, Lock Heavy Helical 1/4
11	7192J	Tie, Cable	42	104445X	Switch, Interlock, Clutch Pedal
12	109553X	Switch, Clutch, Attachment, Interlock	43	71031008	Screw, Hex Washer Head
13	4206J	Cable, Battery	44	7395100	Nut, Keps #10-32 UNF
14	4406R	Switch, Ignition	45	109787X	Bezel, Ignition
15	109788X	Nut, Ignition	46	121305X	Switch, Plunger
16	122147X	Key	47	17021008	Screw, Hex Tapping #10-24 x 1/2
17	109081X	Solenoid	48	121264X	Caps, Battery (Set)
18	110712X	Switch, Light	--	101539X	Sheet, Instruction, Tractor 15° Slope (English)
19	73680400	Nut, Hex 1/4-20	--	101572X	Sheet, Instruction, Tractor 15° Slope (French)
20	4171R	Clip, Wire	--	121549X	Decal, Battery, Caution
21	4799J	Cable, Battery	--	127903	Operator's Manual, (English/French)
22	719J	Cover, Terminal	--	127883	Repair Parts Manual, (English/French)
23	4207J	Cable, Battery	--	MS-9250	Briggs and Stratton Operating and Maintenance Instruction
24	74641008	Screw #10/32 x 1/2 Pan Head UNF	--	125690X	Decal, 100 DBA
25	109596X	Clamp, Hose	--	127863	Homologation Sheet
26	10090400	Washer, Lock 1/4	--	128246	Cert. Of Conformity (Tractor)
27	73350400	Nut, Hex Jam 1/4-20			
28	74780408	Bolt, Hex 1/4-20 x 1/2 Grade 5			
29	73510400	Nut, Keps, Hex 1/4-20			
30	74760412	Bolt, Hex 1/4-20 x 3/4			
31	73220400	Nut, Hex 1/4-20			

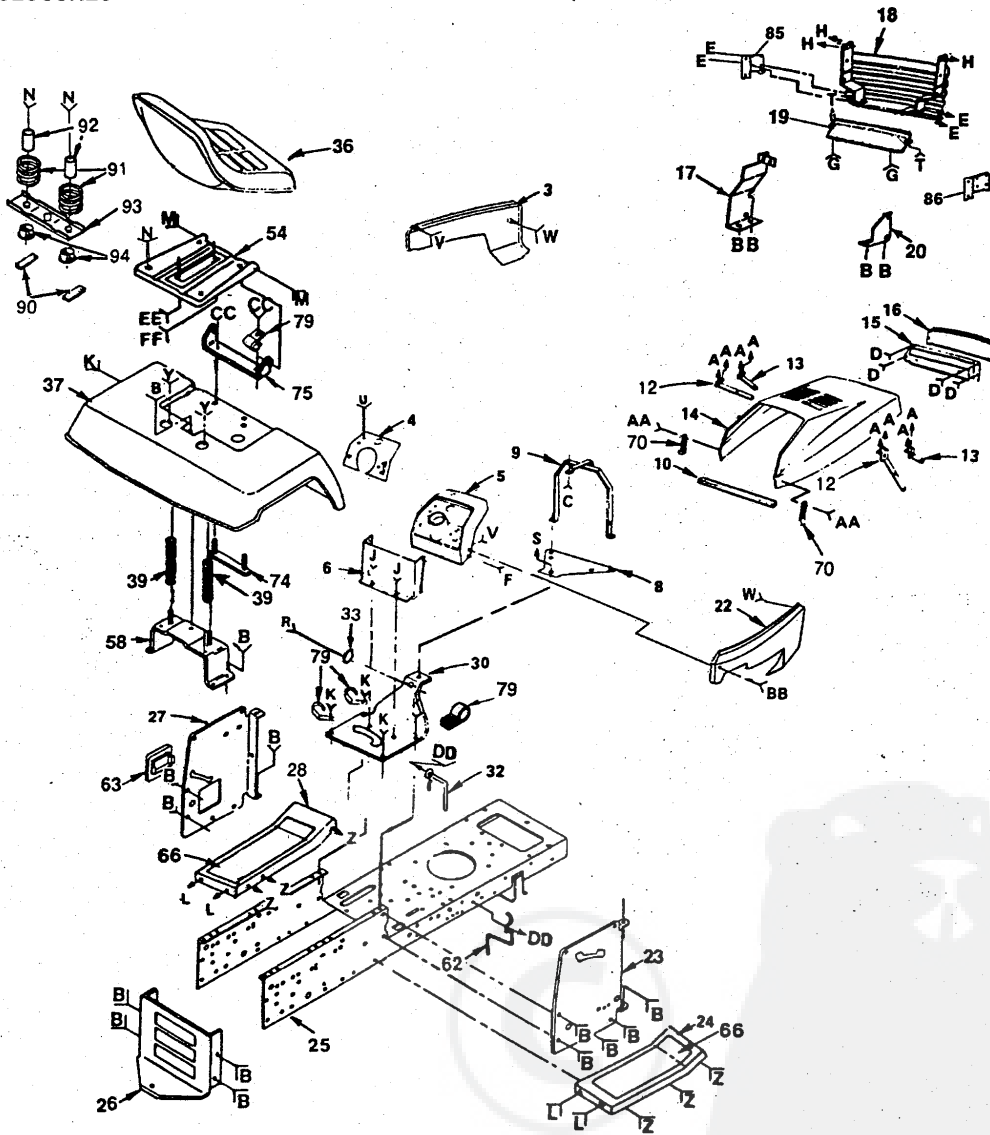
NOTE: All component dimensions given in U. S. inches.
1 inch = 25.4 mm



REPAIR PARTS

12 HP 38" LAWN TRACTOR -- MODEL NUMBER YE1238E

ENCLOSURES



- | | | | | | | | | | | | | | |
|----------|-----------|----------|-----------|----------|-----------|----------|-----------|----------|-----------|----------|-----------|----------|----------|
| A | AA | B | BB | C | CC | D | DD | E | EE | F | FF | G | H |
| 7 | 67 | 47 | 71 | 31 | 43 | 45 | 44 | 44 | 81 | 51 | 82 | 48 | 49 |
| | 68 | | 72 | 1 | | 46 | 64 | | | 42 | 87 | 87 | |
| | 69 | | 77 | 40 | | | 43 | | | 43 | | | 50 |
| | | | 73 | | | | | | | | | | |

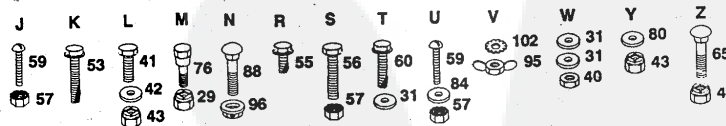
REPAIR PARTS

12 HP 38" LAWN TRACTOR - - MODEL NUMBER YE1238E

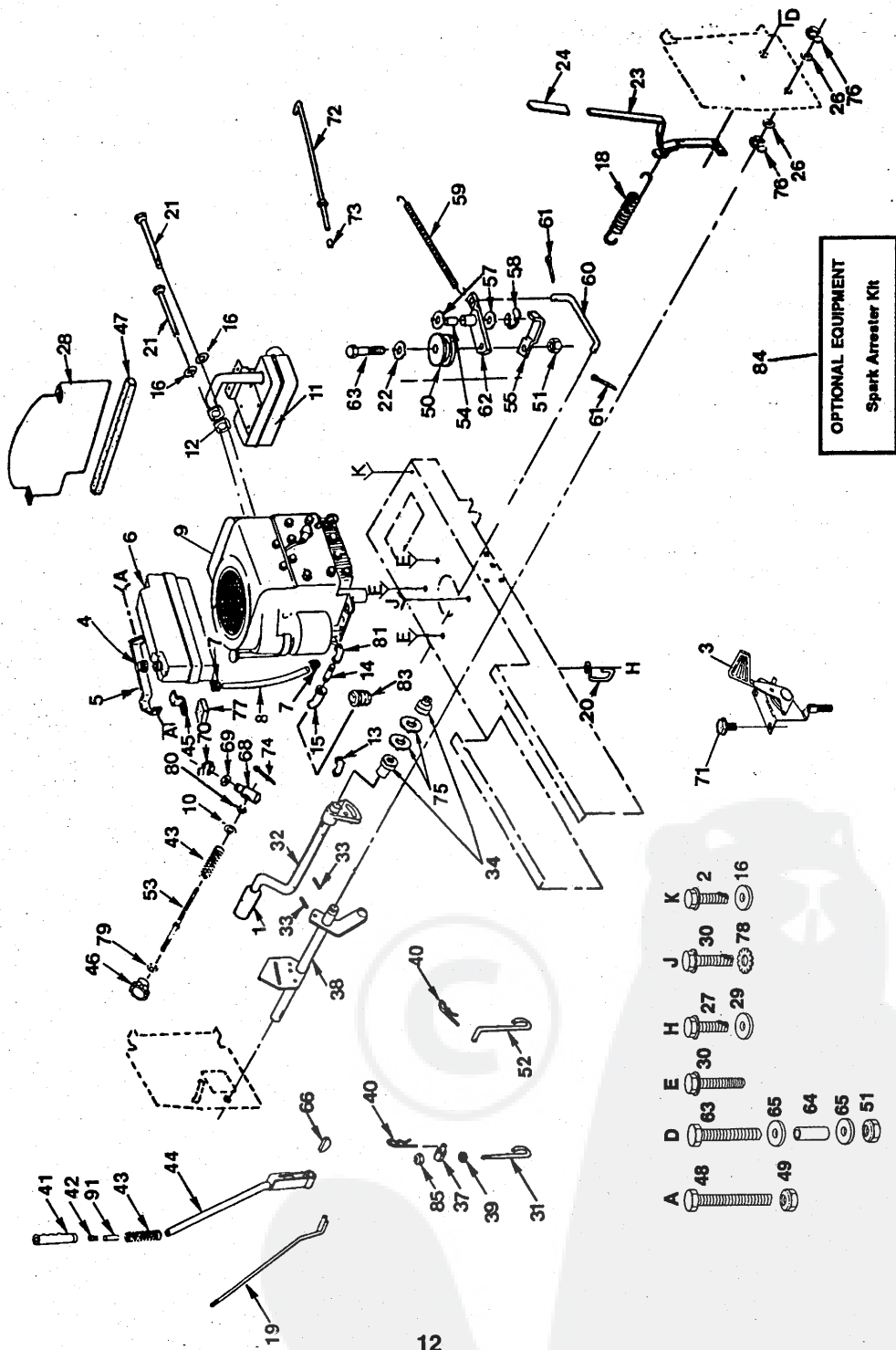
ENCLOSURES

KEY PART NO.	NO.	DESCRIPTION	KEY PART NO.	NO.	DESCRIPTION
1	10040400	Washer, Lock 1/4	56	74780512	Bolt, Hex 5/16-18 x 3/4 Grade 5
3	121890X394	Panel, Side, L.H.	57	73510500	Nut, Keps 5/16-18
4	121286X014	Plate, Dash	58	105509X	Assembly, Bracket, Fender
5	124252X	Dashboard	59	74180512	Screw, Truss Head 5/16-18 x 3/4
6	104783X	Assembly, Dash, Lower	60	17490412	Screw, Hex Washer, Head 1/4-20 x 3/4
7	73510400	Nut, Hex Keps 3/8-16 UNC	62	121441X	Guide, Belt, Lower, Engine, Pulley, R.H.
8	106965X	Plate, Support, Battery	63	121794X	Cover, Access
9	104786X	Assembly, Support, Dash	64	19132012	Washer 13/32 x 1-1/4 x 12 Ga.
10	104915X	Foam, Strip	65	72110606	Bolt, Carriage 3/8-16 x 3/4
12	106784X	Assembly, Strap, Hinge, Rear	66	128866	Pad, Footrest
13	104618X	Assembly, Strap, Hinge, Front	67	74191008	Screw, Cross Recess Pan Head Machine #10-24 x 1/2
14	121886X394	Hood	68	10071000	Washer, Lock #10
15	124392X417	Assembly, Bezel	69	2029J	Nut, Weld
16	106395X	Lens	70	109808X	Latch, Hood
17	121610X	Bracket, Assembly, Frame, Pivot, L.H.	71	74981020	Screw, Machine Cross Recess #10-24 x 1-1/4
18	104801X	Assembly, Grill	72	7206J	Spacer, Split 10 x 3/4
19	105419X423	Strap, Grill	73	73731000	Nut, Keps 10-24
20	110852X	Bracket, Assembly, Frame, Pivot, R.H.	74	105511X	Assembly, Strap, Fender
22	121889X394	Panel, Side, R.H.	75	126656X	Bracket, Pivot, Seat
23	106976X	Panel, Dash, R.H.	76	105529X	Bolt, Shoulder
24	105464X423	Footrest, R.H.	77	19070818	Washer 7/32 x 1/2 x 18 Ga.
25	127213X	Chassis	79	2751R	Clip, Line, Fuel
26	127866	Drawbar	80	19131614	Washer 13/32 x 1 x 14 GA
27	109665X	Panel, Dash, L.H.	81	127018X	Bolt, Shoulder 5/16 x .62
28	105465X423	Footrest, R.H.	82	120068X	Knob 1/2
29	73680500	Nut, Crownlock 5/16-18	83	19171912	Washer 17/32 x 13/16 x 12 Ga.
30	124587X014	Saddle	84	19111116	Washer 11/32 x 11/16 x 16 Ga.
31	19091216	Washer 9/32 x 3/4 x 16 Ga.	85	110855X	Bracket, Assembly, Pivot, L.H.
32	121440X	Guide, Belt, Lower, Engine Pulley, L.H.	86	110854X	Bracket, Assembly, Pivot, R.H.
33	1554J	Bushing, Steering	87	19131210	Washer 13/32 x 3/4 x 10 Ga.
36	127423X	Seat	88	72170410	Bolt, Carriage 1/4-20 x 1-1/4
37	121663X423	Fender	90	121251X	Strip, Foam
39	124181X	Spring, Seat	91	121250X	Spring
40	73220400	Nut, Hex 1/4-20	92	121249X	Spacer
41	74760612	Bolt, Hex 3/8-16 x 3/4	93	121246X	Bracket, Mount, Switch
42	19131312	Washer 13/32 x 13/16 x 3/4	94	121248X	Bushing, Snap
43	73680600	Nut, Crownlock 3/8-16	95	73490400	Nut, Wing 14-20
44	74760616	Bolt, Hex 3/8-16 x 1	96	123976X	Nut, Hex Large Flange, Lock
45	17211010	Screw, Hex Washer Head Tapping #10-16 x 5/8	102	11030400	Washer, Lock, Internal/External 1/4
46	104755X	"J" Fastener	—	109199X	Decal, V-Belt, Ground Drive, Footrest
47	17490612	Screw, Hex Washer Head, Thread Rolling 3/8-16 x 2/4 Type TT	—	109821X	Decal, Operating Instruction, Dash, Under Footrest
48	17490512	Screw, Hex Washer Head, Thread Rolling 5/16-18 x 3/4 Type TT	—	101892X	Decal, Clutch/Brake
49	123481X	Bolt, Shoulder 1/4-20	—	120822X	Decal, Caution, Front Fender
50	73680400	Nut, Crownlock 1/4-20	—	124580X	Decal, Model, Rear Fender
51	74760620	Bolt, Hex 3/8-16 x 1-1/4	—	124051X	Decal, Model, Hood
53	17490608	Screw, Hex Washer Head, Thread Forming 3/8-16 x 1/2 Type TT	—	123966X	Decal, Model, Hood, R.H.
54	124294X	Pan, Seat	—	123965X	Decal, Model, Hood, L.H.
55	17431008	Screw, Hex Head Self-Tapping #10-16 x 1/2 Type B			

NOTE: All component dimensions given in U. S. inches.
1 inch = 25.4 mm



REPAIR PARTS
12 HP 38" LAWN TRACTOR -- MODEL NUMBER YE1238E
POWER & MECHANICAL CONTROLS GROUP



REPAIR PARTS

12 HP 38" LAWN TRACTOR -- MODEL NUMBER YE1238E

POWER & MECHANICAL CONTROLS GROUP

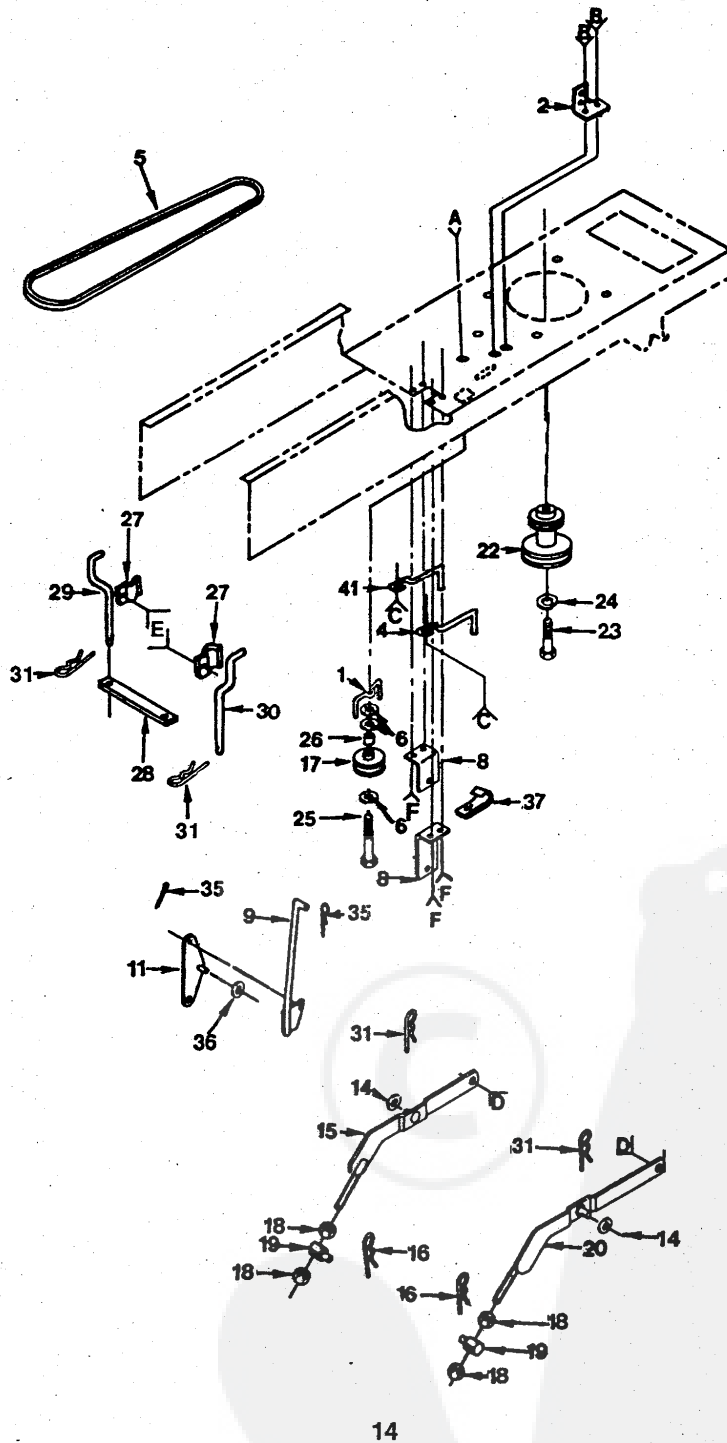
KEY PART NO. NO.	DESCRIPTION	KEY PART NO. NO.	DESCRIPTION
1	8883R	45	104799X
2	17490512	46	121891X
3	122272X	47	105037X
4	8504J	48	74780512
5	121281X	49	73680500
6	121280X	50	123766X
7	123487X	51	73680600
8	7833R	52	110029X
9	124136X	53	110729X
10	19131016	54	105706X
11	123075X	55	123205X
12	125593X	57	110812X
13	13240300	58	12000039
14	13280328	59	105709X
15	13200900	60	105710X
16	10040500	61	76020412
18	102727X	62	123789X
19	105764X	63	74760624
20	104777X	64	108056X
21	71070510	65	19121612
22	19131316	66	8330H
23	106983X	68	110810X
24	4617J	69	19151216
26	19292016	70	12000037
27	17490612	71	17720410
28	109623X	72	125637X
29	19131312	73	71673
30	17490620	74	76020308
31	110448X	75	19211616
32	122424X	76	12000022
33	1572H	77	6431J
34	120183X	78	11050600
37	110447X	79	73350600
38	120174X	80	110807X
39	73360700	81	13310300
40	4939M	82	-----
41	109413X	84	123110X
42	124526X	85	73710700
43	2876H	91	122364X
44	121718X	---	121120X
		---	120601X

NOTE: All component dimensions given in U. S. inches. 1 inch = 25.4 mm

REPAIR PARTS

12 HP 38" LAWN TRACTOR - - MODEL NUMBER YE1238E

DRIVE GROUP



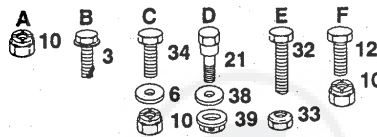
REPAIR PARTS

12 HP 38" LAWN TRACTOR -- MODEL NUMBER YE1238E

DRIVE GROUP

KEY PART NO. NO.	DESCRIPTION	KEY PART NO. NO.	DESCRIPTION
1 109070X	Belt, Keeper	23 71130720	Bolt, Hex 7/16-20 x 1-1/4 Grade 8
2 108236X	Bracket, Switch	24 10040700	Washer, Lock
3 17021008	Screw, Tap Hex Hd. #10-24 x 1/2	25 74760644	Bolt, Hex 3/8-16 x 2-3/4
4 105730X	Keeper, Belt, Engine	26 4470J	Spacer
5 125907X	V-Belt, Drive	27 106190X	Clamp
6 19131312	Washer 13/32 x 13/16 x 12 Ga.	28 123770X	Strap, Locator
8 106444X	Bracket, Bellcrank	29 123662X	Keeper, Belt, L. H.
9 108451X	Rod, Assembly, Clutch, Primary	30 123663X	Keeper, Belt, R. H.
10 73680600	Nut, Crownlock 3/8-16	31 4921H	Spring, Retainer
11 109728X	Bellcrank Assembly	32 74760512	Bolt, Hex 5/16-18 x 3/4
12 74760612	Bolt, Hex 3/8-16 x 3/4	33 73680500	Locknut 5/16-18
14 19171516	Washer 17/32 x 15/16 x 16 Ga.	34 74760616	Bolt, Hex 3/8-16 x 1
15 121599X	Arm Assembly, Suspension, L.H.	35 76020412	Pin, Cotter 18 x 3/4
16 9135R	Retainer, Spring	36 19131410	Washer 13/32 x 7/8 x 10 Gauge
17 123674X	Idler, Flat	37 5320R	Clip, Insulated
18 73220800	Nut, Hex 1/2-13	38 110739X	Spring Washer
19 106308X	Trunnion, Lift, Lower	39 73980600	Nut, Centerlock, Flange 3/8-18
20 121598X	Arm Assembly, Suspension, R.H.	41 121218X	Keeper, Belt, Engine
21 105848X	Bolt, Shoulder 3/8-16		
22 105731X	Pulley, Engine		

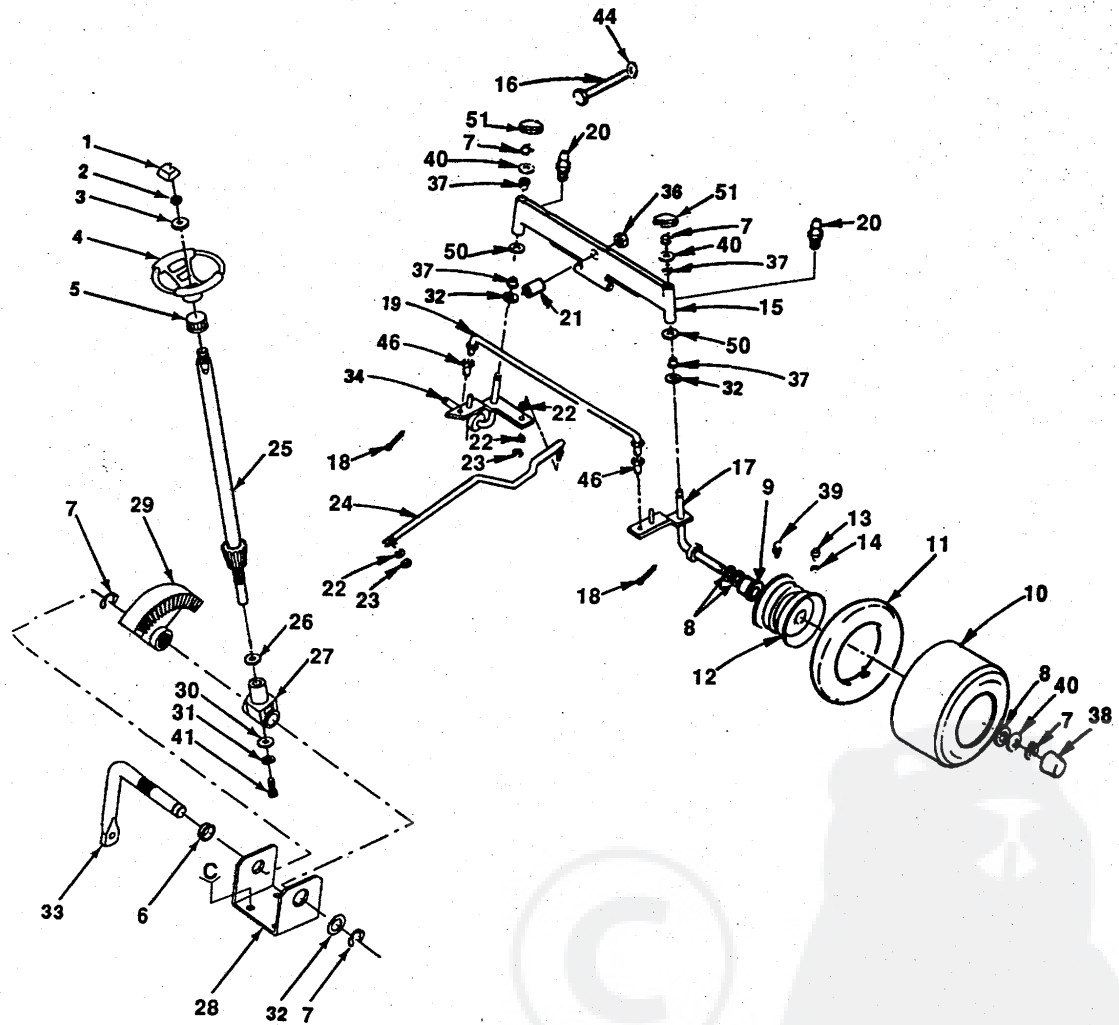
NOTE: All component dimensions given in U.S. inches.
1 inch = 25.4mm



REPAIR PARTS

12 HP 38" LAWN TRACTOR - - MODEL NUMBER YE1238E

STEERING, FRONT AXLE AND WHEELS



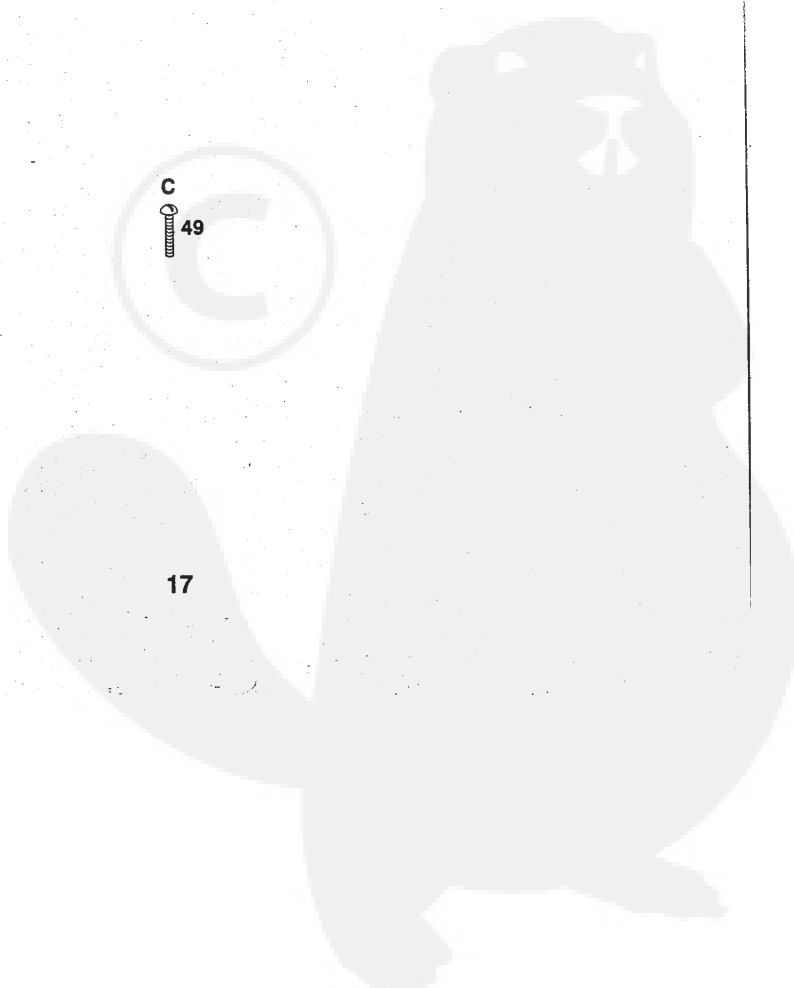
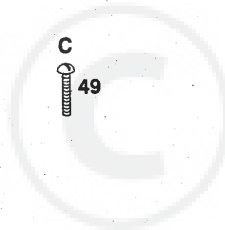
REPAIR PARTS

12 HP 38" LAWN TRACTOR - - MODEL NUMBER YE1238E

STEERING, FRONT AXLE AND WHEELS

KEY PART NO. NO.	DESCRIPTION	KEY PART NO. NO.	DESCRIPTION		
1	121584X	Insert, Steering Wheel	25	128758	Steering Shaft
2	73940800	Nut, Hex Jam Toplock Jam 1/2-20	26	57079	Washer
3	100712K	Washer 17/32 x 2-1/4 x .160	27	124035X	Support, Shaft
4	121472X	Wheel, Steering	28	124036X	Bracket, Assembly, Steering
5	100711L	Adapter, Wheel, Steering	29	124034X	Gear, Sector
6	109816X	Nyliner, Snap-in	30	126684X	Washer, Shim 1/4 x 5/8 x .062
7	12000029	Ring, Klip	31	10040400	Washer, Lock Heavy Helical 1/4
8	121749X	Washer 25/32 x 1-1/4 x 16 Ga.	32	6266H	Bearing,Thrust
9	9040H	Bearings, Wheel, Front	33	124033X	Shaft, Pitman
10	106222X	Tire,	34	105656X	Spindle, Assembly, L.H.
11	59904	Tube Tire	36	73601000	Locknut, Flange 5/8-11
12	106732X361	Rim, Assembly Front (Inc. 2 each Key No. 8)	37	3366R	Bearing
13	65139	Stem, Valve	38	104757X	Cap, Hub, Front
14	59192	Cap, Valve	39	278H	Grease, Fitting
15	108075X	Axle, Assembly, Front	40	121748X	Washer 25/32 x 1-5/8 x 16 Ga.
16	74761060	Bolt, Hex 5/8-11 x 3-3/4	41	71070410	Screw, Socket, Hex 1/4-20 x 5/8
17	105654X	Spindle, Assembly, R.H.	44	19212010	Washer Ptd. 21/32 x 1-1/4 x 10 Ga.
18	76020412	Pin, Cotter 1/8 x 3/4	46	120754X	Bushing
19	105715X	Rod, Tie	49	17490612	Screw, Hex Washer Thread Rolling 3/8-16 x 3/4
20	6855M	Fitting, Grease	50	19272016	Washer 27/32 x 1-1/4 x 16 Ga.
21	110438X	Spacer, Bearing, Front Axle	51	121232X	Cap, Spindle
22	10040600	Washer, Lock 3/8			
23	73610600	Nut, Hex 3/8-24			
24	128122	Link, Drag			

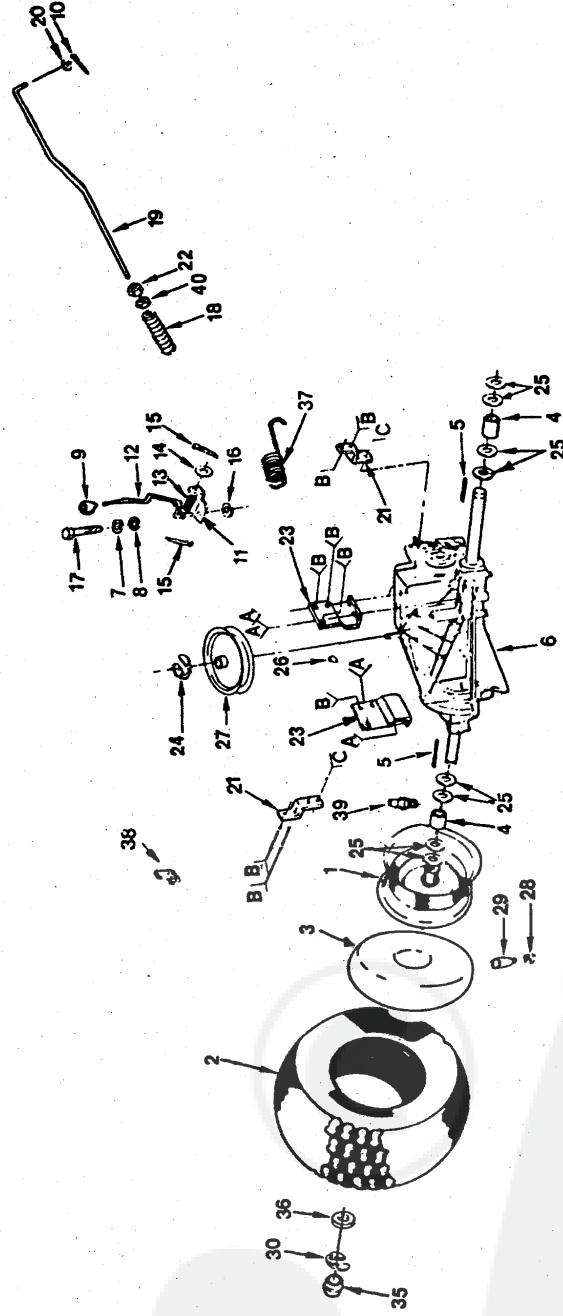
Note: All component dimensions given in U.S. inches.
1 inch = 25.4mm



REPAIR PARTS

12 HP 38" LAWN TRACTOR -- MODEL NUMBER YE1238E

TRANSAXLE AND REAR WHEEL



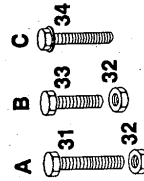
REPAIR PARTS

12 HP 38" LAWN TRACTOR - - MODEL NUMBER YE1238E

TRANSAXLE AND REAR WHEEL

KEY PART NO. NO.	DESCRIPTION	KEY PART NO. NO.	DESCRIPTION
1	106108X361 Assembly, Rim	23	109167X Bracket, Transaxle
2	106268X Tire, Tubeless	24	12000028 Ring, Retainer
3	7152J Tube, Tire	25	Washer 25/32 x 1-1/4 x 16 Ga.
4	109502X Spacer, Split	26	2228M Woodruff Key 3/16 x 3/4
5	123583X Key, Square 3/16 x 2	27	123666X Pulley, Input Transaxle
6	120898X Transaxle, Foote, 6 speed	28	Cap, Valve
7	10040400 Washer, Lock 1/4	29	59192 Stem, Valve
8	19091210 Washer 9/32 x 3/4 x 10 Ga.	30	12000001 E-Ring
9	121274X Knob, Control	31	74760644 Bolt, Hex 3/8-16 x 2-3/4
10	76020412 Pin, Cotter 1/8 x 3/4	32	73680600 Locknut 3/8-16
11	106919X Plate, Rod, Shift	33	74760612 Bolt, Hex 3/8-16 x 3/4
12	124461X Rod, Shifter	34	17490512 Screw, Hex Washer Hd, Thd, Form, Type TT 5/16-18 UNC x 3/4
13	105700X Spring, Torsion	35	104757X Cap, Hub, Rear
14	19151216 Washer 15/32 x 3/4 x 16 Ga.	36	121748X Washer 25/32 x 1-5/8 x 16 Ga.
15	76020416 Pin, Cotter 1/8 x 1	37	110422X Spring, Brake Return
16	105701X Washer, Shift Plate	38	2751R Clip, Line, Fuel
17	71040412 Bolt, Hex 1/4-28 x 3/4 Grade 8	39	278H Fitting, Grease
18	106888X Spring, Rod, Brake	40	73800600 Locknut, Hex w/Washer 3/8-16 UNC
19	110437X Rod, Brake		
20	19131316 Washer 13/32 x 13/16 x 16 Ga.		
21	121520X Strap, Torque		
22	73350600 Nut, Hex Jam 3/8-16		

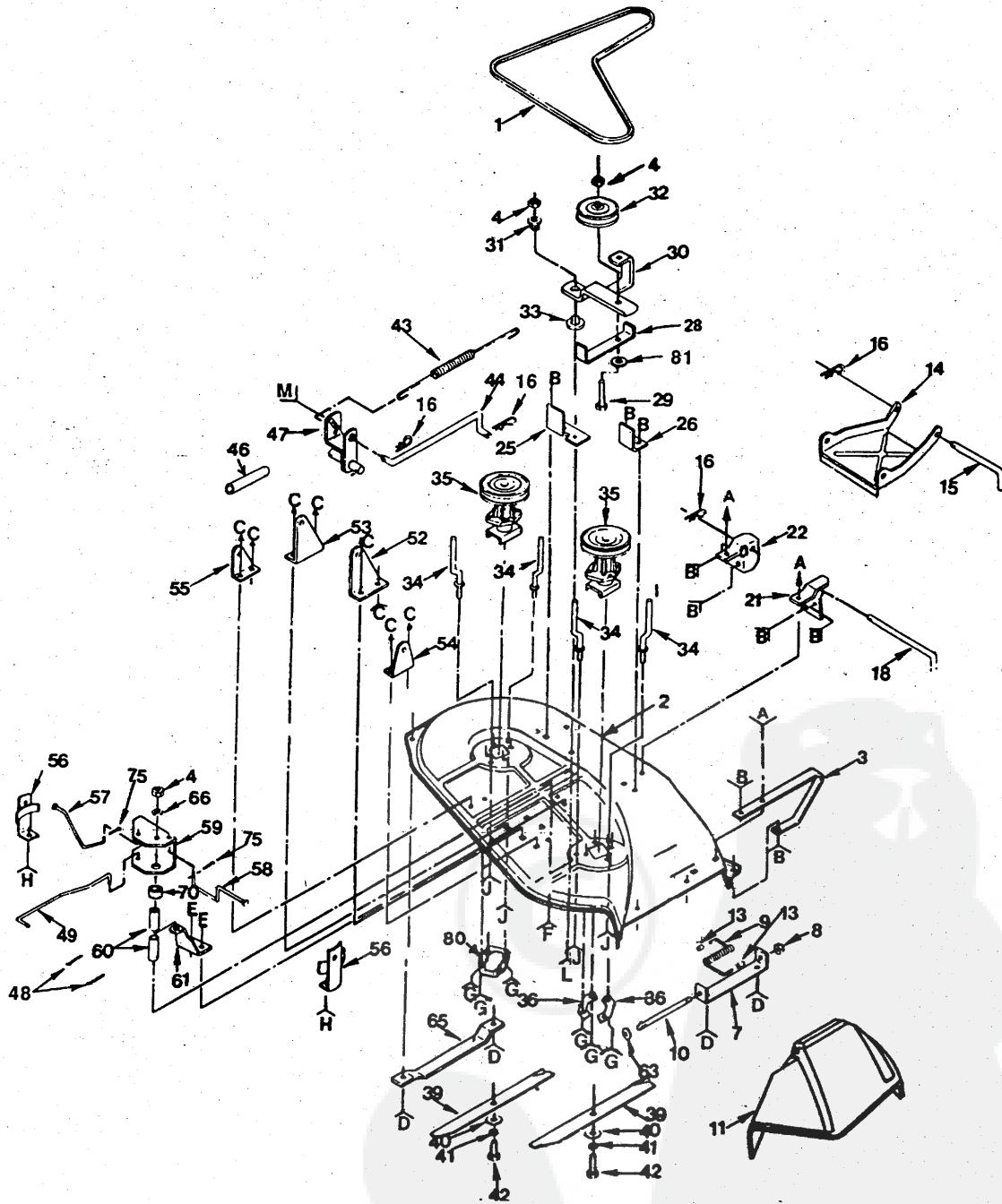
NOTE: All component dimensions given in U. S. inches. 1 inch = 25.4 mm



REPAIR PARTS

12 HP 38" LAWN TRACTOR - - MODEL NUMBER YE1238E

MOWER



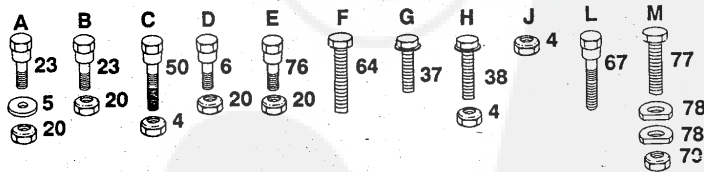
REPAIR PARTS

12 HP 38" LAWN TRACTOR -- MODEL NUMBER YE1238E

MOWER

KEY PART NO. NO.	DESCRIPTION	KEY PART NO. NO.	DESCRIPTION
1	106085X V-Belt	42	74610624 Bolt, Hex 3/8-24 x 1-1/2 Grade 5
2	121259X Housing	43	108250X Spring, Ext.
3	8417J Runner, R.H.	44	108235X Rod, Clutch, Mower
4	73680600 Locknut 3/8-16	46	6404J Spacer 1/2 x 9/16
5	19111216 Washer 11/32 x 3/4 x 16 Ga.	47	124066X Rock Shaft Assembly
6	72140505 Bolt, Carriage 5/16-18 x 5/8	48	76020616 Pin, Cotter 3/16 x 1
7	105896X Bracket, Deflector	49	108247X Rod, Brake, Primary
8	110452X Nut, Push	50	72140606 Bolt, Carriage 3/8-16 x 3/4
9	106734X Spring, Deflector	52	108243X Bracket, Pivot, R.H.
10	106735X Rod, Hinge	53	108241X Bracket, Pivot, L.H.
11	106736X Deflector, Shield	54	105857X Bracket, Susp., Rear, R.H.
13	105304X Cap	55	108673X Bracket, Susp., Rear, L.H.
14	129762 Link, Parallel	56	106578X Brake Assembly
15	105744X Pin, Hinge, Front	57	106463X Rod, Brake, Secondary, L.H.
16	4921H Spring, Retainer	58	108249X Rod, Brake, Secondary, R.H.
18	109835X Pin, Hinge, Rear	59	106456X Bracket, Brake, Pivot
20	73680500 Locknut 5/16-18	60	100672K Spacer, Brake
21	109598X Bracket, Lift, R.H.	61	100673L Bracket, Support
22	109597X Bracket, Lift, L.H.	63	19111016 Washer 11/32 x 5/8 x 16 Ga.
23	72140506 Bolt, Carriage 5/16-18 x 3/4	64	74760688 Bolt 3/8-16 x 5-1/2
25	109503X Support, Arm	65	7631J Runner, L.H.
26	109504X Stop, Deck, Front	66	19131614 Washer 13/32 x 1 x 14 Ga.
28	126756X Guide, Belt	67	72140610 Bolt, Carriage 3/8-16 x 1-1/4
29	74760632 Bolt 3/8-16 x 2	70	122314X Spacer
30	127163X Arm, Idler Assembly	75	76020308 Pin, Cotter 3/32 x 1/2
31	106902X Spacer	76	72110506 Bolt, Carriage 5/16-18 x 3/4
32	123688X Pulley, Idler	77	74760412 Bolt, Hex 1/4-20 x 3/4
33	106513X Washer, Wear 1/16	78	109893X Washer, Special
34	102669X Keeper, Belt	79	73680400 Locknut 1/4-20
35	121676X Mandrel Assembly	80	110445X Plate, Support, L.H.
36	100668L Plate, Support, Mandrel	81	19131316 Washer 13/32 x 13/16 x 16 Ga.
37	17490614 Screw, Hex Washer Hd. 3/8-16 x 7/8	—	123928X Mower, Deck, Complete
38	17490620 Screw, Hex, Washer, Head 3/8-16 x 1-1/4	—	105814X Decal, V-Belt, Mower, Drive
39	122264X Blade	—	121349X Decal, Danger Warning, Cut Finger
40	19132012 Washer 13/32 x 1-1/4 x 12 Ga.	—	109820X Decal, Instruction, Caution, Rotating Blades
41	10030600 Washer, Lock 3/8		

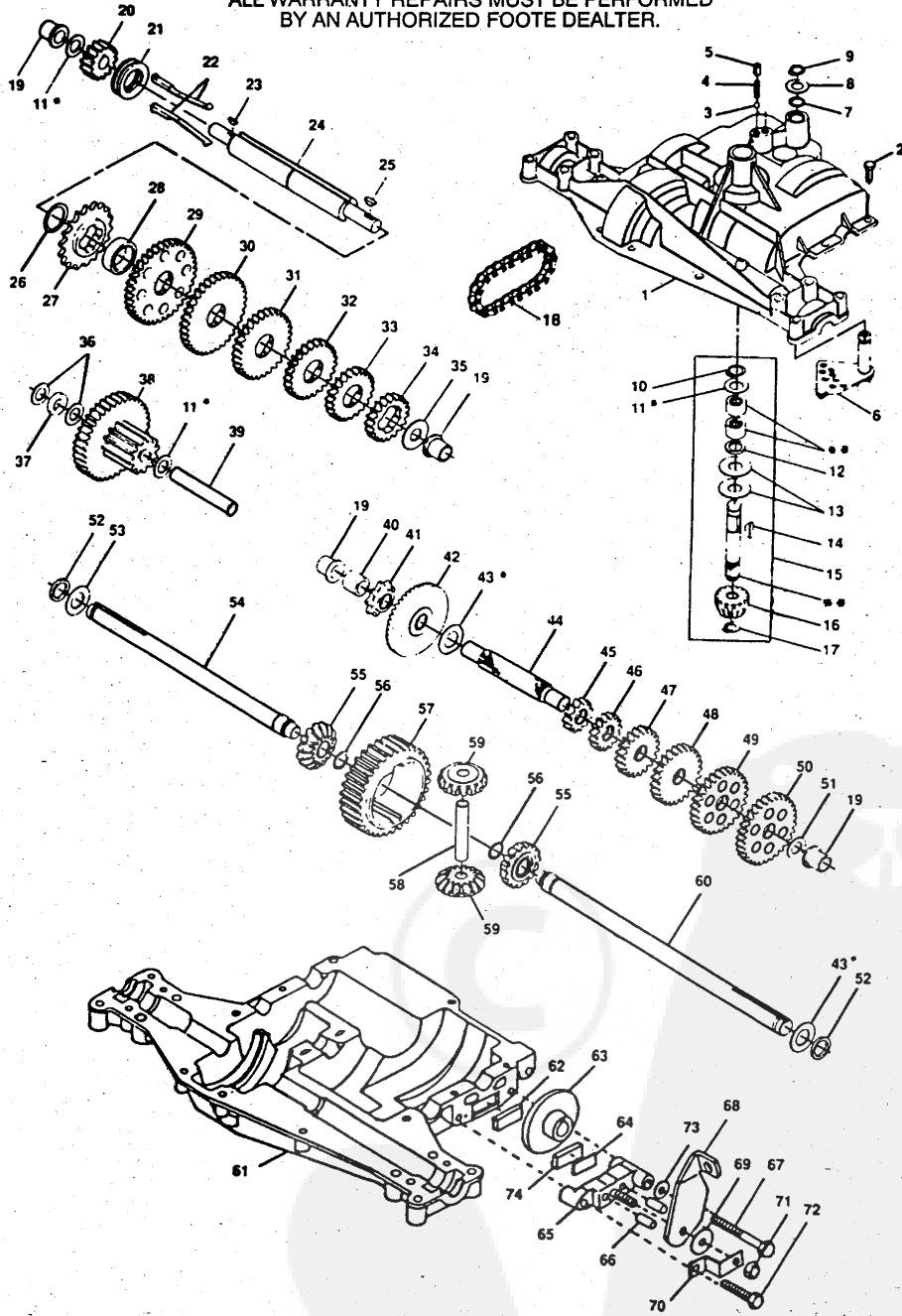
NOTE: All component dimensions given in U. S. inches.
1 inch = 25.4 mm



REPAIR PARTS

**12 HP 38" LAWN TRACTOR - - MODEL NUMBER YE1238E
TRANSAXLE FOOTE - MODEL NUMBER 4360-7**

ALL WARRANTY REPAIRS MUST BE PERFORMED
BY AN AUTHORIZED FOOTE DEALER.



REPAIR PARTS

12 HP 38" LAWN TRACTOR - - MODEL NUMBER YE1238E TRANSAXLE FOOTE - MODEL NUMBER 4360-7

KEY PART NO.	KEY PART NO.	DESCRIPTION	KEY PART NO.	DESCRIPTION
1	3865	Housing, Upper	40	Spacer .635 x .875 x .755
2	1919	Screw, Tapping, Lg. 1/4-20 x .734	41	Sprocket, 9 Teeth
3	1151	Ball, Detent	42	Gear, Bevel, 42 Teeth
4	3626	Spring, Detent	43	*Washer, Plain .758 x 1.12 x .010
5	3623	Screw, Set	43	*Washer, Plain .758 x 1.12 x .015
6	4336	Assembly, Shifter	43	*Washer, Plain .758 x 1.12 x .020
7	3884	O-Ring	43	*Washer, Plain .758 x 1.12 x .025
8	3885	*Washer, Plain .505 x .942 x .006	43	*Washer, Plain .758 x 1.25 x .020
8	3886	*Washer, Plain .505 x .942 x .010	43	*Washer, Plain .758 x 1.25 x .025
8	3887	*Washer, Plain .505 x .942 x .015	43	*Washer, Plain .758 x 1.25 x .031
8	3888	*Washer, Plain .505 x .942 x .020	43	*Washer, Plain .758 x 1.25 x .035
8	3889	*Washer, Plain .505 x .942 x .026	43	*Washer, Plain .758 x 1.25 x .040
8	3121	*Washer, Plain .505 x .942 x .030	43	*Washer, Plain .758 x 1.25 x .045
8	3890	*Washer, Plain .505 x .942 x .040	43	*Washer, Plain .758 x 1.25 x .050
9	1100	Ring, Retaining	43	*Washer, Plain .758 x 1.25 x .055
10	1099	Ring, Retaining	43	*Washer, Plain .758 x 1.25 x .062
11	1959	*Washer, Plain .632 x 1.00 x .010	44	Shaft, Drive
11	1441	*Washer, Plain .632 x 1.00 x .020	45	Gear, Spur, 12 Teeth
11	1423	*Washer, Plain .632 x 1.00 x .026	46	Gear, Spur, 15 Teeth
11	1082	*Washer, Plain .632 x 1.00 x .031	47	Gear, Spur, 20 Teeth
11	1424	*Washer, Plain .632 x 1.00 x .036	48	Gear, Spur, 25 Teeth
11	1068	*Washer, Plain .632 x 1.00 x .041	49	Gear, Spur, 28 Teeth
11	1425	*Washer, Plain .632 x 1.00 x .046	50	Gear, Spur, 31 Teeth
11	1358	*Washer, Plain .632 x 1.00 x .050	51	Washer, Plain .632 x 1.00 x .060
11	1145	*Washer, Plain .632 x 1.00 x .060	52	Seal, Felt
11	1319	*Washer, Plain .632 x 1.00 x .082	53	Washer, Plain .758 x 1.25 x .062
12	3312	O-Ring	54	Axle, L.H.
13	3876	Washer, Plain .632 x 1.38 x .046	55	Gear, Miter, 15 Teeth
14	1374	Key, Woodruff #9	56	Ring, Retaining
15	4134	Assembly, Kit, Input Shaft	57	Gear, Spur, 32 Teeth
16	3590	Pinion, Bevel, 14 Teeth	58	Shaft, Cross
17	3624	Ring, Retaining	59	Gear, Miter, 15 Teeth
18	3625	Chain, 24 Pitches	60	Axle, R.H.
19	1542	Bearing, Flange	61	Housing, Lower
20	3773	Gear, Spur, 14 Teeth	62	Puck, Friction
21	3631	Collar, Clutch	63	Disc, Brake
22	3828	Key, Clutch	64	Spacer
23	1369	Key, Woodruff	65	Jaw, Brake
24	3883	Shaft, Intermediate	66	Pin, Dowel
25	1375	Key, Woodruff #61	67	Screw, Tapping, Lg. 5/16-18 x 2.25
26	3627	Ring, Retaining	68	Lever, Actuating
27	3830	Sprocket, 18 Teeth	69	Washer, Plain .321 x 1.00 x .055
28	3841	Spacer	70	Bracket, Anti-Rotation
29	3786	Gear, Spur, 37 Teeth	71	Locknut 5/16-24
30	3785	Gear, Spur, 35 Teeth	72	Screw, Tapping, Lg. 5/16-18 x 1.44
31	3867	Gear, Spur, 30 Teeth	73	Washer, Plain .343 x .81 x .059
32	3783	Gear, Spur, 25 Teeth	74	Puck, Friction
33	3869	Gear, Spur, 22 Teeth	75	Grease
34	3741	Gear, Spur, 19 Teeth		
35	3628	Washer, Plain .640 x 1.37 x .061		
36	1423	Washer, Plain .632 x 1.00 x .026		
37	3422	Spacer .630 x 1.00 x .169		
38	4286	Assembly, Gear, Combination 12 Teeth and 35 Teeth		
39	3877	Shaft, Idler		

*Use in various combinations to maintain proper clearances.

**Order Key No. 15.

NOTE: All component dimensions given in U.S. inches
1 inch = 25.4 mm

LIMITED WARRANTY

The Manufacturer warrants to the original consumer purchaser that this product as manufactured is free from defects in materials and workmanship. For a period of two (2) years from date of purchase by the original consumer purchaser, we will repair or replace, at our option, without charge for parts or labor incurred in replacing parts, any part which we find to be defective due to materials or workmanship. This Warranty is subject to the following limitations and exclusions.

1. This warranty does not apply to the engine, transaxle/transmission components, battery (except as noted below) or components parts thereof. Please refer to the applicable manufacturer's warranty on these items.
2. Transportation charges for the movement of any power equipment unit or attachment are the responsibility of the purchaser. Transportation charges for any parts submitted for replacement under this warranty must be paid by the purchaser unless such return is requested by American Yard Products, Inc.
3. Battery Warranty: On products equipped with a Battery, we will replace, without charge to you, any battery which we find to be defective in manufacture, during the first year of ownership. After one year, we will exchange the Battery, charging you 1/12 of the price of a new Battery for each full month after one (1) year from the date of the original sale. Battery must be maintained in accordance with the instructions furnished.
4. The Warranty period for any products used for rental or commercial purposes is limited to 90 days from the date of original purchase.
5. This Warranty applies only to products which have been properly assembled, adjusted, operated, and maintained in accordance with the instructions furnished. This Warranty does not apply to any product which has been subjected to alteration, misuse, abuse, improper assembly or installation, delivery damage, or to normal wear of the product.
6. Exclusions: Excluded from this Warranty are belts, blades, blade adapters, normal wear, normal adjustments, standard hardware and normal maintenance.
7. In the event you have a claim under this Warranty, you must return the product to an authorized service dealer.

Should you have any unanswered questions concerning this Warranty, please contact:

In U.S.A. contact:
American Yard Products, Inc.
Service Department
P.O. Box 370
McRae, GA 31055

In Canada contact:
AYP Canada, Inc.
1040 Jayson Court
Mississauga, Ontario
L4W 2V5

International contact:
American Yard Products, Inc.
Service Department
P.O. Box 1687
Orangeburg, SC 29116 USA

giving the model number, serial number and date of purchase of your product and the name and address of the authorized dealer from whom it was purchased.

THIS WARRANTY DOES NOT APPLY TO INCIDENTAL OR CONSEQUENTIAL DAMAGES AND ANY IMPLIED WARRANTIES ARE LIMITED TO THE SAME TIME PERIODS STATED HEREIN FOR OUR EXPRESSED WARRANTIES. Some areas do not allow the limitation of consequential damages or limitations of how long an implied Warranty may last, so the above limitations or exclusions may not apply to you. This Warranty gives you specific legal rights, and you may have other rights which vary from locale to locale.

This is a limited Warranty within the meaning of that term as defined in the Magnuson-Moss Act of 1975.