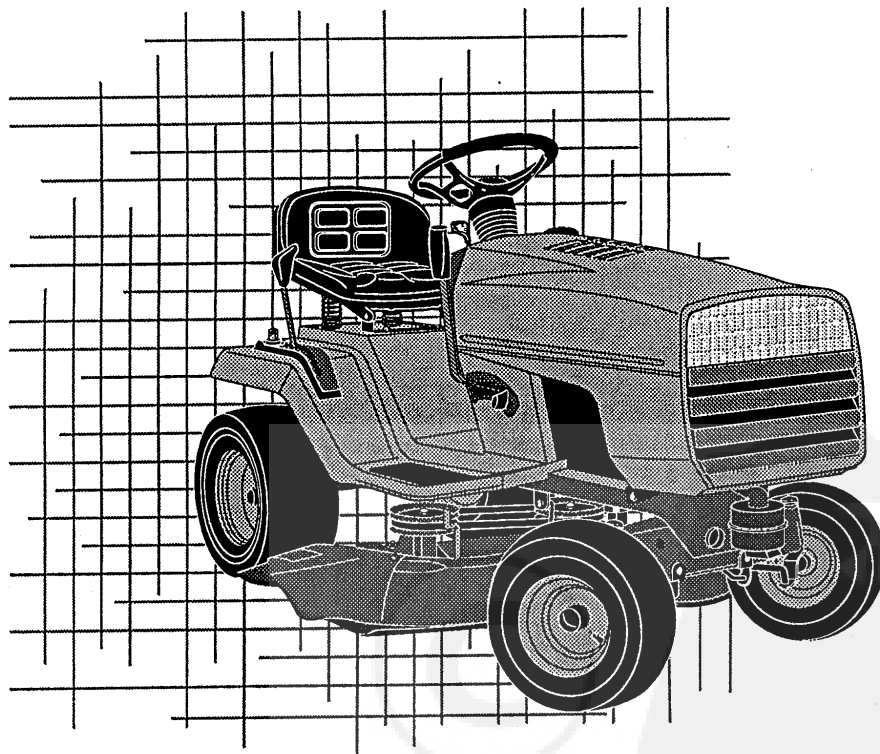


ILLUSTRATED PARTS MANUAL

IMPORTANT INFORMATION

DO NOT THROW AWAY

LAWN RIDER MODEL-VTLR120AE



VERTS LOISIRS

HOW TO USE THIS MANUAL

This manual is designed to provide the customer with a means to identify the parts on his/her tractor when ordering repair parts. The illustrations may or may not represent the actual assemblies; therefore it is not recommended to use this manual as a guide to assemble or disassemble the tractor. Some hardware and parts are drawn larger in order to more readily identify them.

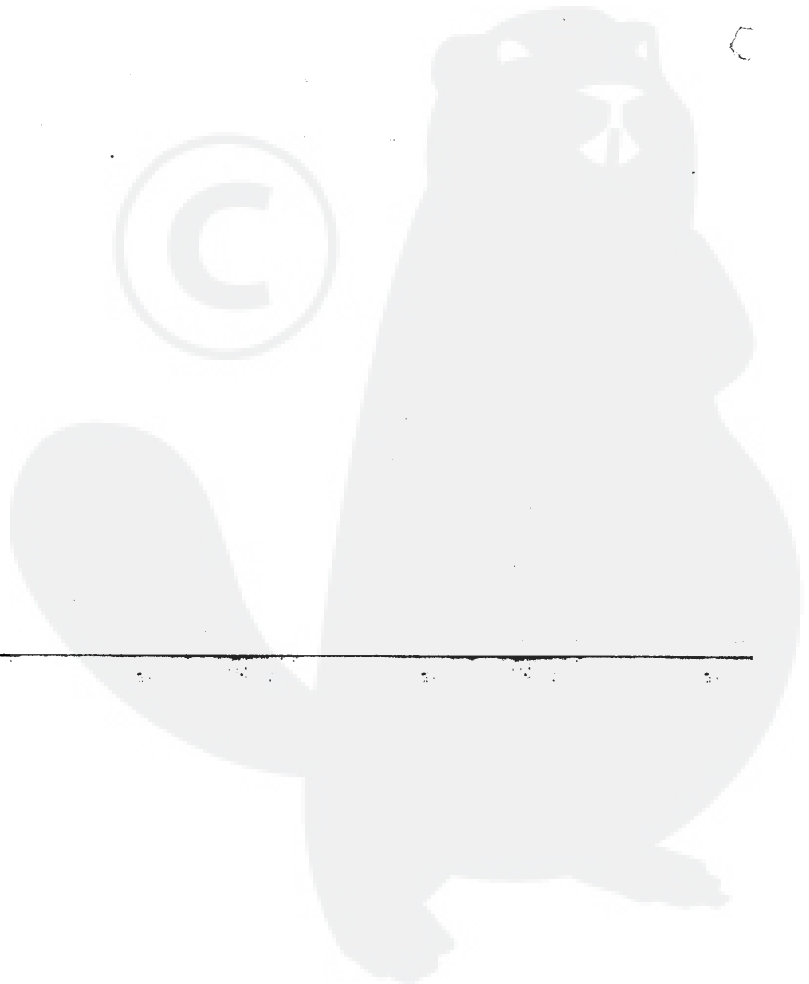
Each tractor has its own model number. Each engine has its own model number.

The model number for your tractor can be found on the fender under the seat.

The model number for your engine can be found on the engine blower housing above the spark plug.

When ordering parts, always give the following information:

- Product – "Lawn Rider"
- Model Number – "VTLR120AE"
- Engine Model Number – 281707 Type Number– 0412– 01
- Part Number
- Part Description



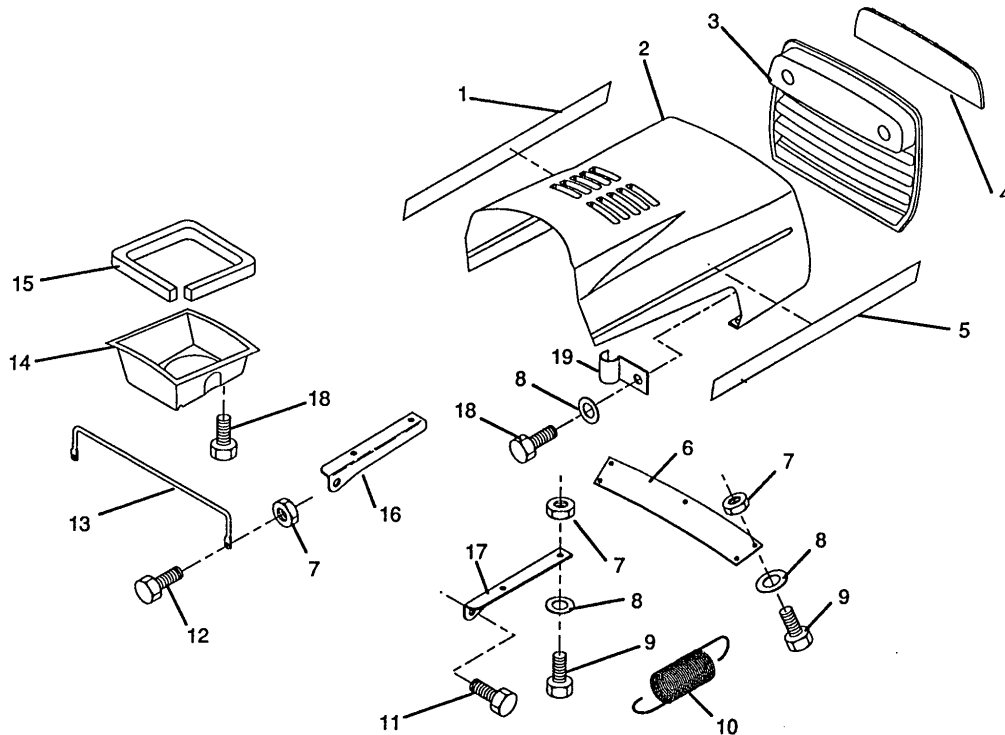
ILLUSTRATED PARTS BREAKDOWN

TABLE OF CONTENTS

DASH	5
ENGINE / THROTTLE	10
ELECTRICAL	18
FENDER / CHASSIS	3
FRONT AXLE	8
GROUND DRIVE	11
HOOD	2
MOWER LIFT LEVER	13
MOWER DECK	14 – 17
PARKING BRAKE / REAR MOWER LIFT ASM.	9
SEAT	4
SECTOR GEAR / AXLE SUPPORT	7
STEERING WHEEL	6
TRANSAXLE	12

ILLUSTRATED PARTS BREAKDOWN

HOOD

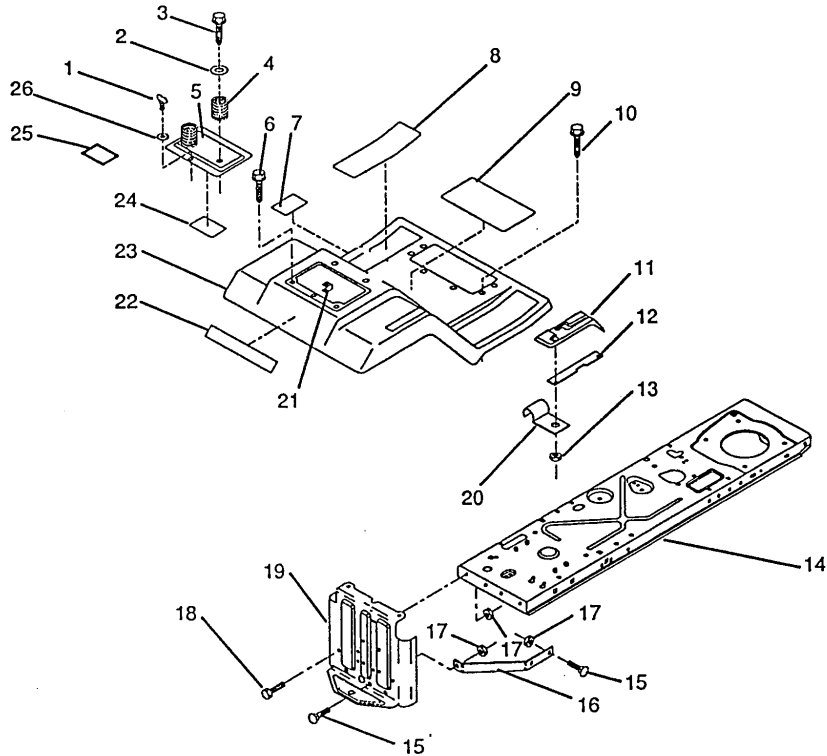


KEY NO.	PART NO.	DESCRIPTION	KEY NO.	PART NO.	DESCRIPTION
1	126433X	Decal, L.H. Hood Stripe	11	126675X	Bolt, Thrd. Forming Shoulder
2	122032X366	Hood	12	74780412	Bolt, Hex Fin. 14-20 x 3/4 Gr.5
3	122034X	Grill	13	123693X	Brace, Hood
4	122035X	Lens	14	123840X	Duct, Air
5	126434X	Decal, R.H. Hood Stripe	15	120537X	Strip, Foam
6	122550X366	Strap, Grill	16	122548X	Bracket, Hood L.H.
7	73510400	Nut, Hex Keps 1/4-20 UNC	17	122549X	Bracket, Hood R.H.
8	19091016	Washer, 9/32 x 5/8 x 16 Ga.	18	17411310	Screw, Fin. Hex
9	74780410	Bolt, Hex Fin. 5 1/4 x 20 UNC 5/8 Gr.5	19	2751R	Clip, Fuel Line
10	124657X	Extention, Spring			

HARDWARE SHOWN LARGER FOR EASIER IDENTIFICATION

ILLUSTRATED PARTS BREAKDOWN

FENDER / CHASSIS

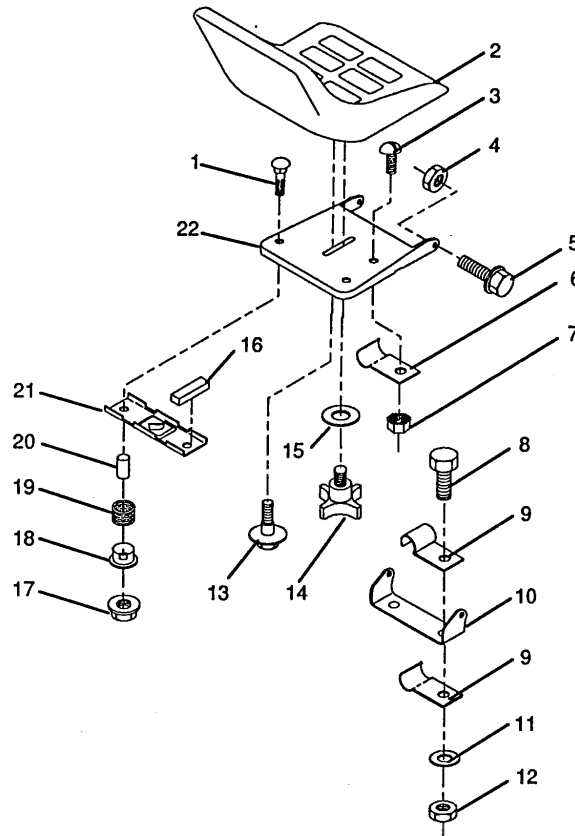


KEY NO.	PART NO.	DESCRIPTION	KEY NO.	PART NO.	DESCRIPTION
1	123650X	Stud 1/4 Turn	14	123645X	Assembly, Frame
2	19132012	Washer 13/32 x 1- 1/4 x 12 Ga.	15	72140506	Bolt, Carriage 5/16-18 UNC x 3/4
3	17490612	Screw, Hex Wsh. Thrdrol. 3/8-16 x 3/4	16	123379X	Brace, Drawbar
4	124181X	Spring, Compression, Seat	17	73680500	Nut, Crownlock 5/16-18
5	122008X366	Door, Fender	18	74760512	Bolt, Hex Hd. 5/16-18 UNC x 3/4
6	17490508	Screw, Hex Wsh. Thrdrol. 5/16-18 x 1/2	19	121904X	Drawbar
7	123408X	Decal, Ground Drive Schematic	20	126470X	Clip, Insulated
8	124144X	Pad, Footrest	21	105839X	Receptacle 1/4 Turn
9	123637X	Decal, Operating Instructions	22	126069X	Decal, Fender
10	17490512	Screw, Hex Wsh. Thrdrol. 5/16-18 x 3/4	23	124332X366	Fender/Footrest
11	126220X	Console, Shift Control	24	121549X	Decal, Battery Caution
12	124307X	Bar, Shift Lock	25	125690X	Decal, 100 DBA
13	120579X	Pin, Retainer	26	105838X	Retainer 1/4 Turn

HARDWARE SHOWN LARGER FOR EASIER IDENTIFICATION

ILLUSTRATED PARTS BREAKDOWN

SEAT

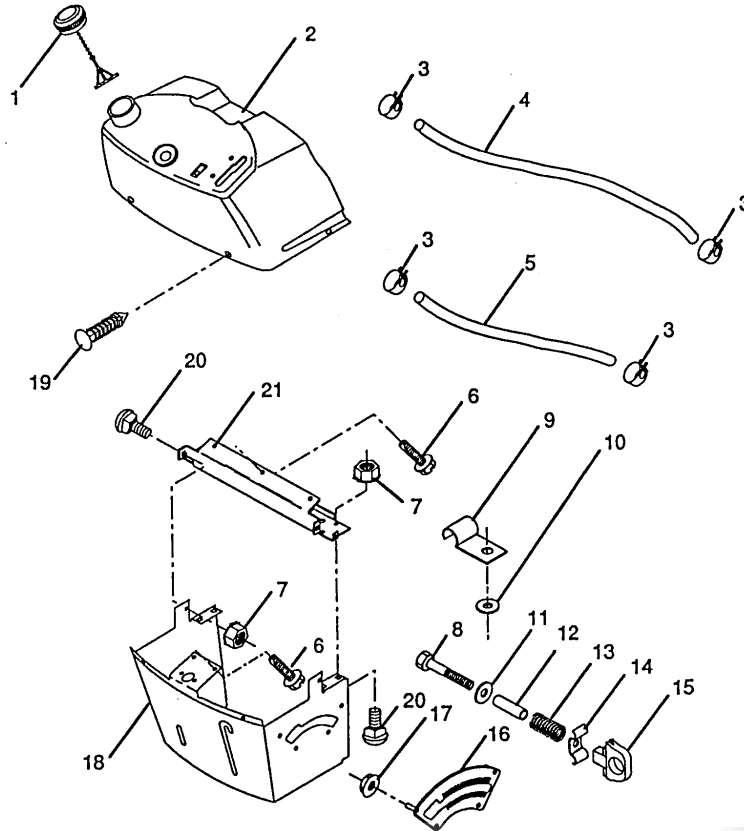


KEY NO.	PART NO.	DESCRIPTION	KEY NO.	PART NO.	DESCRIPTION
1	72170410	Bolt, Carriage 1/4-20 x 1 1/4	12	73680600	Nut, Crownlock 3/8-16 UNC
2	121442X	Seat	13	121144X	Bolt, Shoulder
3	74641008	Screw, Slotted Pan Head 10-32 x 1/2	14	120068X	Knob, Seat 1/2"
4	73680500	Nut, Crownlock 5/16-18	15	19171912	Washer, 17/32 x 1 3/16 x 12 Ga.
5	105529X	Bolt, Shoulder 5/16-18 UNC	16	121251X	Strip, Foam
6	4171R	Clip, Insulated	17	123976X	Nut, Hex Large Flange Loc.
7	73951000	Nut, Keps 10-32 UNF	18	121248X	Bushing, Snap
8	74760612	Bolt, Fin. Hex 3/8-16 UNC x 3/4	19	121250X	Spring, Compression
9	126471X	Clip, Insulated	20	121249X	Spacer, Split 28 Id. x .88 Lg.
10	126656X	Bracket, Pivot Seat	21	121246X	Bracket, Switch, Mounting
11	19131210	Washer 13/32 x 3/4 x 10 Ga.	22	124294X	Pan, Seat

HARDWARE SHOWN LARGER FOR EASIER IDENTIFICATION

ILLUSTRATED PARTS BREAKDOWN

DASH

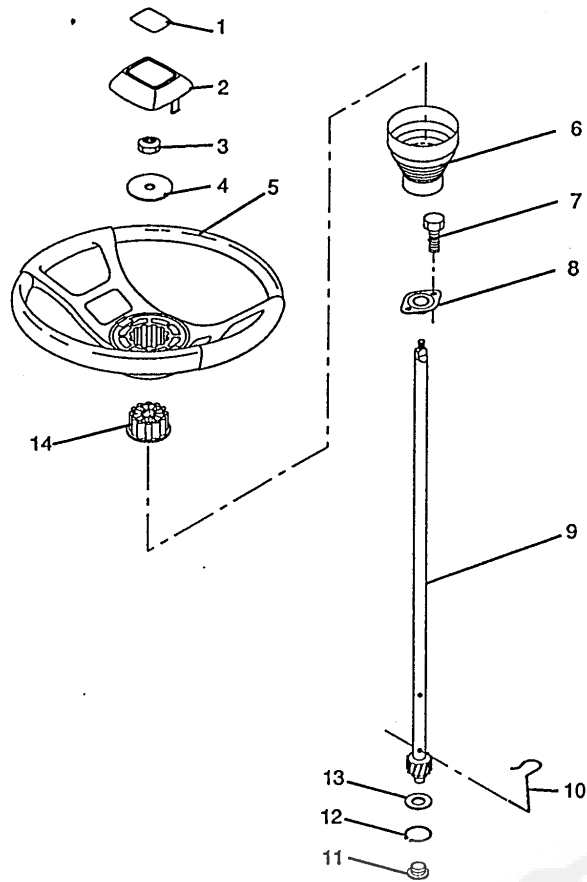


KEY NO.	PART NO.	DESCRIPTION	KEY NO.	PART NO.	DESCRIPTION
1	122015X	Cap, Fuel	12	123494X	Spacer, Split
2	124540X	Assembly, Dash & Fuel Tank	13	2876H	Spring
3	123487X	Clamp, Hose	14	123493X	Clip, Height Adjustment
4	8548R	Line, Fuel	15	126115X	Knob, Height Stop
5	8544R	Line, Fuel	16	122023X	Adjustment, Quadrant Height
6	17111312	Screw Hex Hd. Washer	17	124346X	Screw Self Thread 3/16-18
7	73510400	Nut, Hex Keps 1/4-20	18	121789X	Support, Dash
8	74760432	Bolt, Fin. Hex 1/4-20 x 2	19	122017X	Snap, Plastic
9	2751R	Clip, Fuel line	20	72110404	Bolt, Carriage 1/4-20 x 1/2 Gr.5
10	19091216	Washer 9/32 x 3/4 x 16 Ga.	21	122016X	Brace, Cross
11	19111116	Washer, 11/32 x 11/16 x 16 Ga.			

HARDWARE SHOWN LARGER FOR EASIER IDENTIFICATION

ILLUSTRATED PARTS BREAKDOWN

STEERING WHEEL



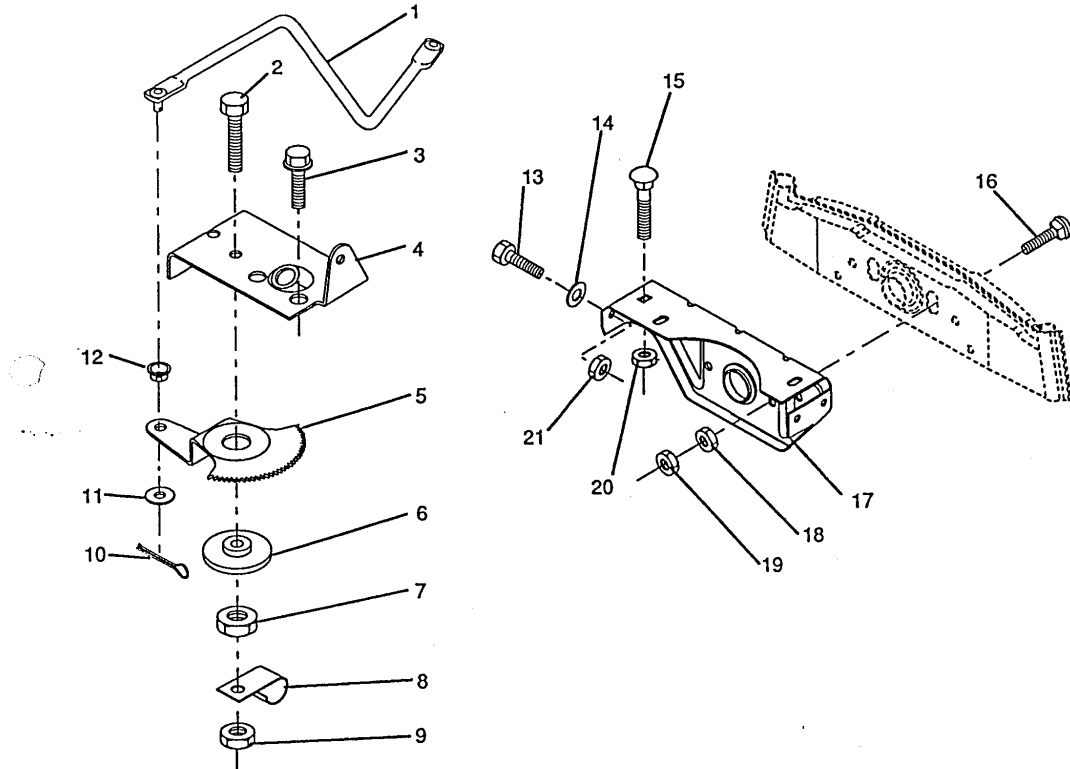
KEY NO.	PART NO.	DESCRIPTION
1	126451X	Decal, Steering Wheel
2	100710L	Insert, Wheel, Steering
3	7810H	Nut, Lock 3/8-24 UNF
4	19133808	Washer 13/32 x 2 3/8 x 8 Ga.
5	100713N	Wheel, Steering
6	121897X	Sleeve, Steering
7	17431008	Screw, Hex SLFTP #10-16 x 1/2 TY-B

KEY NO.	PART NO.	DESCRIPTION
8	102803X	Bushing, Steering
9	123651X	Shaft, Steering
10	124210X	Clip, Steering
11	123438X	Bushing, Lower, Steering
12	12000045	Ring, Retaining
13	19211616	Washer 21/32 x 1 x 16 Ga.
14	104820X	Adaptor, Wheel, Steering

HARDWARE SHOWN LARGER FOR EASIER IDENTIFICATION

ILLUSTRATED PARTS BREAKDOWN

SECTOR GEAR / AXLE SUPPORT

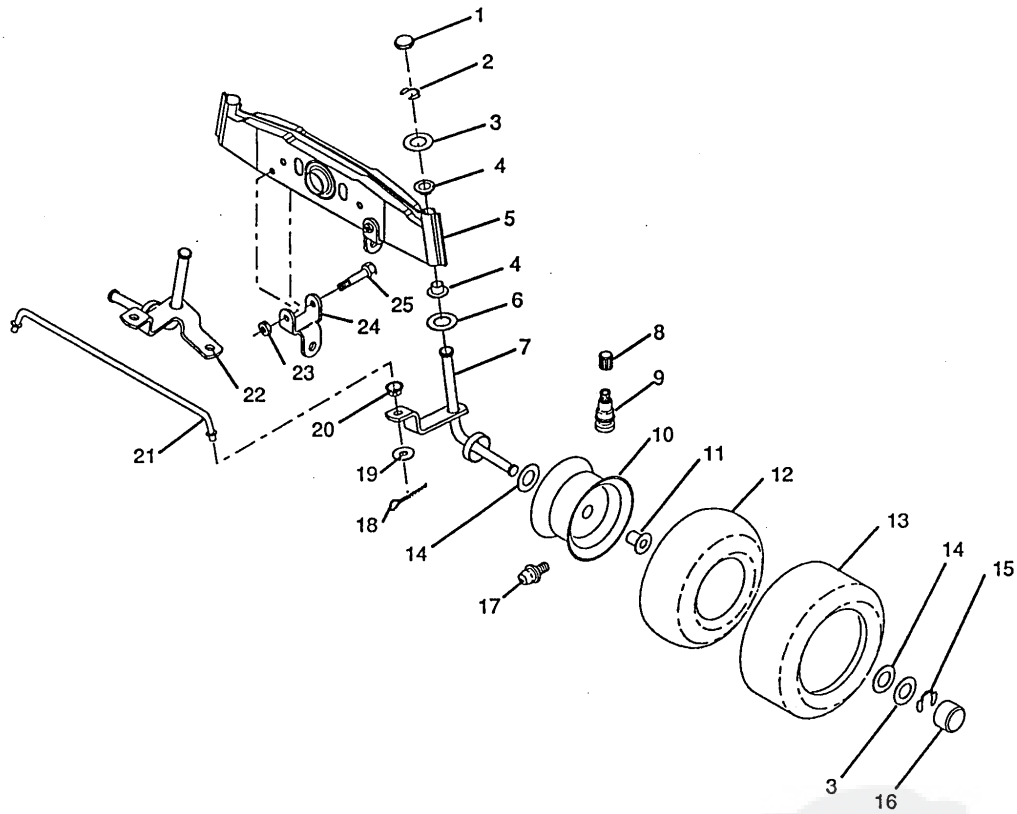


KEY NO.	PART NO.	DESCRIPTION	KEY NO.	PART NO.	DESCRIPTION
1	124093X	Link, Drag	11	19131316	Washer, 13/32 x 13/16 x 16 Ga.
2	74780828	Bolt, Fin. Hex 1/2-13 x 1 3/4	12	120754X	Bushing
3	17490508	Screw Hex Thrd 5/16-18 x 1/2	13	74760512	Bolt, Hex Hd. 5/16-18 UNC x 3/4
4	121925X	Plate, Steering Support	14	19111416	Washer 11/32 x 7/8 x 16 Ga.
5	121926X	Gear, Sector	15	72110606	Bolt, Carriage 3/8-16 UNC x 3/4
6	121927X	Bushing	16	72140622	Bolt, Carriage
7	73030800	Nut, Heavy Hex Top Lock 1/2-13 UNC	17	121912X	Support, Front Axle
8	126472X	Clip, Insulated	18	73220600	Nut, Fin. Hex 3/8-16 UNC
9	73680800	Nut, Crownlock 3/8-16	19	73930600	Nut, Centerlock 3/8-16 UNC
10	76020412	Pin, Cotter 1/8 x 3/4	20	73680600	Nut, Crownlock 3/8-16 UNC
			21	73680500	Nut, Crownlock 5/16-18

HARDWARE SHOWN LARGER FOR EASIER IDENTIFICATION

ILLUSTRATED PARTS BREAKDOWN

FRONT AXLE

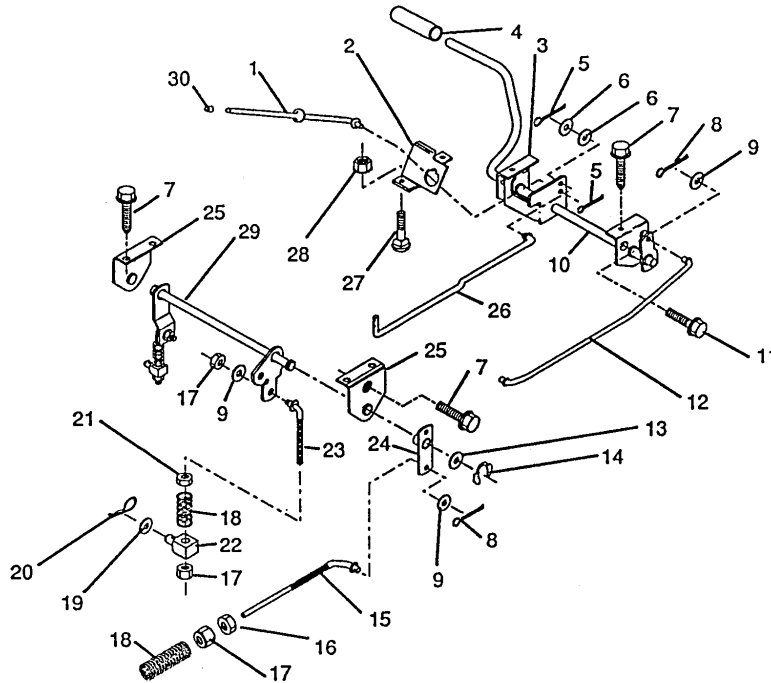


KEY NO.	PART NO.	DESCRIPTION	KEY NO.	PART NO.	DESCRIPTION
1	121232X	Cap, Spindle	14	121749X	Washer 25/32 x 1-1/4 x 16 Ga.
2	12000029	Ring, Clip	15	12000029	Ring, Clip
3	121748X	Washer 25/32 x 1-5/8 x 16 Ga.	16	104757X	Cap, Hub
4	121922X	Nyliner	17	278H	Fitting, Grease
5	121914X	Axle, Front	18	76020412	Pin, Cotter 1/8 x 3/4
6	6266H	Bearing, Thrust	19	19131316	Washer 13/32 x 13/16 x 16 Ga.
7	121919X	Spindle R.H. Asm.	20	120754X	Bushing
8	59192	Cap, Valve	21	121924X	Rod, Tie
9	65139	Stem, Valve	22	121916X	Spindle, L.H. Asm.
10	122394X311	Rim	23	73680500	Nut, Crownlock 5/16-18
11	9040H	Bearing, Flange	24	121915X	Bracket, Front Stabilizer Link
12	59904	Tube	25	74760540	Bolt, Hex, Fin. 5/16 x 18 UNC x 2-1/2
13	123410X	Tire, Front			

HARDWARE SHOWN LARGER FOR EASIER IDENTIFICATION

ILLUSTRATED PARTS BREAKDOWN

BRAKE / REAR MOWER LIFT ASSEMBLY

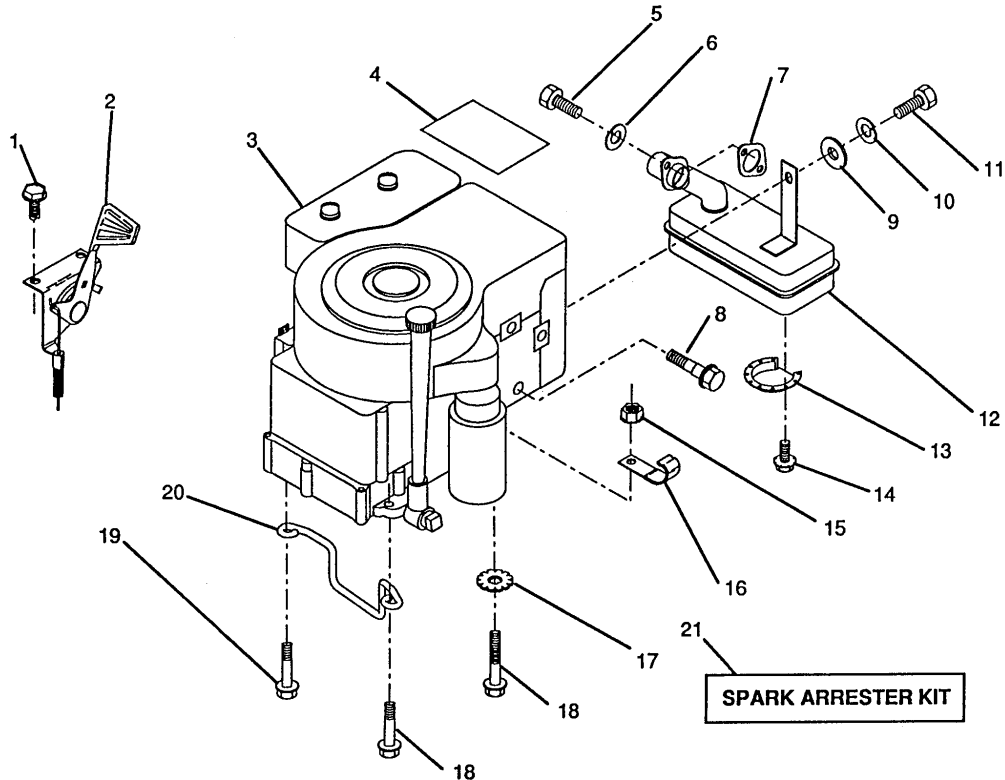


KEY NO.	PART NO.	DESCRIPTION	KEY NO.	PART NO.	DESCRIPTION
1	123436X	Rod, Parking Brake	16	73350600	Nut, Hex Jam 3/8-16 UNC
2	123437X	Bracket, Parking Brake	17	73680600	Nut, Crownlock 3/8-16 UNC
3	122504X	Bracket, L.H. Clutch Pedal	18	106888X	Rod, Spring Brake
4	8883R	Cover, Pedal	19	19132012	Washer 13/32 x 1 1/4 x 12 Ga.
5	76020312	Pin, Cotter	20	4921H	Spring, Retainer
6	19131016	Washer, 13/32 x 5/8 x 16 Ga.	21	73930600	Nut, Centerlock 3/8-16 UNC
7	17490508	Screw Hex Thdrol 5/16-18 x 1/2	22	106204X	Trunnion, Lift
8	76020412	Pin, Cotter	23	123672X	Link, Threaded
9	19131316	Washer 13/32 x 13/16 x 16 Ga.	24	123641X	Assembly, Brake Pivot Arm
10	124145X	Assembly, Clutch/Brake Pedal	25	121978X	Bracket, Lift Shaft
11	17490508	Screw Hex Thdrol. 5/16-18 x 1/2	26	123394X	Rod, Clutch
12	123543X	Rod, Front Brake	27	72110506	Bolt, Carriage 5/16-18 UNC x 3/4
13	19251816	Washer 25/32 x 1 1/8 x 16 Ga.	28	73510500	Nut, Keps 5/16-18 UNC
14	12000034	Ring, Clip	29	123547X	Assembly, Rear Mower Lift
15	126759X	Rod, Rear Brake	30	71673	Cap, Plunger

HARDWARE SHOWN LARGER FOR EASIER IDENTIFICATION

ILLUSTRATED PARTS BREAKDOWN

ENGINE / THROTTLE



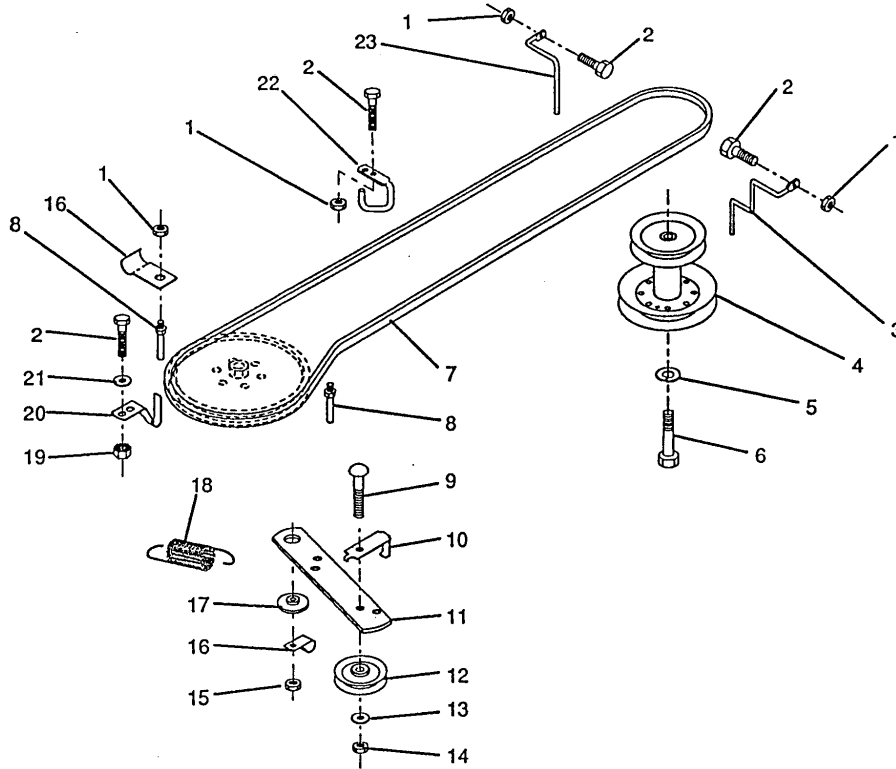
KEY NO.	PART NO.	DESCRIPTION
1	17720408	Screw, Hex, Thd. Cut 1/4-20 x 1/2
2	125985X	Control, Throttle
3	124136X	Engine, Briggs and Stratton
4	120601X	Decal, Engine, 12 HP
5	71070512	Screw, Hex, Cap 5/16-18 x 3/4
6	10040500	Washer, Lock, Heavy Helical Spring 5/16
7	125593X	Gasket, Exhaust
8	121094X	Bolt, Shoulder 5/16
9	19101216	Washer 5/16 x 3/4 x 16 Ga.
10	10040400	Washer Lock Heavy Helical Spring 1/4
11	74780412	Bolt, Hex, Fin. 1/4-20 UNC x 3/4

KEY NO.	PART NO.	DESCRIPTION
12	123676X	Muffer
13	101326L	Deflector, Muffer
14	17030808	Screw, Hex Spiderlock 8 x 1/2 ABTPS
15	73510600	Nut, Keps 3/8-16
16	2751R	Clip, Fuel Line
17	11050600	Washer, Lock, Ext. Tooth 3/8
18	17490632	Screw, Hex, Wsh. Hd., Thdrol. 3/8-16 x 2
19	17490624	Screw, Hex, Wsh. Hd., Thdrol. 3/8-16 x 1-1/2
20	126636X	Keeper, Ground Drive Belt Kit, Spark Arrestor (optional equipment)
21	121851X	

HARDWARE SHOWN LARGER FOR EASIER IDENTIFICATION

ILLUSTRATED PARTS BREAKDOWN

GROUND DRIVE

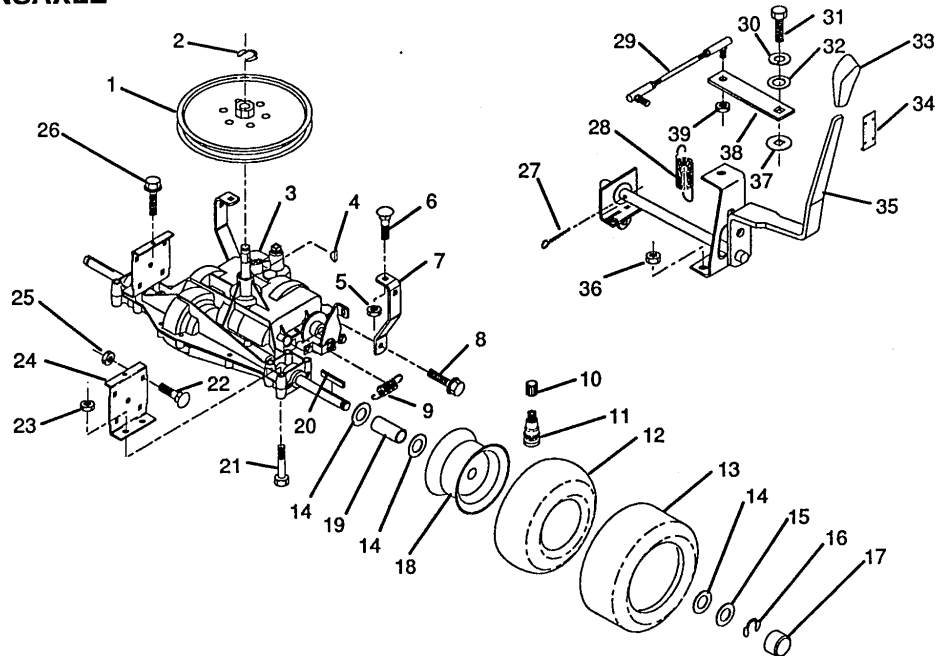


KEY NO.	PART NO.	DESCRIPTION	KEY NO.	PART NO.	DESCRIPTION
1	73680500	Nut, Crownlock 5/16-18	11	123395X	Arm, Ground Drive Clutch
2	74760512	Bolt, Hex Hd. 5/16-18 UNC x 3/4	12	4859J	Idler, Flat
3	123448X	Keeper, Engine Mower Drive R.H. Belt	13	19131316	Washer 13/32 x 13/16 x 16 Ga.
4	123400X	Pulley, Engine	14	73930600	Nut, Centerlock 3/8-16 UNC
5	10040700	Washer, Lock Hvy. Helical Spring 7/16	15	73680600	Nut, Crownlock 3/8-16 UNC
6	74770720	Bolt, Fin. Hex 7/16-20 UNF x 1 1/4	16	126471X	Clip, Insulated
7	124525X	Traction, V-Belt Drive	17	122052X	Spacer, Retainer
8	123405X	Keeper, T/A Ground Drive Belt	18	123397X	Spring, Extention
9	72140612	Bolt, Carriage 3/8-16 UNC x 1 1/2	19	73510500	Nut, Keps 5/16-18 UNC
10	123396X	Keeper, Belt Ground Drive Idler	20	123891X	Keeper, T/A Ground Drive Belt
			21	19111016	Washer 11/32 x 5/8 x 16 Ga.
			22	123404X	Keeper, Frame Ground Drive Belt
			23	123402X	Keeper, Engine Mower Drive L.H. Belt

HARDWARE SHOWN LARGER FOR EASIER IDENTIFICATION

ILLUSTRATED PARTS BREAKDOWN

TRANSAXLE

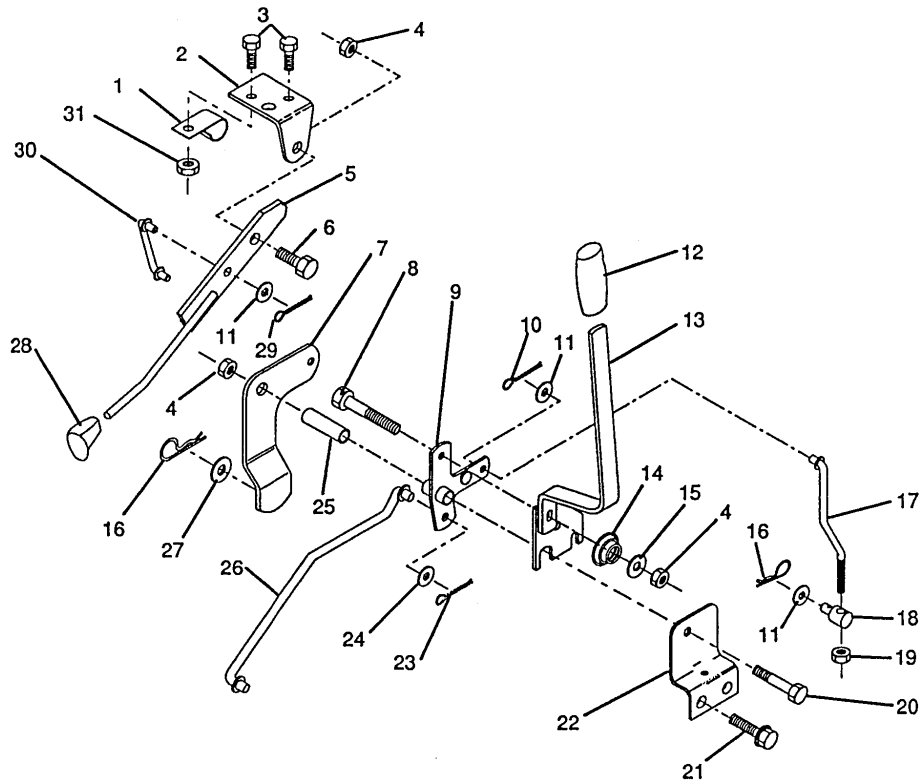


KEY NO.	PART NO.	DESCRIPTION	KEY NO.	PART NO.	DESCRIPTION
1	123385X	Pulley	22	72140506	Bolt, Carriage 5/16-18 UNC. x 3/4
2	12000028	Ring, Retainer	23	73680600	Nut, Crownlock 3/8-16
3	123483X	Transaxle	24	123377X	Bracket, Transaxle
4	2228M	Key, Woodruff #9	25	73680500	Nut, Crownlock 5/16-18
5	73680500	Nut, Crownlock 5/16-18	26	17490512	Screw, 5/16-18 x 3/4
6	72140506	Bolt, Carriage 5/16-18 UNC x 3/4	27	76020416	Pin, Cotter 1/8 X 1
7	123378X	Strap, Torque	28	123393X	Extension, Spring
8	17490508	Screw, Hex Thdrol. 5/16-18 x 1/2	29	123632X	Link, Shift
9	110442X	Spring, Brake	30	10040400	Washer, Lock Hvy. Helical Spring 1/4
10	59192	Cap, Valve	31	71040412	Bolt, Fin, Hex 1/4-28 UNF x 3/4 Gr.8
11	65139	Stem, Valve	32	19091210	Washer 9/32 x 3/4 x 10 Ga.
12	8134H	Tube	33	122011X	Knob, Shift Control
13	106230X	Tire, Rear	34	123692X	Knob, Retainer
14	121749X	Washer 25/32 x 1 1/4 x 16 Ga.	35	125976X	Assembly, Shift Handle
15	121748X	Washer, 25/32 x 1 5/8 x 16 Ga.	36	73510500	Nut, Keps 5/16-18
16	12000001	E-Ring	37	105701X	Washer, Shift Plate
17	104757X	Hub, Cap	38	123484X	Arm, Shift
18	123412X311	Rim	39	73810500	Nut, Hex Nylon 5/16-24
19	123409X	Spacer			
20	123583X	Key, Square			
21	74760644	Bolt, Fin, Hex 3/8-16 x 2 3/4			

HARDWARE SHOWN LARGER FOR EASIER IDENTIFICATION

ILLUSTRATED PARTS BREAKDOWN

MOWER LIFT LEVER

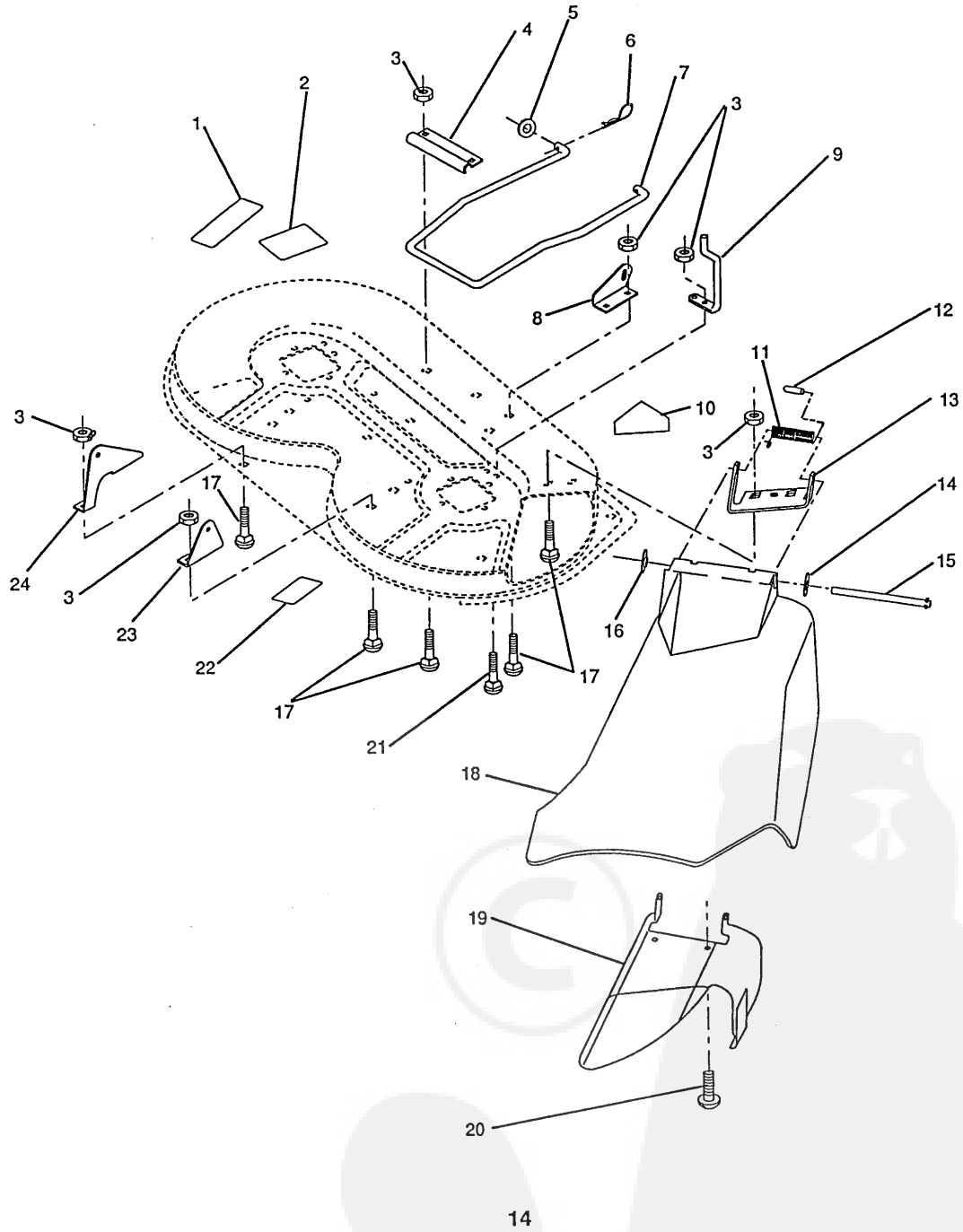


KEY NO.	PART NO.	DESCRIPTION	KEY NO.	PART NO.	DESCRIPTION
1	126470X	Clip, Insulated	17	123654X	Link, Front Lift
2	122018X	Bracket, Mower Clutch	18	7078J	Threaded, Trunnion 3/8-16
3	74780408	Bolt, Fin. Hex 1/4-20 Unc x 1/2 Gr.5	19	73350600	Nut, Hex Jam 3/8 x 16 UNC
4	73680600	Nut, Crownlock 3/8-16 UNC	20	74760644	Bolt, Fin. Hex 3/8-16 UNC x 2 3/4
5	123417X	Assembly, Clutch Lever	21	17490508	Screw, Hex Thdrol. 5/16-18 x 1/2
6	106451X	Bolt, Shoulder	22	121929X	Bracket, Mower Height
7	123491X	Assembly, Mower Clutch Arm	23	76020416	Pin, Cotter 1/8 x 1
8	74760636	Bolt, Hex 3/8-16 UNC x 2 1/4	24	19171616	Washer 17/32 x 1 x 16 Ga.
9	121930X	Assembly, Bellcrank Lift	25	121933X	Tube, Spacer
10	76020412	Pin, Cotter 1/8 x 3/4	26	121934X	Rod, Mower Lift
11	19131316	Washer, 13/32 x 13/16 x 16 Ga.	27	19131316	Washer, 13/32 x 13/32 x 16 Ga.
12	122027X	Grip, Handle	28	121466X	Knob
13	122741X	Assembly, Lift Handle	29	76020312	Pin, Cotter 3/32x3/4
14	123496X	Spring, Compression	30	123671X	Link, Mower Clutch
15	19131212	Washer, 13/32 x 3/4 x 12 Ga.	31	73680400	Nut, Crownlock 1/4-20
16	4921H	Retainer, Spring			

HARDWARE SHOWN LARGER FOR EASIER IDENTIFICATION

ILLUSTRATED PARTS BREAKDOWN

MOWER DECK



ILLUSTRATED PARTS BREAKDOWN

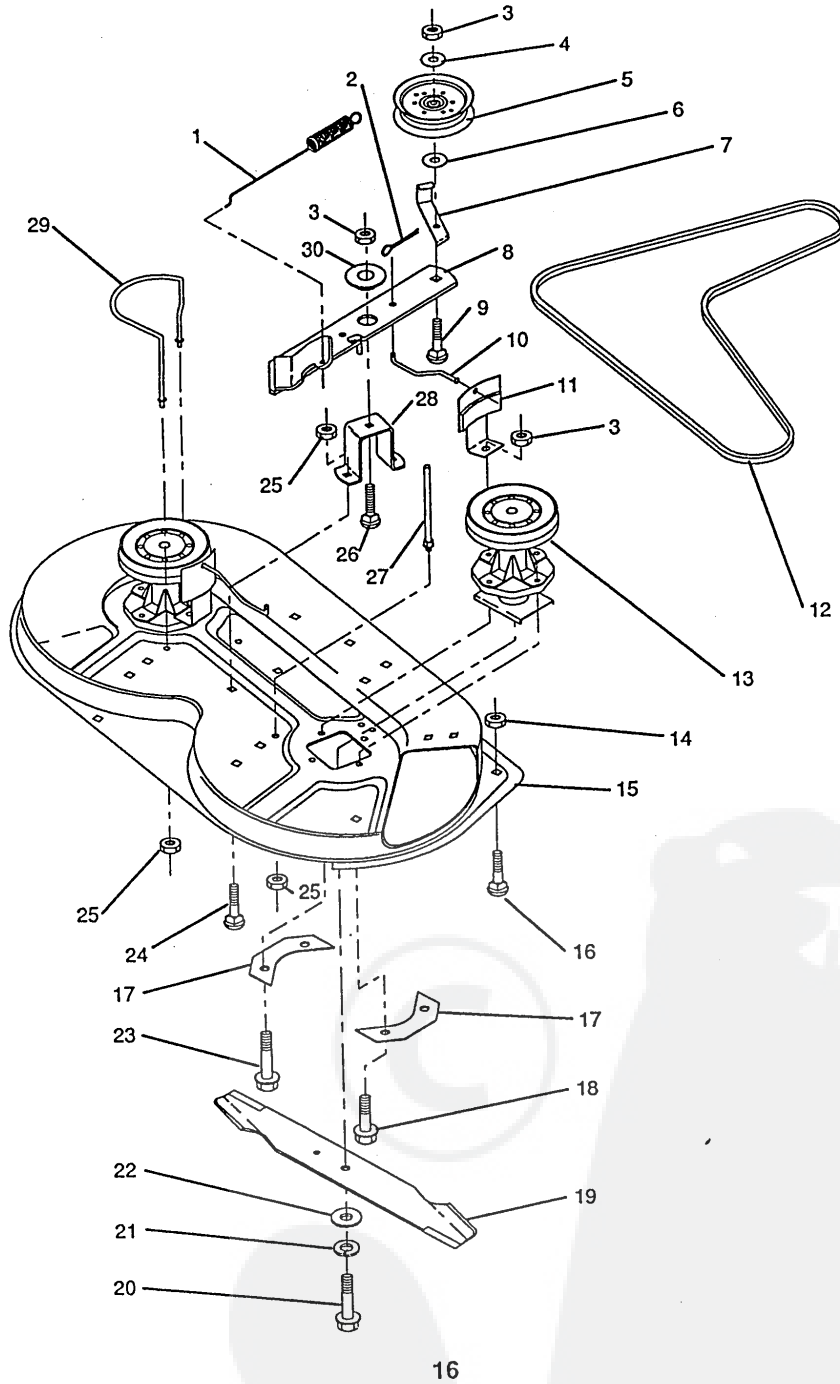
MOWER DECK

KEY NO.	PART NO.	DESCRIPTION	KEY NO.	PART NO.	DESCRIPTION
1	109820X	Decal, Caution	13	126361X	Bracket, Deflector
2	105814X	Decal, V-Belt Mower Drive	14	19111016	Washer 11/32 x 5/8 x 16 Ga.
3	73680500	Nut Crownlock 5/16-18	15	121980X	Rod, Hinge
4	122047X	Bracket, Stabilizer Link	16	110452X	Pushnut
5	19171713	Washer 17/32 x 1 1/16 x 13 Ga.	17	72140505	Bolt, Carriage 5/16-18 UNC x 5/8
6	4921H	Retainer, Spring	18	126370X	Guard, Discharge
7	124636X	Stabilizer, Mower Link	19	125629X	Assembly, Deflector Support
8	122045X	Bracket, R.H. Front Lift	20	17051007	Screw, Pan Hd. PLT-30
9	123661X	Guide, Front Mandrel R.H. Mower Belt	21	74760512	Bolt, Hex Head 5/16-18 UNC x 3/4
10	123658X	Decal, Warning	22	123649X	Decal, Warning
11	123713X	Spring, Torsion	23	122043X	Bracket, R.H. Rear Lift
12	105304X	Cap, Sleeve	24	122044X	Bracket, L.H. Rear Lift

HARDWARE SHOWN LARGER FOR EASIER IDENTIFICATION

ILLUSTRATED PARTS BREAKDOWN

MOWER DECK



ILLUSTRATED PARTS BREAKDOWN

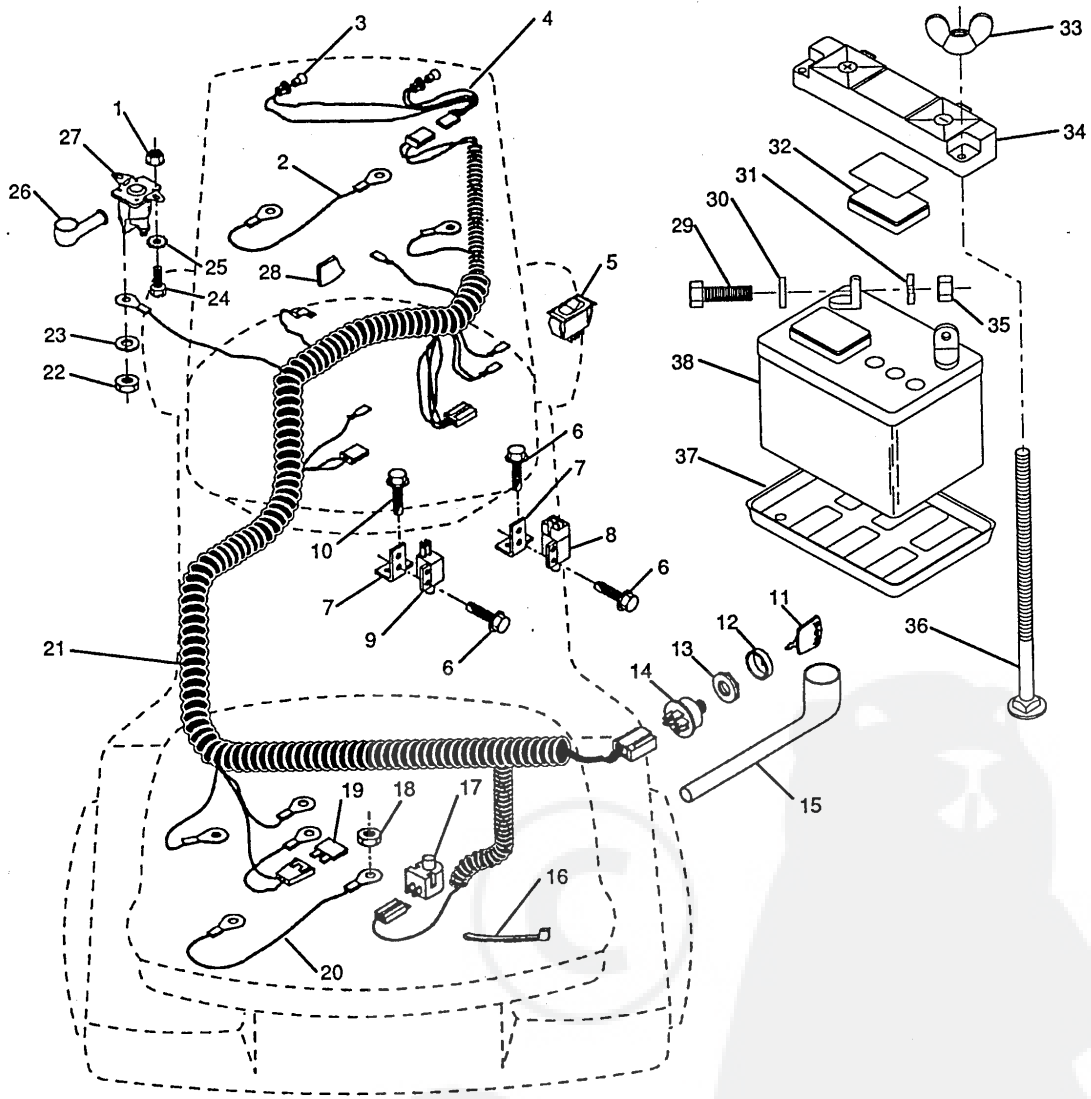
MOWER DECK

KEY NO.	PART NO.	DESCRIPTION	KEY NO.	PART NO.	DESCRIPTION
1	122028X	Spring, Mower Clutch	17	100668L	Support, Plate Jackshaft
2	76020312	Pin, Cotter 3/32 x 3/4	18	17490614	Screw Hex Thdrol. 3/8-16 x 7/8
3	73680600	Nut, Crownlock 3/8-16 UNC	19	122260X	Blade, Low Lift
4	19131412	Washer 13/32 x 7/8 x 12 Ga.	20	74610624	Bolt, Fin. Hex 3/8-24 UNF x 1 1/2 Gr.5
5	121316X	Idler, Flat	21	10030600	Washer, Lock Hvy.3/8
6	19132203	Washer 13/32 x 1 3/8 3 Ga.	22	19132012	Washer 13/32 x 1 1/4 x 12 Ga.
7	126756X	Guide, Belt	23	17490620	Screw Hex Thdrol. 3/8-16 x 1 1/4
8	123702X	Assembly, Mower Idler Arm	24	72140505	Bolt, Carriage 5/16-18 UNC x 5/8
9	72110618	Bolt, Carriage 3/8-16 x 2 1/4	25	73680500	Nut, Crownlock 5/16-18
10	122049X	Rod, Brake	26	72110608	Bolt, Carriage 3/8-16 UNC x 1 Gr.5
11	106578X	Assembly, Brake	27	123439X	Guide, R.H. Rear Belt
12	124293X	V-Belt	28	122051X	Support, Idler Arm
13	124208X	Assembly, Mandrel	29	123673X	Guide, L.H. Belt
14	73680400	Nut, Crownlock 1/4-20	30	122052X	Spacer, Retainer
15	126410X	Housing, Mower 36"			
16	72140404	Bolt, Carriage 1/4-20 x 1/2			

HARDWARE SHOWN LARGER FOR EASIER IDENTIFICATION

ILLUSTRATED PARTS BREAKDOWN

ELECTRICAL



ILLUSTRATED PARTS BREAKDOWN

ELECTRICAL

KEY NO.	PART NO.	DESCRIPTION	KEY NO.	PART NO.	DESCRIPTION
1	73510400	Nut Hex Keps 1/4-20	23	10090400	Washer, Lock 1/4
2	105002X	Assembly, Cable	24	74780408	Bolt Fin. Hex 1/4-20 UNC x 1/2 Gr.5
3	7662J	Bulb, Light	25	11050400	Washer, Lock Ext. Tooth 1/4
4	124108X	Socket, Light Harness	26	719J	Cover, Terminal
5	110712X	Switch, Light	27	109081X	Solenoid
6	17021008	Screw, Tap Hex Hd #10-24 x 1/2	28	125760X	Stop, Choke
7	108236X	Bracket, Switch	29	74760412	Bolt, Hex Hed. 1/4-20 UNC x 3/4
8	104445X	Switch, Interlock	30	19091016	Washer 9/32 x 5/8 x 16 Ga.
9	109553X	Switch, Interlock	31	10040400	Washer, Lock Hvy. Helical Spring 1/4
10	17211008	Screw, Hex Wsh. Tap #10-16 x 1/2	32	121264X	Battery, Cap
11	122147X	Key, Molded	33	123198X	Nut, Plastic, Locking Nut 1/4-20
12	123620X	Cover, Key Ignition	34	102476X	Guard, Terminal
13	124211X	Nut, Ignition	35	73220400	Nut, Fin. Hex 1/4-20 UNC
14	4406R	Switch, Ignition	36	72240460	Bolt, Carriage 1/4-20 UNC x 7 1/2
15	124083X	Cover, Ignition Switch	37	7603J	Tray, Battery
16	7192J	Tie, Cable	38	121265X	Battery
17	121305X	Switch, Plunger	-	101572X	Sheet, Instructions 15° Slope
18	73510500	Keps, Nut 5/16-18	-	126527X	Manual, Owners(French)
19	108824X	Fuse	-	MS-9811	Briggs & Stratton, Operating and Maintenance Manual
20	596J	Assembly, Cable	-	126531X	Part List (French)
21	124190X	Harness, Ignition			
22	73350400	Nut, Hex Jam 1/4-20			

HARDWARE SHOWN LARGER FOR EASIER IDENTIFICATION