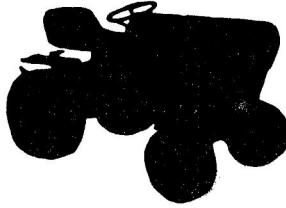


Ldme
12ev
14ev

OWNER'S MANUAL

42 INCH ROTARY MOWER
ATTACHMENT
MODEL NUMBER TT718AR



*Ville de Hoy pour 48"
Cocotte de lave (3lames) 6943.*



*6942R
↓
pour 42"*



LAWN AND GARDEN
POWER EQUIPMENT

ROPER

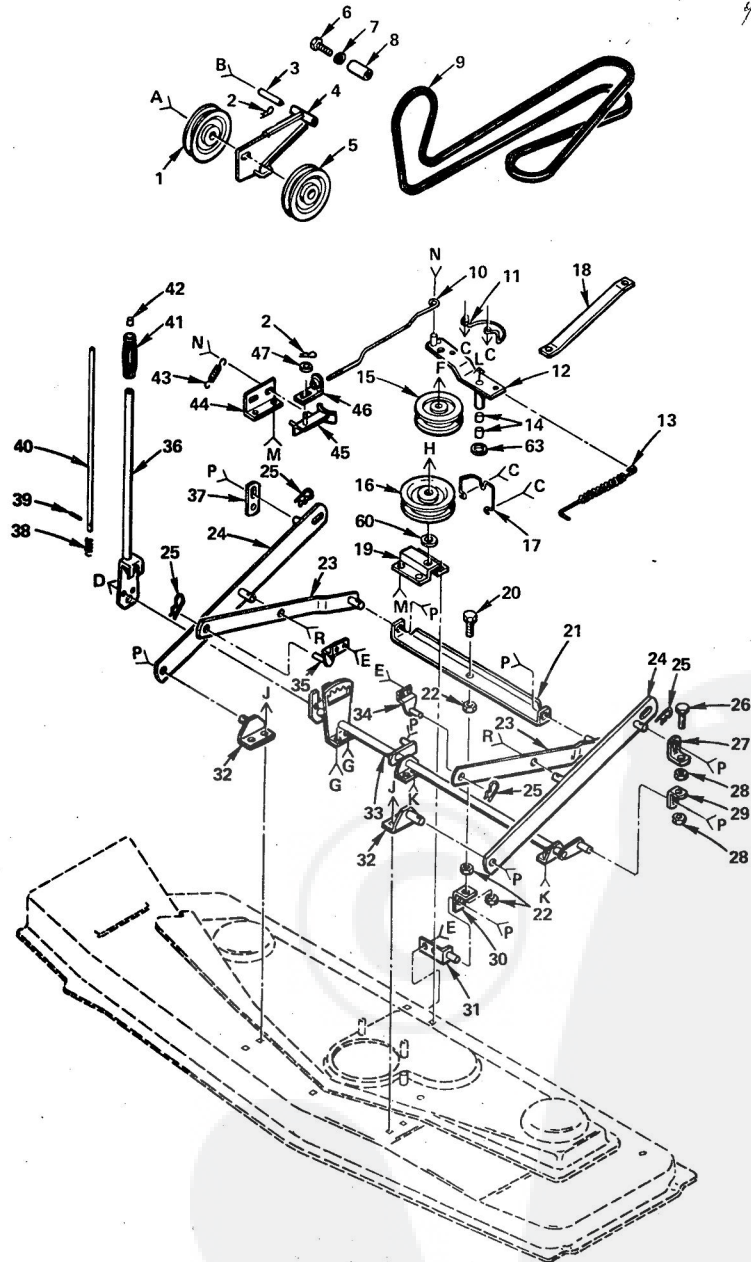
SALES

1905 WEST COURT STREET
KANKAKEE, ILLINOIS 60901



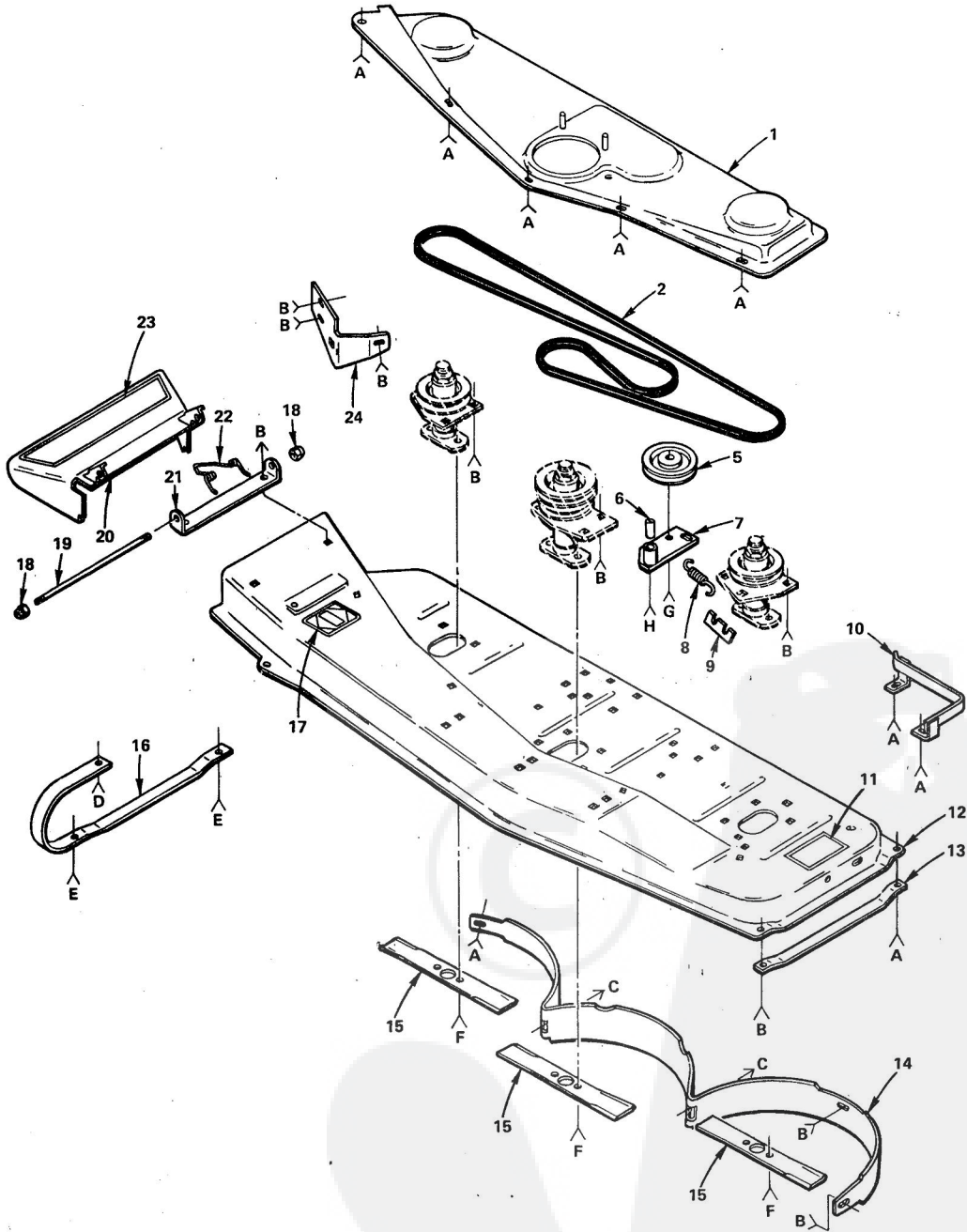
ROTARY MOWER—MODEL NUMBER TT718AR

SUSPENSION & DRIVE



42" ROTARY MOWER-MODEL NUMBER TT718AR

DECK & COVER

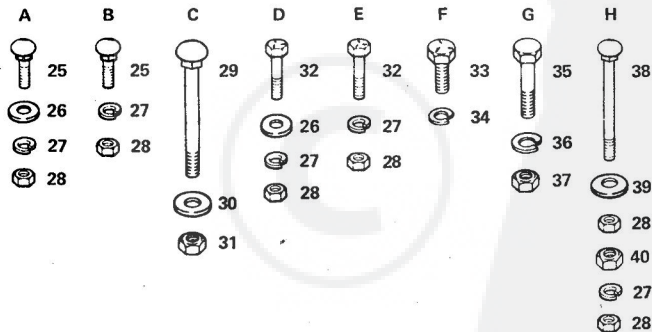


RY MOWER--MODEL NUMBER TT718AR

DECK & COVER

KEY NO.	PART NO.	DESCRIPTION	KEY NO.	PART NO.	DESCRIPTION
1	673A58	Deck Drive Cover Weldment	21	9098R	Deflector Shield Bracket
2	6942R	V-Belt (Deck Drive)	22	5848R	Torsion Spring
5	2C83R	Flat Idler	23	643J	Decal - Deflector Caution
6	8041R	Bushing	24	2289R	Discharge Cut-off Plate
7	634A854	Deck Idler Arm Assembly (Inc. Key No. 6)	25	16P	*Carriage Bolt, Sq. Neck 5/16 - 18 x 3/4
8	9503H	Spring	26	1537P	*Washer 11/32 x 11/16 x 16 Ga.
9	5951R	Mandrel Shim - L.H.	27	1003P	*Lockwasher 5/16
10	634A334	Belt Guide Assembly	28	504P	*Hex Nut 5/16 - 18 UNC
11	9133R	Decal - Instruction Caution	29	36P	*Carriage Bolt 3/8 - 16 x 3
12	9093R	Mower Housing	30	1513P	*Washer 13/32 x 13/16 x 16 Ga.
13	2070R	Runner - L.H.	31	5394H	Center Locknut 3/8 - 16 UNC
14	9422R	Blade Shield	32	3273P	*Hex Bolt 5/16 - 18 x 1 Gr. 5
15	9480R	Blade	33	3204P	Hex Bolt 7/16 - 14 x 3/4 Gr. 5
16	8063R	Runner - R.H.	34	1001P	*Lockwasher 7/16
17	9591R	Decal - Lift	35	3027P	*Hex Bolt 3/8 - 16 x 1 - 1/2
18	5846R	Push Nut	36	1004P	*Lockwasher 3/8
19	9082R	Deflector Shield Rod	37	508P	*Hex Jam Nut 3/8 - 16 UNC
20	634A855	Deflector Shield Weldment	38	54P	Carriage Bolt, Sq. Neck Short Shoulder 5/16 - 18 x 2 - 3/4
			39	1556P	Washer 13/32 x 7/8 x 14 Ga.
			40	541P	Hex Jam Nut 7/16 - 20 UNF
			---	698J	Owners Manual

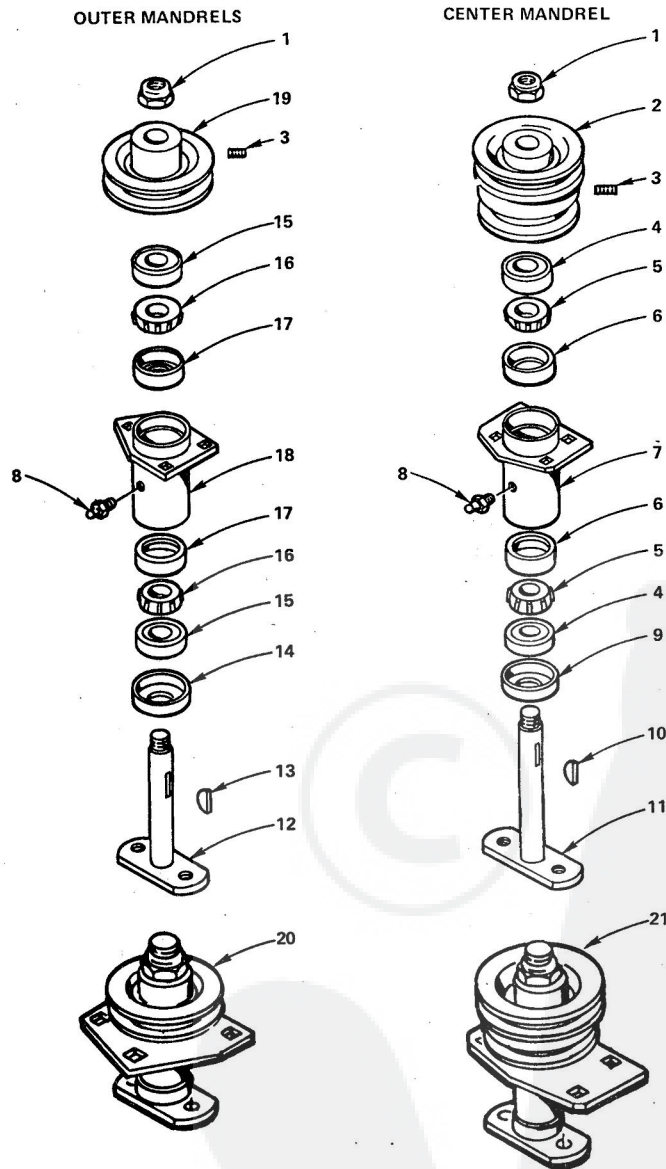
*STANDARD HARDWARE--PURCHASE LOCALLY



REPAIR PARTS

42" ROTARY MOWER--MODEL NUMBER TT718AR

MANDRELS



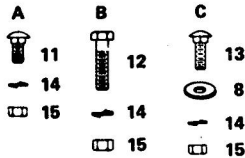
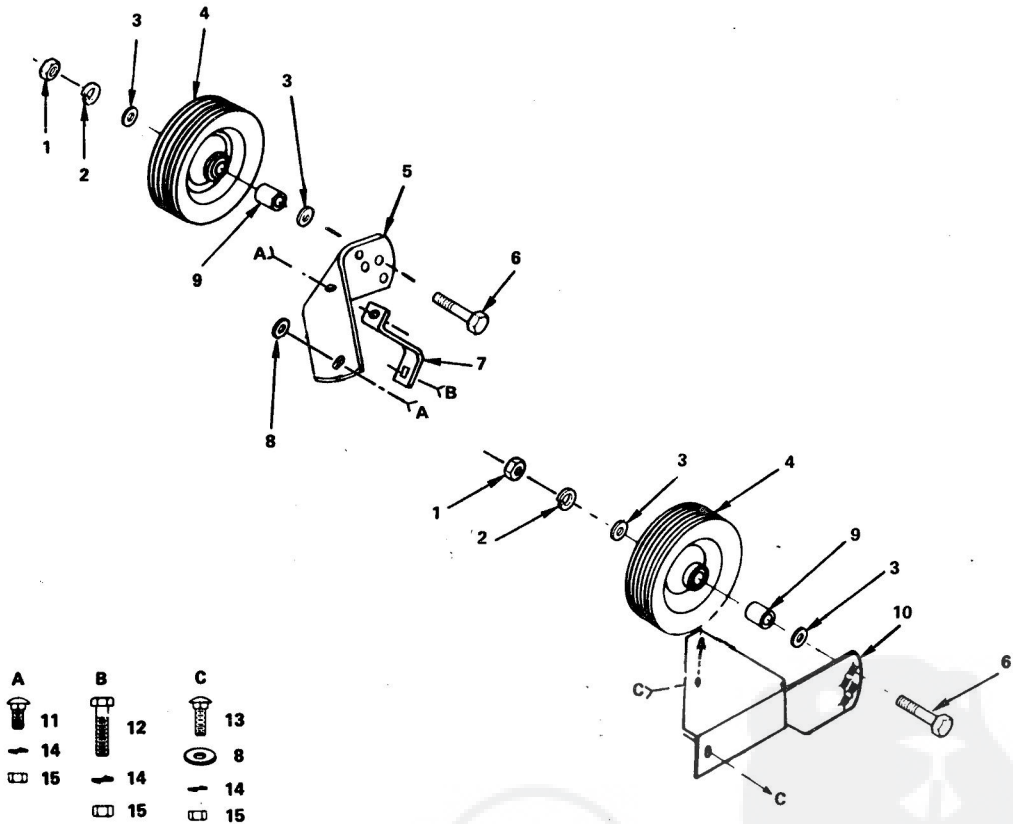
REPAIR PARTS

42" ROTARY MOWER--MODEL NUMBER TT718AR

MANDRELS

KEY NO.	PART NO.	DESCRIPTION
1	4831H	Elastic Stop Nut 3/4 - 16 UNF
2	673A123	Mandrel Sheave - Center (Inc. 3 each Key No. 3)
3	4539P	Set Screw, Hex Forged Socket Headless C.P. Nylok 3/8 - 16 UNC x 5/8 (Hardness 36Rc)
4	882R	Metallic Seal
5	9494H	Bearing Cone
6	888R	Bearing Cup
7	634A427	Mandrel Tube and Cups - Center (Inc. 2 each Key No. 6)
8	6855M	Grease Fitting
9	1036R	Mandrel Cap - Center
10	880R	Woodruff Key
11	634A426	Shaft and Flange - Center
12	634A315	Shaft and Flange - Outer
13	8330H	Woodruff Key
14	9458H	Mandrel Cap
15	881R	Metallic Seal
16	1554H	Bearing Cone
17	1553H	Bearing Cup
18	634A431	Mandrel Tube and Cups - Outer (Inc. 2 each Key No. 17)
19	634A417	Mandrel Sheave - Outer (Inc. 2 each Key No. 3)
20	634A423	Mandrel Assembly with Sheave - Outer (Inc. Key No's. 1, 3, 8, 12 thru 19)
21	673A70	Mandrel Assembly with Sheave - Center (Inc. Key No's. 1 thru 11)
---	2557R	Amdex No. 1 E.P. Grease (Not furnished with Mower)

OPTIONAL EQUIPMENT
ROTARY MOWER GAUGE WHEEL KIT
MODEL NUMBER TA178AR



KEY NO.	PART NO.	DESCRIPTION
1	515P	*Hex Nut 3/8 - 24 UNF
2	1004P	*Lockwasher 3/8
3	1556P	*Washer 13/32 x 7/8 x 14 Ga.
4	9536H	Gauge Wheel
5	2073R	Gauge Wheel Support - R.H.
6	3199P	Hex Bolt 3/8 - 24 x 2 - 3/4 Grade 5
7	8133R	Gauge Wheel Bracket Support - R.H.

KEY NO.	PART NO.	DESCRIPTION
8	1537P	*Washer 11/32 x 11/16 x 16 Ga.
9	7375H	Bushing
10	634A480	Gauge Wheel Support Assembly - L.H.
11	17P	*Carriage Bolt 5/16 - 18 x 1
12	3135P	*Hex Bolt 5/16 - 18 x 1 - 1/4 Grade 5
13	5P	*Carriage Bolt 5/16 - 18 x 3/4
14	1003P	*Lockwasher 5/16
15	504P	*Hex Nut 5/16 - 18 UNC

*STANDARD HARDWARE--PURCHASE LOCALLY

Model No. TA178AR includes all of the above items.