

MASTER PARTS MANUAL

GARDEN TRACTOR ATTACHMENTS

MODELS:

| | | |
|----------|----------|----------|
| TT2041R0 | TT6031R1 | HA0232R0 |
| TT2131R | TT6131R0 | HA0231R |
| TT2231R | TT6231R0 | |
| TT2631R0 | TT6431R0 | |
| TT3042R0 | TT6951R | D2117AR |
| TT4031R0 | | D3217AR |
| TT4131R0 | TA157AR | D44152R1 |
| TT4241R0 | TA1331R0 | D54252R1 |
| TT4331R0 | TA207AR | D84351R1 |
| TT4431R0 | | |
| TT4631R0 | H30031R0 | |
| TT4931R0 | H60031R0 | |
| TT5031R1 | H60042R0 | |
| TT5051R0 | | |
| TT517AR | | |
| TT5251R | | |

LAWN AND GARDEN
POWER EQUIPMENT

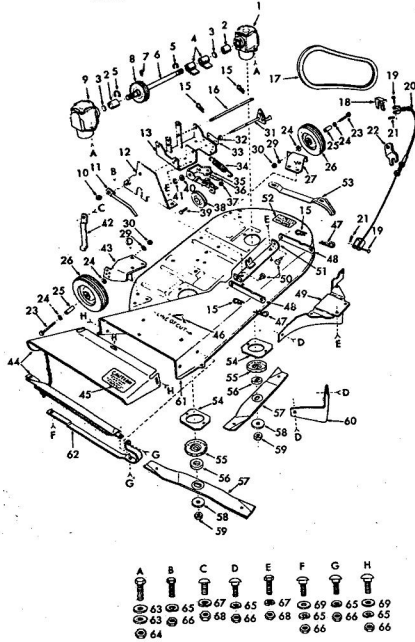
ROPER SALES

1905 WEST COURT STREET
KANKAKEE, ILLINOIS 60901

618J
6.1.77
PRICE \$2.00

repair parts

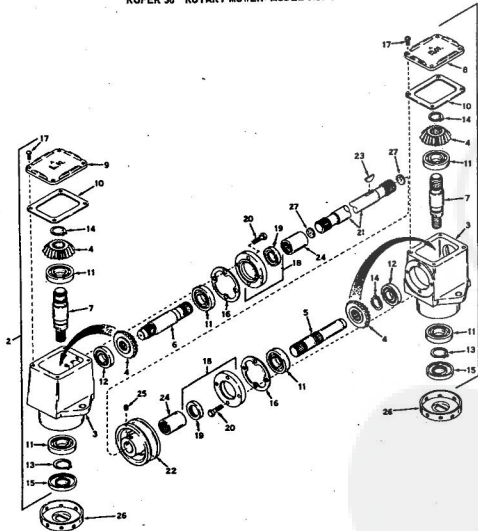
ROPER 38" ROTARY MOWER—MODEL NO. TT2041R0



ROPER 38" ROTARY MOWER—MODEL NO. TT2041R0

| KEY NO. | PART NO. | DESCRIPTION | KEY NO. | PART NO. | DESCRIPTION |
|---------|----------|-------------------------------|---------|----------|--|
| 1 | 79402 | Head Assembly L.H. | 42 | 8310H1 | Pulley Guard Guide |
| 2 | 786028 | Coupling, Input Connector | 43 | 626A284 | Wheel Bracket Assembly R.H. |
| 3 | 788029 | Disc, Felt | 44 | 626A256 | Deflector Assembly w/Chain |
| 4 | 2037R | Viper Sleeve | 45 | 3538R | Deflector-Caution Decal |
| 5 | 5231H | Crescent Ring | 46 | 3239R | Safety Standard Sticker |
| 6 | 776085 | Shaft, Input Connector | 47 | 4940M | Retainer Spring |
| 7 | 792027 | Set Screw, Knotted Hd., C. P. | 48 | 5050H | Pivot Link Front |
| 8 | 786059 | Shaft | 49 | 626A286 | Blade Shield Assembly |
| 9 | 794041 | Head Assembly R.H. | 50 | 1032S | Pivot Pin |
| 10 | 511P | Nylon Nut 3/8-24 | 51 | 626A352 | Mower Housing Mounting |
| 11 | 626A271 | Blade Clutch Handle | 52 | 3539R | Weldment |
| 12 | 7717H2 | Pulley Guard | 53 | 3848R | Instruction-Caution Decal |
| 13 | 626A355 | Housing Mount Assembly | 54 | 1567R | Runner L.H. |
| 14 | 4939M | Retainer Spring | 55 | 786044 | Mandrel Plate |
| 15 | 957R | Front Shift | 56 | 786044 | Shield |
| 16 | 1563R | V-Belt | 57 | 2464R | Blade Safety Drive |
| 17 | 2259R | Spring Clip | 58 | 9914M | Blade (Cat. No. 25062) |
| 18 | 2259R | Spring Clip | 59 | 599P | Spring Washer |
| 19 | 2259R | Spring Clip | 60 | 968R | Nylon Nut 5/8-18 |
| 20 | 2547R | Mower Clutch Cable | 61 | 7392R | Blade Shield Outfit |
| 21 | 2303P | Caster Pin 3/32 x 2 1/2 | 62 | 960R | Mower Housing |
| 22 | 2540R | Clutch Cable Anchor | 63 | 1537P | Runner R.H. |
| 23 | 3199P | Hex Bolt 3/8-24 x 2 1/2 | 64 | 545P | Washer 13/32 x 13/16 x 11 Ga. |
| 24 | 1545P | Washer 13/32 x 7/8 x 14 Ga. | 65 | 1003P | Crown Locknut 3/8-16 |
| 25 | 7379H | Bushing | 66 | 1004P | Lockwasher 3/8 |
| 26 | 9366H | Washer 1/2 x 3/8 x 1/8 | 67 | 501P | Hex Nut 5/16-18 |
| 27 | 626A283 | Wheel Bracket Assembly L.H. | 68 | 1004P | Hex Nut 3/8-16 |
| 28 | 1004P | Lockwasher 3/8 | 69 | 1537P | Washer 11/32 x 11/16 x 16 Ga. |
| 29 | 515P | Hex Nut 3/8-24 | 70 | 501P | Hex Bolt 3/8-16 x 1 1/2 Grade 5 |
| 30 | 626A342 | Control Arm Assembly | A | 3137P | Hex Bolt 3/8-16 x 1 1/2 Grade 5 |
| 31 | 2510R | Spacer | B | 3159P | Hex Bolt 5/16-18 x 7/8 |
| 32 | 2510R | Spacer | C | 3223P | Stemmed Rd. Hd. Mech. Screw 3/8-16 x 1 1/2 |
| 33 | 2510R | Spacer | D | 16P | Carriage Bolt 5/16 x 1 1/2 |
| 34 | 626A372 | Idle Bracket Assembly | E | 3023P | Hex Bolt 3/8-16 x 1 1/2 |
| 35 | 382R | Decal | F | 17P | Carriage Bolt 5/16-18 x 1 |
| 36 | 548P | Idle Pin 3/8-24 | G | 17P | Carriage Bolt 5/16-18 x 1 |
| 37 | 1342R | Idle Pulley | H | 16P | Carriage Bolt 5/16-18 x 1 1/2 |
| 38 | 3537P | Hex Bolt 3/8-24 x 1 1/2 | H | 5001R | Owners Manual and Parts List |
| 39 | 1545P | Washer 17/32 x 1 x 16 Ga. | | | |
| 40 | 5002P | E-Ring Truarc 5132-50 | | | |
| 41 | | | | | |

ROPER 38" ROTARY MOWER—MODEL NO. TT2041R0

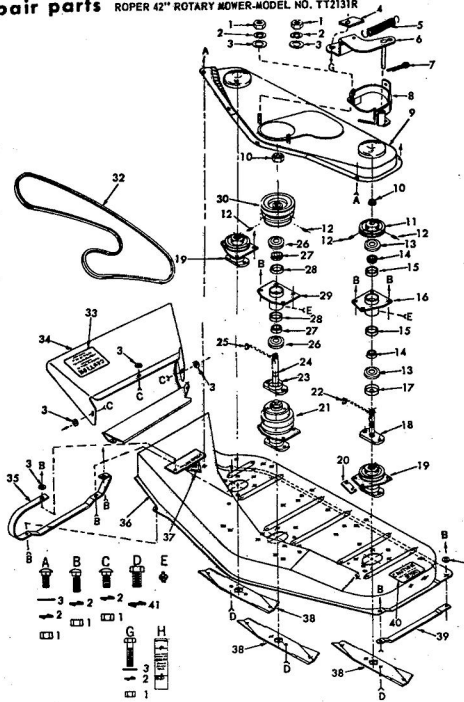


ROPER 38" ROTARY MOWER—MODEL NO. TT2041R0

| KEY NO. | PART NO. | DESCRIPTION | KEY NO. | PART NO. | DESCRIPTION |
|---------|----------|--|---------|----------|---|
| 1 | 794041 | Head Assy., Right Hand (incl. Nos. 3, 4, 5, 7, 8 and 10 thru 20) | 16 | 788030 | Gasket, Cop |
| 2 | 794042 | Head Assy., Left Hand (incl. Nos. 3, 4, 5, 7, 8 and 10 thru 20) | 17 | 792025 | Screw, Hd. Hd. Self Tap, 10 - 24 x 3/8 |
| 3 | 770026 | Beer, Miller | 18 | 786029 | Cop and Seal Assy., Reto (incl. Nos. 19 & 20) |
| 4 | 778046 | Shaft, Input Pinion | 19 | 788031 | Seal, Oil |
| 5 | 776040A | Shaft, Output | 20 | 752026 | Screw, Hex Hd. 1/4 - 20 x 7/8 |
| 6 | 776041 | Shaft, Input Pinion | 21 | 776085 | Shaft, Input Connector |
| 7 | 774092 | Shaft, Output | 22 | 786059 | Shaft, Input Connector |
| 8 | 772034 | Cover, Right Hand | 23 | 792047 | Key, Woodruff, 3/16 x 3/4 |
| 9 | 772035 | Cover, Left Hand | 24 | 786028 | Coupling, Input Shaft |
| 10 | 788028 | Gasket, Cover | 25 | 792027 | Set Screw, Knotted Hd. C. |
| 11 | 780034 | Bearing, Ball | 26 | 786044 | Shield |
| 12 | 780034 | Bearing, Ball | 27 | 788039 | Disc, Felt |
| 13 | 788019 | Ring, Snap | | | |
| 14 | 788018 | Ring, Snap | | | |
| 15 | 788029 | Seal, Oil | | | |

ALL PARTS ON THIS PAGE MUST BE PURCHASED THROUGH YOUR LOCAL TECUMSEH DEALER.

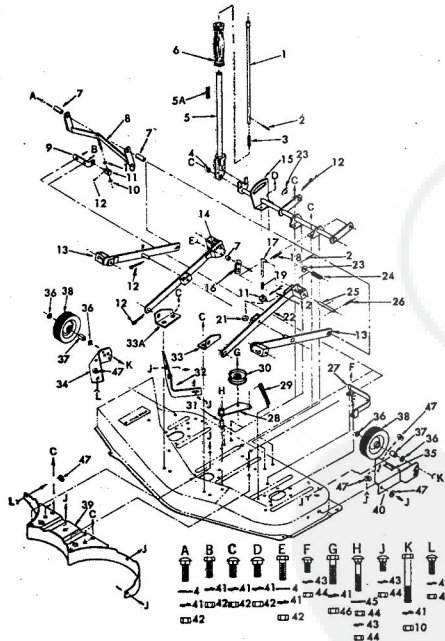
repair parts ROPER 42" ROTARY MOWER-MODEL NO. TT2131R



ROPER 42" ROTARY MOWER-MODEL NO. TT2131R

| KEY NO. | PART NO. | DESCRIPTION | KEY NO. | PART NO. | DESCRIPTION |
|---------|----------|--|---------|----------|--|
| 1 | 504P | Hex Nut 5/16-18 | 25 | 880R | Woodruff Key 1/2 x |
| 2 | 1003P | Lockwasher 5/16 | 26 | 883R | Metallic Seal |
| 3 | 1537P | Washer 11/32 x 11/16 x 1/8 | 27 | 9494H | Bearing Cone |
| 4 | 2629R | Brake Shoe | 28 | 888R | Bearing Cup |
| 5 | 3770R | Spring | 29 | 634A427 | Mandrel Tube & C |
| 6 | 634A590 | Stubler Weldment | 30 | 634A481 | Center Mandrel Shaftw-Cr |
| 7 | 2503P | Cutter Pin 3/32 x 3/4 | 31 | 6942R | V-Belt (Center to i |
| 8 | 634A588 | Belt Guide Weldment-Center | 32 | 3538R | Deflector-Coution |
| 9 | 634A482 | Deck Drive Cover & Metal Balls | 33 | 634A498 | Deflector Shield w |
| 10 | 4831H | Elastic Stop Nut 3/16 | 34 | 3724R | Runner R.H. |
| 11 | 634A417 | Mandrel Shaftw-Outer w/Ser Screws | 35 | 3863R | Mower Housing |
| 12 | 4515P | Hex Socket Headless Set Screw 3/8-16 x 5/8 | 36 | 3239P | Safety Switcher S |
| 13 | 881R | Metallic Seal | 37 | 9464H | Blade |
| 14 | 1534H | Bearing Cone | 38 | 2070R | Runner L.H. |
| 15 | 1532H | Bearing Cup | 39 | 3539R | Instruction-Coution |
| 16 | 634A431 | Mandrel Tube & Caps Outer | 40 | 1001P | Lockwasher 7/16 |
| 17 | 9494H | Mandrel Cup | 41 | 16P | Carriage Bolt 5/16 |
| 18 | 634A315 | Mandrel Cup-Center w/Shaftw Outer | A | 17P | Carriage Bolt 5/16 |
| 19 | 634A423 | Mandrel Assembly w/Shaftw Outer | B | 16P | Carriage Bolt 5/16 |
| 20 | 9591R | Mandrel Shim-L.H. | C | 5006P | Hex Bolt 7/16 x 1-1/2 |
| 21 | 634A485 | Mandrel Assembly w/Shaftw Center | D | 6855M | Grease Fitting |
| 22 | 8309H | Woodruff Key 3/4-1 H.T. | E | 3011P | Hex Bolt 5/16-18 x 1/2 |
| 23 | 1034S | Lockwasher 3/8 | F | 2557R | Grease Nut Funnal with Mower (For Se Chly) |
| 24 | 634A426 | Shaft & Flange-Center | | | |

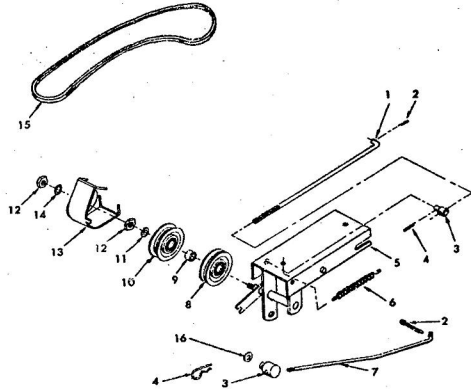
ROPER 42" ROTARY MOWER-MODEL NO. TT2131R



ROPER 42" ROTARY MOWER MODEL NO. TT2131R

| KEY NO. | PART NO. | DESCRIPTION | KEY NO. | PART NO. | DESCRIPTION |
|---------|----------|------------------------------------|---------|----------|--------------------------------|
| 1 | 634A339 | Lever Plunger & Button | 32 | 2889R | Discharge Chute Flinn |
| 2 | 9465M | Roll Pin 3/16 x 1 1/2 | 33 | 3544R | Suspension Block-L |
| 3 | 1556P | Washer 13/32 x 7/8 x 1/4 Gs. | 34 | 3543R | Suspension Block-R |
| 4 | 634A373 | Lift Lever | 35 | 2070R | Front R.H. |
| 5 | 2889R | Roll Pin 3/16 x 1 1/2 | 36 | 1556P | Washer 13/32 x 7/8 x 1/4 Gs. |
| 6 | 2889R | Roll Pin 3/16 x 1 1/2 | 37 | 9529H | Roller |
| 7 | 2889R | Roll Pin 3/16 x 1 1/2 | 38 | 9529H | Roller |
| 8 | 634A328 | Blade Adjustment Weldment | 39 | 634A329 | Blade Shield Assembly |
| 9 | 215P | Hex Nut 3/8-24 | 40 | 634A480 | Gauge Wheel Support |
| 10 | 215P | Hex Nut 3/8-24 | 41 | 1004P | Lockwasher 3/8 |
| 11 | 2420H | Leveling Pin | 42 | 501P | Hex Nut 3/8-16 |
| 12 | 634A345 | Suspension Arm Weldment | 43 | 501P | Hex Nut 3/8-16 |
| 13 | 634A345 | Suspension Arm Weldment | 44 | 504P | Hex Nut 5/16-18 |
| 14 | 634A344 | Suspension Arm Weldment | 45 | 1556P | Washer 13/32 x 7/8 x 1/4 Gs. |
| 15 | 634A624 | Lift Link | 46 | 3039P | Hex Jam 3/16 x 1/16 x 1/16 Gs. |
| 16 | 929R | Lift Link | 47 | 21P | Spring |
| 17 | 2503P | Cutter Pin 3/32 x 3/4 | A | 3032P | Hex Nut 3/8-16 x 1/2 |
| 18 | 2503P | Cutter Pin 3/32 x 3/4 | B | 20P | Hex Nut 3/8-16 x 1/2 |
| 19 | 9535H | Spring | C | 3023P | Hex Nut 3/8-16 x 1/2 |
| 20 | 9535H | Spring | D | 28P | Hex Bolt 3/8-16 x 1 1/2 |
| 21 | 9505H | Elastic Stop Nut 3/8-24 | E | 3025P | Hex Bolt 3/8-16 x 1 1/2 |
| 22 | 634A343 | Inner L.H. Suspension Arm Weldment | F | 16P | Carriage Bolt 5/16 |
| 23 | 1508P | Lockwasher 13 Gs. | G | 3027P | Hex Bolt 3/8-16 x 1 1/2 |
| 24 | 3708R | Spring | H | 7P | Carriage Bolt 5/16-18 x 2 1/2 |
| 25 | 9505H | Elastic Stop Nut 3/8-24 | I | 3199P | Hex Bolt 3/8-24 x 2 1/2 |
| 26 | 9505H | Elastic Stop Nut 3/8-24 | J | 3199P | Hex Bolt 3/8-24 x 2 1/2 |
| 27 | 634A334 | Roll Pin 3/16 x 2 | K | | |
| 28 | 634A477 | Blade Assembly | L | | |
| 29 | 634A477 | Blade Assembly | | | |

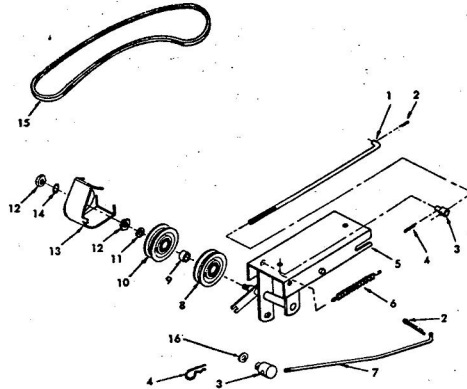
ROPER 42" ROTARY MOWER-MODEL NO. TT2131R



| KEY NO. | PART NO. | DESCRIPTION | KEY NO. | PART NO. | DESCRIPTION |
|---------|----------|----------------------|---------|----------|--------------------------------|
| 1 | 3705R | Belt Tightener Link | 9 | 9366H | Bushing |
| 2 | 2510P | Cutter Pin 5/32 x 1 | 10 | 634A566 | Outside Idler |
| 3 | 3707R | Adjusting Pin | 11 | 1519P | Washer 15/32 x 1 x 12 Ga. |
| 4 | 4942M | Retainer Spring | 12 | 516P | Hex Nut 7/16-20 |
| 5 | 634A619 | Idler Shaft Assembly | 13 | 634A618 | Belt Guide Weldment-Front |
| 6 | 9502H | Spring | 14 | 1001P | Lockwasher 7/16 |
| 7 | 3746R | Swabber Pull Rod | 15 | 6941R | V-Belt (Mower Main Drive Belt) |
| 8 | 634A565 | Inside Idler | 16 | 1569P | Washer 9/16 x 15/16 x 11 Ga. |

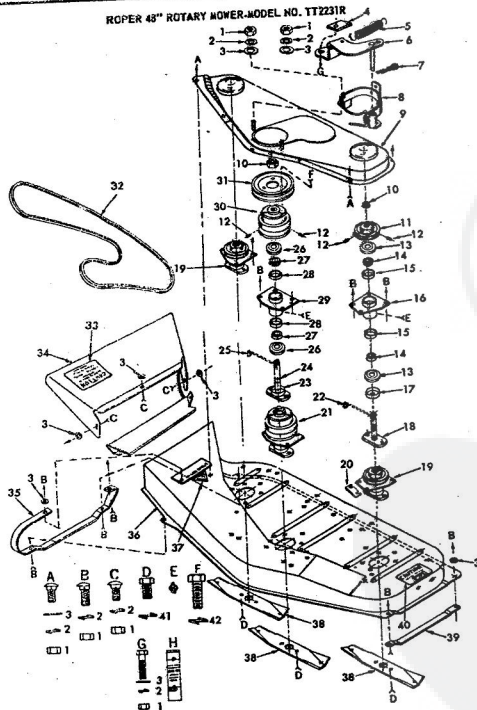
repair parts

ROPER 48" ROTARY MOWER-MODEL NO. TT2231R



| KEY NO. | PART NO. | DESCRIPTION | KEY NO. | PART NO. | DESCRIPTION |
|---------|----------|----------------------|---------|----------|--------------------------------|
| 1 | 3705R | Belt Tightener Link | 9 | 9366H | Bushing |
| 2 | 2510P | Cutter Pin 5/32 x 1 | 10 | 634A566 | Outside Idler |
| 3 | 3707R | Adjusting Pin | 11 | 1519P | Washer 15/32 x 1 x 12 Ga. |
| 4 | 4942M | Retainer Spring | 12 | 516P | Hex Nut 7/16-20 |
| 5 | 634A619 | Idler Shaft Assembly | 13 | 634A618 | Belt Guide Weldment-Front |
| 6 | 9502H | Spring | 14 | 1001P | Lockwasher 7/16 |
| 7 | 3746R | Swabber Pull Rod | 15 | 6941R | V-Belt (Mower Main Drive Belt) |
| 8 | 634A565 | Inside Idler | 16 | 1569P | Washer 9/16 x 15/16 x 11 Ga. |

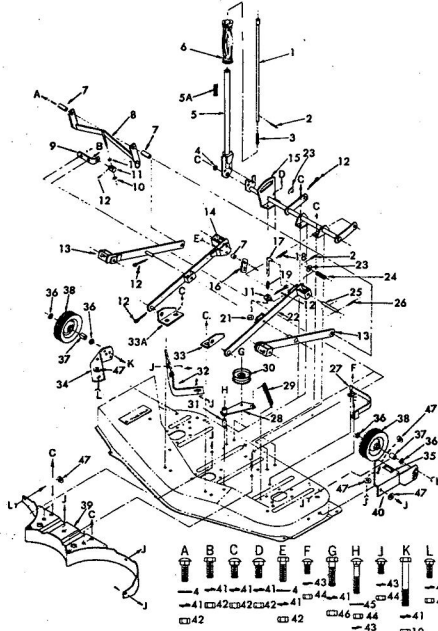
ROPER 48" ROTARY MOWER-MODEL NO. TT2231R



ROPER 48" ROTARY MOWER-MODEL NO. TT2231R

| KEY NO. | PART NO. | DESCRIPTION | KEY NO. | PART NO. | DESCRIPTION |
|---------|----------|--|---------|----------|--|
| 1 | 504P | Hex Nut 5/16-18 | 25 | 880R | Woodruff Key 1/2 x 1.7 H.T. |
| 2 | 1003P | Lockwasher 5/16 | 26 | 982R | Metallic Seal |
| 3 | 1537P | Washer 11/32 x 11-16 x 16 Ga. | 27 | 9494H | Bearing Cone |
| | | | 28 | 888R | Bearing Cup |
| | | | 29 | 634A427 | Mandrel Tube & Cups-Center |
| 4 | 2629R | Becke Shoe | 30 | 634A419 | Mandrel Sleeve-Center w. Set Screw |
| 5 | 2770S | Spring | 31 | 2060R | Mandrel Sleeve Upper Center |
| 6 | 634A592 | Swabber Weldment | 32 | 6943R | V-Belt (Center to Outer Mandrel) |
| 7 | 2302P | Cutter Pin 3/32 x 3.4 | 33 | 3538R | Deflector-Caution Decal |
| 8 | 634A591 | Belt Guide Weldment-Center | 34 | 634A499 | Deflector Shield w/Chain Runner R.H. |
| 9 | 634A484 | Deck Drive Cover & Weld Bolts | 35 | 3725R | Mower Housing |
| 10 | 4231H | Electric Stop Nut 3/16 | 36 | 3664R | Safety Standards Sticker |
| 11 | 634A417 | Mandrel Sleeve-Outer w. Set Screws | 37 | 9465H | Blade |
| 12 | 4515P | Hex Socket Headlast Set Screw 3/8-16 x 3/8 | 38 | 2071R | Runner L.H. |
| 13 | 881R | Metallic Seal | 39 | 3539R | Instruction-Caution Decal |
| 14 | 1534H | Bearing Cone | 40 | 1001P | Lockwasher 7/16 |
| 15 | 1535H | Bearing Cup | 42 | 1004P | Lockwasher 3/8 |
| 16 | 634A431 | Mandrel Tube & Cups Outer | A | 16P | Carriage Bolt 5/16-18 x 3/4 |
| 17 | 9458H | Mandrel Cap | B | 17P | Carriage Bolt 5/16-18 x 1/2 |
| 18 | 634A315 | Shaft & Flange Outer | C | 16P | Carriage Bolt 5/16-18 x 3/4 |
| 19 | 634A425 | Mandrel Assembly w. Shafts Outer | D | 3204P | Hex Bolt 7/16 x 14 x 3/4 H.T. Grade 5 |
| 20 | 9951R | Mandrel Shaft-L.H. | E | 6855H | Grease Fitting |
| 21 | 634A424 | Mandrel Assembly w. Shafts-Center | F | 3022P | Hex Bolt 3/8-16 x 1 |
| 22 | 8330H | Woodruff Key 1/2 x 1.7 H.T. | G | 3011P | Hex Bolt 5/16-18 x 1 |
| 23 | 1036R | Mandrel Cap Center | H | 2537R | Anchor No. 1 E.P. Grease Not Furnished with Mower (For Service Only) |
| 24 | 634A426 | Shaft & Flange-Center | | | |

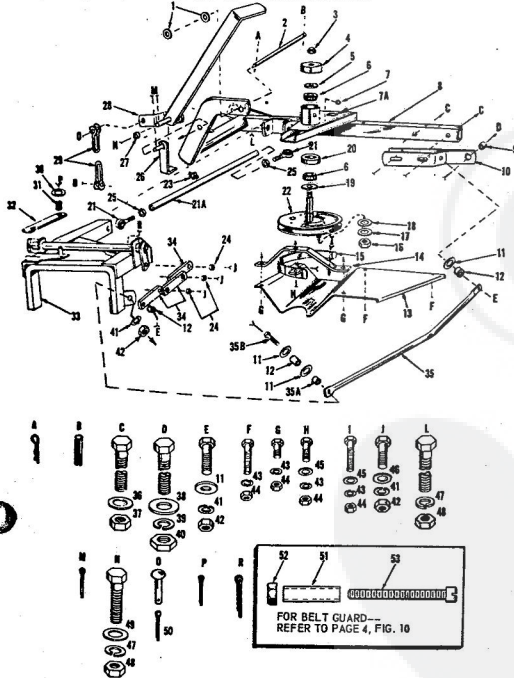
ROPER 48" ROTARY MOWER-MODEL NO. TT2231R



ROPER 48" ROTARY MOWER-MODEL NO. TT2231R

| KEY NO. | PART NO. | DESCRIPTION | KEY NO. | PART NO. | DESCRIPTION |
|---------|----------|--------------------------------|---------|----------|------------------------|
| 1 | 634A339 | Lever Plunger & Button | 32 | 2290R | Discharge Cutoff P |
| 2 | 9465M | Roll Pin 3/16 x 1 1/2 | 33 | 3544R | Suspension Bracke |
| 3 | 2876H | Spring | | | Front L.H. |
| 4 | 1556P | Washer 13/32 x 7/8 x 14 Go. | 33A | 3543R | Suspension Bracke |
| 5 | 634A373 | Lift Lever | | | Front R.H. |
| 5A | 1053R | Decal | 34 | 2073R | Wheel Support R.H |
| 6 | 2895H | Handle Grip | 35 | | Model Plate |
| 7 | 2804H | Bushing | 36 | 1554P | Washer 13/32 x 7/8 |
| 8 | 634A358 | Pitch Adjustment Weldment | 37 | 7375H | Bushing |
| 9 | 9426H | Bracket | 38 | 9526H | Gauge Wheel |
| 10 | 515P | Hex Nut 3/8-24 | 39 | 634A330 | Blade Shield Asser |
| 11 | 9420H | Leveling Pin | 40 | 634A480 | Gauge Wheel Supp |
| 12 | 2511P | Cotter Pin 3/16 x 1 | | | Assy., L.H. |
| 13 | 634A348 | Suspension Arm Weldment | 41 | 1004P | Lockwasher 3/8 |
| | | Outer | 42 | 501P | Hex Nut 3/8-16 |
| 14 | 634A347 | Suspension Arm Weldment | 43 | 1003P | Lockwasher 5/16 |
| | | Inner R.H. | 44 | 504P | Hex Nut 5/16-18 |
| 15 | 634A624 | Lift Shift Weldment | 45 | 1555P | Washer 13/32 x 7/8 |
| 16 | 929R | Lift Link | 46 | 508P | Hex Jam Nut 3/8-11 |
| 17 | 9412H | Hanger Link | 47 | 1537P | Washer 11/32 x 11/16 |
| 18 | 2505P | Cotter Pin 1/8 x 3/4 | A | 21P | Sq. Neck Carriage |
| 19 | 9535H | Spring | B | 3023P | Hex Bolt 3/8-16 x 3/8 |
| 21 | 9505H | Elastic Stop Nut 3/8-24 | C | 20P | Sq. Neck Carriage |
| 22 | 634A346 | Suspension Arm Weldment | | | 3/8-16 x 1 |
| | | Inner L.H. | D | 51P | Carriage Bolt Short |
| 23 | 1500P | Washer 17/32 x 1-1/16 x 13 Go. | E | 3025P | Hex Bolt 3/8-16 x 3/8 |
| 24 | 3720R | Spring | F | 16P | Sq. Neck Carriage |
| 25 | 9416H | Plunger | | | Shoulder 5/16-18-3/4 |
| 26 | 9504H | Roll Pin 3/16 x 2 | G | 3027P | Hex Bolt 3/8-16 x 3/8 |
| 27 | 634A334 | Belt Guide Assembly | H | 17P | Carriage Bolt 5/16-16P |
| 28 | 634A477 | Idler Assembly | J | | Carriage Bolt 5/16-16P |
| 29 | 9503H | Spring | K | 3199P | Hex Bolt 3/8-24 x 1/2 |
| 30 | 2083R | Flat Idler | L | 17P | Carriage Bolt 5/16-16P |
| 31 | 4969H | Bushing | | | Owners Manual |

repair parts SICKLE BAR MOWER --- MODEL NUMBER TT2631RO

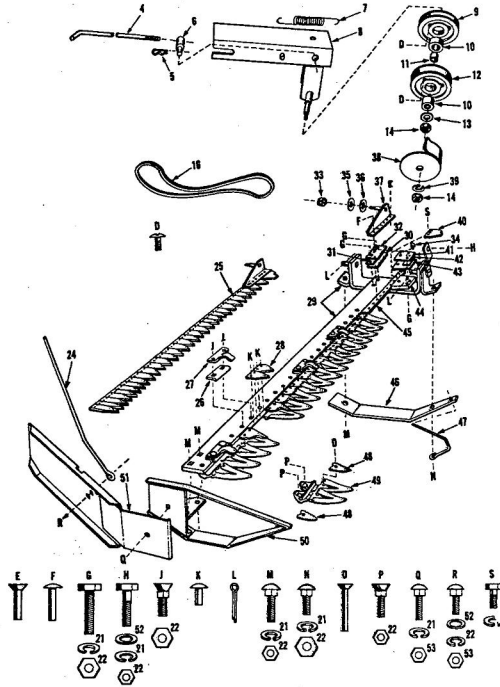


SICKLE BAR MOWER --- MODEL NUMBER TT2631RO

| KEY NO. | PART NO. | DESCRIPTION | KEY NO. | PART NO. | DESCRIPTION |
|---------|----------|---------------------------------------|---------|----------|---|
| 1 | 5209H | Cushion Washer | 36 | 1522P | *Washer, 5/8 x 1 1/4 x 14 Go |
| 2 | 5239H | Frame Hanger Shaft | 37 | 502P | *Hex Nut, 7/16-14 |
| 3 | 5304H | Elastic Stop Nut 5/8-18 | 38 | 1503P | *Washer, 21/32 x 1-5/16 x 14 Go, Plisted |
| 4 | 576H | Dust Cap | 39 | 1008P | *Lockwasher 5/8 Cod. Pl |
| 5 | 1503P | Washer, 21/32 x 1-5/16 x 13 Go. | 40 | 506P | *Hex Nut, 5/8-11 Cod. Pl |
| 6 | 1554H | Tinker Cap | 42 | 500P | *Lockwasher, 5/16 |
| 7 | 6625M | Grease Fitting | 43 | 1003P | *Hex Nut, 3/8-16 |
| 7A | 634A287 | Model Number Plate | 44 | 504P | *Hex Nut, 5/16-18 |
| 8 | 666A286 | Frame Weldment with Bearing Cups | 45 | 1537P | *Washer, 11/32 x 11/16 x 14 Go, Plisted |
| 9 | 2623M | Frame Stop Front Weldment | 46 | 1517P | *Washer, 7/16 x 1 x 14 G |
| 10 | 1517P | Bushing | 47 | 1500P | *Lockwasher, 3/8 Cod. Pl |
| 11 | 5277H | Washer, Flat 7/16 x 1 x 14 Go. | 48 | 502P | *Nut, Hex 3/13 Cod. Plist |
| 12 | 5292H | Flywheel Guard | 49 | 1501H | *Washer, 9/16 x 1-3/8 x 1 |
| 13 | 5549H | Flywheel Guard Bracket | 50 | 2505P | *Cotter Pin, 1/8 x 3/4 |
| 14 | 654A287 | Belt Guide Weldment-Flywheel | 51 | 8238H | Split Spacer |
| 15 | 357H | Hanger Nut | 52 | 347H | Hexlock Nut |
| 16 | 5005H | Thrust Washer | 53 | 3154P | *Machine Screw, Slotted Hd., 1/20 UNC x 2 1/2 Plo |
| 17 | 5205H | Grease Retainer Washer | A | 4940M | Retainer Spring |
| 18 | 5310H | Tinker Cup | B | 1572H | Roll Pin |
| 19 | 1553H | Spherical Rod End | C | 3040P | *Bolt, Hex 7/16-14 x 3 |
| 20 | 9248H | Fitment Tube | D | 3049P | *Bolt, Hex 5/8-11 x 2 Cas |
| 21A | 9242H | Flywheel Assembly | E | 3025P | *Bolt, Hex 5/8-16 x 1 1/2 |
| 22 | 634A301 | Grease Fitting | F | 3016P | *Bolt, Hex 5/16-18 x 2 1/2 |
| 23 | 278H | Nut, Hex Jam ASF 5/8-18 | G | 3010P | *Bolt, Hex 5/16-18 x 3/4 C |
| 24 | 929M | Bushing | H | 3011P | *Bolt, Hex 5/16-18 x 1 |
| 25 | 512P | Transport Stop and Rivet | I | 3016P | *Bolt, Hex 5/16-18 x 2 1/4 |
| 26 | 606A290 | Bushing | J | 3023P | *Bolt, Hex 5/8-16 x 1 |
| 27 | 6329H | Clevis | K | 3047P | *Bolt, Hex 5/8-18 x 3/4 |
| 28 | 634A265 | Yoke Weldment | L | 2505P | *Cotter Pin, 1/8 x 3/4 |
| 29 | 5234H | Lift Link | N | 3046P | *Bolt, Hex 5/16-18 x 2 1/2 |
| 30 | 1513P | Pull Rod | O | 5297H | Drilled Rivet |
| 31 | 1542U | Spring | P | 2511P | *Cotter Pin 3/16 x 1 |
| 32 | 5239H | Cotter Bar Latch | R | 2512P | *Cotter Pin 3/16 x 1 1/2 |
| 33 | 606A278 | Yoke Weldment | | | Instruction and Parts Bo |
| 34 | 5294H | Lift Link | | | |
| 35 | 5277H | Pull Rod | | | |
| 35A | 3224H | Bushing | | | |
| 35B | 3029P | *Bolt, Hex 3/8-16 UNC x 2 1/2 Plisted | | | |

*Standard Hardware Item--- Purchase Locally.

SICKLE BAR MOWER --- MODEL NUMBER TT2631R0

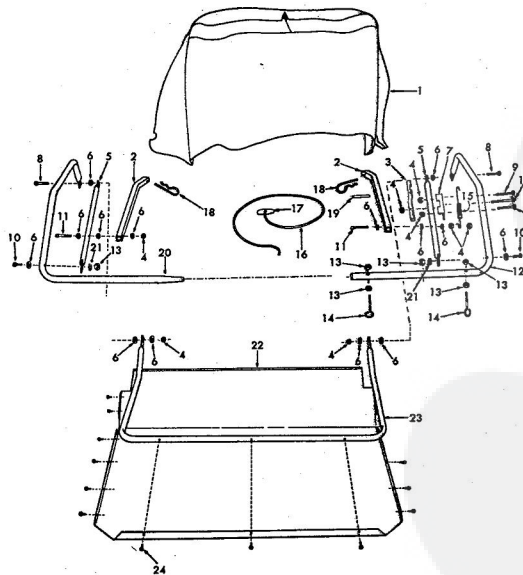


SICKLE BAR MOWER --- MODEL NUMBER TT2631R0

| KEY NO. | PART NO. | DESCRIPTION | KEY NO. | PART NO. | DESCRIPTION |
|---------|----------|------------------------------------|---------|----------|---|
| 4 | 6499H | Bolt Tightener Link | 43 | 5247H | Wear Plate-Front |
| 5 | 4940M | Resistor Spring | 44 | 5254H | Front Wear Plate Base |
| 6 | 6501H | Adjusting Pin | 45 | 5248H | Knife Back (Only) |
| 7 | 4301H | Spring | 46 | 5250H | Inner Runner |
| 8 | 606A294A | Idle Shaft Assembly | 47 | 5233H | Inner Runner Divider |
| 9 | 606A296 | Idle and Bearing-Inner | 48 | 5253Z | Guard Plate (Box of 25) |
| 10 | 607H | Bearing | 49 | 373PA23 | Double Guard Assembly |
| 11 | 5386H | Bushing | 50 | 606A273 | Outer Runner Weldment |
| 12 | 606A295 | Idle and Bearing-Outer | 51 | 606A292 | Swathboard Assembly |
| 13 | 1544P | *Washer, Flat 1/2x3/4 x 1/4 12 Ga. | 52 | 1517P | *Washer, Flat 7/16 x 1 x 1/4 Ga. |
| 14 | 516P | *Nut, Hex 7/16-20 UNF | 53 | 5294H | Nut, Gripco |
| 15 | 5258H | *V-belt (Engine to Flywheel) | 54 | 1002P | *Lockwasher, 1/4 |
| 16 | 1003P | *Lockwasher, 3/8 Cord, Plated | D | 5161P | *Machine Screw, Truss Hd. 1/2-20 x 1/2 |
| 21 | 531P | *Nut, Hex 3/8-16 Cord, Plated | E | 5460H | Rivet, Flat Head 7/32 x 1/2 15/16 Bag of 1 |
| 22 | 5232H | Sawtooth | F | 6801H | Rivet, Round Head 5/32 x 1/2 15/16 Bag of 1 |
| 23 | 634A200 | Knife Assembly | G | 3232P | *Bolt, Sq. Neck 3/8-16 x 1 1/2 |
| 24 | 4569H | Wearing Plate | H | 21P | *Bolt, Hex 3/8-16 x 1 1/2 |
| 25 | 4572H | Knife Clip | J | 44P | *Bolt, Sq. Neck 3/8-16 x 1 1/2 |
| 26 | 375X21 | Knife Sections Only (Box of 25) | K | 6800M | Rivet, Round Head 5/32 x 9/16 Bag of 35 |
| 27 | 606A280 | Corner Bar and Mounting Bracket | L | 2515P | *Cotter Pin, 1/4 x 1 1/4 |
| 28 | 5311H | Wear Plate-Rear | M | 20P | *Bolt, Sq. Neck Carriage 3/8-16 x 1 |
| 29 | 5290H | Rear Guide | N | 22P | *Bolt, Sq. Neck Carriage 3/8-16 x 1 1/2 |
| 30 | 337H | Nut, Haglock | O | 6802M | Rivet, CSK Hd. x 1-1/8 Bag of 20 |
| 31 | 6842H | Grease Fitting | P | 20P | *Bolt, Sq. Neck Carriage 3/8-16 x 1 |
| 32 | 1544P | Washer 1/2x3/4 x 1/4 12 Ga. | Q | 20P | *Bolt, Sq. Neck Carriage 3/8-16 x 1 |
| 33 | 1549P | Washer 21/32 x 1/2 12 Ga. | R | 20P | *Bolt, Sq. Neck Carriage 3/8-16 x 1 |
| 34 | 634A299A | Knife Head and Pin | S | 3114P | *Bolt, Hex 1/4-28 x 1/2 |
| 35 | 606A232 | Belt Guide Walman-Front | | | |
| 36 | 1001P | *Lockwasher, 7/16 | | | |
| 37 | 5312H | Knife Head Plate | | | |
| 38 | 5289H | Front Guide | | | |
| 39 | 5284E | Knife Head Spacer-Front | | | |
| 40 | | | | | |
| 41 | | | | | |
| 42 | | | | | |

repair parts

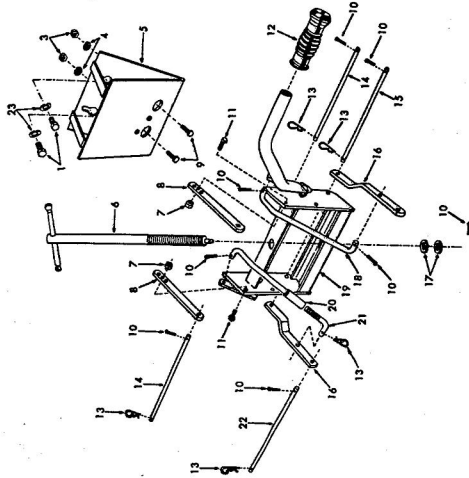
LAWN SWEEPER 37" MODEL NO. TT3042R0



LAWN SWEEPER 37" MODEL NO. TT3042R0

| KEY NO. | PART NO. | DESCRIPTION |
|---------|----------|--|
| 1 | 5521R | Catcher Bag (Basket) |
| 2 | 5322R | Support Tube |
| 3 | 5323R | Latch Bar |
| 4 | 1605H | Gripco Nut 1/2-20 |
| 5 | 5330H | Front Tube |
| 6 | 1505P | Washer 9/32 x 1/2 x 14 Ga. |
| 7 | 5334R | Latch Bar Stop |
| 8 | 3005P | Hex Bolt 1/2-20 x 1 |
| 9 | 3005P | Hex Bolt 1/2-20 x 1 1/4 |
| 10 | 3117P | Hex Bolt 1/2-20 x 1 1/2 |
| 11 | 3255P | Hex Bolt 1/2-20 x 2 1/2 |
| 12 | 5531R | Bag Tube-Upper-R.H. |
| 13 | 503P | Hex Nut 1/2-20 |
| 14 | 5337R | Eyebolt |
| 15 | 5338R | Spring |
| 16 | 5336R | Dump Rope |
| 17 | 2377R | Dump Rope Handle |
| 18 | 4940M | Resistor Spring |
| 19 | 924E1 | Roll Pin 3/16 x 2 |
| 20 | 2245E | Bag Tube-Lower-L.H. |
| 21 | 1602P | Lockwasher 1/4 |
| 22 | 2265E | Catcher Bottom |
| 23 | 2341R | Bag Tube-Lower |
| 24 | 5504P | Slotted Hex Hd. Self Top Screw Type A/B Hex. 10-22 x 1/2 |
| --- | 5227R | Owners Manual |

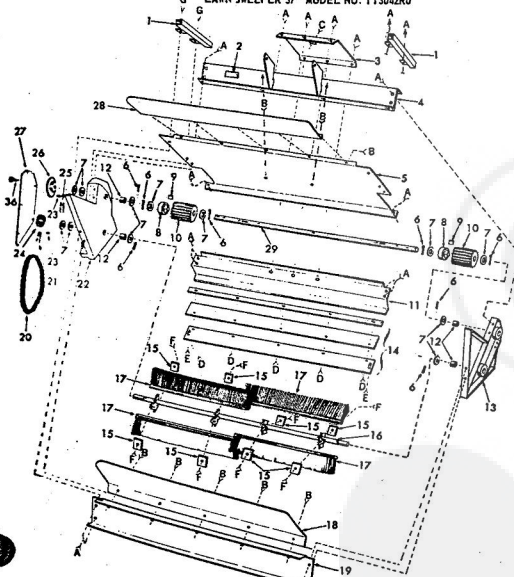
LAWN SWEEPER 37" MODEL NO. TT3042R0



LAWN SWEEPER 37" MODEL NO. TT3042R0

| KEY NO. | PART NO. | DESCRIPTION |
|---------|----------|----------------------------|
| 1 | 304P | Hex Bolt 3/8-13x 1 1/2 |
| 3 | 501P | Hex Nut 3/8-16 |
| 4 | 1004P | Lockwasher 3/8 |
| 5 | 661A19 | Lift Guide Weldment |
| 6 | 661A20 | Lift Screw and Handle |
| 7 | 1653P | Gripse Nut 5/16-18 |
| 8 | 2331R | Lift Link-Upper |
| 9 | 3023P | Hex Bolt 3/8-16x 1 1/4 |
| 10 | 2566P | Corner Pin 1/8x 1 |
| 11 | 3011P | Hex Bolt 5/16-18x 1 |
| 12 | 4059H | Handle Grip |
| 13 | 4029H | Rainier Spring |
| 14 | 2332R | Attachment Pin Upper |
| 15 | 2331R | Lower Side Pin |
| 16 | 2332R | Lift Link-Lower |
| 17 | 1513P | Washer 3/32x 13/16x 16 Ga. |
| 18 | 2335R | Lift Rod-4 1/2 |
| 19 | 661A18 | Lift Weldment |
| 20 | 661A15 | Lift Rod and Turnbuckle |
| 21 | 4316R | Lift Rod-L.H. Lower |
| 22 | 2335R | Attachment Pin Lower |
| 23 | 1000P | Lockwasher 1/2 |

LAWN SWEEPER 37" MODEL NO. TT3042R0



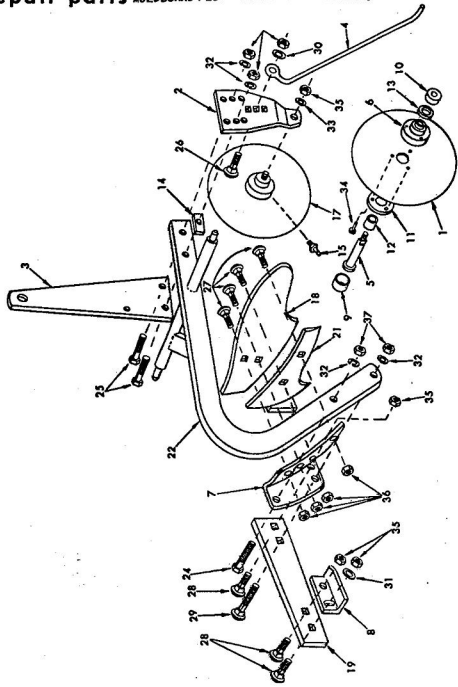
LAWN SWEEPER 37" MODEL NO. TT3042R0

| KEY NO. | PART NO. | DESCRIPTION |
|---------|----------|---|
| 1 | 661A12 | Support Tube Slide Weldment |
| 2 | 2367R | Model Plate |
| 3 | 661A14 | Reinforcement Plate |
| 4 | 2361R | Upper Lift Weldment |
| 5 | 2361R | Main Panel |
| 6 | 2527P | Corner Pin 1/8x 1 1/4 |
| 7 | 1522P | Washer 6/16x 1 1/2x 16 Ga. |
| 8 | 4009R | Ratchet Cog |
| 9 | 4007R | Ratchet Link |
| 10 | 4008R | Drive Roller |
| 11 | 661A15 | Lower Lift Weldment |
| 12 | 4156R | Bearing |
| 13 | 661A17 | Right End Casting and Bearings (Inc. Key No. 12) |
| 14 | 661A11 | Edge Strip Assembly (Inc. Key Letter E) |
| 15 | 2353R | Brush Clamp Strap |
| 16 | 661A21 | Brush Shaft Weldment |
| 17 | 4432R | Brush |
| 18 | 2363R | Sweeper Throat Extension |
| 19 | 2367R | Rear Channel |
| 20 | 2362R | Drive Chain |
| 21 | 4333P | Set Screw Sq. Hd. C.P. 1/20x 3/8 |
| 22 | 661A16 | Left Hand Castings and Bearings (Inc. Key No. 12) |
| 23 | 7833M | Woodruff Key 1/8x 1/2 |
| 24 | 2278R | Sprocket |
| 25 | 4334P | Set Screw Sq. Hd. C.P. 1/20x 5/8 |
| 26 | 2379R | Sprocket |
| 27 | 2362R | Coating End Plate |
| 28 | 2364R | Discharge Guide Panel |
| 29 | 4006R | Drive Shaft |
| 30 | 502P | Hex Nut 1/2 |
| 31 | 1002P | Lockwasher 1/2 |
| 32 | 501P | Hex Nut 3/8-16 |
| 33 | 2388R | Speed Grip Nut Retainer |
| 34 | 1505P | Washer 9/32x 1/2x 14 Ga. |
| 35 | 4632H | Locknut No. 10-24 |
| 36 | 5553P | Phillips Hd. Thr. Cutting Screw Type T No. 8-22x 5/16 |
| A | 3003P | Hex Bolt 1/2-20x 1/2 |
| B | 3114P | Hex Bolt 3/20x 1/2 |
| C | 2359P | Hex Bolt 3/8-16x 2 3/4 Full Thread |
| D | 3218P | Hex Hd. Mech. Screw No. 10-24 x 1/2 |
| E | 3114P | Hex Bolt 1/2-20x 1/2 |
| F | 3522P | Hex Hd. Thr. Cutting Screw 1/20x 5/8 |
| G | 3004P | Hex Bolt 1/2-20x 1 |

THE LETTER ABOVE THE HARDWARE INDICATES THAT ITEM AND ANY BELOW IT ARE USED IN THE LOCATION IN THE MAIN DRAWING WHERE THE IDENTICAL LETTER APPEARS. EACH ITEM OF HARDWARE MUST BE ORDERED INDIVIDUALLY.



repair parts MOLDBOARD PLOW -- MODEL NUMBER TT4031RO



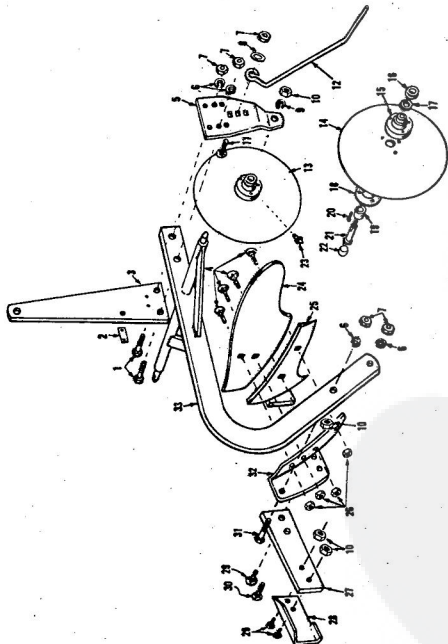
MOLDBOARD PLOW -- MODEL NUMBER TT4031RO

Do not use Illustration Numbers when ordering Repair Parts, always use Part Numbers.

PARTS LIST

| KEY NO. | PART NO. | DESCRIPTION |
|---------|----------|--------------------------------|
| 1 | 6326E | Coiler Blade |
| 2 | 13184T2 | Model Number Plate |
| 3 | 4229M | Hitch Bracket |
| 4 | 4229M | Weld Bar |
| 5 | 4229M | Weld Bar |
| 6 | 4229M | Coiler Hitch |
| 7 | 4229M | Hitch |
| 8 | 6341M | Hitch Cap |
| 9 | 6341M | Coiler Washer |
| 10 | 6341M | Flat Seal |
| 11 | 4348M | Spacer Fitting |
| 12 | 4348M | Coiler Hitch and Bearing |
| 13 | 4348M | Coiler Blade Hitch and Bearing |
| 14 | 4348M | Coiler Hitch and Bearing |
| 15 | 4348M | Coiler Hitch and Bearing |
| 16 | 4348M | Coiler Hitch and Bearing |
| 17 | 4348M | Coiler Hitch and Bearing |
| 18 | 4348M | Coiler Hitch and Bearing |
| 19 | 4348M | Coiler Hitch and Bearing |
| 20 | 4348M | Coiler Hitch and Bearing |
| 21 | 4348M | Coiler Hitch and Bearing |
| 22 | 4348M | Coiler Hitch and Bearing |
| 23 | 4348M | Coiler Hitch and Bearing |
| 24 | 4348M | Coiler Hitch and Bearing |
| 25 | 4348M | Coiler Hitch and Bearing |
| 26 | 4348M | Coiler Hitch and Bearing |
| 27 | 4348M | Coiler Hitch and Bearing |
| 28 | 4348M | Coiler Hitch and Bearing |
| 29 | 4348M | Coiler Hitch and Bearing |
| 30 | 4348M | Coiler Hitch and Bearing |
| 31 | 4348M | Coiler Hitch and Bearing |
| 32 | 4348M | Coiler Hitch and Bearing |
| 33 | 4348M | Coiler Hitch and Bearing |
| 34 | 4348M | Coiler Hitch and Bearing |
| 35 | 4348M | Coiler Hitch and Bearing |
| 36 | 4348M | Coiler Hitch and Bearing |
| 37 | 4348M | Coiler Hitch and Bearing |

repair parts ROPER 10 INCH MOLDBOARD PLOW -- MODEL NUMBER TT4131RO

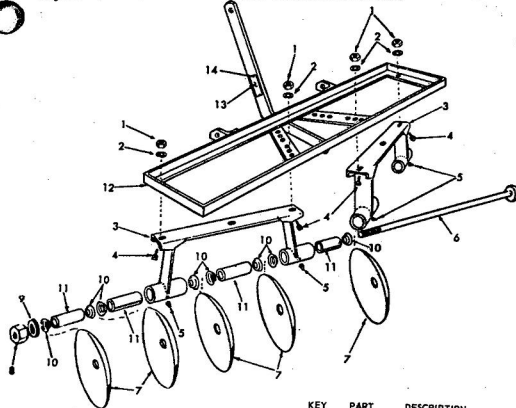


10 INCH MOLDBOARD PLOW -- MODEL NUMBER TT4131RO

Do not use Key Numbers when ordering Repair Parts, always use Part Numbers.

| KEY NO. | PART NO. | DESCRIPTION |
|---------|----------|--------------------------------|
| 1 | 3001P | Bolt, Hex 5/8 - 13 UNC x 1 1/2 |
| 2 | 11774G2 | Model Number Plate |
| 3 | 3001P | Bolt, Hex 5/8 - 13 UNC x 1 1/2 |
| 4 | 13130T1 | Hitch Bracket |
| 5 | 3001P | Weld Bar |
| 6 | 3001P | Weld Bar |
| 7 | 3001P | Coiler Hitch |
| 8 | 3001P | Hitch |
| 9 | 3001P | Hitch Cap |
| 10 | 3001P | Coiler Washer |
| 11 | 3001P | Flat Seal |
| 12 | 3001P | Spacer Fitting |
| 13 | 3001P | Coiler Hitch and Bearing |
| 14 | 3001P | Coiler Blade Hitch and Bearing |
| 15 | 3001P | Coiler Hitch and Bearing |
| 16 | 3001P | Coiler Hitch and Bearing |
| 17 | 3001P | Coiler Hitch and Bearing |
| 18 | 3001P | Coiler Hitch and Bearing |
| 19 | 3001P | Coiler Hitch and Bearing |
| 20 | 3001P | Coiler Hitch and Bearing |
| 21 | 3001P | Coiler Hitch and Bearing |
| 22 | 3001P | Coiler Hitch and Bearing |
| 23 | 3001P | Coiler Hitch and Bearing |
| 24 | 3001P | Coiler Hitch and Bearing |
| 25 | 3001P | Coiler Hitch and Bearing |
| 26 | 3001P | Coiler Hitch and Bearing |
| 27 | 3001P | Coiler Hitch and Bearing |
| 28 | 3001P | Coiler Hitch and Bearing |
| 29 | 3001P | Coiler Hitch and Bearing |
| 30 | 3001P | Coiler Hitch and Bearing |
| 31 | 3001P | Coiler Hitch and Bearing |
| 32 | 3001P | Coiler Hitch and Bearing |
| 33 | 3001P | Coiler Hitch and Bearing |
| 34 | 3001P | Coiler Hitch and Bearing |
| 35 | 3001P | Coiler Hitch and Bearing |
| 36 | 3001P | Coiler Hitch and Bearing |
| 37 | 3001P | Coiler Hitch and Bearing |

repair parts 40" DISC HARROW--MODEL NUMBER TT4241RO



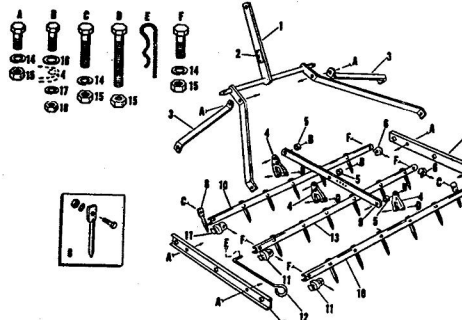
| KEY NO. | PART NO. | DESCRIPTION | KEY NO. | PART NO. | DESCRIPTION |
|---------|----------|--|---------|----------|-------------------------------------|
| 1 | 500P | Hex Nut 7/16 - 14 pld. | 7 | 6844A | Disc Blade |
| 2 | 1001P | Lockwasher, Heavy | 8 | 1327H | Lock Nut |
| 3 | 606A44 | Spring 7/16" | 9 | 6817A | Outer Gang Bolt Washer |
| 4 | 303AP | Standard Support and Bearings | 10 | 6833M | Spacer Cup |
| 5 | 6855H | Bolt, Hex 7/16 x 1" - 14 UNC | 11 | 6829M | Spacer |
| 6 | 634A677 | Grease Fitting Gang Bolt and Inner Gang Bolt Washer | 12 | 606A43 | Frame |
| | | | 13 | 2224A | Model Number Plate |
| | | | 14 | 2224A | Drive Stud (For Model Number Plate) |
| | | | --- | 5168R | Owners Manual |

DRAG HARROW -- MODEL NUMBER TT431RO

WHEN ORDERING REPAIR PARTS, ALWAYS GIVE THE FOLLOWING INFORMATION AS SHOWN LIST:

1. The PART NUMBER.
2. The PART NAME.
3. The MODEL NUMBER -- TT431RO
4. The NAME OF ITEM -- DRAG HARROW.

Do not use the Key Number when ordering repair parts, always use the Part Number. The Model No. is found on a plate attached to the Hitch Bar of the Frame, Key Number 1, below.



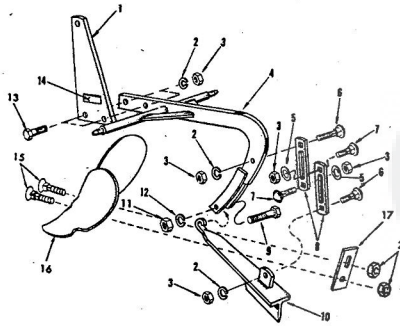
PARTS LIST

| Key No. | Part No. | Description | Key No. | Part No. | Description |
|---------|----------|--------------------------------|---------|----------|---------------------------------------|
| 1 | 606A47 | Frame | 14 | 1001P | *Washer, Lock 7/16 |
| 2 | --- | Model Number Plate | 15 | 500P | *Nut, Hex 7/16 ASRU-14 NC |
| 3 | 1328H | Front Drawbar Group | 16 | 1513P | Washer, Flat 13/32 x 13/16 x 16 Ga. |
| 4 | 8969H | Outer Gang Bolt Washer | 17 | 1004P | *Washer, Lock 3/8 |
| 5 | 4338M | Bushing | 18 | 301P | *Nut, Hex 3/8 ASRU-16 NC |
| 6 | 4332A | Teeth Bar Ferrule - R.H. | A | 303AP | Bolt, Hex Hd. 7/16 x 1 1/4 ASRU-14 NC |
| 7 | 1387H | Side Roll | B | 3025P | Bolt, Hex Hd. 3/8 x 1 1/4 ASRU-16 NC |
| 8 | 574PA24 | Lock Bolt, Nut and Lock Washer | C | 3159P | Bolt, Hex Hd. 7/16 x 2 1/4 ASRU-14 NC |
| 9 | 1385H | Drag Link | D | 3040P | Bolt, Hex Hd. 7/16 x 3 ASRU-14 NC |
| 10 | 8967H | Teeth Bar Ferrule - L.H. | E | 4939H | Retainer Spring |
| 11 | 4333M | Teeth Bar Ferrule - L.H. | F | 3992R | Instruction and Parts Book |
| 12 | 1383H | Adjusting Link | F | 3035P | Bolt, Hex Hd. 7/16 x 1 1/4 ASRU-14 NC |
| 13 | 8968H | Teeth Bar Center | | | |

*Teeth not included
*Standard Hardware Item - may be purchased locally.

repair parts

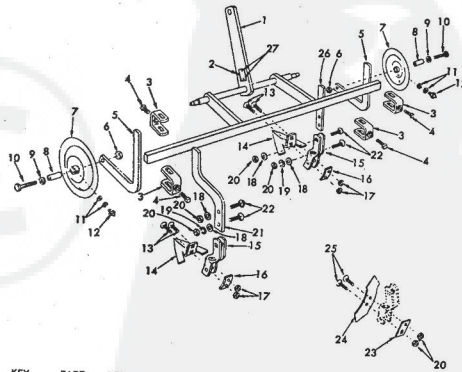
SWEEP-HOLDER WITH MIDDLEBUSTER MODEL NO. TT4431RO



| KEY NO. | PART NO. | DESCRIPTION | KEY NO. | PART NO. | DESCRIPTION |
|---------|----------|---|---------|----------|--|
| 1 | 1328H | Upper Hitch Bar | 10 | 575PA271 | Heel Weldment |
| 2 | 1001P | Lockwasher 7/16 | 11 | 307P | Nut, Hex 5/8-13 UNC |
| 3 | 606A44A | Frame | 12 | 1000P | Lockwasher 5/8 |
| 4 | 1544P | Washer, Flat 15/32 x 15/16 x 16 Ga. | 13 | 3035P | Bolt, Finished Hex Hd. 7/16-14 x 1 1/2 UNC |
| 5 | 24P | Bolt, Sq. Neck Carriage 7/16-14 x 1 1/2 UNC | 14 | 33P | Model Number Plate |
| 6 | 23P | Bolt, Sq. Neck Carriage 7/16-14 x 1 UNC | 15 | 8154M | Plow Bolt 7/16-14 x 2 1/2 |
| 7 | 7655H | Heel Brace | 16 | 8147H | 16" Middlebuster |
| 8 | 3184P | Bolt, Finished Hex Hd. 5/8-13 x 2 1/4 UNC | 17 | --- | Washer Plate |
| | | | --- | --- | Instruction and Parts Book |

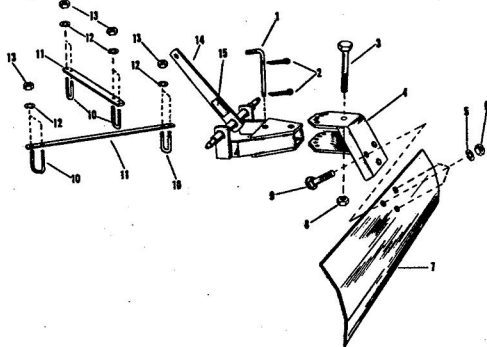
repair parts

CULTIVATOR WITH SWEEPS--MODEL NUMBER TT4631RO
CULTIVATOR WITH SHOVELS--MODEL NUMBER TT4831RO



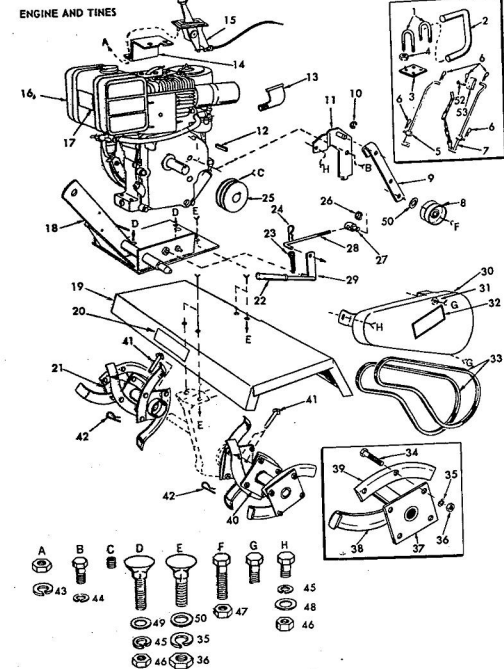
| KEY NO. | PART NO. | DESCRIPTION | KEY NO. | PART NO. | DESCRIPTION |
|---------|----------|---|---------|----------|--|
| 1 | 606A46 | Frame | 15 | 575PA272 | Shank Side Assembly |
| 2 | --- | Model Number Plate | 16 | 361H | Washer Plate |
| 3 | 606A121 | Shank Clamp with Set Screw (Includes Key No. 4) | 17 | 501P | Hex Nut 3/8-16 |
| 4 | 4321P | Set Screw, Sq. Hd. Oval Point 1/2-20 x 1 | 18 | 1325P | Washer 5/8 x 1 1/4 x 14 G |
| 5 | 1328H | Wheel Shank | 19 | 1001P | Lock Washer 7/16 |
| 6 | 307P | Hex Nut 5/8-13 | 20 | 500P | Hex Nut 7/16-14 |
| 7 | 575PA35 | Gauge Wheel | 21 | 1334H | Shank, Offset |
| 8 | 1327H | Wheel Bearing | 22 | 39P | Sq. Neck Carriage Bolt 7/16-14 x 1 1/2 Short |
| 9 | 1500P | Washer 7/32 x 1-1/16 x 12 Ga. | 23 | 8149M | Washer Plate |
| 10 | 3048P | Hex Bolt 5/8-13 x 3/8 | 24 | 8153H | Double Point Shovel |
| 11 | 899H | Washer, Flat | 25 | 33P | Sq. Neck Plow Bolt 7/16-14 x 2 1/2 |
| 12 | 6855M | Grease Fitting | 26 | 1332H | Shank, Straight |
| 13 | 31P | Sq. Neck Plow Bolt 3/8-16 x 2 1/2 | 27 | 2224M | Drive Stud (For Model Number Plate) |
| 14 | 365H | Sweep | --- | 3949R | Owners Manual |

LEVELER BLADE--MODEL NUMBER TT4931R0
repair parts



| KEY NO. | PART NO. | DESCRIPTION | KEY NO. | PART NO. | DESCRIPTION |
|---------|----------|-------------------------------------|---------|----------|---|
| 1 | 541BH | Quadrant Pin | 9 | 27P | *Belt, 5c. Neck Carriage |
| 2 | 2565P | *Center Pin 1/8 x 1 | 10 | 8076R | 3/8-13 UNC x 2 1/2 |
| 3 | 3167P | *Bolt, Hex Finished 5/8-11 UNC, # 4 | 11 | 5423H | U-Belt |
| 4 | 606A300 | Quadrant Plate Upper and Lower | 12 | 1004P | Hitch Brace |
| 5 | 1000P | *Washer, Lock 3/8 | 13 | 501P | *Washer, Lock 3/8 |
| 6 | 502P | *Nut, Hex 3/8-13 UNC | 14 | 634AS | *Nut, Hex ASF 3/8-16 UNC |
| 7 | 5428H | Lock Nut | 15 | 634AS | Frame Weldment |
| 8 | 4764H | | | 3929R | Model Number Plate |
| | | | | | Owners Manual |
| | | | | | *Standard Hardware Item--may be purchased locally |

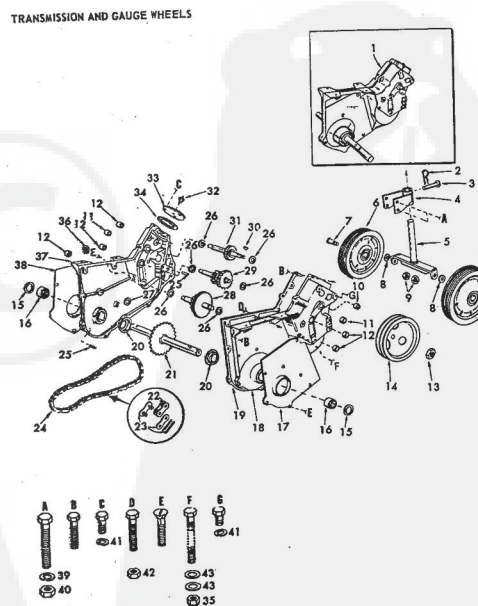
ROPER ROTO-TILLER ATTACHMENT--MODEL NO. TT5031R1
repair parts



ROPER ROTO-TILLER ATTACHMENT--MODEL NO. TT5031R1
ENGINE AND TINES

| KEY NO. | PART NO. | DESCRIPTION | KEY NO. | PART NO. | DESCRIPTION |
|---------|----------|--|---------|----------|--|
| 1 | 6678H | U Bolt | 35 | 1004P | Lockwasher 3/8 |
| 2 | 3457H | Lift Handle Extension | 36 | 501P | Hex Nut 3/8-16 |
| 3 | 6665H | U Bolt Plate | 37 | 634A55B | Time Shaft-Outer & Pin |
| 4 | 545P | Gripco Crown Locknut 3/8-16 | 38 | 6712H | Time L.H. |
| 5 | 634A702 | L.H. Link & Stop L.H. | 39 | 6713H | Time R.H. |
| 6 | 4929H | Retainer Spring | 40 | 634A55C | Time Plate & Hub L.H. (Less Tines) |
| 7 | 634A707 | L.H. Link and Spine-R.H. | 41 | 4929H | Drilled Pin Hd. Rivet 3/8 x 1 1/2 |
| 8 | 3475L | Idler Pulley | 42 | 3146R | Retainer Spring |
| 9 | 9401H | Idler Arm | 43 | 1002P | Lockwasher 1/2 |
| 10 | 5010P | E-Ring | 44 | 1000P | Lockwasher 5/16 |
| 11 | 624A38 | Idler Arm Support & Pivot | 45 | 504P | Hex Nut 3/16-18 |
| 12 | 4914H | Square Key 3/8 sq. | 46 | 508P | Hex Jam Nut 3/8-16 Go. |
| 13 | 4012P | Strut Elbow-Shd. 90° | 47 | 1511P | Washer 3/8 x 7/8 x 14 Go. |
| 14 | 3468R | Throttle Control Bracket | 48 | 1554P | Washer 13/32 x 7/8 x 14 Go. |
| 15 | 3473S | Throttle Control | 49 | 1527P | Washer 7/16 x 1 x 14 Go. |
| 16 | 190422 | Engine 8 H.P. Briggs and Stratton Type No. 0798-01 | 50 | 6991A | Drilled R.H. Rivet |
| 17 | --- | Scotchcol | 51 | 6881R | Clevis |
| 18 | 634A561 | Hitch Plate Weldment | 52 | 303P | Hex Nut 5/20 |
| 19 | 3427R | Time Shield | 53 | 1234P | Hex Bolt 5/20 x 3/4 |
| 20 | 634A557 | Time Plate & Hub R.H. (Less Tines) | 54 | 4531P | Hex Socket Hdless. Set Screw 5/16-18-3/8 |
| 21 | 4929H | Retainer Spring | 55 | 56P | Plow Bolt 5/16-18 x 2 |
| 22 | 4929H | Retainer Spring | 56 | 44P | Plow Bolt 3/8-16 x 1 1/2 |
| 23 | 2201H | Center Pin 5/32 x 1 | 57 | 3028P | Hex Bolt w/ext. Tooth |
| 24 | 4497H | Engine Sleeve | 58 | 6024P | Lockwasher 5/16-18 1/2 |
| 25 | 2471R | E-Ring | 59 | 3010P | Hex Bolt 5/16-18 x 3/4 |
| 26 | 6683H | Adjusting Pin | 60 | 6802R | Owners Manual |
| 27 | 6650H | Belt Retainer Link | | | |
| 28 | 6452H | Lever and Arm | | | |
| 29 | 634A60 | Belt Guard & Brackets | | | |
| 30 | 634A500 | Washer 13/32 x 7/8 x 14 Go. | | | |
| 31 | --- | Scotchcol | | | |
| 32 | 634A563 | Set of 2 Matched V-Belts | | | |
| 33 | 3091P | Hex Bolt 3/8-16 x 1 H.L. Grade 5 | | | |
| 34 | | | | | |

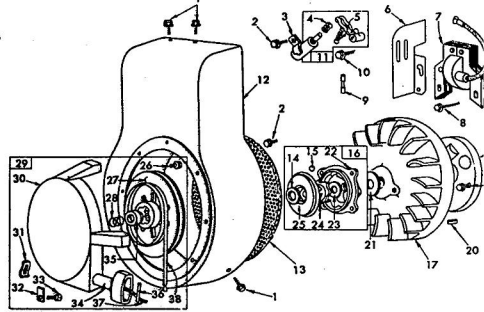
ROPER ROTO-TILLER ATTACHMENT--MODEL NO. TT5031R1
TRANSMISSION AND GAUGE WHEELS



ROPER ROTO-TILLER ATTACHMENT-MODEL NO. TT5031R1
TRANSMISSION AND GAUGE WHEELS

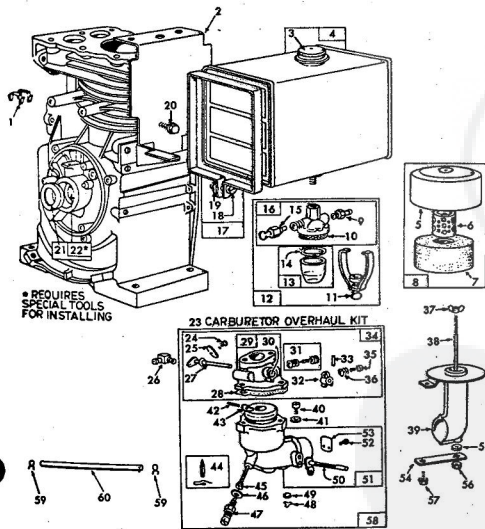
| KEY NO. | PART NO. | DESCRIPTION | KEY NO. | PART NO. | DESCRIPTION |
|---------|----------|--|---------|----------|--|
| 1 | 634A552 | Transmission | 29 | 634A58 | 1st Reduction Shaft and Gears |
| 2 | 4799A | Retainer Spring | 30 | 9820M1 | Woodruff Key 3/16 x 5/8 |
| 3 | 4799H | Drilled Pan Head Rivet 3/8 x 3/4 | 31 | 634A57 | Input Shaft and Pinion |
| 4 | 634A61 | Gauge Wheel Sleeve and Brackets | 32 | 5859H | Relief Valve |
| 5 | 634A559 | Gauge Wheel Adjusting Shaft and Brackets | 33 | 6679H | Gear Shift Cover |
| 6 | 3148R | Wheel | 34 | 4913H | Gasket |
| 7 | 4895H | Shoulder Bolt | 35 | 1485H | Lock Nut 5/16-18 |
| 8 | 1557P | Washer 12/22 x 13/16 x 11 Ga. | 36 | 4023P | Pipe Plug 1/4 N.P.T. |
| 9 | 514P | Lock Nut | 37 | 624A57 | Gear Case and Bearings |
| 10 | 5136R | Needle Bearing | 38 | 4878H1 | Gear Case Shield R.H. |
| 11 | 6677H | Needle Bearing Shell | 39 | 1001P | Lockwasher 3/8 |
| 12 | 4895H | Needle Bearing | 40 | 591P | Hex Nut 3/8-16 |
| 13 | 5924H | Hex Nut 3/8-20 | 41 | 1003P | Lockwasher 5/16 |
| 14 | 3472R | Input Sleeve | 42 | 594P | Hex Nut 5/16-18 |
| 15 | 4910H | Oil Seal | 43 | 7850H | Sprocket |
| 16 | 4895H | Needle Bearing | A | 3030P | Hex Bolt 3/8-16 x 2 1/2 |
| 17 | 4879H1 | Gear Case Shield L.H. | B | 5566P | Hex Hd. Roll Lock Topping Screw 3/16-18 x 3/4 |
| 18 | 624A56 | Gear Case and Bearings L.H. Heli | C | 3010P | Hex Bolt 5/16-18 x 2 |
| 19 | 2601R | Thrust Cap | D | 3012P | Flat Hd. Slotted Roll Lock Topping Screw 5/16-18 x 1 1/2 |
| 20 | 4879H | Thrust Cap and Sprocket | E | 5895P | Hex Nut 5/16-18 x 6 |
| 21 | 634A555 | Gasket | F | 3008P | Hex Bolt 5/16-18 x 1/2 |
| 22 | 4950H | Roller Link | G | | |
| 23 | 4749H | Connecting Link | | | |
| 24 | 2602R | Roller Chain | | | |
| 25 | 1370H | Thrust Bearing Race | | | |
| 26 | 9880A | Dowel Pin | | | |
| 27 | 4912H | Gasket | | | |
| 28 | 634A59 | 2nd Reduction Shaft and Gears | | | |

BRIGGS AND STRATTON ENGINE MODEL NO. 190402 - TYPE NO. 0780-01
STARTER AND MAGNETO FLYWHEEL



| KEY NO. | PART NO. | DESCRIPTION | KEY NO. | PART NO. | DESCRIPTION |
|---------|----------|--|---------|----------|---|
| 1 | 93158 | Screw-Sem. | 19 | 22117 | Cover-Breaker Point |
| 2 | 93042 | Screw-Sem. | 20 | 41760 | Key-Flywheel |
| 3 | 22047 | Clamp-Condenser | 21 | 21085 | Washer-Spring |
| 4 | 260374 | Spring-Connector | 22 | 21158 | Housing-Rewind Start |
| 5 | 26018 | Spring-Breaker Arm | 23 | 66718 | Washer-Strater Clutch |
| 6 | 221560 | Guide-Air | 24 | 298799 | Thrust |
| 7 | 298968 | Armature Assembly | 25 | 298799 | Rocket-Rewind Starter Clutch |
| 8 | 93581 | Screw-Armature Mtg. Sem | 26 | 221653 | Washer-Retaine |
| 9 | 65704 | Plunger-Breaker Point | 27 | 93067 | Screw-Rewind Starter Housing Mtg. Sem. |
| 10 | 93381 | Screw-Breaker Arm Mounting Sem | 28 | 295871 | Pulley-Rewind Start |
| 11 | 294628 | Breaker points and condenser set. Note: 299061 ignition kit includes 294628 point set 65704 plunger and 61760 key-flywheel | 29 | 295871 | Spring-Rocket |
| 12 | 299853 | Housing-Blower | 30 | 295001 | Starter Assy.-Rewind |
| 13 | 221796 | Screw-Rewind Starter | 31 | 221014 | Housing-Rewind Start |
| 14 | 66238 | Washer-Ratchet Sealing | 32 | 68846 | Anchor-Spring |
| 15 | 63770 | Ball-Clutch | 33 | 93254 | Bumper-Spring Pulley |
| 16 | 298798 | Clutch Assy.-Rewind Starter | 34 | 66728 | Screw-Pulley Bumper |
| 17 | 298240 | Flywheel-Magneto | 35 | 220343 | Mounting |
| 18 | 93014 | Screw-Sem | 36 | 230208 | Grip-Strater Rope |
| | | | 37 | 66564 | Adapter-Ratchet Spring |
| | | | 38 | 293033 | Pin-Strater Grip |
| | | | | | Rope-Rewind Starter Spring-Rewind Starter |

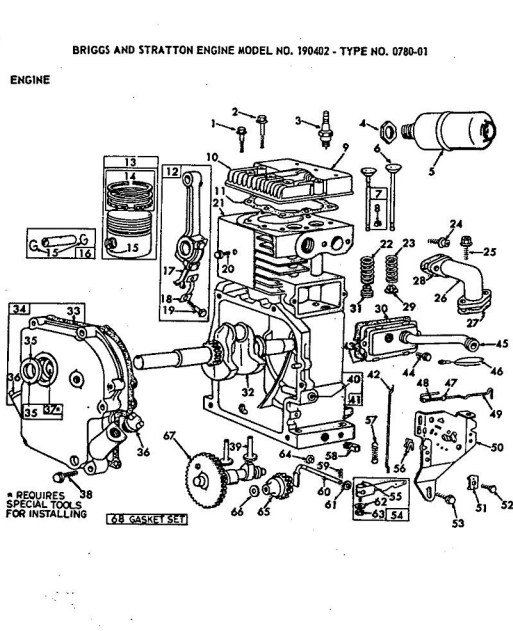
BRIGGS AND STRATTON ENGINE MODEL NO. 190402 - TYPE NO. 0780-01
ENGINE CARBURETOR AND AIR CLEANER



BRIGGS AND STRATTON ENGINE MODEL NO. 190402 - TYPE NO. 0780-01
ENGINE CARBURETOR AND AIR CLEANER

| KEY NO. | PART NO. | DESCRIPTION | KEY NO. | PART NO. | DESCRIPTION |
|---------|----------|--|---------|----------|---|
| 1 | 221907 | Clip-Wire | 31 | † 292681 | Valve Assembly-Carburetor |
| 2 | 221935 | Bracket-Fuel Tank | 32 | 61967 | Stop-Throttle |
| 3 | 49221 | Cup-Fuel Tank | 33 | 93043 | Pin-Throttle Stop |
| 4 | 290816 | Tank Assy.-Fuel | 34 | 390404 | Body Assembly-Upper Carburetor |
| 5 | 221468 | Cover-Air Cleaner | 35 | 91920 | Screw-Mech. Fil. Hd. Rb-32 x 5/8 |
| 6 | 280001 | Cup-Air Cleaner | 36 | 26157 | Spring-Throttle |
| 7 | 270093 | Element-Air Cleaner | 37 | 93453 | Nut-Wing |
| 8 | 390400 | Cleaner Assy-Air | 38 | 230768 | Stud-Air Cleaner |
| 9 | 230318 | Connector-Fuel Pipe | 39 | 390311 | Pipe Assy.-Air Cleaner |
| 10 | 22547 | Screen-Fuel Filter | 40 | 90746 | Screw-Mech. Fil. Hd. R10-32 x 3/8 |
| 11 | 99665 | Yoke-Fuel Filter | 41 | 92290 | Washer-Lock-No. 10 x 1/16 x 3/64 |
| 12 | 295984 | Filter Assembly-Fuel | 42 | † 230896 | Pin-Floot Hinge |
| 13 | 296883 | Body-Fuel Filter | 43 | 93219 | Pin-Carburetor |
| 14 | 48847 | Gasket-Fuel Filter | 44 | 299096 | Valve-Fuel Inlet |
| 15 | 295110 | Valve-Fuel Shut-off | 45 | † 980595 | Nozzle-Carburetor |
| 16 | 296005 | Cover Assembly-Fuel | 46 | † 68667 | Gasket-Nozzle |
| 17 | 91367 | Strap Assy.-Fuel Tank | 47 | † 93525 | Valve Assembly-Needle |
| 18 | 91257 | Screw-Mech. Fil. Hd. 1/2-20 x 1 1/2 | 48 | 220521 | Retainer-Carburetor |
| 19 | 90970 | Nut-Square 1/2-20 | 49 | 27590 | Drain Filter |
| 20 | 93355 | Screw-Sems | 50 | 390669 | Filter-Carburetor Drain |
| 21 | 294606 | Stud-Oil | 51 | 390781 | Shaft and Lever-choke Carburetor |
| 22 | 295962 | Bushing-Cylinder | 52 | 93008 | Body Assy-Lever Carburetor |
| 23 | 295938 | Note: Requires special tools for installation Carburetor Over Haul Kit | 53 | 62872 | Screw-Throttle and Choke Valve Mtg. Sem |
| 24 | 93038 | Screw-Throttle and Choke Valve Mtg. Sem | 54 | 222150 | Valve-choke |
| 25 | 62940 | Valve Throttle | 55 | 66648 | Strap-Air Cleaner Pipe |
| 26 | 67218 | Connector-Fuel Pipe | 56 | 92129 | Gasket-Air Cleaner Stud |
| 27 | 238606 | Shaft and Lever-Throttle | 57 | 92158 | Nut-Hex 1/2-28 |
| 28 | † 27918 | Gasket-Carburetor Body | 58 | 390680 | Screw-Sem |
| 29 | 390503 | Body-Upper Carburetor | 59 | 39053 | Clamp-Fuel Pipe |
| 30 | 23108 | Bushing-Throttle Shaft | 60 | 299742 | Pipe-Fuel |

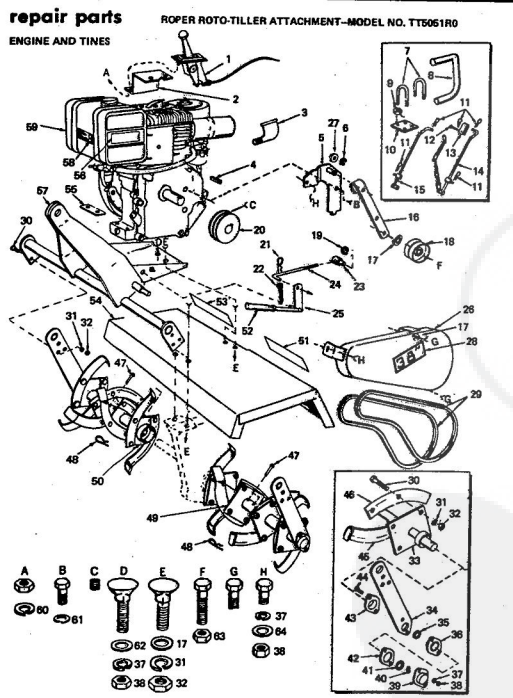
† Included in gasket set part no. 29957
† Included in carburetor overhaul kit part no. 295938



BRIGGS AND STRATTON ENGINE MODEL NO. 190402 - TYPE NO. 0780-01

| KEY NO. | PART NO. | DESCRIPTION | KEY NO. | PART NO. | DESCRIPTION |
|---------|----------|---|---------|----------|--|
| 1 | 93210 | Screw-Cylinder Head (2-9/32 long) | 22 | 26828 | Spring-Exhaust Val |
| 2 | 93211 | Screw-Cylinder Head (2-9/16 long) | 23 | 65906 | Spring-Intake Valve |
| 3 | 298809 | Plug-Spark Note: Spark plug 298809 use ignition cable terminal no. | 24 | 93208 | Screw-Intake Elbow Mounting Sem. |
| 4 | 91242 | 221796 | 25 | 93128 | Mounting Sem. |
| 5 | 390249 | Locknut-Muffler | 26 | 211812 | Elbow-Intake |
| 6 | 261055 | Valve-Intake | 27 | 270684 | Gasket-Intake Elbow |
| 7 | 390419 | Valve-Exhaust | 28 | 27828 | Gasket-Intake Elbow |
| 8 | 93630 | Retainer-Exhaust Valve Retenail (2) | 29 | 221596 | Retainer-Intake Val |
| 9 | 221901 | Cover-Cylinder Head | 30 | 27883 | Gasket-Valve Cover |
| 10 | 211778 | Head-Cylinder | 31 | 27260 | Retenail-Exhaust V |
| 11 | 270430 | Gasket-Cylinder Head | 32 | 261077 | Crankshaft |
| 12 | 370401 | Rod Assy-Connecting Note: For connecting rod with .020" undersize use main bore order no. 390775 | 33 | 27750 | Gasket-Crankcase c 1/64" thick |
| 13 | 390347 | Piston-Assembly Std. | 34 | 299167 | Gasket-Crankcase c .005" thick |
| | 390348 | Piston Assy. .010" O.S. | 35 | 298423 | Gasket-Crankcase c .009" thick |
| | 390349 | Piston Assy. .020" O.S. | 36 | 44748 | Cover Assy-Crank Seal-Gil |
| | 390350 | Piston Assy. .030" O.S. | 37 | 205964 | Plug-Gil Filler Bushing-Crankcase (Note: Requires spec tools for installation) |
| | | Note: For chrome ring set standard size order no. 299743 | 38 | 93585 | Screw-Crankcase con mounting sem. |
| 14 | 299569 | Ring Set-Piston-std. Consists of 211637 piston ring comp. top end, 211638 piston ring comp. center end, 211635 piston ring oil std. | 39 | 260933 | 260933 |
| | | Consists of 211637 piston ring comp. top end, 211638 piston ring comp. center end, 211635 piston ring oil std. | 40 | 232643 | 232643 |
| | | Consists of 211637 piston ring comp. top end, 211638 piston ring comp. center end, 211635 piston ring oil std. | 41 | 395399 | 395399 |
| | | Consists of 211637 piston ring comp. top end, 211638 piston ring comp. center end, 211635 piston ring oil std. | 42 | 260872 | 260872 |
| | | Consists of 211637 piston ring comp. top end, 211638 piston ring comp. center end, 211635 piston ring oil std. | 43 | 290231 | 290231 |
| | | Consists of 211637 piston ring comp. top end, 211638 piston ring comp. center end, 211635 piston ring oil std. | 44 | 93336 | 93336 |
| | | Consists of 211637 piston ring comp. top end, 211638 piston ring comp. center end, 211635 piston ring oil std. | 45 | 67068 | 67068 |
| | | Consists of 211637 piston ring comp. top end, 211638 piston ring comp. center end, 211635 piston ring oil std. | 46 | 299500 | 299500 |
| | | Consists of 211637 piston ring comp. top end, 211638 piston ring comp. center end, 211635 piston ring oil std. | 47 | 221198 | 221198 |
| | | Consists of 211637 piston ring comp. top end, 211638 piston ring comp. center end, 211635 piston ring oil std. | 48 | 261119 | 261119 |
| | | Consists of 211637 piston ring comp. top end, 211638 piston ring comp. center end, 211635 piston ring oil std. | 49 | 261122 | 261122 |
| | | Consists of 211637 piston ring comp. top end, 211638 piston ring comp. center end, 211635 piston ring oil std. | 50 | 92613 | 92613 |
| | | Consists of 211637 piston ring comp. top end, 211638 piston ring comp. center end, 211635 piston ring oil std. | 51 | 221535 | 221535 |
| | | Consists of 211637 piston ring comp. top end, 211638 piston ring comp. center end, 211635 piston ring oil std. | 52 | 93496 | 93496 |
| | | Consists of 211637 piston ring comp. top end, 211638 piston ring comp. center end, 211635 piston ring oil std. | 53 | 93535 | 93535 |
| | | Consists of 211637 piston ring comp. top end, 211638 piston ring comp. center end, 211635 piston ring oil std. | 54 | 299165 | 299165 |
| | | Consists of 211637 piston ring comp. top end, 211638 piston ring comp. center end, 211635 piston ring oil std. | 55 | 92613 | 92613 |
| | | Consists of 211637 piston ring comp. top end, 211638 piston ring comp. center end, 211635 piston ring oil std. | 56 | 297472 | 297472 |
| | | Consists of 211637 piston ring comp. top end, 211638 piston ring comp. center end, 211635 piston ring oil std. | 57 | 261194 | 261194 |
| | | Consists of 211637 piston ring comp. top end, 211638 piston ring comp. center end, 211635 piston ring oil std. | 58 | 91064 | 91064 |
| | | Consists of 211637 piston ring comp. top end, 211638 piston ring comp. center end, 211635 piston ring oil std. | 59 | 93006 | 93006 |
| | | Consists of 211637 piston ring comp. top end, 211638 piston ring comp. center end, 211635 piston ring oil std. | 60 | 230642 | 230642 |
| 15 | 68546 | Lock-Piston Pin | 61 | 221539 | 221539 |
| 16 | 25840 | Pin Assy-Piston-Std. | 62 | 290609 | 290609 |
| 17 | 25841 | Pin Assy-Piston.005" O.S. | 63 | 93334 | 93334 |
| 18 | 22213 | Dipper-Connecting Rod | 64 | 93307 | 93307 |
| 19 | 22214 | Lock-Conn. Rod Screw | 65 | 297456 | 297456 |
| 20 | 93163 | Screw-Connecting Rod Mtg. Sem. | 66 | 212151 | 212151 |
| | | | 67 | 210278 | 210278 |
| 21 | 221898 | Sh.-Int-Cylinder | 68 | 299577 | 299577 |

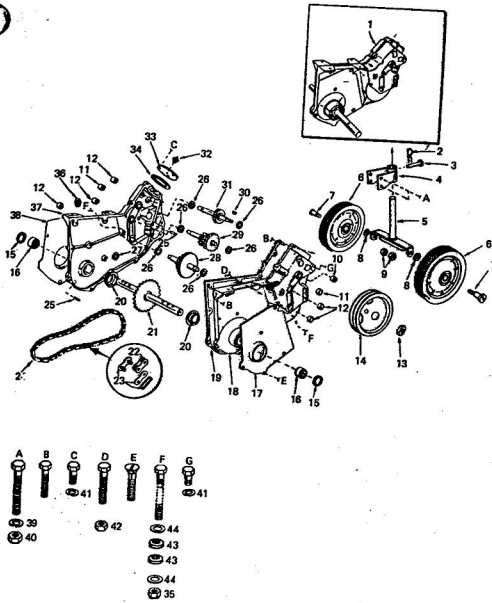
* Included in gasket set Part no. 299577



ROPER ROTO-TILLER ATTACHMENT-MODEL NO. TT5061R0

| KEY NO. | PART NO. | DESCRIPTION | KEY NO. | PART NO. | DESCRIPTION |
|---------|----------|---------------------------------------|---------|----------|---|
| 1 | 7093R | Throttle Control | 46 | 6713H | Time, R.H. |
| 2 | 3468R | Throttle Control Bracket | 47 | 4929H | Drilled Pan Hd. Rivet, 3/8 x 3/4 |
| 3 | 4012P | Straight Elbow-Std. 90° | 48 | 3146R | Retainer Spring |
| 4 | 4914H | Square Key, 1/4 sq. | 49 | 634A556 | Time Plate & Hub, L.H. (Less Tines) |
| 5 | 624A38 | Idle Arm Support & Pivot | 50 | 634A557 | Time Plate & Hub, R.H. (Less Tines & Outer Time Pl) |
| 6 | 6018P | E-Ring | 51 | 7083R | Scotchval |
| 7 | 6678H | U-Bolt | 52 | 4379H | Scotchval Handle Grip |
| 8 | 3467R | Lift Handle Extension | 53 | 7084R | Scotchval |
| 9 | 645P | Gripco Crown Locknut, 3/8-16 | 54 | 3467R | Time Shield |
| 10 | 6665H | U-Bolt Plate | 55 | 7061R | Engine Base Strap |
| 11 | 4839M | Retainer Spring | 56 | 7034R | Scotchval, 8 H.P. |
| 12 | 6881A | Drilled R.H. Rivet | 57 | 634A717 | Hitch Plate Weldment |
| 13 | 6881R | Clears | 58 | 7061R | Scotchval, Roto-Tiller |
| 14 | 634A707 | Lift Link and Chain-R.H. | 59 | 634A714 | Engine, 8 H.P., Briggs & Stratton 190402 |
| 15 | 634A702 | Lift Link & Stop-L.H. | 60 | 1002P | Lockwasher, 1/4 |
| 16 | 9401H | Idle Arm | 61 | 1000P | Lockwasher, 1/2 |
| 17 | 1556P | Washer, 13/32 x 7/8 x 14 Ga. | 62 | 1611P | Washer, 3/8 x 7/8 x 14 Ga. |
| 18 | 3475R | Idle Pulley | 63 | 608P | Hex Jam Nut, 3/8-16 |
| 19 | 6663H | E-Ring | 64 | 1532P | Washer, 11/32 x 11/16 x 16 Ga. |
| 20 | 3471R | Engine Sheave | A | 503P | Hex Nut, 1/4-20 |
| 21 | 4497H | Retainer Spring | B | 3234P | Hex Bolt, 1/2-20 x 3/4 |
| 22 | 2501P | Cotter Pin, 5/32 x 1 | C | 4531P | Hex Socket Headless Set Screw, 5/16-18 x 3/8 |
| 23 | 6656H | Adjusting Pin | D | 56P | Flaw Bolt, 5/16-18 x 2 |
| 24 | 6652H | Belt Retainer Link | E | 44P | Flaw Bolt, 3/8-16 x 1-1/4 |
| 25 | 634A80 | Lever and Arm | F | 3028P | Hex Bolt w/Ext. Tooth Lockwasher, 5/16-18 x 3/4 |
| 26 | 634A718 | Belt Guard & Brackets | G | 6024P | Hex Bolt, 5/16-18 x 3/4 |
| 27 | 1518P | Washer 15/32 x 11/16 x 16 Ga. | H | 3010P | Hex Bolt, 5/16-18 x 3/4 |
| 28 | 7062P | Scotchval | | 7089R | Owner's Manual |
| 29 | 634A863 | Set of 2 Matched V-Belts | | | |
| 30 | 3091P | Hex Bolt, 3/8-16 x 1, H.T. Grade 5 | | | |
| 31 | 1004P | Lockwasher, 3/8 | | | |
| 32 | 501P | Hex Nut, 3/8-16 | | | |
| 33 | 634A716 | Time Shaft-Outer, Plate & Shield | | | |
| 34 | 7050R | End Plate, Outer | | | |
| 35 | 7067R | Oil Seal | | | |
| 36 | 634A719 | Outer Bearing & Seal Lockwasher, 5/16 | | | |
| 37 | 1002P | Lockwasher, 1/4 | | | |
| 38 | 504P | Hex Nut, 5/16-18 | | | |
| 39 | 634A720 | Dust Cap & Gress Fitting | | | |
| 40 | 1306H | Roll Pin, 1/4 x 1-1/2 | | | |
| 41 | 7396H | Thrust Bearing Race | | | |
| 42 | 7094R | Gasket | | | |
| 43 | 7056R | Dust Shield | | | |
| 44 | 6133P | Hex Bolt, 5/16-18 x 1-1/4, Grade 5 | | | |
| 45 | 6712H | Time, L.H. | | | |

ROPER ROTO-TILLER ATTACHMENT—MODEL NO. TT5061R0
TRANSMISSION AND GAUGE WHEELS

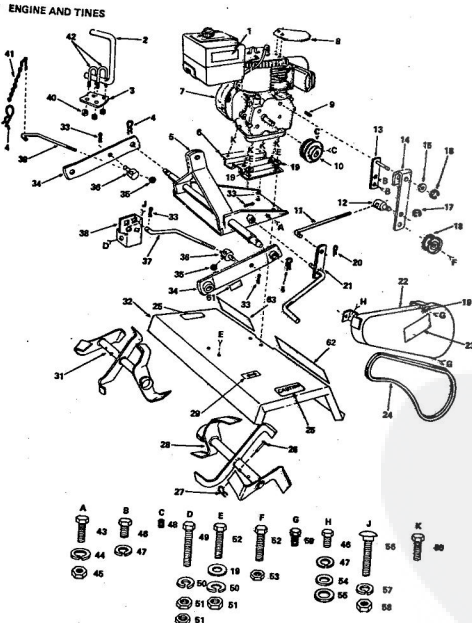


ROPER ROTO-TILLER ATTACHMENT—MODEL NO. TT5061R0
TRANSMISSION AND GAUGE WHEELS

| KEY NO. | PART NO. | DESCRIPTION | KEY NO. | PART NO. | DESCRIPTION |
|---------|----------|--|---------|----------|---|
| 1 | 634A52 | Transmission | 27 | 4912H | Gasket |
| 2 | 4930H | Retainer Spring | 28 | 634A59 | 2nd Reduction Shaft and Gear |
| 3 | 4929H | Drilled Pan Head Rivet, 3/8 x 3/4 | 29 | 634A58 | 1st Reduction Shaft and Gear |
| 4 | 634A61 | Gauge Wheel Sleeve and Brackets | 30 | 8858M1 | Woodruff Key, 3/16 x 5/8 |
| 5 | 634A59 | Gauge Wheel Adjusting Shaft and Brackets | 31 | 634A57 | Input Shaft and Pinion |
| 6 | 3148R | Wheel | 32 | 6856H | Relief Valve |
| 7 | 4958H | Shoulder Bolt | 33 | 6872H | Gear Shift Cover |
| 8 | 1557P | Washer, 13/32 x 13/16 x 11 Ga. | 34 | 4913H | Gasket |
| 9 | 514P | Locknut | 35 | 1858H | Locknut 5/16-18 |
| 10 | 3136R | Needle Bearing | 36 | 4002P | Pipe Plug, 1/2 14 M.P.T. |
| 11 | 8877H | Needle Bearing Shell | 37 | 624A57 | Gear Case and Bearings, R.H. Half |
| 12 | 4955H | Hex Nut 1/2-20 | 38 | 4878H1 | Gear Case Shield, R.H. |
| 13 | 9204H | Input Sheave | 39 | 1004P | Lockwasher, 3/8 |
| 14 | 3472R | Oil Seal | 40 | 501P | Hex Nut, 3/8-16 |
| 15 | 4910H | Needle Bearing | 41 | 1003P | Lockwasher, 5/16 |
| 16 | 3039R | Gear Case Shield, L.H. | 42 | 504P | Hex Nut, 5/16-18 |
| 17 | 4977H1 | Gear Case and Bearings, L.H. Half | 43 | 7850R | Spacer |
| 18 | 624A58 | Gasket | 44 | 1537P | Washer 11/32 x 11/16 x 10 Ga. |
| 19 | 2901R | Thrust Cap | A | 3030P | Hex Bolt, 3/8-18 x 2-1/4 |
| 20 | 4970H | Tire Shaft and Sprocket | B | 5586P | Hex Hd. Roll Lock Tapping Screw, 5/16-18 x 1-1/2 |
| 21 | 634A55 | Roller Link | C | 3010P | Hex Bolt, 5/16-18 x 3/4 |
| 22 | 4969H | Connecting Link | D | 3015P | Hex Bolt, 5/16-28 x 2 |
| 23 | 2600R | Roller Chain | E | 5958P | Flat Hd. Slotted Roll Lock Tapping Screw, 5/16-18 x 1-1/2 |
| 24 | 8880M | Dowel Pin | F | 3018P | Hex Bolt, 5/16-18 x 6 |
| 25 | 1370H | Thrust Bearing Race | G | 3008P | Hex Bolt, 5/16-18 x 1/2 |

REPAIR PARTS:

ROTO-TILLER ATTACHMENT—MODEL NO. TT517AR



ROTO-TILLER ATTACHMENT—MODEL NO. TT517AR

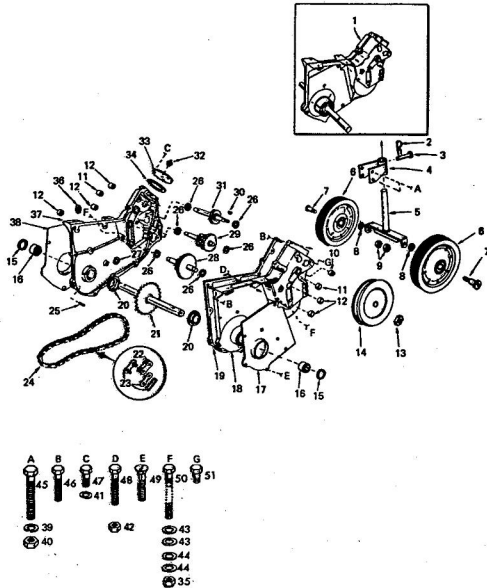
ENGINE AND TINES

| KEY NO. | PART NO. | DESCRIPTION | KEY NO. | PART NO. | DESCRIPTION |
|---------|------------|--|---------|----------|---|
| 1 | 9989R | Decal | 33 | 2501P | *Cotter Pin 5/32 x 1 |
| 2 | 3457R | Lift Handle - Extension | 34 | 826A399 | Lower Hitch Bar and Bushings |
| 3 | 9956H | U-Block Plate | 35 | 8204H | Locknut 1/2 - 20 UNF |
| 4 | 4940M | Retainer Spring | 36 | 8214R | Lift Link Swivel |
| 5 | 828A400 | Hitch Channel Weldment | 37 | 7755R | Lift Link - L.H. |
| 6 | 8215R | Engine Base | 38 | 9773R | Lever Stop Bracket |
| 7 | H06-75461K | Engine 8 H.P. (Order from your local Tractor Service Dealer) | 39 | 7756R | Lift Link - R.H. |
| 8 | 8213R | Square Key 1/4 x 1 - 1/4 | 40 | 545P | Orifice Crown Locknut 3/8 - 16 UNC |
| 9 | 4914H | Engine Shave | 41 | 8232R | Chain and Cotter Pin |
| 10 | 8249R | Belt Tightener Link | 42 | 3004P | U-Bolt |
| 11 | 6862H | Adjusting Pin | 43 | 1000P | *Lockwasher 1/4 |
| 12 | 624A12 | Idle Support Plate and Pivot | 44 | 503P | *Hex Nut 1/4 - 20 UNC |
| 13 | 9969H | Idle Arm | 45 | 3064P | *Hex Bolt 5/16 - 24 x 3/4 |
| 14 | 8401H | Washer 18/32 x 11/16 x 18 Ga. | 46 | 1003P | *Lockwasher 5/16 |
| 15 | 1518P | E-Ring | 47 | 4537P | *Forged Socket Headless Set Screw 5/16 - 18 x 3/8 |
| 16 | 5015P | E-Ring | 48 | 3288P | *Hex Bolt 3/8 - 16 x 2 Full Thread |
| 17 | 6883H | Idle Pulley | 49 | 501P | *Lockwasher 3/8 |
| 18 | 4933H | Washer 13/32 x 7/8 x 14 Ga. | 50 | 3027P | *Hex Nut 3/8 - 16 UNC |
| 19 | 1536P | Retainer Spring | 51 | 508P | *Hex Bolt 3/8 - 16 x 1 - 1/2 |
| 20 | 4497H | Lever and Arm | 52 | 1537P | *Hex Nut 1/2 - 13 x 11 |
| 21 | 8256A430 | Decal | 53 | 508P | *Hex Bolt with Sems Ext. Lockwasher 5/16 - 18 UNC x 3/4 |
| 22 | 624A13A | Belt Guard and Supports | 54 | 1537P | *Washer 11/32 x 13/16 x 11 Ga. |
| 23 | 9851H | Decal | 55 | 60P | *Carriage Bolt Sq. Neck Short Shoulder 1/2 - 13 x 11 |
| 24 | 8225R | Weldnut | 56 | 1000P | *Lockwasher 1/2 |
| 25 | 8218R | Caution Decal | 57 | 802P | *Hex Nut 1/2 - 13 UNC |
| 26 | 4920H | Drilled Pan Hd. Rivet 3/8 x 1 - 3/4 | 58 | 9204P | Hex Bolt with Sems Ext. Lockwasher 5/16 - 18 UNC x 3/4 |
| 27 | 3148R | Retainer Spring | 59 | 802P | Hex Hd. Cap Screw 5/16 - 18 x 13/16 |
| 28 | 626A01 | Time Weldment - L.H. | 60 | 3323P | Decal |
| 29 | 8212R | "On - Off" Decal | 61 | 8798H | Decal - Roto-Tiller |
| 30 | 626A02 | Time Weldment - R.H. | 62 | 8642R | Decal - Roper |
| 31 | 8224R | Time Shield | 63 | 8643R | Decal - Roper |
| 32 | 8224R | Time Shield | 64 | 8646R | Owners Manual |

*STANDARD HARDWARE—PURCHASE LOCALLY

ROTO-TILLER ATTACHMENT-MODEL NO. TT517AR

TRANSMISSION AND GAUGE WHEELS



ROTO-TILLER ATTACHMENT-MODEL NO. TT517AR

TRANSMISSION AND GAUGE WHEELS

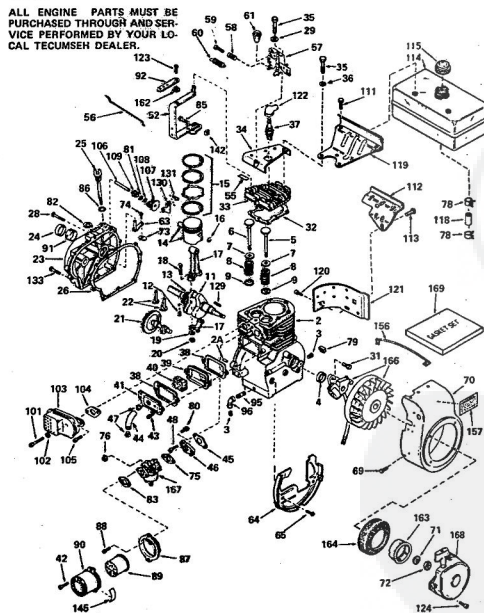
| KEY NO. | PART NO. | DESCRIPTION | KEY NO. | PART NO. | DESCRIPTION |
|---------|----------|--|---------|----------|--|
| 1 | 834A52 | Transmission | 29 | 634A58 | 1st Reduction Shaft and Gear |
| 2 | 42294 | Retainer Spring | 30 | 868M1 | Woodruff Key 3/16 x 5/8 |
| 3 | 4229H | Drilled Pin Head Rivet 3/8 x 1 - 3/4 | 31 | 634A57 | Input Shaft and Pinion |
| 4 | 834A51 | Gauge Wheel Sleeve and Brackets | 32 | 585EH | Relief Valve |
| 5 | 834A59 | Gauge Wheel Adjusting Shaft and Bracket | 33 | 6872H | Gear Shift Cover |
| 6 | 3146R | Wheel | 34 | 4913H | Gasket |
| 7 | 4989H | Shoulder Bolt | 35 | 1885H | *Locknut 5/16 - 18 UNC |
| 8 | 1587P | *Washer 13/32 x 13/16 x 11 Ga. | 36 | 4022P | *Pin Plug 1/2 - 14 H.P.T. |
| 9 | 514P | *Locknut 3/8 - 18 UNC Nylon | 37 | 624A57 | Gear Case and Bearings R.H. Half (Incl. Key No. 1, 12, 16 & 20) |
| 10 | 3136R | Needle Bearing | 38 | 4978H1 | Gear Case Shield R.H. |
| 11 | 6877H | Needle Bearing Shell | 39 | 1004P | *Lockwasher 3/8 |
| 12 | 4956H | Needle Bearing | 40 | 501P | *Hex Nut 3/8 - 18 UNC |
| 13 | 9204H | Lock Nut 1/2 - 20 UNF | 41 | 1003P | *Lockwasher 5/16 |
| 14 | 4832H | Input Shave | 42 | 504P | *Hex Nut 5/16 - 18 UNC |
| 15 | 4912H | Oil Seal | 43 | 7850H | Sprocket |
| 16 | 3039R | Needle Bearing | 44 | 1531P | *Washer 11/32 x 1 1/16 x 18 Ga. |
| 17 | 4877H1 | Gear Case Shield L.H. | 45 | 3032P | *Hex Bolt 3/8 - 16 x 2 - 1/4 |
| 18 | 834A59 | Gear Case and Bearings L.H. Half (Incl. Key No. 10, 12, 16 & 20) | 46 | 5585P | Hex Hd. Roll-Lok Thd. Forming Screw 5/16 - 18 x 1 - 1/2 |
| 19 | 2801R | Gasket | 47 | 3010P | *Hex Bolt 5/16 - 18 x 3/4 |
| 20 | 4870H | Thrust Cap | 48 | 3015P | *Hex Bolt 5/16 - 18 x 2 |
| 21 | 834A55 | Tine Shaft and Sprocket | 49 | 5585P | Flat Hd. Slotted Roll-Lok Thd. Forming Screw 5/16 - 18 x 1 - 1/2 |
| 22 | 4956H | Noise Link | 50 | 3018P | *Hex Bolt 5/16 - 18 x 6 |
| 23 | 4949H | Connecting Link | 51 | 3008P | *Hex Bolt 5/16 - 18 x 1/2 |
| 24 | 2800R | Roller Chain | | | |
| 25 | 1370H | Thrust Bearing Race | | | |
| 26 | 4912H | Gasket | | | |
| 27 | 834A59 | 2nd Reduction Shaft and Gears | | | |
| 28 | | | | | |

*STANDARD HARDWARE-PURCHASE LOCALLY

ROTO-TILLER ATTACHMENT-MODEL NO. TT517AR
TECUMSEH ENGINE-MODEL NO. H60-75451K

ENGINE

ALL ENGINE PARTS MUST BE PURCHASED THROUGH AND SERVICE PERFORMED BY YOUR LOCAL TECUMSEH DEALER.

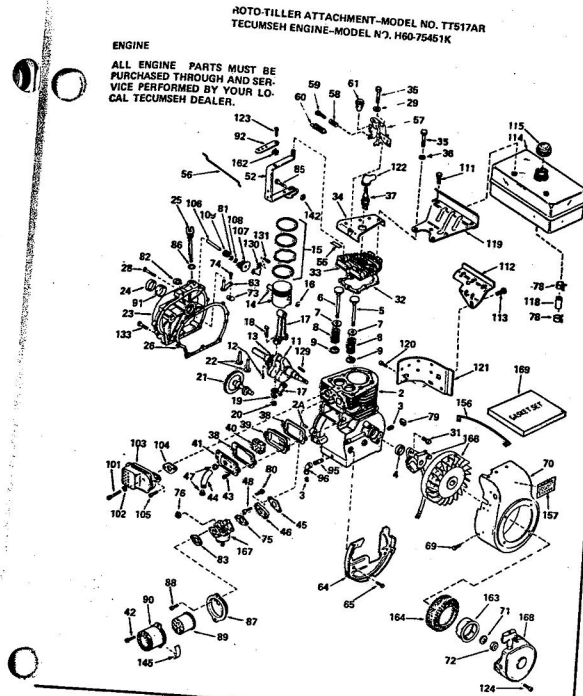


ROTO-TILLER ATTACHMENT-MODEL NO. TT517AR
TECUMSEH ENGINE-MODEL NO. H60-75451K

ENGINE

| KEY NO. | PART NO. | DESCRIPTION | KEY NO. | PART NO. | DESCRIPTION |
|---------|----------|--|---------|----------|---|
| 1 | 666192 | Complete Engine | 39 | 28423 | Body, Breather |
| 2 | 33311B | Cylinder Assembly (Incl. Nos. 2, 4 & 5) | 40 | 28424 | Element, Breather |
| 2A | 27652 | Pin, Dowel | 41 | 28425 | Cover, Valve spring |
| 3 | 27642 | Plug, Sq. hd. pipe (oil drain) | 42 | 650122 | Screw, Phil. slotted hd. Sems, 8-32 x 3/8 |
| 4 | 27875B | Seal, Oil | 43 | 650128 | Screw, Phil. slotted hd. Sems, 10-24 x 1/2 |
| 5 | 32783 | Valve, Intake (Standard) (Incl. No. 9) | 44 | 33447 | Tube, Breather |
| 5 | 32784 | Valve, Intake (1/32" oversize) (Incl. No. 9) | 45 | *27915 | Gasket, Intake |
| 6 | 27878A | Valve, Exhaust (Standard) (Incl. No. 9) | 46 | 30195A | Flange, Carburetor (Incl. Nos. 75 & 80) |
| 6 | 27880A | Valve, Exhaust (1/32" oversize) (Incl. No. 9) | 47 | 32446 | Grommet, Breather tube |
| 7 | 27882 | Cap, Upper valve spring | 48 | 30196 | Screw, Phil. hd. mach., P.C.R., 5/16-18 x 3/4 |
| 8 | 27881 | Spring, Valve | 52 | 32326A | Lever, Governor |
| 9 | 32531 | Cap, Lower valve spring | 55 | 33107 | Decal, Control |
| 11 | 30799 | Crankshaft Assy. (Incl. Nos. 12 & 13) | 56 | 31710 | Link, Governor lever-to-throttle |
| 12 | 29783 | Pin, Crankshaft gear | 57 | 31726A | Bracket Assy., Speed control (Incl. Nos. 55, 59 & 61) |
| 13 | 27884 | Gear, Crankshaft | 58 | 28569 | Spring, Compression |
| 14 | 33312 | Piston & Pin Assy. (Standard) (Incl. 2 of No. 16) | 59 | 29500 | Screw, Slotted fil. hd. Sems, 8-32 x 3/4 |
| 14 | 33313 | Piston & Pin Assy. (.010 oversize) (Incl. 2 of No. 16) | 60 | 30403 | Spring, Extension |
| 14 | 33314 | Piston & Pin Assy. (.020 oversize) (Incl. 2 of No. 16) | 61 | 32410 | Knob, Speed control |
| 15 | 33315 | Ring Set, Piston (Standard) | 63 | 30699C | Rod Assy., Governor (Incl. Nos. 73 & 74) |
| 15 | 33316 | Ring Set, Piston (.010 oversize) | 64 | 29536 | Bracket, Blower housing |
| 15 | 33317 | Ring Set, Piston (.020 oversize) | 65 | 650561 | Screw, Phil. hex hd. Sems, 1/4-20 x 5/8 |
| 16 | 27888 | Ring, Piston pin retaining | 69 | 29747A | Screw, Hex hd. Sems, cap, 5/16-24 x 3/4 |
| 17 | 31380C | Rod Assy., Connecting (Incl. Nos. 18, 19 & 20) | 70 | 32156C | Housing, Blower |
| 18 | 30682 | Bolt, Connecting rod | 71 | 650489 | Washer, Belleville |
| 19 | 28078 | Washer, Connecting rod | 72 | 8115 | Nut, Crankshaft |
| 20 | 28564 | Nut, Lock | 73 | 30700 | Yoke, Governor |
| 21 | 33156 | Camshaft (Compression Release) | 74 | 650494 | Screw, Phil. fil. hd. Sems, 6-40 x 5/16 |
| 22 | 34034 | Lifter, Valve | 75 | *31888 | Gasket, Carburetor |
| 23 | 31303B | Cover, Cylinder (Incl. Nos. 24, 25 & 106) | 76 | 29752 | Nut & Lockwasher, 1/4-28 |
| 24 | 28427 | Dipstick, Oil (Incl. No. 86) | 78 | 29460 | Clamp, Fuel line |
| 25 | *30694 | Gasket, Cylinder cover | 79 | 27275 | Clip, Wire |
| 28 | 650488 | Screw, Hex hd. Sems, 1/4-20 x 1-1/4 | 80 | 650572 | Screw, Phil. flat hd. Sems, 1/4-28 x 1-1/8 |
| 29 | 28073 | Washer, Flat, 5/16" | 81 | 30590A | Washer, Flat |
| 31 | 650489 | Screw, Hex hd. Sems, 1/4-20 x 5/8 | 82 | 29842 | Ring, Retaining |
| 32 | *28938B | Gasket, Cylinder head | 83 | *27272 | Gasket, Air cleaner |
| 33 | 30938A | Head, Cylinder | 85 | 29826 | Screw, Hex slotted washer hd. mach., 10-32 x 3/4 |
| 34 | 30939A | Cover, Cylinder head | 86 | *29873 | Gasket, Dipstick |
| 35 | 650697 | Screw, Hex hd. cap, 5/16-18 x 2-1/2 | 87 | 31708 | Bracket, Air cleaner |
| 36 | 650691 | Washer, Flat | 88 | 29820 | Screw, Phil. fil. hd. mach. Sems, 10-32 x 1/2 |
| 37 | 33636 | Plug, Spark | 89 | 31700 | Element, Air cleaner |
| 38 | *27896 | Gasket, Valve spring cover | | | |

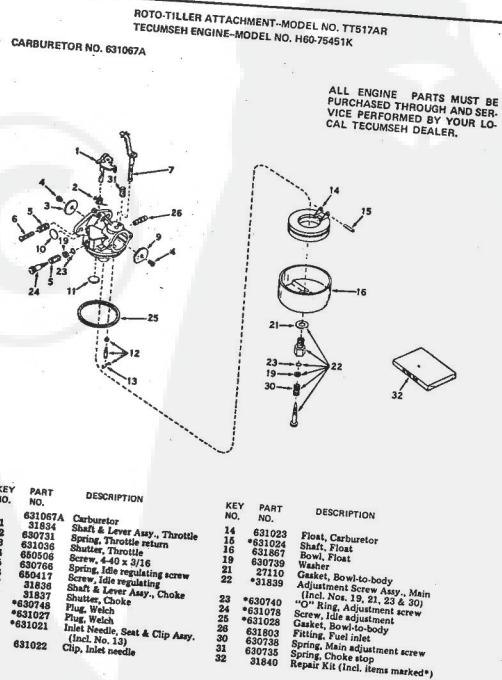
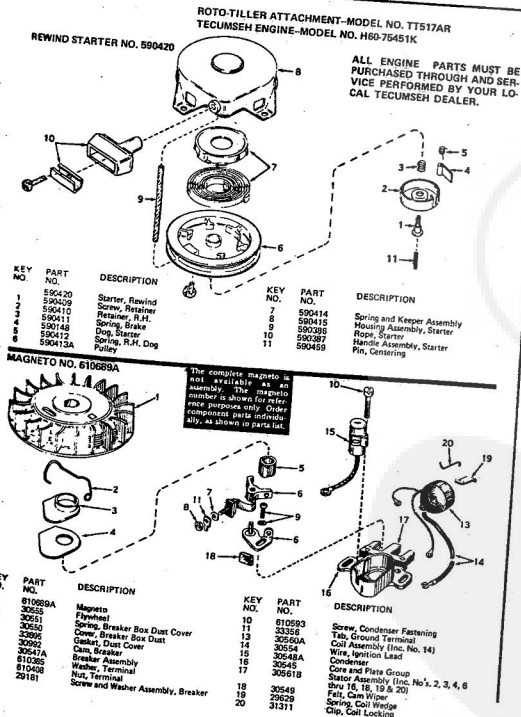
*Indicates Parts Included in Gasket Set, Ref. No. 169.

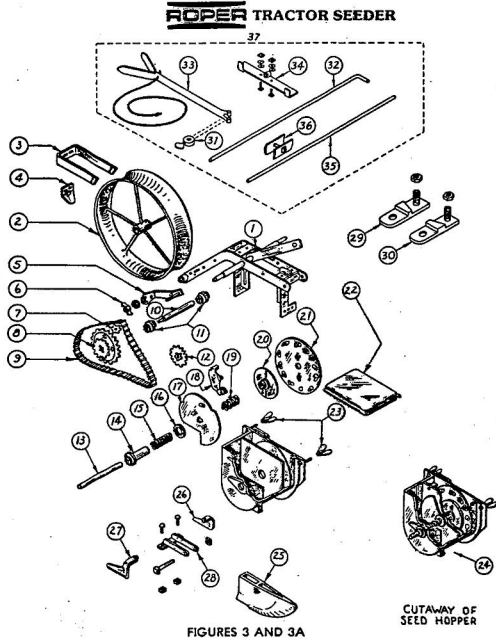


ROTO-TILLER ATTACHMENT-MODEL NO. TT517AR
TECUMSEH ENGINE-MODEL N^o. H60-75451K

| KEY PART NO. | DESCRIPTION | KEY PART NO. | DESCRIPTION |
|--------------|---|--------------|---|
| 90 | 21692 Body, Air cleaner | 123 | 650648 Screw, Hex slotted wash 8-32 x 3/8 |
| 91 | 21646 Bracket, Governor adjusting | 124 | 29716 Screw, Flat pan hd. 1/4-28 x 7/16 |
| 92 | 30205 Nipple, Pipe | 129 | 30884 Key, Flywheel |
| 93 | 30965 Elbow, Oil drain | 130 | 31843A Bracket, Governor gear |
| 96 | 32214 Screw, Hex hd. cap. 5/16-18 x 2 | 131 | 28763 Screw, Hex washer hd., t forming, 10-24 x 1/2 |
| 101 | 650694 Screw, Hex hd. cap. 5/16-18 x 2 | 133 | 650488 Screw, Hex hd. Sema, 1/4-28 x 1 3/4 |
| 102 | 28073 Washer, Flat, 5/16" | 142 | 29216 Nut, Square, 10-32 |
| 103 | 22401 Muffler | 145 | 31871A Decal, Air cleaner |
| 104 | 27830 Gasket, Fuel hd. mach., P.C.R., 8/16-18 x 3/4 | 146 | 25488 Wire, Ground |
| 105 | 30196 Screw, Flat hd. Sema, P.C.R., 1/4-20 x 3/8 | 157 | 34138 Decal, Instruction |
| 106 | 31845 Shaft, Mechanical governor (Incl. No. 81) | 158 | 29918 Lockwasher, No. 8 E.T. |
| 107 | 30591 Gear Assembly, Governor (Incl. No. 81) | 159 | 32125 Cup, Starter |
| 108 | 29193 Ring Retaining | 160 | 610689A Screen, Starter cup |
| 109 | 30588A Spool, Governor | | |
| 111 | 610466 Screw, Hex hd. Sema, 1/4-14 x 7/8 | | |
| 112 | 24188 Bracket, Fuel tank | | |
| 113 | 650691 Screw, Flat hex hd. Sema, 1/4-20 x 3/8 | | |
| 114 | 24156 Tank, Fuel | | |
| 115 | 22291A Cap, Fuel tank | | |
| 116 | 30962 Line, Fuel | | |
| 119 | 34119 Plate, Fuel tank mounting | | |
| 120 | 600128 Screw, Flat slotted hd. Sema, 10-24 x 1 1/2 | 167 | 631067A Starter Assembly, Rewind |
| 121 | 30622 Extension, Blower housing | 168 | 600420 Gasket Set (Incl. Items marked *) |
| 122 | 610118 Cover, Spark plug | 169 | 34235 Carburator (Incl. No. 75) |

OPTIONAL EQUIPMENT
Spark Arrestor Muffler 391026





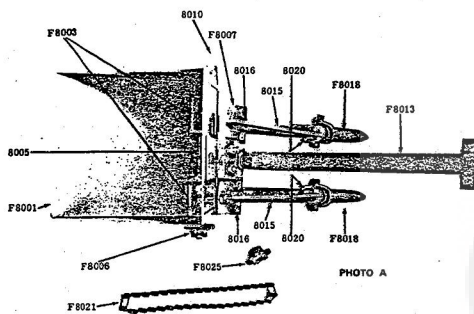
ROPER TRACTOR SEEDER PARTS LIST

| Illus. No. | Part No. | Part Name | Illus. No. | Part No. | Part Name |
|------------|-----------|---|------------|-----------|--|
| 1 | #17034R | Chassis Assembly | | #17020E 2 | 3/8 Diam. Pocket (2 Pocket Seed Disc) |
| 2 | #17112B | Concave Rear Wheel | | #17020F 2 | 1/2 Diam. Pocket (2 Pocket Seed Disc) |
| 3 | #17093 | Rear Scraper Bracket | | #17020G 2 | 9/16 Diam. Pocket (2 Pocket Seed Disc) |
| 4 | #17117 | Concave Wheel Scraper | | | |
| 5 | #17182B | Miter Lever Assembly | | | |
| 6 | #10900 | 5/16 - 18 Wing Nut | | | |
| 7 | #17081 | Miter Sprocket 6T | | #17020J 2 | 3/4 Diam. Pocket (2 Pocket Seed Disc) |
| 8 | #17019 | Large Double Sprocket 12T-18T | 22 | #17097 | Hopper Cover |
| 9 | #10001 | Sprocket Chain #25 Link Belt 45 Links | 23 | #17094 | 5/16 - 18 Wing Nut |
| 10 | #17046 | Rear Axle | 24 | #17060 | Hopper Welded Assembly |
| 11 | #17045 | Rear Wheel Bushings | 25 | #18093 | Hopper Shoe |
| 12 | #17018 | Small Double Sprocket 6T-12T | 26 | #18090 | L. H. Coverer Blade |
| 13 | #17055 | Hopper Shaft | 27 | #18089 | R. H. Coverer Blade |
| 14 | #17092 | Hopper Sleeve Assembly | 28 | #18091 | Coverer Bracket Assembly |
| 15 | #17062 | Flow Control Disc | 29 | #17303A | L.H. Adapter Plate |
| 16 | #17058 | Hopper Flow Disc | 30 | #17302A | R.H. Adapter Plate |
| 17 | #17061 | Flow Control Disc Spring | 31 | #17024 | Marker Collar |
| 18 | #17102 | Brush Assembly | 32 | #17025R | Marker Rod |
| 19 | #17063 | Driving Disc Spring | 33 | #17078H | Marker Washer |
| 20 | #17064 | Driving Disc Assembly | 34 | #17310 | Marker Mfg. Bracket |
| 21 | #17020A12 | 1/8 Diam. Pocket (12 Pocket Seed Disc) | 35 | #17311 | Marker Ext. Rod |
| | #17020B12 | 3/16 Diam. Pocket (12 Pocket Seed Disc) | 36 | #17312 | Marker Ext. Clamp |
| | #17020C12 | 1/4 Diam. Pocket (12 Pocket Seed Disc) | 37 | #17313 | Complete Marker Assembly |
| | #17020D12 | 5/16 Diam. Pocket (12 Pocket Seed Disc) | | | |
| | #17020E12 | 3/8 Diam. Pocket (12 Pocket Seed Disc) | | | |
| | #17020F12 | 1/2 Diam. Pocket (12 Pocket Seed Disc) | | | |
| | #17020G12 | 9/16 Diam. Pocket (12 Pocket Seed Disc) | | | |

MASTERS MFG. & EQUIP. COMPANY
400 Ryder
Litchfield, Illinois 62056

Order parts from address listed above.

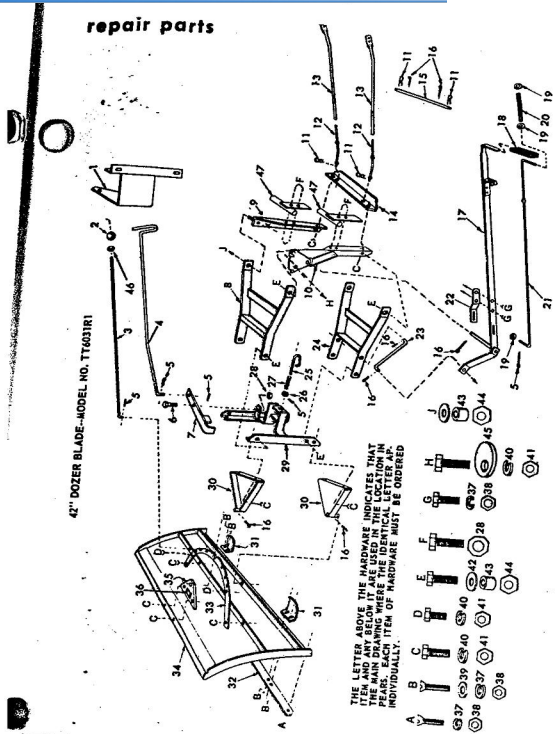
NOTE: The Seed Discs (Tow Pocket, E-2, F-2, and J-2, are not furnished as standard equipment. These discs are optional and are available by special orders.



FERTILIZER PARTS LIST

| Part Number | No. Required | Part Name |
|-------------|--------------|---|
| F 8001 | 1 | Fertilizer Body only, including Feed Adjustment Gauge |
| F 8003 | 2 | Agitators |
| 8005 | 1 | Fertilizer Shaft |
| F 8006 | 1 | Fertilizer Sprocket 6T 7/16 Bore |
| F 8007 | 1 | Fertilizer Mounting bracket Assembly w/bolts, washers, and nuts |
| 8010 | 1 | Feed Adjustment gauge |
| F 8013 | 1 | Mounting Bracket |
| 8015 | 2 | Feed Tubes |
| 8016 | 2 | U Bolts w/nuts |
| F 8018 | 2 | Opener Assemblies |
| 8020 | 2 | U Bolts w/nuts |
| F 8021 | 1 | Std. #25 Link Belt Chain 38 Links |
| F 8025 | 1 | Axle Sprocket 6T |

Click Here to upgrade to Unlimited Pages and Expanded Features



repair parts

42" DOZER BLADE-MODEL NO. TT6031R1

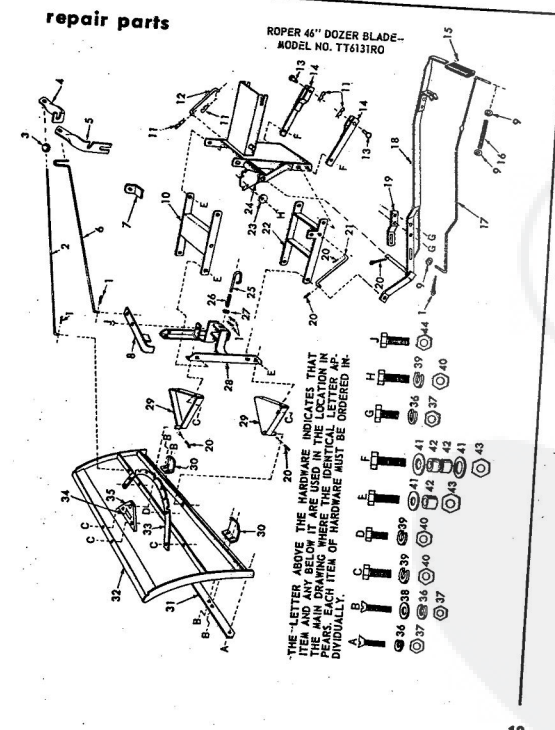
THE LETTER ABOVE THE HARDWARE INDICATES THAT ITEM AND ANY OTHER ITEMS IN THE LOCATION IN WHICH IT APPEARS IN THIS DRAWING MUST BE ORDERED INDIVIDUALLY.

- A
- B
- C
- D
- E
- F
- G
- H
- I
- J

42" DOZER BLADE-MODEL NO. TT6031R1

| KEY NO. | PART NO. | DESCRIPTION | KEY NO. | PART NO. | DESCRIPTION |
|---------|----------|--------------------------------|---------|----------|---------------------------------|
| 1 | 626A322 | Rod Bracket Assembly | 30 | 626A282 | Fork |
| 2 | 6364H | Control Knob | 31 | 9028M | Blade Shoe |
| 3 | 7383H | Blade Rod | 32 | 888H | Blade Edge |
| 4 | 2032R | Lock Rod | 33 | 8884H | Arch |
| 5 | 2058P | *Cotter Pin 1/8 x 3/4 | 34 | 626A258 | Blade |
| 6 | 3023P | *Hex Bolt 3/8-16 x 1 | 35 | 1411H | Upper Pivot Gusset |
| 7 | 634A143 | *Hex Bolt 3/8-16 x 1 | 36 | ----- | Model Number Plate |
| 8 | 626A300 | Pivot Arm Weldment | 38 | 503P | *Lockwasher 1/4 |
| 9 | 626A533 | Upper Lift Frame | 37 | 1002P | *Hex Nut 1/4-20 UNC |
| 10 | 626A261A | Mounting Angle-R.H. Weldment | 38 | 1506P | *Washer 5/32 x 5/8 x 16 Ga. |
| 11 | 4940M | Assembly-L.H. | 39 | 501P | *Lockwasher 3/8 Heavy Duty |
| 12 | 626A310 | Blade Rod | 40 | 1544P | *Hex Nut 3/8-16 UNC |
| 13 | 1840R | Push Rod Front Weldment | 41 | 7762H | Bushing |
| 14 | 6201H | Mounting Angle-Brace | 42 | 2409R | Lift Lever Stop |
| 15 | 1049P | Lower Link Pin | 43 | 588P | *Hex Jam Nut 3/8-16 UNC |
| 16 | 2501P | *Cotter Pin 5/32 x 1 | 44 | 626A432 | Oscillation Stop |
| 17 | 626A534 | Lever and Arm Assembly | 45 | 3130P | *Flat Hd. Screw 1/4-20 x 3/4 |
| 18 | 6200H | Hande Grip | 46 | 3023P | *Hex Bolt 3/8-16 x 1 |
| 19 | 1531P | *Washer 13/32 x 13/16 x 16 Ga. | 47 | 3035P | *Hex Bolt 3/8-16 x 3/4 |
| 20 | 1539UJ | Spring | A | 3023P | *Hex Bolt 3/8-16 x 1 |
| 21 | 4338M | Lever Plunger | B | 3023P | *Hex Bolt 3/8-16 x 1 |
| 22 | 7864H | Lift Rod | C | 3023P | *Hex Bolt 3/8-16 x 1 |
| 23 | 626A46A | Liner Lift Frame | D | 3023P | *Hex Bolt 3/8-16 x 1 |
| 24 | 6200R | Latch | E | 3023P | *Hex Bolt 3/8-16 x 1 |
| 25 | 1517P | *Washer 7/16 x 1 x 14 Ga. | F | 3023P | *Hex Bolt 3/8-16 x 1 |
| 26 | 7862H | *Locknut 3/8-16 UNC | G | 3023P | *Hex Bolt 3/8-16 x 1 |
| 27 | 545P | Front Frame | H | 3137P | *Washer 15/32 x 5/8/64 x 16 Ga. |
| 28 | 605A97B | Front Frame | I | 626P | Owners Manual |

*STANDARD HARDWARE-PURCHASE LOCALLY



repair parts

ROPER 46" DOZER BLADE-MODEL NO. TT6131R0

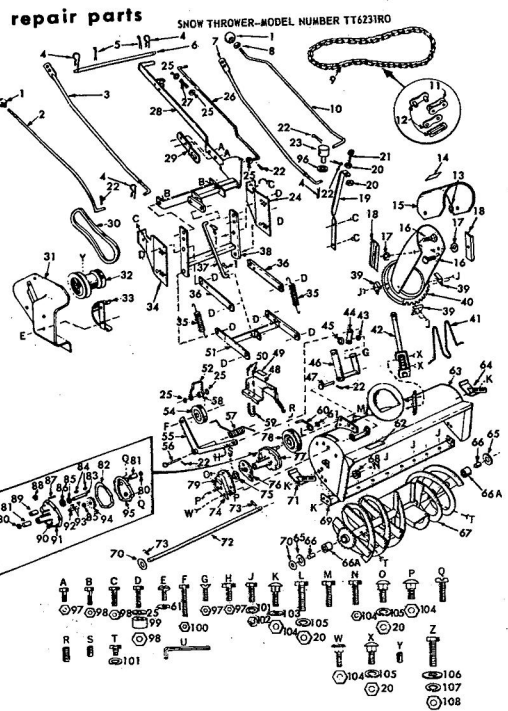
THE LETTER ABOVE THE HARDWARE INDICATES THAT ITEM AND ANY OTHER ITEMS IN THE LOCATION IN WHICH IT APPEARS IN THIS DRAWING MUST BE ORDERED INDIVIDUALLY.

- A
- B
- C
- D
- E
- F
- G
- H
- I
- J

ROPER 46" DOZER BLADE-MODEL NO. TT6131R0

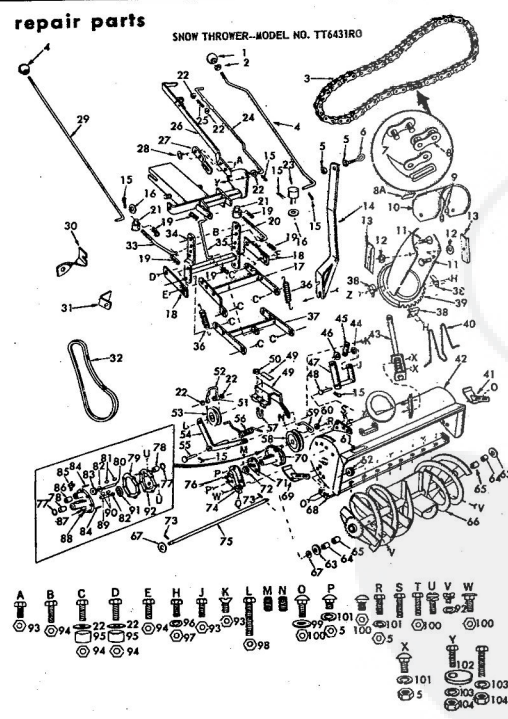
| KEY NO. | PART NO. | DESCRIPTION | KEY NO. | PART NO. | DESCRIPTION |
|---------|----------|--------------------------------|---------|----------|---------------------------------|
| 1 | 2505P | *Cotter Pin 1/8 x 3/4 | 26 | 7826H | Blade Rod |
| 2 | 7826H | Blade Rod | 27 | 1517P | *Washer 7/16 x 1 x 14 Ga. |
| 3 | 2010K | Control Knob | 28 | 626A322 | Rod Bracket Assembly |
| 4 | 2032R | Lock Rod | 29 | 626A300 | Pivot Arm Weldment |
| 5 | 2058P | *Cotter Pin 1/8 x 3/4 | 30 | 626A438 | Blade |
| 6 | 3023P | *Hex Bolt 3/8-16 x 1 | 31 | 9028M | Blade Shoe |
| 7 | 634A143 | *Hex Bolt 3/8-16 x 1 | 32 | 888H | Blade Edge |
| 8 | 626A300 | Pivot Arm Weldment | 33 | 8884H | Arch |
| 9 | 626A533 | Upper Lift Frame | 34 | 626A258 | Blade |
| 10 | 626A261A | Mounting Angle-R.H. Weldment | 35 | 1411H | Upper Pivot Gusset |
| 11 | 4940M | Assembly-L.H. | 36 | ----- | Model Number Plate |
| 12 | 626A310 | Blade Rod | 37 | 1002P | *Hex Nut 1/4-20 UNC |
| 13 | 1840R | Push Rod Front Weldment | 38 | 1506P | *Washer 5/32 x 5/8 x 16 Ga. |
| 14 | 6201H | Mounting Angle-Brace | 39 | 501P | *Lockwasher 3/8 Heavy Duty |
| 15 | 1049P | Lower Link Pin | 40 | 1544P | *Hex Nut 3/8-16 UNC |
| 16 | 2501P | *Cotter Pin 5/32 x 1 | 41 | 7762H | Bushing |
| 17 | 626A534 | Lever and Arm Assembly | 42 | 2409R | Lift Lever Stop |
| 18 | 6200H | Hande Grip | 43 | 588P | *Hex Jam Nut 3/8-16 UNC |
| 19 | 1531P | *Washer 13/32 x 13/16 x 16 Ga. | 44 | 626A432 | Oscillation Stop |
| 20 | 1539UJ | Spring | 45 | 3130P | *Flat Hd. Screw 1/4-20 x 3/4 |
| 21 | 4338M | Lever Plunger | 46 | 3023P | *Hex Bolt 3/8-16 x 1 |
| 22 | 7864H | Lift Rod | 47 | 3035P | *Hex Bolt 3/8-16 x 3/4 |
| 23 | 626A46A | Liner Lift Frame | A | 3023P | *Hex Bolt 3/8-16 x 1 |
| 24 | 6200R | Latch | B | 3023P | *Hex Bolt 3/8-16 x 1 |
| 25 | 1517P | *Washer 7/16 x 1 x 14 Ga. | C | 3023P | *Hex Bolt 3/8-16 x 1 |
| 26 | 7862H | *Locknut 3/8-16 UNC | D | 3023P | *Hex Bolt 3/8-16 x 1 |
| 27 | 545P | Front Frame | E | 3023P | *Hex Bolt 3/8-16 x 1 |
| 28 | 605A97B | Front Frame | F | 3023P | *Hex Bolt 3/8-16 x 1 |
| 29 | 626A322 | Rod Bracket Assembly | G | 3023P | *Hex Bolt 3/8-16 x 1 |
| 30 | 626A300 | Pivot Arm Weldment | H | 3137P | *Washer 15/32 x 5/8/64 x 16 Ga. |
| 31 | 9028M | Blade Shoe | I | 626P | Owners Manual |
| 32 | 888H | Blade Edge | J | ----- | ----- |
| 33 | 8884H | Arch | | | |
| 34 | 626A258 | Blade | | | |
| 35 | 1411H | Upper Pivot Gusset | | | |
| 36 | ----- | Model Number Plate | | | |
| 37 | 1002P | *Hex Nut 1/4-20 UNC | | | |
| 38 | 1506P | *Washer 5/32 x 5/8 x 16 Ga. | | | |
| 39 | 501P | *Lockwasher 3/8 Heavy Duty | | | |
| 40 | 1544P | *Hex Nut 3/8-16 UNC | | | |
| 41 | 7762H | Bushing | | | |
| 42 | 2409R | Lift Lever Stop | | | |
| 43 | 588P | *Hex Jam Nut 3/8-16 UNC | | | |
| 44 | 626A432 | Oscillation Stop | | | |
| 45 | 3130P | *Flat Hd. Screw 1/4-20 x 3/4 | | | |
| 46 | 3023P | *Hex Bolt 3/8-16 x 1 | | | |
| 47 | 3035P | *Hex Bolt 3/8-16 x 3/4 | | | |

* indicates all items shipped in bag of parts with new Ballroom-Sawblade.

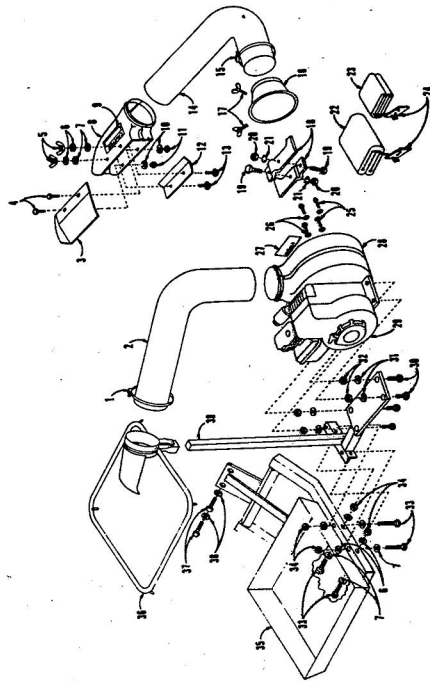


| KEY NO. | | PART NO. | DESCRIPTION | KEY NO. | | PART NO. | DESCRIPTION |
|---------|---------|--|-------------|---------|--|----------|-------------|
| 1 | 63641 | Control Knob | 69 | 63641P9 | Scoper and Reinforcement | | |
| 2 | 53191 | Clutch Rod | 70 | 84471 | Fiber Washer | | |
| 3 | 63641Z | Pulley Rod Assembly R.H. | 71 | 63641Z9 | Slide P.L.H. | | |
| 4 | 49628 | Retainer Spring | 72 | 53241 | Impeller Shaft | | |
| 5 | 2511P | Center Pin 3/16x1 | 73 | 78304 | Ball Pin 3/16 x 1-1/8 | | |
| 6 | 1049R | Lower Link Pin | 74 | 937R | Chain Guard | | |
| 7 | 63641A | Pulley Rod Assembly L.H. | 75 | 58561 | Special 15 Tooth | | |
| 8 | 508P | Hex Jam Nut 3/8-16 | 76 | 2274R | Chain Guard Bracket | | |
| 9 | 3858H | Roller Chain | 77 | 6284100 | Gear Case Assembly | | |
| 10 | 3873R | Chain Control Rod | 78 | 46891H | Pulley | | |
| 11 | 277H | Roller Link | 79 | 4687H | Impeller Plate | | |
| 12 | 276A | Connecting Link | 80 | 4200H | Oil Seal | | |
| 13 | 1522P | Washer 1/2 x 1/8 x 14 Ga. | 81 | 8119H | Bearing | | |
| 14 | 4620H | Wearing Label | 82 | 4672H | Gasket | | |
| 15 | 1783R | Deflector Hood | 83 | 4644H | Pinion Shaft | | |
| 16 | 16P | Compressor Hood | 84 | 5853H | Woodruff Key 1/8 x 1/2 | | |
| 17 | 4614R | Compression Washer | 85 | 6265H | Thrust Washer | | |
| 18 | 626A29Z | Handle Nut | 86 | 4647H | Pinion | | |
| 19 | 1781R | Chain Control Rod Bracket | 87 | 179H | Roll Pin 3/16 x 3/4 | | |
| 20 | 322P | Hex Nut 5/16-18 | 88 | 3635H | Relief Valve | | |
| 21 | 6564F | Eyebolt | 89 | 8118H | Bearing | | |
| 22 | 3262P | Center Pin 1/8 x 1/4 | 90 | 4001P | Pipe Plug 1/2 N.P.T. | | |
| 23 | 3873R | Chain Control Trunion | 91 | 626A24Z | Gear Case and Bearings | | |
| 24 | 942R | Hanger Bracket L.H. | 92 | 5325H | Gear Shaft | | |
| 25 | 1531P | Washer 1/2 x 1/8 x 16 Ga. | 93 | 9858H | Woodruff Key 3/16 x 5/8 | | |
| 26 | 63641J | Lower Flunger | 94 | 4648H | Gear | | |
| 27 | 1539U | Spring | 95 | 636A25 | Gear Case Cover w/Bearings | | |
| 28 | 626A29Z | Pivot Frame Weldment | 96 | 1546P | Washer 17/32 x 1-1/8 Ga. | | |
| 29 | 4338M | Lever Clip-Lower | 97 | 1603H | Gripco Nut 3/8-16 | | |
| 30 | 1836C | V-belt (Snow Cover Drive) | 98 | 542P | Gripco Nut 3/8-16 | | |
| 31 | 626A12A | Pulley Guard Weldment | 99 | 280M1 | Bushing | | |
| 32 | 63641K | Engine Pulley w/Ser Screw for B.P. Tractor | 100 | 514P | Lockwasher 1/2 | | |
| 33 | 626A31Z | Eng. Pulley w/Ser Screws for 10 H.P. Tractor | 101 | 503P | Hex Nut 1/2-20 | | |
| 34 | 7418 | Belt Retainer and Bracket | 102 | 1356P | Washer 7/8 x 7/8 x 14 Ga. | | |
| 35 | 4705H | Spring | 103 | 1004P | Lockwasher 3/8 | | |
| 36 | 4705H | Spring | 104 | 2469R | Lever Stop | | |
| 37 | 7425H | Link Link | 105 | 1004P | Lockwasher 3/8 | | |
| 38 | 636A50A | Gear | 106 | 501P | Hex Nut 3/8-16 | | |
| 39 | 2523R | Deflector Clip | A | 3004P | Hex Bolt 1/2-20 x 1 1/2 | | |
| 40 | 626A30Z | Guard | B | 3025P | Hex Bolt 3/8-16 x 1 1/2 | | |
| 41 | 1789R | Deflector Assembly | C | 3025P | Hex Bolt 3/8-16 x 1 1/2 | | |
| 42 | 626A304 | Worm Shaft Assembly | D | 3025P | Hex Bolt 3/8-16 x 1 1/2 | | |
| 43 | 1501P | Washer 3/16 x 3/8 x 16 Ga. | E | 6012P | Slotted Pan Hd. Mech. Screw w/Lockwasher 5/16-18 x 1 1/2 | | |
| 44 | 634A16A | Toggle Lever Assembly | F | 3031P | Hex Bolt 1/2-20 x 1 1/2 | | |
| 45 | 7425H | Link Link | G | 3044P | Flat Hd. Screw 1/2-20 x 5/8 | | |
| 46 | 634A15Z | Pulley Guard and Stop | H | 3114P | Hex Bolt 5/16-18 x 1 1/2 | | |
| 47 | 634A15Z | Pulley Guard and Stop | I | 3114P | Hex Bolt 5/16-18 x 1 1/2 | | |
| 48 | 5867H | Idler Pulley | J | 3114P | Hex Bolt 5/16-18 x 1 1/2 | | |
| 49 | 626A10Z | Idler Spring | K | 3114P | Hex Bolt 5/16-18 x 1 1/2 | | |
| 50 | 7851H | Belt Retainer | L | 3114P | Hex Bolt 5/16-18 x 1 1/2 | | |
| 51 | 4705H | Idler Pulley | M | 3114P | Hex Bolt 5/16-18 x 1 1/2 | | |
| 52 | 626A84 | Idler Arm and Bushing | N | 3114P | Hex Bolt 5/16-18 x 1 1/2 | | |
| 53 | 7446H | Idler R.H. Rivet | O | 14P | Carriage Bolt 5/16-18 x 1/2 | | |
| 54 | 8069H | Idler Spring | Q | 14P | Carriage Bolt 5/16-18 x 1/2 | | |
| 55 | 7853H | Idler Spring | R | 6033P | Slotted Pan Hd. Mech. Screw w/Lockwasher 1/2-20 x 5/8 | | |
| 56 | 7446H | Idler Spring | S | 4511P | Set Screw Hex Socket Headless 3/16-20 x 3/8 | | |
| 57 | 7853H | Idler Spring | T | 4507P | Set Screw Hex Socket Headless 3/16-20 x 5/8 | | |
| 58 | 7446H | Idler Spring | U | 3112P | Slotted Pan Hd. Mech. Screw w/Lockwasher 5/16-18 x 1 1/2 | | |
| 59 | 7853H | Idler Spring | U | 1843R | Wrench, Allen Set Screw 3/16 Hex | | |
| 60 | 7853H | Idler Spring | V | 14P | Carriage Bolt 5/16-18 x 1/2 | | |
| 61 | 1531P | Washer 1/2 x 1/8 x 16 Ga. | W | 742H | Cowling Pivot Bolt | | |
| 62 | 1531P | Washer 1/2 x 1/8 x 16 Ga. | X | 16P | Carriage Bolt 5/16-18 x 1/2 | | |
| 63 | 626A306 | Housing Assembly | Y | 626A26 | Set Screw Hex Socket Headless 3/8-16 x 3/8 | | |
| 64 | 636A78 | Idler Pulley | Z | 3137P | Hex Bolt 3/8-16 x 1 1/2 H.T. | | |
| 65 | 1501P | Washer 3/16 x 3/8 x 16 Ga. | --- | 382R | Owners Manual | | |
| 66 | 626A34 | Impeller and Bushing | | | | | |
| 67 | 626A29Z | Impeller | | | | | |
| 68 | 4705H | Chain Block | | | | | |

* Items Not Included With Snow Thrower



| KEY NO. | | PART NO. | DESCRIPTION | KEY NO. | | PART NO. | DESCRIPTION |
|---------|---------|--|-------------|---------|--|----------|-------------|
| 1 | 9439A | Control Knob | 64 | 4695H | Bearing | | |
| 2 | 508P | Hex Jam Nut 3/8-16 | 65 | 636A24Z | Bushing and Bushing | | |
| 3 | 932R | Roller Chain | 66 | 636A441 | Impeller with Bearings | | |
| 4 | 3873R | Chain Control Rod | 67 | 64071 | Fiber Washer | | |
| 5 | 504P | Hex Nut 5/16-18 | 68 | 636A24Z | Scoper and Reinforcement | | |
| 6 | 6564F | Eyebolt | 69 | 636A29Z | Gear Case Assembly | | |
| 7 | 270H | Connecting Link | 70 | 634A40 | Chain Guard Bracket | | |
| 8 | 277H | Roller Link | 71 | 939R | Impeller Shaft | | |
| 8A | 4629H | Warning Label | 72 | 78304 | Ball Pin 3/16 x 1-1/8 | | |
| 9 | 1522P | Washer 1/2 x 1/8 x 14 Ga. | 73 | 937R | Chain Guard | | |
| 10 | 1783R | Deflector Hood | 74 | 5853H | Special 15 Tooth | | |
| 11 | 16P | Compressor Hood | 75 | 8432H | Chain Guard | | |
| 12 | 4614R | Compression Washer | 76 | 77 | 4200H | Oil Seal | |
| 13 | 626A29Z | Handle Nut | 77 | 8119H | Bearing | | |
| 14 | 636A306 | Chain Rod Support Weldment | 78 | 8119H | Bearing | | |
| 15 | 2523P | Center Pin 1/8 x 3/4 | 79 | 6072H | Gasket | | |
| 16 | 1546P | Washer 17/32 x 1-1/8 Ga. | 80 | 6672H | Pinion Shaft | | |
| 17 | 636A148 | Spring Frame Upper | 81 | 5853H | Woodruff Key 1/8 x 1/2 | | |
| 18 | 7890H | Push Stop | 82 | 6265H | Thrust Washer | | |
| 19 | 4960H | Retainer Spring | 83 | 4647H | Pinion | | |
| 20 | 63641J | Channel Link | 84 | 179H | Roll Pin 3/16 x 3/4 | | |
| 21 | 6564H | Adjusting Pin | 85 | 3635H | Relief Valve | | |
| 22 | 1531P | Washer 1/2 x 1/8 x 16 Ga. | 86 | 8118H | Bearing | | |
| 23 | 3873R | Chain Control Trunion | 87 | 4001P | Pipe Plug 1/2 N.P.T. | | |
| 24 | 946H | Lower Flunger | 88 | 626A24Z | Gear Case and Bearing | | |
| 25 | 1539U | Spring | 89 | 8432H | Gear Shaft | | |
| 26 | 636A12A | Pivot Frame & Channel Weldment | 90 | 9858H | Woodruff Key 3/16 x 5/8 | | |
| 27 | 4338M | Lever Clip-Lower | 91 | 4648H | Gear | | |
| 28 | 1501P | Washer 3/16 x 3/8 x 16 Ga. | 92 | 636A39 | Gear Case Cover & Bearings | | |
| 29 | 7363H | Clutch Rod | 93 | 1603H | Gripco Nut 3/8-16 | | |
| 30 | 2010H | Rod Bracket | 94 | 542P | Gripco Nut 3/8-16 | | |
| 31 | 2708R | Clutch Lever Lock | 95 | 280M1 | Bushing | | |
| 32 | 1835R | Y-belt (Snow Thrower Drive) | 96 | 1002P | Lockwasher 1/2 | | |
| 33 | 6591H1 | Channel Link Link | 97 | 503P | Hex Nut 1/2-20 | | |
| 34 | 626A44 | Hanger Weldment | 98 | 1556P | Washer 13/32 x 7/8 x 14 Ga. | | |
| 35 | 7429H | Link Link | 99 | 1004P | Lockwasher 3/8 | | |
| 36 | 4703H | Spring | 100 | 1004P | Lockwasher 3/8 | | |
| 37 | 636A150 | Swing Frame-Lower | 101 | 501P | Hex Nut 3/8-16 | | |
| 38 | 2523P | Center Pin 1/8 x 3/4 | 102 | 3003P | Hex Bolt 1/2-20 x 1 1/2 | | |
| 39 | 626A298 | Slide Link | 104 | 3025P | Hex Bolt 3/8-16 x 1 1/2 | | |
| 40 | 1789R | Guard | 105 | 3025P | Hex Bolt 3/8-16 x 1 1/2 | | |
| 41 | 626A298 | Slide Link | B | 3025P | Hex Bolt 3/8-16 x 1 1/2 | | |
| 42 | 626A272 | Housing Assembly | C | 3025P | Hex Bolt 3/8-16 x 1 1/2 | | |
| 43 | 626A304 | Worm Shaft Assembly | D | 3025P | Hex Bolt 3/8-16 x 1 1/2 | | |
| 44 | 1509P | Washer 7/32 x 1-1/8 x 3/16 | E | 3025P | Hex Bolt 3/8-16 x 1 1/2 | | |
| 45 | 636A48A | Idler Pulley | F | 3114P | Hex Bolt 5/16-18 x 1 1/2 | | |
| 46 | 1509P | Washer 7/32 x 1-1/8 x 3/16 | G | 3114P | Hex Bolt 5/16-18 x 1 1/2 | | |
| 47 | 636A16A | Toggle Lever Assembly | H | 3114P | Hex Bolt 5/16-18 x 1 1/2 | | |
| 48 | 7438H | Drilled Rivet 5/16 x 4/8 | I | 3114P | Hex Bolt 5/16-18 x 1 1/2 | | |
| 49 | 636A153 | Pulley Guard and Stop | J | 3114P | Hex Bolt 5/16-18 x 1 1/2 | | |
| 49A | 5847H | Warning Label | K | 3114P | Hex Bolt 5/16-18 x 1 1/2 | | |
| 50 | 4629H | Gripco Nut #10-24 | L | 3031P | Hex Bolt 3/8-16 x 2 1/2 | | |
| 51 | 7853H | Idler Pulley | M | 4570P | Hex Socket Headless Set Screw 3/16-20 x 3/16 C.P. | | |
| 52 | 7851H | Belt Retainer | N | 4511P | Hex Socket Headless Set Screw 3/16-24 x 3/8 C.P. | | |
| 53 | 4705H | Idler Pulley | O | 14P | Carriage Bolt 5/16-18 x 1/2 | | |
| 54 | 626A84 | Idler Arm and Bushing | P | 14P | Carriage Bolt 5/16-18 x 1/2 | | |
| 55 | 7446H | Idler Rivet 5/16 x 4 | Q | 3011P | Hex Bolt 5/16-18 x 1 1/2 | | |
| 56 | 5867H | Idler Spring | R | 3012P | Hex Bolt 5/16-18 x 1 1/2 | | |
| 57 | 7446H | Idler Spring | S | 3012P | Hex Bolt 5/16-18 x 1 1/2 | | |
| 58 | 4699H1 | Pulley | T | 3012P | Hex Bolt 5/16-18 x 1 1/2 | | |
| 59 | 7446H | Idler Spring | U | 6033P | Slotted Pan Hd. Mech. Screw w/Lockwasher 1/2-20 x 1 1/2 | | |
| 60 | 4699H1 | Pulley | V | 6033P | Slotted Pan Hd. Mech. Screw w/Lockwasher 5/16-18 x 1 1/2 | | |
| 61 | 5867H | Warning Label | W | 742H | Cowling Pivot Bolt | | |
| 62 | 4703H | Chain Block | X | 16P | Carriage Bolt 5/16-18 x 1/2 | | |
| 63 | 1509P | Washer 21/32 x 2-1/8 x 16 Ga. (D-2 required) | Y | 3137P | Hex Bolt 3/8-16 x 1 1/2 H.T. | | |
| 64 | | | Z | 3022P | Hex Bolt 3/8-16 x 1 1/2 | | |
| | | | | 3960R | Instruction and Parts Book | | |



REPAIR PARTS LAWN VAC Model Number 258.264190

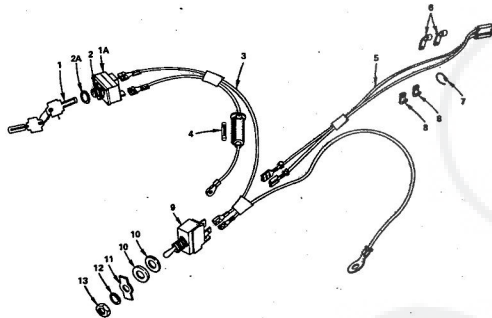
| KEY NO. | PART NUMBER 258.264190 | DESCRIPTION |
|---------|---------------------------|--|
| 1 | 8 86H | Howe Clamp 8" |
| 2 | 025 - 04 | Flex Hose 40" Long |
| 3 | 59 | Deflector Plate |
| 4 | STD 532505 | 3/8" - 20 x 1/4 Carriage Bolt |
| 5 | 5516 | 3/8" Wing Nut |
| 6 | STD 551137 | 3/8" Med. Lockwasher |
| 7 | STD 551037 | 3/8" Med. Plain Washer |
| 8 | 8 - 48 | Mower Deck Boot |
| 9 | 58 | Decal, Caution |
| 10 | STD 551125 | 1/4" Med. Lockwasher |
| 11 | STD 541025 | 1/4" - 20 Hex Nut |
| 12 | 63 | Boot Clamp Plate |
| 13 | STD 533710 | 3/8" - 16 x 1 Carriage Bolt |
| 14 | 024 - 04 | Flex Hose 32" Long |
| 15 | 8 - 118 - H | Howe Clamp 7" |
| 16 | 20 - 7 | Blower Cone |
| 17 | 84 | 5/16" - 18 x 1 1/4 Thumb Screw |
| 18 | 21 | Blower Blade |
| 19 | STD 525015 | 3/8" - 13 x 1 1/4 Hex Bolt |
| 20 | STD 541050 | 1/2" - 13 Hex Nut |
| 21 | STD 551250 | 1/2" Internal Tooth Lockwasher |
| 22 | 48 | Canvas Bag |
| 23 | 49 | Canvas Bag Cover |
| 24 | 56 | Full Cord Fastener |
| 25 | 51 | 24 x 24 x 48 Plastic Bag |
| 26 | STD 62307 | 5/16" - 24 x 7/8 Hex Bolt |
| 27 | STD 551231 | 5/16" Internal Tooth Lockwasher |
| 28 | 57 | Decal, Model No. |
| 29 | 19 | Blower Housing |
| 30 | 80232 | 3 HP Briggs & Stratton Engine Model 80232 Type 0675 - 01 |
| 31 | STD 253115 | 5/16" - 18 x 1 1/4 Hex Bolt |
| 32 | STD 551131 | 5/16" Med. Lockwasher |
| 33 | STD 541031 | 5/16" - 18 Hex Nut |
| 34 | STD 532722 | 3/8" - 16 x 2 1/2 Hex Bolt |
| 35 | STD 541037 | 3/8" - 16 Hex Nut |
| 36 | 8 - 1 - 10 | Tray and Mount Assembly |
| 37 | STD 525010 | 5/8" Support Ring |
| 38 | STD 551150 | 1/2" - 13 x 1 Hex Bolt |
| 39 | 8 - 11 - 18 | 1/2" Med. Lockwasher |
| 40 | 10189J - 8.74 | Engine Support and Upright Owners Manual (Not Illustrated) |

ORDER ALL REPLACEMENT PARTS FOR MODEL TT6951R FROM:

P E - C O
2907 SWEETEN CREEK ROAD
ASHVILLE, N. C. 28803

REPAIR PARTS

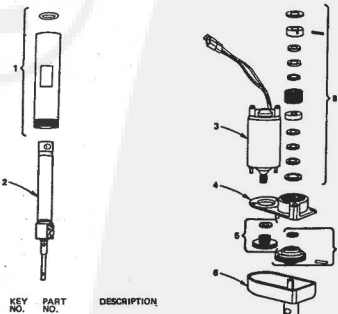
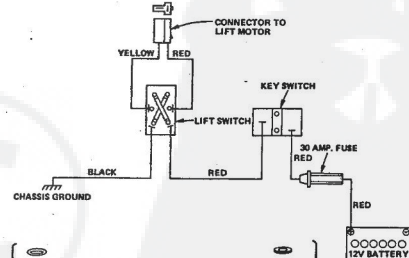
ELECTRIC 3-POINT HITCH-MODEL NO. TA157AR



| KEY NO. | PART NO. | DESCRIPTION |
|---------|----------|-----------------------------------|
| 1 | 45J | Key Set |
| 1A | 50J | Switch, Aux. Key (Inc. Key No. 1) |
| 2 | 568P | Hex Nut 5/8 - 32 |
| 2A | 221J | Internal Tooth Lockwasher |
| 3 | 48J | Harness, Lift & Aux Switch |
| 4 | 534JR | 30 Amp. Fuse |
| 5 | 586SR | Harness - Lift Motor |
| 6 | 4171R | Insulated Clip |
| 7 | 277R | Tie |
| 8 | 2751R | Insulated Clip |
| 9 | 5084R | Lift Switch |
| 10 | 1518P | Washer 15/32 x 11/16 x 1/8 Ga. |
| 11 | 5348R | Up Down Plate |
| 12 | 7318R | Int. Tooth Lockwasher |
| 13 | 566P | Hex Nut 15/32 - 32 |

SPECIAL APPLICATION LIFT LINK KIT-TA187AR
THIS KIT MUST BE USED TO ADAPT YOUR ELECTRIC 3-POINT HITCH WHEN USED WITH A ROTO-TILLER ATTACHMENT AND IS AVAILABLE THROUGH YOUR NEAREST ROPER DEALER.

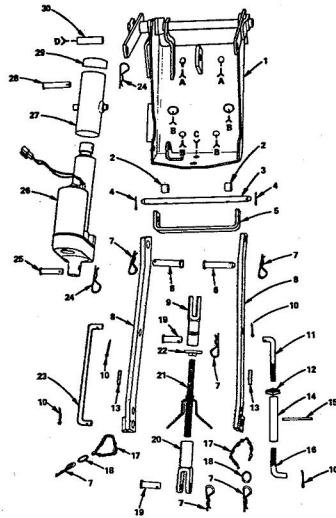
POWER ASSIST LIFT-MODEL NUMBER TA157AR



| KEY NO. | PART NO. | DESCRIPTION |
|---------|----------|--|
| 1 | 873A108 | Cover Tube and "O" Ring Assembly |
| 2 | 873A107 | Jackscrew Assembly |
| 3 | 873A113 | Motor and Pinion Assembly |
| 4 | 873A111 | Front Housing Assembly |
| 5 | 873A114 | Gear, Intermediate |
| 6 | 873A112 | Rear Housing |
| 7 | 873A110 | Clutch Assembly |
| 8 | 873A109 | Brake Assembly |
| 9 | 873A115 | Set of Screws (4 each No. 10 - 24 x 5/8 Torx Pan Hd. Self Tapping Screws and 1 each No. 8 - 32 x 1 Phillips Hd. #4 Self Tapping Screw) |
| 10 | 873A116 | "O" Ring for Cover Tube |

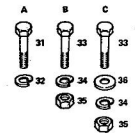
We suggest you take your Electric Act Authorized Roper Service Dealer should arise.

POWER ASSIST LIFT—MODEL NUMBER TA157AR

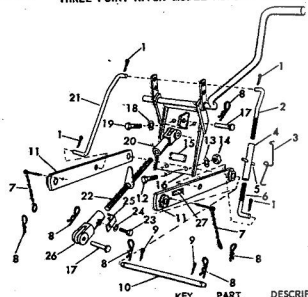


POWER ASSIST LIFT—MODEL NUMBER TA157AR

| KEY NO. | PART NO. | DESCRIPTION |
|---------|----------|--|
| 1 | 673A43 | Attaching Plate Weldment |
| 2 | 9227R | Spacer |
| 3 | 1049R | Link Pin - Lower |
| 4 | 2511P | Cotter Pin 3/16 x 1 |
| 5 | 8861R | Lower Hitch Bar Bracket |
| 6 | 8956R | Hitch Bar Pin |
| 7 | 4940M | Retainer Spring |
| 8 | 673A41 | Lower Hitch Bar |
| 9 | 8975R | Clevis - R.H. Thread |
| 10 | 2510P | Cotter Pin 5/32 x 1 |
| 11 | 8861R | Lift Link Upper - R.H. |
| 12 | 8969R | Locknut, Lift Link - R.H. |
| 13 | 6798H | Scotchcol |
| 14 | 1525H | Link Adjustment Sleeve |
| 15 | 9710M | Roll Pin |
| 16 | 8962R | Lift Link Lower - R.H. |
| 17 | 8887R | Chain |
| 18 | 8888R | Ring |
| 19 | 8940H | Clevis Pin |
| 20 | 8936H | Clevis - L.H. Thread |
| 21 | 673A42 | Adjusting Screw and Handle |
| 22 | 8974R | Adjusting Screw Locknut |
| 23 | 8963R | Lift Link - L.H. |
| 24 | 8339M | Retainer Spring |
| 25 | 8878R | Actuator Pin - Lower |
| 26 | 673A45 | Electric Actuator |
| 27 | 673A28 | Actuator Adapter Weldment |
| 28 | 8968R | Actuator Pin - Upper |
| 29 | 8611R | Plastic Cap |
| 30 | 9147R | Actuator Arms Bushing |
| 31 | 3844P | Hex Bolt 1/2 - 13 x 1 - 1/4 |
| 32 | 1000P | *Lockwasher 1/2 Heavy |
| 33 | 3006P | Hex Nut 7/16 - 14 x 1 - 1/4 |
| 34 | 1001P | *Lockwasher 7/16 Heavy |
| 35 | 500P | Hex Nut 7/16 - 14 UNC |
| 36 | 1619P | Washer 15/32 x 1 x 12 G.F. |
| 37 | 63P | Carriage Bolt, Sq. Neck 3/8 - 16 x 3 - 1/2 |
| 38 | 1004P | *Lockwasher 3/8 Heavy |
| 39 | 501P | *Hex Nut 3/8 - 16 UNC |
| - | 8996R | Owners Manual |
| - | - | *STANDARD HARDWARE—PURCHASE LOCALLY |



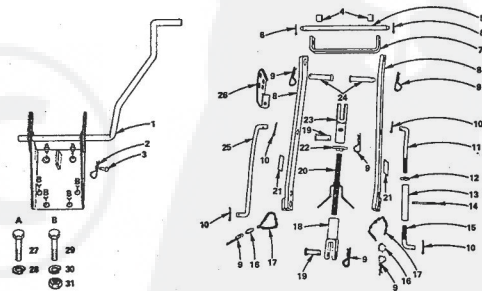
repair parts THREE POINT HITCH—MODEL NUMBER TA1331RO



| KEY NO. | PART NO. | DESCRIPTION | KEY NO. | PART NO. | DESCRIPTION |
|---------|----------|--|---------|----------|-------------------------------------|
| 1 | 2510P | Cotter Pin 5/32 x 1 | 15 | 634A29S | Hitch Mount Assembly with Lever |
| 2 | 8924H | Lift Link, Upper - R.H. | 16 | 8940H | Clevis Pin |
| 3 | 1992H | Tumbuckle Spring | 17 | 1000P | Lockwasher 1/2 |
| 4 | 656A108 | Tumbuckle, Spring end Roll Pin (See Key No's. 3 and 5) | 18 | 3044P | Bolt, Hex 1/2 - 13 x 1 1/4 |
| 5 | 9710M | Roll Pin | 19 | 8925H | Clevis, L.H., Thread |
| 6 | 8923H | Lift Link, Lower - R.H. | 20 | 8925H | Lift Link - L.H. |
| 7 | 5012H | Chain, Ring and Cotter | 21 | 673A42 | Adjusting Screw and Handle |
| 8 | 4940M | Retainer Spring | 22 | 3002P | Bolt, Hex 3/8 - 20 x 3/8 |
| 9 | 2511P | Cotter Pin 3/16 x 1 | 23 | 1002P | Lockwasher 3/8 Heavy |
| 10 | 1049R | Link Pin, Lower | 24 | 8975R | Spring, Adjusting Screw |
| 11 | 634A290 | Hitch Bar and Bushings, Lower | 25 | 8935H | Clevis, R.H. Thread |
| 12 | 3035P | Bolt, Hex 7/16 - 14 x 1 1/4 | 26 | 6796H | Scotchcol |
| 13 | 1001P | Lockwasher 7/16 | 27 | 5224M | Drive Stud (For Model Number Plate) |
| 14 | 500P | Nut, Hex 7/16 - 14 | 28 | 3699R | Owners Manual |

REPAIR PARTS

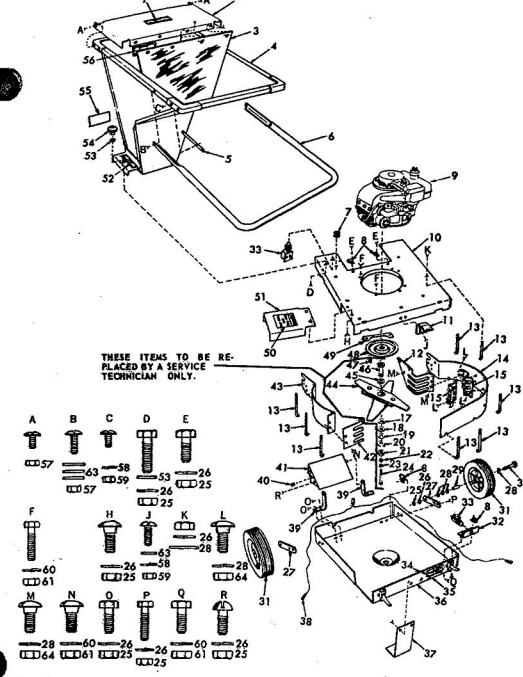
MANUAL 3-POINT HITCH—MODEL NUMBER TA207AR



| KEY NO. | PART NO. | DESCRIPTION | KEY NO. | PART NO. | DESCRIPTION |
|---------|----------|--------------------------------|---------|----------|-----------------------------------|
| 1 | 673A44 | Attaching Plate and Lift Lever | 18 | 8938H | Clevis - L.H. Thread |
| 2 | 4920M | Retainer Spring | 19 | 8940H | Clevis Pin |
| 3 | 8978R | Transport Pin | 20 | 673A42 | Adjusting Screw and Handle |
| 4 | 9227R | Spacer | 21 | 6798H | Scotchcol |
| 5 | 1049R | Link Pin Lower | 22 | 8974R | Adjusting Screw Locknut |
| 6 | 2511P | Cotter Pin 3/16 x 1 | 23 | 8975R | Clevis - R.H. Thread |
| 7 | 8861R | Lower Hitch Bar Bracket | 24 | 8956R | Hitch Bar Pin |
| 8 | 673A41 | Lower Hitch Bar and Bushing | 25 | 8964R | Lift Link - L.H. |
| 9 | 4940M | Retainer Spring | 26 | 9773R | Lever Stop Bracket |
| 10 | 2510P | Cotter Pin 5/32 x 1 | 27 | 3044P | Hex Bolt 1/2 - 13 x 1 - 1/4 |
| 11 | 2510P | Lift Link Upper - R.H. | 28 | 1000P | *Lockwasher 1/2 Heavy |
| 12 | 520P | Hex Jam Nut 1/2 - 13 | 29 | 3035P | Hex Bolt 7/16 - 14 x 1 - 1/4 |
| 13 | 1525H | Link Adjustment Sleeve | 30 | 1001P | *Lockwasher 7/16 Heavy |
| 14 | 9710M | Roll Pin | 31 | 500P | Hex Nut 7/16 - 14 |
| 15 | 8962R | Lift Link Lower - R.H. | 32 | 8997R | Owners Manual |
| 16 | 8888R | Ring | - | - | *STANDARD HARDWARE—PURCHASE LOCAL |
| 17 | 8887R | Chain | | | |

repair parts

ORGANIC SHREDDER MODEL NO. H30031R0

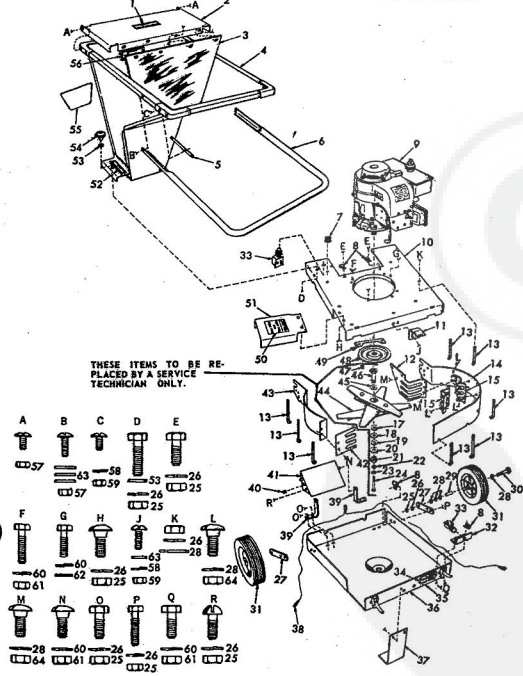


ORGANIC SHREDDER MODEL NO. H30031R0

| KEY NO. | PART NO. | DESCRIPTION | KEY NO. | PART NO. | DESCRIPTION |
|---------|--------------|-------------------------------|---------|----------|-----------------------------------|
| 1 | 3440R | Scotchcol (caution) | 46 | 1376R | Mandrel |
| 2 | 3308R | Guard | 47 | 4919H | Woodruff Key 5 |
| 3 | 2908R | Rubber Deflector | 48 | 2612R | Seal Protector |
| 4 | 658A63 | Hopper | 49 | 2052R | Breaker Angle |
| 5 | 3497R | Handle Support | 50 | 3437R | Scotchcol (caution) |
| 6 | 3514R | Handle | 51 | 3513R | Deflector |
| 7 | 3425R | Grommet | 52 | 3450R | Scotchcol (caution) |
| 8 | 2521R | Insulated Clip | 53 | 1557P | Washer 13/22 x 16 |
| 9 | LAV35-40739K | Engine 3/4 H.P., Tecumseh | 54 | 1417R | Holddown Knob |
| 10 | 3522R | Cover | 55 | 3516R | Scotchcol (caution) |
| 11 | 3363R | Lower Handle Spring | 56 | 3439R | Scotchcol (caution) |
| 12 | 3512R | Heavy Breaker | 57 | 1605H | Locknut 1/2-20 x 1 |
| 13 | 3508R | Hook Bolt | 58 | 1505P | Washer 9/22 x 1 |
| 14 | 3519R | Long Wrapper | 59 | 503P | Hex Nut 3/8-16 |
| 15 | 1402R | Breaker | 60 | 1003P | Lockwasher 3/8 |
| 16 | 2941R | Drive Washer | 61 | 304P | Hex Nut 5/16-11 |
| 17 | 2942R | Rubber Washer | 62 | 1505P | Washer 9/22 x 1 |
| 18 | 1482R | Compression Washer | 64 | 3394H | Locknut 3/8-16 |
| 19 | 1380R | Nut | A | 3253P | Pin Hd. Phillip Screw 1/20 x 1/2 |
| 20 | 1484R | Mandrel Washer | B | 3275P | Pin Hd. Phillip Screw 1/20 x 1/2 |
| 21 | 1004P | Lockwasher 3/8 | C | 3253P | Pin Hd. Phillip Screw 1/20 x 1/2 |
| 22 | 3246P | Hex Bolt 3/8-24 x 2 1/2 H.T. | D | 3252P | Hex Bolt 3/8-16 Full Thread |
| 23 | 1280R | Washer 13/22 x 13/16 x 16 Ga. | E | 3021P | Hex Bolt 5/16-11 |
| 24 | 3246P | Hex Bolt 3/8-24 x 2 1/2 H.T. | F | 3012P | Hex Bolt 5/16-11 |
| 25 | 501P | Hex Nut 3/8-16 | G | 3010P | Hex Bolt 5/16-11 |
| 26 | 1004P | Lockwasher 3/8 | H | 199 | Carriage Bolt 3/8 |
| 27 | 3498R | Wheel Bracket | J | 3253P | Pin Hd. Phillip Screw 1/20 x 1/2 |
| 28 | 1513P | Washer 13/22 x 13/16 x 16 Ga. | K | 501P | Hex Nut 3/8-16 |
| 29 | 2967R | Wheel Bushing | L | 19P | Carriage Bolt 3/8 |
| 30 | 3031P | Hex Bolt 3/8-16 x 2 1/2 | M | 16P | Carriage Bolt 5/8 |
| 31 | 2613R | Tire and Wheel | N | 2022P | Hex Bolt 3/8-16 |
| 32 | 3499R | Safety Switch Bracket | O | 3022P | Hex Bolt 3/8-16 |
| 33 | 2520R | Safety Switch | P | 3010P | Hex Bolt 5/16-11 |
| 34 | 1413R | Model Plate | Q | 3242P | Truss Slotted H. Screw 3/8-16 x 3 |
| 35 | 1413R | Model Plate | R | 3529R | Owners Manual |
| 36 | 658A46 | Clamp Fasteners & Base | | | |
| 37 | 3307R | Ground Pad | | | |
| 38 | 3503R | Shorting Wire | | | |
| 39 | 3506R | Pivot Shaft Support | | | |
| 40 | 3502R | Grommet | | | |
| 41 | 658A47 | Pivot Shaft Waldment | | | |
| 42 | 3508R | Air Stripper | | | |
| 43 | 3520R | Short Wrapper | | | |
| 44 | 658A30 | Blade Waldment | | | |
| 45 | 1521R | Wear Washer | | | |

repair parts

ORGANIC SHREDDER--MODEL NO. H60031R0

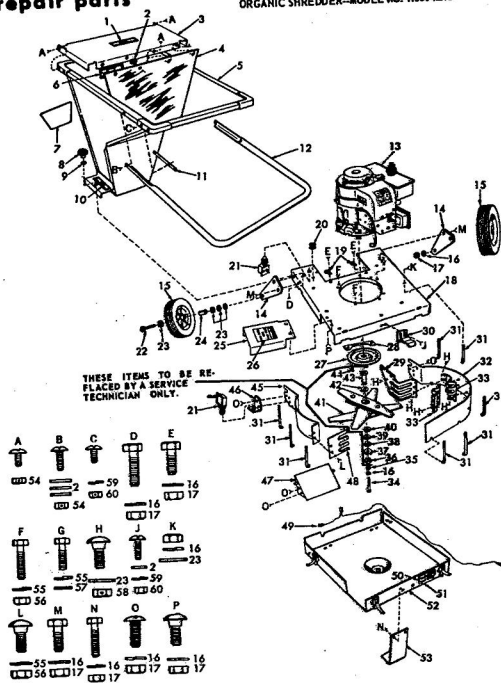


ORGANIC SHREDDER--MODEL NO. H60031R0

| KEY NO. | PART NO. | DESCRIPTION | KEY NO. | PART NO. | DESCRIPTION |
|---------|-----------|-------------------------------|---------|----------|-----------------------------------|
| 1 | 3440R | Scotchcol (caution) | 46 | 1377R | Mandrel |
| 2 | 3308R | Guard | 47 | 4919H | Woodruff Key |
| 3 | 2908R | Rubber Deflector | 48 | 2612R | Seal Protector |
| 4 | 658A64 | Hopper | 49 | 2052R | Breaker Angle |
| 5 | 3497R | Handle Support | 50 | 3437R | Scotchcol (caution) |
| 6 | 3514R | Handle | 51 | 3513R | Deflector |
| 7 | 3425R | Grommet | 52 | 3450R | Scotchcol (caution) |
| 8 | 2521R | Insulated Clip | 53 | 1557P | Washer 13/22 x 16 |
| 9 | V60-7025H | Engine (6 H.P., Tecumseh) | 54 | 1417R | Holddown Knob |
| 10 | 3522R | Cover | 55 | 3516R | Scotchcol (caution) |
| 11 | 3363R | Lower Handle Spring | 56 | 3439R | Scotchcol (caution) |
| 12 | 3512R | Heavy Breaker | 57 | 1605H | Locknut 1/2-20 x 1 |
| 13 | 3508R | Hook Bolt | 58 | 1505P | Washer 9/22 x 1 |
| 14 | 3519R | Long Wrapper | 59 | 503P | Hex Nut 3/8-16 |
| 15 | 1402R | Breaker | 60 | 1003P | Lockwasher 3/8 |
| 16 | 2941R | Drive Washer | 61 | 304P | Hex Nut 5/16-11 |
| 17 | 2942R | Rubber Washer | 62 | 1505P | Washer 11/22 x 1 |
| 18 | 1422R | Compression Washer | 63 | 1505P | Washer 9/22 x 1 |
| 19 | 1482R | Nut | 64 | 3394H | Locknut 3/8-16 |
| 20 | 1484R | Mandrel Washer | A | 3253P | Pin Hd. Phillip Screw 1/20 x 1/2 |
| 21 | 1004P | Lockwasher 3/8 | B | 3275P | Pin Hd. Phillip Screw 1/20 x 1/2 |
| 22 | 3246P | Hex Bolt 3/8-24 x 2 1/2 H.T. | C | 3253P | Pin Hd. Phillip Screw 1/20 x 1/2 |
| 23 | 1280R | Washer 13/22 x 13/16 x 16 Ga. | D | 3252P | Hex Bolt 3/8-16 Full Thread |
| 24 | 3246P | Hex Bolt 3/8-24 x 2 1/2 H.T. | E | 3021P | Hex Bolt 5/16-11 |
| 25 | 501P | Hex Nut 3/8-16 | F | 3012P | Hex Bolt 5/16-11 |
| 26 | 1004P | Lockwasher 3/8 | G | 3010P | Hex Bolt 5/16-11 |
| 27 | 3498R | Wheel Bracket | H | 199 | Carriage Bolt 3/8 |
| 28 | 1513P | Washer 13/22 x 13/16 x 16 Ga. | J | 3253P | Pin Hd. Phillip Screw 1/20 x 1/2 |
| 29 | 2967R | Wheel Bushing | K | 501P | Hex Nut 3/8-16 |
| 30 | 3031P | Hex Bolt 3/8-16 x 2 1/2 | L | 19P | Carriage Bolt 3/8 |
| 31 | 2613R | Tire and Wheel | M | 20P | Carriage Bolt 5/8 |
| 32 | 3499R | Safety Switch Bracket | N | 3021P | Hex Bolt 3/8-16 |
| 33 | 2520R | Safety Switch | O | 3022P | Hex Bolt 3/8-16 |
| 34 | 1413R | Model Plate | P | 3010P | Hex Bolt 5/16-11 |
| 35 | 1413R | Model Plate | Q | 3010P | Hex Bolt 5/16-11 |
| 36 | 658A46 | Clamp Fasteners & Base | R | 3242P | Truss Slotted H. Screw 3/8-16 x 3 |
| 37 | 3307R | Ground Pad | | | |
| 38 | 3503R | Shorting Wire | | | |
| 39 | 3506R | Pivot Shaft Support | | | |
| 40 | 3502R | Grommet | | | |
| 41 | 658A47 | Pivot Shaft Waldment | | | |
| 42 | 3508R | Air Stripper | | | |
| 43 | 3520R | Short Wrapper | | | |
| 44 | 658A30 | Blade Waldment | | | |
| 45 | 1521R | Wear Washer | | | |

repair parts

ORGANIC SHREDDER--MODEL NO. H60042R0

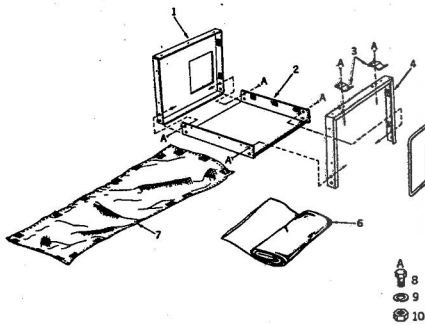


ORGANIC SHREDDER--MODEL NO. H60042R0

| KEY NO. | PART NO. | DESCRIPTION | KEY NO. | PART NO. | DESCRIPTION |
|---------|------------|---------------------------|---------|----------|---|
| 1. | 346R | Scotchcol (Caution) | 41. | 658A20 | Blade Weldment |
| 2. | 150SP | Washer 9/32x1/2x14 Ga. | 42. | 1521R | Wear Washer |
| 3. | 350R | Swivel | 43. | 1377R | Mandrel |
| 4. | 290R | Rubber Deflector | 44. | 4919H | Woodruff Key 5/32x5/8 H. T. |
| 5. | 658A44 | Hopper | 45. | 3520R | Short Wrapper |
| 6. | 5499R | Scotchcol (Caution) | 46. | 2718R | Safety Switch Support |
| 7. | 3314R | Scotchcol (Horse Pile) | 47. | 658A47 | Pivot Shaft Weldment |
| 8. | 1417R | Holddown Knob | 48. | 3500R | Air Stripper |
| 9. | 1557P | Washer 13/32x13/16x11 Ga. | 49. | 5417R | Skirting Wire |
| 10. | 3450R | Scotchcol (Caution) | 50. | — | Model Plate |
| 11. | 3477R | Handle Support | 51. | 1418R | Decal (Point Pending) |
| 12. | 3514R | Handle | 52. | 658A86 | Clamp Fasteners & Base |
| 13. | V60-70252H | Engine (6, H.P. Tecumseh) | 53. | 3507R | Ground Pad |
| 14. | 5414R | Wheel Bracket | 54. | 1609H | Locknut 1/2-20 |
| 15. | 2613R | Tire and Wheel | 55. | 1002P | Lockwasher 5/16 |
| 16. | 1004P | Lockwasher 3/8 | 56. | 504P | Hex Nut 5/16-18 |
| 17. | 501P | Hex Nut 3/8-18 | 57. | 1521P | Washer 11/32x11/16x16 Ga. |
| 18. | 5413R | Cover | 58. | 6394H | Locknut 2/8-16 |
| 19. | 2521R | Insulated Clip | 59. | 1002P | Lockwasher 1/2 |
| 20. | 3423R | Genesee | 60. | 503P | Hex Nut 1/2-20 |
| 21. | 2220R | Safety Switch | A. | 3233P | Pan Hd. Phillips Mech. Screw 1/2-20 x 1 |
| 22. | 3031P | Hex Bolt 3/8-16x2 1/2 | B. | 3235P | Pan Hd. Phillips Mech. Screw 1/2-20 x 1 |
| 23. | 1515P | Washer 13/32x13/16x16 Ga. | C. | 3233P | Pan Hd. Phillips Mech. Screw 1/2-20 x 1 |
| 24. | 2947R | Wheel Bushing | D. | 3232P | Hex Bolt 3/8-16x 1 1/8 Full Thread |
| 25. | 3515R | Deflector | E. | 3021P | Hex Bolt 3/8-16x 3/4 |
| 26. | 3437R | Scotchcol (Caution) | F. | 3012P | Hex Bolt 5/16-18x 3/4 |
| 27. | 2612R | Seal Protector | G. | 3010P | Carriage Bolt 2/8-16x 1/2 |
| 28. | 2032R | Breaker Angle | H. | 199P | Pan Hd. Phillips Mech. Screw 1/2-20 x 1/2 |
| 29. | 3512R | Heavy Breaker | I. | 3233P | Hex Nut 3/8-16 |
| 30. | 3505R | Lower Handle Spring | J. | 3233P | Hex Nut 3/8-16 |
| 31. | 3300R | Hook Bolt | K. | 501P | Hex Nut 3/8-16 |
| 32. | 3519R | Long Wrapper | L. | 161P | Carriage Bolt 5/16-16x 1/2 |
| 33. | 1402R | Drive Washer | M. | 3022P | Hex Bolt 3/8-16x 1 |
| 34. | 3246P | Hex Bolt 3/8-24x25 H. T. | N. | 3021P | Hex Bolt 3/8-16x 3/4 |
| 35. | 1402R | Drive Washer | O. | 3242P | Tread Hd. Slotted Mech. Screw 3/8-16x 1/2 |
| 36. | 1380R | Nut | P. | 199P | Carriage Bolt 3/8-16x 1/2 |
| 37. | 1402R | Drive Washer | | 5421R | Owners Manual |
| 38. | 2942R | Rubber Washer | | | |
| 39. | 2941R | Drive Washer | | | |
| 40. | | | | | |

PARTS LIST

BAGGING ATTACHMENT--MODEL NO. HA0232R0

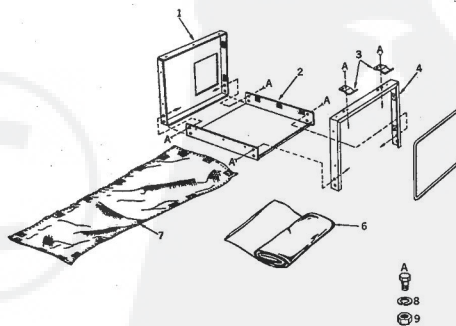


| KEY NO. | PART NO. | DESCRIPTION |
|---------|----------|---------------------------------|
| 1 | 658A59 | Net Support Rear And Hook Tape |
| 2 | 658A58 | Net Support Base And Hook Tape |
| 3 | 4251R | Spring |
| 4 | 658A57 | Net Support Front And Hook Tape |
| 5 | 4256R | Bag Frame |
| 6 | — | Package of Five Plastic Bags |
| 7 | 4258R | Net |
| 8 | 3114P | *Hex Bolt 1/4 - 20 x 1/2 |
| 9 | 1002P | *Lockwasher 1/4" |
| 10 | 503P | *Hex Nut 1/4 - 20 UNC |
| — | 5446R | Owners Manual |

*STANDARD HARDWARE--PURCHASE LOCALLY
*PURCHASE ADDITIONAL PLASTIC BAGS FROM YOUR LOCAL BOPER DEALER

PARTS LIST

BAGGING ATTACHMENT MODEL NUMBER HA0231R



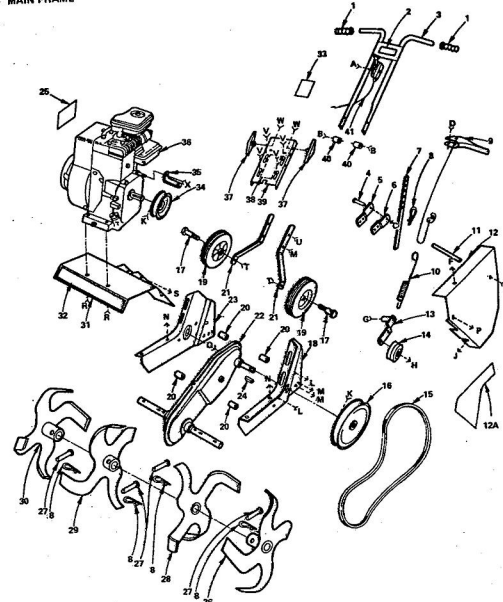
| KEY NO. | PART NO. | DESCRIPTION |
|---------|----------|--------------------------------|
| 1 | 658A57 | Net Support Rear & Hook Tape |
| 2 | 658A58 | Net Support Base & Hook Tape |
| 3 | 4251R | Spring |
| 4 | 658A59 | Net Support Front & Hook Tape |
| 5 | 4256R | Bag Frame |
| 6 | — | Package of Five Plastic Bags |
| 7 | 4258R | Net |
| 8 | 1002P | Lockwasher 1/4" |
| 9 | 503P | Hex Nut 1/4-20 x 1/2 |
| A | 3114P | Hex Bolt 1/4-20 x 1/2 |
| — | 4251R | Instruction Sheet & Parts List |

PURCHASE ADDITIONAL PLASTIC BAGS FROM YOUR DEALER.

REPAIR PARTS

ROPER 2 H.P. MINI-TILLER-MODEL NO. D2117AR

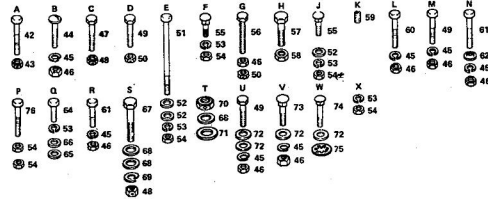
MAIN FRAME



ROPER 2 H.P. MINI-TILLER-MODEL NO. D2117AR

| KEY NO. | PART NO. | DESCRIPTION | KEY NO. | PART NO. | DESCRIPTION |
|---------|----------|---|---------|----------|--|
| 1 | 9270R | Handle Grip | 40 | 9237R | Bushing - Handle Spacer |
| 2 | 9621R | Decal - Roper | 41 | 9214R | Throttle Control |
| 3 | 914A4B | Handle Weldment | 42 | 3002SP | *Fin. Hex Bolt 1/4 - 20 x 1 - 1/4 |
| 4 | 9511R | Drilled Rivet | 43 | 1605H | Gripco Center Lock Nut 1/4 - 20 UNF |
| 5 | 9192R | Drag Stake Bracket - R.H. | 44 | 3337P | Socket Truss Hd. Bolt 5/16 - 18 x 3/4 |
| 6 | 9191R | Drag Stake Bracket - L.H. | 45 | 1003P | *Lockwasher 5/16 |
| 7 | 9193R | Drag Stake | 46 | 504P | *Hex Nut 5/16 - 18 UNC |
| 8 | 4921H | Retainer Spring | 47 | 3342P | Fin. Hex Bolt 3/8 - 24 x 1 - 1/4 Gr. 5 |
| 9 | 974A5B | Clutch Control Assembly | 48 | 7810H | Gripco Center Lock Nut 3/8 - 24 UNF |
| 10 | 9241R | Spring | 49 | 3017P | *Fin. Hex Bolt 1/4 - 20 x 4 - 1/2 |
| 11 | 9183R | Soft Spacer | 50 | 1685H | Gripco Center Lock Nut 5/16 - 18 |
| 12 | 9653R | Belt Guard | 51 | 3335P | Fin. Hex Bolt 1/4 - 20 x 4 - 1/2 |
| 12A | 9617R | Decal - Stripe | 52 | 1506P | Washer 9/32 x 6/8 x 18 Ga. |
| 13 | 674A30 | Idle Arm Weldment | 53 | 1002P | *Lockwasher 1/4 |
| 14 | 9175R | Idle Pulley | 54 | 502P | *Hex Nut 1/4 - 20 UNC |
| 15 | 9179R | V-Belt | 55 | 10P | *Sq. Nc. Carriage Bolt 1/4 - 20 x 1/2 |
| 16 | 9174R | Transmission Sheave | 56 | 3343P | Fin. Hex Bolt Full Thd. 5/16 - 18 x 2 |
| 17 | 4858H | Shoulder Bolt | 57 | 3025P | *Fin. Hex Bolt 3/8 - 18 x 1 - 1/4 |
| 18 | 9000R | Engine Bracket - L.H. | 58 | 508P | *Hex Nut 3/8 - 16 UNC |
| 19 | 9189R | Wheel | 59 | 4537P | *Hex Forged Socket Headless Set Screw C.P. 5/16 - 18 x 3/8 |
| 20 | 9173R | Soft Spacer | 60 | 3017P | *Fin. Hex Bolt 5/16 - 18 x 2 - 1/2 |
| 21 | 9188R | Wheel Bracket | 61 | 3013P | *Fin. Hex Bolt 5/16 - 18 x 1 - 1/2 |
| 22 | 674A15 | Transmission | 62 | 9235R | Push-On Speed Nut |
| 23 | 9001R | Engine Bracket - R.H. | 64 | 3345P | Fin. Hex Bolt 1/4 - 28 x 3/4 Gr. 5 |
| 24 | 3949M | So. Key | 65 | 1584P | Washer 9/32 x 7/8 x 12 Ga. |
| 25 | 9691R | Decal - Engine | 66 | 1585P | Washer 9/32 x 1 - 1/4 x 10 Ga. |
| 26 | 674A36 | Tire Weldment Outer - L.H. | 67 | 3347P | Fin. Hex Bolt 3/8 - 24 x 3/4 Gr. 5 |
| 27 | 9194R | Drilled Rivet | 68 | 1527P | Washer 13/32 x 15/16 x 11 Ga. |
| 28 | 674A34 | Tire Weldment Inner - L.H. | 69 | 1004P | *Lockwasher 3/8 |
| 29 | 674A35 | Tire Weldment Inner - R.H. | 70 | 514P | Nylon Nut 3/8 - 18 UNC |
| 30 | 674A37 | Tire Weldment Outer - R.H. | 71 | 1545P | Washer 17/32 x 1 x 10 Ga. |
| 31 | 9055R | Tire Shield | 72 | 1511P | Washer 3/8 x 7/8 x 14 Ga. |
| 32 | 9619R | Decal - Roper Mini-Tiller | 73 | 18P | *Sq. Nc. Carriage Bolt 5/16 - 18 x 3/4 |
| 33 | 9614R | Decal - Handle Panel | 74 | 62P | *Sq. Nc. Carriage Bolt Shd. Shoulder 5/16 - 18 x 1 - 1/4 |
| 34 | 9176R | Engine Sheave | 75 | 1410P | Heavy Internal Lockwasher Type A 5/16 |
| 35 | 9184R | Belt Guard Bracket | 76 | 3147P | *Fin. Hex Bolt 1/4 - 20 x 2 |
| 36 | 90102 | Engine, 2 H.P. Briggs and Stratton Type No. 0377-02 | | 9626R | Owners Manual |
| 37 | 9210R | Knob | | | |
| 38 | 9224R | Decal - Instructions | | | |
| 39 | 9209R | Handle Panel | | | |

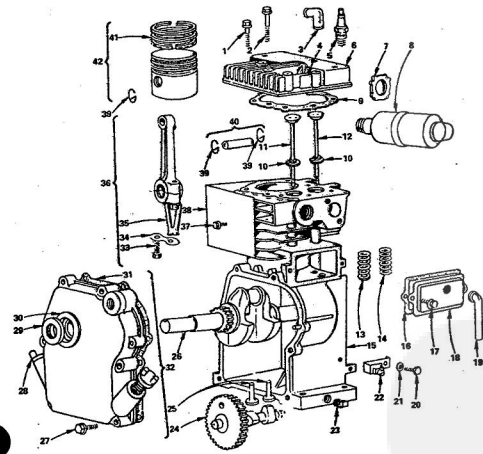
*STANDARD HARDWARE-PURCHASE LOCALLY



ROPER 2 H.P. MINI-TILLER-MODEL NO. D2117AR
ENGINE-MODEL NUMBER 60102 TYPE 0377-02

CYLINDER & CRANKCASE

ALL ENGINE PARTS MUST BE PURCHASED THROUGH AND SERVICE PERFORMED BY YOUR LOCAL BRIGGS AND STRATTON DEALER.



ROPER 2 H.P. MINI-TILLER-MODEL NO. D2117AR
ENGINE-MODEL NUMBER 60102 TYPE 0377-02

CYLINDER & CRANKCASE

| KEY NO. | PART NO. | DESCRIPTION |
|---------|----------|--|
| 1 | 93111 | Screw, Cylinder Head 1 - 15/16 L. |
| 2 | 93113 | Screw, Cylinder Head 2 - 5/16 L. |
| 3 | 66508 | Elbow, Sock. Plug |
| 4 | 210812 | Head, Cylinder |
| 5 | 288890 | Plug, Spark |
| 6 | 220581 | Cover, Cylinder Head |
| 7 | 91811 | Locknut, Exhaust Elbow |
| 8 | 295905 | Muffler, Exhaust |
| 9 | 27670 | *Gasket, Cylinder Head |
| 10 | 65312 | Retainer, Valve Spring |
| 11 | 296676 | Valve, Exhaust |
| 12 | 296677 | Valve, Intake |
| 13 | 26479 | Spring, Exhaust Valve |
| 14 | 260552 | Spring, Intake Valve |
| 15 | 266561 | Cylinder Assembly |
| 16 | 27549 | *Gasket, Valve Cover |
| 17 | 93394 | Screw, Breather Mounting |
| 18 | 294178 | Breather, Valve Chamber |
| 19 | 292217 | Tube, Breather and Air Cleaner Gasket |
| 20 | 93002 | Screw, Serr. |
| 21 | 66432 | Washer |
| 22 | 294502 | Bracket, Control Wire Casing |
| 23 | 93448 | Plug, Pipe |
| 24 | 210453 | Gear, Cam |
| 25 | 230173 | Tapset, Valve |
| 26 | 282248 | Crankshaft |
| 27 | 93922 | Screw, Crankcase Cover Mounting |
| 28 | 66768 | 93856 Stud, 90822 Lockwasher |
| 29 | 88650 | Plug, Oil Filter |
| 30 | 293706 | Seal, Oil |
| 31 | 27856 | Bushing, Crankcase Cover |
| 32 | 294305 | *Gasket, Crankcase Cover Assembly Crankcase (Inc. Key No's. 28, 29 & 31) |
| 33 | 92296 | Screw, Connecting Rod |
| 34 | 220460 | Lock, Connecting Rod Screw |
| 35 | 220459 | Diaper, Connecting Rod |
| 36 | 294300 | Rod Assembly, Connecting (Inc. Key No's. 33, 34 & 35) |
| 37 | 93042 | Screw, Cylinder Shield Mounting |
| 38 | 220678 | Shield, Cylinder |
| 39 | 28026 | Lock, Piston Pin |
| 40 | 298309 | Pin Assembly, Piston (Inc. Key No. 39) |
| 41 | 294232 | Ring Set, Piston |
| 42 | 295687 | Piston Assembly (Inc. Key No's. 39 & 41) |

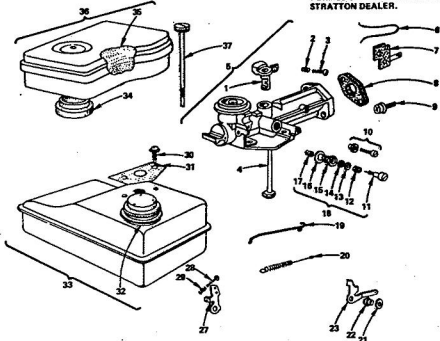
*SPECIAL TOOLS REQUIRED TO INSTALL
**INCLUDED IN GASKET SET NO. 237275

SPARK ARRESTING MUFFLER
302617 Low Tone Muffler (1 required)
391911 Cap (1 required)
93705 Screw (4 required)

Click Here to upgrade to Unlimited Pages and Expanded Features

ROPER 2 H.P. MINI-TILLER-MODEL NO. D2117AR
ENGINE-MODEL NUMBER 60102 TYPE 0377-02

CARBURETOR



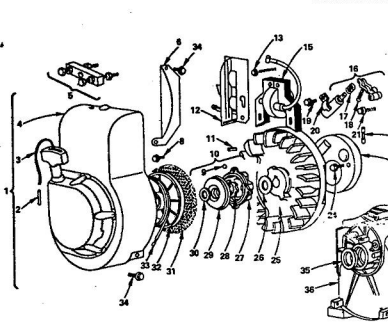
ALL ENGINE PARTS MUST BE PURCHASED THROUGH AND SERVICE PERFORMED BY YOUR LOCAL BRIGGS AND STRATTON DEALER.

| KEY NO. | PART NO. | DESCRIPTION | KEY NO. | PART NO. | DESCRIPTION |
|---------|----------|---|---------|----------|---|
| 1 | 210719 | Throttle, Carburetor | 18 | 260040 | Link, Governor |
| 2 | 280575 | Spring, Throttle Adjusting | 20 | 280823 | Spring, Governor |
| 3 | 92524 | Screw, H.H. Machine | 21 | 220952 | Washer |
| 4 | 296476 | Pipe, Fuel | 22 | 236531 | Bushing, Bell Crank |
| 5 | 381338 | Carburetor Assembly (Inc. Key No's. 1, 2, 3, 4, 10 & 18) | 23 | 221147 | Crank, Bell |
| 6 | 381115 | Wire, Ground | 27 | 220578 | Lever, Speed Adjuster |
| 7 | 298110 | Plate Assembly, Stop Switch Insulated | 28 | 92624 | Screw, R.H. Machine |
| 8 | 27355 | Gasket, Carburetor | 29 | 260575 | Spring, Throttle Adjusting |
| 9 | 93257 | Screw, Carburetor Mounting | 30 | 93341 | Screw, Fuel Tank Mounting |
| 10 | 93177 | Screw, Bell Crank Mounting | 31 | 27426 | Gasket, Fuel Tank Mounting |
| 11 | 23433 | Valve, Needle | 32 | 382324 | Cap, Fuel Tank |
| 12 | 25338 | Spring, Needle Valve | 33 | 291834 | Tank Assembly, Fuel (Inc. Key No. 32) |
| 13 | 22235 | Washer, Needle Valve | 34 | 27690 | Gasket, Air Cleaner Mounting |
| 14 | 92578 | Packing, Needle Valve | 35 | 27892 | Element, Air Cleaner |
| 15 | 23431 | Nut, Needle Valve | 36 | 296767 | Cleaner Assembly, Air (Inc. Key No. 35) |
| 16 | 92787 | Gasket, Needle Valve Nut | 37 | 93322 | Screw, Air Cleaner |
| 17 | 23432 | Seat, Needle Valve | | | |
| 18 | 290959 | Needle Valve Kit (Inc. Key No's. 11, 12, 13, 14, 15, 16 & 17) | | | |

*INCLUDED IN GASKET SET NO. 297275

ROPER 2 H.P. MINI-TILLER-MODEL NO. D2117AR
ENGINE-MODEL NUMBER 60102 TYPE 0377-02

STARTER



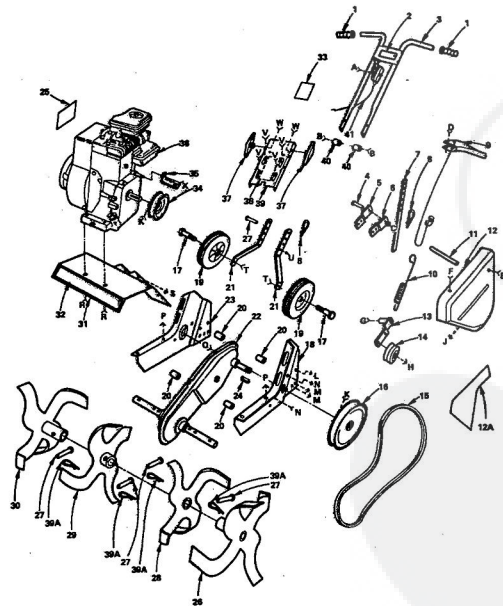
ALL ENGINE PARTS MUST BE PURCHASED THROUGH AND SERVICE PERFORMED BY YOUR LOCAL BRIGGS AND STRATTON DEALER.

| KEY NO. | PART NO. | DESCRIPTION | KEY NO. | PART NO. | DESCRIPTION |
|---------|----------|---|---------|----------|-------------------------------------|
| 1 | 294259 | Starter Assembly, Rewind (Inc. Key No's. 2, 4, 32 & 33) | 18 | 20018 | Spring, Breaker Arm |
| 2 | 230228 | Pin, Starter Grip | 19 | 93042 | Screw, Condenser Clamp Mounting |
| 3 | 230228 | Pin, Rewind Starter | 20 | 220477 | Clamp, Condenser |
| 4 | 284283 | Housing, Blower | 21 | 93321 | Screw, Breaker Arm Mounting |
| 5 | 13069 | Pulley, Flywheel | 22 | 65704 | Plunger, Breaker Point |
| 6 | 220271 | Guard, Flywheel | 23 | 220366 | Cover, Breaker Point and Condenser |
| 7 | 93370 | Screw, Rotating Screen Mounting | 24 | 93014 | Screw, Dust Cover Mounting |
| 8 | 93370 | Ball, Clutch | 25 | 296884 | Flywheel, Magneto |
| 9 | 93370 | Clutch Assembly, Rewind Starter (Inc. Key No's. 9, 27, 28, 29 & 30) | 26 | 220956 | Washer, Spring |
| 10 | 268210 | Key, Flywheel | 27 | 211383 | Housing, Starter Clutch |
| 11 | 91760 | Blade, Governor | 28 | 298436 | Washer, Rewind Starter |
| 12 | 287310 | Screw, Armature Mounting | 29 | 221553 | Washer, Clutch Retainer |
| 13 | 93361 | Armature, Magneto | 30 | 96238 | Washer, Ratchet Spooling |
| 14 | 298502 | Breaker Pump and Condenser Set (Inc. Key No's. 17 & 18) | 31 | 221981 | Screws, Rotating |
| 15 | 298502 | Breaker Pump and Condenser Set (Inc. Key No's. 17 & 18) | 32 | 280117 | Pulley, Rewind Starter |
| 16 | 260374 | Spring, Connector | 33 | 294203 | Spring, Rewind Starter |
| | | | 34 | 93158 | Screw, Blower Housing Mounting |
| | | | 35 | 89950 | Nut, Oil |
| | | | 36 | 298561 | Cylinder Assembly (Inc. Key No. 35) |

REPAIR PARTS

ROPER 3 H.P. MINI-TILLER-MODEL NO. D3217AR

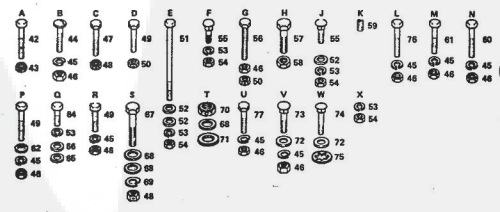
MAIN FRAME



ROPER 3 H.P. MINI-TILLER-MODEL NO. D3217AR

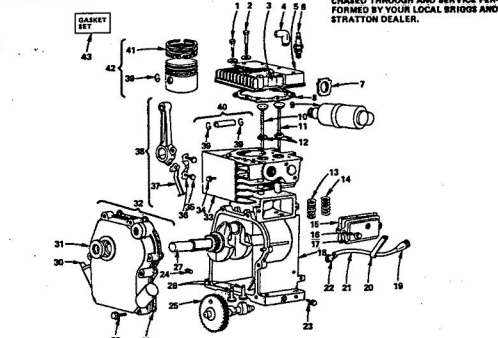
| KEY NO. | PART NO. | DESCRIPTION | KEY NO. | PART NO. | DESCRIPTION |
|---------|----------|---|---------|----------|--|
| 1 | 9268R | Handle Grip | 40 | 9237R | Bushing - Handle Spacer |
| 2 | 92519 | Decal - Roper | 41 | 92148 | Throttle Control |
| 3 | 674447 | Handle Weldment | 42 | 3117P | Screw, Condenser |
| 4 | 92519 | Decal - Roper | 43 | 1605H | Gripso Center Lock Nut 1/4" - 20 UNC |
| 5 | 9192R | Drag Stake Bracket - R.H. | 44 | 3337P | Spotted Truss Hd. Bolt 5/16" - 18 x 3/4 |
| 6 | 9191R | Drag Stake Bracket - L.H. | 45 | 1003P | *Lockwasher 5/16" |
| 7 | 9191R | Drag Stake | 46 | 504P | *Hex Nut 5/16" - 18 UNC |
| 8 | 4921H | Retainer Spring | 47 | 3342P | Fin. Hex Bolt 3/8" - 24 x 1 - 1/4 Gr. 5 |
| 9 | 674449 | Clutch Control Assembly | 48 | 7810H | Gripso Center Lock Nut 3/8" - 24 UNC |
| 10 | 9241R | Spring | 49 | 3013P | *Fin. Hex Bolt 5/16" - 18 x 1 - 1/2 |
| 11 | 9271R | Soft Starter | 50 | 1605H | Gripso Center Lock Nut 5/16" - 18 |
| 12 | 9054R | Belt Guard | 51 | 3538P | *Fin. Hex Bolt 1/4" - 20 x 5 |
| 12A | 9618R | Decal - Stripe | 52 | 1505P | *Washer 9/32 x 5/8 x 16 Ga. |
| 13 | 674430 | Idle Arm Weldment | 53 | 1002P | *Lockwasher 1/4" |
| 14 | 9178R | Idle Pulley | 54 | 503P | *Hex Nut 1/4" - 20 UNC |
| 15 | 9159R | V-Belt | 55 | 10P | *Sq. Nk. Carriage Bolt 1/4" - 28 x 1/2 |
| 16 | 9175R | Transmission Sheave | 56 | 3343P | Fin. Hex Bolt Full Thd. 5/16" - 18 x 2 |
| 17 | 4899H | Shoulder Bolt | 57 | 3025P | Fin. Hex Bolt 3/8" - 16 x 1 - 1/4 |
| 18 | 9052R | Engine Bracket - L.H. | 58 | 508P | *Hex Arm Nut 3/8" - 16 UNC |
| 19 | 9197R | Wheel | 59 | 4537P | *Hex Forged Socket Headless Set Screw 5/16" - 18 x 2/8 |
| 20 | 9173R | Soft Spacer | 60 | 3017P | *Fin. Hex Bolt 5/16" - 18 x 2 - 1/2 |
| 21 | 9160R | Wheel Bracket | 61 | 3012P | *Fin. Hex Bolt 5/16" - 18 x 1 - 1/4 |
| 22 | 674421 | Transmission | 62 | 9239R | Fin. Hex Bolt 1/4" - 28 x 3/4 Gr. 5 |
| 23 | 9033R | Engine Bracket - R.H. | 63 | 3348P | Washer 9/32 x 7/8 x 12 Ga. |
| 24 | 2949M | Sq. Key | 64 | 1585P | Washer 9/32 x 1 - 1/4 x 16 Ga. |
| 25 | 9829R | Decal - Engine | 65 | 2347P | Fin. Hex Bolt 3/8" - 24 x 2 Gr. 5 |
| 26 | 674440 | Time Weldment Outer - L.H. | 66 | 1557P | Washer 1/32 x 13/16 x 11 Ga. |
| 27 | 4920H | Drilled Rivet | 67 | 1304P | *Lockwasher 3/8" |
| 28 | 674428 | Time Weldment Inner - L.H. | 68 | 1557P | Washer 1/32 x 14 Ga. |
| 29 | 674428 | Time Weldment Inner - R.H. | 69 | 1304P | *Lockwasher 3/8" |
| 30 | 674441 | Time Weldment Outer - R.H. | 70 | 514P | Nylok Nut 3/8" - 16 UNC |
| 31 | 9058R | Time Shield | 71 | 1545P | Washer 1/32 x 16 Ga. |
| 32 | 9820R | Decal - Roper Mini-Tiller | 72 | 1511P | Washer 3/8 x 7/8 x 14 Ga. |
| 33 | 9615R | Decal - Handle Panel | 73 | 165P | *Sq. Nk. Carriage Bolt 5/16" - 18 x 3/4 |
| 34 | 5177R | Engine Shield | 74 | 62P | *Sq. Nk. Carriage Bolt Sh. Shoulder 5/16" - 18 x 1 - 1/4 |
| 35 | 9184R | Belt Guard Bracket | 75 | 1410P | Heavy Internal Lockwasher Type A 5/16" |
| 36 | 80022 | Engine, 3 H.P. Briggs and Stratton Type No. 0781-01 | 76 | 3010P | *Fin. Hex Bolt 5/16" - 18 x 3/4 |
| 37 | 9210R | Knob | 77 | 3011P | *Fin. Hex Bolt 5/16" - 18 x 1 |
| 38 | 9225R | Decal - Instructions | 78 | 9627R | Owners Manual |
| 39 | 9209R | Handle Panel | | | |
| 39A | 3148R | Retainer Spring | | | |

*STANDARD HARDWARE-PURCHASE LOCALLY



ROPER 3 H.P. MINI-TILLER-MODEL NO. D3217AR
ENGINE-MODEL NUMBER 80202 TYPE 0781-01

CYLINDER & CRANKCASE

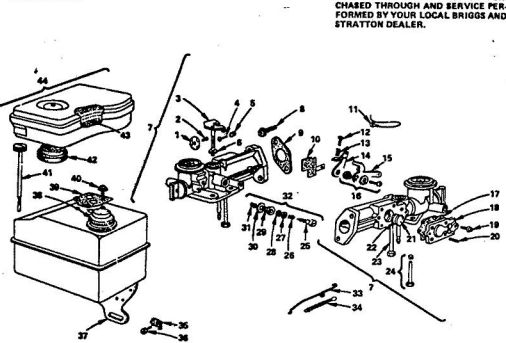


| KEY NO. | PART NO. | DESCRIPTION | KEY NO. | PART NO. | DESCRIPTION |
|---------|----------|-----------------------------------|---------|----------|---|
| 1 | 93111 | Screw, Cylinder Head 1 - 15/16 L. | 25 | 230173 | Tapset, Valve |
| 2 | 93113 | Screw, Cylinder Head 2 - 5/16 L. | 26 | 261298 | Crankshaft |
| 3 | 210812 | Head, Spark Plug | 27 | 261298 | Gasket, Crankcase |
| 4 | 66538 | Elbow, Spark Plug | 29 | 93032 | Screw, Crankcase Cover Mtg. |
| 5 | 220581 | Cover, Cylinder Head | 30 | 62788 | Plug, Oil Filter |
| 6 | 298509 | Plug, Spark | 31 | 89650 | Seal, Oil |
| 7 | 81811 | Locknut, Exhaust Elbow | 32 | 294356 | Cowl As'y., Crankcase (Inc. Key No. 1, 28, 30 & 31) |
| 8 | 27870 | Gasket, Cylinder Head | 33 | 220478 | Screw, Cylinder Shield Mtg. |
| 9 | 295906 | Muffler, Exhaust | 34 | 93042 | Screw, Connecting Rod |
| 10 | 298676 | Valve, Exhaust | 35 | 93296 | Lock, Connecting Rod Screw |
| 11 | 298677 | Valve, Intake | 36 | 220156 | Dipser, Connecting Rod |
| 12 | 63312 | Retainer, Valve Spring | 37 | 220370 | Ring, Seal (Inc. Key No. 1, 36, 37 & 38) |
| 13 | 29478 | Spring, Exhaust Valve | 38 | 294367 | Rod As'y., Connecting (Inc. Key No. 1, 36, 37 & 38) |
| 14 | 292522 | Spring, Intake Valve | 39 | 29876 | Pin As'y., Piston (Inc. Key No. 40) |
| 15 | 27549 | Gasket, Valve Cover | 40 | 298809 | Lock, Piston Pin |
| 16 | 93294 | Screw, Breather Mtg. | 41 | 294522 | Piston As'y., (Inc. Key No. 1, 40 & 42) |
| 17 | 294178 | Breather, Valve Chamber | 42 | 295587 | Gasket Set |
| 18 | 296581 | Cylinder As'y. | 43 | 297275 | Gasket Set |
| 19 | 87628 | Grommet, Breather Tube | | | |
| 20 | 221278 | Tube, Breather | | | |
| 21 | 296534 | Screw, Tank Bracket Mtg. | | | |
| 22 | 88578 | Grommet, Breather Tube | | | |
| 23 | 93343 | Screw, Tank Bracket Mtg. | | | |
| 24 | 91249 | Plug, Pipe 1/4" Std. Sq. Hd. | | | |
| 25 | 210453 | Gear, Cam | | | |

SPARK ARRESTING MUFFLER (OPTIONAL)
802811 Low Tone Muffler
382190 Spark Arrestor As'y. and Screws

ROPER 3 H.P. MINI-TILLER-MODEL NO. D3217AR
ENGINE-MODEL NUMBER 80202 TYPE 0781-01

CARBURETOR

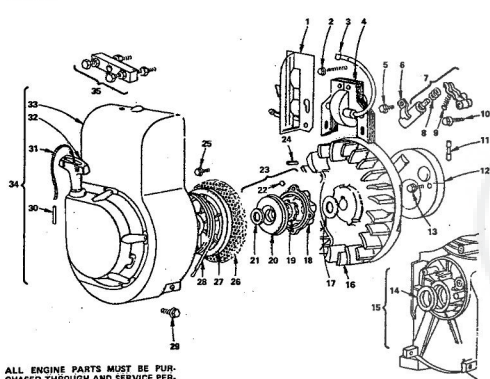


| KEY NO. | PART NO. | DESCRIPTION | KEY NO. | PART NO. | DESCRIPTION |
|---------|----------|---|---------|----------|--|
| 1 | 211203 | Valve, Throttle | 23 | 296611 | Pipe, Plastic Fuel |
| 2 | 93488 | Screw, Throttle Valve Mtg. | 24 | 381813 | Fuel Pipe and Clip As'y. |
| 3 | 297981 | Shaft & Lever, Throttle | 25 | 23433 | Valve, Needle |
| 4 | 92834 | Screw, Rd. Hd. Machine | 26 | 26236 | Spring, Needle Valve |
| 5 | 260575 | Spring, Speed & Throttle Adj. | 27 | 22235 | Washer, Needle Valve |
| 6 | 270187 | Washer, Throttle Shaft | 28 | 66978 | Washer, Needle Valve |
| 7 | 297803 | Carburetor As'y. (Inc. Key No. 1 thru 6, 17 thru 24 & 32) | 29 | 230590 | Nut, Needle Valve |
| 8 | 93387 | Screw, Hex Hd. | 30 | 66694 | Gasket, Needle Valve Nut |
| 9 | 37255 | Gasket, Intake Elbow Mtg. | 31 | 230581 | Needle Valve Kit (Inc. Key No. 25 thru 31) |
| 10 | 296110 | Plate As'y., Stop Switch Insulator | 32 | 299500 | Link, Governor |
| 11 | 381115 | Wire, Ground | 33 | 260688 | Spring, Air Valve Governor |
| 12 | 93320 | Screw, Rd. Hd. Machine | 34 | 260941 | Clamp, Casing |
| 13 | 260575 | Spring, Speed & Throttle Adj. | 35 | 221370 | Screw, Set |
| 14 | 220576 | Lever, Speed Adjuster | 36 | 53496 | Gasket, Fuel Tank Mtg. |
| 15 | 221147 | Crank, Bell | 37 | 295591 | Cap, Fuel Tank |
| 16 | 93177 | Screw, Bell Crank | 38 | 382304 | Gasket, Fuel Tank Mtg. |
| 17 | 270026 | Diaphragm | 39 | 27811 | Cap, Fuel Tank |
| 18 | 210259 | Cover, Diaphragm | 40 | 93341 | Screw, Fuel Tank Mtg. |
| 19 | 93141 | Screw, Diaphragm Cover | 41 | 93322 | Screw, Air Cleaner |
| 20 | 93285 | Pin, Diaphragm Cover | 42 | 27850 | Gasket, Air Cleaner Mtg. |
| 21 | 221372 | Cap, Spring | 43 | 27887 | Element, Air Cleaner |
| 22 | 260455 | Spring, Fuel Pump Diaphragm | 44 | 298766 | Cleaner As'y., Air (Inc. Key No. 1, 42 & 43) |

**INCLUDED IN GASKET SET NO. 297275

ROPER 3 H.P. MINI-TILLER-MODEL NO. D3217AR
ENGINE-MODEL NUMBER 80202 TYPE 0781-01

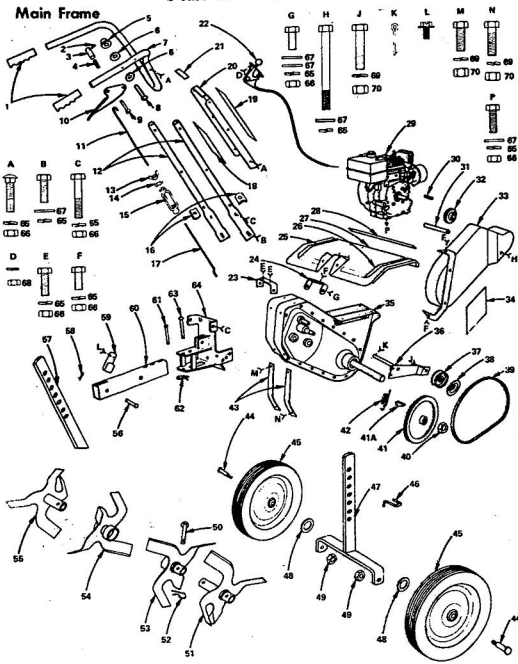
STARTER



ALL ENGINE PARTS MUST BE PURCHASED THROUGH AND SERVICE PERFORMED BY YOUR LOCAL BRIGGS AND STRATTON DEALER.

| KEY NO. | PART NO. | DESCRIPTION | KEY NO. | PART NO. | DESCRIPTION |
|---------|----------|--|---------|----------|---|
| 1 | 297310 | Blade, Governor | 19 | 298438 | Ratchet, Rewind Starter |
| 2 | 93381 | Screw, Armature Mtg. | 20 | 221853 | Washer, Clutch Retainer |
| 3 | 221798 | Terminal, Cable | 21 | 68238 | Washer, Ratchet Setting |
| 4 | 298502 | Armature, Magneto | 22 | 63770 | Ball, Clutch |
| 5 | 93042 | Screw, Condenser Clamp Mtg. | 23 | 298510 | Clutch As'y., (Inc. Key No. 18, 19, 20, 21 & 22) |
| 6 | 220477 | Clamp, Condenser | 24 | 61780 | Key, Flywheel |
| 7 | 294628 | Bracket Points & Condenser Set (Inc. Key No. 1, 8 & 9) | 25 | 93705 | Screw, Rotating Screen Mtg. |
| 8 | 290374 | Spring, Connector | 26 | 221861 | Screen, Rotating |
| 9 | 29018 | Spring, Breaker Arm | 27 | 260117 | Pulley, Rewind Starter |
| 10 | 93381 | Screw, Set | 28 | 294303 | Spring, Rewind Starter |
| 11 | 62704 | Plunger, Breaker Point | 29 | 93168 | Screw, Set |
| 12 | 220388 | Cover, Breaker Point & Condenser | 30 | 230228 | Pin, Starter Grip |
| 13 | 83480 | Screw, Dust Cover Mtg. | 31 | 66684 | Rope, Starter |
| 14 | 88660 | Seal, Oil | 32 | 68728 | Grip, Starter Rope |
| 15 | 296581 | Cylinder As'y., (Inc. Key No. 14) | 33 | 294263 | Housing, Blower |
| 16 | 296584 | Flywheel | 34 | 294268 | Starter As'y., Rewind (Inc. Key No. 1, 27, 28, 30, 31, 32 & 33) |
| 17 | 220885 | Washer, Spring | 35 | 18069 | Pulley, Flywheel |
| 18 | 211383 | Housing, Starter Clutch | | | |

**REPAIR PARTS 4 H.P. GIANT-TILLER--MODEL NO. D44152R1
5 H.P. GIANT-TILLER I--MODEL NO. D54252R1**



**4 H.P. GIANT-TILLER--MODEL NO. D44152R1
5 H.P. GIANT-TILLER I--MODEL NO. D54252R1**

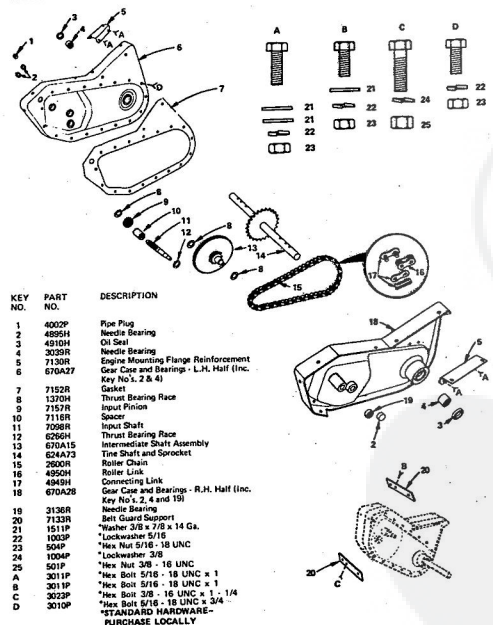
Main Frame

| KEY NO. | PART NO. | DESCRIPTION | KEY NO. | PART NO. | DESCRIPTION |
|---------|----------|-----------------------------------|---------|----------|---|
| 1 | 624A7B | Handle Grip (Set of 2) | 40 | 8204H | *Locknut 1/2 - 20 UNF |
| 2 | 4620H | Roll Pin | 41 | 7141R | Input Pulley |
| 3 | 4637H | Latch Button | 41A | 8668M1 | Woodruff Key |
| 4 | 4622H | Latch Spring | 42 | 7183R | Spring |
| 5 | 4945H | Pin Nut | 43 | 7125R | Reinforcement |
| 6 | 1509P | Washer 5/16 x 3/4 x 16 Ga. | 44 | 4909H | Shoulder Bolt |
| 7 | 7118R | Handle Bar | 45 | 3148R | Wheel |
| 8 | 2002P | R.H. Rivet 1/4 x 1 - 5/8 | 46 | 7065R | Wheel Support Pin |
| 9 | 4888H | Latch Pin 1/4 x 1 - 1/2 | 47 | 670A33 | Gage Wheel Support |
| 10 | 7122R | Clutch Control Lever | 48 | 1567P | *Washer 13/32 x 13/16 x 11 Ga. |
| 11 | 7142R | Clutch Rod Upper | 48 | 614P | *Hex Nut 3/8 - 18 UNC |
| 12 | 7117R | Handle | 50 | 4629H | Dr. Pin Hd. Rivet 3/8 x 1 - 3/4 |
| 13 | 3785F | *Wing Nut No. 10 24 | 51 | 624A47 | Time Assembly R.H. Outer - 13" |
| 14 | 1006P | *Lockwasher No. 10 | 52 | 3146A | Retainer Spring |
| 15 | 4899H | Turbobuckle | 53 | 624A45 | Time Assembly R.H. Inner - 13" |
| 16 | 6030H | Clamp Washer | 54 | 624A44 | Time Assembly L.H. Inner - 13" |
| 17 | 4900H | Clutch Rod Lower | 55 | 624A46 | Time Assembly L.H. Outer - 13" |
| 18 | 8053R | Instruction Decal (D54252R1 only) | 56 | 7186R | Dr. Pin Hd. Rivet 3/8 x 2 - 1/4 |
| 18 | 8094R | Instruction Decal (D44152R1 only) | 57 | 6266H | Drag Stake |
| 19 | 8092R | Decal (D54252R1 only) | 58 | 4921H | Retainer Spring |
| 20 | 7076R | Decal (D44152R1 only) | 58 | 8281R | Skate Spring |
| 21 | 7088R | Caution Decal (D54252R1 only) | 60 | 2007P | Skate Support and Spring (Inc. 59 and L) |
| 22 | 7143R | Throttle Control | 62 | 4636H | Retainer Spring |
| 23 | 7134R | Idle Arm Support | 63 | 4880H | Dr. R.H. Rivet 1/2 x 3 - 1/4 |
| 24 | 7127R | Time Shield Support | 64 | 670A36 | Wheel and Handle Support Assembly |
| 25 | 7571R | Decal - L.H. (D54252R1 only) | 65 | 1002P | *Lockwasher 5/16 |
| 26 | 7572R | Decal - R.H. (D54252R1 only) | 66 | 504P | *Hex Nut 5/16 - 18 UNC |
| 27 | 7125R | Time Shield | 67 | 1611P | *Washer 3/8 x 7/8 x 14 Ga. |
| 28 | 7146R | Decal (D54252R1 only) | 68 | 603P | *Hex Nut 1/4 - 20 UNC |
| 28 | 7131R | Decal (D44152R1 only) | 69 | 1004P | *Lockwasher 3/8 |
| 29 | 670A38 | Engine - 5 H.P. (D54252R1 only) | 70 | 601P | *Hex Nut 3/8 - 18 UNC |
| 29 | 670A38 | Engine - 4 H.P. (D44152R1 only) | A | 57P | *Sq. Neck Carriage Bolt - Short |
| 30 | 2649M | Square Key | B | 3010P | Shoulder 5/16 - 18 UNC x 1 - 1/2 |
| 31 | 7141R | Engine Pulley | C | 3014P | *Hex Bolt 5/16 - 18 UNC x 1 - 3/4 |
| 32 | 1317R | Engine Pulley | D | 1029P | *Lockwasher 1/4 |
| 33 | 670A16 | Belt Guard Assembly | E | 3011P | *Hex Bolt 5/16 - 18 UNC x 1 |
| 34 | 7151R | Decal - 6 H.P. (D54252R1 only) | F | 3010P | *Hex Bolt 5/16 - 18 UNC x 3/4 |
| 34 | 7378R | Decal - 4 H.P. (D44152R1 only) | G | 3010P | *Hex Bolt 5/16 - 18 UNC x 3/4 |
| 35 | 670A23 | Transmission (D54252R1 only) | H | 3313P | *Hex Bolt 5/16 - 24 UNC x 3 - 1/2 |
| 35 | 670A23 | Transmission (D44152R1 only) | J | 3029P | *Hex Bolt 3/8 - 16 UNC x 1 - 3/4 |
| 36 | 670A14 | Idle Arm Assembly | K | 2511P | *Cover No. 3116 - 1 |
| 37 | 4632H | Idle Pulley | L | 5614P | *Signed Hex Washer Hd. Thrd. Cutting Screw - Type 1, 1/4 - 20 UNC x 1/2 |
| 38 | 7120R | Idle Stop Washer | M | 3027P | *Hex Bolt 3/8 - 16 UNC x 1 |
| 39 | 7140R | V-Belt | N | 3025P | *Hex Bolt 3/8 - 16 UNC x 1 - 1/4 |
| | | | P | 3008P | *Hex Bolt 5/16 - 18 UNC x 1 - 1/2 |
| | | | | 8503R | Owners Manual |

*STANDARD HARDWARE - PURCHASE LOCALLY

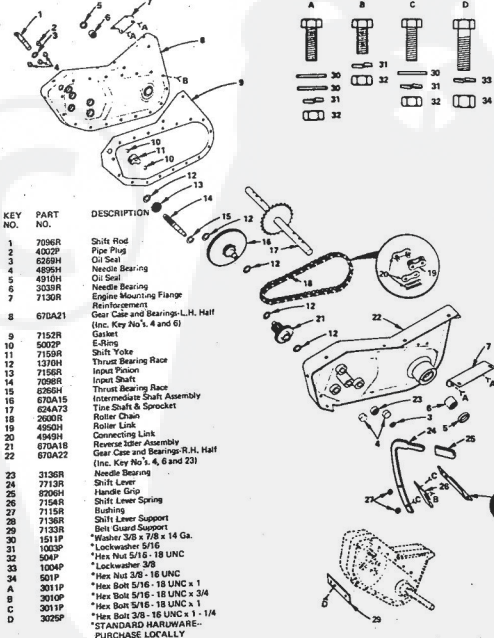
4 H.P. GIANT-TILLER--MODEL NO. D44152R1

Transmission



5 H.P. GIANT-TILLER I--MODEL NO. D54252R1

Transmission



| KEY NO. | PART NO. | DESCRIPTION |
|---------|----------|---|
| 1 | 7096R | Shift Rod |
| 2 | 4002P | Pin Plug |
| 3 | 6266H | Oil Seal |
| 4 | 4895H | Needle Bearing |
| 5 | 4910H | Oil Seal |
| 6 | 3038R | Engine Mounting Flange |
| 7 | 7130R | Reinforcement |
| 8 | 670A21 | Gear Case and Bearings-L.H. Half (Inc. Key No's. 4 and 6) |
| 9 | 7152R | Gasket |
| 10 | 2002P | E-Stop |
| 11 | 7158R | Shift Yoke |
| 12 | 1210H | Thrust Bearing Race |
| 13 | 7156R | Input Pinion |
| 14 | 7098R | Thrust Bearing Race |
| 15 | 6266H | Input Shaft |
| 16 | 670A15 | Intermediate Shaft Assembly |
| 17 | 624A73 | Time Shaft & Sprocket |
| 18 | 2600R | Roller Chain |
| 19 | 4950H | Roller Link |
| 20 | 1945H | Connecting Link |
| 21 | 670A18 | Reverse Idle Assembly |
| 22 | 670A22 | Gear Case and Bearings-R.H. Half (Inc. Key No's. 4, 6 and 23) |
| 23 | 3136R | Needle Bearing |
| 24 | 7713R | Shift Lever |
| 25 | 6206H | Handle Grip |
| 27 | 7154R | Shift Lever Spring |
| 27 | 7115R | Bushing |
| 28 | 7138R | Shift Lever Support |
| 29 | 7133R | Belt Guard Support |
| 30 | 1511P | *Washer 3/8 x 7/8 x 14 Ga. |
| 31 | 1003P | *Lockwasher 5/16 |
| 32 | 504P | *Hex Nut 5/16 - 18 UNC |
| 33 | 1004P | *Lockwasher 3/8 |
| 34 | 601P | *Hex Nut 3/8 - 18 UNC |
| A | 3011P | *Hex Bolt 5/16 - 18 UNC x 1 |
| B | 3010P | *Hex Bolt 5/16 - 18 UNC x 3/4 |
| C | 3011P | *Hex Bolt 5/16 - 18 UNC x 1 |
| D | 3026P | *Hex Bolt 3/8 - 16 UNC x 1 - 1/4 |

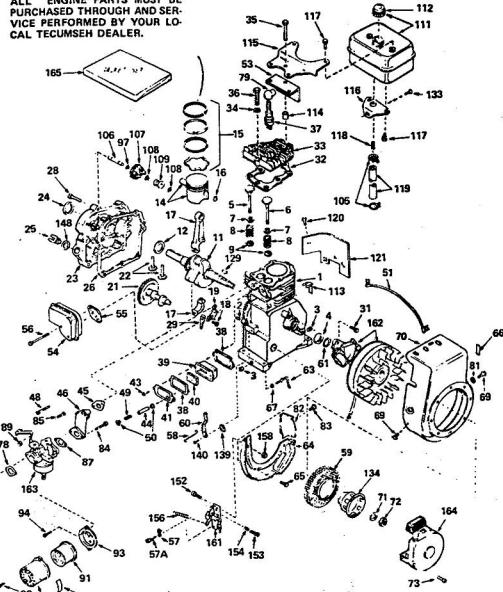
*STANDARD HARDWARE - PURCHASE LOCALLY

4 H.P. GIANT-TILLER--MODEL NO. D44152R1

TUCUMSEH 4 H.P. ENGINE--MODEL NO. HS40-55485G

Engine

ALL ENGINE PARTS MUST BE PURCHASED THROUGH AND SERVICE PERFORMED BY YOUR LOCAL TUCUMSEH DEALER.



Engine

4 H.P. GIANT-TILLER--MODEL NO. D44152R1

TUCUMSEH 4 H.P. ENGINE--MODEL NO. HS40-55485G

| KEY NO. | PART NO. | DESCRIPTION | KEY NO. | PART NO. | DESCRIPTION |
|---------|----------|--|---------|----------|--|
| 1 | 33014A | Cylinder Assy. (Incl. No's. 2, 3 & 4) | 49 | 34148 | Spring, Coil |
| 2 | 26727 | Pin, Dowel | 50 | 32446 | Grommet, Heat Tube |
| 3 | 27842 | Plug, Sp. Hd. Pipe (Oil Drain) | 51 | 31388 | Wire, Ground |
| 4 | 32650 | Seal, Oil | 53 | 33344 | Baffle, Heat |
| 5 | 32644 | Valve, Intake (Std.) (Incl. No's. 7, 8 & 9) | 54 | 32712 | Muffler |
| 5 | 32645 | Valve, Intake (1/32" Oversize) (Incl. No's. 7, 8 & 9) | 55 | *29754 | Gasket, Exhaust |
| 6 | 293138 | Valve, Exhaust (Std.) (Incl. No's. 7, 8 & 9) | 56 | 650253 | Screw, Hex Hd. Cap. 1/4 - 20 x 2 - 1/4 |
| 6 | 293158 | Valve, Exhaust (1/32" Oversize) (Incl. No's. 7, 8 & 9) | 57 | 27793 | Clip, Conduit |
| 7 | 31671 | Cap, Upper Valve Spring | 57A | 28942 | Screw, Hex Slotted Hd. Sems. 10 - 32 x 3/8 |
| 8 | 31672 | Spring, Valve | 58 | 32698 | Link, Governor-to-throttle |
| 9 | 31673 | Cap, Lower Valve Spring | 59 | 33668 | Screen, Starter |
| 11 | 32877A | Crankshaft Assy. (Std.) | 60 | 31510 | Lever, Governor |
| 12 | 32323 | Washer, Thrust | 61 | 33816 | Gasket, Sator |
| 14 | 32003 | Piston & Pin Assy. (Incl. 2 of No. 16) (L20 Oversize) | 63 | 31334 | Rod, Governor |
| 14 | 32604 | Piston & Pin Assy. (Incl. 2 of No. 16) (L20 Oversize) | 64 | **33342 | Baffle, Blower Housing |
| 14 | 32605 | Piston & Pin Assy. (Incl. 2 of No. 16) (L20 Oversize) | 65 | 650561 | Screw, Phil. Hex Hd. Sems. 1/4 - 20 x 5/8 |
| 15 | 32606 | Ring Set, Piston (Std.) | 68 | 34149 | Decal, Name & Instruction |
| 15 | 32607 | Ring Set, Piston (L20 Oversize) | 69 | 29277 | Washer, Flat |
| 15 | 32608 | Ring Set, Piston (L20 Oversize) | 69 | 29212 | Screw, Hex Hd. Sems. 1/4 - 28 x 7/16 |
| 16 | 20381 | Ring, Piston Pin Retaining | 70 | *33653A | Housing, Blower |
| 17 | 32875 | Rod Assy., Connecting (Incl. No's. 18 & 19 and 20) | 71 | 650193 | Washer, Belleville |
| 18 | 32610 | Screw, Connecting Rod | 72 | 650507 | Nut, Hex |
| 19 | 29609 | Plate, Lock | 73 | *29716 | Screw, Phil. Pan Hd. Sems. 1/4 - 28 x 7/16 |
| 21 | 33158 | Cambshaft (Compression Release) | 78 | *27272 | Gasket, Air Cleaner |
| 22 | 27241 | Liter, Valve | 79 | 810118 | Cover, Spark Plug |
| 23 | 32700A | Cover, Cylinder (Incl. No's. 24, 25, 106 & 148) | 81 | 650698 | Washer, Flat |
| 24 | 27897 | Seal, Oil | 82 | 33341 | Extension, Baffle |
| 25 | 27625 | Plug, Oil Filler (Incl. No. 148) | 83 | 650701 | Screw, Phil. Hex Washer Hd. Self-Drilling, 8 - 18 x 7/16 |
| 26 | 27677 | Gasket, Cylinder Cover | 84 | 6202 | Screw, Hex Hd. Cap. 1/4 - 28 x 1 |
| 28 | 30564 | Screw, Hex Hd. Cap Sems. 1/4 - 20 x 1 | 85 | *28756 | Gasket, Carburetor |
| 28 | 30564 | Diaphragm | 89 | 29752 | Nut & Lockwasher Assy., 1/4 - 28 |
| 31 | 650489 | Screw, Hex Hd. Sems. w/flatwasher, 1/4 - 20 x 5/8 | 90 | 810152 | Body, Air Cleaner |
| 32 | *33015 | Gasket, Cylinder Head | 91 | 31700 | Element, Air Cleaner |
| 33 | 33016 | Head, Cylinder | 92 | 650152 | Screw, Fil. Slotted Hd. Sems. 8 - 32 x 3/8 |
| 34 | 26073 | Washer | 93 | 34147 | Bracket, Air Cleaner |
| 35 | 650604 | Screw, Hex Hd. Cap. 5/16 - 18 x 2 | 94 | 38820 | Screw, Phil. Fil. Hd. Mach. Sems. 10 - 32 x 1/2 |
| 36 | 6021 | Screw, Hex Hd. Cap. 5/16 - 18 x 1 - 1/2 | 97 | 30590A | Washer, Flat |
| 37 | 33326 | Plug, Spark (Champion J-8 or Equivalent) | 106 | 30574 | Shaft, Mechanical Governor |
| 38 | 27234 | Gasket, Valve Spring Cover | 107 | 30691 | Gear Assy., Governor (Incl. No. 97) |
| 39 | 27656 | Body, Breather | 108 | 21513 | Ring, Retaining |
| 40 | 27233 | Element, Breather | 109 | 30588A | Spool, Governor |
| 41 | 34146 | Cover, Valve Spring | 111 | 33130 | Tank Assy., Fuel (Incl. No. 112 & 117) |
| 43 | 650128 | Screw, Fil. Slotted Hd. Sems. 10 - 24 x 1/2 | 112 | 4101448 | Cap, Fuel Tank |
| 44 | 32447 | Tube, Breather | 113 | 29443 | Clip, Fuel Line |
| 45 | *32649 | Gasket, Intake Pipe | 114 | 29212 | Spacer, Tank Bracket |
| 46 | 32699 | Pipe, Intake | 115 | 28317A | Bracket, Fuel Tank - Upper |
| 48 | 30646 | Screw, Phil. Fil. Hd. Sems. 1/4 - 20 x 1 - 3/8 | 116 | 32762 | Bracket, Fuel Tank - Lower |
| | | | 117 | 650605 | Screw, Hex Hd. Sems. 1/4 - 14 x 7/8 |
| | | | 118 | 28819 | Spring, Fuel Line |
| | | | 119 | 30705 | Line, Fuel |
| | | | 120 | 650128 | Screw, Fil. Slotted Hd. Sems. 10 - 24 x 1/2 |

4 H.P. GIANT-TILLER--MODEL NO. D44152R1

TUCUMSEH 4 H.P. ENGINE--MODEL NO. HS40-55485G

Engine

| KEY NO. | PART NO. | DESCRIPTION |
|---------|----------|--|
| 121 | 29745 | Extension, Blower Housing |
| 129 | 610851 | Key, Flywheel |
| 133 | 650561 | Screw, Phil. Hex Hd. Sems. 1/4 - 20 x 5/8 |
| 134 | 33667 | Cap, Starter |
| 139 | 31335 | Clamp, Governor Lever |
| 140 | 650548 | Screw, Hex Slotted Washer Hd., 8 - 32 x 3/8 |
| 146 | 31871 | Decal, Air Cleaner |
| 148 | *29673 | Gasket, Oil Fill |
| 152 | **30091 | Screw, Hex Slotted Washer Hd. Sems. 8 - 32 x 1/2 |
| 153 | 650549 | Screw, Fil. Slotted Hd. Mach. S. - 40 x 7/16 |
| 154 | 31342 | Spring, Compression |
| 156 | 31426 | Spring, Extension |
| 158 | **30322 | Nut & Lockwasher Assy., 8 - 32 |
| 161 | **33879 | Control Assy., Speed (Incl. No's. 152, 153, 154 & 155) |
| 162 | 610942A | Magneto (The complete magneto is not available as an assembly. The magneto number is shown for reference purposes only. Order component parts individually, as shown in parts list.) |
| 163 | 631918 | Carburetor (Incl. No. 87) |
| 164 | *680420 | Starter Assy., Rewind |
| 165 | 33240 | Gasket Set (Incl. Items Marked *) |

*In original production the speed control assembly is riveted to the blower housing baffle. Replacement speed control assembly includes screws and nuts for mounting. Replacement baffle has threaded holes.

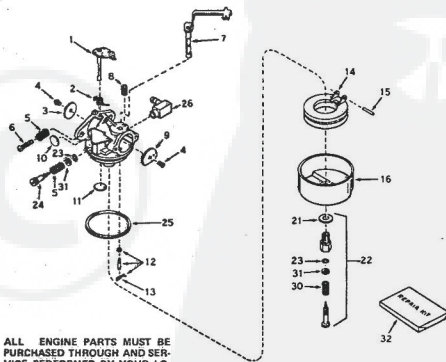
**In original production the starter is riveted to the blower housing. If either the starter or blower housing requires replacement, both will have to be ordered. Also order four (4) screws illustrated to attach replacement starter to replacement blower housing.

4 H.P. GIANT-TILLER--MODEL NO. D44152R1

5 H.P. GIANT-TILLER I--MODEL NO. D54252R1

NO. 631918 FOR TUCUMSEH 4 H.P. ENGINE--MODEL NO. HS40-55485G
NO. 631923 FOR TUCUMSEH 5 H.P. ENGINE--MODEL NO. HS50-67112C

Carburetor



ALL ENGINE PARTS MUST BE PURCHASED THROUGH AND SERVICE PERFORMED BY YOUR LOCAL TUCUMSEH DEALER.

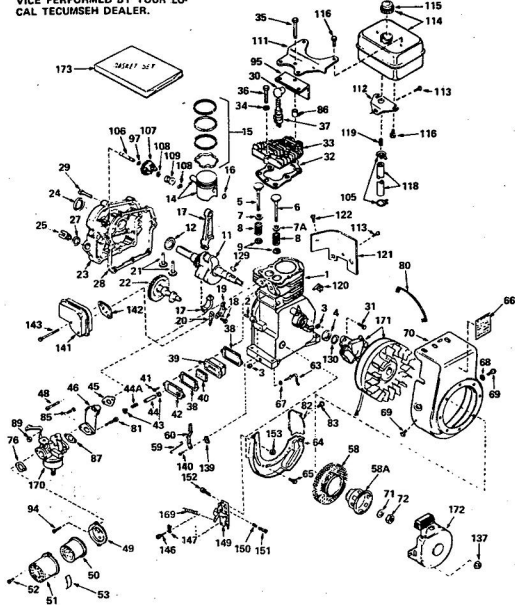
| KEY NO. | PART NO. | DESCRIPTION | KEY NO. | PART NO. | DESCRIPTION |
|---------|----------|---|---------|----------|--|
| 1 | 631615 | Shaft & Lever Assy., Throttle | 14 | 631023 | Float, Carburetor |
| 2 | 631279 | Spring, Throttle Return | 15 | *631024 | Shaft, Float |
| 3 | 631036 | Shutter, Throttle | 18 | 631807 | Bowl, Float |
| 4 | 65256 | Screw, 4 - 40 x 3/16 | 21 | 27110 | Gasket, Bowl-to-body |
| 5 | 630760 | Spring, Idle Regulating Screw | 22 | *31838 | Adjustment Screw Assy., Main (Incl. No's. 21, 23, 30 & 31) |
| 6 | 650417 | Screw, Idle Regulating | 23 | *630740 | *"C" Ring, Adjustment Screw |
| 7 | 630919 | Shaft & Lever Assy., Choke | 24 | *831078 | Screw, Idle Adjustment |
| 8 | 630735 | Spring, Choke Stop | 25 | 631028 | Gasket, Bowl-to-body |
| 9 | 31827 | Shutter, Choke | 26 | 631807 | Fitting, Fuel Inlet |
| 10 | *630748 | Plug, Welch | 30 | 630738 | Spring, Main Adjustment Screw |
| 11 | *631027 | Insert, Needle, Seat & Clip Assy., (Incl. No. 13) | 31 | 630739 | Washer, Flat |
| 12 | 631021 | Clip, Inlet Needle | 32 | 31840 | Repair Kit (Incl. Items Marked *) |

5 H.P. GIANT-TILLER I--MODEL NO. D54252R1

TECUMSEH 5 H.P. ENGINE--MODEL NO. HS50-67112C

Engine

ALL ENGINE PARTS MUST BE PURCHASED THROUGH AND SERVICE PERFORMED BY YOUR LOCAL TECUMSEH DEALER.



Engine

5 H.P. GIANT-TILLER I--MODEL NO. D54252K1

TECUMSEH 5 H.P. ENGINE--MODEL NO. HS50-67112C

| KEY NO. | PART NO. | DESCRIPTION | KEY NO. | PART NO. | DESCRIPTION |
|---------|----------|---|---------|----------|---|
| 1 | 32674 | Cylinder Assy. (Incl. No's. 2, 3 & 4) | 49 | 34147 | Bracket, Air Cleaner |
| 2 | 26727 | Pin, Dowel | 50 | 31700 | Element, Air Cleaner |
| 3 | 32642 | Plug, So. Hd. Pipe, 1/4 - 18 (Oil Drain) | 51 | 31692 | Body, Air Cleaner |
| 4 | 32602 | Gasket, Oil | 52 | 65012 | Screw, Fil. Slotted Hd. Sems. 8 - 32 x 3/8 |
| 5 | 32644 | Valve, Intake (Std.) (Incl. No's. 7, 8 & 9) | 53 | 31671 | Decal, Air Cleaner |
| 6 | 32645 | Valve, Exhaust (1/32" Oversize) (Incl. No's. 7, 8 & 9) | 54 | 33668 | Screws, Starter Cup |
| 7 | 293138 | Valve, Exhaust (Std.) (Incl. No's. 7A, 8 & 9) | 55A | 33667 | Cup, Starter |
| 8 | 293158 | Valve, Exhaust (1/32" Oversize) (Incl. No's. 7A, 8 & 9) | 56 | 32988 | Link, Governor-to-throttle |
| 9 | 31671 | Cap, Upper Valve Spring (Intake) | 60 | 31610 | Lever, Governor |
| 10 | 31672 | Cap, Upper Valve Spring (Exhaust) | 61 | 31554 | Rod, Governor |
| 11 | 31673 | Spring, Valve | 64 | 850561 | Baffle, Blower Housing |
| 12 | 32233 | Washer, Thrust | 65 | 36149 | Decal, Name & Instruction |
| 13 | 33677 | Crankshaft | 67 | 32777 | Washer, Flat |
| 14 | 33562 | Piston & Pin Assy. (Std.) (Incl. 2 of No. 16) | 68 | 65018 | Screw, Hex Hd. Sems. 1/4 - 28 x 7/16 |
| 15 | 33563 | Piston & Pin Assy. (L10 Oversize) (Incl. 2 of No. 16) | 70 | **33663A | Housing, Blower |
| 16 | 33564 | Piston & Pin Assy. (L20 Oversize) (Incl. 2 of No. 16) | 71 | 650763 | Washer, Belleville |
| 17 | 33565 | Ring Set, Piston (Std.) | 72 | 650507 | Gasket, Air Cleaner |
| 18 | 33566 | Ring Set, Piston (L10 Oversize) | 80 | 31250 | Screw, Ground |
| 19 | 33567 | Ring Set, Piston (L20 Oversize) | 81 | 6202 | Screw, Hex Hd. Cap. 1/4 - 28 x 1 |
| 20 | 33568 | Ring, Piston Pin Retaining | 83 | 33341 | Extension, Baffle |
| 21 | 33569 | Rod Assy., Connecting (Incl. No's. 18, 19 & 20) | 85 | 650001 | Screw, Phil. Hex Hd. Sems. 1/4 - 28 x 2 |
| 22 | 33570 | Screw, Connecting Rod | 86 | 28212 | Spacer |
| 23 | 32699 | Plank, Lead | 87 | 29765 | Gasket, Carburetor |
| 24 | 32654 | Dipper, Oil | 88 | 28220 | Nut & Lockwasher, 1/4 - 28 |
| 25 | 27241 | Lift, Valve | 89 | 28220 | Screw, Phil. Fil. Hd. Mach. Sems. 10 - 32 x 1/2 |
| 26 | 32158 | Camshaft (Compression Release) | 95 | 32344 | Baffle, Heat |
| 27 | 32700A | Cover, Cylinder (Incl. No's. 24, 25, 27) | 97 | 30550A | Washer, Flat |
| 28 | 27897 | Seal, Oil | 105 | 26450 | Clamp, Fuel Line |
| 29 | 27825 | Filter, Oil | 106 | 30574 | Shaft, Mechanical Governor |
| 30 | 27877 | Gasket, Cylinder Cover | 107 | 30591 | Gear Assy., Governor (Incl. No. 97) |
| 31 | 30564 | Screw, Lockwasher, Hex Hd. Cap. 1/4 - 20 x 1 | 108 | 29163 | Ring, Respinning |
| 32 | 610118 | Screw, Hex Hd. Sems w/Flatwasher, 1/4 - 20 x 5/8 | 109 | 30588A | Spool, Governor |
| 33 | 650489 | Gasket, Cylinder Head | 111 | 28371A | Bracket, Fuel Tank - Upper |
| 34 | 33016 | Head, Cylinder | 112 | 32762 | Bracket, Fuel Tank - Lower |
| 35 | 29573 | Screw, Hex Hd. Cap. 5/16 - 18 x 2 | 113 | 650561 | Screw, Phil. Hex Hd. Sems. 1/4 - 20 x 5/8 |
| 36 | 650684 | Screw, Hex Hd. Cap. 5/16 - 18 x 1 - 1/2 | 114 | 33120 | Tank Assy., Fuel (Incl. No's. 115 & 116) |
| 37 | 33636 | Plug, Spark (Champion J-8 or equivalent) | 115 | 650665 | Screw, Hex Hd. Sems. 1/4 - 14 x 7/8 |
| 38 | 27224 | Gasket, Breather Cover | 116 | 30795 | Line, Fuel |
| 39 | 27656 | Body Assy., Breather | 118 | 28819 | Spring, Fuel Line |
| 40 | 27223 | Element, Breather | 120 | 29443 | Clip, Fuel Line |
| 41 | 650128 | Screw, Fil. Slotted Hd. Sems. 10 - 24 x 1/2 | 121 | 29145 | Extension, Blower Housing |
| 42 | 34146 | Cover, Valve Spring | 122 | 650128 | Screw, Fil. Slotted Hd. Sems. 10 - 24 x 1/2 |
| 43 | 32446 | Tube, Breather | 129 | 610981 | Key, Flywheel |
| 44 | 34148 | Tube, Breather | 130 | 33816 | Gasket, Starter |
| 45 | 33673 | Gasket, Intake | 137 | **29762 | Nut & Lockwasher Assy., 1/4 - 28 |
| 46 | 33666 | Screw, Phil. Fil. Hd. Sems. 1 - 4 20 x 1 - 3/8 | 139 | 31255 | Clamp, Governor Lever |
| 47 | 30646 | Screw, Phil. Fil. Hd. Sems. 1 - 4 20 x 1 - 3/8 | 140 | 650648 | Screw, Hex Slotted Washer Hd., 8 - 32 x 3/8 |
| 48 | 30646 | Screw, Phil. Fil. Hd. Sems. 1 - 4 20 x 1 - 3/8 | 141 | 33671 | Muffler |
| | | | 142 | 33670 | Gasket, Muffler |
| | | | 143 | 650253 | Screw, Hex Hd. Cap. 1/4 - 20 x 2 - 1/4 |

5 H.P. GIANT-TILLER I--MODEL NO. D54252R1

TECUMSEH 5 H.P. ENGINE--MODEL NO. HS50-67112C

Engine

| KEY NO. | PART NO. | DESCRIPTION |
|---------|----------|--|
| 146 | 28942 | Screw, Hex Slotted Hd. Sems. 10 - 32 x 3/8 |
| 147 | 27793 | Clip, Control |
| 149 | *33578 | Control Assy., Speed (Incl. No's. 150 thru 153) |
| 150 | 31342 | Spring, Compression |
| 151 | 650549 | Screw, Fil. Slotted Hd. Mach., 5 - 40 x 7/16 |
| 152 | *30091 | Screw, Hex Slotted Washer Hd. Sems. 8 - 32 x 1/2 |
| 153 | *30322 | Nut, Lock, 8 - 32 |
| 169 | 31426 | Spring, Extension |
| 170 | 631923 | Carburetor (Incl. No. 87) |
| 171 | 610942A | Magneto (The complete magneto is not available as an assembly. The magneto number is shown for reference purposes only. Order component parts individually, as shown in parts list.) |
| 172 | **590420 | Starter, Rewind |
| 173 | 33683 | Gasket Set (Incl. items marked *) |

*In original production the speed control assembly is riveted to the blower housing baffle. Replacement speed control assembly includes screws and nuts for mounting. Replacement baffle has threaded holes.

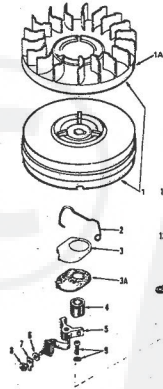
**In original production the starter is riveted to the blower housing. If either the starter or blower housing requires replacement, both will have to be ordered. Also order four (4) nuts illustrated to attach replacement starter to replacement blower housing.

4 H.P. GIANT-TILLER --MODEL NO. D44152R1

5 H.P. GIANT-TILLER I--MODEL NO. D54252R1

*Magneto No. 610942A

TECUMSEH 4 H.P. ENGINE--MODEL NO. HS40-55485G
TECUMSEH 5 H.P. ENGINE--MODEL NO. HS50-67112C



ALL ENGINE PARTS MUST BE PURCHASED THROUGH AND SERVICE PERFORMED BY YOUR LOCAL TECUMSEH DEALER.

| KEY NO. | PART NO. | DESCRIPTION | KEY NO. | PART NO. | DESCRIPTION |
|---------|----------|----------------------------------|---------|----------|--|
| 1 | 33669B | Flywheel (Incl. Nos. 1A, 3 & 3A) | 10 | 610593 | Screw, Condenser |
| 1A | 610933 | Fan, Blower | 11 | 30569A | Coil Assy. (Incl. No. 12) |
| 2 | 30551 | Spring, Breaker box dust cover | 12 | 30551 | Wire, Lead |
| 3 | 610947 | Cover, Dust | 13 | 30548A | Condenser |
| 3A | 610950 | Gasket, Dust cover | 14 | 30545 | Core & Frame |
| 4 | 30992 | Cam, Breaker | 15 | 30561B | Stator Assy. (Incl. Nos. 2, 3, 3A, 5 thru 14 & 16 thru 18) |
| 5 | 30547A | Contact Assy., Breaker | 16 | 30540 | Felt, Cam wiper |
| 6 | 610365 | Washer, Terminal | 17 | 31311 | Clip, Coil locking |
| 7 | 33356 | Tab, Ground terminal | 18 | 29629 | Spring, Coil wedge |
| 8 | 610408 | Nut, Terminal | | | |
| 9 | 29181 | Screw & Washer, Breaker | | | |

*The complete magneto is not available as an assembly. The magneto number is shown for reference purposes only. Order component parts individually, as shown in parts list.

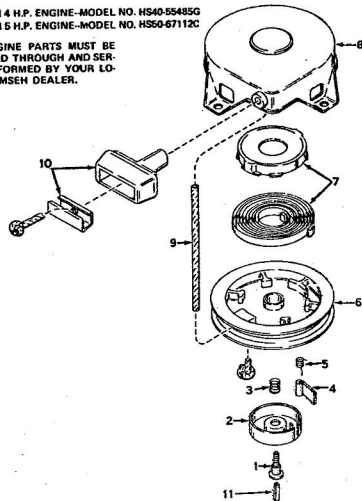
Click Here to upgrade to Unlimited Pages and Expanded Features

4 H.P. GIANT-TILLER--MODEL NO. D44152R1
5 H.P. GIANT-TILLER I--MODEL NO. D54252R1

Rewind Starter No. 590420

TECUMSEH 4 H.P. ENGINE--MODEL NO. HS40-55485G
TECUMSEH 5 H.P. ENGINE--MODEL NO. HS50-67112C

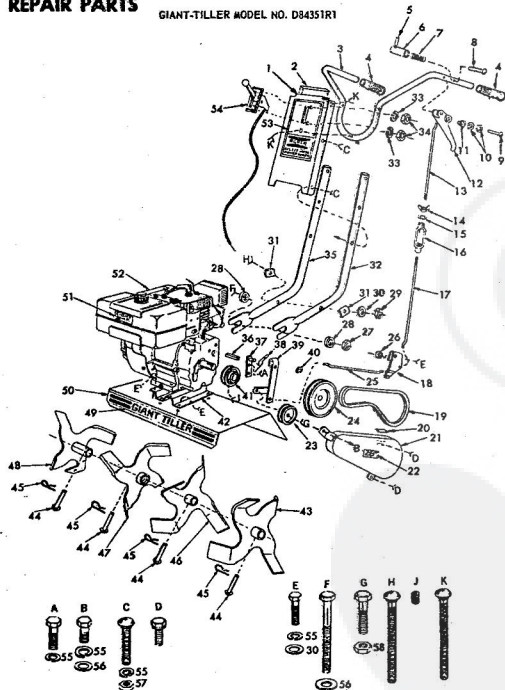
ALL ENGINE PARTS MUST BE PURCHASED THROUGH AND SERVICE PERFORMED BY YOUR LOCAL TECUMSEH DEALER.



| KEY NO. | PART NO. | DESCRIPTION | KEY NO. | PART NO. | DESCRIPTION |
|---------|----------|------------------|---------|----------|------------------------|
| 1 | 59040B | Screw, Retainer | 6 | 590413A | Pulley |
| 2 | 590410 | Retainer, R.H. | 7 | 590414 | Spring & Washer Assy. |
| 3 | 590411 | Sprock. Brake | 8 | 590415 | Winding Assy., Starter |
| 4 | 59041B | Dog, Starter | 9 | 590389 | Frame, Starter |
| 5 | 590412 | Spring, R.H. Dog | 10 | 590392 | Handle Assy., Starter |
| | | | 11 | 500459 | Pin, Detent |

REPAIR PARTS

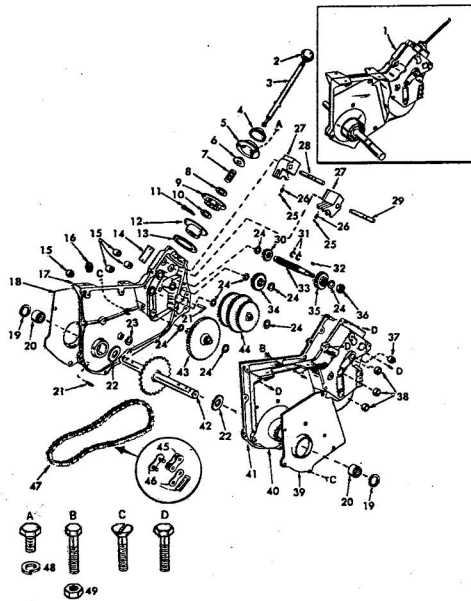
GIANT-TILLER MODEL NO. D84351R1



GIANT-TILLER MODEL NO. D84351R1

| KEY NO. | PART NO. | DESCRIPTION | KEY NO. | PART NO. | DESCRIPTION |
|---------|----------|-------------------------|---------|----------|--|
| 1 | 6832R | Handle Plate | 37 | 624A12 | Idler Arm Support & P. |
| 2 | 7888R | Caution Decal | 38 | 6845R | Idler Spring |
| 3 | 6833R | Handle Bar | 39 | 624A11 | Idler Arm & Straps |
| 4 | 8275H | Handle Grip | 40 | 5012P | E-Ring |
| 5 | 4920H | Roll Pin | 41 | 4931H | Engine Sleeve |
| 6 | 4837H | Latch Button | 42 | 6922R | Adapter Plate |
| 7 | 4922H | Spring | 43 | 624A61 | Time Assembly, L.H. O |
| 8 | 4868H | Drilled Rivet R.H. | 44 | 4920H | Drilled Rivet, Pan Hd. |
| 9 | 2066P | Rivet R.H. 1/2x3/8 | 45 | 3146H | Retainer Spring |
| 10 | 1509P | Washer 5/16x5/16 Ga. | 46 | 624A59 | Time Assembly, L.H. In |
| 11 | 4946H | Pal Nut | 47 | 624A60 | Time Assembly R.H. In |
| 12 | 4879H | Clutch Control Lever | 48 | 624A62 | Time Assembly R.H. O |
| 13 | 8755H | Clutch Rod-Upper | 49 | 7035R | Scotchcol (Giant-Tiller |
| 14 | 3789P | Wing Nut | 50 | 3132R | Time Shield |
| 15 | 1006P | Lockwasher No. 10 | 51 | 7034R | Scotchcol (5 H.P.) |
| 16 | 4899H | Tumbuckle | 52 | 624A75 | Engine Lockon 5 H.P. No. 150107A |
| 17 | 4950H | Clutch Rod-Lower | 53 | 7033R | Scotchcol (Roper) |
| 18 | 4884H | Bell Crank | 54 | 8269H | Theoretic Control with Cable |
| 19 | 4897H | V-Belt | 55 | 1002P | Lockwasher 5/16 |
| 20 | 7030H | Shift Label | 56 | 1537P | Washer 11/32x11/16x |
| 21 | 624A13A | Belt Guard & Bracket | 57 | 504P | Hex Nut 5/16-18 |
| 22 | 7036R | Scotchcol (28") | 58 | 588P | Hex Jam Nut 3/8-16 |
| 23 | 4933H | Idler Pulley | A | 3054P | Hex Bolt 5/16-24x5 |
| 24 | 4823H | Input Sleeve | B | 3052P | Hex Bolt 5/16-24x3 |
| 25 | 4902H | Clutch Rod Link | C | 58P | Carriage Bolt, Short Sh |
| 26 | 4917H | Bushing | D | 6024P | Hex Bolt 5/16-18x2 |
| 27 | 1609H | Locknut 5/16-18 | E | 3012P | Hex Bolt 5/16-18x1 1/2 |
| 28 | 7850H | Spacer Washer | F | 3018P | Hex Bolt 5/16-18x6 |
| 29 | 530P | Washer 5/16-18 | G | 3027P | Hex Bolt 3/8-16x1 1/2 |
| 30 | 556P | Washer 15/32x7/8x14 Ga. | H | 18P | Carriage Bolt 5/16-18 |
| 31 | 8630H | Clamp Washer | J | 4531P | Salt Screw, Hex Socket, Hdless, C.P. 5/16-18 |
| 32 | 6534R | Handle L.H. | K | 57P | Carriage Bolt, Short Sh 5/16-18x1 1/2 |
| 33 | 1002P | Lockwasher 5/16 | | | |
| 34 | 503P | Hex Nut 5/20 | | | |
| 35 | 6835R | Handle R.H. | | | |
| 36 | 4914H | Square Key | | | |

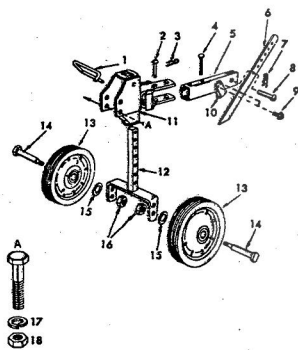
GIANT-TILLER MODEL NO. D84351R1



GIANT-TILLER MODEL NO. D84351R1

| KEY NO. | PART NO. | DESCRIPTION |
|---------|-------------|--|
| 1 | 624A58 | Transmission (Includes Bell Crank) Key No. 18 Page 11 |
| 2 | 6364H | Control Knob |
| 3 | 6213H1 | Gear Shift Lever |
| 4 | 4869H1 | Shift Lever Cap |
| 5 | 4871H | Gear Shift Cover |
| 6 | 6259H | Shift Lever Guide Ball |
| 7 | 4924H | Spring |
| 8 | 1544P | Washer 15/32 x 5/16 x 1/8 Co. |
| 9 | 3139R | Washer 7/16 x 1/2 x 1/16 Co. |
| 10 | 1569P | Washer 7/16 x 1/2 x 1/16 Co. |
| 11 | 2505P | Center Pin 1/8 x 1/2 |
| 12 | 624A56 | Shift Lever Gate and Reinforcement |
| 13 | 4913H | Gasket |
| 14 | Model Plate | |
| 15 | 4895H | Needle Bearing |
| 16 | 4002P | Pipe Plug 3/16 N.P.T. |
| 17 | 624A57 | Gear Case and Bearings-R.H. (Includes Key No. 15, 20 and 22) |
| 18 | 4878H1 | Gear Case Shield R.H. |
| 19 | 4910H | Oil Seal |
| 20 | 4890H | Needle Bearing |
| 21 | 9890M | Dowel Pin |
| 22 | 4870H | Thrust Cap |
| 23 | 4912H | Gasket |
| 24 | 1375H | Thrust Bearing Race |
| 25 | 8127M | Steel Ball |
| 26 | 4923H | Detent Spring |
| 27 | 3140R | Shift Lever Yoke |
| 28 | 4829H | Shift Block Guide (3 Grooves) |
| 29 | 4839H | Shift Block Guide (2 Grooves) |
| 30 | 3140R | Low Speed Pinion |
| 31 | 4926H | Sump Ring |
| 32 | 7638H1 | Woodruff Key 3/16 x 5/8 |
| 33 | 4841H1 | Input Shaft |
| 34 | 624A42 | Reverse Idler and Shaft |
| 35 | 3142R | High Speed Pinion |
| 36 | 9204H | Locknut 5-20 |
| 37 | 3138R | Needle Bearing |
| 38 | 4889H1 | Needle Bearing |
| 39 | 4877H1 | Gear Case Shield L.H. |
| 40 | 624A56 | Gear Case and Bearings L.H. (Includes Key No. 20, 22 and 37) |
| 41 | 2601R | Gasket |
| 42 | 624A73 | Tow Shaft and Sprocket |
| 43 | 624A43 | 2nd Reduction Shaft and Gears |
| 44 | 624A41 | 2nd Reduction Shaft and Gears |
| 45 | 4920H | Roller Link |
| 46 | 4921H | Connecting Link |
| 47 | 2600R | Roller Chain ASA No. 50 |
| 48 | 1903P | Lockwasher 3/16 |
| 49 | 504P | Hex Nut 5/16-18 |
| A | 2018P | Hex Hd. Hck. Screw 5/16-18 x 1/2 |
| B | 5015P | Hex Bolt 5/16-18 x 2 |
| C | 5585P | Slotted Flat Hd. Roll. Lock |
| D | 5586P | Thread Forming Screw 5/16-18 x 1 1/2 |
| | 5586P | Hex Hd. Roll. Lock Thread Forming Screw 5/16-18 x 1 1/2 |
| | 7041R | Owner's Manual |

GIANT-TILLER MODEL NO. D84351R1



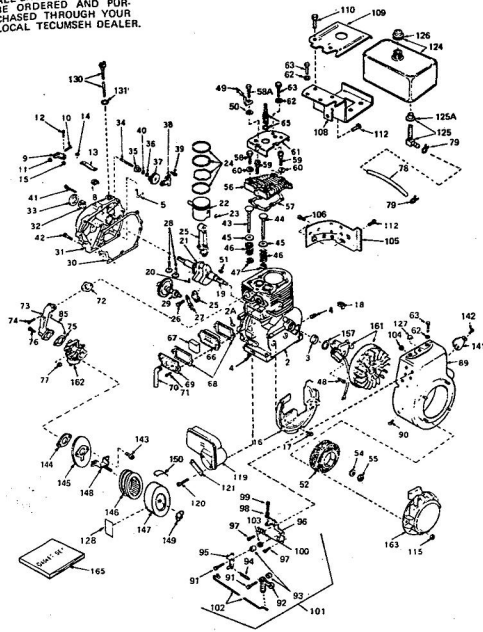
| KEY NO. | PART NO. | DESCRIPTION |
|---------|----------|---|
| 1 | 8251H | Support Pin |
| 2 | 4890H | Drilled Rivet R.H. |
| 3 | 4929M | Retainer Spring |
| 4 | 2007P | Rivet R.H. 3/8 x 3 |
| 5 | 624A54 | Side Support and Strap with Spring and Screws (Keys #9 and 10) |
| 6 | 8250H | Snake |
| 7 | 4921H | Retainer Spring |
| 8 | 4889H | Drilled Rivet R.H. |
| 9 | 5314P | Slotted Hex Washer Hd. Thread Cutting Screw Type 1 1/4 x 20 x 1/2 |
| 10 | 4929H1 | Snake Spring |
| 11 | 624A55 | Wheel Support Bracket Assembly |
| 12 | 624A33A | Comp. Wheel Support and Shaft |
| 13 | 7037R | Wheel 10 x 2.75W |
| 14 | 8284H | Shoulder Bolt |
| 15 | 1537P | Washer 15/32 x 13/16 x 11 Co. |
| 16 | 514P | Hylock Nut 3/8-16 |
| 17 | 1004P | Lockwasher 3/8 |
| 18 | 501P | Hex Nut 3/8-16 |
| A | 3600P | Hex Bolt 3/8-16 x 2 1/4 |

REPAIR PARTS 4-CYCLE ENGINE

ALL ENGINE PARTS MUST BE ORDERED AND PURCHASED THROUGH YOUR LOCAL TECUMSEH DEALER.

GIANT-TILLER MODEL NO. D84351R1

MODEL NUMBER: 155107A



4-CYCLE ENGINE

GIANT-TILLER MODEL NO. D84351R1

MODEL NUMBER: 155107A

| Ref. No. | Part No. | Part Name | Ref. No. | Part No. | Part Name |
|----------|----------|---|----------|----------|---|
| 1 | 656072 | Complete Engine | 42 | 650493 | Screw, Hex hd. Sems, 1/4-20 x 1-3/4 |
| 2 | 33697 | Cylinder Assy. (Incl. Nos. 2A, 3 & 4) | 43 | 33242 | Valve, Intake (Standard) |
| 2A | 27682 | Pin, Dowel | 43 | 33243 | Valve, Intake (1/32" oversize) |
| 3 | 32630 | Seal, Oil | 44 | 27878A | Valve, Exhaust (Standard) |
| 4 | 27642 | Plug, Oil drain | 44 | 27880A | Valve, Exhaust (1/32" over-size) (Incl. No. 47) |
| 5 | 306998 | Rod, Governor | 44 | 27880A | Valve, Exhaust (1/32" over-size) (Incl. No. 47) |
| 8 | 29642 | Ring, Retaining | 45 | 27882 | Cap, Upper valve spring |
| 9 | 29916 | Clamp, Governor lever | 46 | 27851 | Spring, Valve |
| 10 | 29826 | Screw, Hex slotted washer hd. mach., 10-32 x 3/4 | 47 | 32561 | Cap, Lower valve spring |
| 11 | 29216 | Nut, Square, 10-32 | 48 | 650489 | Screw, Hex hd. Sems, w/flat-washer, 1/4-20 x 1 1/16 |
| 12 | 650648 | Screw, Hex slotted washer hd., 8-32 x 3/8 | 49 | 30747 | Clip, Spark plug shorting |
| 13 | 33864 | Lever, Governor | 50 | 10645 | Washer, Lock |
| 14 | 29916 | Lockwasher, No. 8 | 51 | 32559 | Key, Flywheel |
| 15 | 30322 | Nut & Lockwasher Assy., 8-32 | 52 | 33662 | Hub & Screen Assy., Starter |
| 16 | 29536 | Baffle, Blower housing | 54 | 650490 | Washer, Bellcrank |
| 17 | 650561 | Screw, Phil. hex hd. Sems, 1/4-20 x 5/8 | 55 | 8116 | Nut, Hex, 1/2-20 |
| 18 | 29443 | Clip, Fuel line | 56 | 33371 | Head, Cylinder |
| 19 | 33911 | Crankshaft Assy. (Incl. Nos. 20 & 21) | 57 | *33210 | Gasket, Cylinder head |
| 20 | 29785 | Pin, Crankshaft gear | 58A | 650737 | Screw, Phil. hex hd. self-tap., 1/4-20 x 15/32 |
| 21 | 33246 | Gear, Crankshaft | 59 | 650727 | Screw, Special Hex hd. tapped, 1/4-20 x 15/32 |
| 22 | 33869 | Piston & Pin Assy. (Standard) (Incl. 2 of No. 23) | 60 | 650891 | Washer, Flat |
| 22 | 33870 | Piston & Pin Assy. (.010 over-size) (Incl. 2 of No. 23) | 61 | 33272 | Cover, Cylinder head |
| 22 | 33871 | Piston & Pin Assy. (.020 over-size) (Incl. 2 of No. 23) | 62 | 29073 | Washer, Flat |
| 23 | 27888 | Ring, Piston pin retaining | 63 | 650713 | Screw, Hex hd. cap, 5/16-18 x 9/8 |
| 24 | 33878 | Ring Set, Piston (Standard) | 65 | 33636 | Plug, Spark |
| 24 | 33874 | Ring Set, Piston (.010 over-size) | 66 | 28423 | Body, Breather |
| 24 | 33875 | Ring Set, Piston (.020 over-size) | 67 | 28424 | Element, Breather |
| 25 | 33591B | Rod Assy., Connecting (Incl. Nos. 26 & 27) | 68 | *27896 | Gasket, Breather cover |
| 26 | 650662 | Screw, Connecting rod | 69 | 28425 | Cover, Valve spring |
| 27 | 29590 | Plate, Lock & Oil dipper | 70 | 27637 | Tube, Breather |
| 28 | 34034 | Lifter, Valve | 71 | 650128 | Screw, Phil. slotted hd. Sems, 10-24 x 1/2 |
| 29 | 33366 | Camshaft Compression Release | 72 | *27915 | Gasket, Intake |
| 30 | *33253 | Gasket, Cylinder cover | 73 | 33877 | Pipe, Intake |
| 31 | 33367 | Cover, Cylinder (Incl. Nos. 32, 33 & 34) | 74 | 650378 | Screw, Phil. hd. Sems, 5/16-18 x 1-1/8 |
| 32 | 33368 | Bushing, Crankshaft | 75 | *33881 | Gasket, Carburetor |
| 32 | 31950 | Seal, Oil | 76 | 30088A | Screw, Phil. fl. hd. Sems, 1/4-28 x 1 |
| 34 | 31845 | Shaft, Mechanical governor | 77 | 29762 | Nut, Lock, 1/4-28 |
| 35 | 30558A | Spool, Governor | 78 | 30905 | Line, Fuel |
| 36 | 29139 | Ring, Retaining | 79 | 26460 | Clamp, Fuel line |
| 37 | 30591 | Gear Assy., Governor (Incl. No. 40) | 85 | 33878 | Link, Governor lever-to-broiler |
| 38 | 33369 | Bracket, Governor gear | 89 | 33375A | Housing, Blower |
| 39 | 28763 | Screw, Hex washer hd. thread-forming, 10-24 x 1/2 | 90 | 29747A | Screw, Hex hd. Sems, cap, 9/16-24 x 3/4 |
| 40 | 30590A | Washer, Flat | | | |
| 41 | 650488 | Screw, Hex hd. Sems, 1/4-20 x 1-1/4 | | | |

*Indicates Parts Included in Gasket Set, Ref. No. 165.

4-CYCLE ENGINE

GIANT-TILLER MODEL NO. D84351R1

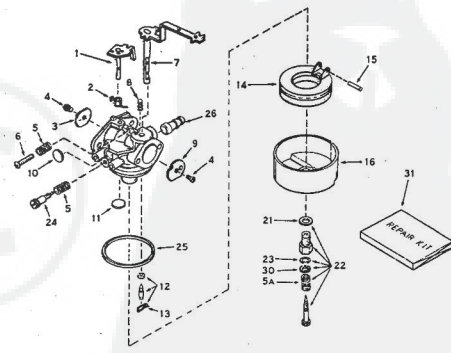
MODEL NUMBER: 155107A

| Ref. No. | Part No. | Part Name | Ref. No. | Part No. | Part Name |
|----------|----------|--|----------|----------|--|
| 91 | 30312 | Screw, Hex slotted washer hd. Sems, 10-32 x 1/2 | 125A | 33679 | Bushing, Fuel fitting |
| 92 | 30712 | Lever, Bellcrank | 127 | 33587 | Cap, Fuel filler |
| 93 | 29330 | Bushing, Bellcrank | 128 | 30592 | Plug, Button |
| 94 | 33578 | Spring, Governor | 130 | 31297 | Decal, Name & Instruction |
| 95 | 30201A | Lever, Control | 131 | *29673 | Gasket, Dipstick |
| 96 | 30199A | Bracket, Control | 141 | 33013 | Cover, Starter bubble |
| 97 | 650399 | Screw, Phil. fl. hd. Sems, 10-32 x 5/8 | 142 | 650760 | Screw, Phil. pan hd. 8-32 x 7/16 |
| 98 | 32924 | Spring, Compression | 143 | 28820 | Screw, Phil. fl. hd. mach., Sems, 10-32 x 1/2 |
| 99 | 650888 | Screw, Hex hd., 10-32 x 1-5/16 (Drilled thro) | 144 | *27272 | Gasket, Air cleaner |
| 100 | 27793 | Clip, Conduit | 145 | 33266 | Bracket, Air cleaner |
| 101 | 730152 | Control Assy., Speed (Incl. Nos. 91 thru 97 & 103) | 146 | 33268 | Element, Air cleaner |
| 102 | 33372 | Link, Gov. lever-to-bellcrank | 148 | 33287 | Bracket, Air cleaner |
| 103 | 28362 | Bushing | 149 | 650513 | Nut, Wing, 1/4-20 |
| 104 | 30529 | Nut, Lock | 150 | 31782 | Decal, Air cleaner |
| 105 | 33273 | Extension, Blower housing | 157 | 33876 | Gasket, Stator |
| 106 | 650128 | Screw, Phil. slotted hd. Sems, 10-24 x 1/2 | 161 | 610842 | Magneto (The complete magneto is not available as an assembly. The magneto number is shown for reference purposes only. Order component parts individually, as shown in parts list.) |
| 108 | 33381 | Bracket Assy., Fuel tank mtg. | | | |
| 109 | 33383 | Bracket, Fuel tank mtg. | | | |
| 110 | 30868 | Screw, Hex hd. cap, Sems, 1/4-20 x 1/2 | 162 | 631783 | Carburetor (Incl. No. 75) |
| 112 | 650561 | Screw, Phil. hex hd. Sems, 1/4-20 x 5/8 | 163 | 590479 | Starter, Rewind |
| 115 | 29752 | Nut, Lock, 1/4-28 | 165 | 33278B | Gasket Set (Incl. Items marked *) |
| 119 | 33756 | Muffler | | | |
| 120 | 650729 | Screw, Hex hd. cap, 5/16-18 x 3/16 | | | |
| 121 | 31588 | Pin, Muffler locking | | | |
| 124 | 33350 | Tank Assy., Fuel (Incl. Nos. 125 & 126) | | | |
| 125 | 33395 | Elbow, Fuel strainer (Incl. No. 125A) | | | |

*Indicates Parts Included in Gasket Set, Ref. No. 165.

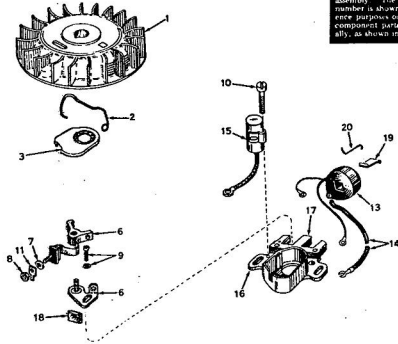
ALL ENGINE PARTS MUST BE ORDERED AND PURCHASED THROUGH YOUR LOCAL TECUMSEH DEALER

GIANT-TILLER MODEL NO. D84351R1 CARBURETOR NO. 631783



| Ref. No. | Part No. | Part Name | Ref. No. | Part No. | Part Name |
|----------|----------|---|----------|----------|---|
| 1 | 631783 | Carburetor | 13 | 631022 | Clip, Inlet needle |
| 2 | 631776 | Shaft & Lever Assembly, Throttle | 14 | 631023 | Floater, Carburetor |
| 3 | 631777 | Spring, Throttle return | 15 | *81024 | Shaft, Float |
| 4 | 650766 | Screw, Rd. hd. 4-40 x 3/16 | 16 | 631867 | Bowl, Float |
| 5 | 630766 | Spring, Idle regulating screw | 21 | 27110 | Gasket, Bowl-to-body |
| 5A | 630738 | Spring, Main adjustment screw | 22 | *631781 | Adjustment Screw Assembly Main (Incl. Nos. 5A, 21, 23 & 30) |
| 6 | 650417 | Screw, Idle regulating | 23 | 630740 | "O" Ring, Adjustment screw |
| 7 | 631812 | Shaft & Lever Assembly, Choke | 24 | *630898 | Screw, Idle adjustment |
| 8 | 630735 | Spring, Choke positioning | 25 | *81025 | Gasket, Bowl-to-body |
| 9 | 631763 | Shutter, Choke | 26 | 631803 | Fuel fitting |
| 10 | *631746 | Plug, Welch | 30 | 630739 | Washer, Flat |
| 11 | *631027 | Plug, Welch | 31 | 631782 | Repair Kit (Incl. Items marked *) |
| 12 | *631021 | Inlet Needle, Seat & Clip Assembly (Incl. No. 13) | | | |

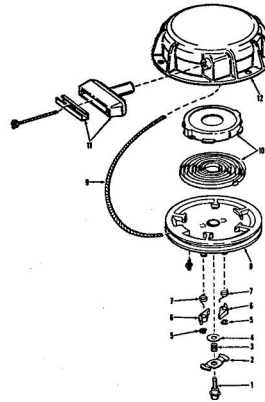
GIANT-TILLER MODEL NO. D84351R1
MAGNETO NO. 610842



The complete magneto is not available in an assembly. The magneto number is shown for reference purposes only. Other component parts include 10, 11, 12, 13, 14, 15, 16, 17, 18, 19, 20, 21, 22, 23, 24, 25, 26, 27, 28, 29, 30, 31, 32, 33, 34, 35, 36, 37, 38, 39, 40, 41, 42, 43, 44, 45, 46, 47, 48, 49, 50, 51, 52, 53, 54, 55, 56, 57, 58, 59, 60, 61, 62, 63, 64, 65, 66, 67, 68, 69, 70, 71, 72, 73, 74, 75, 76, 77, 78, 79, 80, 81, 82, 83, 84, 85, 86, 87, 88, 89, 90, 91, 92, 93, 94, 95, 96, 97, 98, 99, 100.

| Ref. No. | Part No. | Part Name | Ref. No. | Part No. | Part Name |
|----------|----------|------------------------------------|----------|----------|---|
| | 610842 | Magneto | 11 | 30543 | Tab, Ground terminal |
| 1 | 610941 | Flywheel | 12 | 30560A | Coil Assembly (Incl. Ref. No. 14) |
| 2 | 30551 | Spring, Breaker box dust cover | 14 | 30554 | Wire, Ignition lead |
| 3 | 610883 | Cover & Gasket Assy. | 15 | 30548A | Condenser |
| 6 | 30547A | Breaker Assembly | 16 | 30545 | Core and Plate Group |
| 7 | 610385 | Washer, Terminal | 17 | 30561A | Stator Assembly (Incl. Nos. 6 thru 16, 18, 19 & 20) |
| 8 | 610408 | Nut, Terminal | 18 | 30549 | Felt, Cam wiper |
| 9 | 29181 | Screw and Washer Assembly, Breaker | 19 | 29529 | Spring, Coil wedge |
| 10 | 610593 | Screw, Condenser fastening | 20 | 31311 | Clip, Coil lockline |

GIANT-TILLER MODEL NO. D84351R1
REWIND STARTER NO. 590479



| Ref. No. | Part No. | Part Name | Ref. No. | Part No. | Part Name |
|----------|----------|----------------|----------|----------|------------------------|
| | 590479 | Rewind Starter | 7 | 590485 | Spring, Dog |
| 1 | 590480 | Screw, Center | 8 | 590486 | Pulley & Bearing Assy. |
| 2 | 590461 | Cam, Dog | 9 | 590459 | Rope, Starter |
| 3 | 590482 | Spring, Brake | 10 | 590487 | Spring & Keeper Assy. |
| 4 | 32024 | Washer, Brake | 11 | 590397 | Handle Assy., Starter |
| 5 | 590483 | Ring, Retainer | 12 | 590488 | Housing Assy., Starter |
| 6 | 590484 | Dog | | | |