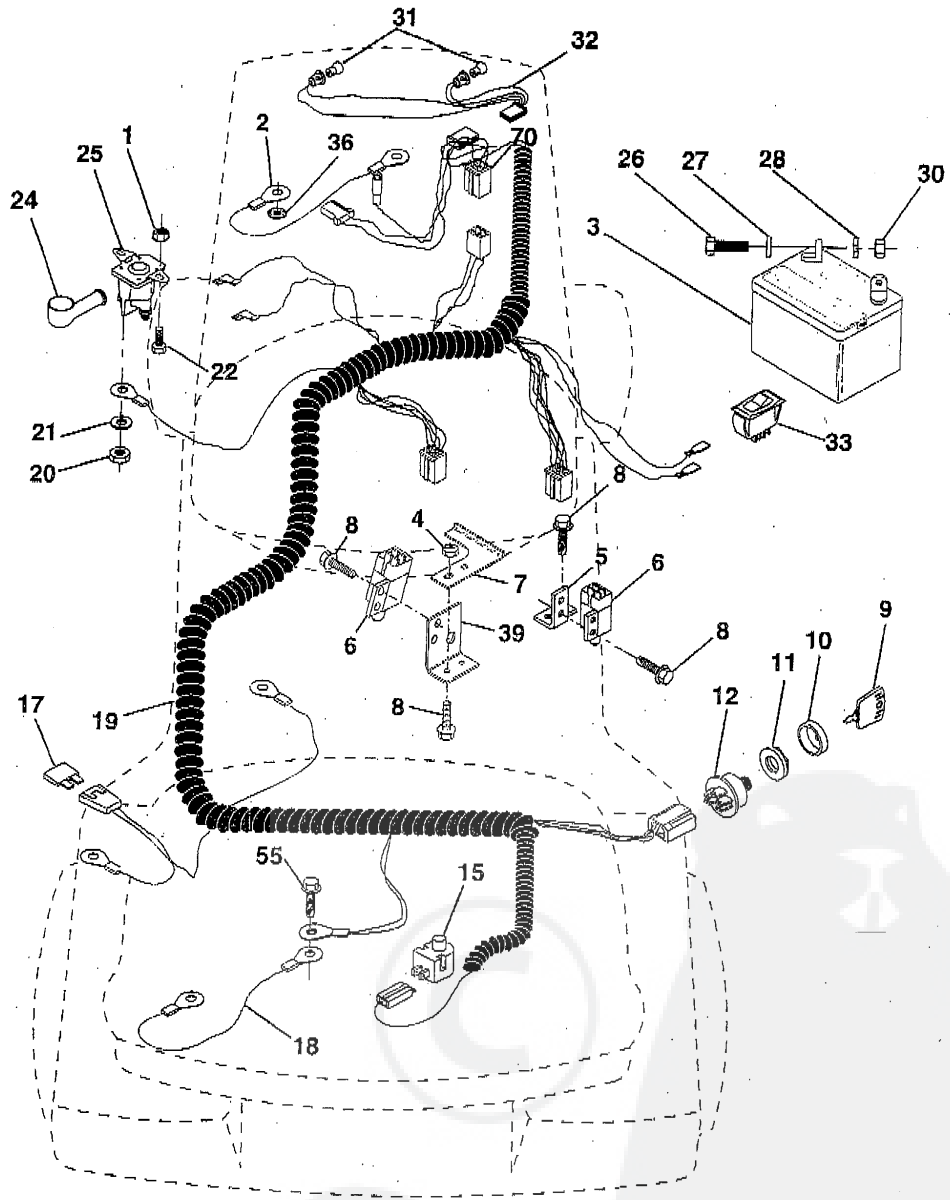


**REPAIR PARTS**

**TRACTOR - MODEL NUMBER RE12536B**

**ELECTRICAL**



**REPAIR PARTS****TRACTOR - MODEL NUMBER RE12536B****ELECTRICAL**

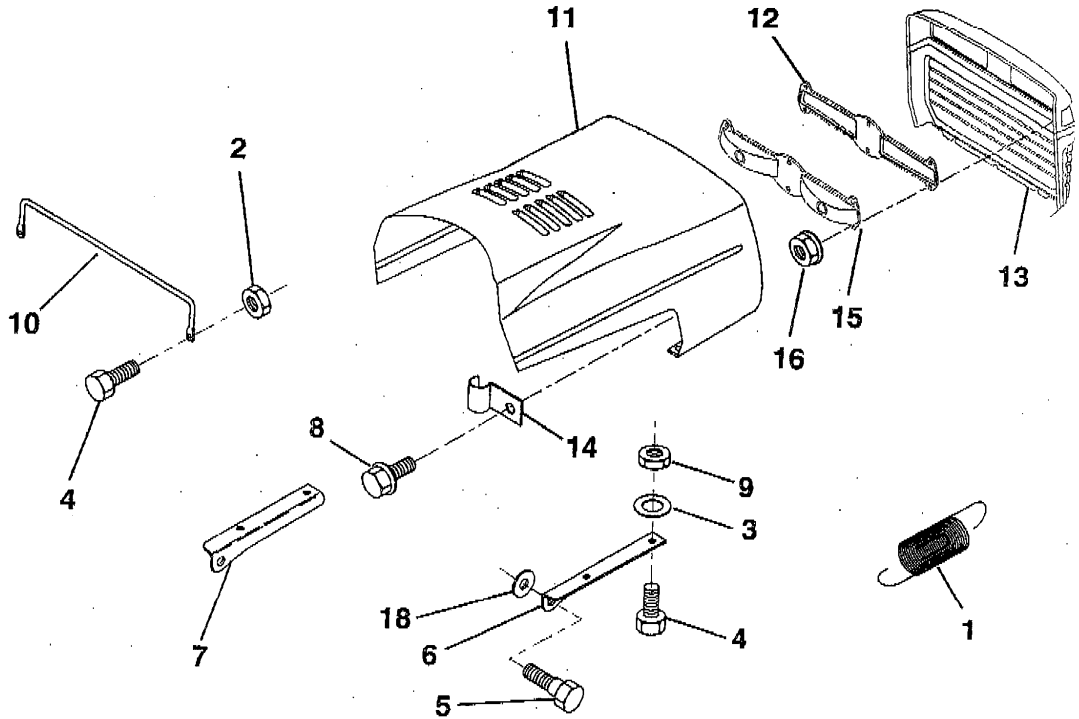
KEY NO.	PART NO.	DESCRIPTION
1	73640400	Nut, Hex Keps 1/4-20
2	108423X	Assembly, Cable
3	144924	Battery
4	69180	Nut, Lock #10-24 UNC
5	108236X	Bracket, Switch
6	109553X	Switch, Interlock (4-terminal)
7	146374	Keeper Actuator
8	17021008	Screw, Hex Hd. Tap #10-24 x 1/2
9	140401	Key, Steel Delta
10	141226	Cover, Key Ignition
11	140400	Nut, Ignition
12	163088	Switch, Ignition
15	121305X	Switch, Plunger
17	108824X	Fuse
18	128353	Assembly, Cable
19	146064	Harness, Ignition
20	73350400	Nut, Hex Jam 1/4-20
21	10090400	Washer, Lock 1/4
22	71110408	Bolt, Fin. Hex 1/4-20 UNC x 1/2 Gr. 5
24	131563	Cover, Terminal
25	145673	Solenoid
26	74760412	Bolt, Hex Hd. 1/4-20 UNC x 3/4
27	19091016	Washer 9/32 x 5/8 x 16
28	10040400	Washer, Lock 1/4
30	73220400	Nut, Fin. Hex 1/4-20 UNC
31	4152J	Bulb, Light
32	136850	Harness, Assm., Light
33	110712X	Switch, Light
36	11150400	Washer Lock Inter. Tooth 1/4
39	141735	Bracket Switch Clutch
55	17490508	Screw Thdrol 5/1-18 x 1/2
70	140413	Harness Engine

**NOTE:** All component dimensions given in U.S. inches.  
1 inch = 25.4 mm

**HARDWARE SHOWN LARGER FOR EASIER IDENTIFICATION**

# TRACTOR - MODEL NUMBER RE12536B

## HOOD

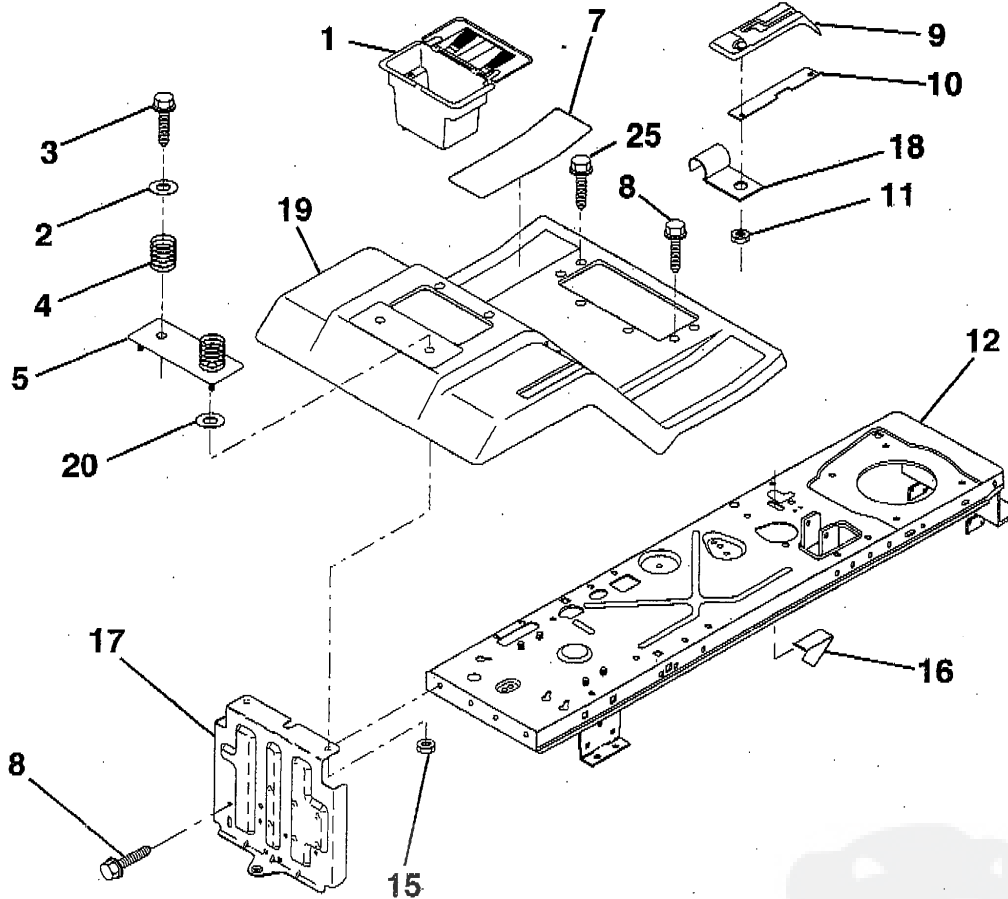


KEY NO.	PART NO.	DESCRIPTION
1	124657X	Extension, Spring
2	73510400	Nut, Hex, Keys 1/4-20
3	19091416	Washer, 9/32 x 7/8 x 16 Ga.
4	74780412	Bolt, Hex Fin 1/4-20 x 3/4 Gr. 5
5	139888	Bolt, Shoulder
6	122549X	Bracket, Hood R. H.
7	122548X	Bracket, Hood L.H.
8	17521312	Screw Sltd. Hex Hd W/PL Washer
9	73800400	Nut Lock W/Insert 1/4-20 UNC

KEY NO.	PART NO.	DESCRIPTION
10	123693X	Brace, Hood
11	132918X505	Hood
12	127178	Lens Clear Bar Dual LR P/L
13	134232X428	Grill
14	4171R	Clip, Insulated 11/32
15	127177X	Lightbox
16	124346X	Nut Self-Thd. Wsh-Hd 1/4
18	19111116	Washer 11/32 x 11/16 x 16.Ga.

**NOTE:** All component dimensions given in U.S. inches.  
1 inch = 25.4 mm

**HARDWARE SHOWN LARGER FOR EASIER IDENTIFICATION**

**REPAIR PARTS****TRACTOR - MODEL NUMBER RE12536B****FENDER / CHASSIS**

KEY NO.	PART NO.	DESCRIPTION
1	156417	Case, Battery
2	19132012	Washer 13/32 x 1-1/4 x 12 Gauge
3	17490612	Screw, Hex Washer Head, Thd. Roll. 3/8-16 x 3/4
4	124181X	Spring, Compression, Seat
5	127115X505	Plate, Battery
7	124144X	Pad, Footrest
8	17490512	Screw, Hex Washer Head, Thd. Roll. 5/16-18 x 3/4
9	126995X	Console, Shift Control
10	139783	Bar, Shift Lock

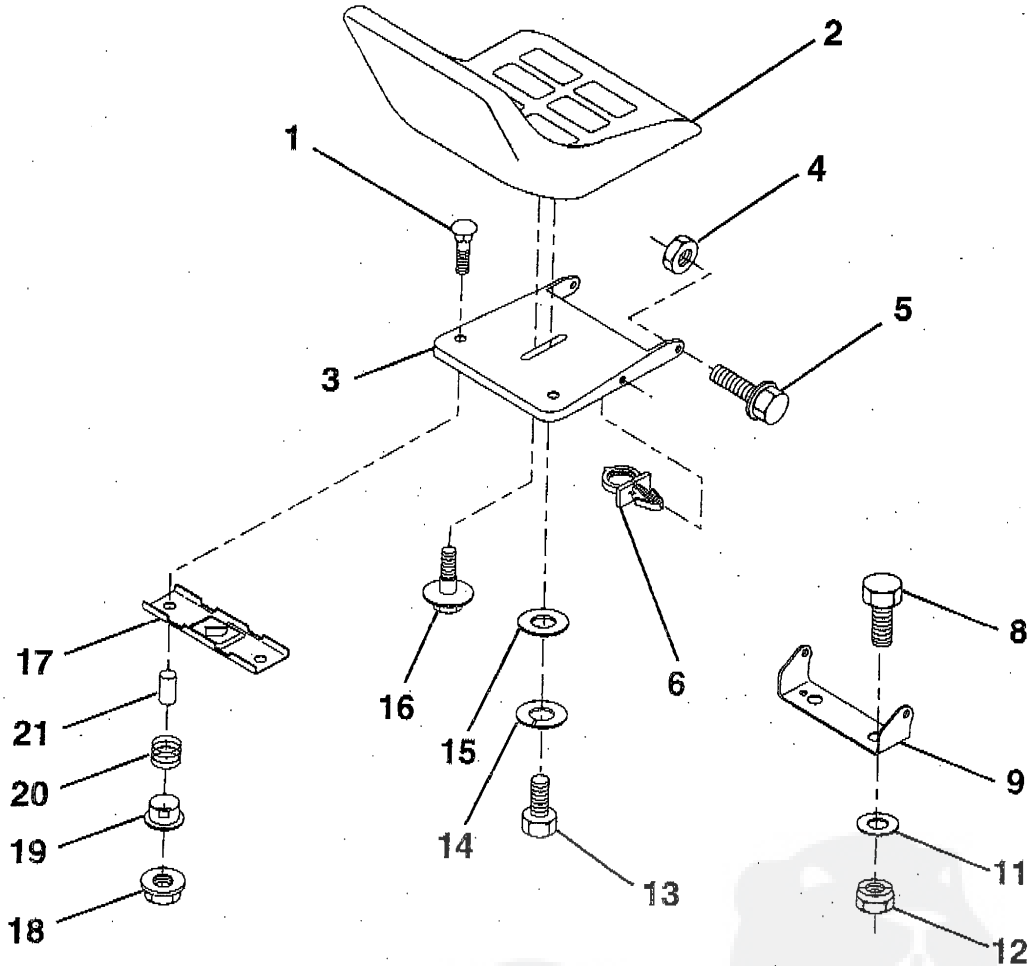
KEY NO.	PART NO.	DESCRIPTION
11	124346X	Nut, Self-Threading 3/16
12	145190	Assembly, Frame
15	73640400	Nut, Lock Hex W/Ins. 5/16-18
16	141736	Actuator, Switch
17	140782	Drawbar
18	126470X	Clip, Insulated
19	140955X505	Fender/Footrest
20	19091413	Washer 9/32 x 7/8 x 13 Gauge
25	17190516	Screw Hex Wsh Thdrol 5/16-18 x 1

**NOTE:** All component dimensions given in U.S. inches.  
1 inch = 25.4 mm

**HARDWARE SHOWN LARGER FOR EASIER IDENTIFICATION**

**TRACTOR - MODEL NUMBER RE12536B**

**SEAT**



KEY NO.	PART NO.	DESCRIPTION
1	72050412	Bolt, Carriage 1/4-20 x 1-1/2
2	127427	Seat
3	155925	Pan, Seat
4	73800500	Nut, Lock Hex W/Ins 5/16-18
5	153236	Bolt, Shoulder 5/16-18 UNC
6	145006	Clip, Push-In
8	74760616	Bolt, Hex, Fin 3/8-16 UNC x 1
9	140551	Bracket, Pivot, Seat
11	19133210	Washer 13/32 x 2 x 10 Gauge
12	73800600	Nut, Lock Hex W/Wsh 3/8-16
13	74780814	Bolt, Fin Hex 1/2 - 13 x 7/8 Gr. 5

KEY NO.	PART NO.	DESCRIPTION
14	10040800	Washer Lock Hvy HLCL Spr. 1/2
15	19171912	Washer 17/32 x 13/16 x 12 Gauge
16	127018X	Bolt, Shoulder
17	121246X	Bracket, Switch, Mounting
18	123976X	Locknut, Hex, Large, Flange
19	121246X	Bushing, Snap
20	121250X	Spring, Compression
21	134300	Spacer, Split, Large .28 Id. x .96

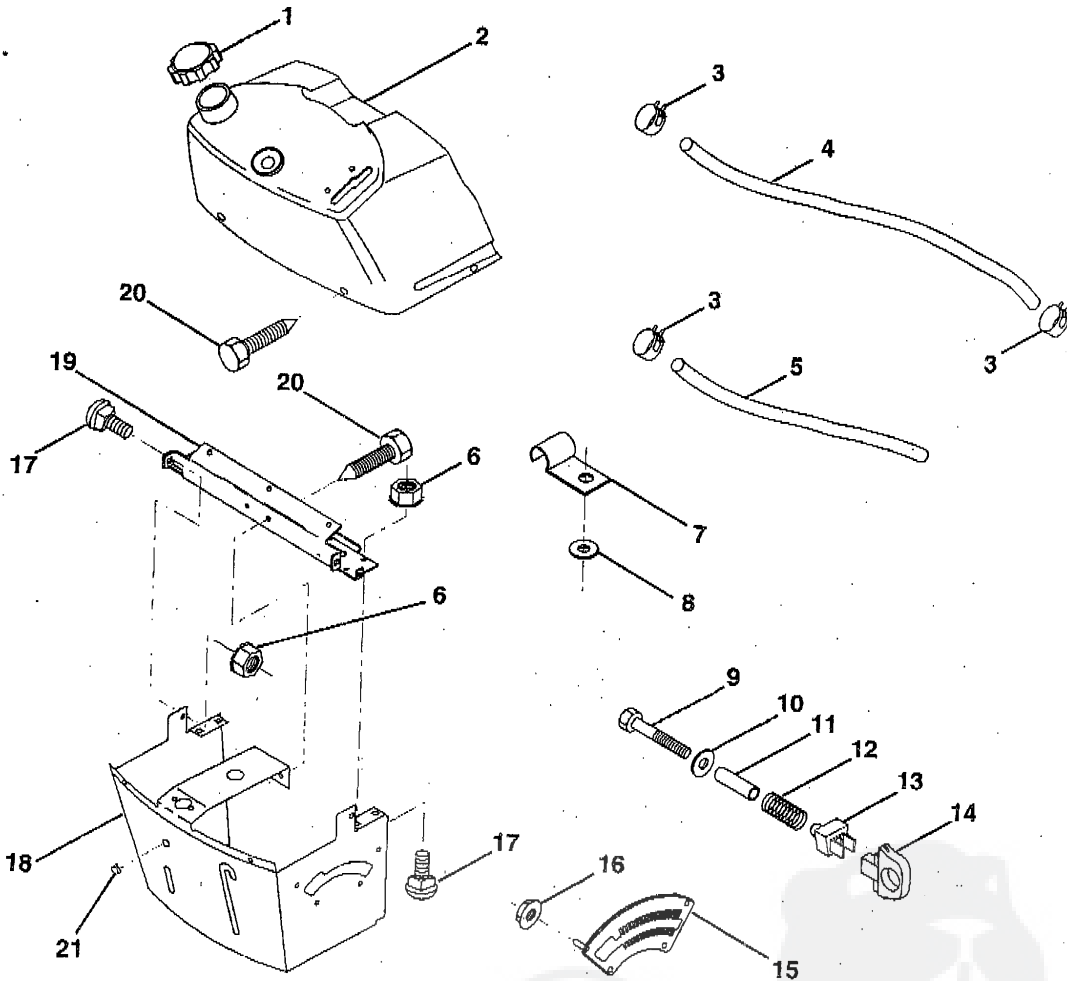
**NOTE:** All component dimensions given in U.S. inches  
1 inch = 25.4 mm

**HARDWARE SHOWN LARGER FOR EASIER IDENTIFICATION**

**TRACTOR PARTS**

**TRACTOR - MODEL NUMBER RE12536B**

**DASHBOARD**



KEY NO.	PART NO.	DESCRIPTION
1	141523	Cap, Fuel
2	138392	Assembly, Dash & Fuel Tank
3	123487X	Clamp, Hose
4	8544R	Line, Fuel
5	8548R	Line, Fuel
6	73640400	Nut, Hex, Keps 1/4-20
7	2751R	Clip, Fuel Line
8	19091216	Washer 9/32 x 3/4 x 16 Gauge
9	74760428	Bolt, Hex, Fin. 1/4-20 x 1-3/4
10	19091413	Washer 11/32 x 11/16 x 16 Gauge
11	121249X	Spacer, Split

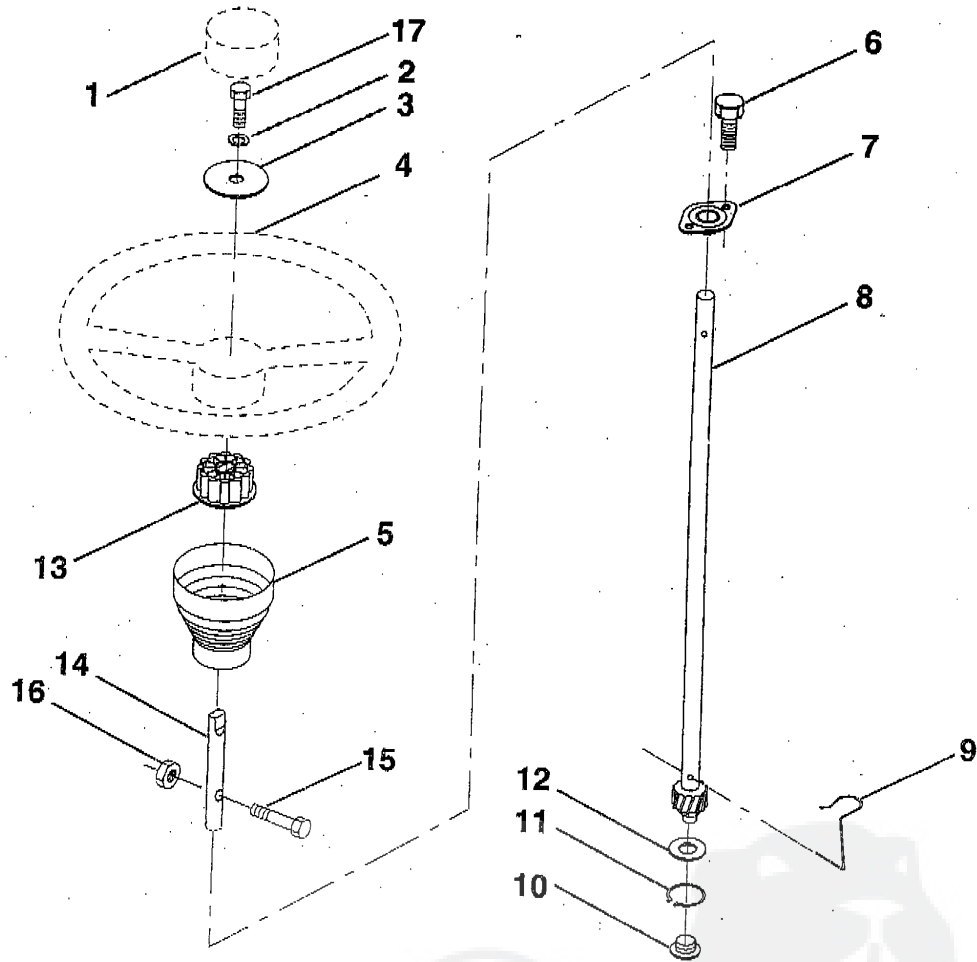
KEY NO.	PART NO.	DESCRIPTION
12	3720R	Spring
13	126450X	Clip, Height Adjustment
14	126115X	Knob, Height Stop
15	122023X	Adjustment, Quadrant Height
16	124346X	Nut, Self-Threading 3/16-18
17	72110404	Bolt, Carriage 1/4-20 x 1/2 Grade 5
18	130745	Support Assembly, Dash
19	134744	Brace, Cross
20	17060408	Screw, Self-Tapping 1/4-20 x 1/2
21	134014	Plug, Dome

**NOTE:** All component dimensions given in U.S. inches.  
1 inch = 25.4 mm

**HARDWARE SHOWN LARGER FOR EASIER IDENTIFICATION**

### TRACTOR - MODEL NUMBER RE12536B

#### STEERING WHEEL



KEY NO.	PART NO.	DESCRIPTION
1	133742	Insert, Steering Wheel
2	10040600	Washer Lock Hvy Hcl
3	19133808	Washer 13/32 x 2-3/8 x 8 Ga.
4	133741	Wheel, Steering
5	121897X	Sleeve, Steering
6	152927	Screw, TT #10-32 5 3/8 Flange
7	155104	Bushing, Steering
8	147391	Shaft, Steering
9	124210X	Clip, Steering
10	123438X	Bushing, Lower, Steering

KEY NO.	PART NO.	DESCRIPTION
11	12000045	Ring, Retaining
12	19211616	Washer 21/32 x 1 x 16 Ga.
13	100711L	Adaptor, Steering Wheel
14	153720	Extension, Shaft, Steering
15	74780520	Bolt, Fin, Hex 5/16-18unc x 1-1/4
16	73800500	Nut, Lock Hex W/Ins 5/16-18 UNC
17	74780616	Bolt, Fin Hex 3/8-16 UNC x 1

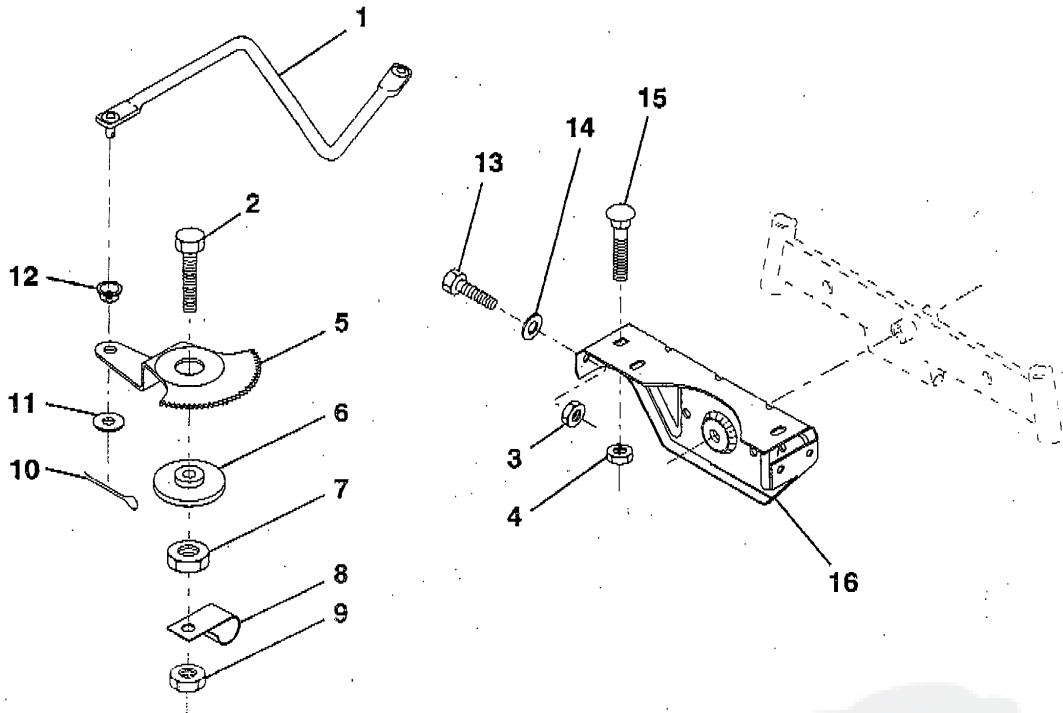
**NOTE:** All component dimensions given in U.S. inches  
1 inch = 25.4 mm

**HARDWARE SHOWN LARGER FOR EASIER IDENTIFICATION**

**REPAIR PARTS**

**TRACTOR - MODEL NUMBER RE12536B**

**SECTOR GEAR / AXLE SUPPORT**



KEY NO.	PART NO.	DESCRIPTION
1	132566	Link, Drag
2	74780828	Bolt, Hex, Fin 1/2-13 x 1-3/4
3	73680500	Nut, Hex, Crownlock 5/16-18
4	73680600	Nut, Hex, Crownlock 3/8-16
5	121926X	Gear, Sector
6	121927X	Bushing
7	73030800	Nut, Heavy, Hex, Top Lock 1/2-13 UNC
8	126472X	Clip, Wire

KEY NO.	PART NO.	DESCRIPTION
9	73680800	Nut, Crownlock 1/2-13
10	76020412	Pin, Cotter 1/8 x 3/4
11	19131316	Washer 13/32 x 13/16 x 16 Ga.
12	126847X	Bushing
13	74760512	Bolt, Hex 5/16-18 x 3/4
14	19111416	Washer 11/32 x 7/8 x 16 Ga.
15	72110606	Bolt, Carriage 3/8-16 UNC x 3/4
16	137096	Support, Front Axle

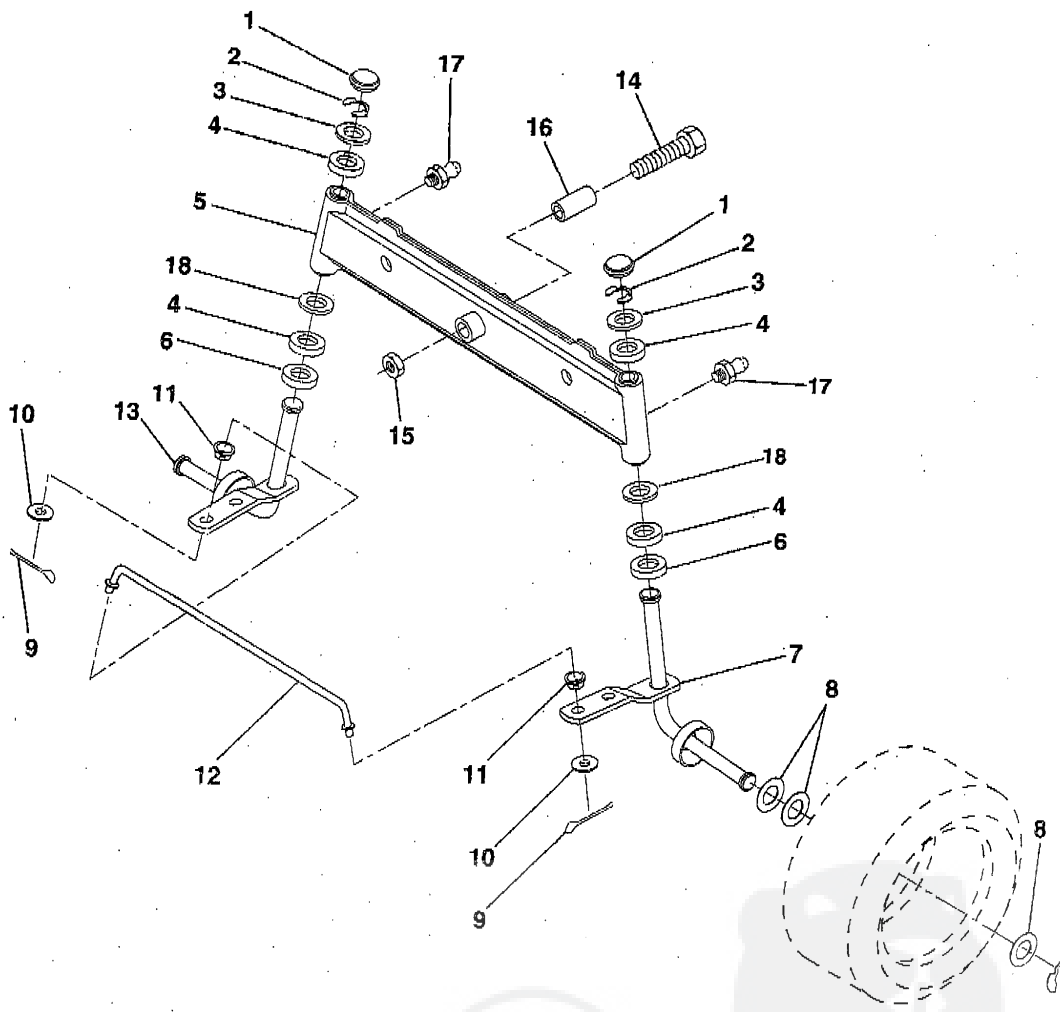
**NOTE:** All component dimensions given in U.S. inches  
1 inch = 25.4 mm

**HARDWARE SHOWN LARGER FOR EASIER IDENTIFICATION**



**TRACTOR - MODEL NUMBER RE12536B**

**FRONT AXLE**



KEY NO.	PART NO.	DESCRIPTION
1	121232X	Cap, Spindle
2	12000029	Ring, Klip
3	121748X	Washer 25/32 x 1-5/8 x 16 Gauge
4	3366R	Bearing
5	142033	Axle, Front
6	6266H	Bearing, Thrust
7	161826	Spindle Assembly, R.H.
8	121749X	Washer 25/32 x 1-1/4 x 16 Gauge
9	76020412	Pin, Cotter 1/8 x 3/4
10	19131316	Washer 13/32 x 13/16 x 16 Gauge

KEY NO.	PART NO.	DESCRIPTION
11	126847X	Bushing
12	130465	Rod, Tie
13	161827	Spindle Assembly, L.H.
14	74011056	Bolt-Hex 5/8-11 x 3-1/2
15	73901000	Nut, Lock Flange 5/8-11
16	110438X	Spacer, Bearing Axle
17	6855M	Fitting Grease
18	19272016	Washer 27/32 x 1-1/4 x 16 Ga.

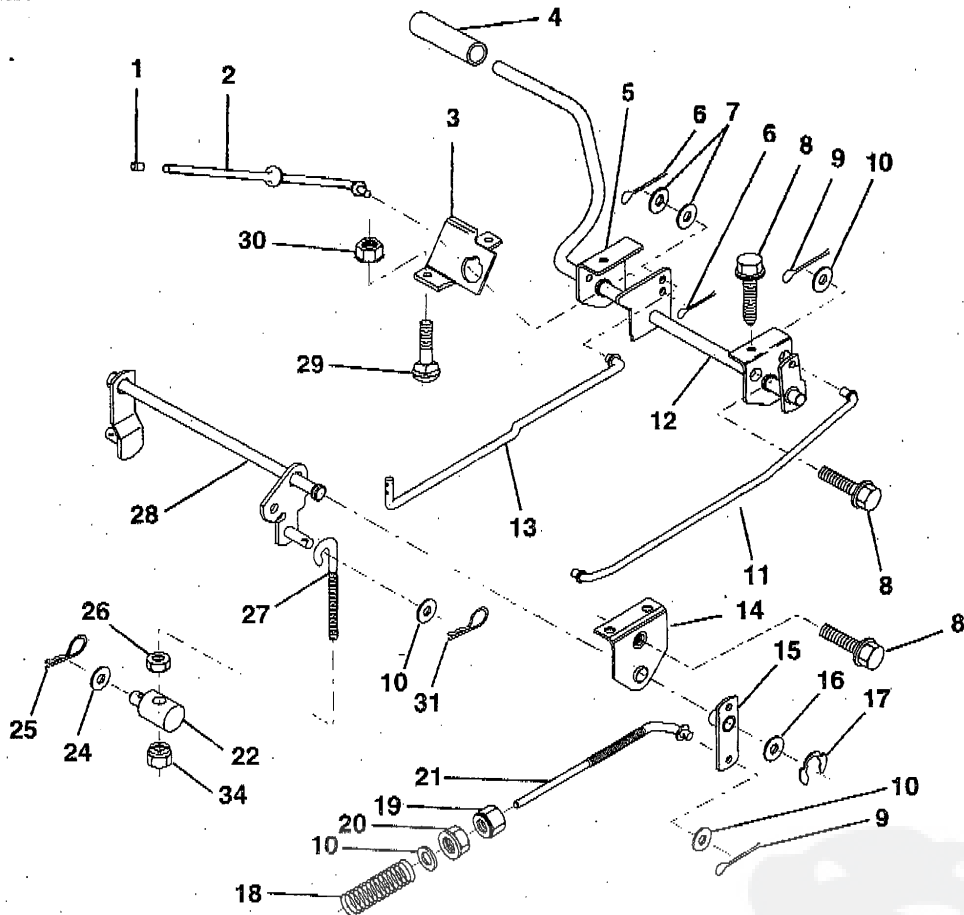
**NOTE:** All component dimensions given in U.S. inches  
1 inch = 25.4 mm

**HARDWARE SHOWN LARGER FOR EASIER IDENTIFICATION**

# REPAIR PARTS

## TRACTOR - MODEL NUMBER RE12536B

### BRAKE / REAR MOWER LIFT ASSEMBLY



KEY NO.	PART NO.	DESCRIPTION
1	71673	Cap, Parking Brake
2	123436X	Rod, Parking Brake
3	123437X	Bracket, Parking Brake
4	8883R	Cover, Pedal
5	122504X	Bracket, Pedal, Clutch LH
6	76020312	Pin, Cotter 3/32 x 3/4
7	19131016	Washer 13/32 x 5/8 x 16 Gauge
8	17490508	Screw, Hex, Thd. Roll. 5/16-18 x 1/2
9	76020412	Pin, Cotter 1/8 x 3/4
10	19131316	Washer 13/32 x 13/16 x 16 Gauge
11	123543X	Rod, Front Brake
12	139933	Assembly, Clutch/Brake Pedal
13	123394X	Rod, Clutch
14	121978X	Bracket, Lift, Shaft
15	133332	Assembly, Brake, Pivot, Arm
16	19251816	Washer 25/32 x 1-1/8 x 16 Gauge

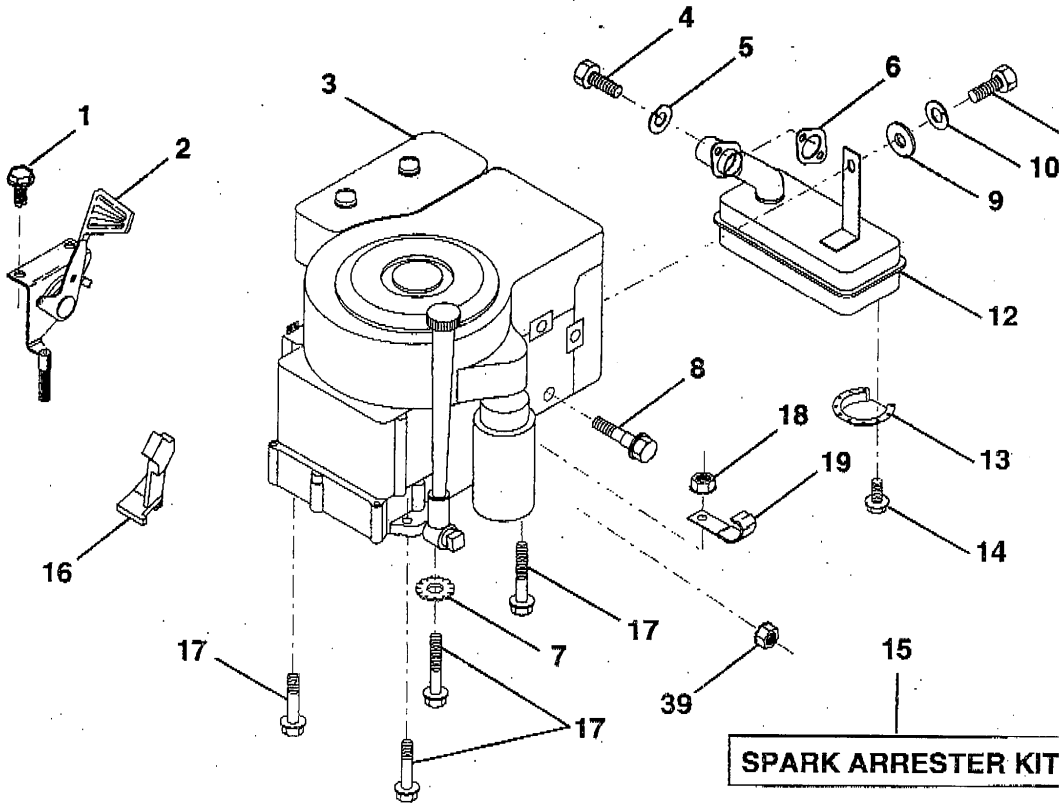
KEY NO.	PART NO.	DESCRIPTION
17	12000034	Ring, Klip
18	151332	Spring, Brake Rod
19	73350600	Nut, Hex, Jam 3/8-16 UNC
20	73800600	Nut, Lock, Hex W/Ins 3/8-16 UNC
21	131460	Rod, Rear Brake
22	144585	Trunnion, Lift
24	19132012	Washer 13/32 x 1-1/4 x 12 Gauge
25	4921H	Spring, Retainer
26	73930600	Nut, Centerlock 3/8-16 UNC
27	127369	Link, Threaded
28	140776	Assembly, Rear Mower Lift
29	72110506	Bolt, Carriage 5/16-18 UNC x 3/4
30	73510500	Nut, Keps 5/16-18 UNC
31	3146R	Retainer, Spring
34	73680600	Nut, Lock Hex W/Wsh 3/8-16

**NOTE:** All component dimensions given in U.S. inches  
1 inch = 25.4 mm

**HARDWARE SHOWN LARGER FOR EASIER IDENTIFICATION**

**TRACTOR - MODEL NUMBER RE12536B**

**ENGINE / THROTTLE**



KEY NO.	PART NO.	DESCRIPTION
1	17060408	Screw, Hex, Thread Cutting 1/4-20 x 1/2
2	133025	Control, Throttle
3	-----	Engine, B&S, #289707
4	71070512	Screw, Hex Hd
5	10040500	Washer, Lock, Heavy Helical Spring 5/16
6	272293	Gasket, Exhaust
7	11050600	Washer Lock Ext. Tooth 3/8
8	121094X	Bolt, Shoulder 5/16 UNC
9	19101216	Washer 5/16 x 3/4 x 16 Gauge
10	10040400	Washer, Lock, Heavy Helical Spring 1/4
11	---	Bolt, Hex Head, Fin. (Order from Engine Manufacturer)

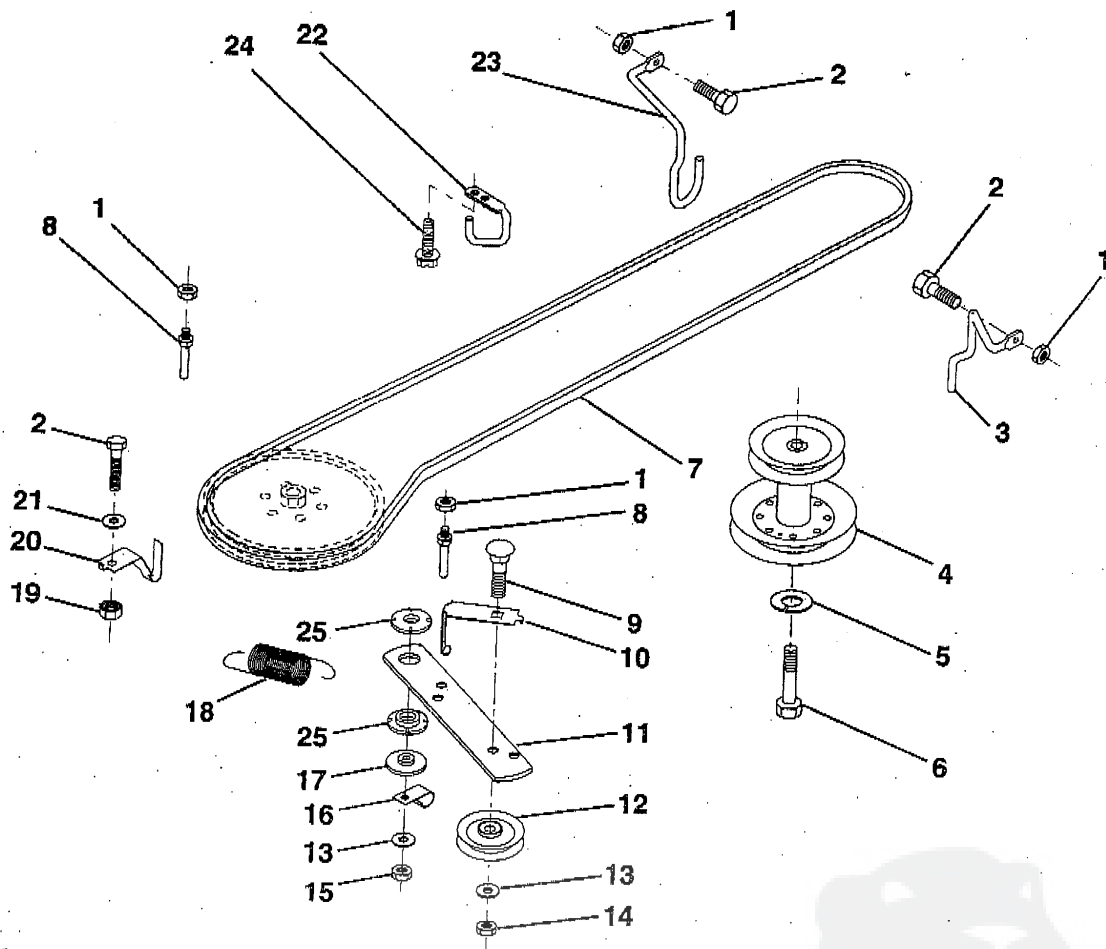
KEY NO.	PART NO.	DESCRIPTION
12	137437	Muffler
13	101326L	Deflector, Muffler
14	17030808	Screw, Hex Head, Spiderlock #8 x 1/2
15	137180	Kit, Spark Arrester (Optional)
16	127951	Stop, Choke
17	17490624	Screw, Hex Washer Head, Thd. Roll. 3/8-16 x 1-1/2
39	128861	Nut, Flange 1/4-20

**NOTE:** All component dimensions given in U.S. inc  
1 inch = 25.4 mm

**HARDWARE SHOWN LARGER FOR EASIER IDENTIFICATION**

### TRACTOR - MODEL NUMBER RE12536B

#### GROUND DRIVE



KEY NO.	PART NO.
1	73680500
2	74760512
3	141342
4	138029
5	10040700
6	71170744
7	126520X
8	123405X
9	72140612
10	123396X
11	150926
12	123674X
13	19131316

DESCRIPTION
Nut, Lock Hex W/Ins 5/16-18
Bolt, Hex 5/16-18 UNC x 3/4
Keeper, Mower Drive Belt, Engine, R.H.
Pulley, Engine
Washer, Lock, Heavy Helical Spring 7/16
Bolt, Hex, 7/16-20 x 2-3/4 Grade 5
Traction, V-Belt Drive
Keeper, T/A Ground Drive Belt
Bolt, Carriage 3/8-16 UNC x 1-1/2
Keeper, Ground Drive Belt, Idler
Arm, Ground Drive Clutch
Idler, Flat
Washer 13/32 x 13/16 x 16 Gauge

KEY NO.	PART NO.
14	73930600
15	73680600
16	126471X
17	150932
18	131459
19	73510500
20	139919
21	19111016
22	123404X
23	140916
24	17720408
25	150935

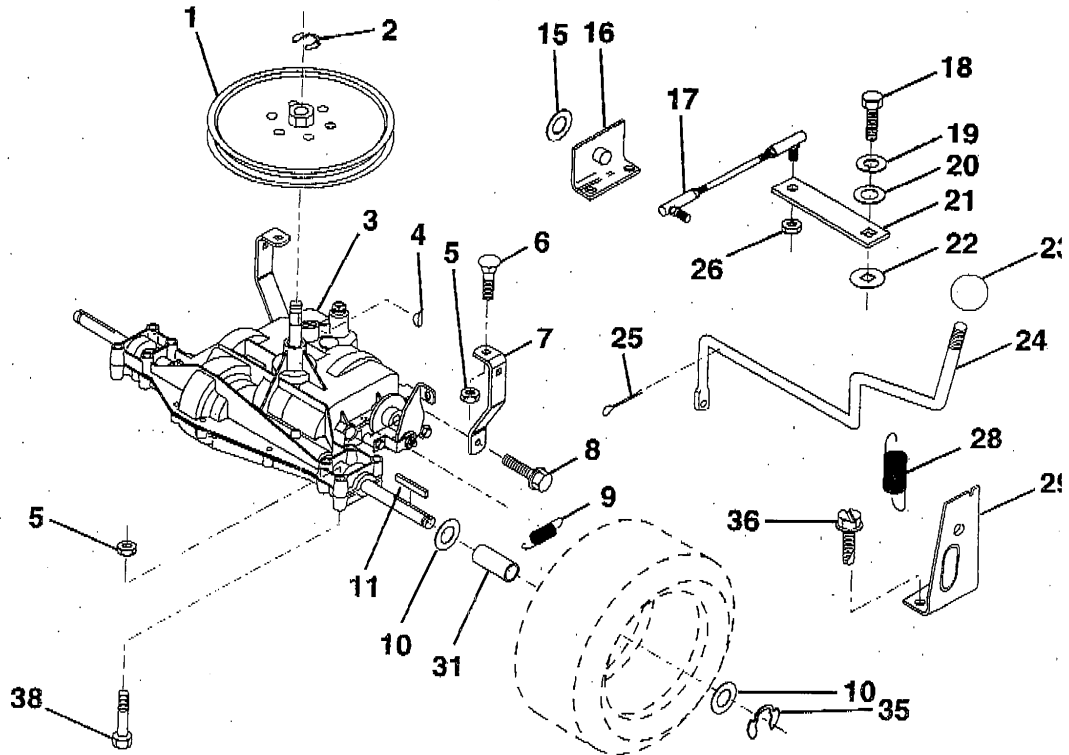
DESCRIPTION
Nut, Centerlock 3/8-16 UNC
Nut, Lock Hex w/Wsh 3/8-16
Clip, Insulated
Spacer, Retainer
Spring, Extension
Nut, Keps 5/16-18 UNC
Keeper, T/A Ground Drive Belt
Washer 11/32 x 5/8 x 16 Gauge
Keeper, Ground Drive Belt, Frame
Keeper, Mower Drive Belt, L.H.
Screw, Thread Cutting 1/4-20 x 1/2
Bushing, Nylon

NOTE: All component dimensions given in U.S. inches  
1 inch = 25.4 mm

HARDWARE SHOWN LARGER FOR EASIER IDENTIFICATION

**TRACTOR - MODEL NUMBER RE12536B**

**TRANSAXLE**



KEY NO.	PART NO.	DESCRIPTION
1	123385X	Pulley
2	12000028	Ring, Retainer
3	-----	Transaxle (See Breakdown)
4	2228M	Key, Woodruff #9
5	73680500	Nut, Lock Hex 5/16-18
6	72140506	Bolt, Carriage 5/16-18 UNC x 3/4
7	123378X	Strap, Torque
8	17490512	Screw 5/16-18 x 3/4
9	146682	Spring, Brake
10	121749X	Washer 25/32 x 1-1/4 x 16 Gauge
11	123583X	Key, Square
15	19171616	Washer 17/32 x 16 Ga.
16	124600X	Support, Handle Shift
17	126293X	Link, Shift
18	74550412	Bolt, Hex, Fin 1/4-28 UNF x 3/4 Gr. 8
19	10040400	Washer, Lock 1/4

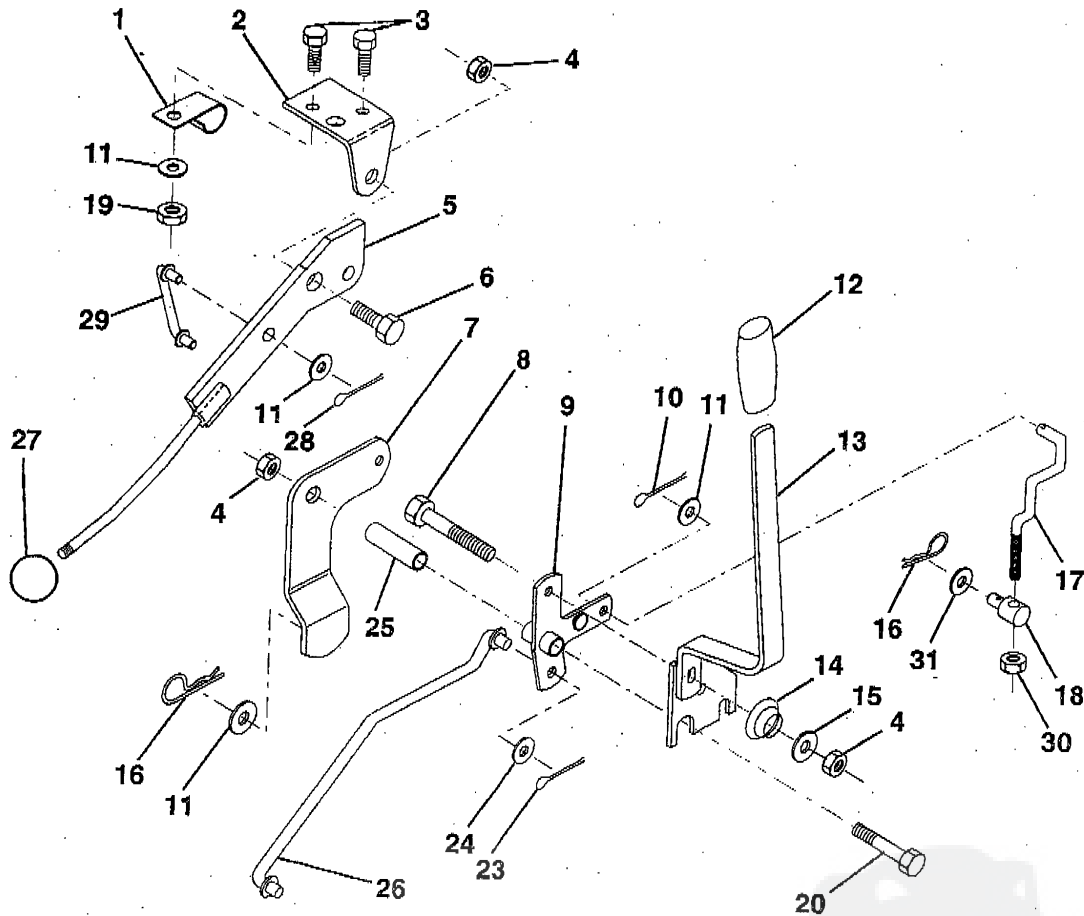
KEY NO.	PART NO.	DESCRIPTION
20	19091210	Washer 9/32 x 3/4 x 10 Gauge
21	126292X	Arm, Shift
22	105701X	Washer, Shift Plate
23	106933X	Knob, Deluxe
24	128215	Rod, Shift
25	76020416	Pin, Cotter 1/8 x 1
26	73810500	Nut, Hex, Nylon 5/16-24 UNF
28	128085	Spring, Extension
29	128084	Support, Handle, Shift, R.H.
31	137057	Spacer, Split
35	12000001	E-Ring
36	17720408	Screw, Thdcut. 1/4-20 x 1/2
38	74490540	Bolt, Hex, Flgnd 5/16-18

**NOTE:** All component dimensions given in U.S. inch  
1 inch = 25.4 mm

**HARDWARE SHOWN LARGER FOR EASIER IDENTIFICATION**

### TRACTOR - MODEL NUMBER RE12536B

#### MOWER LIFT LEVER



KEY NO.	PART NO.	DESCRIPTION
1	126470X	Clip, Insulated
2	122018X	Bracket, Mower Clutch
3	71110408	Bolt, Hex, Fin 1/4-20 UNC x 1/2 Grade 5
4	73680600	Nut, lock Hex W/Wsh 3/8-16
5	145187	Assembly, Clutch Lever
6	106451X	Bolt, Shoulder
7	135371	Assembly, Mower Clutch Arm
8	74760636	Bolt, Hex 3/8-16 UNC x 2-1/4
9	121930X	Assembly, Bellcrank, Lift
10	76020412	Pin, Cotter 1/8 x 3/4
11	19131316	Washer 13/32 x 13/16 x 16 Gauge
12	122027X	Sleeve, Handle
13	139352	Assembly, Lift Handle
14	123496X	Spring, Compression
15	19131212	Washer 13/32 x 3/4 x 12 Gauge

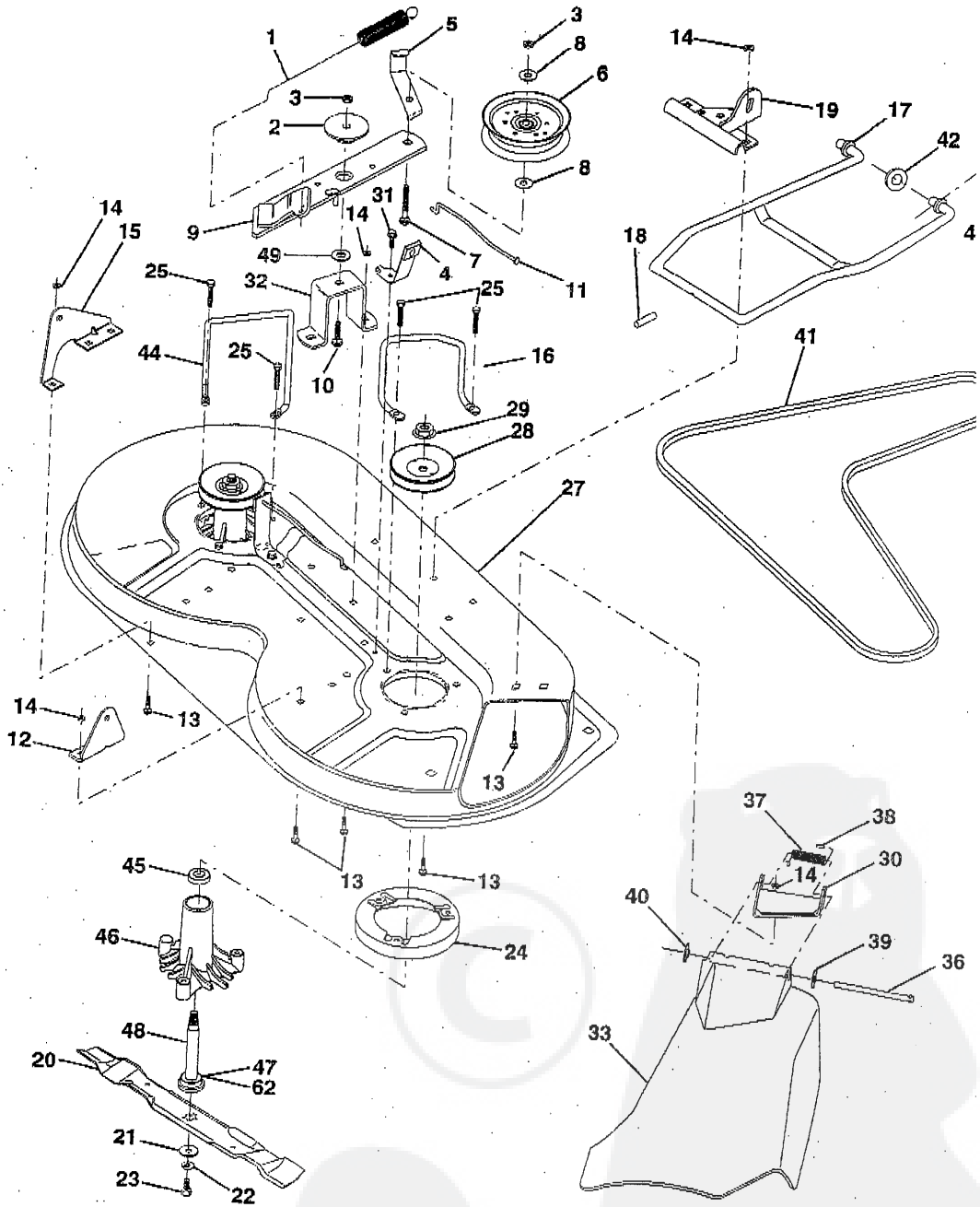
KEY NO.	PART NO.	DESCRIPTION
16	4921H	Retainer, Spring
17	127359	Link, Front Lift
18	142028	Trunnion, Threaded 3/8-16
19	73680400	Nut, Keps 1/4-20
20	74760644	Bolt, Hex, Fin. 3/8-16 UNC x 2-3/4
23	76020416	Pin, Cotter 1/8 x 1
24	19171612	Washer 17/32 x 1 x 12 Gauge
25	121933X	Tube, Spacer
26	141470	Rod, Mower Lift
27	106932X	Knob, Rd
28	76020312	Pin, Cotter 3/32 x 3/4
29	131655	Link, Mower Clutch
30	73350600	Nut, Hex Jam 3/8-16
31	19132012	Washer 13/32 X 1-1/4 X 12 Gauge

NOTE: All component dimensions given in U.S. inches  
1 inch = 25.4 mm

HARDWARE SHOWN LARGER FOR EASIER IDENTIFICATION

# TRACTOR - MODEL NUMBER RE12536B

## MOWER DECK



**TRACTOR - MODEL NUMBER RE12536B**

**MOWER DECK**

KEY NO.	PART NO.	DESCRIPTION
1	140064	Spring, Mower Clutch
2	122052X	Spacer, Retainer
3	73680600	Nut, Lock Hex W/Wsh 3/8-16
4	130840	Assembly, Brake
5	131251	Guide, Belt Idler
6	121316X	Idler, Flat
7	72110616	Bolt, Carriage 3/8-16 x 2 Grade 5
8	19131410	Washer 13/32 x 7/8 x 10 Gauge
9	127744	Assembly, Mower Idler Arm
10	72140610	Bolt, Carriage 3/8-16 UNC x 1-1/4
11	130841	Rod, Brake
12	127356	Bracket, Rear Lift, R.H.
13	72140506	Bolt, Carriage 5/16-18 UNC x 3/4
14	73680500	Nut, Lock Hex W/Ins. 5/16-18
15	127357	Bracket, Rear Lift, L.H.
16	153298	Keeper, R.H.
17	128508	Stabilizer, Mower Link
18	128511	Pin, Drive
19	127380	Bracket, Stabilizer Link
20	138496	Blade
21	140296	Washer, Hard
22	10030600	Washer, Lock, Heavy 3/8
23	850857	Bolt 3/8-24 x 1-1/4 Grade 8
24	140329	Stripper
25	157722	Screw, Thdrol Washer Head
27	156600	Housing, Mower
28	153531	Pulley, Mandrel
29	137266	Nut, Flangelock 9/16
30	136631	Bracket, Deflector
31	17490508	Screw, Hex Washer Head, Thd. Roll. 5/16-18 x 1/2
32	122051X	Arm, Support Idler, Mower
33	131560	Shield, Deflector
36	121980X	Rod, Hinge
37	123713X	Spring, Torsion Deflector
38	105304X	Cap, Sleeve
39	19111016	Washer 11/32 x 5/8 x 16 Gauge
40	110452X	Nut, Push
41	131264	V-Belt
42	19171616	Washer 11/32 x 5/8 x 16 Gauge
43	3146R	Clip, Hairpin
44	140608	Keeper, L.H.
45	110485X	Bearing
46	128774	Housing, Mandrel, Vented
47	129895	Bearing
48	137645	Shaft, Mandrel (Includes Key Number 47)
49	133943	Washer, Hardened
62	153390	Washer, Felt
--	130794	Mandrel Assembly (Includes Key Numbers 21-23, 26, 29 and 45-48)
--	156866	Deck, Mower Complete

**NOTE:** All component dimensions given in U.S. inches  
 1 inch = 25.4 mm

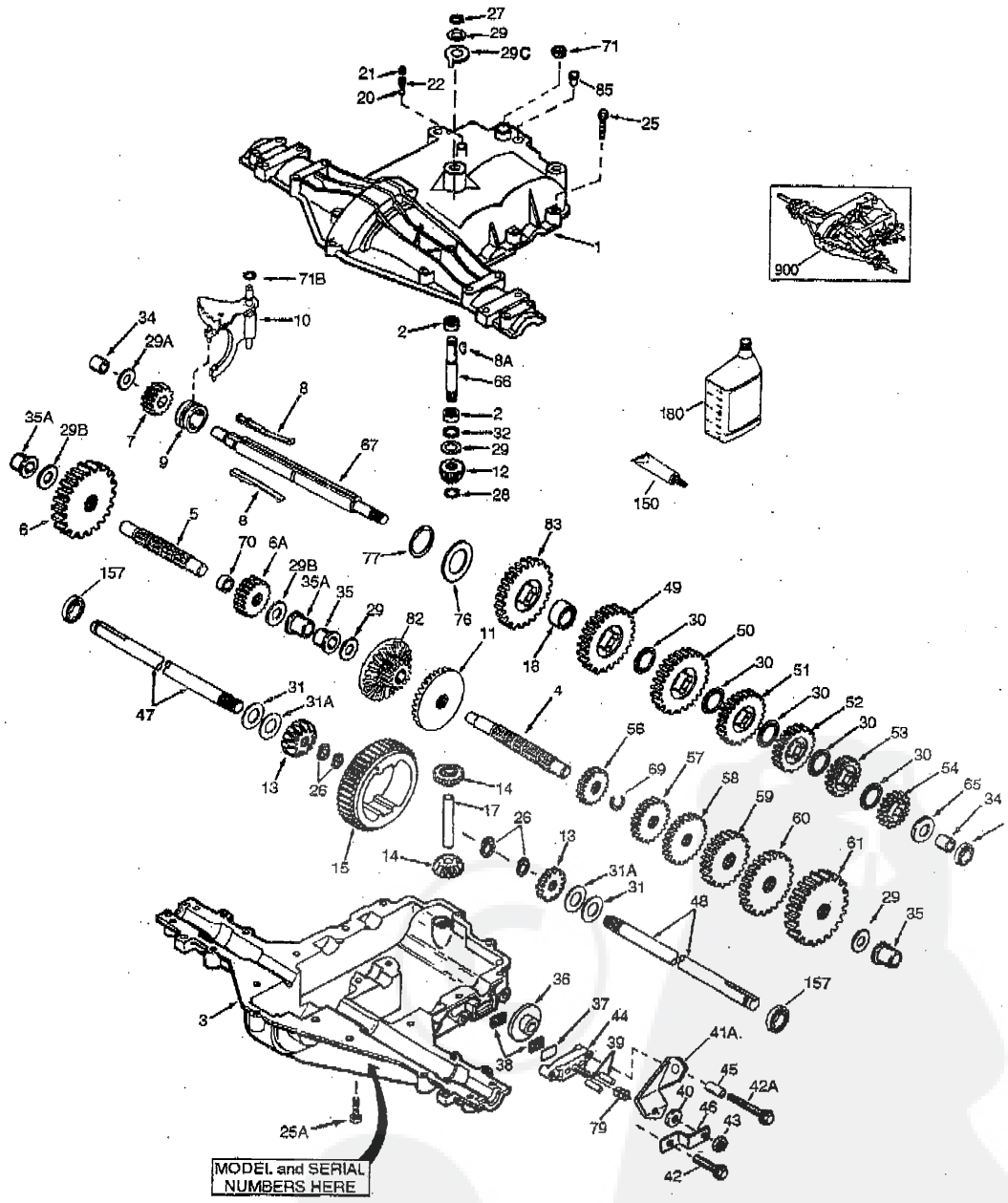
**HARDWARE SHOWN LARGER FOR EASIER IDENTIFICATION**



# REPAIR PARTS

## TRACTOR - MODEL NUMBER RE12536B

### PEERLESS TRANSAXLE - MODEL NUMBER 206-508B



**REPAIR PARTS****TRACTOR - MODEL NUMBER RE12536B****PEERLESS TRANSAXLE - MODEL NUMBER 206-508B**

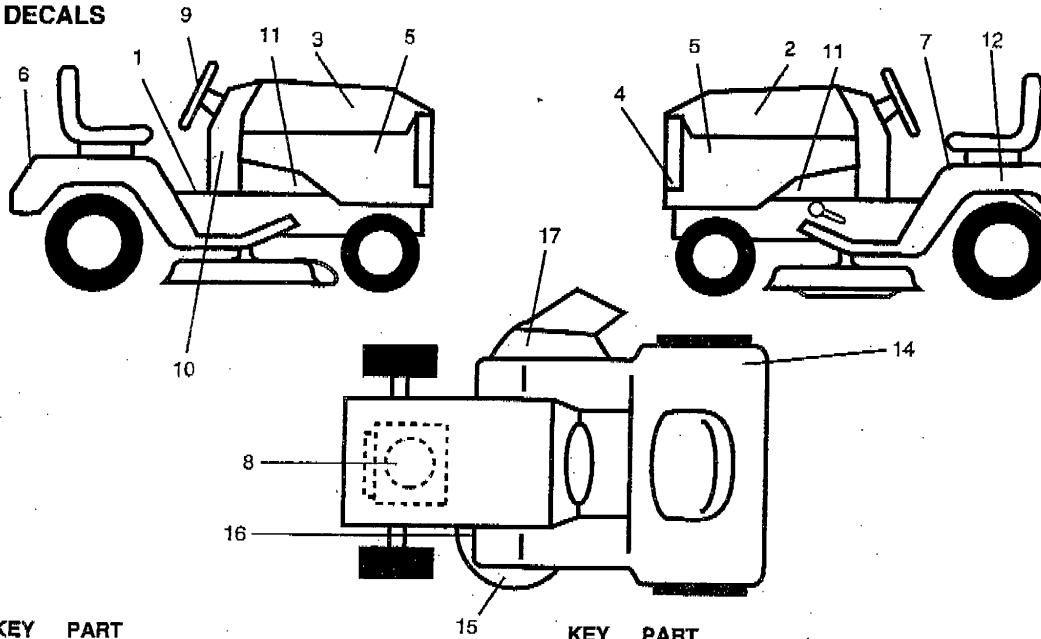
REF PART NO. NO.	DESCRIPTION	REF PART NO. NO.	DESCRIPTION		
1	772147	41A	790079	Transaxle Cover	Brake Lever
2	780086A	42	792073A	Needle Bearing 5/8"	Screw 1/4-20 x 1-1/4"
3	770128	42A	792085A	Transaxle Case	Screw 1/4-20 x 2-1/4"
4	776395	43	792075	Countershaft	Locknut 5/16-24
5	776409	44	790025	Output Shaft	Brake Pad Holder
6	778364	45	786066	Spur Gear (38 teeth)	Spacer
6A	778389	46	786086	Spur Gear (15 teeth)	Brake Lever Bracket
7	778330	47	774690	Spur Gear (11 teeth)	Axle (11-15/16" long)
8	792180	48	774691	Shift Key	Axle (16-1/2" long)
8A	792047	49	778356	Woodruff Key #9	Spur Gear (29 teeth)
9	784352	50	778338	Shift Collar	Spur Gear (27 teeth)
10	784378	51	778354	Shift Rod & Fork	Spur Gear (23 teeth)
11	778334	52	778352	Bevel Gear (30 teeth)	Spur Gear (19 teeth)
12	778309	53	778350	Input Bevel Pinion (13 teeth)	Spur Gear (16 teeth)
13	778368	54	778346	Bevel Gear (13 teeth) (Incl. 14)	Spur Gear (15 teeth)
14	778367	56	778355	Bevel Pinion (13 teeth) (Incl. 13)	Spur Gear (11 teeth)
15	778370	57	778337	Ring Gear (43 teeth)	Spur Gear (13 teeth)
17	786188	58	778353	Drive Pin	Spur Gear (17 teeth)
18	786102	59	778351	Spacer	Spur Gear (21 teeth)
20	792077	60	778349	Ball 5/16" dia	Spur Gear (24 teeth)
21	792078	61	778345	Set Screw 3/8-16 x 3/8"	Spur Gear (25 teeth)
22	792079	65	780189	Spring	Washer
25	792073A	66	776422	Screw 1/4-20 x 1-1/4"	Input Shaft
25A	792177	67	776396	Screw 1/4-20 X 1-3/8"	Shifter & Brake Shaft
26	792125	69	792170	Retaining Ring (pkg of 2)	Retaining Ring
27	792035	70	786187	Retaining Ring	Spacer .890
28	788040	71	788069	Retaining Ring	Square Cut Ring
29	780072	71B	788092	Washer	"O" Ring
29A	780160	76	780090	Washer	Washer
29B	780051	77	788078A	Thrust Washer (.762 ID)	Inverted Retaining Ring
29C	780199	79	792144	Anti-Rotation Washer	Spring
30	780108	82	778333	Washer	Bevel & Spur Gear (30 & 13 teeth)
31	780001	83	778338	Washer (.056 wide) (USE AS NEEDED)	Spur Gear (27 teeth)
31A	780195	85	792154	Flat Washer (.062 wide)	Oil Fill Plug
32	788083	87	788089	Oil Seal 5/8"	Oil Seal 9/16"
34	780194	150	788093A	Bushing	Liquid Gasket RTV Silicone
35	780193	157	788088	Flanged Bushing	Oil Seal 3/4"
35A	780197	180	730229A	Flanged Bushing 3/4"	Gear Oil 80W90
36	790075	900	---	Brake Disk	Replacement 206-508B Transaxle
37	790007			Brake Pad Plate	
38	799021			Brake Pad (pkg of 2)	
39	786026			Dowel Pin	
40	792076A			Flat Washer	

Parts must be ordered from Tecumseh Products Co.

NOTE: All component dimensions given in U.S. inches  
1 inch = 25.4 mm

### TRACTOR - MODEL NUMBER RE12536B

#### DECALS

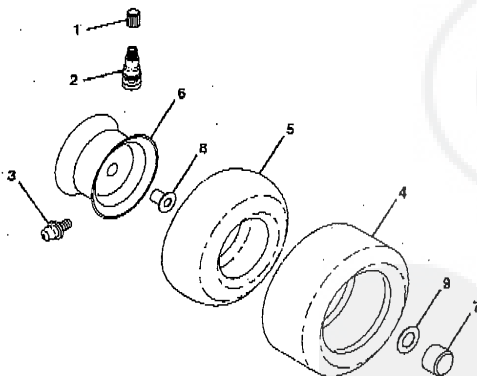


KEY NO.	PART NO.	DESCRIPTION
1	159739	Decal, Op. Instruction, Symbol (French/German/English/Dutch)
2	141744	Decal, Stripe, Hood, L.H.
3	141743	Decal, Stripe, Hood, R.H.
4	132627	Decal, Grill
5	137703	Decal, Insert Hood
6	132628	Decal, Fender
7	145498	Decal, Read, Symbol
8	272632	Decal, Engine
9	127075	Decal, Wheel, Steering
10	145437	Decal, Europe, Stand. Ce.
11	159736	Decal, Chassis Hot Muffler

KEY NO.	PART NO.	DESCRIPTION
12	145005	Decal, Caution, Battery
13	162598	Decal Drawbar Load Limit
14	126187X	Decal, 100 Db
15	135013	Decal, Deck Enviro
16	145494	Decal, Certification
17	136830	Decal, V-Belt, Schematic
--	138311	Decal, Lift Handle
--	157065	Manual, Operator's (Euro.)
--	157216	Manual, Operator's (Scan.)
--	163416	Manual, Repair Parts

Available accessories are not included with your tractor  
 MK36 Mulcher Kit  
 C36 Grass Catcher

#### TIRES & WHEELS



KEY NO.	PART NO.	DESCRIPTION
1	59192	Cap, Valve
2	65139	Stem, Valve
3	278H	Fitting, Grease (Front Only)
4	137422	Tire, Front
	132703	Tire, Rear
5	59904	Tube, Tire, Front
	8134H	Tube, Tire, Rear
6	137237X427	(Optional, Service Items Only) Rim Assembly, Front
	140325X427	Rim Assembly, Rear
7	104757X	Cap, Axle
8	9040H	Bearing, Flange (Front Only)
9	121748X	Washer, Axle Cap
--	144334	Sealant, Tire (10 Ounce Tube)