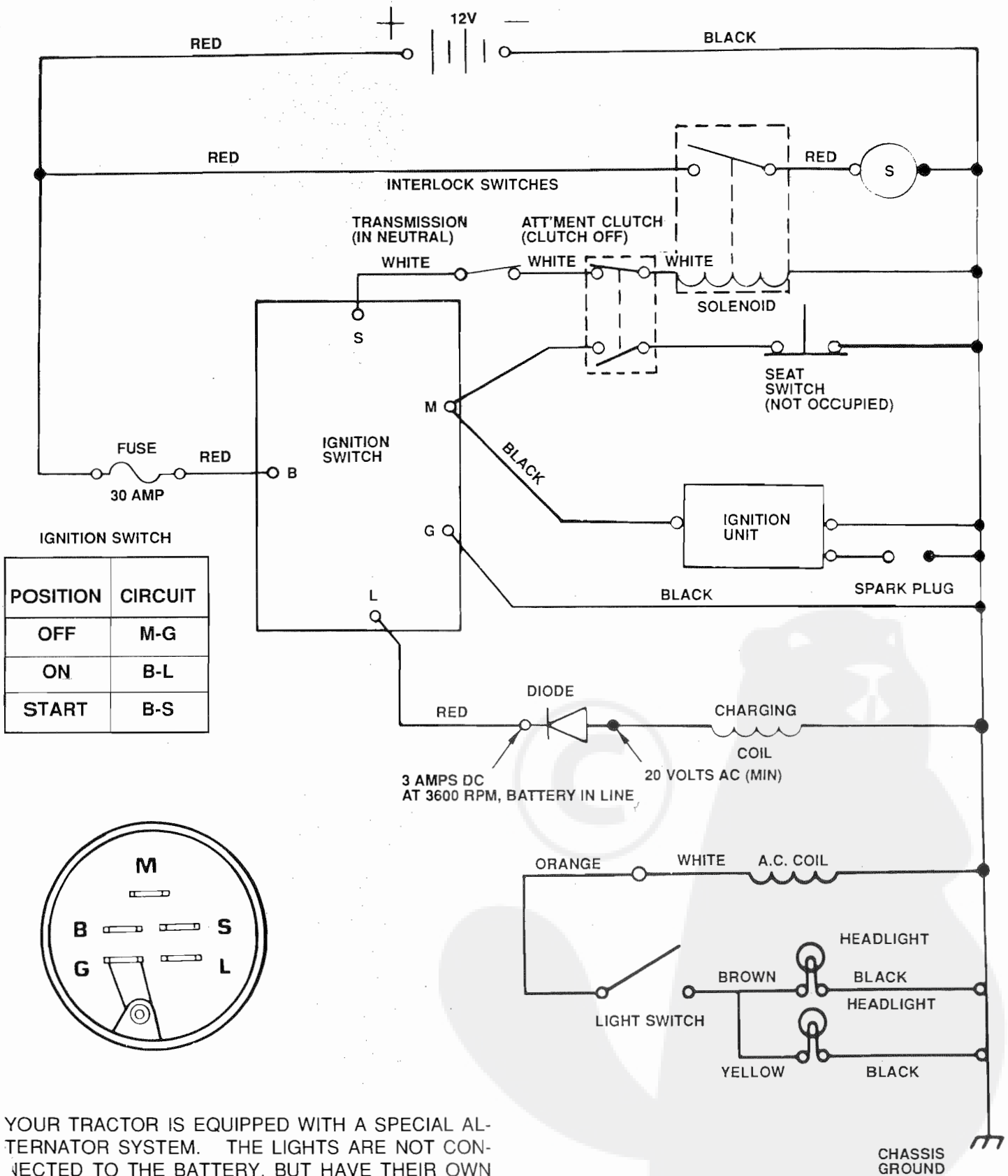
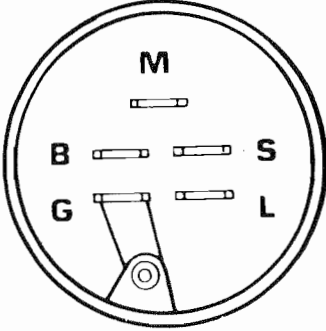


SCHEMATIC DIAGRAM

36" RIDING LAWN TRACTOR - - MODEL NUMBER L1970AR



POSITION	CIRCUIT
OFF	M-G
ON	B-L
START	B-S



YOUR TRACTOR IS EQUIPPED WITH A SPECIAL ALTERNATOR SYSTEM. THE LIGHTS ARE NOT CONNECTED TO THE BATTERY, BUT HAVE THEIR OWN ELECTRICAL SOURCE. BECAUSE OF THIS, THE BRIGHTNESS OF THE LIGHTS WILL CHANGE WITH THE ENGINE SPEED. AT IDLE SPEED THE LIGHTS WILL DIM. AS THE ENGINE IS SPEEDED UP, THE LIGHTS WILL BECOME THEIR BRIGHTEST.

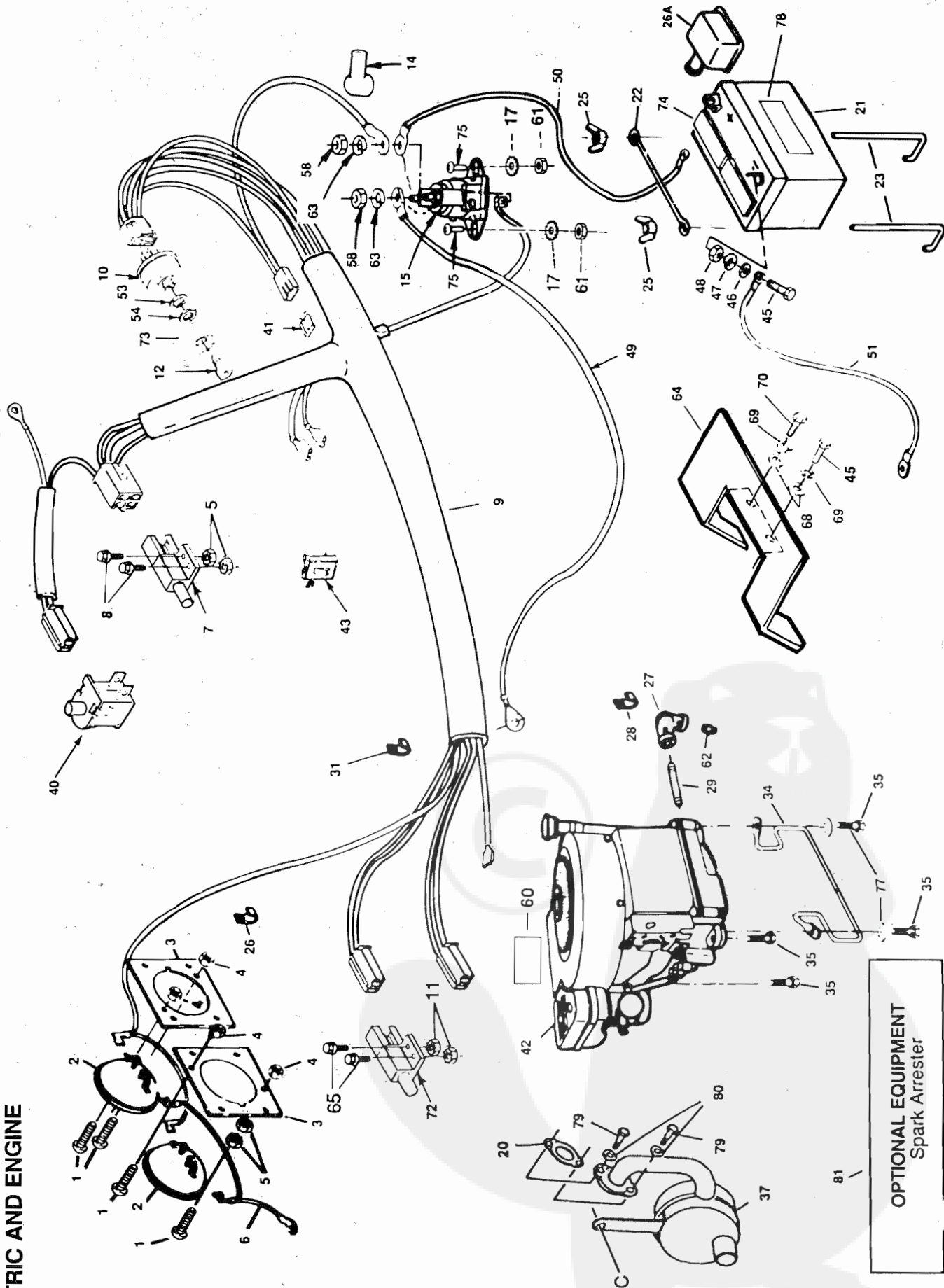
WIRING INSULATED CLIPS

If Insulated Clips and Cable Ties were removed for servicing of unit, they should be replaced to properly secure your wiring.

REPAIR PARTS

ELECTRIC AND ENGINE

36" RIDING LAWN TRACTOR -- MODEL NUMBER L1970AR



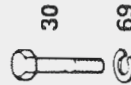
REPAIR PARTS

36" RIDING LAWN TRACTOR -- MODEL NUMBER L1970AR

ELECTRIC & ENGINE

KEY NO.	PART NO.	DESCRIPTION	KEY NO.	PART NO.	DESCRIPTION	KEY NO.	PART NO.	DESCRIPTION
1	74291016	Screw - Machine Phillips Truss Head No. 10-24 x 1	31	6794R	Insulated Clip	62	91084	Plug - Oil Drain
2	6774R	Headlight	34	1795J	Belt Keeper	63	10090400	* Washer - Lock 1/4
3	73025	Headlight Support	35	17490624	Screw - Hex Hd. Thd. Rolling 3/8-16 x 1-1/2	64	109730X	Shield - Heat
4	4632H	Locknut No. 10-24				65	71031008	Screw, Hex Washer Hd. 10-32 x 1/2
5	73731000	Nut - Keps No. 10-24						
6	71706	Wire Assembly	37	109560X	Muffler	68	19101216	* Washer
7	109553X	Switch - Interlock	40	121305X	Switch, Seat Plunger	69	10040400	* Lockwasher
8	74191008	Screw - Machine Phillips Pan Head	41	108824X	Fuse - 30 Amp	70	74780416	* Bolt 1/4-20 x 1
9	121354X	No. 10-24 x 1/2	42		Engine - Briggs & Stratton 12 HP Model Number 281707 Type No.0198-01 (See pages 28 thru 33)	72	104445X	Switch - Interlock
10	4406R	Wire Harness - Ignition	43	110712X	Light Switch	73	109787X	Bezel Ignition
11	73951000	Ignition Switch (Inc. Key No. 12)				74	121264X	Cap Battery
12	7552H	Nut, Keps 10-32				75	74230408	* Screw - Mach. Phillips Pan Hd. 1/4-20 x 1/2
13	719J	Key Set	45	74760412	* Hex Bolt 1/4-20 x 3/4	77	19131210	* Washer - 13/32 x 3/4 x 10 Ga.
14	719J	Terminal Cover	46	19091016	* Washer 9/32 x 5/8 x 16 Ga.	78	121549X	Decal Battery Caution French/German
15	109081X	Solenoid	47	10040400	* Lockwasher 1/4 heavy			
17	73510400	Nut - Hex Keps 1/4-20 UNC	48	73220400	* Hex Nut 1/4-20	79	74760512	* Bolt - Hex Hd. 5/16-18 UNC x 3/4
20	1407J	Gasket	49	2957J	Cable Assembly (Solenoid to Starter)	80	10040500	* Washer - Lock Hvy. Helical Spr. 5/16
21	121265X	Battery	50	4559J	Cable Assembly (Battery to Solenoid)	81	100092M	Spark Arrester Kit
22	67187	Battery Rod	51	596J	Cable Assembly (Battery to Ground)		121803X	Owner's Manual, Eng.
23	70456	Battery Bolt	53	19221616	* Washer 11/16 x 1 x 16 Ga.		121804X	Owner's Manual, Fr.
25	123198X	Wing Nut 1/4-20	54	109788X	Nut - Ignition		101539X	Sheet - Instruction, Tractor 15' Slope, Eng.
26	2521R	Insulated Clip	58	73350400	* Nut - Hex Jam 1/4-20			
26 A	225J	Battery Terminal Cover	59	73220600	Nut		101572X	Sheet - Instruction, Tractor 15' Slope, Fr.
27	13200300	Std. Elbow 90 3/8-18 NPT	60	121120X	Label - Engine Maintenance			
28	5320R	Insulated Clip	61	11050400	Washer, Lock 1/4			
29	13280324	Pipe Nipple						
30	74770728	Bolt - Hex 7/16 - 20 x 1-3/4						

C



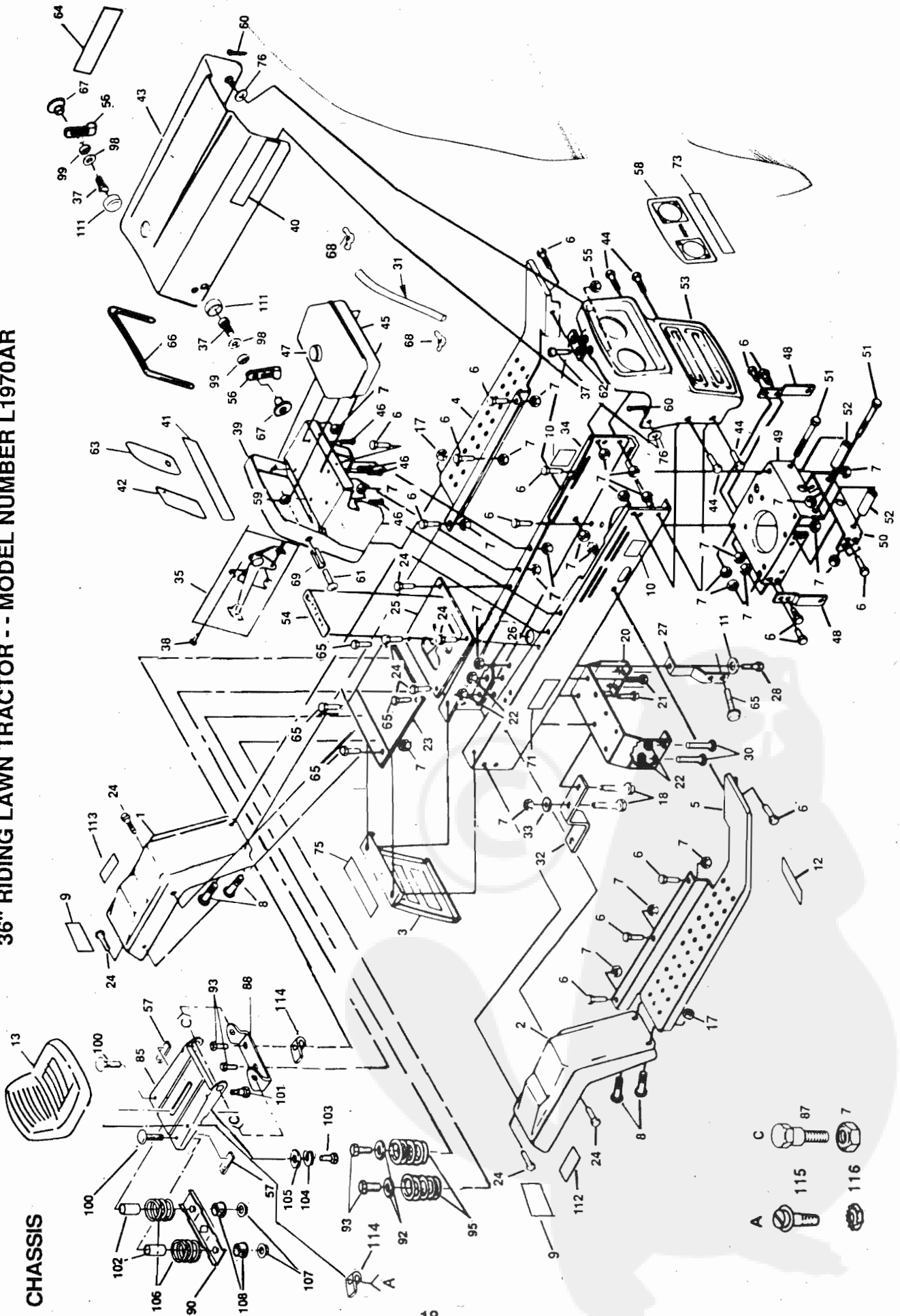
NOTE: All component dimensions given in U.S. inches - 1 inch = 25.4 mm

* STANDARD HARDWARE PURCHASE LOCALLY

REPAIR PARTS

36" RIDING LAWN TRACTOR -- MODEL NUMBER L1970AR

CHASSIS



REPAIR PARTS

36" RIDING LAWN TRACTOR - - MODEL NUMBER L1970AR

CHASSIS

KEY NO.	PART NO.	DESCRIPTION	KEY NO.	PART NO.	DESCRIPTION	KEY NO.	PART NO.	DESCRIPTION
1	388J366	Fender - L.H.	38	17720410	Screw, Hex Washer Hd., Thd. Cutting 1/4-20 x 1/2	68	6999R	Hose Clamp
2	389J366	Fender - R.H.	39	120016X	Dash Weldment	69	7206J	Spacer - Split
3	120019X	Rear Cover	40	109322X	Decal - Hood R.H.	71	7827J	Decal - Brake, Parking
4	1539J	Foot Rest - L.H.	41	1136J	Decal - Dash Instruction	73	104290X	Decal - Grill Stripe
5	1540J	Foot Rest - R.H.	42	1135J	Decal - Dash Controls	75	109323X	Decal - Logo
6	74760512	* Bolt - Hex 5/16-18 UNC x 3/4	43	104355X366	Hood Weldment	76	19111216	* Washer 11/32 x 3/4 x 16 Ga.
7	73680500	Locknut - Gripco 5/16-18 UNC	44	98000131	Screw - Hex Washer Hd., Mach. 5/16-18 x 3/4	85	121247X	Pan - Seat
8	74760508	Bolt - Hex 5/16-18 UNC x 1/2	45	73427	Fuel Tank	87	105529X	Bolt - Shoulder 5/16-18
10	121847X	Decal - H.P. and Speed	46	17760412	Screw - Truss Hd., Phillips Thd. Cutting 1/4-20 x 3/4 Type 23	88	105513X	Bracket Pivot - Seat
11	19112410	Washer 11/32 x 1-1/2 x 10 Ga.	47	74145	Fuel Cap	90	121246X	Bracket - Switch Mount
12	1133J	Decal - Clutch and Brake	48	71190	Brake Rod Bracket	92	19131614	Washer 13/32 x 1 x 14 Ga.
13	110839X	Seat	49	1839J	Engine Base	93	17490616	Screw - Hex Washer, Thd. Rolling 3/8-16 x 1
18	74780520	* Bolt - Hex 5/16-18 x 1-1/4 Gr. 5	50	71178	Rocker Bar Support	95	121067X	Spring - Compression
20	5929J	Transaxle Support	51	74760848	* Bolt, Hex Fin 1/2 x 13 UNC x 3 Bushing	98	19060716	Washer 3/16 x 7/16 x 16 Ga.
21	74760616	* Bolt - Hex 3/8-16 x 1	52	67151	Bushing	99	110357X	Washer Snap Cap
22	73680600	Locknut - Gripco 3/8-16	53	109734X	Grill Frame	100	72170410	Bolt - Rd. Hd. 1/4-20 x 1 1/4
23	121783X	Cover Plate	54	74307	Battery Cap	101	121144X	Bolt - Shoulder 5/16 UNC
24	17490508	Screw - Hex Hd., Thd. Rolling 5/16-18 x 1/2	55	4632H	Locknut 10-24	102	121249X	Spacer - Split 28 ID x .88 Lg.
25	120435X012	Chassis Cover w/ Silk Screen	56	109808X	Hood Latch	103	74780816	Bolt - Fin. Hex 1/2-13 UNC x 1 Gr. 5
26	5930J	Plate - Stiffener	57	121251X	Strip Foam	104	10040800	Lockwasher
27	120821X	Axle Strap	58	109324X	Decal - Headlight	105	19171912	Washer 17/32 x 1 3/16 x 12 Ga.
28	74760516	* Bolt, Hex 5/16-18 x 1	59	73731000	Nut, Keps No. 10-24	106	121250X	Spring - Compression
30	74760644	Bolt, Hex 3/8-16 x 2-3/4	60	76020312	* Cotter Pin	107	73900400	Nut - Hex Flange 1/4-20 UNC
31	7119J	Fuel Line	61	74981020	Screw - Cross Recess, Pan Hd., Machine No. 10-24 x 1-1/4	108	121248X	Snap Bushing .50 O.D.
32	71205	Tow Hitch	62	470J	Hood Bumper	111	110356X	Snap Cap
33	19122006	Washer 3/8 x 1-1/4 x 6 Ga.	63	120357X	Decal - Dash L.H.	112	106974X	Decal - Caution - English
34	120394X	Chassis	64	109321X	Decal - Hood L.H.	113	110327X	Decal - Caution - French
35	121734X	Control Throttle	65	17490512	Screw - Hex Washer Hd Thd. Forming Type TT 5/16 18 x 3/4	114	4171R	Clip - Insulated
37	74191008	* Screw, Pan Hd. Machine No. 10-24 x 1/2	66	8937R	Hood Strip	115	74641008	Screw, Pan Head #10 - 32 x 1/2
			67	2029J	Weldnut	116	73951000	Nut - Keps #10 - 32

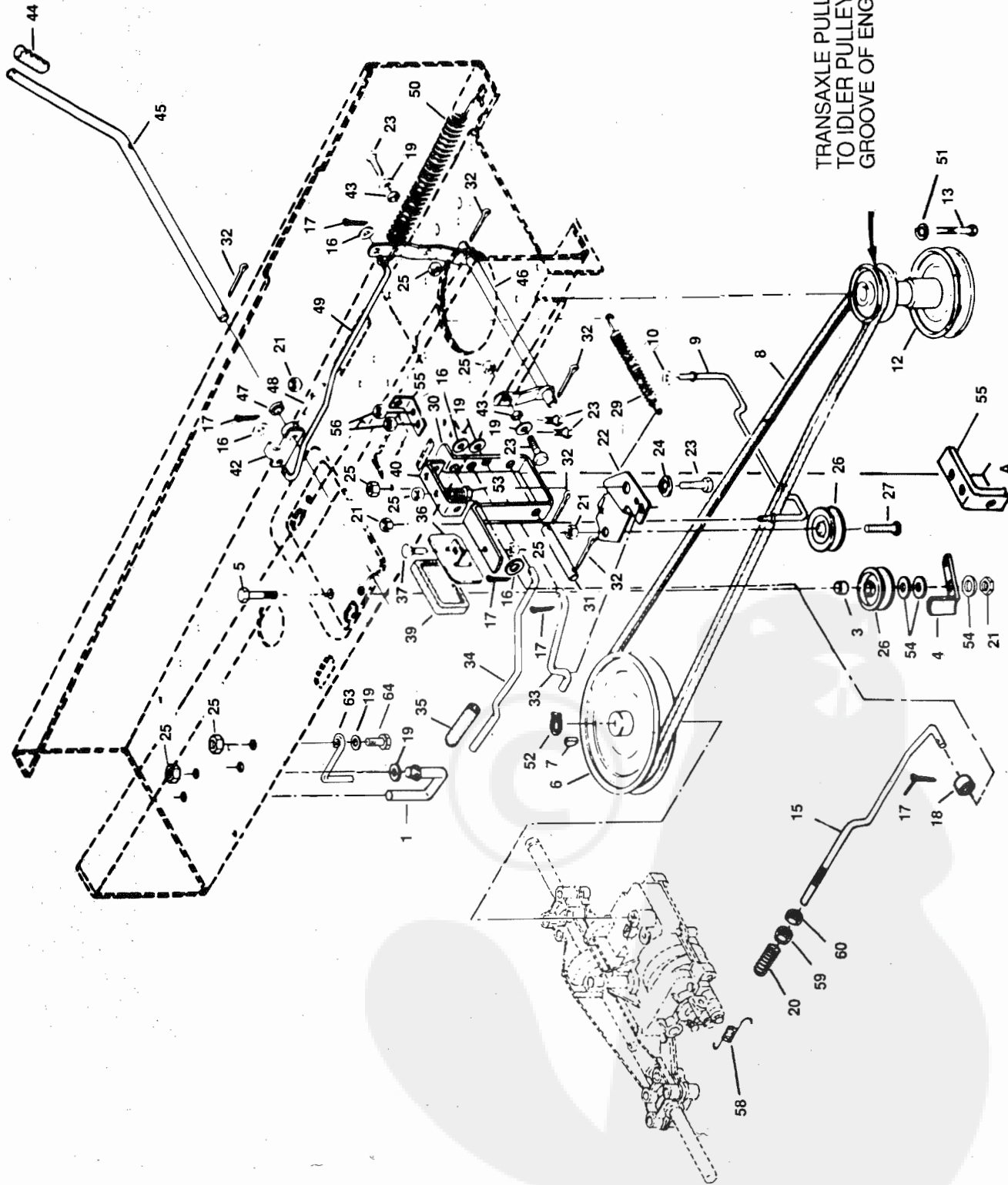
NOTE: All equipment dimensions given in U.S. inches - 1 inch = 25.4 mm

* STANDARD HARDWARE PURCHASE LOCALLY

REPAIR PARTS

CLUTCH-BRAKE DRIVE

36" RIDING LAWN TRACTOR -- MODEL NUMBER L1970AR



REPAIR PARTS

36" RIDING LAWN TRACTOR - - MODEL NUMBER L1970AR

CLUTCH—BRAKE DRIVE

KEY NO.	PART NO.	DESCRIPTION	KEY NO.	PART NO.	DESCRIPTION	KEY NO.	PART NO.	DESCRIPTION
1	5942J	Keeper, Belt	24	71202	Bushing	47	19171616	Washer 17/32 x 1 x 16 Ga.
3	122086X	Spacer	25	73680500	Nut - Crownlock 5/16-18	48	2364J	Pin - Spiral 3/16 x 1
4	6278J	Keeper - Belt	26	67400	Pulley - Idler	49	74474	Blade Clutch Rod
5	74760565	Bolt - Hex 3/8-16 x 2-3/4	27	74760624	* Bolt - Hex 3/8-16 x 1-1/2	50	71248	Spring
6	5925J	Pulley - Transaxle	29	2044J	Spring - Idler	51	10040700	* Lockwasher 7/16 Heavy
7	2228M	Woodruff Key No. 9	30	6048J	Foot Pedal	52	12000028	Retainer Ring
8	121979X	V-Belt	31	71223	Pedal Shaft	53	74780512	* Bolt - Hex 5/16-18 x 3/4 Gr. 5
9	71241	Mid Belt Guide	32	76020416	* Cotter Pin 1/8 x 1	54	19131210	Washer 13/32 x 3/4 x 10 Ga.
10	19131416	Washer 13/32 x 7/8 x 16 Ga.	33	74419	Clutch Rod	55	71204	Switch Bracket
12	121351X	Pulley - Engine	34	373J	Parking Brake Rod	56	73680500	Nut - Lock 5/16-18
13	74770728	Bolt - Hex 7/16-20 x 1-3/4 Gr. 5	35	7821J	Grip	58	110422X	Spring
15	120297X	Brake Rod	36	71222	Pedal Plate	59	73680600	Nut 3/8-16 UNC
16	19131216	Washer 13/32 x 3/4 x 16 Ga.	37	72140506	Bolt - Carriage 5/16-18 x 3/4 Gr. 5	60	73350600	Nut - Jam 3/8-16 UNC
17	76020312	* Cotter Pin 3/32 x 3/4	39	67365	Foot Pad	63	105597X	Retainer - Belt
18	19111212	Washer 11/32 x 3/4 x 12 Ga.	40	71199	Pedal Bracket	64	74760516	Bolt - Hex 5/16-18 UNC x 1
19	19111216	Washer 11/32 x 3/4 x 16 Ga.	42	73229	Clutch Arm Assembly			
20	106888X	Brake Spring	43	71195	Spacer			
21	73680600	Nut - Crownlock 3/8-16	44	7822J	Grip			
22	71201	Idler Bracket	45	71242	Clutch Handle			
23	74760512	* Bolt - Hex 5/16-18 x 3/4	46	71191	Clutch Arm Assembly			



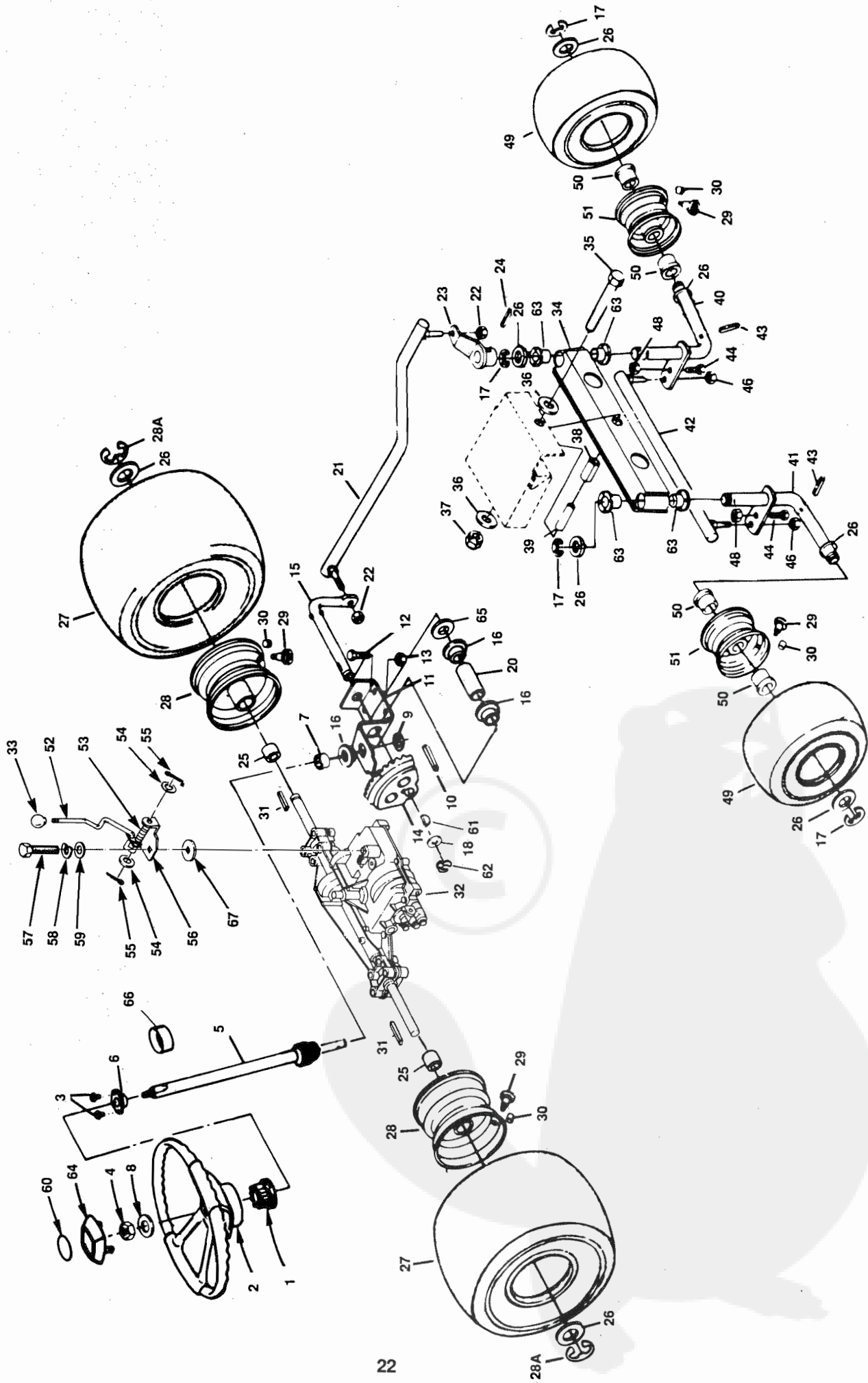
NOTE: All component dimensions given in U.S. inches -
1 inch = 25.4 mm

* STANDARD HARDWARE
PURCHASE LOCALLY

REPAIR PARTS

STEERING AND WHEELS

36" RIDING LAWN TRACTOR -- MODEL NUMBER L1970AR



REPAIR PARTS

36" RIDING LAWN TRACTOR - - MODEL NUMBER L1970AR

STEERING AND WHEELS

KEY NO.	PART NO.	DESCRIPTION	KEY NO.	PART NO.	DESCRIPTION	KEY NO.	PART NO.	DESCRIPTION
1	100711L	Steering Wheel Adapter	22	7810H	Nut - Centerlock 3/8-24 UNF	46	73810500	Nut - Hex Nylon 5/16-24
2	100713N	Steering Wheel	23	71185	Steering Arm Assembly	48	73680600	Nut - Crownlock 3/8-16
3	17431008	Hex Washer Hd. Sht. Metal	24	62079	Spring Pin 1/4 x 1-1/4	49	71651	Tire (15 x 6.00 x 6)
4	73940800	Screw No. 10-16 x 1/2 Type AB	25	109502X	Spacer	—	4479R	Tube - Tire (not furnished with Tractor)
5	677A208	Nut - Hex Jam Top Lock 1/2-20	26	121749X	Washer 25/32 x 1-1/4 x 16 Ga.	50	625J	Bearing
6	1554J	Steering Shaft Assembly	27	71653	Tire (18.00 x 9.50 x 8)	51	677A98	Rim Assembly (Inc. Key No. 50)
7	74580	Bushing - Steering	—	4445H1	Tube Tire (not furnished with Tractor)	52	121407X	Rod - Shifter
8	100712K	Shaft Spacer	28	71652311	Rim	53	105700X	Spring - Torsion
9	19212013	Washer	28 A	12000001	E Ring	54	19151216	Washer 15/32 x 3/4 x 16 Ga.
10	1572H	Washer 21/32 x 1-1/4 x 13 Ga.	29	65139	Valve Stem	55	76020416	* Cotter Pin 1/8 x 1
11	120017X	Pin - Roll	30	59192	Valve Cap	56	106632X	Shift Plate
12	74760512	Steering Bracket	31	2703J	Square Key 3/16 x 2	57	71040412	Bolt - Hex 1/4-28 x 3/4
13	73680500	* Bolt - Hex 5/16-18 x 3/4	32	4360-7	Transaxle Assembly - Foote (see pages 26-27 for parts breakdown)	58	10040400	* Washer - Lock 1/4
14	101060M	Locknut - 5/16-18	33	106279X	Knob - Control	59	19091210	Washer 9/32 x 3/4 x 10 Ga.
15	101429X	Gear	34	104532X	Rocker Bar Assembly	60	109325X	Decal - Steering Wheel
16	71208	Steering Rod	35	74760848	Valve Cap	61	2228M	Key - Woodruff
17	12000029	Bushing	36	19171416	Bolt - Hex 1/2-13 x 3	62	12000040	Ring - Klip
18	19211621	Klip Ring	37	73680800	Washer 17/32 x 7/8 x 16 Ga.	63	3366R	Bearing
20	101171K	Washer 21/32 x 1 x 21 Ga. (0 - 4 as required)	38	67151	Locknut - 1/2-13	64	100710L	Insert - Steering Wheel
21	71219	Spacer - Split	39	71188	Bushing	65	19211616	Washer 21/32 x 1 x 16 Ga.
		Drag Link			Pivot Spacer	66	109420X	Sleeve - Steering
			40	677A169	Spindle Assembly - L. H.	68	104757X	Hub cap
			41	677A168	Spindle Assembly - R.H.	69	10570X	Washer Shift Plate
			42	7324C	Tie Rod			
			43	9530R	Groove Pin			
			44	74760612	* Bolt - Hex 3/8-16 x 3/4			

NOTE: All component dimensions given in U.S. inches - 1 inch = 25.4 mm

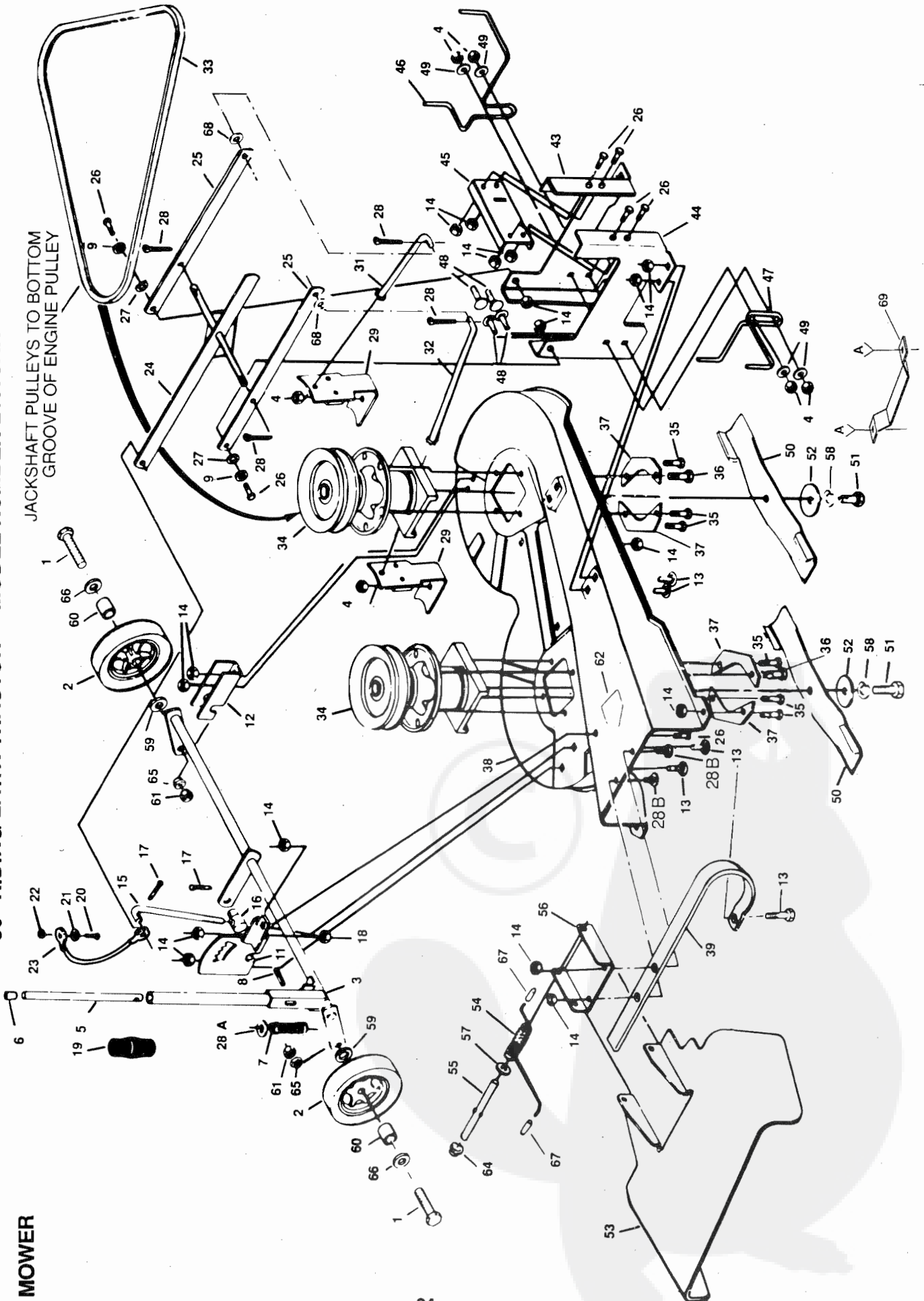
* STANDARD HARDWARE PURCHASE LOCALLY

67 105701X @ 37-220B

REPAIR PARTS

MOWER

36" RIDING LAWN TRACTOR -- MODEL NUMBER L1970AR



REPAIR PARTS

36" RIDING LAWN TRACTOR - - MODEL NUMBER L1970AR

MOWER

KEY NO.	PART NO.	DESCRIPTION	KEY NO.	PART NO.	DESCRIPTION	KEY NO.	PART NO.	DESCRIPTION
1	74610644	Hex Bolt 3/8-24 x 2-3/4 Gr. 5	22	73680400	* Nut, Hex Lock 1/4-20	44	71277	Housing Bracket - R.H.
2	9536H	Gauge Wheel	23	122279X	Sway Cable	45	71278	Channel
3	101061N	Pivot Rod Assembly	24	72915	Parallel Rod Assembly	46	71298	Belt Keeper - L.H.
4	73680600	Nut - Crownlock 3/8-16	25	71297	Parallel Link	47	71299	Belt Keeper - R.H.
5	1663J	Rod - Plunger	26	74760512	* Bolt, Hex Head 5/16-18 x 3/4	48	72240608	* Bolt, Carriage 3/8-16 x 1
6	7740J	Cap - Lever Plunger	27	71616	Spacer	49	19131407	Washer 13/32 x 7/8 x 7 Ga.
7	71669	Spring	28	76020416	* Cotter Pin 1/8 x 3/4	50	120262X	Blade
8	667J	Pin - Drive Lock	28 A	19151216	Washer 15/32 x 3/4 x 16 Ga.	51	74610624	* Bolt, Hex 3/8-24 x 1-1/2 Gr. 5
9	19111216	Washer 11/32 x 3/4 x 16 Ga.	28 B	72140506	* Bolt, Carriage Sh. Shoulder 5/16-18 x 3/4 Gr. 5	52	19133808	Washer 13/32 x 2-3/8 x 8 Ga.
11	72937	Quadrant Assembly	29	106577X	Brake Assembly	53	102811X	Deflector (Discharge Guard)
12	67337	Pivot Rod Support	31	71525	Brake Rod - L.H.	54	121981X	Discharge Spring
13	72140505	Bolt, Carriage 5/16-18 x 5/8 Gr. 5	32	71524	Brake Rod - R.H.	55	121980X	Hinge Rod
14	73680500	Locknut - Gripco 5/16-18	33	62828	V-Belt	56	120244X	Bracket - Deflector
15	71300	Adjustment Rod	34	121687X	Jackshaft Assembly	57	19111016	Washer 11/32 x 5/8 x 16 Ga.
16	71301	Trunnion	35	17490614	Screw - Hex Washer Thd. Rolling 3/8-16 x 7/8 Type TT	58	10030600	Lockwasher 3/8
17	76020312	* Cotter Pin 3/32 x 3/4	36	17490620	Screw - Hex Washer Thd. Rolling 3/8-16 x 1-1/4 Type TT	59	19131316	* Washer 13/32 x 13/16 x 16 Ga.
18	73800600	Locknut w/Washer 3/8-16 UNC	37	100668L	Plate - Support	60	7375H	Bushing
19	1747J	Grip, Handle	38	121595X	Housing w/Silk Screening	61	7810H	* Nut - Lock 3/8-24
20	74230416	* Screw, Phillips Pan Hd. Machine 1/4-20 x 1	39	8055J	Runner - R.H.	62	107339X	Decal, Warning
21	19091616	Washer 9/32 x 1 x 16 Ga.	43	71276	Housing Bracket - L.H.	64	110452X	Pal Nut
						65	101062K	Bushing - Height Adj.
						66	19131614	Washer 13/32 x 1 x 14 Ga.
						67	105304X	Cap - Sleeve
						68	19171616	Washer 17/32 x 1 x 16 Ga.
						69	4496J	Skid, Housing

A



13



14

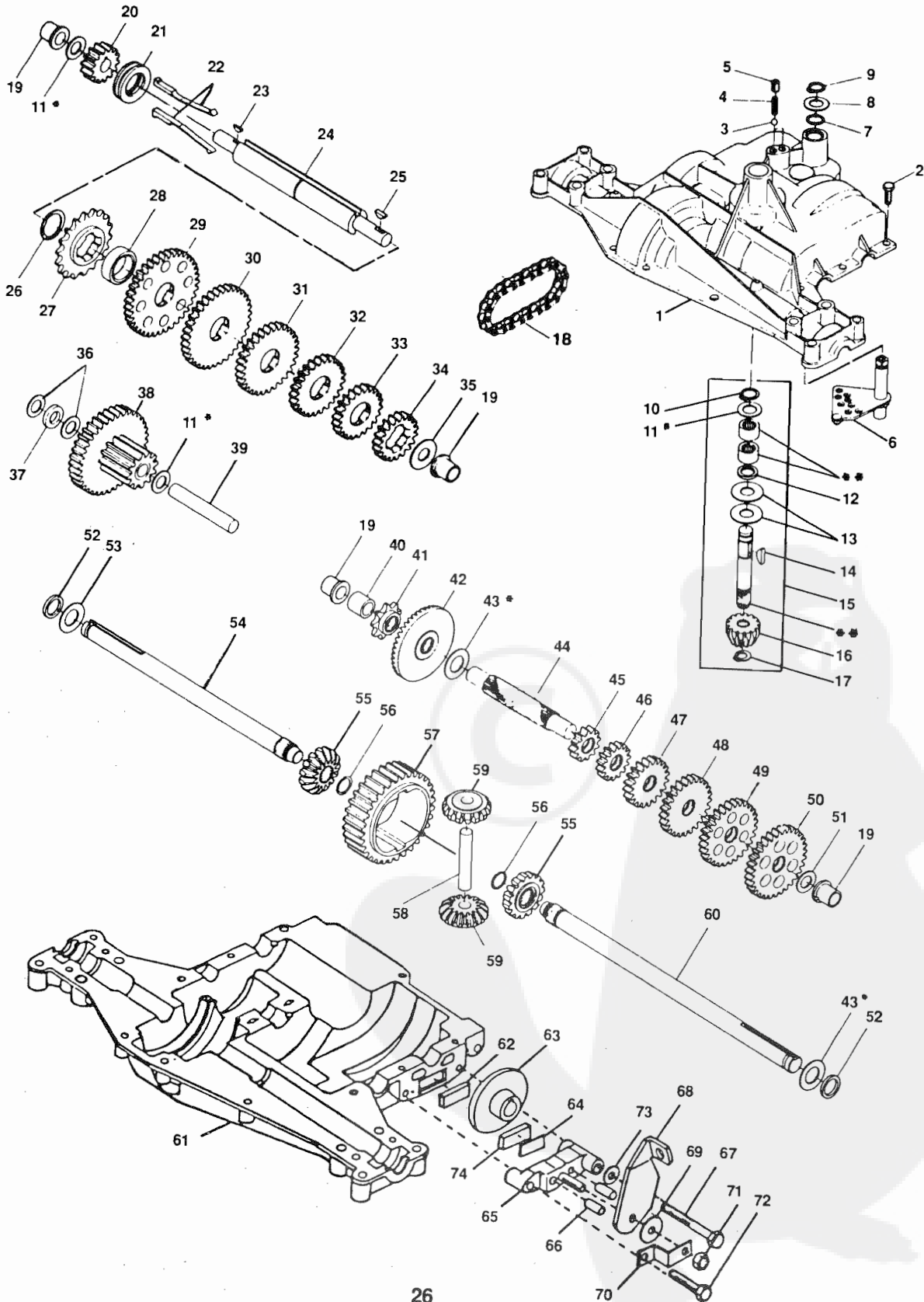
NOTE: All component dimensions given in U.S. inches - 1 inch = 25.4 mm

* STANDARD HARDWARE PURCHASE LOCALLY

REPAIR PARTS

12 H.P. RIDING LAWN TRACTOR -- MODEL NUMBER L1970AR
TRANSAXLE FOOTE -- MODEL NUMBER 4360-7

WARRANTY SERVICE MUST BE PERFORMED BY AN
AUTHORIZED FOOTE DEALER (REFER TO PAGE 37).



REPAIR PARTS

12 H.P. RIDING LAWN TRACTOR -- MODEL NUMBER L1970AR TRANSAXLE FOOTE -- MODEL NUMBER 4360-7

KEY. PART NO.	PART NO.	DESCRIPTION	KEY. PART NO.	PART NO.	DESCRIPTION
1	3865	Housing, Upper	41	3645	Sprocket, 9T.
2	1919	Screw, Tapping 1/4 - 20 x .734 Lg.	42	3853	Gear, Bevel, 42T.
3	1151	Ball, Detent	43	3749	* Washer, Plain, .758 x 1.12 x .010
4	3626	Spring, Detent	43	3652	* Washer, Plain, .758 x 1.12 x .015
5	3623	Screw, Set	43	3693	* Washer, Plain, .758 x 1.12 x .020
6	4336	Assembly, Shifter	43	3653	* Washer, Plain, .758 x 1.12 x .025
7	3884	O-Ring	43	3408	* Washer, Plain, .758 x 1.25 x .020
8	3885	* Washer, Plain, .505 x .942 x .006	43	3732	* Washer, Plain, .758 x 1.25 x .025
8	3886	* Washer, Plain, .505 x .942 x .010	43	3184	* Washer, Plain, .758 x 1.25 x .031
8	3887	* Washer, Plain, .505 x .942 x .015	43	3733	* Washer, Plain, .758 x 1.25 x .035
8	3888	* Washer, Plain, .505 x .942 x .020	43	3198	* Washer, Plain, .758 x 1.25 x .040
8	3889	* Washer, Plain, .505 x .942 x .026	43	3734	* Washer, Plain, .758 x 1.25 x .045
8	3121	* Washer, Plain, .505 x .942 x .030	43	3735	* Washer, Plain, .758 x 1.25 x .050
8	3890	* Washer, Plain, .505 x .942 x .040	43	3736	* Washer, Plain, .758 x 1.25 x .055
9	1100	Ring, Retaining	43	3180	* Washer, Plain, .758 x 1.25 x .062
10	1099	Ring, Retaining	44	3882	Shaft, Drive
11	1959	* Washer, Plain, .632 x 1.00 x .010	45	3646	Gear, Spur, 12T.
11	1441	* Washer, Plain, .632 x 1.00 x .020	46	3707	Gear, Spur, 15T.
11	1423	* Washer, Plain, .632 x 1.00 x .026	47	3866	Gear, Spur, 20T.
11	1082	* Washer, Plain, .632 x 1.00 x .031	48	3719	Gear, Spur, 25T.
11	1424	* Washer, Plain, .632 x 1.00 x .036	49	3868	Gear, Spur, 28T.
11	1068	* Washer, Plain, .632 x 1.00 x .041	50	3683	Gear, Spur, 31T.
11	1425	* Washer, Plain, .632 x 1.00 x .046	51	1145	Washer, Plain, .632 x 1.00 x .060
11	1358	* Washer, Plain, .632 x 1.00 x .050	52	3191	Seal, Felt
11	1145	* Washer, Plain, .632 x 1.00 x .060	53	3180	Washer, Plain, .758 x 1.25 x .062
11	1319	* Washer, Plain, .632 x 1.00 x .082	54	3880	Axle, L.H.
12	3312	O-Ring	55	3780	Gear, Miter, 15T.
13	3876	Washer, Plain, .632 x 1.38 x .046	56	3656	Ring, Retaining
14	1374	Key, Woodruff, #9	57	3839	Gear, Spur, 32T.
15	4134	Assembly Kit, Input Shaft	58	3919	Shaft, Drive
16	3590	Pinion, Bevel, 14T.	59	3781	Gear, Miter, 15T.
17	3624	Ring, Retaining	60	3881	Axle, R.H.
18	3625	Chain, 24 Pitches	61	3864	Housing, Lower
19	1542	Bearing, Flange	62	3920	Puck, Friction
20	3773	Gear, Spur, 14T.	63	3276	Disc, Brake
21	3631	Collar, Clutch	64	3758	Spacer
22	3828	Key, Clutch	65	3916	Jaw, Brake
23	1369	Key, Woodruff, #3	66	3843	Pin, Dowel
24	3883	Shaft, Intermediate	67	3915	Screw, Tapping 5/16 - 18 x 2.25
25	1375	Key, Woodruff, #61	68	3768	Lever, Actuating
26	3627	Ring, Retaining	69	3760	Washer, Plain, .321 x 1.00 x .055
27	3830	Sprocket, 18T.	70	3917	Bracket, Anti-Rotation
28	3841	Spacer	71	3847	Nut, Lock 5/16 - 24
29	3786	Gear, Spur, 37T.	72	3724	Screw, Tapping 5/16 - 18 x 1.44 Lg.
30	3785	Gear, Spur, 35T.	73	3906	Washer, Plain, .343 x .81 x .059
31	3867	Gear, Spur, 30T.	74	3907	Puck, Friction
32	3783	Gear, Spur, 25T.	75	4300	Grease
33	3869	Gear, Spur, 22T.			
34	3741	Gear, Spur, 19T			
35	3628	Washer, Plain, .640 x 1.37 x .061			
36	1423	Washer, Plain, .632 x 1.00 x .026			
37	3422	Spacer, .630 x 1.00 x .169			
38	4286	Assembly, Gear, Combo., 12T. & 35T.			
39	3877	Shaft, Idler			
40	3901	Spacer, .635 x .875 x .755			

* Use in various combinations to maintain proper clearances.

** Order Key No. 15.

NOTE: All component dimensions given in U.S. inches.
1 inch = 25.4 mm

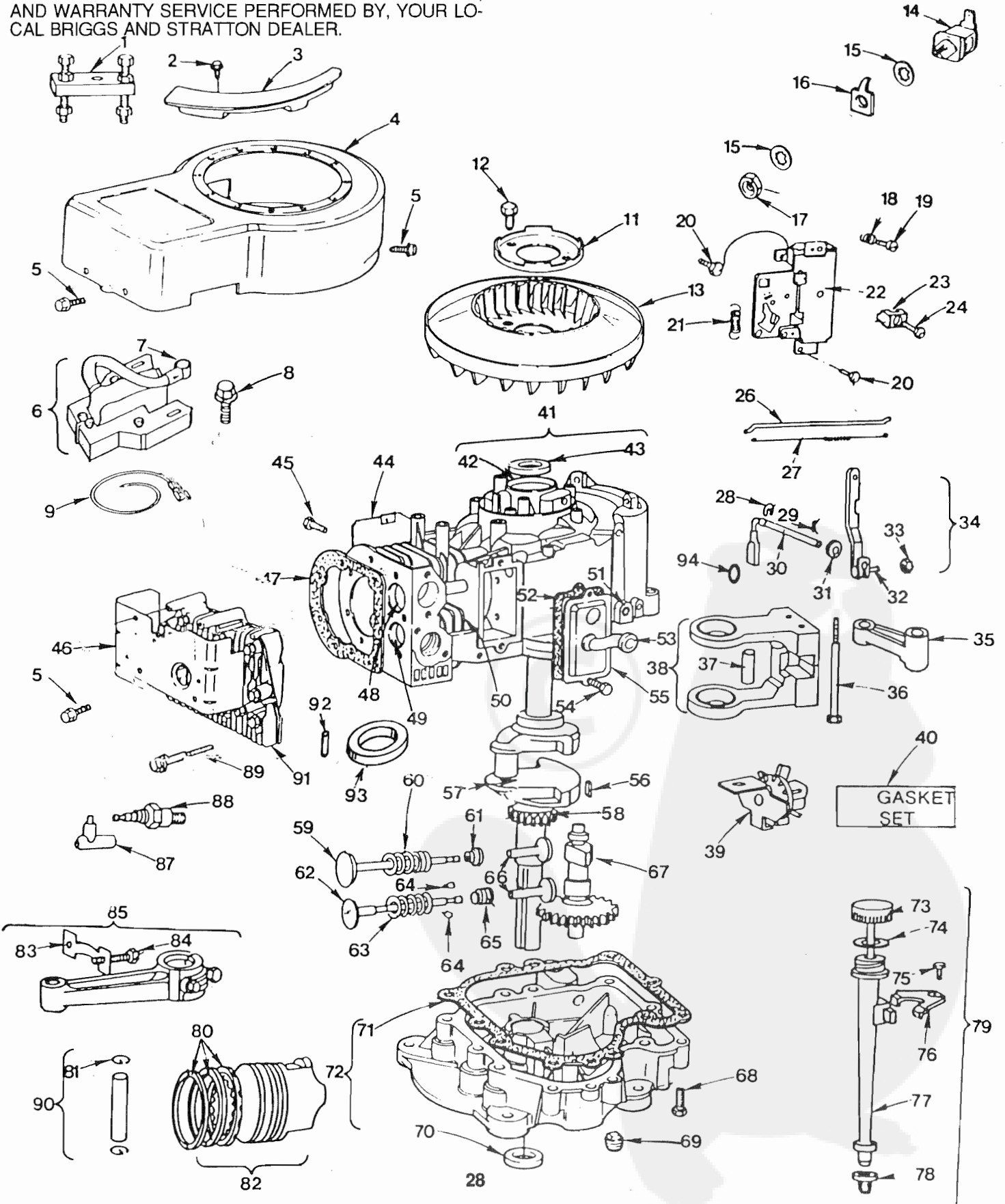
REPAIR PARTS

36" RIDING LAWN TRACTOR - - MODEL NUMBER L1970AR

CYLINDER, CRANKSHAFT AND ENGINE BASE GROUP

BRIGGS & STRATTON - - MODEL NUMBER 281707, TYPE NUMBER 0198-01

ALL ENGINE PARTS MUST BE PURCHASED THROUGH, AND WARRANTY SERVICE PERFORMED BY, YOUR LOCAL BRIGGS AND STRATTON DEALER.



REPAIR PARTS

36" RIDING LAWN TRACTOR - - MODEL NUMBER L1970AR

CYLINDER, CRANKSHAFT AND ENGINE BASE GROUP

BRIGGS & STRATTON - - MODEL NUMBER 281707, TYPE NUMBER 0198-01

KEY NO.	PART NO.	DESCRIPTION	KEY NO.	PART NO.	DESCRIPTION
1	19203	Puller - Flywheel	52	27803	* Gasket - Valve Cover
2	93705	Screw - Sem	53	280100	Tube - Breather
3	223752	Guard - Flywheel	54	93394	Screw Sem
4	490689	Housing - Blower	55	391406	Breather Assy
5	93158	Screw - Blower Housing Mtg. Sem	56	222698	Key - Flywheel
6	492341	Armature - Magneto (Inc. Key No. 7)	57	490466	Crankshaft (NOTE: Order Part No. 94196 for Timing Gear Key)
7	221798	Terminal - Ignition Cable			Gear - Timing
8	93381	Screw - Armature Mounting Sem	58	262135	Valve - Intake
9	398808	Wire - Ground	59	262247	Spring - Intake Valve
11	223726	Retainer- Fan	60	65906	Retainer - Intake Valves
12	93535	Screw - Sem	61	221596	Valve - Exhaust
13	280687	Fan - Flywheel	62	262246	Spring - Exhaust Valve
14	398525	Insulator Assembly	63	26828	Retainer - Exhaust Valve Rotocoil
15	92791	Washer - Lock, Shakeproof	64	93630	Rotocoil - Exhaust Valve
16	93722	Terminal - Spade	65	292260	Tappet - Valve
17	90576	Nut - Hex 8-32	66	262248	Gear - Cam
18	26157	Spring - Throttle Adjustment	67	212897	Screw - Base Mtg. Sem
19	90200	Screw - Machine Fill. Hd. 8-32 x 1/2"	68	94305	Plug - Oil Drain
			69	91084	Seal - Oil
20	93572	Screw	70	291675	* Gasket - Crankcase Cover 1/64" thick
21	260695	Spring - Governor	71	271916	* Gasket - Crankcase Cover .005" thick
22	491594	Plate - Governor Control			* Gasket - Crankcase Cover .009" thick
23	221535	Clamp - Casing	71	271996	Base - Engine (Inc. Key No.'s 70 & 71)
24	93496	Screw - Sem			Cap and Dipstick - Oil Filler
26	262348	Link - Governor	71	271997	Seal - Oil Filler Cap
27	260584	Spring - Governor Link			Screw - Clamp Mtg.
28	93307	Retainer - E-Ring	72	490452	Clamp - Oil Filler Tube
29	93306	Cotter - Hair Pin	73	490327	Tube - Oil Filler
30	231058	Crank - Governor	74	270920	Seal - Filler Tube
31	222450	Washer - Governor Crank	75	93804	Fill Group - Oil (Inc. Key No.'s 73, 74, 75, 76, 77, & 78)
32	92613	Bolt - Governor lever	76	223721	Ring Set - Piston - Std.
33	231082	Nut - Hex 10-24	77	280741	Ring Set - Piston - .010" O.S.
34	490927	Lever Assy - Governor (Inc. Key No.'s 32 & 33) (For 1/4" Dia. Crank)	78	68838	Ring Set - Piston - .020" O.S.
			79	490474	Ring Set - Piston - .030" O.S.
35	212359	Link - Counterweight			Lock - Piston Pin
36	93875	Screw - Counterweight	80	394665	Piston Assy - Std. (Inc. Key No.'s 80 & 81)
37	298909	Pin - Counterweight	80	391781	Piston Assy - .010" O.S.
38	399891	Counterweight Assy (Inc. Key No. 37)	80	391782	Piston Assy - .020" O.S.
			80	391783	Piston Assy - .030" O.S.
39	490815	Oil Slinger, Governor Gear and Bracket Assy	81	260924	Lock - Connecting Rod Screw
			82	394661	Screw - Connecting Rod
40	490525	Gasket Set			Rod Assy - Connecting (Inc. Key No.'s 83 & 84) (For Connecting Rod with .020" Undersize Crank Pinbore Order No. 490469)
41	490450	Cylinder Assy (Inc. Key No.'s 42 & 43)	82	394662	Elbow - Spark Plug
			82	394663	Plug - Spark
42	399265	+Bearing - Cylinder	82	394664	Screw - Cylinder Head
43	391086	Seal - Oil	83	222299	Pin Assy - Piston - Std. (Inc. Key No. 81)
44	223715	Shield - Cylinder	84	92909	Pin Assy Piston .005" O.S.
45	93163	Screw - Cylinder Shield Mtg. Sem	85	490348	Head Cylinder
46	491490	Cover - Cylinder Head			Pin - Eccentric
47	271866	Gasket - Cylinder Head			Eccentric
48	261463	+Seat - Intake Valve	87	66538	Seal - Oil
49	210940	+Seat - Exhaust Valve	88	293918	Decal Set
50	261961	+Guide - Exhaust Valve	89	93723	
		NOTE: 231218 Guide - Intake Valve (Brass)	90	299691	
51	491986	Bushing - Governor Crank			
			90	391286	
			91	491491	
			92	94160	
			93	262243	
			94	491323	
			95	491255	

NOTE: All component dimensions given in U.S. inches.

1 inch = 25.4 mm

*Special Tools Required to Install

*Included in Gasket Set - Part No. 490525

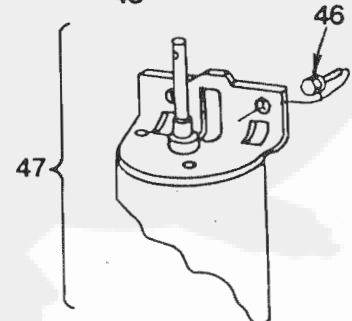
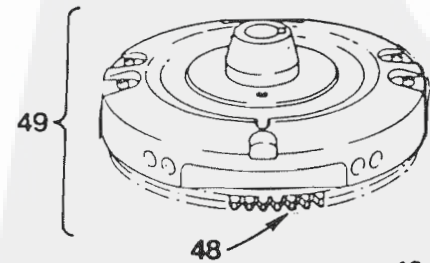
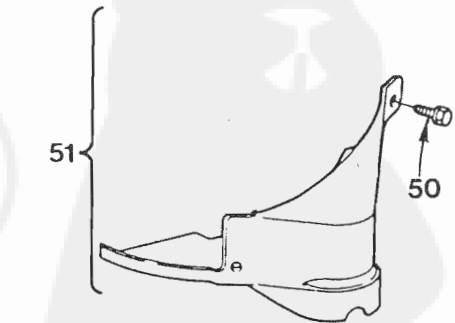
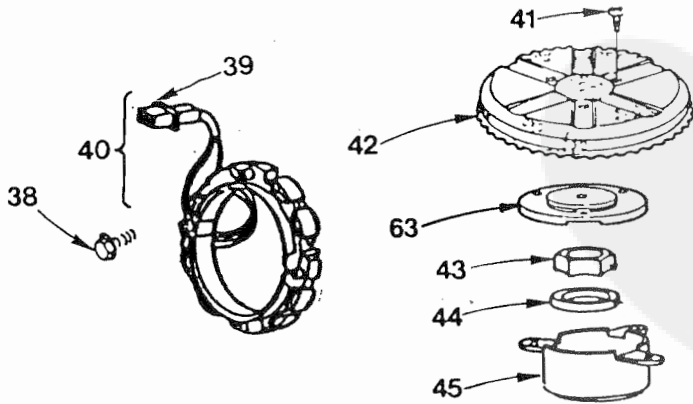
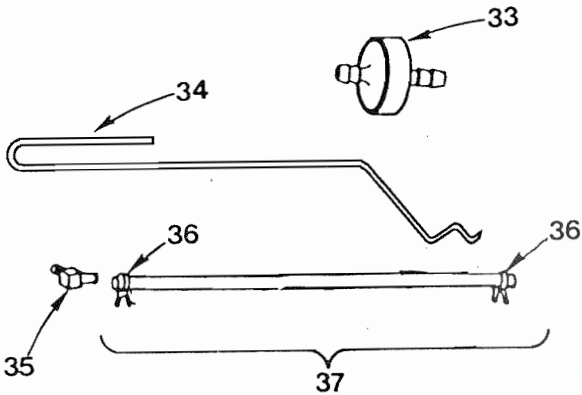
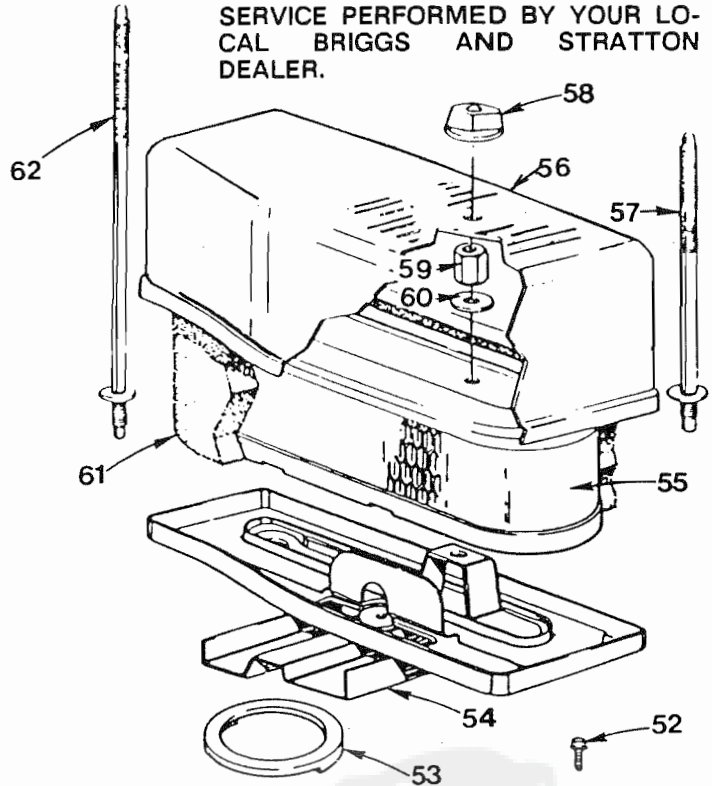
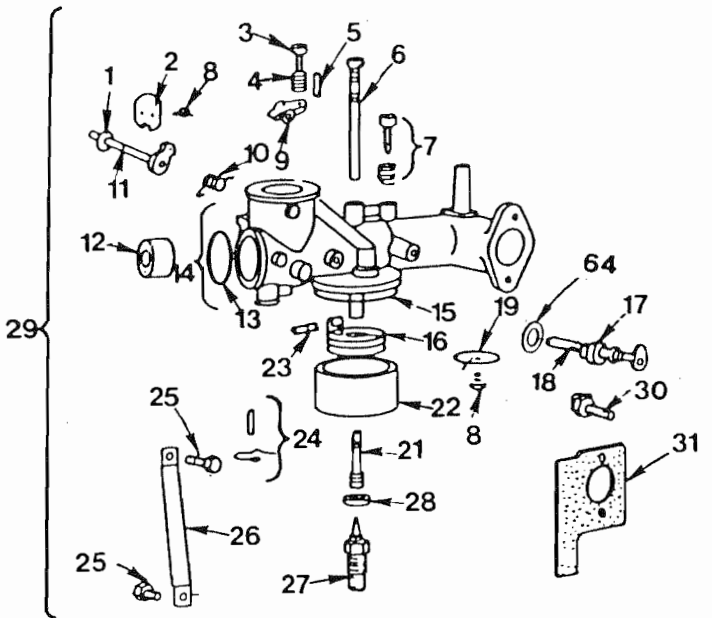
REPAIR PARTS

36" RIDING LAWN TRACTOR - - MODEL NUMBER L1970AR

AIR CLEANER AND CARBURETOR

BRIGGS AND STRATTON MODEL NUMBER 281707, TYPE NUMBER 0198-01

ALL ENGINE PARTS MUST BE PURCHASED THROUGH AND WARRANTY SERVICE PERFORMED BY YOUR LOCAL BRIGGS AND STRATTON DEALER.



REPAIR PARTS

36" RIDING LAWN TRACTOR - - MODEL NUMBER L1970AR

AIR CLEANER AND CARBURETOR

RIGGS & STRATTON - - MODEL NUMBER 281707, TYPE NUMBER 0198-01

KEY NO.	PART NO.	DESCRIPTION	KEY NO.	PART NO.	DESCRIPTION
1	270382	Washer - Choke Shaft	31	270872	* Gasket - Carburetor Mounting
2	222010	Valve Choke	33	298090	Filter - Fuel
3	91920	Screw - Machine, Fill. Hd. 8 32 5/8"	34	261610	Link - Choke
4	26157	Spring - Throttle Adjustment	35	67218	Connector - Fuel Pipe
5	93043	Pin - Throttle Shop	36	93053	Clamp - Fuel Pipe
6	299740	+Nozzle - Carburetor	37	393815	Line - Fuel (Inc. Key No. 36)
7	292681	+Valve Assy - Carburetor Idle	38	93621	Screw - Sem
8	93499	Screw - Throttle and Choke Valve Mtg. Sem	39	393456	Diode and Connector Assy
9	211712	Stop - Throttle	40	391529	Stator Assembly - Alternator (Inc. Key No. 39)
10	261116	Spring - Choke Return	41	393474	Screw - Sem
11	390684	Shaft and Lever - Choke	42	222562	Screen - Flush Rotating
12	211960	Venturi - Carburetor	43	92284	Nut - Hex
13	221997	Plug - Welch	44	224061	Washer - Spring
14	490473	Body Assy Carburetor (Inc. Key No. 13)	45	222561	Cup - Screen Mounting
15	270511	Gasket - Float Bowl	46	93535	Screw - Sem
16	299707	Float - Carburetor	47	490420	Motor & Drive Assy (Inc. Key No. 46)
17	398970	Seal - Throttle Shaft	48	392134	Gear - Ring
18	491006	Shaft and Lever - Throttle	49	492326	Flywheel and Ring Gear Assy - Magneto (Inc. Key No. 48)
19	222433	Valve - Throttle	50	93984	Screw - Sem
21	231323	+Screw - Nozzle	51	490324	Cover - Starter (Inc. Key No. 50)
22	221995	Bowl - Float	52	94018	Screw - Sem
23	230896	+ Pin - Float Hinge	53	270853	Gasket - Air Cleaner
24	394681	+ Valve - Fuel Inlet	54	490332	Body - Air Cleaner
25	93572	Screw	55	399806	Cartridge - Air Cleaner
26	222311	Bracket - Carburetor	56	223700	Cover - Air Cleaner
27	396568	+Valve - Needle	57	94246	Stud - Air Cleaner
28	222014	+Washer - Float Bowl	58	212706	Knob - Air Cleaner
29	491031	Carburetor Assy (Inc. Key No.'s 1,2,3,4,5,6,7,8,&28)	59	231532	Nut - Air Cleaner Mtg.
30	93357	Screw Carburetor Mtg.	60	94249	Washer - Air Cleaner
			61	271962	Element - Air Cleaner
			62	94248	Stud - Air Cleaner
			63	280848	Spacer - Screen
			64	271853	Washer - Foam

+Included in Carburetor Overhaul Kit - Part No. 394698

* Included in Gasket Set - Part No. 490525

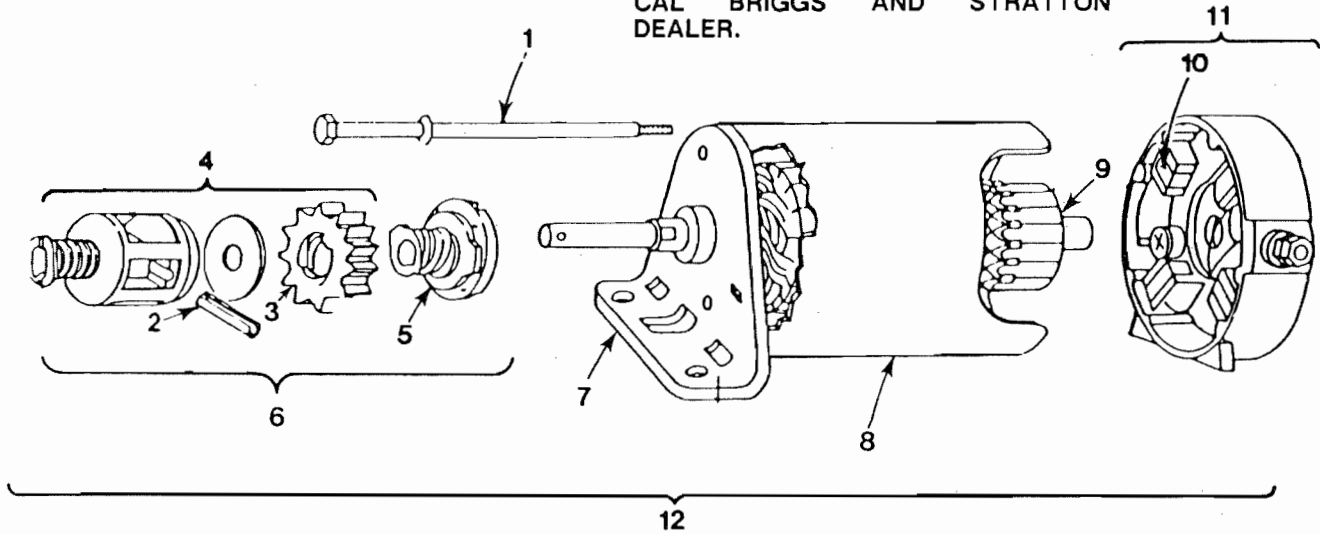
REPAIR PARTS

36" RIDING LAWN TRACTOR - - MODEL NUMBER L1970AR

ALTERNATOR AND STARTER MOTOR GROUP

BRIGGS & STRATTON - - MODEL NUMBER 281707, TYPE NUMBER 0198-01

ALL ENGINE PARTS MUST BE PURCHASED THROUGH AND WARRANTY SERVICE PERFORMED BY YOUR LOCAL BRIGGS AND STRATTON DEALER.



KEY NO.	PART NO.	DESCRIPTION	KEY NO.	PART NO.	DESCRIPTION
1	94004	Thru Bolt Assembly	7	394857	End Cap Assembly Drive
2	94288	Roll Pin	8	394544	Housing Assy
3	280104	Gear	9	391160	Armature Assy
4	490467	Retainer Kit (Inc. Key No.'s 3, 4 & 6)	10	395538	Brush Assy
5	398003	Clutch Assembly	11	395537	End Cap Assy Commutator (Inc. Key No. 10)
6	490421	Drive Assembly (Inc. Key No.'s 2,3,4,&5)	12	490420	Motor & Drive Assy (Inc. Key No.'s 1,2,3,4,5,6,7,8,9,10&11)