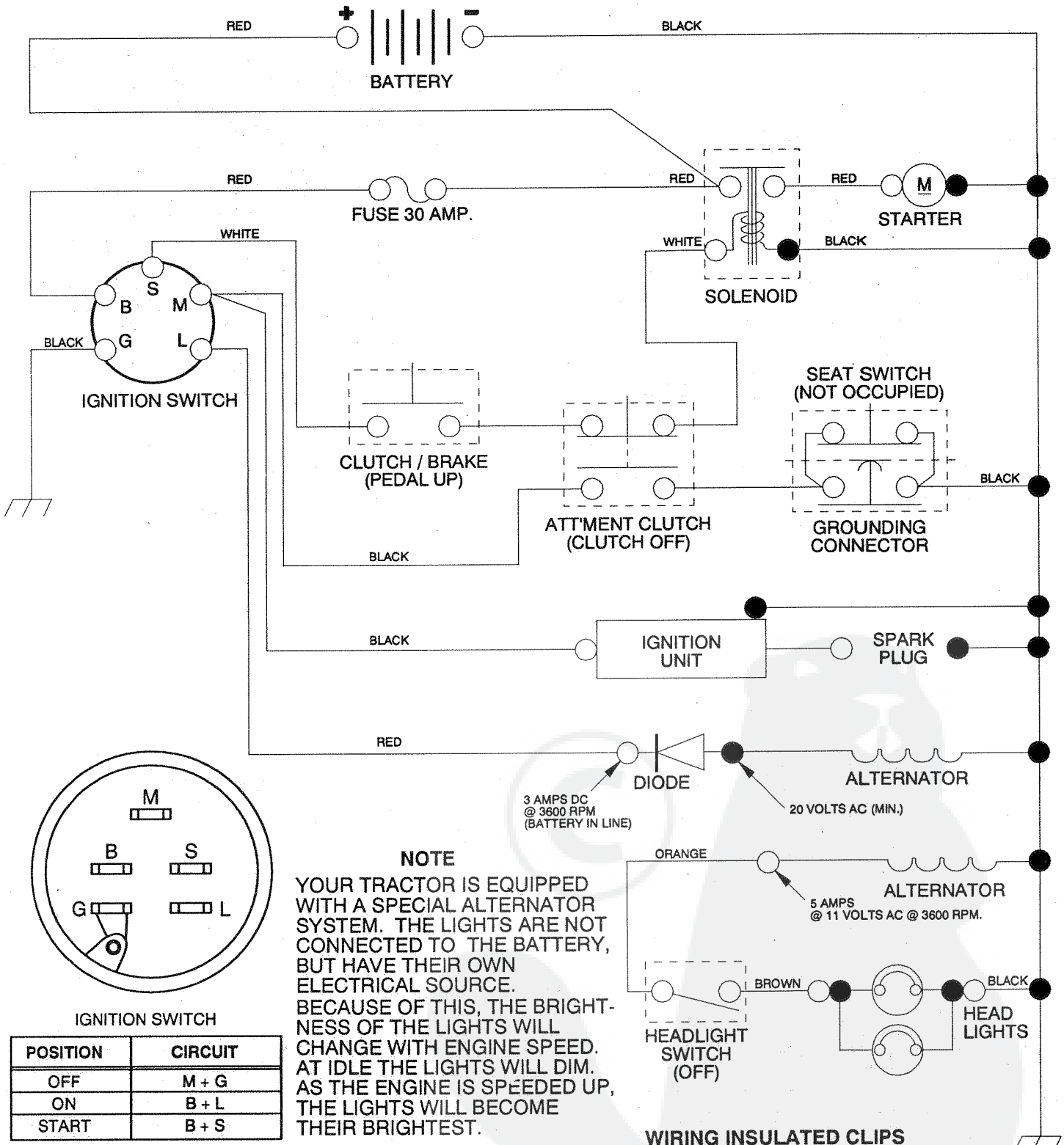


12 HP 38" TRACTOR - - MODEL NUMBER 2E3B3A

SCHEMATIC



NOTE
 YOUR TRACTOR IS EQUIPPED WITH A SPECIAL ALTERNATOR SYSTEM. THE LIGHTS ARE NOT CONNECTED TO THE BATTERY, BUT HAVE THEIR OWN ELECTRICAL SOURCE. BECAUSE OF THIS, THE BRIGHTNESS OF THE LIGHTS WILL CHANGE WITH ENGINE SPEED. AT IDLE THE LIGHTS WILL DIM. AS THE ENGINE IS SPEEDED UP, THE LIGHTS WILL BECOME THEIR BRIGHTEST.

IGNITION SWITCH

POSITION	CIRCUIT
OFF	M + G
ON	B + L
START	B + S

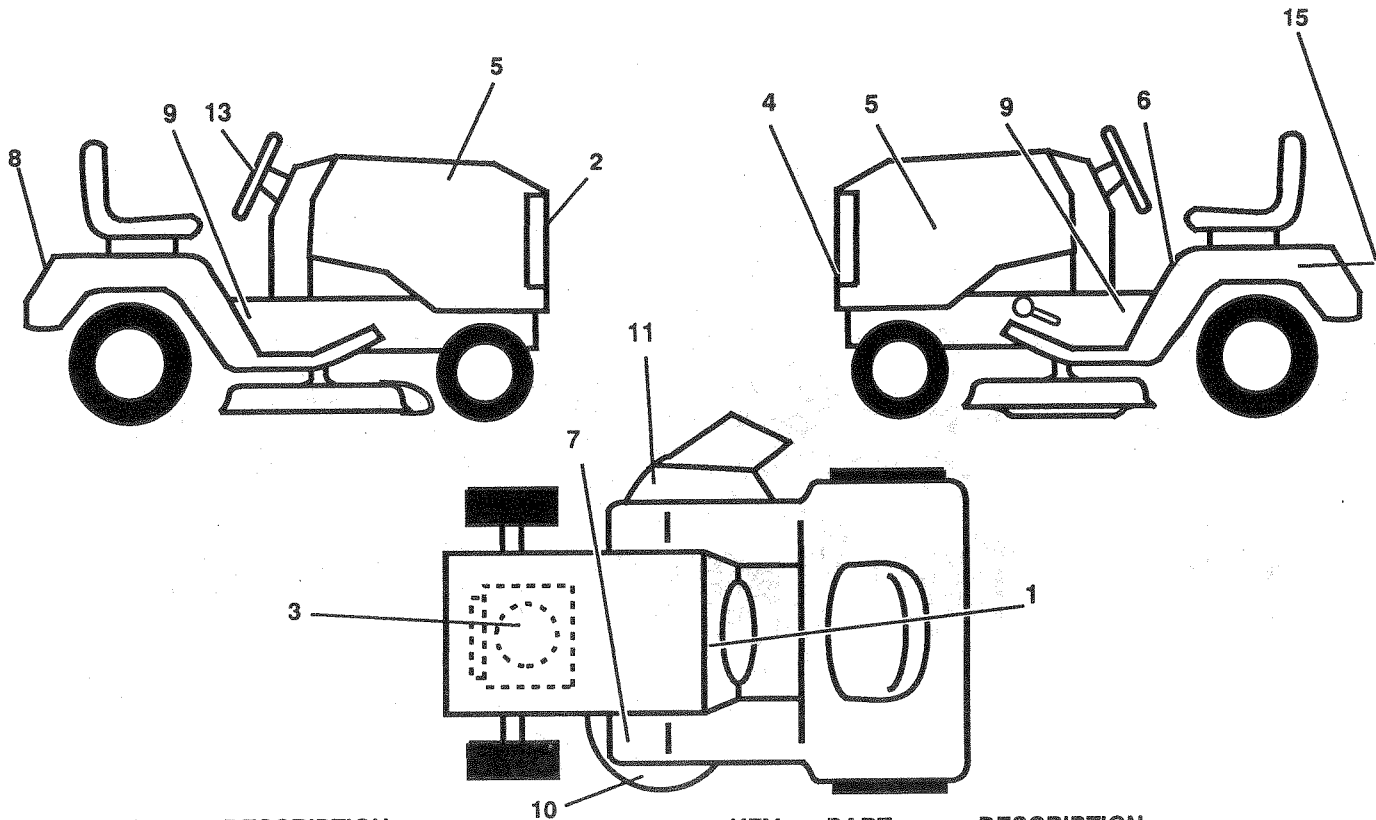
● NON-REMOVABLE CONNECTIONS ○ REMOVABLE CONNECTIONS

WIRING INSULATED CLIPS
 NOTE: If wiring insulated clips were removed for servicing of unit, they should be replaced to properly secure your wiring.

REPAIR PARTS

12 HP 38" TRACTOR -- MODEL NUMBER 2E3B3A

DECALS



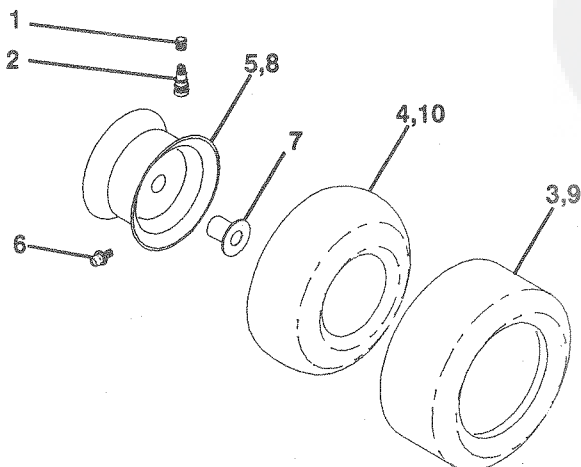
KEY NO.	PART NO.	DESCRIPTION
1	136795	Decal, Operation instructions (Eng/Fr)
2	132627	Decal, Grille Logo
3	120601X	Decal, HP, Engine
4	129823	Decal, Grille (stripe)
5	127033	Decal, HP, Hood
6	133795	Decal, Caution (Eng/Fr)
7	101892X	Decal, Clutch/brake (Eng/Fr)
8	132628	Decal, Logo, Fender
9	127035	Decal, Chassis 6 sp 38"
10	135013	Decal, Enviro, Deck

KEY NO.	PART NO.	DESCRIPTION
11	137259	Decal, Warning
13	127975	Decal, Steering wheel cap
15	121549X	Decal, Caution, Battery
--	137372	Manual, Operator's

Available accessories not included with mower:

- C38 Grass catcher
- SB20 40" Snow thrower
- BD20 42" Snow blower
- LC05 33 lb. Wheel weights (pair)
- CH12 Tire chains

WHEELS & TIRES



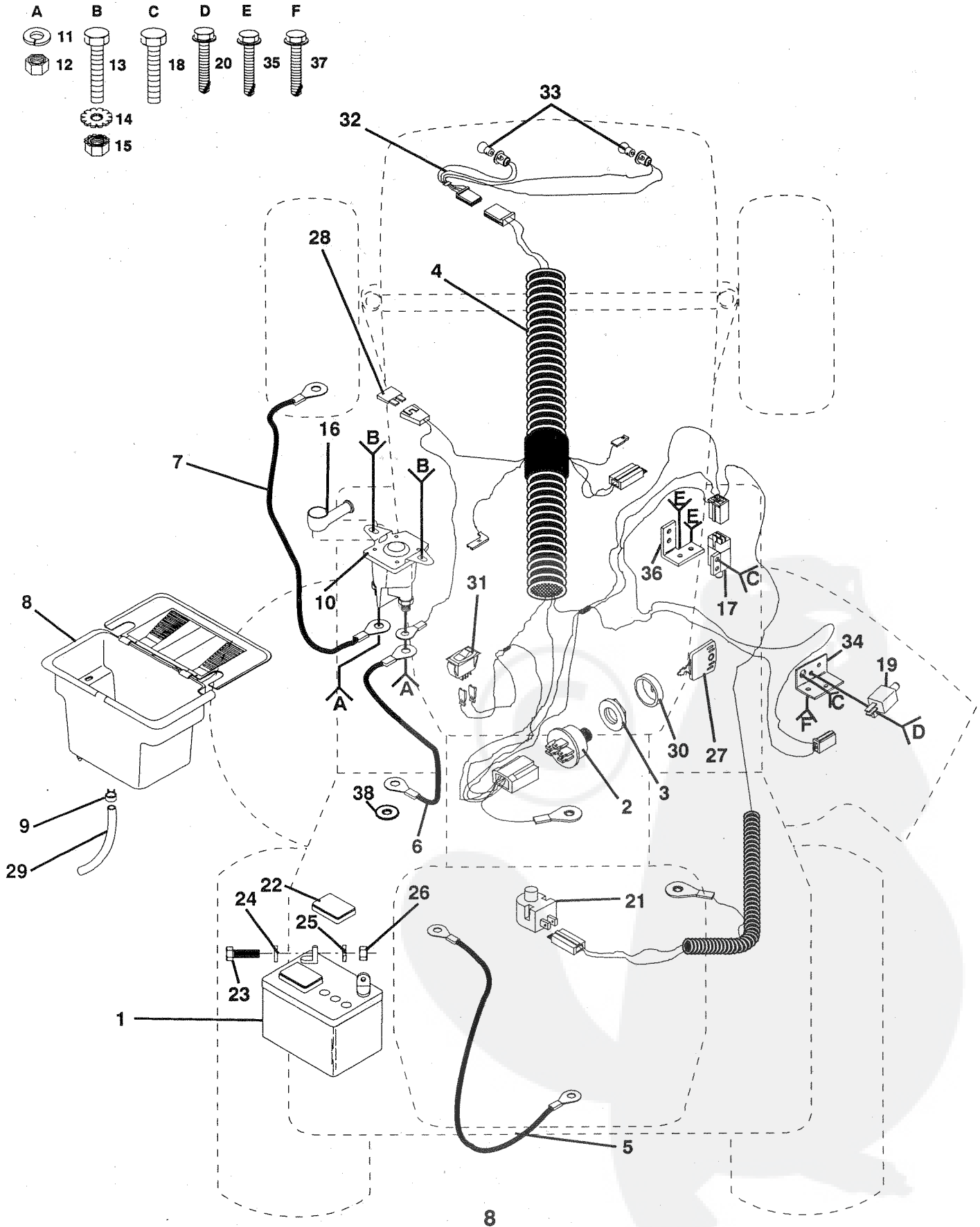
KEY NO.	PART NO.	DESCRIPTION
1	59192	Cap, Tire valve
2	65139	Stem, Valve
3	106222X	Tire, Front
4	59904	Tube, Front (Service item only)
5	106732X311	Rim assembly, 6" front
6	278H	Fitting, Grease (Front wheel only)
7	9040H	Bearing, Flange (Front wheel only)
8	106108X311	Rim assembly, 8" rear
9	124635X	Tire, Rear
10	7152J	Tube, Rear (Service item only)

NOTE: All component dimensions given in U.S. inches - 1 inch = 25.4 mm.

REPAIR PARTS

12 HP 38" TRACTOR -- MODEL NO. 2E3B3A

ELECTRICAL



REPAIR PARTS

12 HP 38" TRACTOR - - MODEL NO. 2E3B3A

ELECTRICAL

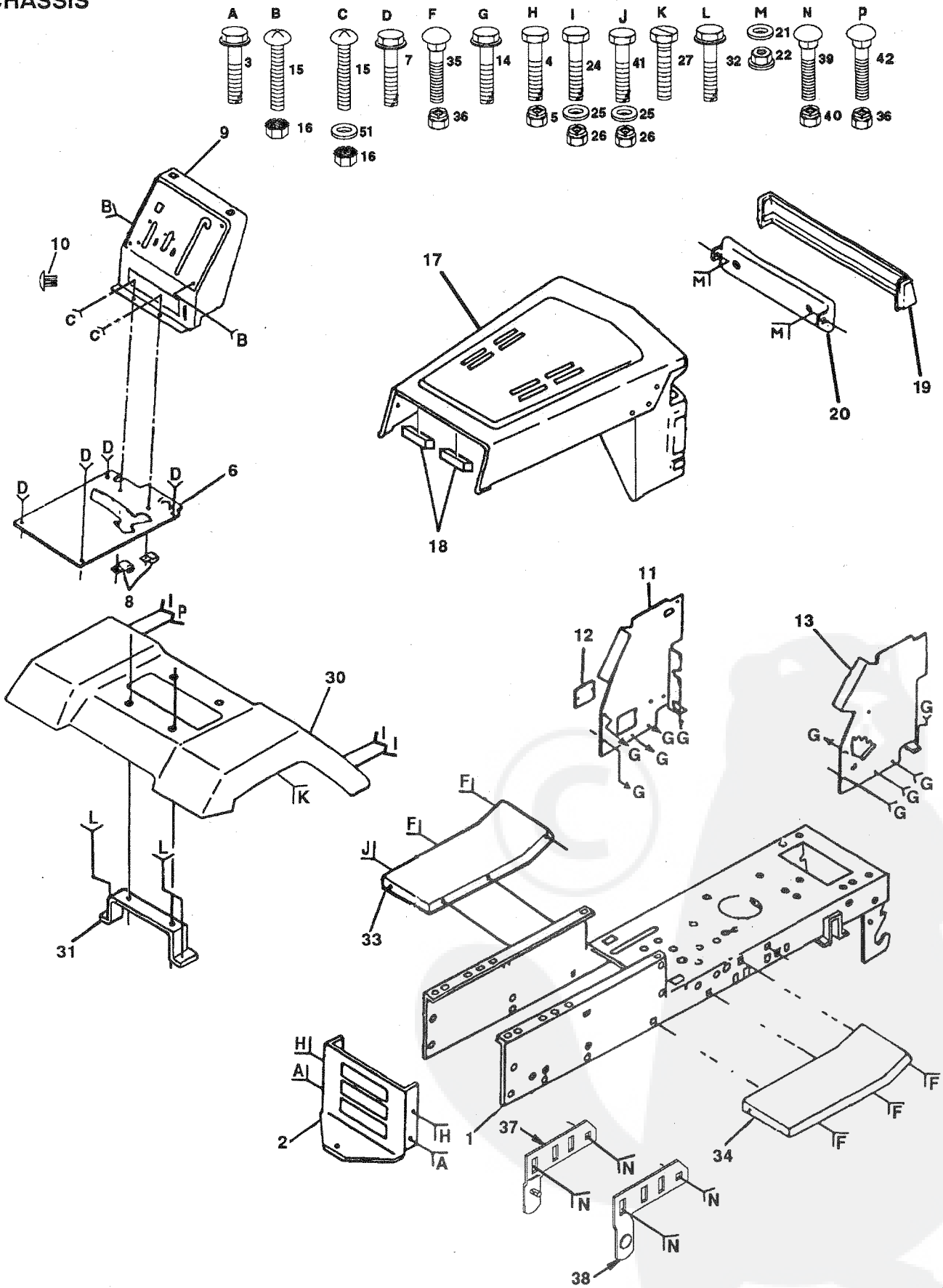
KEY NO.	PART NO.	DESCRIPTION
1	121265X	Battery 12 VOLT 25 AMP
2	4406R	Switch Ign 5 Term Wo/wash/nut
3	124211X	Nut Ignition
4	132017	Harness Ign Bs Dash Headlights
5	4207J	Cable Ground 6 Ga 12"black
6	132202	Cable Battery 6 Ga 43"red
7	4799J	Cable Battery 6 Ga 11"red
8	129965	Case Battery Hng Mech W/lid
9	109596X	CLAMP Hose Olive
10	109081X	Solenoid
11	10090400	Washer Lock 1/4
12	73350400	Nut Jam Hex 1/4-20 Unc
13	74780408	Bolt Fin Hex 1/4-20uncx1/2 Gr5
14	11050400	Washer Lock Ext Tooth 1/4
15	73510400	Nut Keps Hex 1/4-20 Unc
16	131563	Cover Terminal Red
17	109553X	Switch Intlk Clutch Red 4 Term
18	17021008	Screw Tap Hex #10-24unc X 1/2
19	104445X	Switch Intlk Clutch Red 2 Term
20	17021008	Screw Tap Hex #10-24unc X 1/2
21	121305X	Switch Plunger
22	121264X	Caps Battery 20/25/30 AMP
23	74760412	Bolt Hex Hd 1/4-20unc X 3/4
24	19091016	Washer 9/32 X 5/8 X 16 Ga
25	10040400	Washer Lock Hvy Helical 1/4
26	73220400	Nut Fin Hex 1/4-20 Unc
27	7552H	Key Ignition
28	108824X	Fuse 30 AMP Auto Green
29	109238X	Tube Plastic 12"
30	123620X	Cover Sw Key Blk 1 25 Text SLT
31	110712X	Switch Light Blk Blk Red
32	136850	Harness Asm Light W/4152j
33	4152J	Bulb Light #1156
34	108236X	Bracket Switch Clutch
35	17021008	Screw Tap Hex #10-24unc X 1/2
36	130890	Bracket Switch Interlock
37	17021008	Screw Tap Hex #10-24unc X 1/2
38	11150400	Washer Lock Internal Tooth 1/4

NOTE: All component dimensions given in U.S. inches - 1 inch = 25.4 mm.

REPAIR PARTS

12 HP 38" TRACTOR -- MODEL NO. 2E3B3A

CHASSIS



REPAIR PARTS

12 HP 38" TRACTOR - - MODEL NO. 2E3B3A

CHASSIS

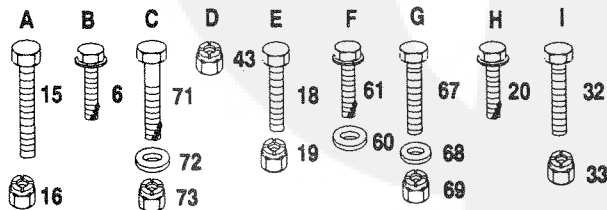
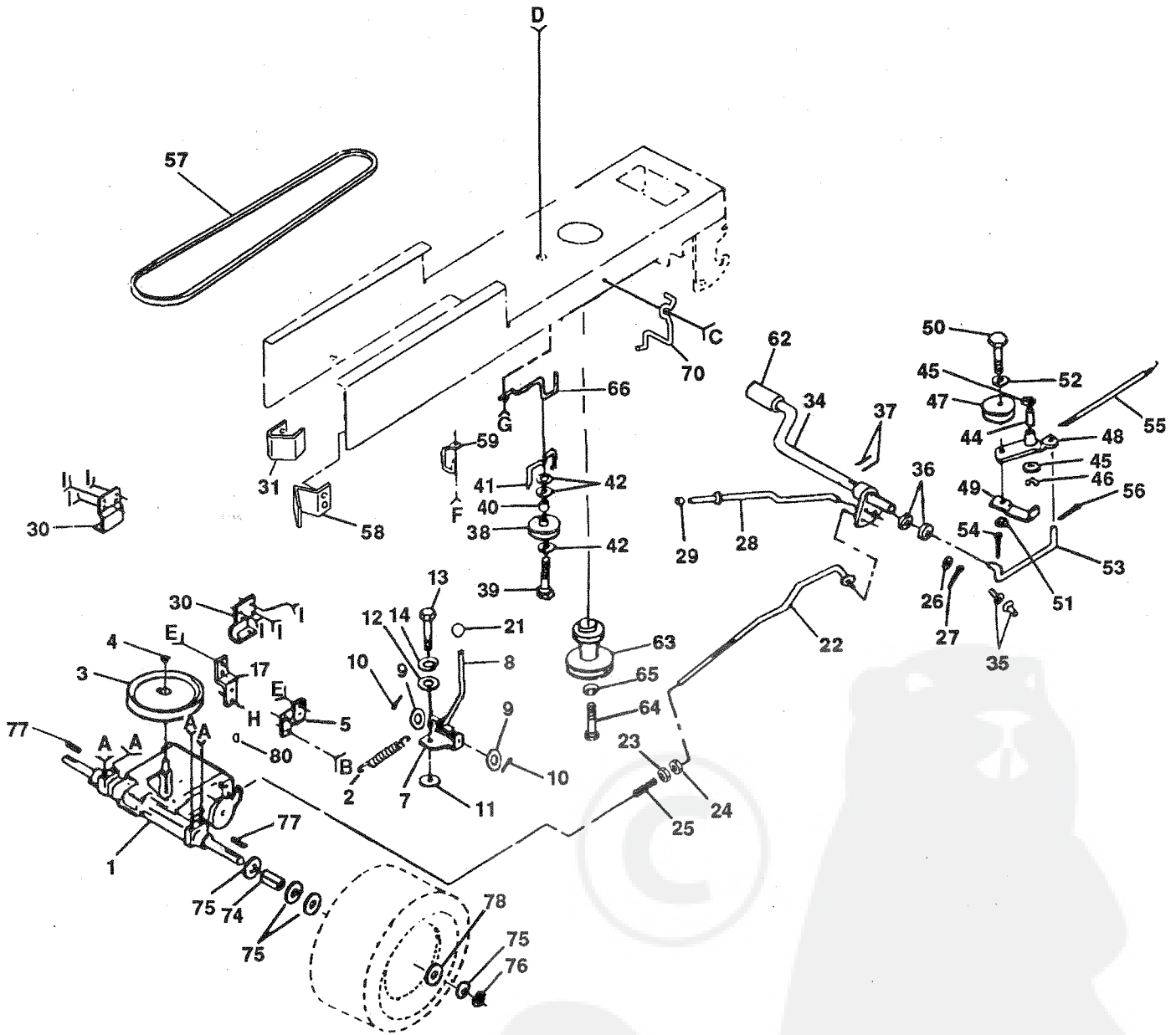
KEY NO.	PART NO.	DESCRIPTION
1	135034	Chassis Wldmt 12 Ga 38/42 W/pvt
2	127866	Drawbar LT/YT 11 Ga
3	17490612	Screw Thdrol 3/8-16x3/4 Ty-tt
4	74760612	Bolt Fin Hex 3/8-16unc X 3/4
5	73680600	Nut Crownlock 3/8-16 Unc
6	124466X017	Saddle Silkscreen W/o HGT Adj
7	17490608	Screw Thdrol 3/8-16x1/2 Ty-tt
8	2751R	Clip Line Fuel 13/32 Mtg Hole
9	137411X012	Dash Silscr 1-pc M W/i N/c Sym
10	5479J	Plug Button Blk 359 Dia Choke
11	122795X	Panel Dash LH
12	121794X	Cover Access Black Square
13	124031X	Panel Silscr Dash RH Wld Notch
14	17490608	Screw Thdrol 3/8-16x1/2 Ty-tt
15	74180512	Screw Mach TRHD 5/16-18uncx3/4
16	73510500	Nut Keps 5/16-18 Unc
17	133956	Hood/grille Asm Silscr Welded
18	126938X	Bumper Hood
19	133954	Kit Lens Service
20	132257	Bezel Light
21	19091216	Washer 9/32 X 3/4 X 16 Ga.
22	108067X	Nut Pal
24	74760612	Bolt Fin Hex 3/8-16unc X 3/4
25	19131312	Washer 13/32 X 13/16 X 12 Ga
26	73680600	Nut Crownlock 3/8-16 Unc
27	17490608	Screw Thdrol 3/8-16x1/2 Ty-tt
30	109872X505	Fender Pnt LT W/o Shift(red)
31	136619	Bracket Fender Repl 109873x
32	17490612	Screw Thdrol 3/8-16x3/4 Ty-tt
33	105476X505	Footrest Pnt LH Perf (Red)
34	105475X505	Footrest Pnt RH Perf (Red)
35	72110606	Bolt Rdhd Sht Sqnk 3/8-16 X3/4
36	73680600	Nut Crownlock 3/8-16 Unc
37	134618	Bracket Asm Pvt38 LH MWR Rear
38	134617	Bracket Asm Pvt38 RH MWR Rear
39	72140606	Bolt Rdhd Sqnk 3/8-16unc X3/4
40	73800600	Nut Lock Hex W/wsh 3/8-16unc
41	74760614	Bolt, Hex 3/8-16 x 7/8
42	72140608	Bolt, Carriage 3/8-16 x 1
51	19131216	Washer 13/32 X 3/4 X 16 Ga

NOTE: All component dimensions given in U.S. inches - 1 inch = 25.4 mm.

REPAIR PARTS

12 HP 38" TRACTOR -- MODEL NO. 2E3B3A

DRIVE



REPAIR PARTS

12 HP 38" TRACTOR -- MODEL NO. 2E3B3A

DRIVE

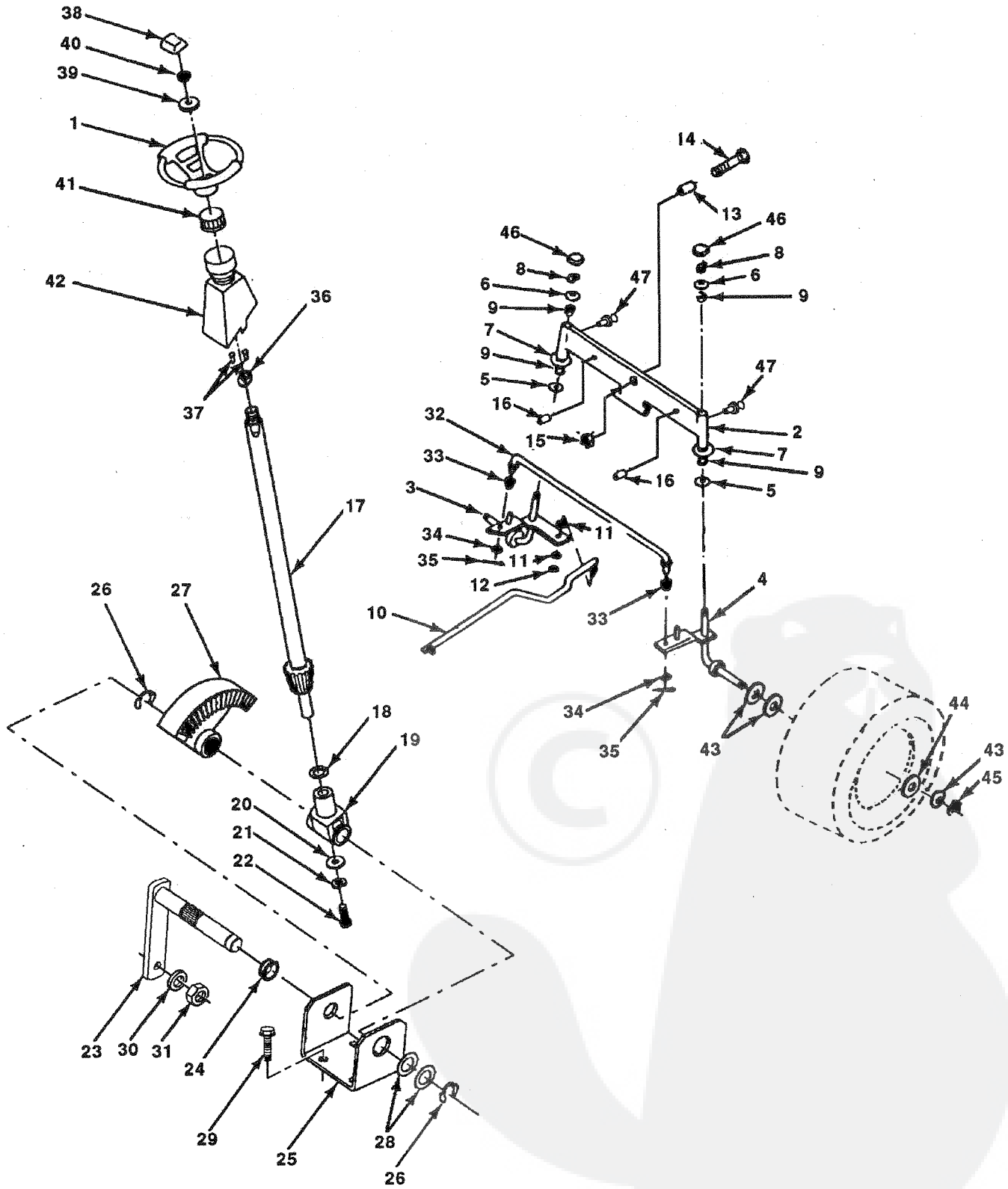
KEY NO.	PART NO.	DESCRIPTION	KEY NO.	PART NO.	DESCRIPTION
1	-----	Transaxle 6sp Std D4360	41	109070X	Keeper Belt Retainer
2	110422X	Spring Return Brake T/a Zinc	42	19131312	Washer 13/32 X 13/16 X 12 Ga
3	123666X	Pulley Transaxle 18"tires	43	73680600	Nut Crownlock 3/8-16 Unc
4	12000028	Ring Retainer # 5100-62	44	105706X	Bearing Nyl 503 X 628 X 1 25
5	121520X	Strap Torque 30 Degrees	45	110812X	Washer Hardened
6	17490512	Screw Thdrol 5/16-18 X 3/4 TYT	46	12000039	Ring Klip #t5304-50
7	106919X	Plate Rod Shift T/a	47	127783	Pulley Idler V Groove Plastic
8	124461X	Rod Shifter Blk (Dana)	48	123789X	Bellcrank Asm Clutch
9	19151216	Washer 15/32 X 3/4 X 16 Ga	49	123205X	Retainer Belt Style Spring
10	76020416	Pin Cotter 1/8 X 1 Cad	50	74760624	Bolt Hex Hd 3/8-16unc X 1-1/2
11	105701X	Washer Plate Shf 388 Sq Hole	51	73680600	Nut Crownlock 3/8-16 Unc
12	19091210	Washer 9/32 X 3/4 X 10 Ga	52	19131316	Washer 13/32 X 13/16 X 16 Ga
13	71040412	Bolt Fin Hex 1/4-28unfx3/4 Gr8	53	105710X	Link Clutch 7 66
14	10040400	Washer Lock Hvy Helical 1/4	54	76020412	Pin Cotter 1/8 X 3/4 Cad
15	74760644	Bolt Fin Hex 3/8-16unc X 2-3/4	55	105709X	Spring Return Clutch 6 75
16	73680600	Nut Crownlock 3/8-16 Unc	56	76020412	Pin Cotter 1/8 X 3/4 Cad
17	121520X	Strap Torque 30 Degrees	57	125907X	V-Belt Ground Drive 90 00
18	74760612	Bolt Fin Hex 3/8-16unc X 3/4	58	127274X	Keeper Belt RH LT Pnt/zinc 16g
19	73680600	Nut Crownlock 3/8-16 Unc	59	136715	Keeper Belt Chassis Span Ctr
20	17490512	Screw Thdrol 5/16-18 X 3/4 TYT	60	19131312	Washer 13/32 X 13/16 X 12 Ga
21	106933X	Knob Rd 1/2-13 Plstc Thds Blk	61	17490612	Screw Thdrol 3/8-16x3/4 Ty-tt
22	131867	Rod Brake LT	62	8883R	Cover Pedal Blk Round
23	73800600	Nut Lock Hex W/wsh 3/8-16unc	63	134825	Engine Pulley LT/YT
24	73350600	Nut Hex Jam 3/8-16 Unc	64	71170764	Bolt Hex 7/16-20x4 Gr 5
25	106888X	Spring Rod Brake 2 00 Zinc	65	10040700	Washer Lock Hvy Hlcl Spr 7/16
26	19131316	Washer 13/32 X 13/16 X 16 Ga	66	129921	Keeper Belt Engine LH LT
27	76020412	Pin Cotter 1/8 X 3/4 Cad	67	74760616	Bolt Fin Hex 3/8-16unc X 1
28	128904	Rod Brake Parking LT	68	19131312	Washer 13/32 X 13/16 X 12 Ga
29	71673	Cap Brake Parking Black	69	73680600	Nut Crownlock 3/8-16 Unc
30	109167X	Bracket Transmission	70	134683	Guide Belt Mower Drive RH
31	127275X	Keeper Belt LH LT 14 Ga	71	74760616	Bolt Fin Hex 3/8-16unc X 1
32	74760612	Bolt Fin Hex 3/8-16unc X 3/4	72	19132012	Washer 13/32 X 1-1/4 X 12 Ga
33	73680600	Nut Crownlock 3/8-16 Unc	73	73680600	Nut Crownlock 3/8-16 Unc
34	122424X	Shaft Asm Pedal Foot 1 930	74	109502X	Spacer Split 80x1 94 Cad/zinc
35	120183X	Bearing Nylon Blk 629 Id	75	121749X	Washer 25/32 X 1 1/4 X 16 Ga
36	19211616	Washer 21/32 X 1 X 16 Ga	76	12000001	E-ring #5133-75
37	1572H	Pin Roll 3/16 X 1"	77	123583X	Key Square 2 0 X 1845/ 1865
38	123674X	Pulley Idler Flat	78	121748X	Washer 25/32 X 1-5/8 X 16 Ga
39	74760644	Bolt Fin Hex 3/8-16unc X 2-3/4	80	2228M	Key Woodruff #9 3/16 X 3/4
40	4470J	Spacer Split 395 X 59 Bzp			

NOTE: All component dimensions given in U.S. inches - 1 inch = 25.4 mm.

REPAIR PARTS

12 HP 38" TRACTOR -- MODEL NO. 2E3B3A

STEERING



REPAIR PARTS

12 HP 38" TRACTOR - - MODEL NO. 2E3B3A

STEERING

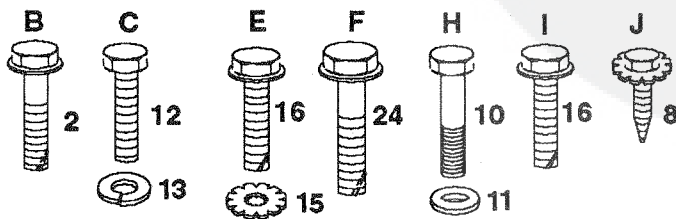
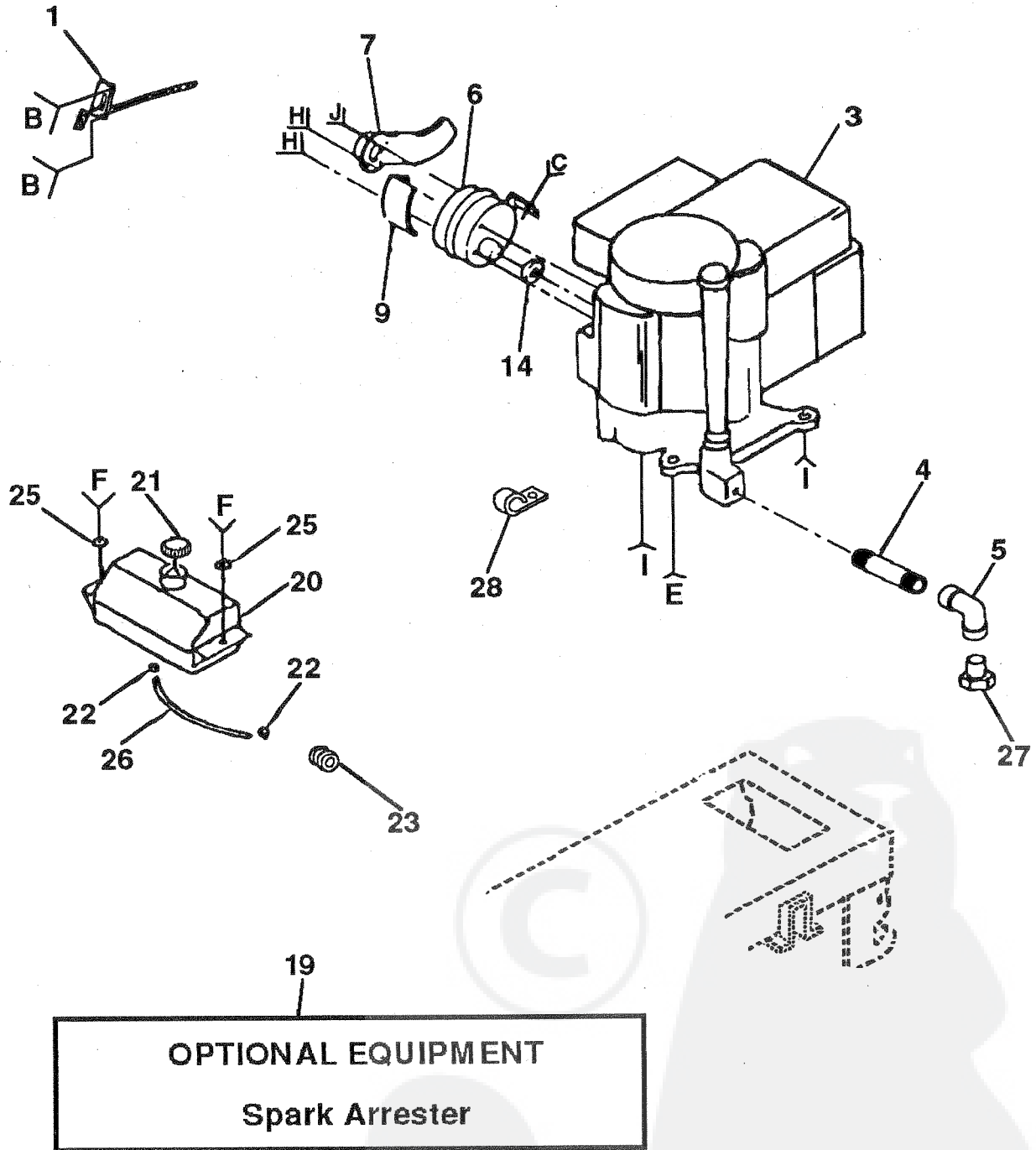
KEY NO.	PART NO.	DESCRIPTION
1	133741	Wheel Steering Ayp/kelch Blk
2	133988	Axle Asm Fr LT W/gzks 38/42
3	135227	Spindle Asm LH
4	135228	Spindle Asm RH
5	6266H	Bearing Race Thrust Harden
6	121748X	Washer 25/32 X 1-5/8 X 16 Ga
7	19272016	Washer 27/32 X 1-1/4 X 16 Ga
8	12000029	Ring Klip #t5304-75
9	3366R	Bearing Col Strg Blk
10	130468	Link Drag Sol Ball Jt 20 064
11	10040600	Washer Lock Hvy Hlcl Spr 3/8
12	73610600	Nut Fin Hex 3/8-24 Unf
13	110438X	Spacer Bearing Axle Front
14	74011056	Bolt Hex 5/8-11 Unc X 3-1/2
15	73901000	Nut Lock Flange 5/8-11 Unc
16	132624	Pin Axle 5/8 X 1 55/1 54 Lg
17	132614	Shaft Asm Strg 5/8 X 15 19 LT
18	57079	Washer Thrust 515x 750x 033
19	124035X	Support Shaft
20	126684X	Washer Shim 1/4 X 5/8 X 062
21	10040400	Washer Lock Hvy Helical 1/4
22	71070410	Screw Hex Socket 1/4-20 X 5/8
23	127501	Shaft Asm Pittman
24	109816X	Nyliner Snap In
25	124036X	Bracket Steering
26	12000029	Ring Klip #t5304-75
27	124034X	Gear Sector
28	6266H	Bearing Race Thrust Harden
29	17490612	Screw Thdrol 3/8-16x3/4 Ty-tt
30	10040600	Washer Lock Hvy Hlcl Spr 3/8
31	73610600	Nut Fin Hex 3/8-24 Unf
32	130465	Rod Tie Wire Form 19 75 Mech
33	126847X	Bushing Link Drag Blk LR
34	19131416	Washer 13/32 X 7/8 X 16 Ga
35	76020412	Pin Cotter 1/8 X 3/4 Cad
36	132196	Bushing Strg 5/8 Id Dash
37	17431008	Screw Slftp #10-16 X 1/2 Ty-b
38	133742	Cap Wheel Steer Ayp/kelch Blk
39	19133808	Washer 13/32 X 2-3/8 X 8 Ga
40	7810H	Nut Lock Center 3/8-24unf
41	104820X	Adaptor Wheel Strg 640/ 635id
42	124418X	Boot Shaft Steering Blk
43	121749X	Washer 25/32 X 1 1/4 X 16 Ga
44	121748X	Washer 25/32 X 1-5/8 X 16 Ga
45	12000029	Ring Klip #t5304-75
46	121232X	Cap Spindle Fr Top Blk
47	6855M	Fitting Grease

NOTE: All component dimensions given in U.S. inches - 1 inch = 25.4 mm.

REPAIR PARTS

12 HP 38" TRACTOR -- MODEL NO. 2E3B3A

ENGINE



REPAIR PARTS

12 HP 38" TRACTOR - - MODEL NO. 2E3B3A

ENGINE

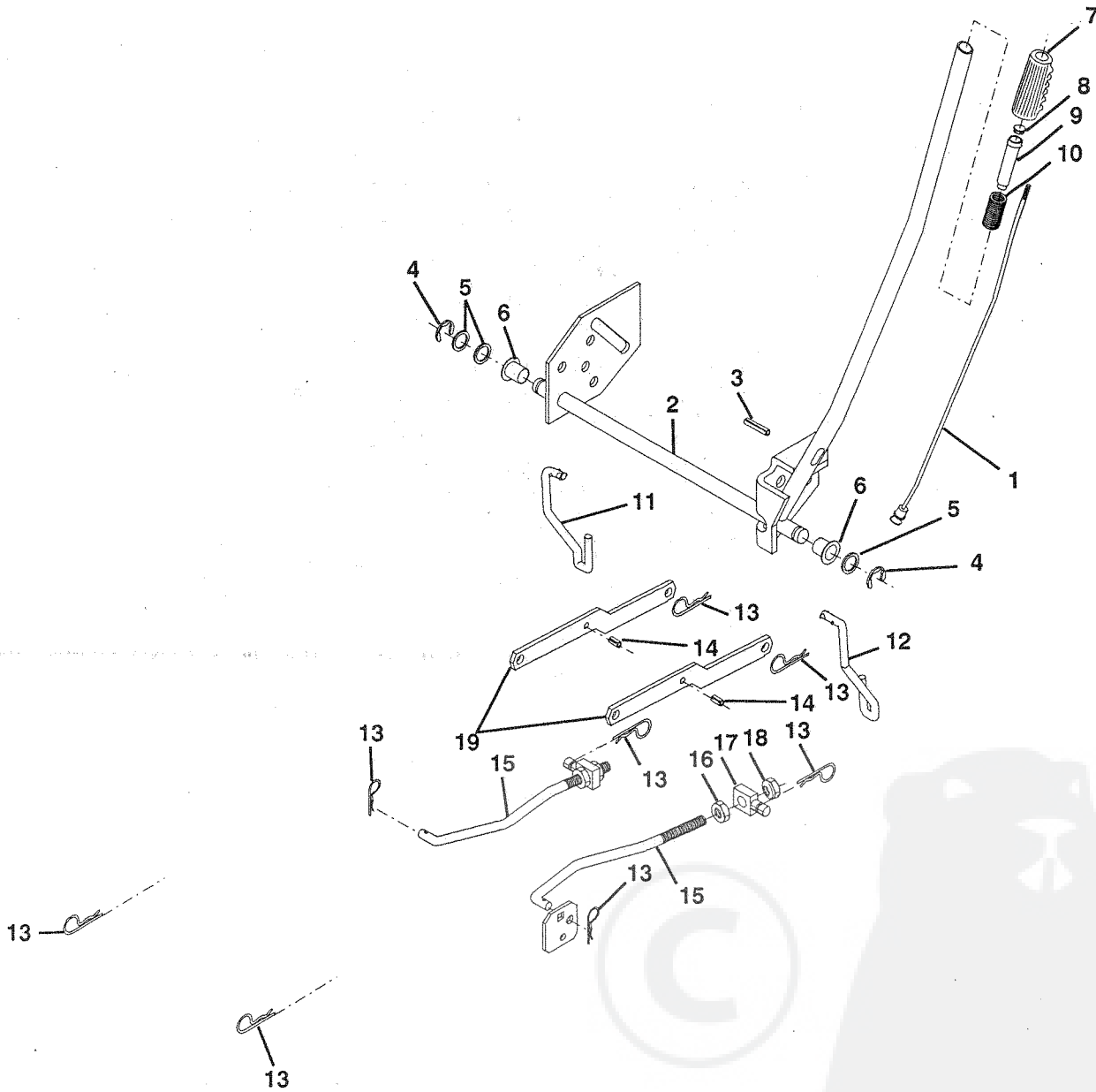
KEY NO.	PART NO.	DESCRIPTION
1	132771	Control Th/ch RH Blk Tee 15 10
2	17720410	Screw Hex Thd Cut 1/4-20x5/8 T
3	-----	Engine B&S 12HP I/c Dual 1 Vt
4	13280324	Nipple Pipe 3/8 Npt X 3"
5	13200300	Elbow Std 90 Degree 3/8-18 Npt
6	101273M	Muffler Exhaust B&S Lc
7	108767X	Deflector Asm Muffler
8	17030808	Screw Spiderloc Hexhd#8x1/2 Ab
9	101159L	Shield Ht Muff 2 20 Alum Lcost
10	74780556	Bolt Fin Hex 5/16-18unc X3-3/8
11	19111012	Washer 11/32 X 5/8 X 12 Ga
12	74780408	Bolt Fin Hex 1/4-20uncx1/2 Gr5
13	10040400	Washer Lock Hvy Helical 1/4
14	125593X	Gasket Eng 1 313 Id Tin Plated
15	11050600	Washer Lock Ext Tooth 3/8
16	17490620	Screw Thdrol 3/8-16x1-1/4 TYTT
19	137180	Kit Spark Arrestor (Flat Scrn)
20	109202X	Tank Fuel Front
21	123549X	Cap Asm Fuel
22	123487X	Clamp Hose
23	124028X	Bushing Snap Nyl Blk Fuel Line
24	17490612	Screw Thdrol 3/8-16x3/4 Ty-tt
25	19131612	Washer 13/32 X 1 X 12 Ga
26	8548R	Line Fuel 13"
28	2751R	Clip Line Fuel 13/32 Mtg Hole
-	-	Oil Drain Plug (Order From Engine Manufacturer)

NOTE: All component dimensions given in U.S. inches - 1 inch = 25.4 mm.

REPAIR PARTS

12 HP 38" TRACTOR -- MODEL NO. 2E3B3A

MOWER LIFT



KEY NO.	PART NO.	DESCRIPTION
1	122514X	Rod Asm Lever 9 219 Bend Stake
2	122507X	Shaft Asm Lift 9 680
3	105767X	Pin Groove 1 500 Zinc
4	12000002	E Ring #5133-62
5	19211416	Washer 21/32 X 7/8 X 16 Ga
6	120183X	Bearing Nylon Blk 629 Id
7	109413X	Grip Handle Bicycle Matte Blk
8	124526X	Button Plunger Black
9	122364X	Plunger Lever Lift
10	122512X	Spring Cprsn 3 750 Oiled

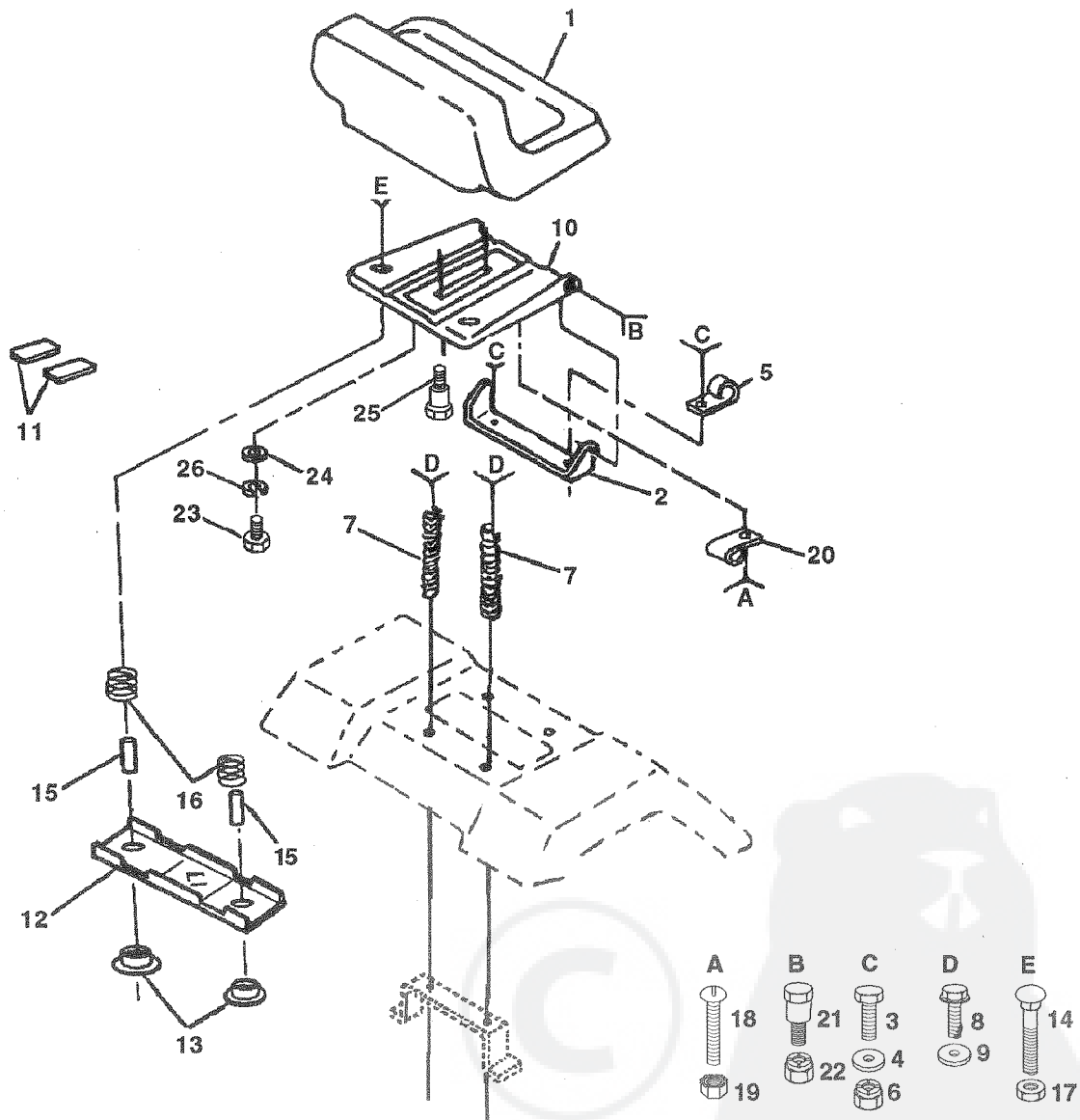
KEY NO.	PART NO.	DESCRIPTION
11	134619	Link Lift LH Fixed Length
12	135388	Link Lift RH Fixed Length
13	4939M	Retainer Spring
14	135563	Pin Roll SLT 5/16 X 1 25 Blk O
15	127218	Link Front
16	73350800	Nut Jam Hex 1/2-13 Unc
17	130171	Trunnion Blk Zinc
18	73800800	Nut Lock W/wsh 1/2-13unc
19	130832	Arm Suspension Rear

NOTE: All component dimensions given in U.S. inches - 1 inch = 25.4 mm.

REPAIR PARTS

12 HP 38" TRACTOR -- MODEL NO. 2E3B3A

SEAT ASSEMBLY



KEY NO.	PART NO.	DESCRIPTION
1	127427X	Seat V-350 Blk/blk Std
2	126656	Bracket Pivot Seat
3	74760612	Bolt Hex 3/8 - 16 X 3/4
4	19131210	Washer 13/32 X 3/4 X10Ga.
5	2751R	Clip Line Fuel 13/32 Mtg Hole
6	73680600	Nut Crownlock 3/8 - 16
7	124181X	Spring Seat Cprsn 2 250 Blk Zi
8	17490616	Screw Thdrol 3/8-16 X 1 Ty-tt
9	19131614	Washer 13/32 X 1 X 14 Ga
10	131451	Pan Pnt Seat (Blk)
11	121251X	Strip Foam Gray Or Black
12	121246X	Bracket Pnt Mounting Switch
13	121248X	Bushing Snap Blk Nyl
14	72050411	Bolt Rdhd Sht Nk 1/4 - 20 X 1 - 3/8

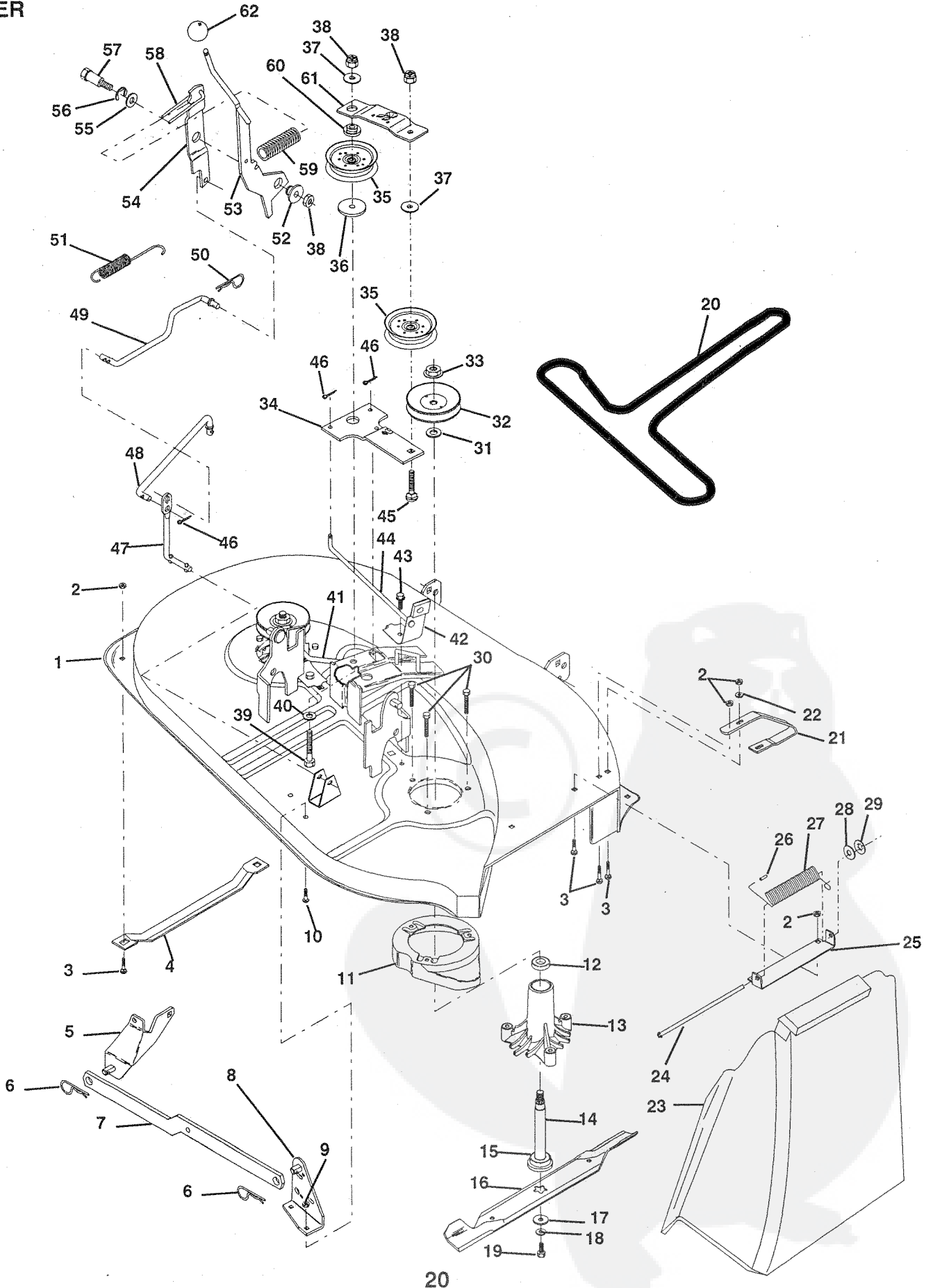
KEY NO.	PART NO.	DESCRIPTION
15	134300	Spacer Split .28 X .96
16	121250X	Spring Cprsn
17	123976X	Nut Lock 1/4 Lge Flg
18	74641008	Screw Slt'd Pan Hd #10 - 32 X 1/2
19	73951000	Nut Keps #10 - 32
20	4171R	Clip Insulated 11/32 Mtg Hole
21	105529X	Bolt Shoulder 5/16 - 18
22	73680500	Nut Crownlock 5/16 - 18
23	74780814	Bolt Fin Hex 1/2-13 X 7/8 Gr 5
24	19171912	Washer 17/32 X 1-3/16 X 12 Ga
25	127018X	Bolt Shoulder 5/16-18 X 62
26	10040800	Washer Lock Hvy Hlcl Spr 1/2

NOTE: All component dimensions given in U.S. inches - 1 inch = 25.4 mm.

REPAIR PARTS

12 HP 38" TRACTOR -- MODEL NO. 2E3B3A

MOWER



REPAIR PARTS

12 HP 38" TRACTOR -- MODEL NO. 2E3B3A

MOWER

KEY NO.	PART NO.	DESCRIPTION	KEY NO.	PART NO.	DESCRIPTION
1	138026	Mower Asm 38"welded	34	133840	Arm Idler 38"
2	73680500	Nut Crown Lock 5/16-18	35	131494	Pulley Idler Flat 3 060
3	72140506	Bolt Rdhd Sqnk 5/16-18unc X3/4	36	122052X	Spacer Retainer Pm Mower
4	7631J	Runner Mower LH 10 00	37	19131612	Washer 13/32 X 1 X 12 Ga
5	138017	Bracket assembly, front	38	73680600	Nut Crownlock 3/8-16 Unc
6	4939M	Retaining spring	39	74600636	Bolt Hex 3/8-16 X 2-1/4
7	130832	Arm, suspension rear	40	19131612	Washer 13/32 X 1 X 12 Ga
8	138018	Bracket assembly, decl	41	131289	Rod Brake Mandrel LH 4 856
9	73800500	Hex locknut 5/16-18	42	130840	Brake Asm Mower Vented
10	72140506	Carriage bolt 5/16-18 x 3/4	43	17490512	Screw Thdrol 5/16-18 X 3/4 TYT
11	128961	Stripper MWR Repld By 136929	44	131288	Rod Brake Mandrel RH 10 744
12	110485X	Bearing Ball Mandrel	45	72110614	Bolt Rdhd 3/8-16uncx1-3/4 Gr5
13	128774	Housing Mandrel Vented(machd)	46	76020312	Pin Cotter 3/32 X 3/4 Cad
14	133172	Shaft Asm W/lower Bearing	47	133551	Rod Pivot W/nibs
15	129895	Bearing Ball #6204 (Mandrel)	48	133504	Rod Clutch Secondary W/nibs
16	127842	Blade Mower High Perf 38	49	134666	Rod Clutch Primary 38/42
17	129962	Washer Hard Blade Mower Vented	50	4497H	Spring Retainer 1" Zinc/cad
18	10030600	Washer Lock Hvy 3/8 Unplated	51	131870	Spring Return
19	850857	Bolt 3/8-24x1 25 Gr8 Patched	52	127498	Bushing 747 Od X 794 Lg Brass
20	131290	V-Belt Mower 88 12 Black 38"	53	133573	Arm Asm Clutch Primary
21	128772	Runner RH 38"	54	127847	Arm Clutch Secondary
22	19111216	Washer 11/32 X 3/4 X 16 Ga	55	121748X	Washer 25/32 X 1-5/8 X 16 Ga
23	106736X	Shield Deflector Mower 38"blk	56	12000029	Ring Klip #t5304-75
24	106735X	Rod Hinge Brt/blk Zinc 9 88 Lg	57	128903	Bolt Shoulder 3/8-16 Unc 1 44
25	105896X	Bracket Deflector Mower	58	127845	Keeper Spring 4 000
26	105304X	Cap Sleeve 80x 112 Blk Mower	59	128759	Spring Clutch Mower 2 750 Zinc
27	106734X	Spring Deflector 4 46 Blk	60	133502	Spacer Arm Idler Upper Hdn 42"
28	19111016	Washer 11/32 X 5/8 X 16 Ga	61	133503	Stiffener Arm Idler Upper 42"
29	110452X	Nut Push Phos & Oil	62	106932X	Knob Rd 3/8-16 Plstc Thds Blk
30	78158	Bolt 5/16-18 X 1 25 T/t	-	138360	Deck Serv 38"mech Vent Eng/fr
31	129963	Washer Spacer Mower Vented	-	130794	Mandrel Asm Service (Includes Key
32	129206	Pulley Mandrel 38" Single			Nos. 12-15, 17-19, 31 and 33)
33	73050900	Nut 9/16top Lock Flng Oil Dip			

NOTE: All component dimensions given in U.S. inches - 1 inch = 25.4 mm.