

OWNER'S MANUAL

**36 INCH GRASS CATCHER
MODEL NUMBER GC370AE . 91**

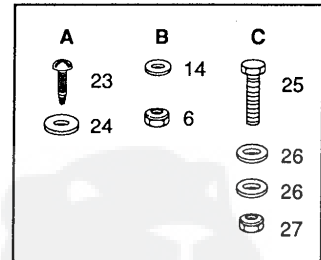
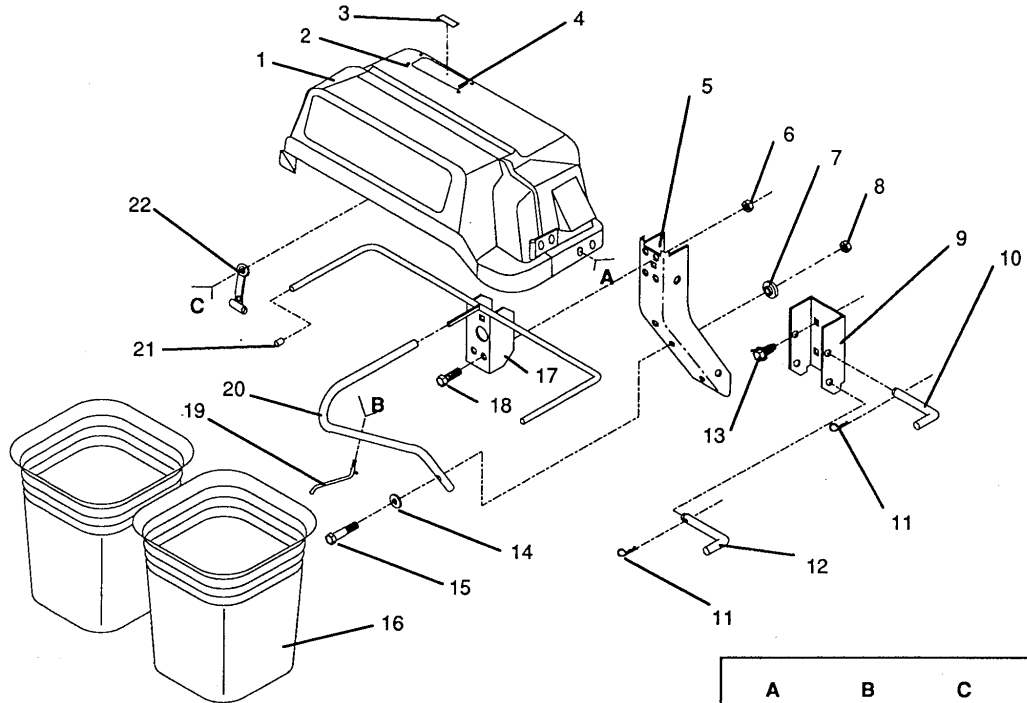


American Yard Products, Inc.

S.C. HWY. 33, AND OLD CAMERON ROAD
P.O. BOX 1687
ORANGEBURG, SC 29116

REPAIR PARTS

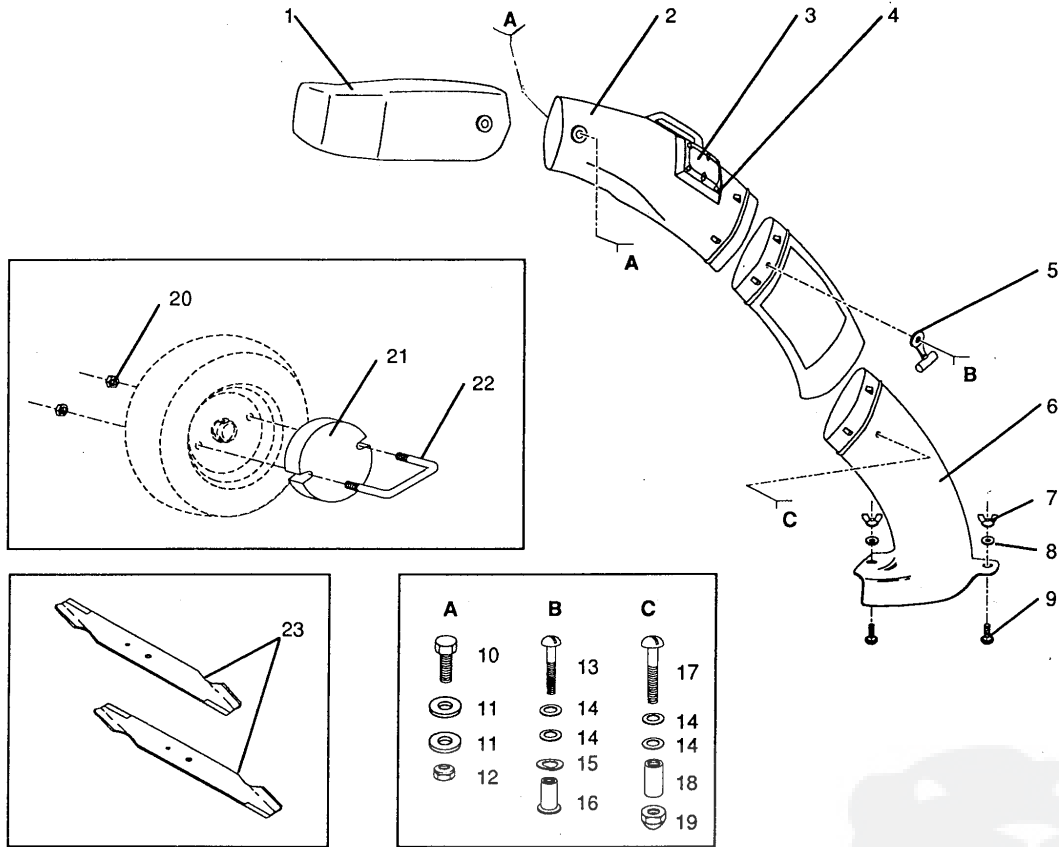
GRASS CATCHER



| KEY NO. | PART NO. | DESCRIPTION | KEY NO. | PART NO. | DESCRIPTION |
|---------|----------|--------------------------------------------------|---------|----------|------------------------------------|
| 1 | 124403X | Cover, Grass Catcher | 15 | 74760528 | Bolt, 5/16 - 18 x 1-3/4 |
| 2 | 124124X | Rivet, Plastic | 16 | 122522X | Container, 30 gallon |
| 3 | 126334X | Decal Warning | 17 | 124404X | Support, Container Assembly |
| 4 | 126670X | Window, Cover, Replacement Kit (includes Key #2) | 18 | 74760512 | Bolt, 5/16 - 18 x 3/4 |
| 5 | 124406X | Post, Support | 19 | 123252X | Rod, Latch |
| 6 | 73680500 | Locknut, 5/8-18 | 20 | 124410X | Support, Center, Container |
| 7 | 124397X | Bushing, Support Post | 21 | 123284X | Plug, Tubing end |
| 8 | 73680500 | Locknut, 5/16 - 18 | 22 | 109808X | Latch |
| 9 | 125505X | Bracket, Mounting | 23 | 17871008 | Screw, Hex THD Rolling 10 - 24 1/2 |
| 10 | 124475X | Pin, Support Post | 24 | 19061216 | Washer 3/16 x 3/4 x 16 GA |
| 11 | 4939M | Spring, Retainer | 25 | 74760412 | Bolt, Hex head 1/4 - 20 x 3/4 |
| 12 | 120097X | Pin, Support Post | 26 | 19091016 | Washer, .28 x .62 x .06 |
| 13 | 17490508 | Bolt, 5/16 - 18 x 1/2 THD Rolling | 27 | 73680400 | Locknut, 1/4 - 20 |
| 14 | 19111212 | Washer, 11/32 x 3/4 x 12 Ga. | | | |

REPAIR PARTS

GRASS CATCHER



| KEY NO. | PART NO. | DESCRIPTION | KEY NO. | PART NO. | DESCRIPTION |
|---------|----------|-----------------------------------|---------|----------|-------------------------------|
| 1 | 126944X | Chute, Upper | 14 | 19061220 | Washer 3/8 x 3/4 x 20 Ga. |
| 2 | 126737X | Chute, Center (Includes key #3,4) | 15 | 10071000 | Washer, Lock #10 |
| 3 | 126671X | Window, Chute (Include key #4) | 16 | 2029J | Nut Weld |
| 4 | 122933X | Rivet, Plastic | 17 | 87175 | Screw, #10 - 24 x 1-1/8 |
| 5 | 109808X | Latch | 18 | 7206J | Spacer |
| 6 | 123610X | Chute, Lower | 19 | 60867 | Nut, Acorn 10 - 24 |
| 7 | 123198X | Wing Nut, Plastic 1/4 20 | 20 | 73800600 | Locknut |
| 8 | 19423812 | Washer, .28 x .62 x .06 | 21 | 123635X | Weight, Front Wheel |
| 9 | 72110406 | Bolt, Carriage 1/4 - 20 x 3/4 | 22 | 123659X | U-Bolt |
| 10 | 74760410 | Bolt, Hex head 1/4 - 20 x 5/8 | 23 | 126338X | Blade, Mower High Lift |
| 11 | 19091216 | Washer 9/32 x 3/4 x 16 Ga. | — | 104419X | Bag, 3.0 mil. 30 gallon Trash |
| 12 | 73680400 | Locknut, 1/4 - 20 | — | 126693X | Owner's Manual |
| 13 | 74291012 | Screw, 10 - 24 x 3/4 | | | |