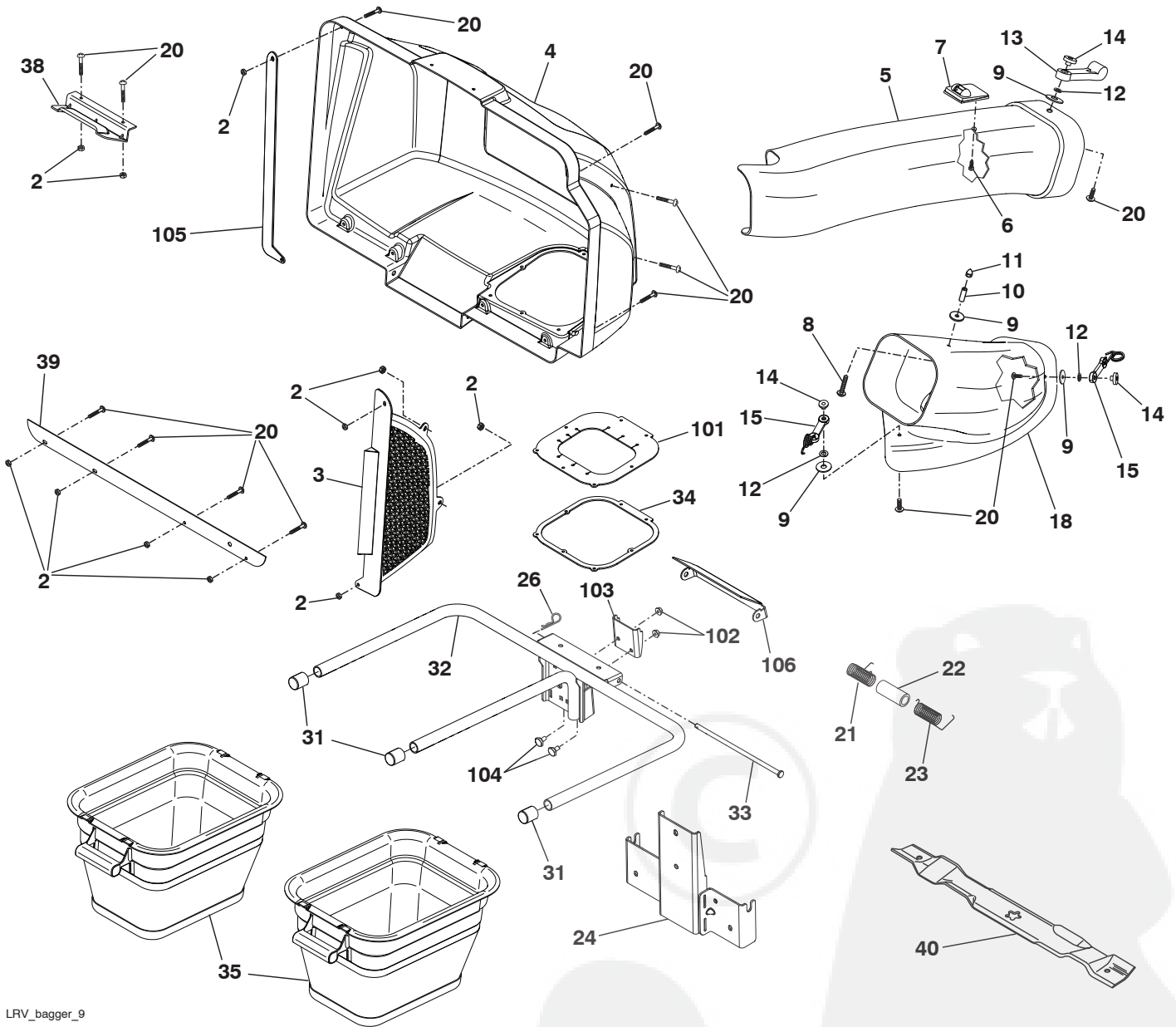


960710043



LRV_bagger_9

960710043

KEY NO.	PART NO.	DESCRIPTION
2	532 06 91-80	Nut, Crownlock #10-24
3	532 12 75-33	Screen, Cover
4	587 60 10-01	Cover Assembly (Includes 3, 38, 39)
5	584 46 78-01	Chute, Upper
6	818 02 10-08	Screw, Special #10-14 x 1/2
7	532 13 09-33	Full Bag Indicator
8	532 08 71-75	Screw, #10-24 x 1-1/8
9	532 05 27-84	Washer 3/16 x 3/4 x 16 Ga.
10	532 17 13-45	Spacer, Split
11	532 06 08-67	Nut, Acorn #10-24
12	810 07 10-00	Washer, lock
13	532 10 98-08	Latch, Chute
14	532 12 50-04	Nut, Weld
15	532 16 07-93	Latch, Hook
18	587 60 09-01	Chute, Lower
20	871 08 10-10	Screw #10-24 x 5/8
21	532 13 27-96	Spring, Cover L.H. (black)
22	532 13 32-35	Spacer, Cover
23	532 13 29-83	Spring, Cover R.H. (Gray)
24	581 55 51-02	Support Assemble
26	532 12 46-70	Spring, Retainer
31	532 17 40-83	Plug, Tubing End
32	532 17 97-46	Bagger, Frame
33	532 19 27-86	Pin, Hinge
34	587 60 11-01	Gasket, Cover
35	532 43 68-10	Container
38	532 13 08-95	Latch Handle, Cover
39	532 15 50-42	Strip, Reinforcement
40	532 41 92-73	Blade
101	532 44 20-65	Gasket
102	873 90 05-00	Nut
103	587 60 12-01	Bracket
104	532 42 42-97	Bolt
105	587 60 13-01	Bracket
106	587 60 14-01	Bagger Spring Bracket
--	115 61 00-26	Grass Catcher, Manual, International

NOTE: All component dimensions given in U.S. inches.
1 inch = 25.4 mm

