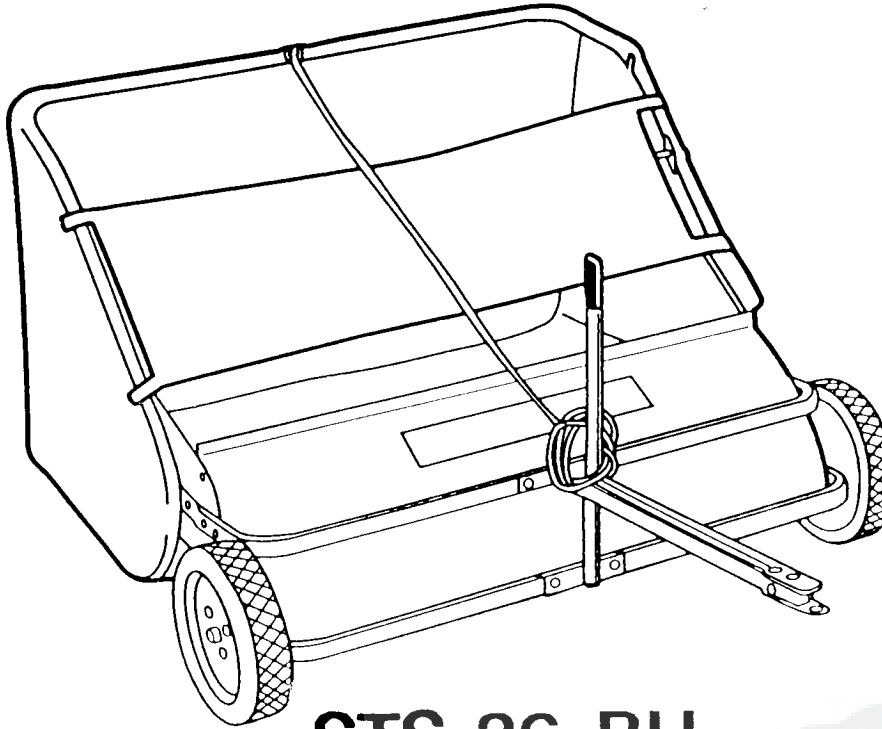


SINCE 1839

BRINLY



OWNER'S MANUAL



STS-36 BH

SWEEPER

MODEL - STS-361 BH

"IMPORTANT: THIS MANUAL CONTAINS INFORMATION FOR THE SAFETY OF PERSONS AND PROPERTY. READ IT CAREFULLY BEFORE ASSEMBLY AND OPERATION OF THE EQUIPMENT!"

LIMITED WARRANTY

Brinly-Hardy Company warrants only to the original retail purchaser that this product will remain free of defects in workmanship and materials under normal use and service for a period of two (2) years (NOTE: ninety (90) days for commercial or rental use) commencing with the date of purchase.

Any parts found to be defective within the warranty period will be replaced, with proof of date of purchase, at Brinly-Hardy Company's expense. Our obligation under this warranty is expressly limited to replacement or repair, at our option of parts which are defective in material or workmanship within thirty (30) days of receipt of the parts. This warranty does not apply to damage caused by unreasonable use, including failure to provide necessary maintenance, nor does it apply to any transportation or labor charges.

WE MAKE NO OTHER EXPRESS WARRANTY NOR IS ANYONE AUTHORIZED TO MAKE ANY ON OUR BEHALF. ANY IMPLIED OR STATUTORY WARRANTIES, INCLUDING ANY WARRANTY OF MERCHANTABILITY OR FITNESS FOR A PARTICULAR PURPOSE, ARE LIMITED TO THE DURATION OF THIS WRITTEN WARRANTY. WE SHALL NOT BE LIABLE FOR CONSEQUENTIAL OR INCIDENTAL DAMAGES OF ANY KIND.

BRINLY-HARDY COMPANY (877) 728-8224

MADE IN U.S.A.

● Insert 1/4" x 2" Hex Bolts (46- from OUTSIDE OF Hamper) into holes at both sides in Upper Side Tubes (29). Assemble a 1/4" Flat Washer (54- inside Hamper), Hamper Spacer (36), another 1/4" Flat Washer (54) and secure with 1/4" Hex Lock Nut (1). Tighten securely- DO NOT OVER TIGHTEN, can cause Tube to collapse.

● Complete this assembly by tightening all fasteners securely.

● Open the Frame Latches (9) and place Hamper over Support Bars (35) and position the Hamper (Spacers) into slots (see Inset "A"-Fig. 3). Close Latches to retain.

● Tie the Windscreen (38) to Hamper Frame as shown in Figure 3 (ties to both sides of Frame).

● Tie the Hamper Pull Rope (19) around Rear Hamper Tube (13) at cut-out. Rope can be tied to tractor seat or fender for easy access.

● Pull forward on Rope- Hamper must pivot freely. Check all fasteners for proper tightness. Your Sweeper is now ready for use.

ADJUSTMENTS

Attach the Sweeper to your Tractor Drawbar using the 1/2" Hitch Pin (4) and Hairpin Cotter (7) supplied. Tie the end of Pull Rope (19- attached to Hamper) to a convenient location at rear of Tractor. Move Tractor and Sweeper to a flat area (driveway, garage, etc.). Refer to chart in Figure 1 to make sure your Sweeper is assembled properly for your Tractor Drawbar Height.

HAMPER LEVELING

● Observe the ground clearance at rear of Hamper with Sweeper in operating position. The Hamper should be between 3" and 5" from ground. If adjustment is required, refer to Figure 1 and select Hamper Leveling mounting hole required. Number 1 hole is for lowering Hamper to ground clearance; number 3 hole is for increasing hamper to ground clearance.

BRUSH HEIGHT

Refer to Figure 3, Inset "B"

● Adjust Brush Tip height (from ground) by loosening plastic Adjusting Knob (37) and pulling FORWARD on handle Assembly (42) to RAISE brushes or push Handle BACK to LOWER brushes to obtain desired height:

LOW SETTING---- on ground to 1" above (for smooth surfaces such as driveways, parking lots, sidewalks).

MEDIUM SETTING- 1" to 3" above ground (for mowed lawns under normal conditions or light leaves).

HIGH SETTING--- 3" to 6" above ground (for high grass, heavy leaves, or heavy grass clippings).

IMPORTANT: Excessive Wheel slippage is caused by having the brushes too low for sweeping conditions. For maximum performance, always operate Sweeper with the brushes adjusted as high as possible for sweeping conditions.

PARTS LIST

REF	PART NO.	DESCRIPTION	QTY.
1	B-1673P	Hex Lock Nut- 1/4"	4
2	B-1674P	Hex Lock Nut- 5/16"	16
3	B-3385	Hex Lock Nut- #10	2
4	B-3861	Hitch Pin- 1/2"x2 1/4"	1
5	B-3718	Hex Lock Nut- 3/8"	2
6	B-5925	Logo Decal	1
7	D-146P	Hair Pin Cotter	1
8	R-618	Special Washer- 5/16"	4
9	R-644A-01	Frame Latch	2
10	R-646	Latch Spring	2
11	R-2330	Brush Axle	1
12	R-892-10	Drawbar Clevis	2
13	R-1287-10	Rear Tube- Top & Bottom	2
14	R-1288	Stop Rod	1
15	R-2279-LH	Drive Pinion, Left Hand	1
16	R-2279-RH	Drive Pinion, Right Hand	1
17	R-2395	Drive Pin- 3/16"x3/4"	2
18	R-1882	Handle Grip	1
19	R-1039	Pull Rope	1
20	R-1502	Machine Screw- #10 x 7/8"	2
21	R-1509	Brush holder Half	4
22	R-1523	Hex Screw- #10 x 1/2"	8
23	R-1584	Drive Gear	2
24	R-1595	Shoulder Bolt- 1/2"	2
25	R-1721	Height Adjust Decal	1
26	R-1722	Pan Head Screw- 1/4" x 3/4"	6
27	R-1723-SP	Wheel & Tire Assembly	2
28	R-1738-10	Dust Shield	2
29	R-1805 -10	Side Tube	2
30	R-2331	Flange Bearing	2

STS-361 BH

REF	PART NO.	DESCRIPTION	QTY.
31	R-1806-10	Lower Tube	2
32	R-1866-10	Baffle	1
33	R-1860-10	Housing Assembly	1
34	R-1815	Hamper Spring Rod	2
35	R-1816-10	Hamper Support Bar	2
36	R-2225	Hamper Spacer	2
37	F-782	Adjusting Knob	1
38	R-1865	Hamper & Wind Screen	1
39	R-1862	Brush Section	4
40	R-1843-10	Tow Bar Support Tube	1
41	R-1845-10	Wheel Support Tube	1
42	R-1846-10	Handle Assembly	1
43	R-1848-10	Tow Bar Assembly	1
44	R-1856-SP	Bronze Bearing-Short	2
45	1M0824P	Hex Bolt- 1/4"x1-1/2"	2
46	2M0832P	Hex Bolt- 1/4"x2"	2
47	2M1012P	Hex Bolt- 5/16"x3/4"	6
48	2M1016P	Hex Bolt- 5/16"x1"	2
49	2M1020P	Hex Bolt- 5/16"x1-1/4"	4
50	10M1020P	Carriage Bolt- 5/16"x1-1/4"	2
51	10M1032P	Carriage Bolt- 5/16"x2"	2
52	30M0600P	Hex Nut- #10	8
53	30M1200P	Hex Nut- 3/8"	2
54	45M0909P	Flat Washer- 1/4"	6
55	45M1111P	Flat Washer- 5/16"	2
56	45M1717P	Flat Washer- 1/2"	5
57	B-1675P	Hex Lock Nut-3/8"	2
58	R-1946	Instructions Decal	1
59	R-2226	Machinery Bushing, 1/2"	2
60	R-2398	External Retaining Ring, 1/2"	2
61	B-4713	Washer	2

