

Tread pattern on tire may vary

Manual Contents

Safety Instructions.....	2
Parts.....	3
Assembly.....	4-7
Operation.....	8
Maintenance.....	8
Sprayer Calibration.....	9
Warranty.....	12

Your New Sprayer

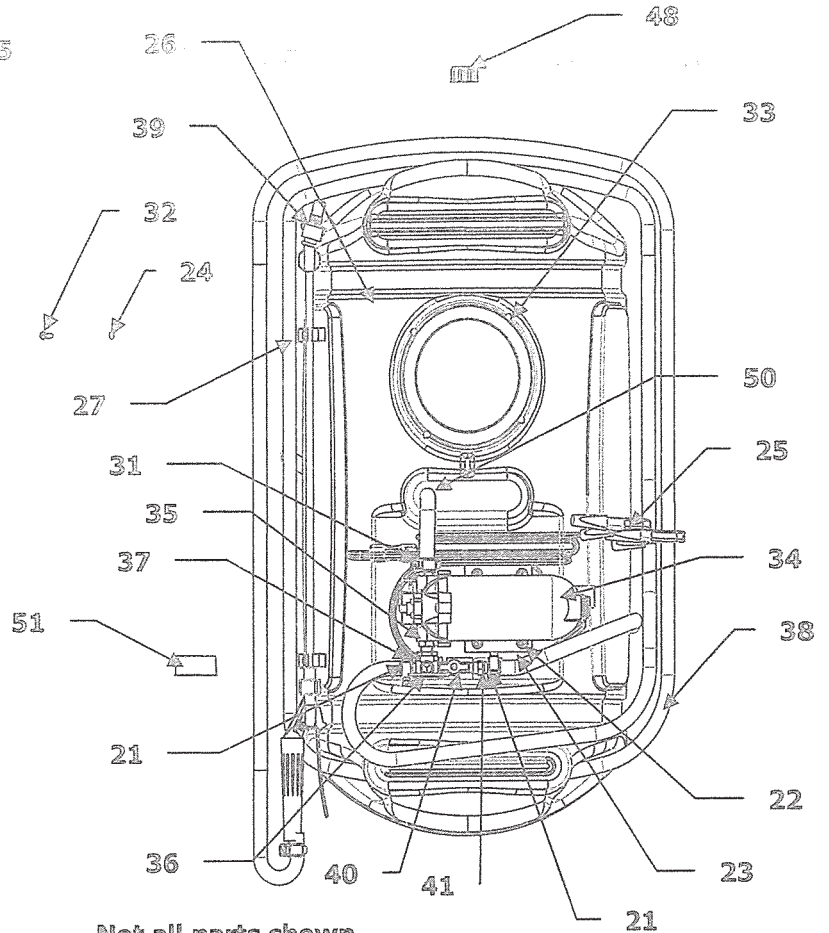
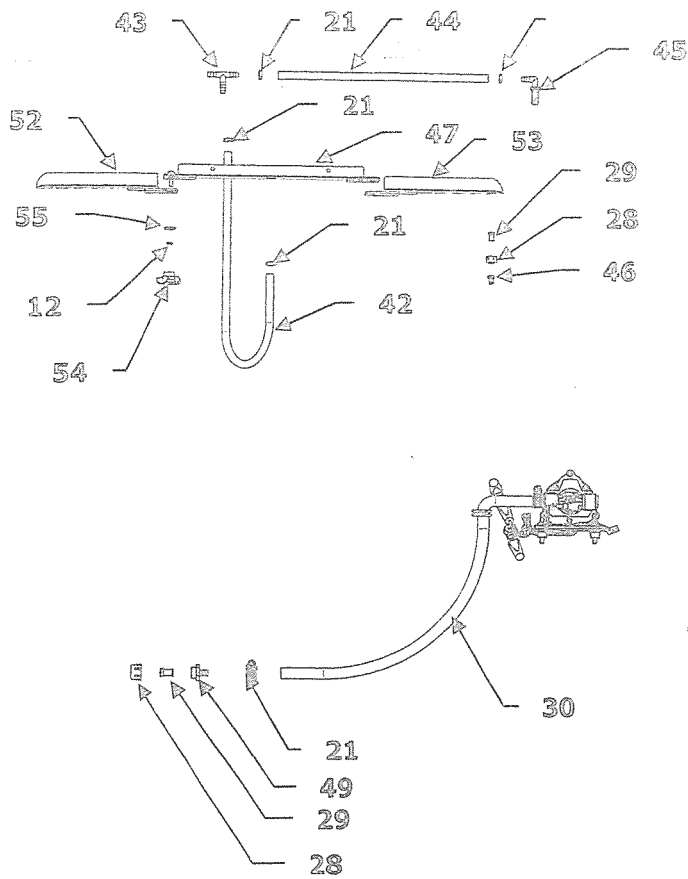
Congratulations on your purchase of a new Precision Products, Inc. Sprayer. Your Sprayer has been engineered and built to give you the most dependable and best performing product possible. Proper operation and maintenance will ensure long satisfactory service. Please study the manual carefully to become familiar with the operation and maintenance instructions.

Keep your manual in a safe, convenient place for future reference. Always mention the model and part number in any correspondence, when ordering parts.

If you experience any problem you can not easily resolve, please feel free to contact our knowledgeable and helpful customer service department toll-free at **1 (800) 225-5891**.

Caution: Carefully read all rules and instructions for safe operation.

(Rev. 8/2017)



TCT Frame Assembly shown pages 2-5

Not all parts shown

Ref No.	Part No.	Qty.	Description
1	5190TB	1	TCT Frame
2	****	1	Tank Assembly
3	5191TB	2	Tow Bar Tube
4	2029	2	Wheel
5	4289	1	Clevis Pin 1/2" x 3-1/2" 1" Head
6	4041	2	5/16" x 2" Hex Head Bolt
7	1248	6	5/16" x 3/4" Hex Head Bolt
8	2179	2	1/4" x 3" Hex Head Bolt
9	1086	4	1/4" x 2" Hex Head Bolt
10	1817	12	1/4" Flat Washer
11	1044	6	5/16" Flat Washer
12	1276	10	5/16" Lock Washer
13	1646	4	5/8" Flat Washer
14	5195	2	Cotter Pin 1/8" x 3/4"
15	1558	6	1/4" Nylock Nut
16	1275	4	5/16" Hex Head Nut
17	1042	1	Hitch Pin Clip
18	3060	2	1" Tube Plug
19	5153	1	5/16" Spacer
20	4265B	2	Clevis Plate
21	3632	10	Hose Clamp (Stainless Steel)
22	3604	4	10-24 x 1-1/4" Round Head Screw
23	3605	4	#10 Flat Washer
24	3636	6	#10 Lock Washer
25	3780	1	Wire Harness
26	3626	1	25 Gallon Sprayer Tank
27	3784	2	Wand Holder
28	3620	3	Nozzle Cap

Ref No.	Part No.	Qty.	Description
29	3619	3	Suction Strainer
30	3777	1	3/8" Rubber Hose 24"
31	3607	1	Hose Barb 3/8"
32	3613	2	10-24 x 1/2" Bolt
33	3601	1	Tank Lid
34	3609	1	Electric Pump Motor (1.8 W/Switch)
35	3728	1	3/8" MPT x 1/4" MPT Nipple
36	3688	1	Nylon Tee, 1/4" w/port
37	3731	1	1/4" MPT x 3/8" HB
38	3773	1	3/8" Rubber Hose 15'
39	3658	1	Sprayer Wand & Nozzle
40	3730	1	1/4" MPT x 1/4" FPT Valve
41	3729	1	1/4" MPT x 1/2" HB Hose Barb
42	3775	1	1/2" Clear Hose 40"
43	3723	1	Nylon Tee, 1/2"
44	3776	2	1/2" Clear Hose 19-1/2"
45	3725	2	11/16" MPS x 1/2" HB ELB HB w/nut
46	3719	2	Nozzle 2.5" Blue
47	4881TB	1	Boom Arm Assembly
48	3733	1	Drain Cap w/Washer
49	3659	1	11/16" MPT x 3/8" HB
50	3639	1	Grommet 5/8" H.D. x 3/8" (Thick)
51	3687	1	Pressure Gauge
52	4879TB	1	Boom Arm Assembly RH
53	4880TB	1	Boom Arm Assembly LH
54	2158	2	Control Knob
55	2172	2	5/16" Fender Washer