



**OWNER'S MANUAL  
MANUEL DU PROPRIÉTAIRE  
MANUAL DEL PROPIETARIO**

**15 & 25 GALLON TOW-BEHIND LAWN SPRAYER  
PULVÉRISATEUR DE PELOUSE À REMORQUER DE 15 ET 25 GALLONS  
ROCIADOR DE REMOLQUE PARA CÉSPED DE 15 Y 25 GALONES**

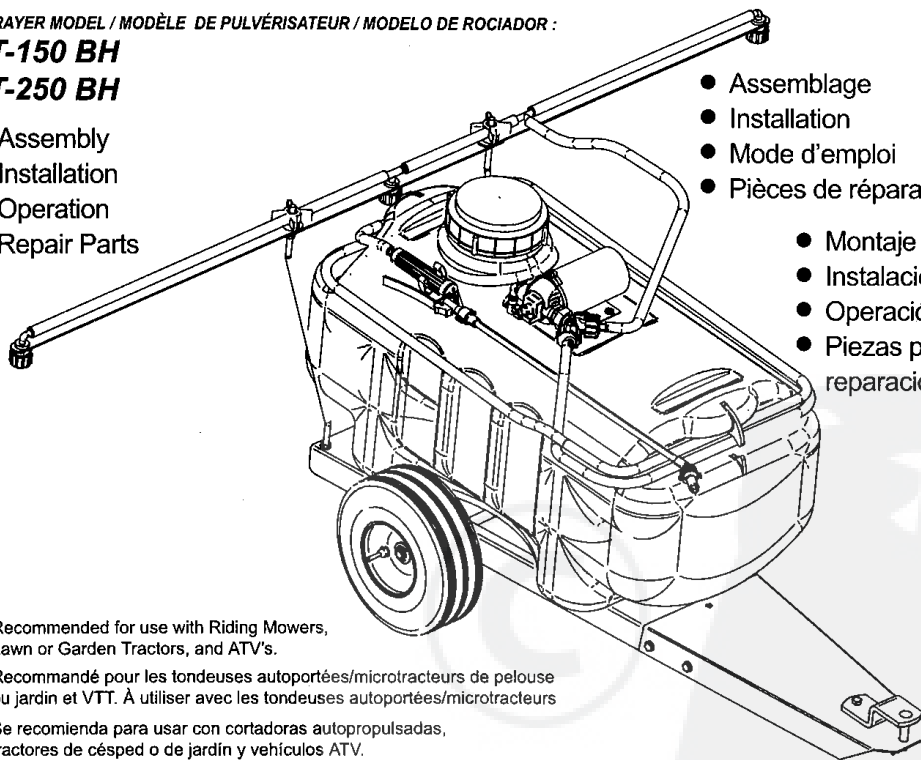
SPRAYER MODEL / MODÈLE DE PULVÉRISATEUR / MODELO DE ROCIADOR :

**ST-150 BH  
ST-250 BH**

- Assembly
- Installation
- Operation
- Repair Parts

- Assemblage
- Installation
- Mode d'emploi
- Pièces de réparation

- Montaje
- Instalación
- Operación
- Piezas para reparación



Recommended for use with Riding Mowers, Lawn or Garden Tractors, and ATV's.

Recommandé pour les tondeuses autoportées/microtracteurs de pelouse ou jardin et VTT. À utiliser avec les tondeuses autoportées/microtracteurs

Se recomienda para usar con cortadoras autopropulsadas, tractores de césped o de jardín y vehículos ATV.

For the latest product updates and setup tips:  
Pour les dernières nouvelles sur les produits et des conseils d'installation.  
Para consultar las últimas actualizaciones de productos y obtener consejos sobre configuración

Visit us on the web! [www.brinly.com](http://www.brinly.com)  
Visitez-nous sur le Web ! [www.brinly.com](http://www.brinly.com)  
¡visítenos en la web! [www.brinly.com](http://www.brinly.com)

Important: This manual contains information for the safety of persons and property.  
Read it carefully before assembly and operation of the equipment!  
Important: Ce manuel contient de l'information pour la sécurité des personnes et de la propriété. Lisez-le attentivement avant d'assembler et de faire fonctionner l'équipement!  
Importante: Este manual contiene información sobre la seguridad de las personas y la propiedad. ¡Léalo atentamente antes de realizar el armado y utilizar el equipo!

CONGRATULATIONS on your new Brinly-Hardy Sprayer! Your Sprayer has been designed, engineered and manufactured to give you the best possible dependability and performance.

Should you experience any problem you cannot easily remedy, please do not hesitate to contact our **Customer Service Department** toll-free at **1-877-728-8224**.

### CUSTOMER RESPONSIBILITIES

Please read and retain this manual. The instructions will enable you to assemble and maintain your sprayer properly. And please, always observe the "Safety Rules". Read and Observe the "Safety Rules".

Follow a regular schedule in maintaining, caring-for and using your Brinly Sprayer.

### TABLE OF CONTENTS

|                             |      |
|-----------------------------|------|
| SAFETY RULES .....          | 2    |
| HARDWARE .....              | 3    |
| REFERENCE .....             | 4,6  |
| PARTS LIST .....            | 5,7  |
| ASSEMBLY .....              | 8-10 |
| ELECTRICAL CONNECTION ..... | 10   |
| MAINTENANCE .....           | 3    |
| OPERATION .....             | 10   |
| PRODUCTS .....              | 11   |
| WARRANTY .....              | 11   |

### RULES FOR SAFE OPERATION

- Know your pulling equipment's controls and safety features. **READ YOUR EQUIPMENT OWNER'S MANUAL FOR SAFE OPERATION OF YOUR EQUIPMENT!**
- Do not allow children to operate the vehicle. Do not allow adults to operate without proper instruction or without having read the Owner's Manual.
- Do not carry passengers. Keep children and pets a safe distance away.
- Always wear substantial footwear. Do not wear loose fitting clothing that can get caught in moving parts.
- Keep your eyes and mind on your actor/attachment and area being covered. Do not let other interests distract you.
- Stay alert for holes in the terrain and other hidden hazards.
- Do not drive close to creeks, ditches and public highways.
- Watch out for traffic when crossing or near roadways.
- When using any attachment, don't allow anyone near the vehicle while in operation.
- Keep the vehicle and attachment in good operating condition and keep safety devices in place.
- Keep all nuts, bolts and screws tight to be sure the equipment is in safe working condition.
- The vehicle and attachment should be stopped and inspected for damage after striking a foreign object. The damage should be repaired before restarting and operating the equipment.
- See tractor equipment Owner's Manual for safe operation of the equipment.

### CAUTION!

Always add chemicals to water, not water to chemicals!

**DO NOT** use flammable chemicals.

Keep the water hose used to fill the tank out of the chemicals, failure to do this could result in a contaminated hose system.

Use and Properly dispose of chemicals in accordance with the chemical manufacturers instructions.

Never empty tank in a drain or near a lake or stream.

Always be sure to wear protective eyewear (goggles) when filling your sprayer and when spraying chemicals.

Wear protective clothing that is close fitting and that covers your arms and legs.

Follow chemical manufacturer's instructions.

**DO NOT** permit children on or around the Sprayer while in use.

Always operate your Sprayer within the speed limit for which it was designed ( 2 - 5 m.p.h.).

When backing - carefully back straight to avoid jackknifing, which could result in damage to equipment.

Your Sprayer when filled with 15 Gallons of water will weigh approximately 150 pounds.

**ALLOW FOR EXTRA STOPPING DISTANCE!**

This product is not designed for use in sand or gravel, or to carry extra weight.



This symbol will help to point out important safety precautions throughout this manual. It means - ATTENTION! BECOME ALERT! Your safety is involved.

**REFERENCE**

**Tools Required for Assembly:**  
 1/2" wrench (2)  
 7/16" wrench (2)  
 Pliers  
 Tape Measure

**OPERATION ( U.S. - 1.8 gpm Pump)**

**APPLICATION RATE - WAND**

Understanding the following information about your sprayer will help to calibrate the application rate. The sprayer operates at a fixed pressure of 60psi. This results in actual spraying time of 30 minutes(using the handgun) for the 25 gallon unit, and 18 minutes for the 15 gallon unit.

**APPLICATION RATE - BOOM**

| Product | Gallons Per Acre |      |      |      |
|---------|------------------|------|------|------|
|         | mph              |      |      |      |
|         | 2                | 3    | 4    | 5    |
| ST-250  | 56.5             | 37.5 | 28.0 | 22.5 |
| ST-150  | 69.5             | 46.0 | 34.5 | 27.5 |

| Product | Gallons per 1000 Square Feet |     |     |     |
|---------|------------------------------|-----|-----|-----|
|         | mph                          |     |     |     |
|         | 2                            | 3   | 4   | 5   |
| ST-250  | 1.3                          | 0.9 | 0.6 | 0.5 |
| ST-150  | 1.6                          | 1.1 | 0.8 | 0.6 |

**TRACTOR REQUIREMENTS**

The Brinly Sprayer requires towing equipment with a 12-volt battery and charging system, and a drawbar hitch in order to properly operate the Brinly Sprayer.

The towing equipment should have operable brakes capable of controlling the loaded Sprayer and tractor.

**CALIBRATION OF SPEED**

By measuring off a distance of 50 or 100 feet, the speed of the tractor can be calibrated by selecting a gear and throttle position to cover the prescribed distance in the specified time as shown:

| Speed mph | Seconds required to travel: |          |
|-----------|-----------------------------|----------|
|           | 50 feet                     | 100 feet |
| 2         | 17                          | 34       |
| 3         | 11                          | 22       |
| 4         | 9                           | 17       |
| 5         | 7                           | 14       |

**CALCULATION PROCEDURE FOR SPRAYER APPLICATION**

Chemical labels normally show application rates in gallons per acre or gallons per square feet. Using the following method, one can determine the appropriate amount of water to use and speed to travel to adequately follow the manufactures recommended instructions.

1. Based on the size of your yard, select the amount of water to be used. Use the formula:

Application Rate x Area to be sprayed = Amount of water (from the table)

**Example 1**

Sprayer= ST-250  
 Yard Size= 4 acres

**Example 2**

Sprayer= ST-250  
 Yard Size= 20,000 sf

Using the table and the above formula:

|  |  |
|--|--|
| 56.5 gal/ acre x 4acres= 225.6 gal@ 2mph | 1.3 gal/ 1000 x 20,000sf= 26 gal@ 2mph |
| 37.5 gal/ acre x 4acres= 149.6 gal@ 3mph | 0.9 gal/ 1000 x 20,000sf= 18 gal@ 3mph |
| 28.0 gal/ acre x 4acres= 112.0 gal@ 4mph | 0.6 gal/ 1000 x 20,000sf= 12 gal@ 4mph |
| 22.5 gal/ acre x 4acres= 90.00 gal@ 5mph | 0.5 gal/ 1000 x 20,000sf= 10 gal@ 5mph |

2. Choose the speed / amount of water you want to use.

**Example 1**

A comfortable speed for a lawn tractor is 3 mph.

**Example 2**

Since 18 gallons can be done with only one filling:

Choice = 149.6 ~ 150 gal@ 3mph

Choice = 18 gallons @ 3mph

3. Determine how many tanks are required to complete the total job:

Amount of Water / Tank Capacity = Number of tanks from step 1

If the number of tanks is less than 1.0 use 1.0

**Example 1**

150 gal/ 25 = 6.0 tanks

**Example 2**

18 gal/ 25 = 0.7 tanks use 1.0 tank

4. Determine how much chemical is to be used:

Rate from manufactures label x Area to be Sprayed = Amount of chemical req.

**Example 1**

Label = 20 ounces/acre

20 oz. x 4 acres = 80 oz.

**Example 2**

Label = 1/2 pint/ 1000 sq. ft.

1/2pt/1000 x 20,000 sf = 10 pints

5. Determine how much chemical per tank:

Amount of chemical (from step 4) x # of Tanks (from step3) = chemical per tank

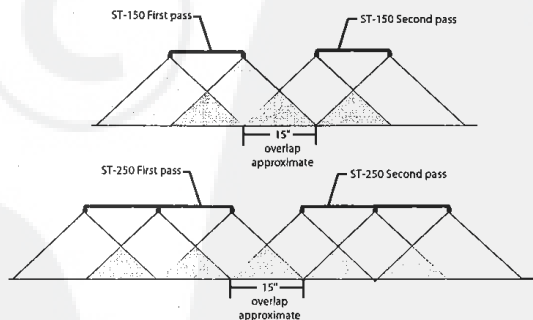
**Example 1**

80oz./ 6.0 tanks = 13.3 oz./tank

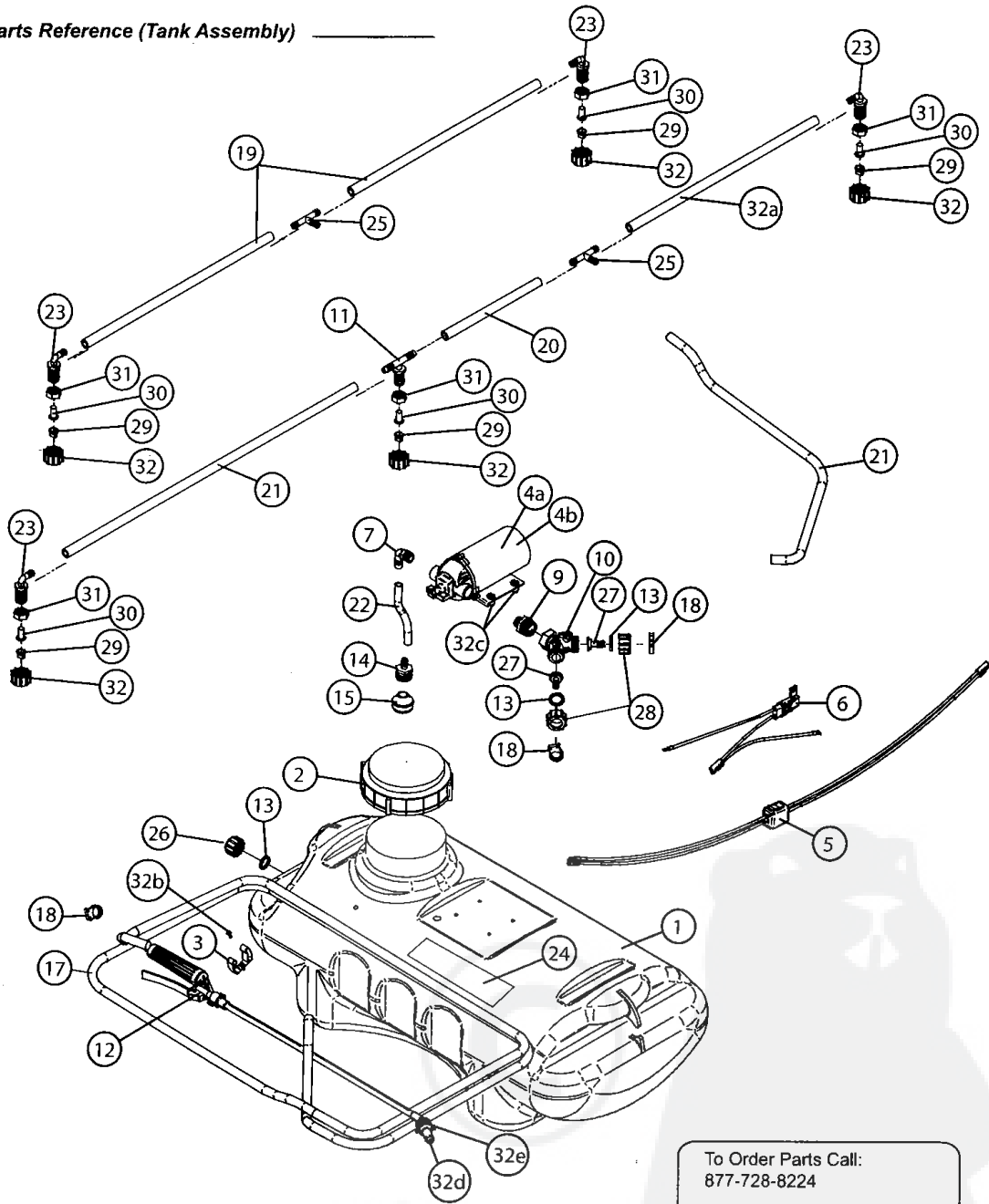
**Example 2**

10 pints/ 1 tank = 10 pints

**SPRAYER OVERLAP**



Parts Reference (Tank Assembly)



To Order Parts Call:  
877-728-8224

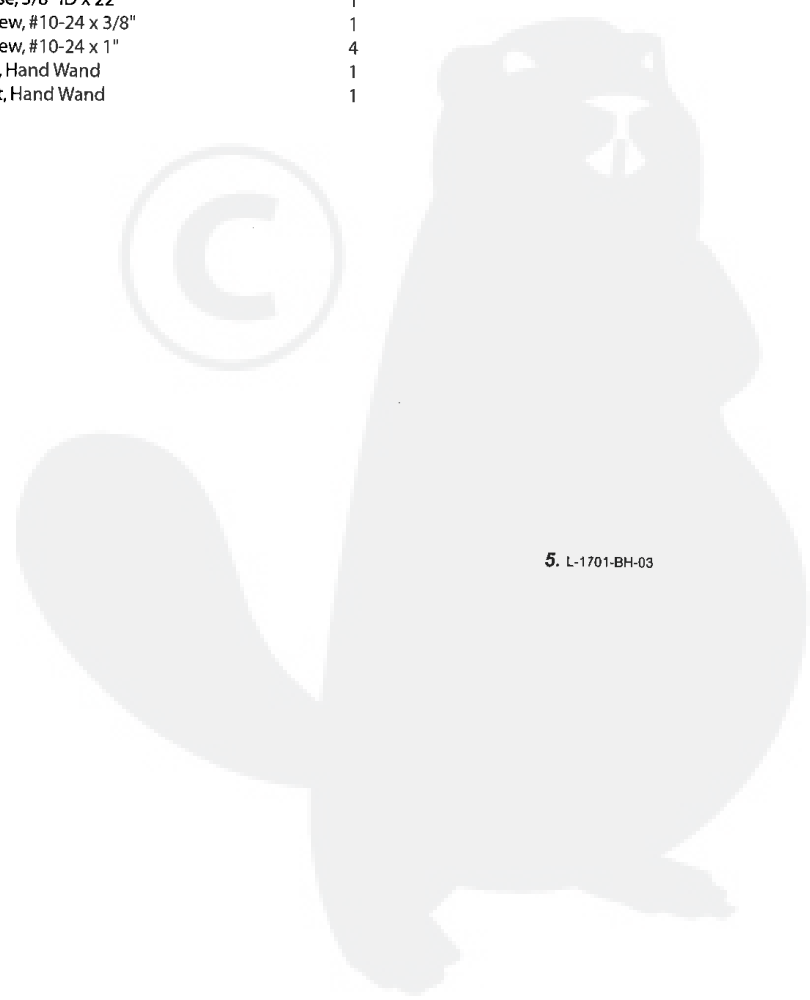
Visit us on the web:  
[www.brinly.com](http://www.brinly.com)

**Parts List (Tank Assembly)**

| Ref.No. | Part No. |          | Description                                 | Qty.   |
|---------|----------|----------|---|--------|
|         | ST-150   | ST-250   |   |        |
| 1.      | B-6026   | B-6025   | Sprayer Tank,                               | 1      |
| 2.      | B-6028   | B-6028   | Tank Cap                                    | 1      |
| 3.      | B-6511   | B-6511   | Clip, Gun Holder w/screw(22M0606P)          | 1      |
| 4a.     | B-6027   | B-6027   | Pump, U.S. only                             | 1      |
| 4b.     | B-6279   | B-6279   | Pump, "CE" Certified Export                 | 1      |
| 5.      | B-6030   | B-6030   | Wiring Harness w/switch                     | 1      |
| 6.      | B-6031   | B-6031   | Wiring Harness, Battery Connection          | 1      |
| 7.      | B-6046   | B-6046   | Elbow 90deg., 3/8" M.P.T. x 3/8" H.B.       | 1      |
| 9.      | B-6513   | B-6513   | Nipple, Reducing, 1/2" M.P.T. x 3/8" M.P.T. | 1      |
| 10.     | B-6512   | B-6512   | Tee, F.M.P.T.                               | 1      |
| 11.     |          | B-6044   | Nozzle Body, Tee w/ 3/8" HB                 | 1      |
| 12.     | B-6400   | B-6400   | Spray Gun( B-6583 - Tip only for service)   | 1      |
| 13.     | B-6054   | B-6054   | Washer, Black Vinyl 1" OD x 3/4" ID         | 3      |
| 14.     | B-6598   | B-6598   | Hose Barb, 1/4" M.P.T. x 3/8" H.B.          | 1      |
| 15.     | B-6597   | B-6597   | Strainer, 1/4", #40 mesh                    | 1      |
| 17.     | B-6033   | B-6033   | Hose, 3/8" ID x 12'                         | 1      |
| 18.     | B-6047   | B-6047   | Hose Clamp                                  | 3      |
| 19.     | B-6037   |          | Hose, 3/8" ID x 15"                         | 2      |
| 20.     |          | B-6036   | Hose, 3/8" ID x 7-1/2"                      | 1      |
| 21.     | B-6034   | B-6034   | Hose, 3/8" ID x 30"                         | 1 or 2 |
| 22.     | B-6088   | B-6087   | Hose, 3/8" ID                               | 1      |
| 23.     | B-6043   | B-6043   | Nozzle Body, 90deg, 3/8" H.B.               | 2      |
| 24.     | B-6020   | B-6020   | Caution Decal                               | 1      |
| 25.     | B-6045   | B-6045   | Hose Barb, Tee, 3/8" x 3/8"                 | 1      |
| 26.     | B-6578   | B-6578   | Drain Cap                                   | 1      |
| 27.     | B-6055   | B-6055   | Hose Barb, Flat Seat, 3/8" H.B.             | 2      |
| 28.     | B-6056   | B-6056   | Nut, Hose Swivel, 3/4" F.G.H.T.             | 2      |
| 29.     | B-6514   | B-6514   | Tip, Sprayer                                | 2 or 3 |
| 30.     | B-6040   | B-6040   | Strainer, Nozzle                            | 2 or 3 |
| * 31.   | B-6041   | B-6041   | Jamb Nut, Nozzle Fitting                    | 2 or 3 |
| * 32.   | B-6042   | B-6042   | Nut, Tip Fitting                            | 2 or 3 |
| * 32a.  |          | B-6035   | Hose, 3/8" ID x 22"                         | 1      |
| * 32b.  | 22M0606P | 22M0606P | Screw, #10-24 x 3/8"                        | 1      |
| 32c.    | 22M0616P | 22M0616P | Screw, #10-24 x 1"                          | 4      |
| 32d.    | B-6583   | B-6583   | Tip, Hand Wand                              | 1      |
| 32e.    | B-6584   | B-6584   | Nut, Hand Wand                              | 1      |

\* - Bag "B" (Z-1704) for ST-250

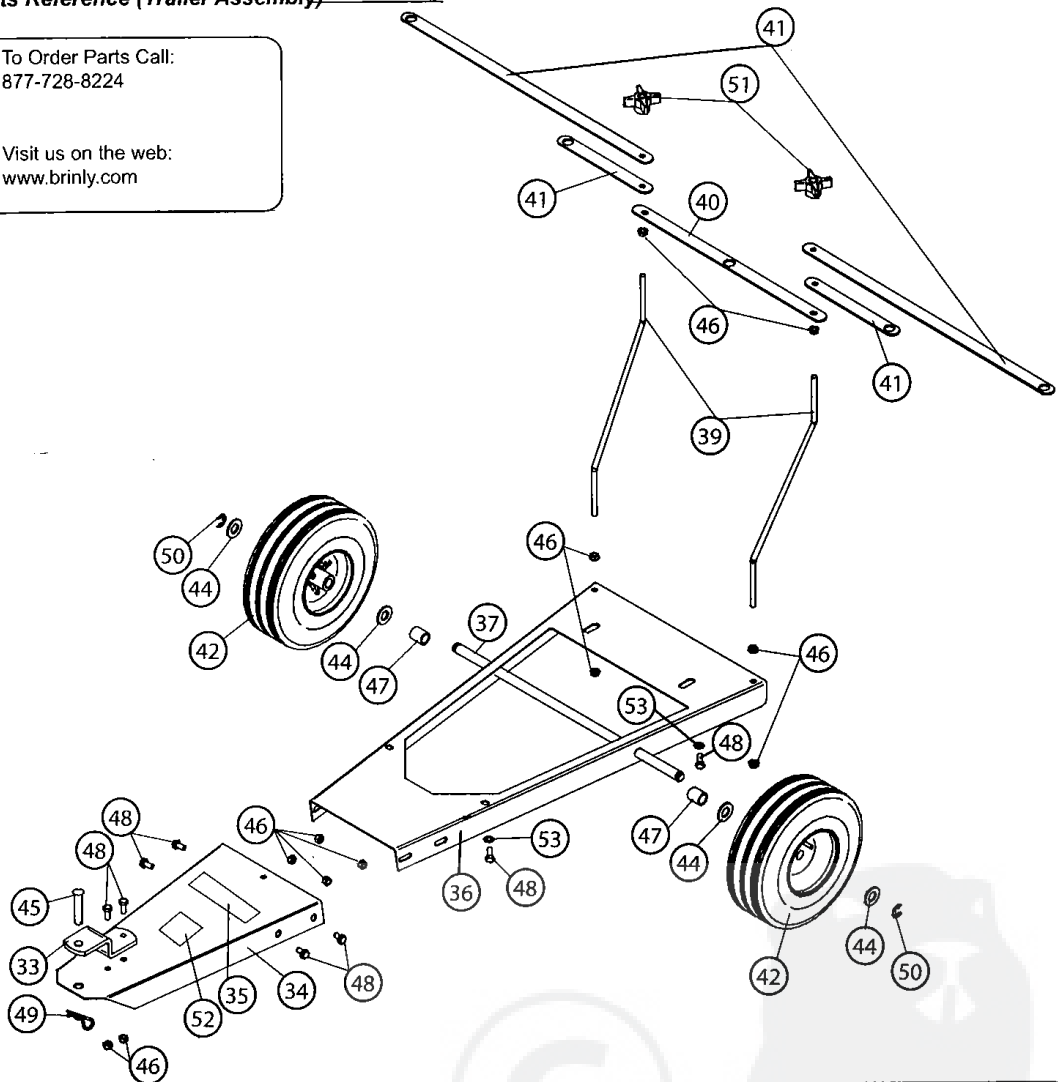
\* - Bag "B" (Z-1706) for ST-150



**Parts Reference (Trailer Assembly)**

To Order Parts Call:  
877-728-8224

Visit us on the web:  
[www.brinly.com](http://www.brinly.com)



**NOTES**

**Parts List (Frame Assembly)**

| Ref. No. | ST-150     | ST-250     | Description                  | Qty. |
|----------|------------|------------|------------------------------|------|
| 33.      | B-3034-10  | B-3034-10  | Clevis                       | 1    |
| 34.      | B-6322F-10 | B-6322F-10 | Drawbar                      | 1    |
| 35.      | B-5922     | B-5922     | Logo Decal                   | 1    |
| 36.      | B-6322R-10 | B-6322R-10 | Base                         | 1    |
| 37.      | B-5684     | B-5684     | Axle                         | 1    |
| 39.      | B-5687     | B-5687     | Boom Support                 | 2    |
| 40.      | B-5688-10  | B-5688-10  | Boom Bar                     | 1    |
| 41.      | B-5689-10  | B-5690-10  | Boom Extension               | 2    |
| 42.      | B-5692     | B-5692     | Wheel                        | 2    |
| ** 44.   | 45M2121P   | 45M2121P   | 5/8" Flat Washer             | 4    |
| ** 45.   | B-3861     | B-3861     | Hitch Pin                    | 1    |
| ** 46.   | B-4355     | B-4355     | 5/16" Whiz Lock Nut          | 12   |
| ** 47.   | B-5691     | B-5691     | Axle Spacer                  | 2    |
| ** 48.   | B-5695     | B-5695     | 5/16" x 5/8" Hex Flange Bolt | 10   |
| ** 49.   | D-146P     | D-146P     | Hitch Pin Cotter             | 1    |
| ** 50.   | F-577      | F-577      | 5/8" E-Ring                  | 2    |
| ** 51.   | F-782      | F-782      | Knob                         | 2    |
| 52.      | R-1946     | R-1946     | Caution Decal                | 1    |
| 53.      | R-618      | R-618      | Washer, Special              | 4    |

\*\* - Bag "A" (Z-1705)

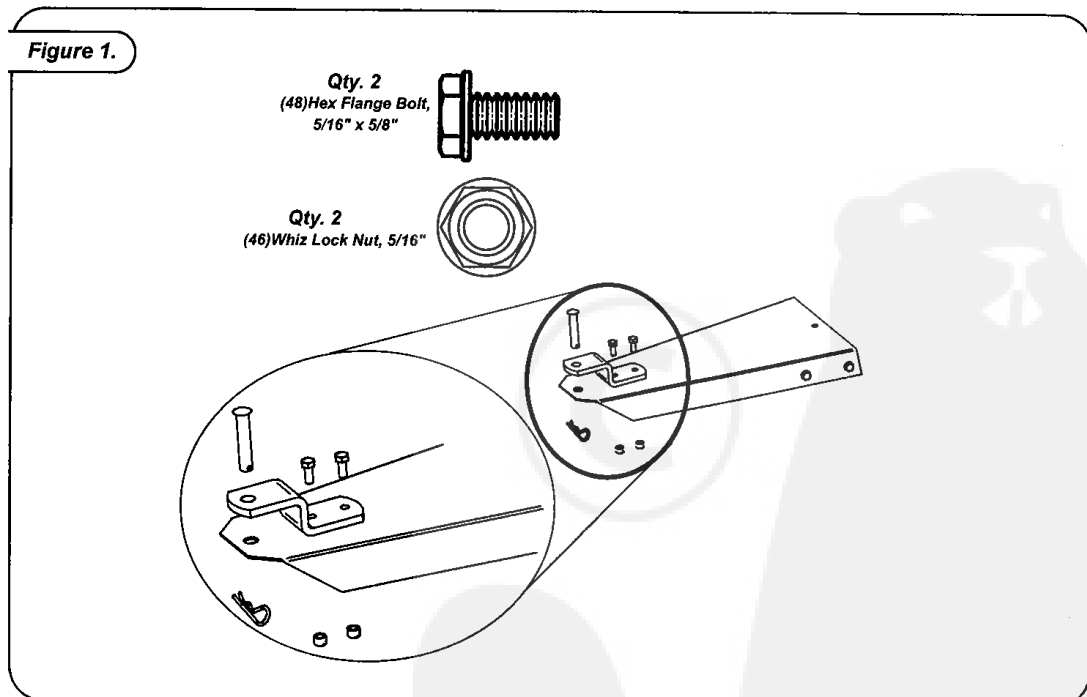


Figure 2.

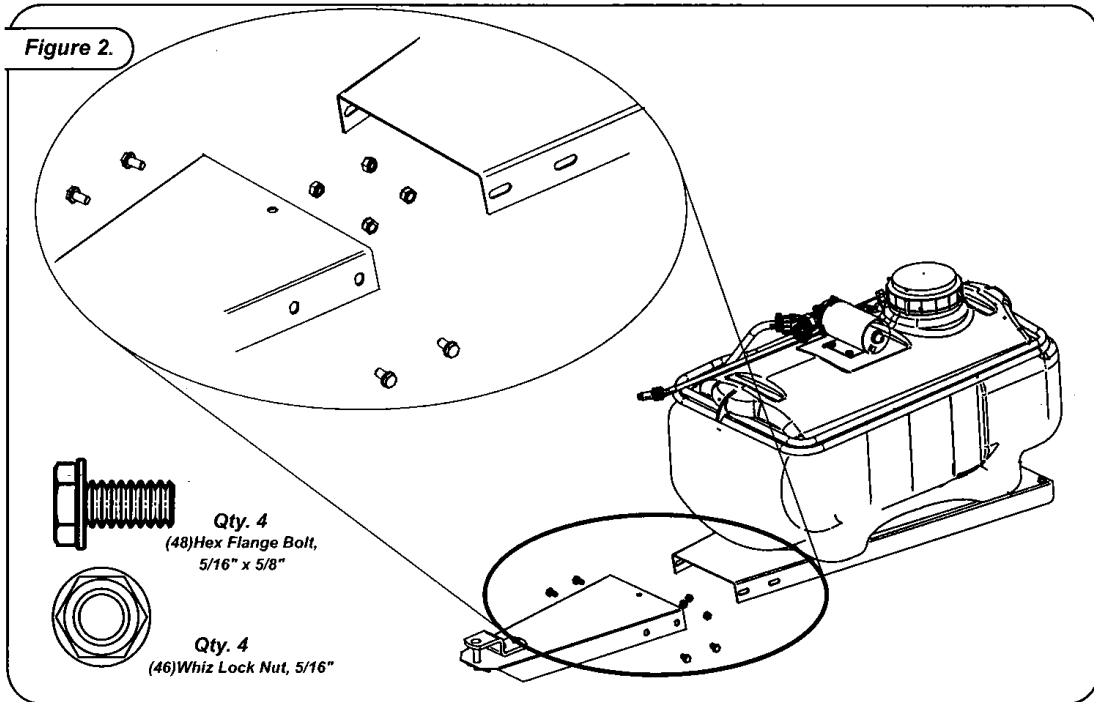


Figure 3.

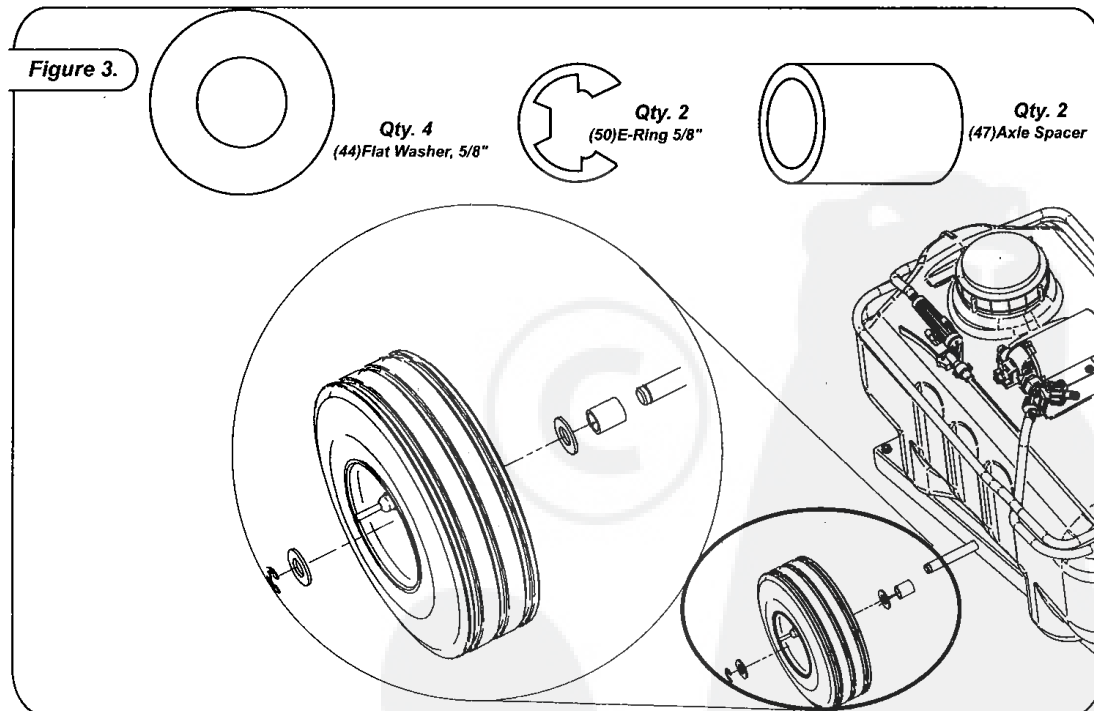




Figure 4.

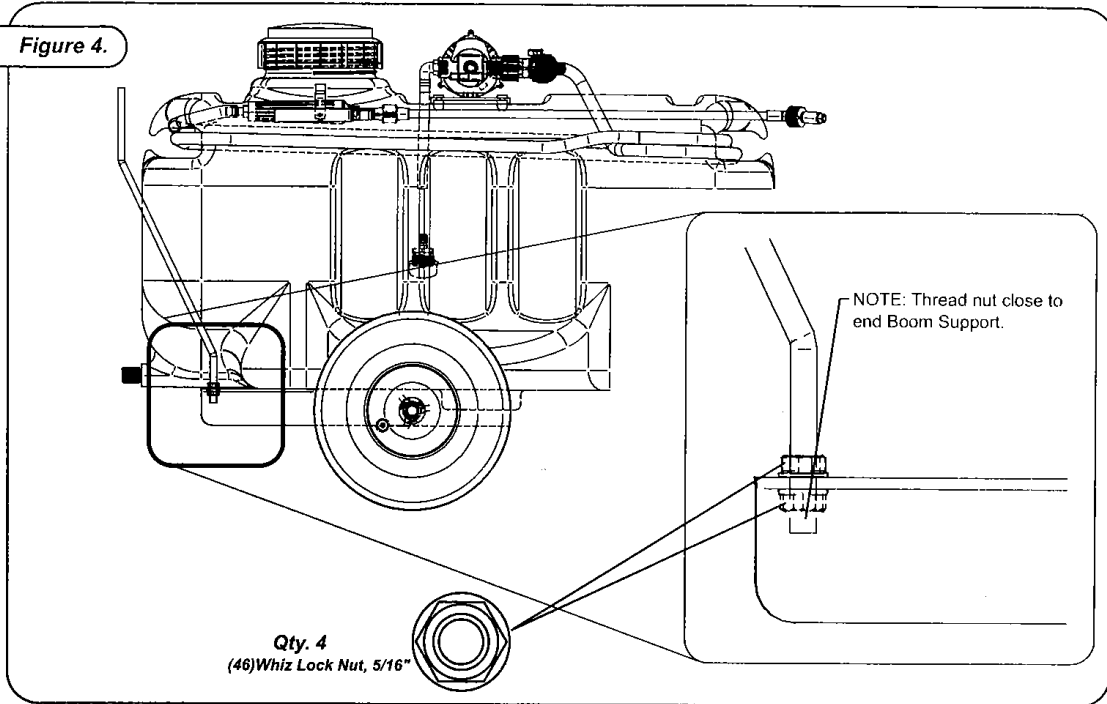


Figure 5.

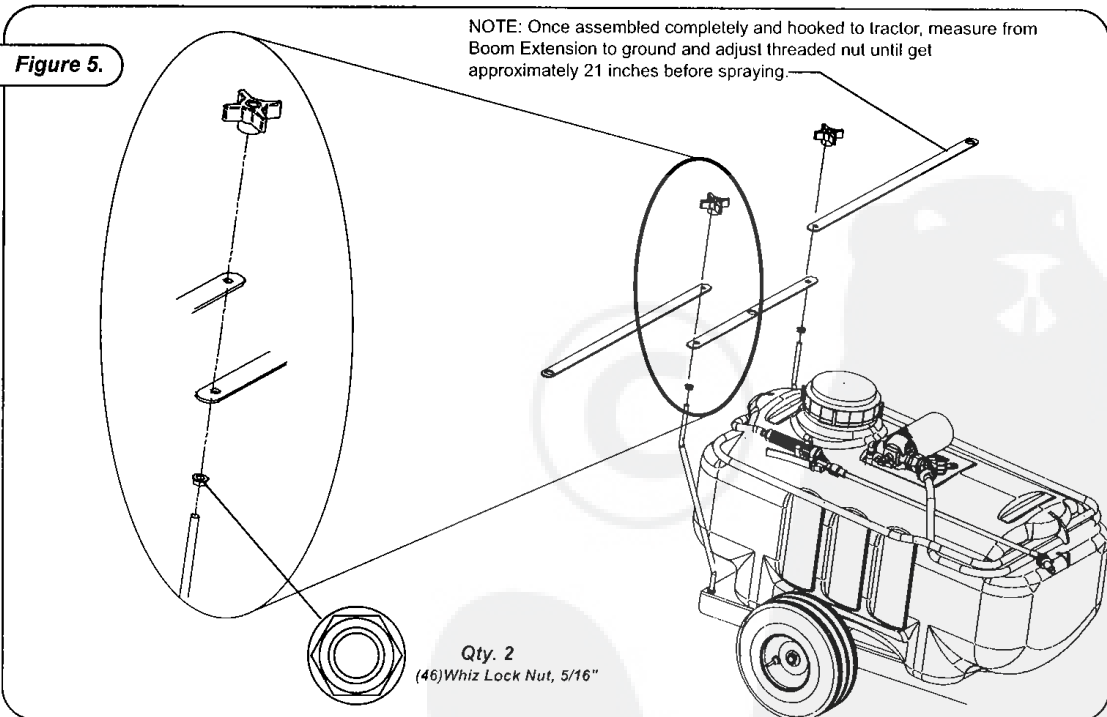
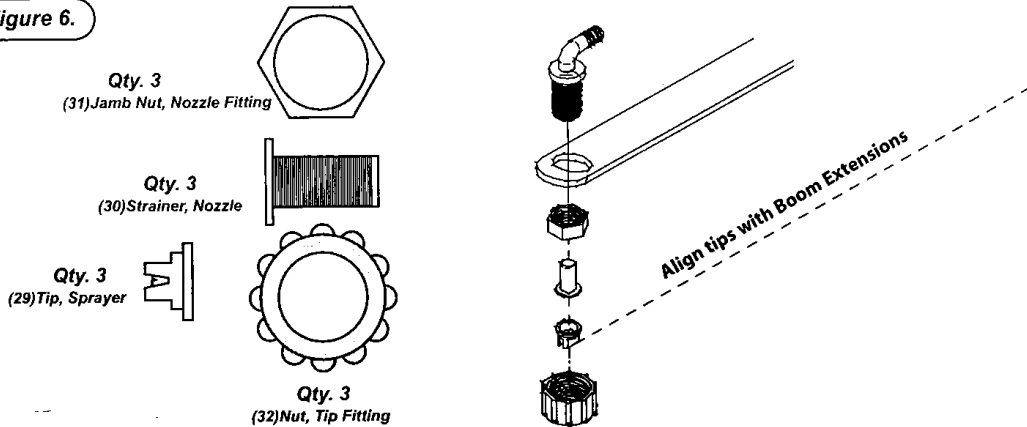


Figure 6.



## MAINTENANCE

The key to years of trouble-free service is to keep your Sprayer clean and dry.

Never allow wet material to remain in Sprayer for extended periods of time.

Occasionally check all moving parts for free movement and, if necessary, lubricate with oil.

Should rust develop, sand lightly and then paint area with enamel.

Periodically check all fasteners for tightness. Drain chemicals after each use. Once drained, flush system clean.

For Winter Storage: Flush out entire system, and store dry with no liquid in the pump to prevent freezing and breakage.

## SPRAYER TIPS

Once assembled completely and hooked to tractor, measure from Boom Extension to ground and adjust threaded nut until get approximately 21 inches before spraying.

NEVER let the Sprayer operate in one spot. Turn Sprayer off to avoid over application of chemicals.

Turn Sprayer off during turns to avoid double spray.

Fill Sprayer where spills cannot harm grass.

Follow spray material manufacturer's recommended mixing instructions, concentrations, and application rate.

Be sure to follow chemical manufacturers disposal and safety requirements.

When Backing up, carefully back STRAIGHT to avoid "jack-knifing", which can cause damage to your equipment.

Remember to always add chemicals to water, not water to chemicals. Chemicals have tendency to splash and may be harmful.

## ELECTRICAL CONNECTIONS

Your Brinly Sprayer uses 12-volt D.C. power.

Attach the Red Lead to the Positive terminal of your battery. Attach the Black Lead to the Negative terminal of your battery.

Caution should always be exercised whenever working on or around batteries.

Heavy Gloves and Eye Protection should be worn when making connections to the battery.

Make sure to periodically check the fuse within the wiring harness.

# MANUAL DEL PROPIETARIO

¡FELICIDADES por su nuevo rociador Brinly-Hardy! Su rociador ha sido diseñado, planeado y manufacturado para darle a usted la mejor confiabilidad y rendimiento posibles.

Si tiene algún problema que no puede remediar fácilmente, no dude en llamar sin cargo a nuestro **Departamento de Servicio al Cliente** al **1-877-728-8224**.

## RESPONSABILIDADES DEL CLIENTE

Por favor lea y conserve este manual. Las instrucciones le facilitarán el armado y el mantenimiento apropiados de su rociador. Por favor, siga siempre las instrucciones descritas en la sección "Reglas de seguridad". Por favor, observe siempre las reglas de seguridad.

Siga un programa regular de mantenimiento, cuidado y uso de su rociador Brinly.

## ÍNDICE

|                           |      |
|---------------------------|------|
| REGLAS DE SEGURIDAD ..... | 2    |
| COMPONENTES .....         | 3    |
| REFERENCIA .....          | 4, 6 |
| LISTA DE PIEZAS .....     | 5, 7 |
| MONTAJE .....             | 8-10 |
| CONEXIÓN ELÉCTRICA .....  | 10   |
| MANTENIMIENTO .....       | 3    |
| OPERACIÓN .....           | 10   |
| PRODUCTOS .....           | 11   |
| GARANTÍA .....            | 1    |

## REGLAS PARA LA OPERACIÓN SEGURA

- Conozca los controles y las funciones de seguridad del equipo de remolque. **PARA OBTENER INSTRUCCIONES SOBRE LA OPERACIÓN SEGURA DEL EQUIPO, ¡LEA EL MANUAL DEL PROPIETARIO!**
- No permita que los niños operen el vehículo. No deje que los adultos lo hagan si no han recibido instrucciones adecuadas o si no han leído el manual del propietario.
- No transporte pasajeros. Mantenga a niños y animales alejados de la unidad y a una distancia segura.
- Use siempre calzado fuerte. No use ropa floja que pueda atorarse en las piezas móviles.
- Concentre su vista y su mente en el tractor, el accesorio y la zona de trabajo. No se distraiga con otras cosas.
- Manténgase alerta para evitar pozos en el terreno y otros peligros ocultos.
- No conduzca cerca de arroyos, zanjas y carreteras públicas.
- Cuidese del tráfico al cruzar calles o al conducir cerca de ellas.
- Al usar cualquier accesorio, no permita que ninguna persona se acerque al vehículo durante la operación.
- Mantenga el vehículo y el accesorio en buenas condiciones de operación y mantenga los dispositivos de seguridad en su lugar.
- Mantenga apretados todos los tornillos, tuercas y pernos, para asegurarse de que el equipo esté en condiciones de trabajo seguras.
- En caso de golpear contra algún objeto externo, detenga el vehículo y el accesorio e inspecciónelos para comprobar que no estén dañados. Todo daño debe ser reparado antes de volver a poner en marcha y operar el equipo.
- Para obtener instrucciones sobre la operación segura del equipo, lea el manual del propietario del tractor.



## ¡PRECAUCIÓN!

¡Siempre agregue los productos químicos al agua y no al revés!

**NO USE** productos químicos inflamables.

Evite que la manguera utilizada para llenar el tanque entre en contacto con los productos químicos. En caso contrario, el sistema de manguera podría contaminarse.

Utilice y deseche los productos químicos de acuerdo con las instrucciones del fabricante.

No vacíe nunca el tanque en un drenaje o cerca de lagos o corrientes de agua.

Al cargar el rociador y al rociar productos químicos, asegúrese siempre de usar protección ocular (antiparras).

Utilice ropa de protección adecuadamente ajustada que cubra los brazos y las piernas.

Siga las instrucciones del fabricante del producto químico.

**NO** permita que los niños se suban o se acerquen al rociador cuando esté en uso.

Opere siempre el rociador dentro de los límites de velocidad para los cuales fue diseñado (2 a 5 mph).

Al retroceder, hágalo cuidadosamente y en forma recta para evitar que el remolque se doble en ángulo, pues esto podría causar daños al equipo.

El rociador cargado con 15 galones de agua pesa aproximadamente 150 libras.

**¡TENGA EN CUENTA LA DISTANCIA ADICIONAL REQUERIDA PARA FRENAR!**

Este producto no ha sido diseñado para acarrear arena o grava, ni tampoco para transportar pesos excesivos.

¿PREGUNTAS SOBRE LA INSTALACIÓN?

¿PIEZAS FALTANTES?

¿PIEZAS DE REPUESTO?

**¡NO VUELVA A LA TIENDA!**

Por favor llame sin cargo a nuestro Departamento de Servicio al Cliente  
**877.728.8224**  
o escriba a  
customerservice@brinly.com



Este símbolo contribuirá a señalar las precauciones de seguridad importantes que aparecen a lo largo de este manual. El mismo significa ¡ATENCIÓN!  
¡MANTÉNGASE ALERTA! Su seguridad está en juego.

**REFERENCIA**

**Herramientas requeridas para el montaje:**  
 Llave de 1/2 pulg. (2)  
 Llave de 7/16 pulg. (2)  
 Pinzas  
 Cinta de medición

**OPERACIÓN (EE.UU., bomba de 1.8 galones/minuto)**

**TASA DE APLICACIÓN DEL APLICADOR MANUAL**

La siguiente información sobre su rociador le ayudará a calibrar la tasa de aplicación. El rociador funciona con una presión fija de 60 psi. Esto resulta en un tiempo de rociado de 30 minutos (usando la pistola del aplicador manual) con la unidad de 25 galones y de 18 minutos con la unidad de 15 galones.

**TASA DE APLICACIÓN DEL AGUILÓN**

| Producto | Galones por acre |      |      |      |
|----------|------------------|------|------|------|
|          | mph              |      |      |      |
|          | 2                | 3    | 4    | 5    |
| ST-250   | 56.5             | 37.5 | 28.0 | 22.5 |
| ST-150   | 69.5             | 46.0 | 34.5 | 27.5 |

| Producto | Galones/1000 pies <sup>2</sup> |     |     |     |
|----------|--------------------------------|-----|-----|-----|
|          | mph                            |     |     |     |
|          | 2                              | 3   | 4   | 5   |
| ST-250   | 1.3                            | 0.9 | 0.6 | 0.5 |
| ST-150   | 1.6                            | 1.1 | 0.8 | 0.6 |

**REQUISITOS DEL TRACTOR**

Para la operación correcta del rociador Brinly, el equipo de remolque debe estar equipado con una batería y un sistema de carga de 12 V, así como con un enganche para barra de remolque.

El equipo de remolque debe contar con un sistema de frenos que funcionen correctamente, capaz de controlar el frenado del rociador cargado y del tractor.

**CALIBRACIÓN DE LA VELOCIDAD**

Midiendo una distancia de 50 ó 100 pies, la velocidad del tractor puede calibrarse seleccionando una marcha y una posición del acelerador que permitan recorrer la distancia indicada en el tiempo establecido, como se muestra a continuación:

| Velocidad mph | Tiempo de recorrido (segundos): |          |
|---------------|---------------------------------|----------|
|               | 50 pies                         | 100 pies |
| 2             | 17                              | 34       |
| 3             | 11                              | 22       |
| 4             | 9                               | 17       |
| 5             | 7                               | 14       |

**PROCEDIMIENTO DE CÁLCULO PARA LA APLICACIÓN DE ROCÍO**

Usualmente, las etiquetas de los productos químicos indican las tasas de aplicación expresadas en galones por acre o en galones por pie cuadrado. Utilizando el método descrito a continuación, es posible determinar la cantidad apropiada de agua y la velocidad de avance requerida, de acuerdo con las instrucciones recomendadas por el fabricante.

1. Según el tamaño de su jardín, seleccione la cantidad de agua que debe utilizar. Para ello, utilice la siguiente fórmula:

12.

Tasa de aplicación x Área a rociar = Cantidad de agua (según la tabla)

Ejemplo 1

Rociador= ST-250

Tamaño del jardín= 4 acres

Ejemplo 2

Rociador= ST-250

Tamaño del jardín = 20,000 pies<sup>2</sup>

Utilizando la tabla y la fórmula anterior:

|   |  |
|---|--|
| 56.5 gal./acre x 4 acres = 225.6 gal. a 2 mph | 1.3 gal./1000 pies <sup>2</sup> x 20,000 pies <sup>2</sup> = 26 gal. a 2 mph |
| 37.5 gal./acre x 4 acres = 149.6 gal. a 3 mph | 0.9 gal./1000 pies <sup>2</sup> x 20,000 pies <sup>2</sup> = 18 gal. a 3 mph |
| 28.0 gal./acre x 4 acres = 112.0 gal. a 4 mph | 0.6 gal./1000 pies <sup>2</sup> x 20,000 pies <sup>2</sup> = 12 gal. a 4 mph |
| 22.5 gal./acre x 4 acres = 90.00 gal. a 5 mph | 0.5 gal./1000 pies <sup>2</sup> x 20,000 pies <sup>2</sup> = 10 gal. a 5 mph |

2. Elija la velocidad y el volumen de agua que debe utilizar:

Ejemplo 1

Una velocidad de trabajo cómoda para el tractor es 3 mph:

Ejemplo 2

Dado que 18 galones pueden aplicarse llenando el tanque una sola vez:

Selección = 149.6 a 150 gal. a 3 mph      Selección = 18 galones a 3 mph

3. Determine cuántos tanques se requieren para completar la tarea:

Volumen de agua / Capacidad del tanque = Número de tanques (resultado del paso 1)

Si el número de tanques es menor que 1.0, considere 1.0.

Ejemplo 1

150 gal./25 = 6.0 tanques

Ejemplo 2

18 gal./25 = 0.7 tanques (considere 1.0 tanque)

4. Determine la cantidad de producto químico a utilizar:

Tasa (etiqueta del producto) x Área a rociar = Cantidad de producto requerida

Ejemplo 1

Etiqueta = 20 onzas/acre

20 onzas x 4 acres = 80 onzas

Ejemplo 2

Etiqueta = 1/2 pinta/1000 pies<sup>2</sup>

1/2 pinta/1000 pies<sup>2</sup> x 20,000 pies<sup>2</sup> = 10 pintas

5. Determine la cantidad de producto químico a usar en cada tanque:

Cantidad de producto (resultado del paso 4) x N.º de tanques (resultado del paso 3) = producto por tanque

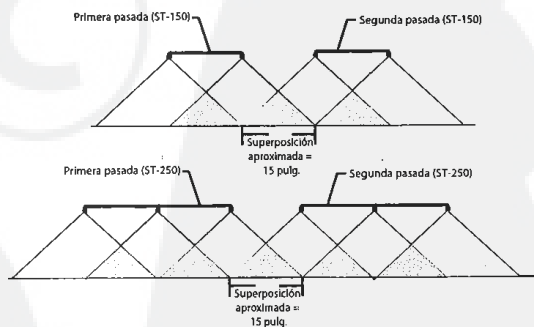
Ejemplo 1

80 onzas/6.0 tanques = 13.3 onzas/tanque

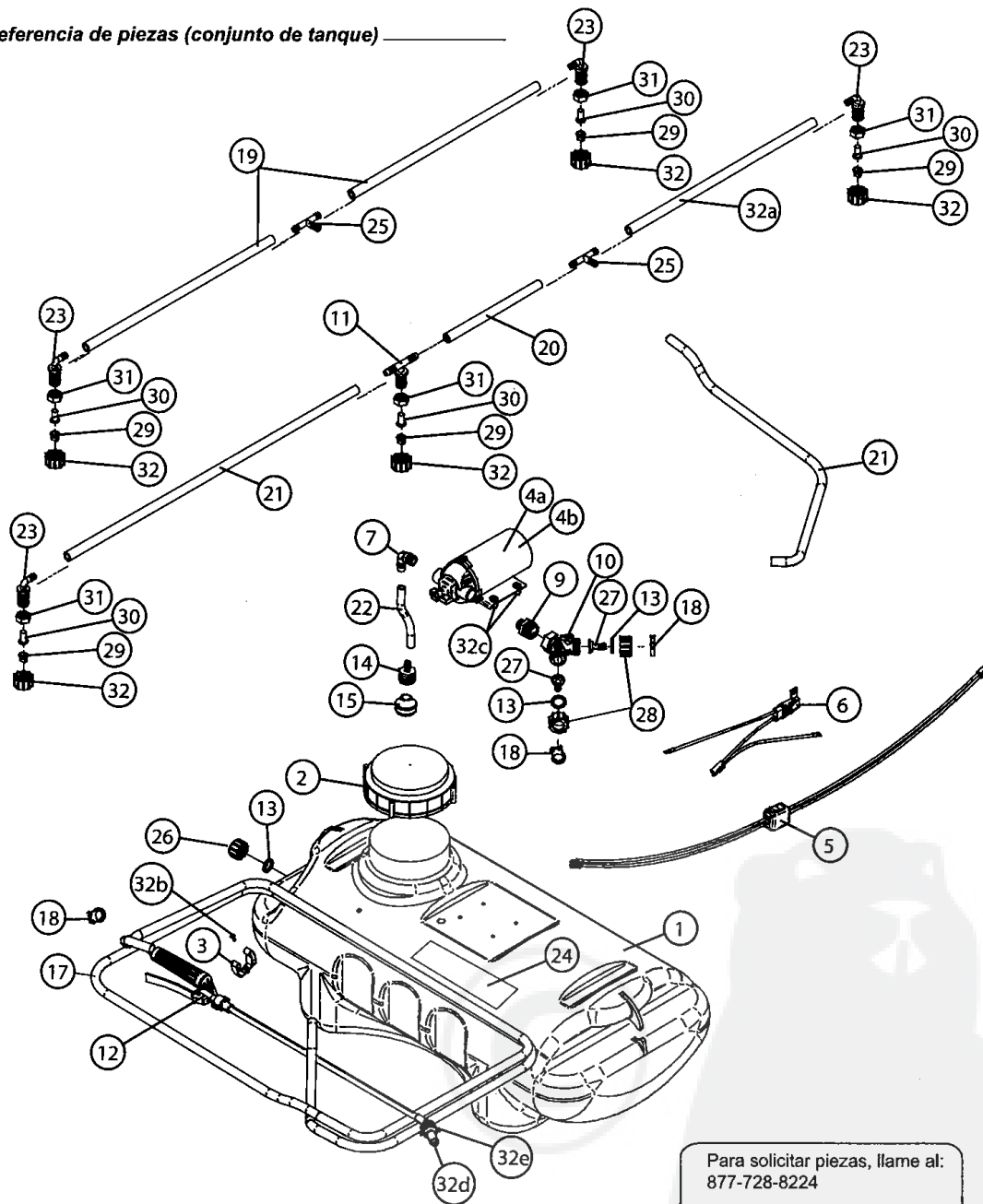
Ejemplo 2

10 pintas/1 tanque = 10 pintas

**SUPERPOSICIÓN DE PASADAS DEL ROCIADOR**



Referencia de piezas (conjunto de tanque)



Para solicitar piezas, llame al:  
877-728-8224

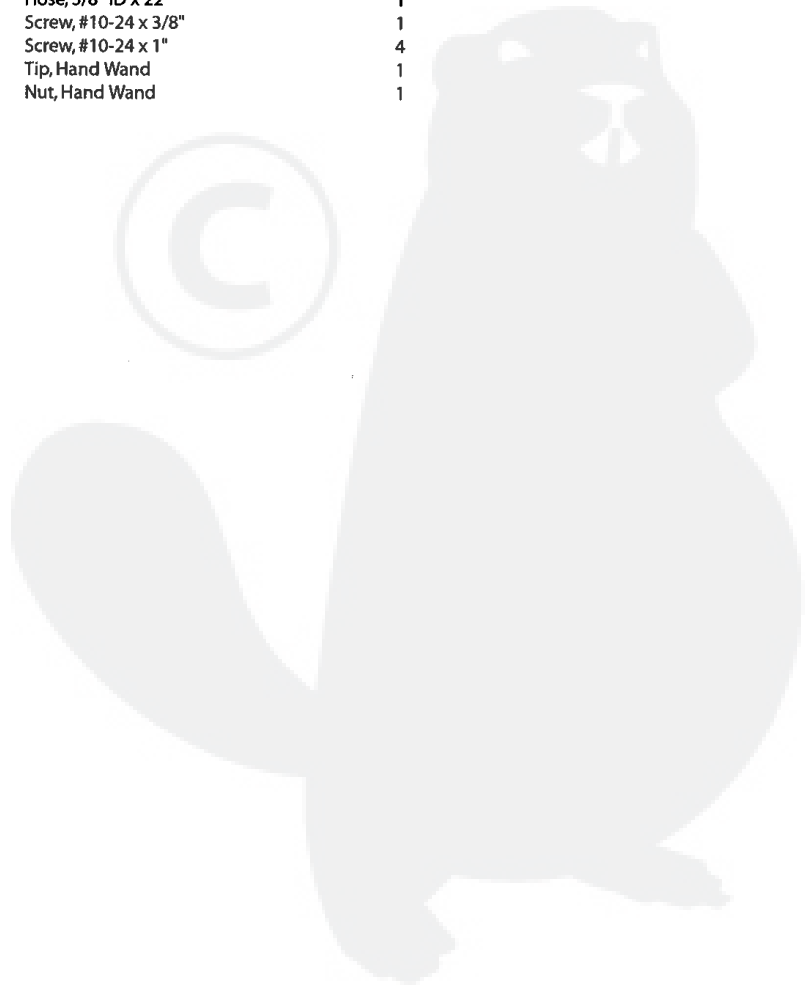
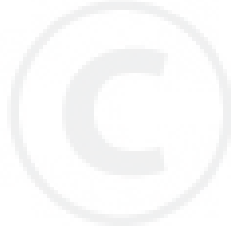
Visitenos en la web:  
[www.brinly.com](http://www.brinly.com)

**Lista de piezas (conjunto de tanque)**

| Ref. N. | Pieza N. |          | Descripción                                 | Cant. |
|---------|----------|----------|---|-------|
|         | ST-150   | ST-250   |   |       |
| 1.      | B-6026   | B-6025   | Sprayer Tank,                               | 1     |
| 2.      | B-6028   | B-6028   | Tank Cap                                    | 1     |
| 3.      | B-6511   | B-6511   | Clip, Gun Holder w/screw(22M0606P)          | 1     |
| 4a.     | B-6027   | B-6027   | Pump, U.S. only                             | 1     |
| 4b.     | B-6279   | B-6279   | Pump, "CE" Certified Export                 | 1     |
| 5.      | B-6030   | B-6030   | Wiring Harness w/switch                     | 1     |
| 6.      | B-6031   | B-6031   | Wiring Harness, Battery Connection          | 1     |
| 7.      | B-6046   | B-6046   | Elbow 90deg., 3/8" M.P.T. x 3/8" H.B.       | 1     |
| 9.      | B-6513   | B-6513   | Nipple, Reducing, 1/2" M.P.T. x 3/8" M.P.T. | 1     |
| 10.     | B-6512   | B-6512   | Tee, F.M.P.T.                               | 1     |
| 11.     |          | B-6044   | Nozzle Body, Tee w/ 3/8" HB                 | 1     |
| 12.     | B-6400   | B-6400   | Spray Gun( B-6583 - Tip only for service)   | 1     |
| 13.     | B-6054   | B-6054   | Washer, Black Vinyl 1" OD x 3/4" ID         | 3     |
| 14.     | B-6598   | B-6598   | Hose Barb, 1/4" M.P.T. x 3/8" H.B.          | 1     |
| 15.     | B-6597   | B-6597   | Strainer, 1/4", #40 mesh                    | 1     |
| 17.     | B-6033   | B-6033   | Hose, 3/8" ID x 12'                         | 1     |
| 18.     | B-6047   | B-6047   | Hose Clamp                                  | 3     |
| 19.     | B-6037   |          | Hose, 3/8" ID x 15"                         | 2     |
| 20.     |          | B-6036   | Hose, 3/8" ID x 7-1/2"                      | 1     |
| 21.     | B-6034   | B-6034   | Hose, 3/8" ID x 30"                         | 1 o 2 |
| 22.     | B-6088   | B-6087   | Hose, 3/8" ID                               | 1     |
| 23.     | B-6043   | B-6043   | Nozzle Body, 90deg, 3/8" H.B.               | 2     |
| 24.     | B-6020   | B-6020   | Caution Decal                               | 1     |
| 25.     | B-6045   | B-6045   | Hose Barb, Tee, 3/8" x 3/8"                 | 1     |
| 26.     | B-6578   | B-6578   | Drain Cap                                   | 1     |
| 27.     | B-6055   | B-6055   | Hose Barb, Flat Seat, 3/8" H.B.             | 2     |
| 28.     | B-6056   | B-6056   | Nut, Hose Swivel, 3/4" F.G.H.T.             | 2     |
| 29.     | B-6514   | B-6514   | Tip, Sprayer                                | 2 o 3 |
| 30.     | B-6040   | B-6040   | Strainer, Nozzle                            | 2 o 3 |
| * 31.   | B-6041   | B-6041   | Jamb Nut, Nozzle Fitting                    | 2 o 3 |
| * 32.   | B-6042   | B-6042   | Nut, Tip Fitting                            | 2 o 3 |
| * 32a.  |          | B-6035   | Hose, 3/8" ID x 22"                         | 1     |
| * 32b.  | 22M0606P | 22M0606P | Screw, #10-24 x 3/8"                        | 1     |
| 32c.    | 22M0616P | 22M0616P | Screw, #10-24 x 1"                          | 4     |
| 32d.    | B-6583   | B-6583   | Tip, Hand Wand                              | 1     |
| 32e.    | B-6584   | B-6584   | Nut, Hand Wand                              | 1     |

\* - Bolsa "B" (Z-1704) para ST-250

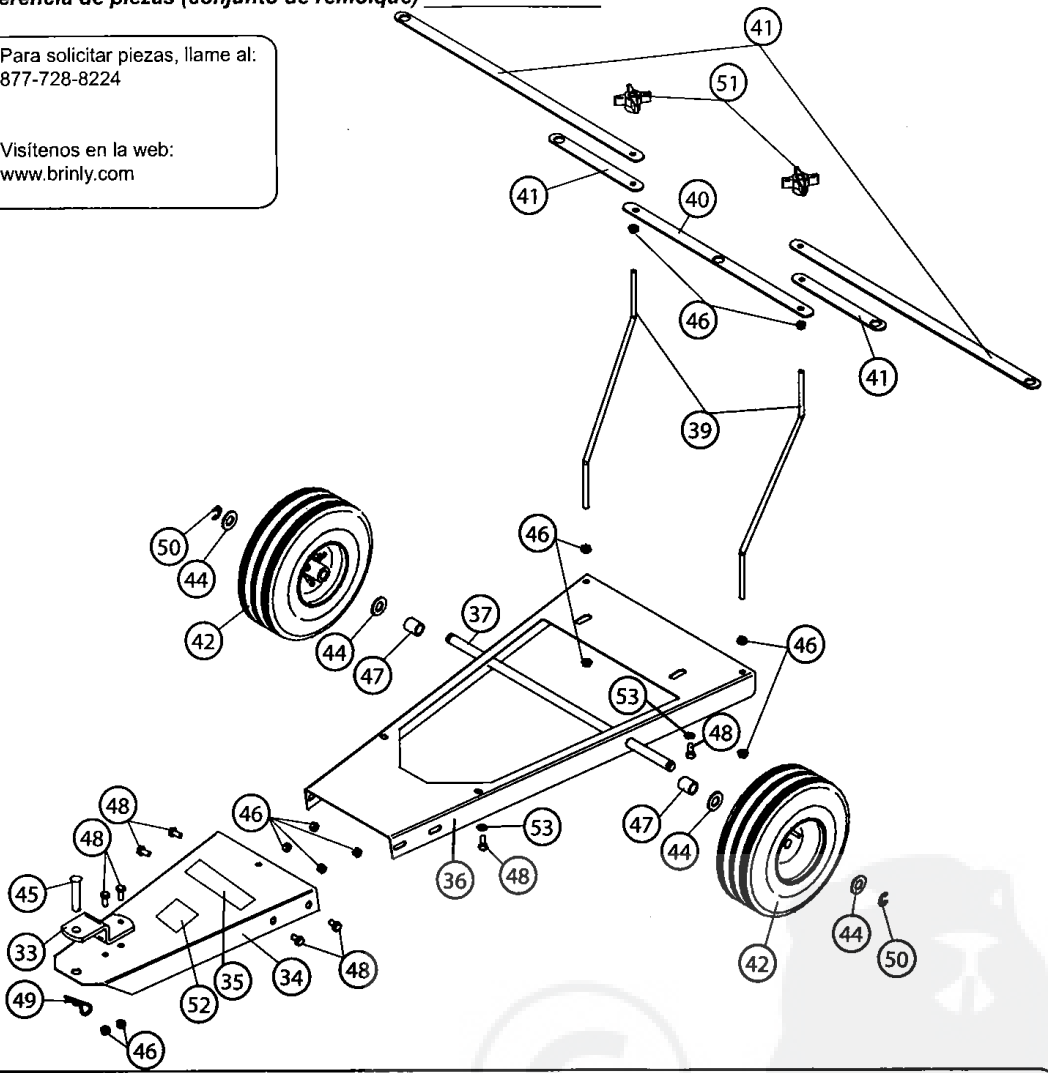
\* - Bolsa "B" (Z-1706) para ST-150



**Referencia de piezas (conjunto de remolque)**

Para solicitar piezas, llame al:  
877-728-8224

Visítenos en la web:  
[www.brinly.com](http://www.brinly.com)



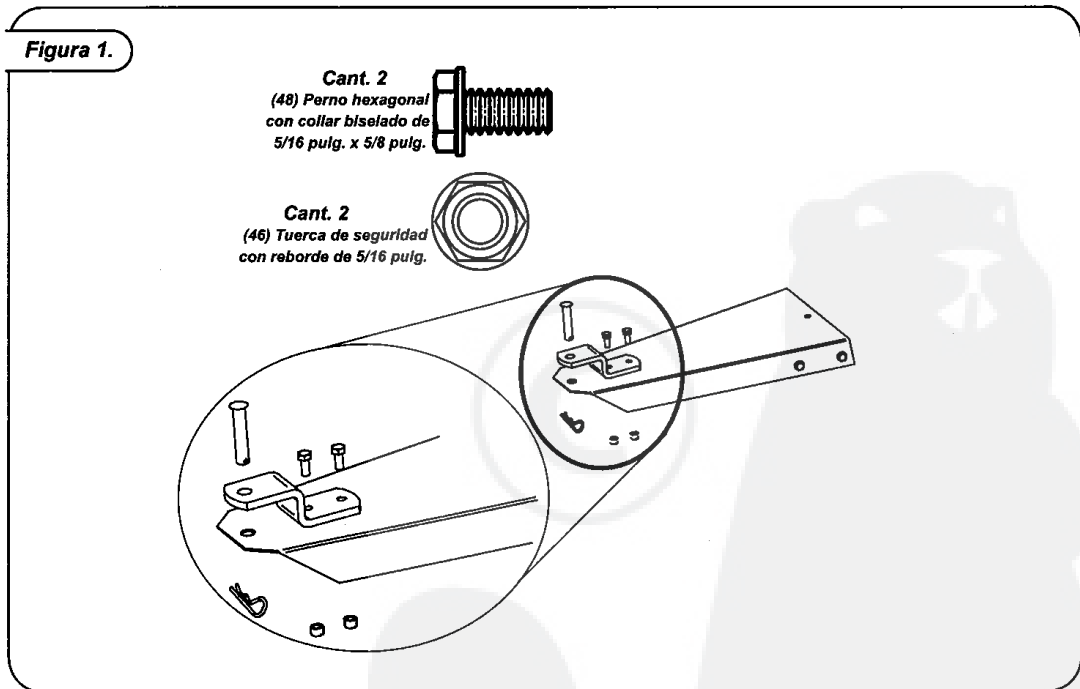
**NOTAS**

**Lista de piezas (conjunto de estructura)**

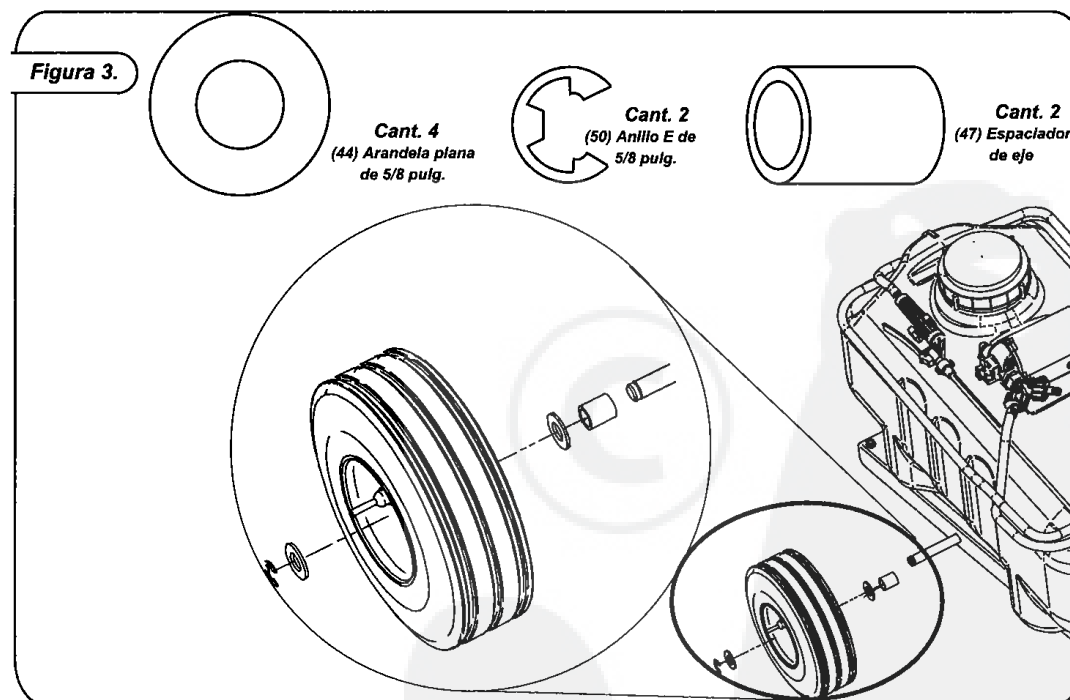
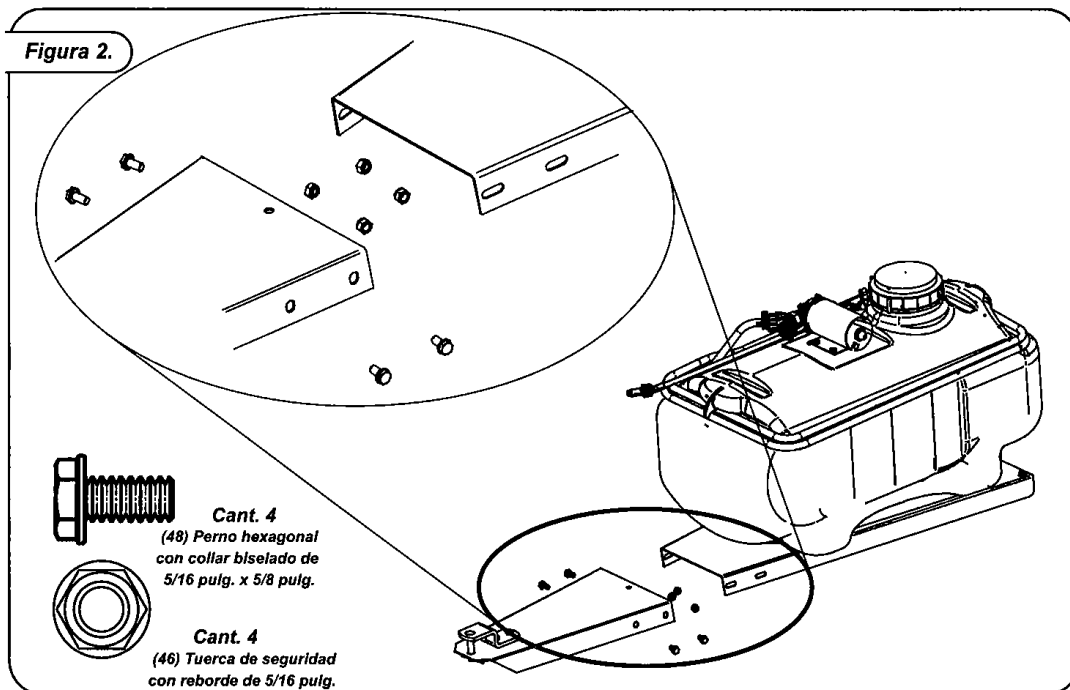
| Ref. N. | Pieza N.   |            | Descripción                  | Cant. |
|---------|------------|------------|------------------------------|-------|
|         | ST-150     | ST-250     |                              |       |
| 33.     | B-3034-10  | B-3034-10  | Clevis                       | 1     |
| 34.     | B-6322F-10 | B-6322F-10 | Drawbar                      | 1     |
| 35.     | B-5922     | B-5922     | Logo Decal                   | 1     |
| 36.     | B-6322R-10 | B-6322R-10 | Base                         | 1     |
| 37.     | B-5684     | B-5684     | Axle                         | 1     |
| 39.     | B-5687     | B-5687     | Boom Support                 | 2     |
| 40.     | B-5688-10  | B-5688-10  | Boom Bar                     | 1     |
| 41.     | B-5689-10  | B-5690-10  | Boom Extension               | 2     |
| 42.     | B-5692     | B-5692     | Wheel                        | 2     |
| ** 44.  | 45M2121P   | 45M2121P   | 5/8" Flat Washer             | 4     |
| ** 45.  | B-3861     | B-3861     | Hitch Pin                    | 1     |
| ** 46.  | B-4355     | B-4355     | 5/16" Whiz Lock Nut          | 12    |
| ** 47.  | B-5691     | B-5691     | Axle Spacer                  | 2     |
| ** 48.  | B-5695     | B-5695     | 5/16" x 5/8" Hex Flange Bolt | 10    |
| ** 49.  | D-146P     | D-146P     | Hitch Pin Cotter             | 1     |
| ** 50.  | F-577      | F-577      | 5/8" E-Ring                  | 2     |
| ** 51.  | F-782      | F-782      | Knob                         | 2     |
| 52.     | R-1946     | R-1946     | Caution Decal                | 1     |
| 53.     | R-618      | R-618      | Washer, Special              | 4     |

\*\* - Bolsa "A" (Z-1705)

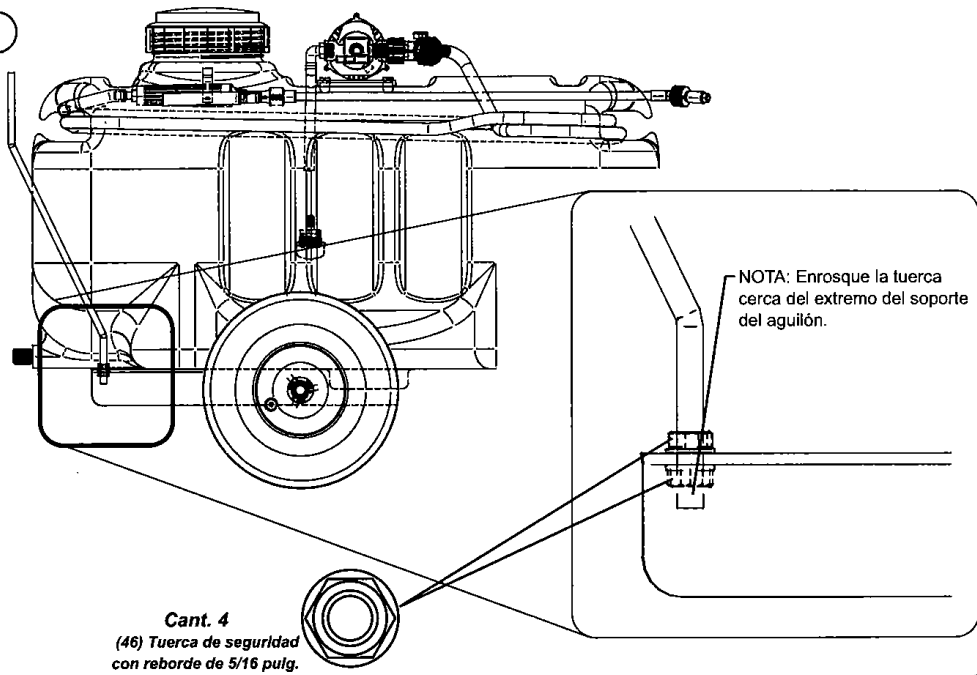
**Figura 1.**







**Figura 4.**



**Figura 5.**

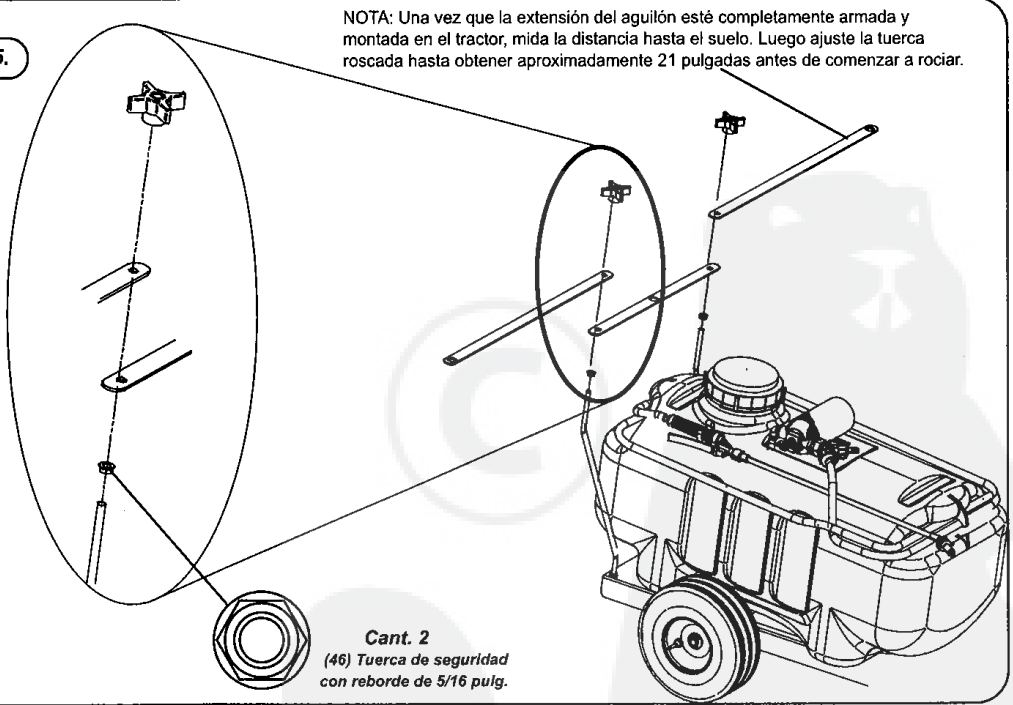
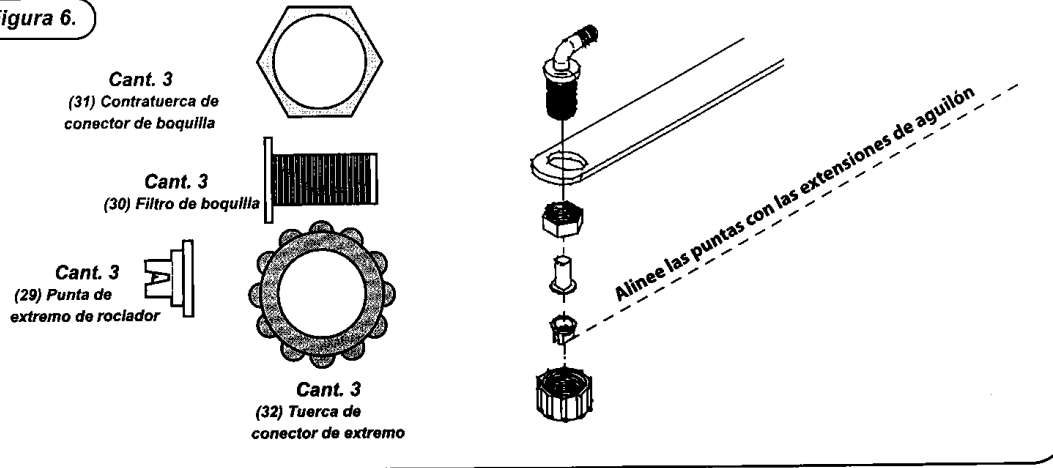


Figura 6.



## MANTENIMIENTO

La clave para obtener muchos años de servicio sin problemas es mantener el rociador limpio y seco.

No permita que el material húmedo permanezca en el rociador por períodos prolongados.

Ocasionalmente, compruebe que todas las piezas móviles se muevan libremente y, de ser necesario, lubríquelas con aceite.

En caso de que se forme óxido sobre una superficie, lijela ligeramente y luego píntela con esmalte.

Compruebe periódicamente que todos los elementos de fijación estén ajustados.

Después de cada uso, vacíe los productos químicos del tanque. Una vez que el tanque haya sido drenado, limpie el sistema enjuagándolo con agua.

Almacenamiento durante el invierno: Enjuague todo el sistema y guárdelo seco, sin líquido en la bomba, para evitar roturas por congelamiento.

## CONSEJOS PARA EL USO DEL ROCIADOR

Una vez que la extensión del aguilón esté completamente armada y montada en el tractor, mida la distancia hasta el suelo. Luego ajuste la tuerca roscada hasta obtener aproximadamente 21 pulgadas antes de comenzar a rociar.

NUNCA permita que el rociador opere en un mismo punto. Apague el rociador para evitar la aplicación excesiva de productos químicos.

Al virar, apague el rociador para no rociar dos veces un

mismo lugar.

Cargue el tanque del rociador en lugares donde los derrames accidentales no puedan dañar el césped.

Consulte las instrucciones de mezclado, las concentraciones y las tasas de aplicación recomendadas por el fabricante del material a rociar.

Asegúrese de respetar los requisitos de eliminación y seguridad del fabricante del producto químico.

Al retroceder, hágalo en forma RECTA para evitar que el remolque se doble en ángulo, pues esto podría causar daños al equipo.

¡Siempre agregue los productos químicos al agua y no al revés! Los productos químicos tienen tendencia a salpicar y pueden causar daños.

## CONEXIONES ELÉCTRICAS

El rociador Brinly utiliza energía eléctrica de 12 V de corriente continua.

Conecte el terminal rojo al borne positivo de la batería. Conecte el terminal negro al borne negativo de la batería.

Preste siempre atención al trabajar con baterías o cerca de ellas.

Al efectuar conexiones a la batería, utilice guantes gruesos y protección para los ojos.

Compruebe periódicamente la condición del fusible en el mazo de cables.

# MANUEL DU PROPRIÉTAIRE

FÉLICITATIONS pour votre nouveau pulvérisateur Brinly-Hardy ! Il a été conçu, usiné et fabriqué pour vous offrir la meilleure fiabilité et la meilleure performance possibles.

Si vous avez des problèmes que vous ne pouvez pas corriger facilement, n'hésitez pas à contacter notre **service à la clientèle** qualifié au numéro sans frais suivant : **1-877-728-8224**. Nous comptons des techniciens compétents, bien formés pour vous aider à réparer votre aérateur.

## RESPONSABILITÉS DU CLIENT

Veuillez lire et conserver ce manuel. Les instructions vous permettront d'assembler et de faire l'entretien approprié de votre pulvérisateur. Veuillez aussi toujours respecter les « règles de sécurité ».

Respectez un horaire régulier d'entretien et d'utilisation de votre aérateur-épandeur.

## TABLE DES MATIÈRES

|                            |        |
|----------------------------|--------|
| RÈGLES DE SÉCURITÉ .....   | 2      |
| QUINCAILLERIE .....        | 3      |
| RÉFÉRENCE .....            | 4,6    |
| LISTE DE PIÈCES .....      | 5, 7   |
| ASSEMBLAGE .....           | 8 à 10 |
| CONNEXION ÉLECTRIQUE ..... | 10     |
| ENTRETIEN .....            | 3      |
| MODE D'EMPLOI .....        | 10     |
| PRODUITS .....             | 11     |
| GARANTIE .....             | 1      |

## RÈGLES DE FONCTIONNEMENT SANS DANGER

Connaissez les commandes de l'équipement de remorquage et les fonctions de sécurité. LISEZ LE MANUEL DU PROPRIÉTAIRE DE VOTRE ÉQUIPEMENT POUR UNE UTILISATION SANS DANGER !

Ne laissez pas les enfants utiliser le véhicule, ne laissez pas les adultes faire fonctionner l'appareil sans avoir les instructions appropriées ou sans avoir lu le manuel du propriétaire.

Ne transportez pas de passagers. Tenez les enfants et les animaux domestiques à une distance sécuritaire.

Portez toujours des souliers robustes. Ne portez pas de vêtements amples qui pourraient se prendre dans les pièces mobiles.

Surveillez et soyez alerte face à votre tracteur/accessoire et la zone à couvrir. Ne laissez rien vous distraire.

Restez vigilant pour voir tous les trous sur le terrain et autres dangers cachés.

Ne circulez pas près de ruisseaux, fossés et voies publiques.

Attention à la circulation en traversant les routes ou en vous déplaçant près des routes.

En utilisant un accessoire, ne laissez personne près de l'appareil lorsqu'il est en marche.

Gardez le véhicule et l'accessoire en bon état et les dispositifs de sécurité en place.

Gardez tous les écrous, boulons et vis serrés pour vous assurer que l'équipement soit en bon état de marche.

Le véhicule et l'accessoire doivent être arrêtés et inspectés pour tout signe de dommage après avoir frappé un objet étranger. Tout dommage doit être réparé avant de redémarrer et de faire fonctionner l'équipement.

Consultez le manuel du propriétaire de l'équipement à tracteur pour une utilisation sécuritaire de l'équipement.

## ⚠ ATTENTION :

Ajoutez toujours les produits chimiques à l'eau, non pas l'eau aux produits chimiques !

N'utilisez PAS de produits chimiques inflammables.

Gardez le tuyau d'eau utilisé pour remplir le réservoir hors des produits chimiques car sinon cela pourrait contaminer le système de tuyau.

Utilisez et éliminez les produits chimiques correctement et conformément aux instructions du fabricant.

Ne videz jamais le réservoir dans un drain ou près d'un lac ou d'un ruisseau.

Assurez-vous de toujours porter des lunettes de protection en remplissant votre pulvérisateur et en pulvérisant des produits chimiques.

Portez toujours des vêtements protecteurs bien ajustés et qui couvrent les bras et les jambes.

Suivez les instructions du fabricant des produits chimiques.

NE permettez PAS aux enfants de rester près ou sur le pulvérisateur lorsqu'il est utilisé.

Faites toujours fonctionner votre pulvérisateur dans les limites de vitesse prévues (2 à 5 mi/h).

En reculant soyez prudent et reculez avec soin bien droit pour éviter toute mise en tête-à-queue qui pourrait endommager votre équipement.

Votre pulvérisateur rempli de 15 gallons d'eau pèsera environ 150 livres.

## PRÉVOYEZ UNE DISTANCE SUPPLÉMENTAIRE D'ARRÊT !

Ce produit n'est pas conçu pour être utilisé dans le sable ou dans le gravier ou pour transporter des poids supplémentaires.

QUESTIONS  
D'INSTALLATION ?  
PIÈCES MANQUANTES ?  
PIÈCES DE RECHANGE ?

**NE RETOURNEZ  
PAS AU MAGASIN !**

Veuillez communiquer avec notre service à la clientèle au numéro sans frais suivant :  
**877.728.8224**  
ou  
[www.customerservice@brinly.com](http://www.customerservice@brinly.com)



Ce symbole aidera à souligner les précautions de sécurité importantes dans ce manuel. Ceci signifie - ATTENTION ! SOYEZ VIGILANT ! Votre sécurité est en jeu.

## RÉFÉRENCE

**Outils requis pour l'assemblage :**  
**clé de 1/2 po (2)**  
**clé de 7/16 po (2)**  
**Pinces**  
**Ruban à mesurer**

## MODE D'EMPLOI (É.-U. – pompe de 1,8 g/min)

### TAUX D'APPLICATION - BAGUETTE

Si vous comprenez l'information suivante au sujet de votre pulvérisateur, elle vous aidera à calibrer le taux d'application. Le pulvérisateur fonctionne à une pression fixe de 60 lb/po<sup>2</sup>. Ceci fournit une durée de pulvérisation réelle de 30 minutes (avec une lance de pulvérisation) pour un appareil de 25 gallons et de 18 minutes pour un appareil de 15 gallons.

### TAUX D'APPLICATION - RAMPE

| Produit | Gallons par acre |      |      |      |
|---------|------------------|------|------|------|
|         | mi/h             |      |      |      |
|         | 2                | 3    | 4    | 5    |
| ST-250  | 56,5             | 37,5 | 28,0 | 22,5 |
| ST-150  | 69,5             | 46,0 | 34,5 | 27,5 |

| Produit | Gallons par 1 000 pi <sup>2</sup> |     |     |     |
|---------|-----------------------------------|-----|-----|-----|
|         | mi/h                              |     |     |     |
|         | 2                                 | 3   | 4   | 5   |
| ST-250  | 1,3                               | 0,9 | 0,6 | 0,5 |
| ST-150  | 1,6                               | 1,1 | 0,8 | 0,6 |

## EXIGENCES DU TRACTEUR

Le pulvérisateur Brinly exige un équipement de remorquage avec système de charge et batterie de 12 volts et une attache de barre d'attelage pour faire fonctionner correctement le pulvérisateur Brinly.

L'équipement de remorquage doit avoir des freins en bon état qui peuvent contrôler le pulvérisateur chargé et le tracteur.

## CALIBRAGE DE VITESSE

Mesurez une distance de 50 ou 100 pieds et la vitesse du tracteur peut être calibrée en choisissant la position de l'embrayage et des gaz pour couvrir la distance prescrite dans le temps spécifié et tel qu'indiqué.

| Vitesse<br>mi/h | Secondes requises pour le déplacement : |           |
|-----------------|---|-----------|
|                 | 50 pieds                                | 100 pieds |
| 2               | 17                                      | 34        |
| 3               | 11                                      | 22        |
| 4               | 9                                       | 17        |
| 5               | 7                                       | 14        |

## PROCÉDURE DE CALCUL DE L'APPLICATION DU PULVÉRISATEUR

Les étiquettes de produits chimiques indiquent normalement les taux d'application en gallons par acre et en gallons par pied carré. Utilisez la méthode suivante et vous pourrez déterminer la quantité appropriée d'eau à utiliser ainsi que la vitesse de déplacement pour suivre de manière adéquate les instructions recommandées par le fabricant.

1. Selon la taille de votre terrain, choisissez la quantité d'eau à utiliser. Utilisez cette formule :

Taux d'application x superficie à pulvériser = quantité d'eau (du tableau)

### Exemple 1

Pulvérisateur= ST-250  
 Taille du terrain = 4 acres

### Exemple 2

Pulvérisateur= ST-250  
 Taille du terrain = 20 000 pi<sup>2</sup>

Utilisez le tableau et la formule précédente :

56,5 gal/ acre x 4 acres= 225,6 gal@ 2mi/h    1,3 gal/ 1 000 x 20 000 pi<sup>2</sup>= 26 gal@ 2mi/h  
 37,5 gal/ acre x 4 acres= 149,6 gal@ 3mi/h    0,9 gal/ 1 000 x 20 000 pi<sup>2</sup>= 18 gal@ 3mi/h  
 28,0 gal/ acre x 4 acres= 112,0 gal@ 4mi/h    0,6 gal/ 1 000 x 20 000 pi<sup>2</sup>= 12 gal@ 4mi/h  
 22,5 gal/ acre x 4 acres= 90,0 gal@ 5mi/h    0,5 gal/ 1 000 x 20 000 pi<sup>2</sup>= 10 gal@ 5mi/h

2. Choisissez la vitesse / quantité d'eau que vous désirez utiliser.

### Exemple 1

Une vitesse confortable pour une tondeuse autoportée est de 3 mi/h

### Exemple 2

Puisque 18 gallons se préparent d'un seul remplissage :

Choix = 149,6 ~ 150 gal@ 3mi/h

Choix = 18 gallons @ 3mi/h

3. Déterminez le nombre de réservoirs requis pour terminer le travail complet :

Quantité d'eau / capacité du réservoir = nombre de réservoirs de l'étape 1

Si le nombre de réservoirs est de moins de 1,0 utiliser 1,0

### Exemple 1

150 gal/ 25 = 6 réservoirs

### Exemple 2

18 gal/ 25 = 0,7 réservoirs utiliser 1,0 réservoir

4. Déterminez la quantité de produit chimique à utiliser :

Taux de l'étiquette du fabricant x la superficie à pulvériser = quantité de produit chimique requise

### Exemple 1

Étiquette = 20 onces/acre

### Exemple 2

Étiquette = 1/2 chopine/ 1 000 pi<sup>2</sup>

20 oz x 4 acres = 80 oz

1/2 chop/1 000 x 20 000 pi<sup>2</sup> = 10 chopines

5. Déterminez la quantité de produit chimique par réservoir :

Quantité de produit chimique (de l'étape 4) x Nb de réservoirs (de l'étape 3) = Quantité de produit chimique par réservoir

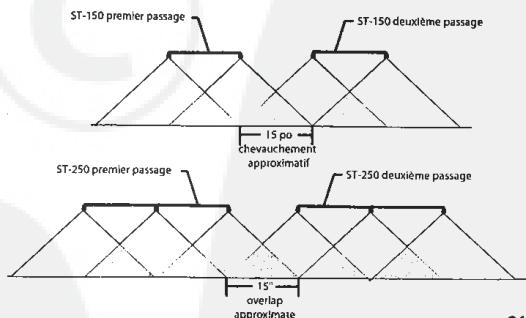
### Exemple 1

80 oz/ 6,0 réservoirs = 13,3 oz/réservoir

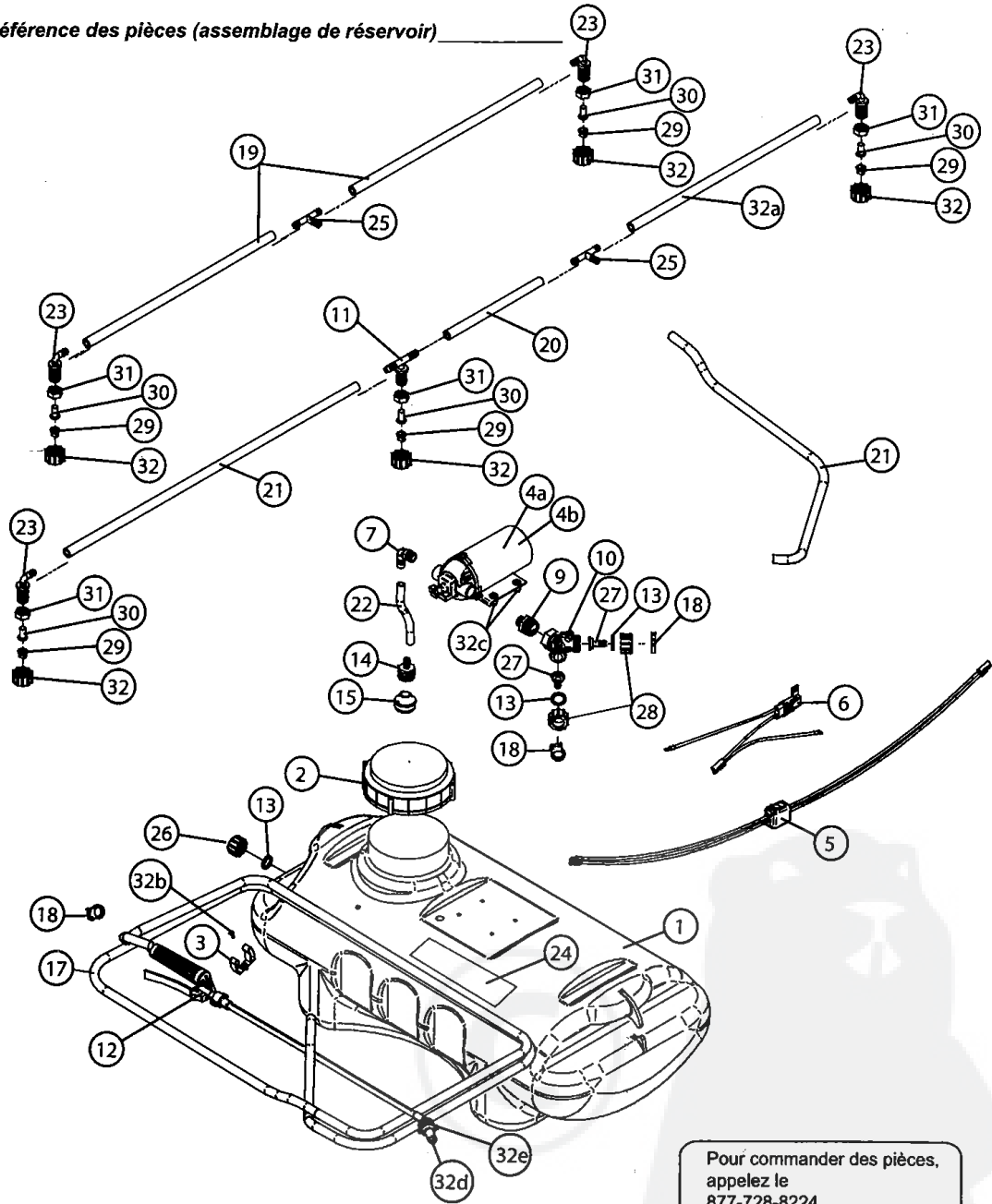
### Exemple 2

10 chopines/ 1 réservoir = 10 chopines

## CHEVAUCHEMENT DE PULVÉRISATION



Référence des pièces (assemblage de réservoir)



Pour commander des pièces,  
 appelez le  
 877-728-8224

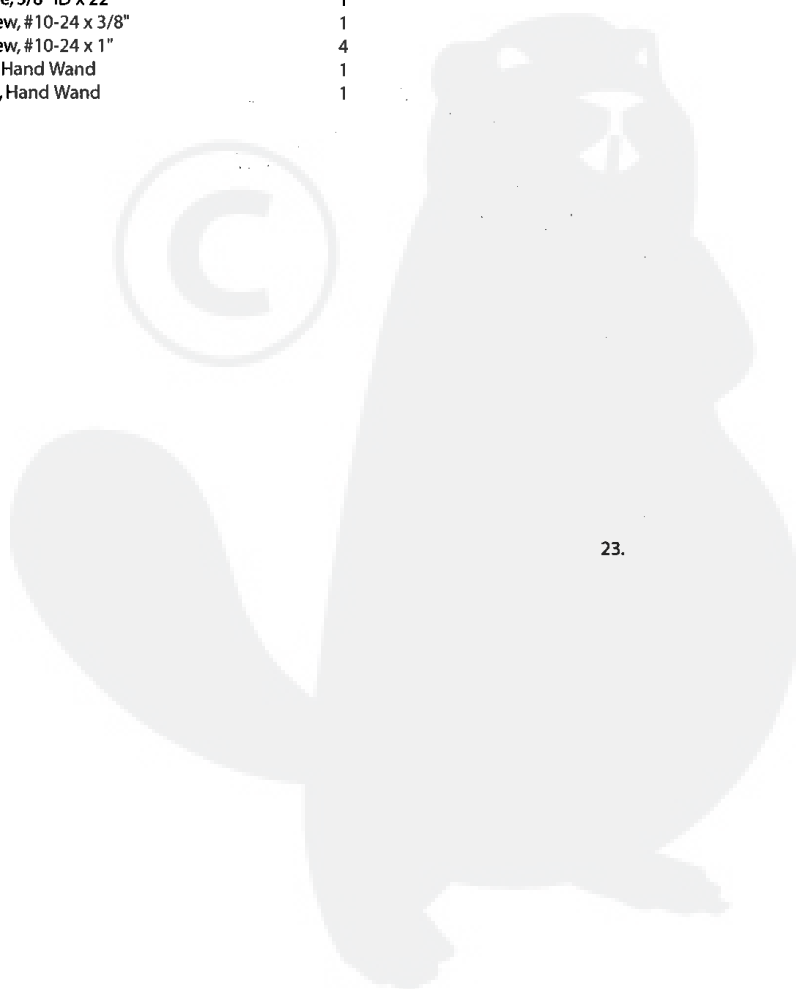
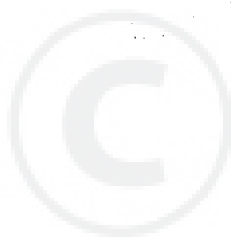
Visitez-nous sur le Web :  
[www.brinly.com](http://www.brinly.com)

**Liste de pièces (assemblage du réservoir)**

| N      | N e      |          | Description                                 | Qté    |
|--------|----------|----------|---|--------|
|        | ST-150   | ST-250   |   |        |
| 1.     | B-6026   | B-6025   | Sprayer Tank,                               | 1      |
| 2.     | B-6028   | B-6028   | Tank Cap                                    | 1      |
| 3.     | B-6511   | B-6511   | Clip, Gun Holder w/screw(22M0606P)          | 1      |
| 4a.    | B-6027   | B-6027   | Pump, U.S. only                             | 1      |
| 4b.    | B-6279   | B-6279   | Pump, "CE" Certified Export                 | 1      |
| 5.     | B-6030   | B-6030   | Wiring Harness w/switch                     | 1      |
| 6.     | B-6031   | B-6031   | Wiring Harness, Battery Connection          | 1      |
| 7.     | B-6046   | B-6046   | Elbow 90deg., 3/8" M.P.T. x 3/8" H.B.       | 1      |
| 9.     | B-6513   | B-6513   | Nipple, Reducing, 1/2" M.P.T. x 3/8" M.P.T. | 1      |
| 10.    | B-6512   | B-6512   | Tee, F.M.P.T.                               | 1      |
| 11.    |          | B-6044   | Nozzle Body, Tee w/ 3/8" HB                 | 1      |
| 12.    | B-6400   | B-6400   | Spray Gun( B-6583 - Tip only for service)   | 1      |
| 13.    | B-6054   | B-6054   | Washer, Black Vinyl 1" OD x 3/4" ID         | 3      |
| 14.    | B-6598   | B-6598   | Hose Barb, 1/4" M.P.T. x 3/8" H.B.          | 1      |
| 15.    | B-6597   | B-6597   | Strainer, 1/4", #40 mesh                    | 1      |
| 17.    | B-6033   | B-6033   | Hose, 3/8" ID x 12'                         | 1      |
| 18.    | B-6047   | B-6047   | Hose Clamp                                  | 3      |
| 19.    | B-6037   |          | Hose, 3/8" ID x 15"                         | 2      |
| 20.    |          | B-6036   | Hose, 3/8" ID x 7-1/2"                      | 1      |
| 21.    | B-6034   | B-6034   | Hose, 3/8" ID x 30"                         | 1 ou 2 |
| 22.    | B-6088   | B-6087   | Hose, 3/8" ID                               | 1      |
| 23.    | B-6043   | B-6043   | Nozzle Body, 90deg, 3/8" H.B.               | 2      |
| 24.    | B-6020   | B-6020   | Caution Decal                               | 1      |
| 25.    | B-6045   | B-6045   | Hose Barb, Tee, 3/8" x 3/8"                 | 1      |
| 26.    | B-6578   | B-6578   | Drain Cap                                   | 1      |
| 27.    | B-6055   | B-6055   | Hose Barb, Flat Seat, 3/8" H.B.             | 2      |
| 28.    | B-6056   | B-6056   | Nut, Hose Swivel, 3/4" F.G.H.T.             | 2      |
| 29.    | B-6514   | B-6514   | Tip, Sprayer                                | 2 ou 3 |
| 30.    | B-6040   | B-6040   | Strainer, Nozzle                            | 2 ou 3 |
| * 31.  | B-6041   | B-6041   | Jamb Nut, Nozzle Fitting                    | 2 ou 3 |
| * 32.  | B-6042   | B-6042   | Nut, Tip Fitting                            | 2 ou 3 |
| * 32a. |          | B-6035   | Hose, 3/8" ID x 22"                         | 1      |
| * 32b. | 22M0606P | 22M0606P | Screw, #10-24 x 3/8"                        | 1      |
| 32c.   | 22M0616P | 22M0616P | Screw, #10-24 x 1"                          | 4      |
| 32d.   | B-6583   | B-6583   | Tip, Hand Wand                              | 1      |
| 32e.   | B-6584   | B-6584   | Nut, Hand Wand                              | 1      |

\* - Sac « B » (Z-1704) pour ST-250

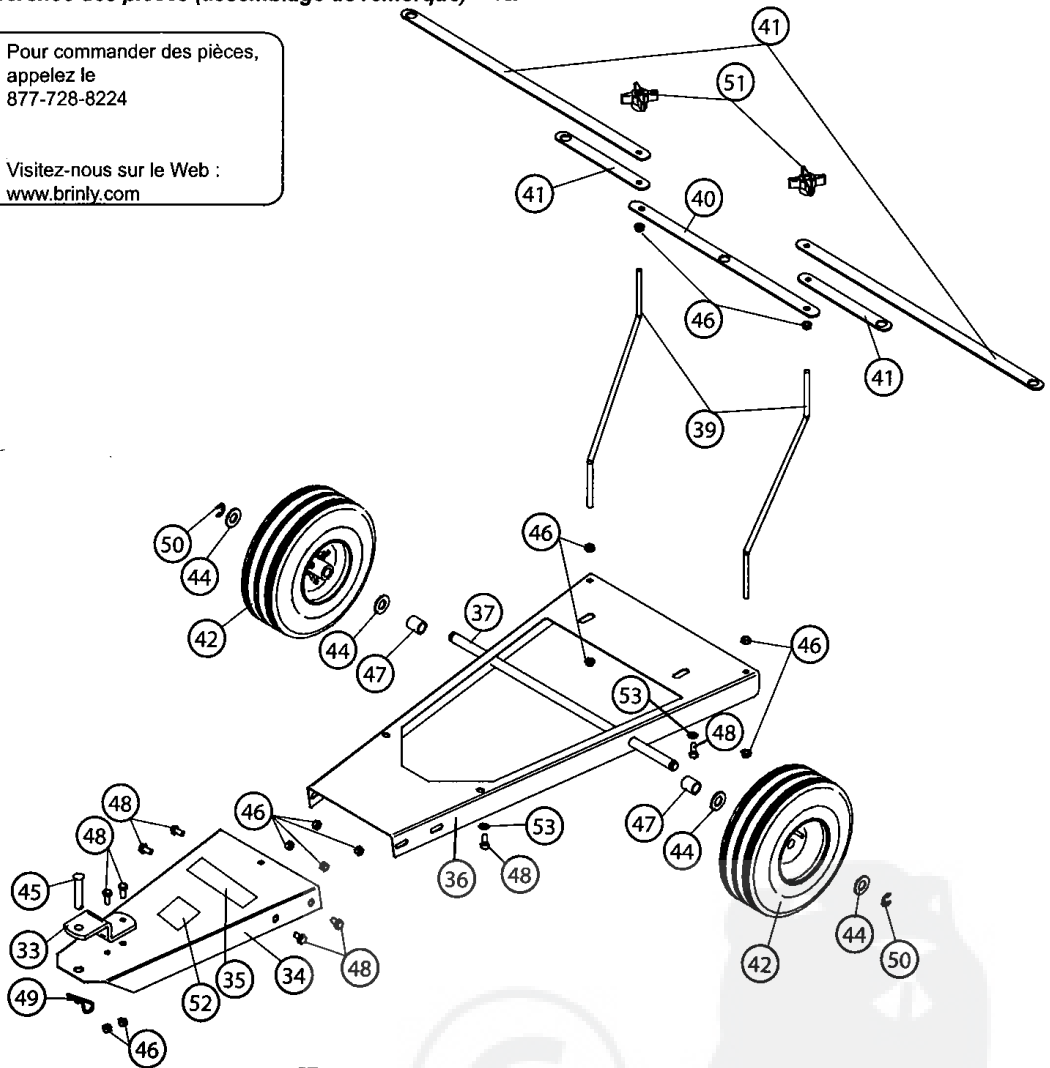
\* - Sac « B » (Z-1706) pour ST-150



Référence des pièces (assemblage de remorque)

Pour commander des pièces,  
appelez le  
877-728-8224

Visitez-nous sur le Web :  
[www.brinly.com](http://www.brinly.com)



NOTES



**Liste de pièces (assemblage du cadre)**

| N      | ST-150     | ST-250     | Description                  | Qté |
|--------|------------|------------|------------------------------|-----|
| 33.    | B-3034-10  | B-3034-10  | Clevis                       | 1   |
| 34.    | B-6322F-10 | B-6322F-10 | Drawbar                      | 1   |
| 35.    | B-5922     | B-5922     | Logo Decal                   | 1   |
| 36.    | B-6322R-10 | B-6322R-10 | Base                         | 1   |
| 37.    | B-5684     | B-5684     | Axle                         | 1   |
| 39.    | B-5687     | B-5687     | Boom Support                 | 2   |
| 40.    | B-5688-10  | B-5688-10  | Boom Bar                     | 1   |
| 41.    | B-5689-10  | B-5690-10  | Boom Extension               | 2   |
| 42.    | B-5692     | B-5692     | Wheel                        | 2   |
| ** 44. | 45M2121P   | 45M2121P   | 5/8" Flat Washer             | 4   |
| ** 45. | B-3861     | B-3861     | Hitch Pin                    | 1   |
| ** 46. | B-4355     | B-4355     | 5/16" Whiz Lock Nut          | 12  |
| ** 47. | B-5691     | B-5691     | Axle Spacer                  | 2   |
| ** 48. | B-5695     | B-5695     | 5/16" x 5/8" Hex Flange Bolt | 10  |
| ** 49. | D-146P     | D-146P     | Hitch Pin Cotter             | 1   |
| ** 50. | F-577      | F-577      | 5/8" E-Ring                  | 2   |
| ** 51. | F-782      | F-782      | Knob                         | 2   |
| 52.    | R-1946     | R-1946     | Caution Decal                | 1   |
| 53.    | R-618      | R-618      | Washer, Special              | 4   |

\*\* - Sac « A » (Z-1705)

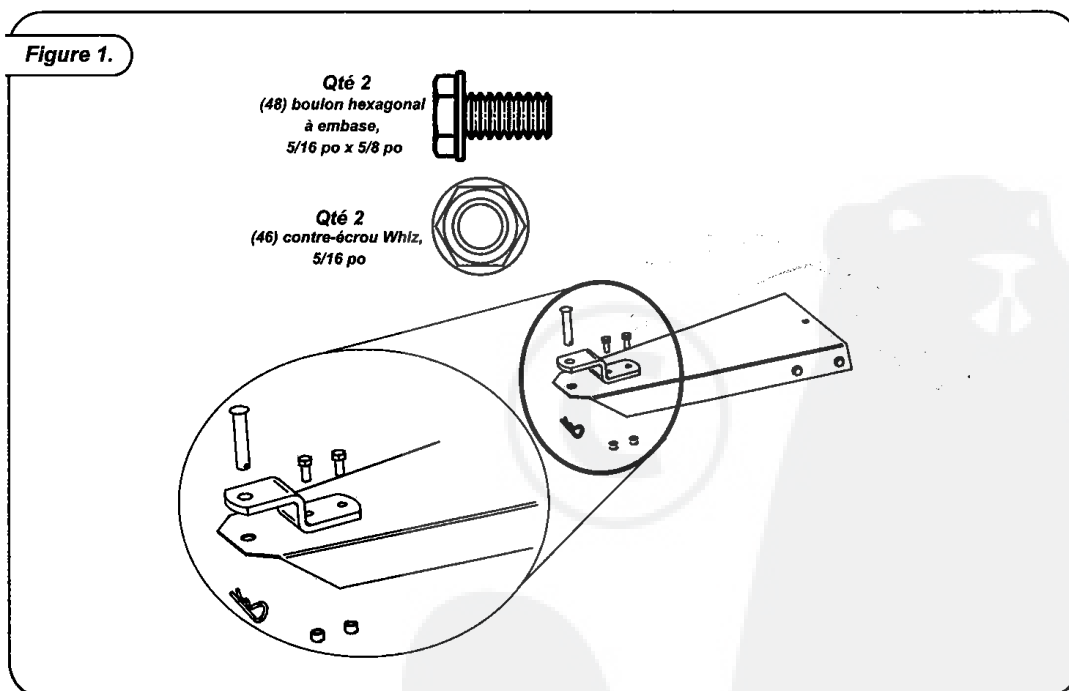


Figure 2.

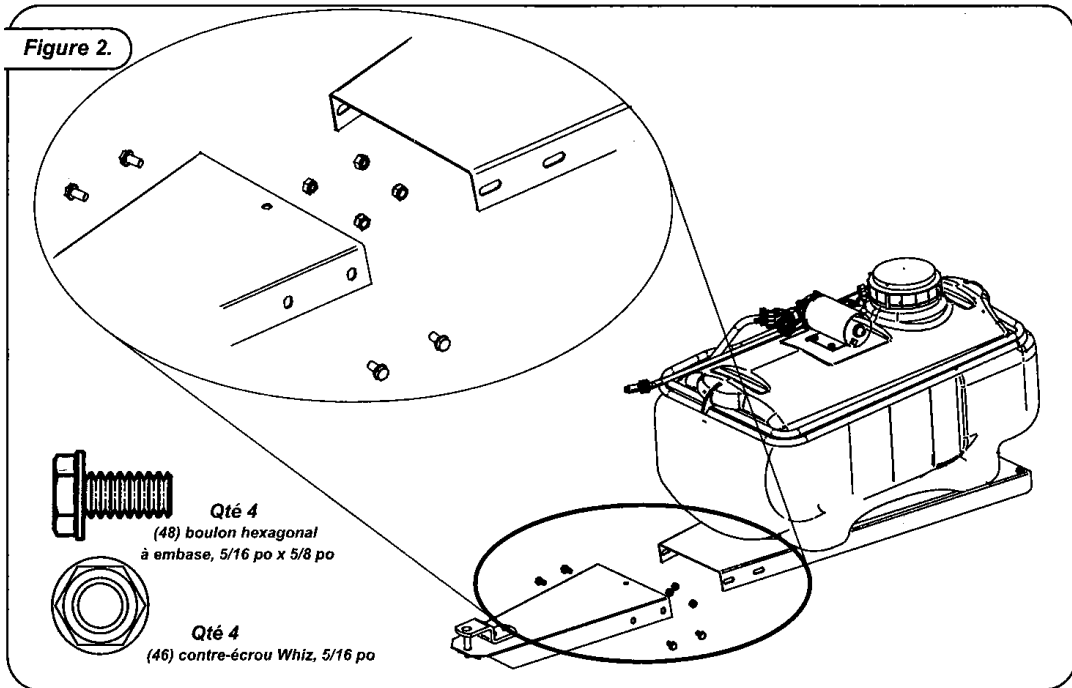


Figure 3.

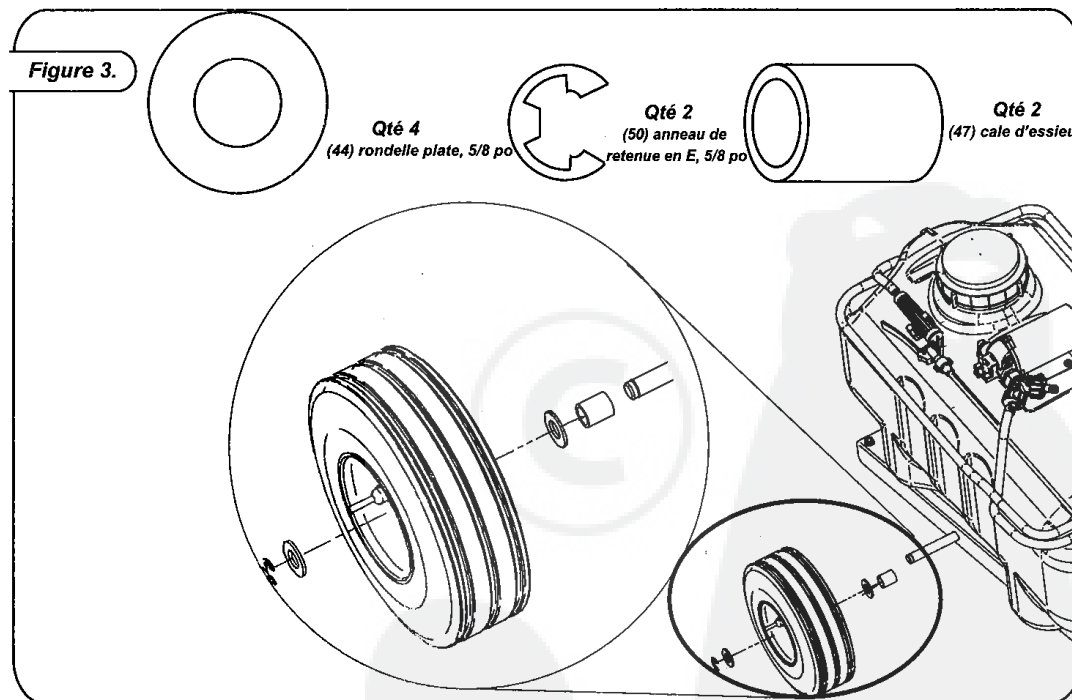


Figure 4.

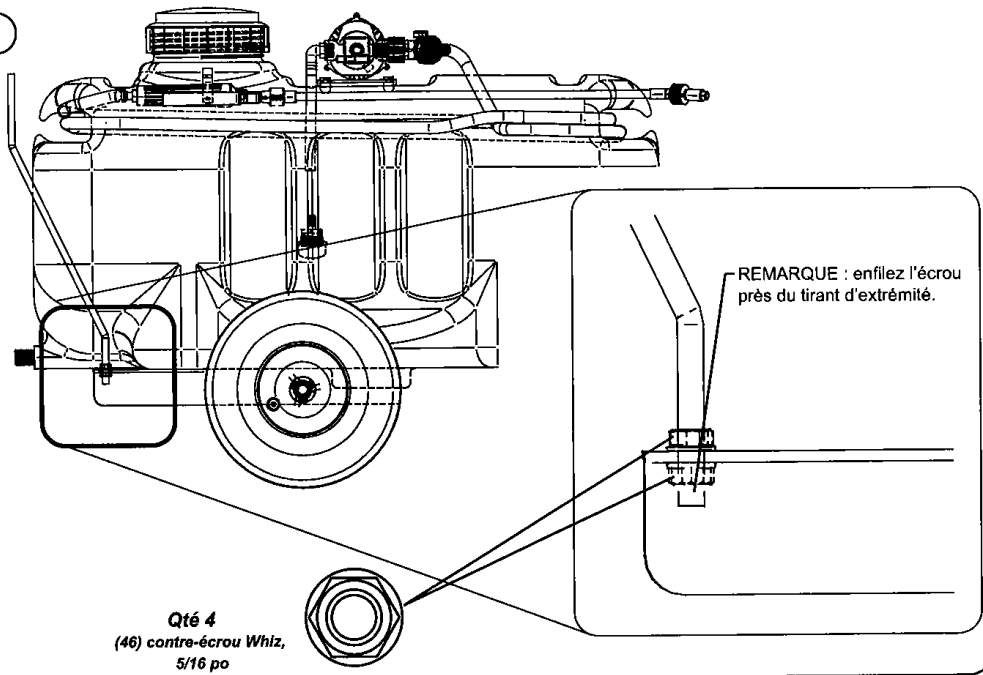


Figure 5.

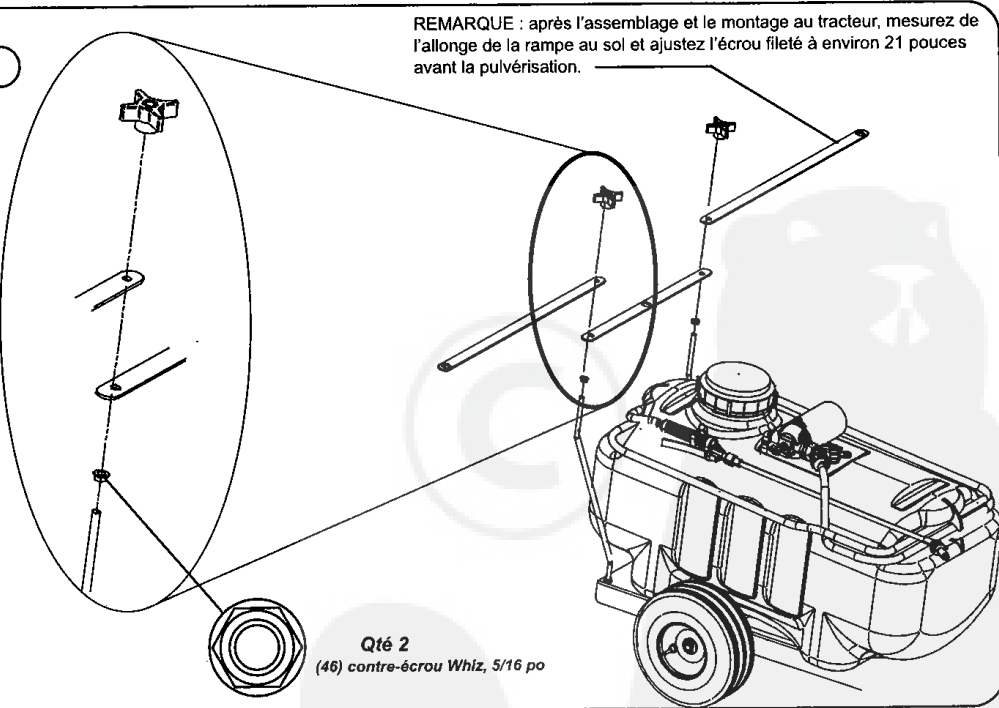
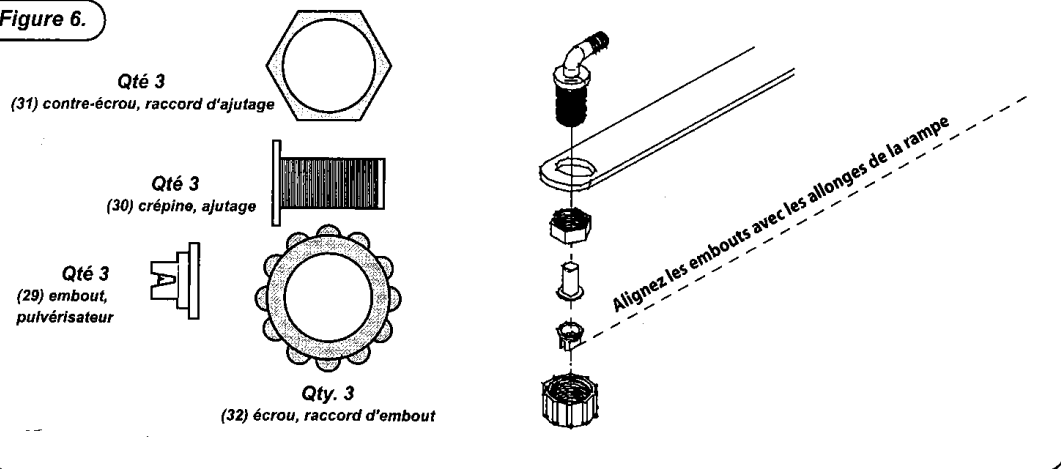


Figure 6.



### ENTRETIEN

La solution à des années d'utilisation sans tracas est de conserver votre pulvérisateur propre et sec.

Ne laissez jamais la matière humide dans le pulvérisateur pendant de longues périodes de temps.

Vérifiez régulièrement toutes les pièces mobiles pour vous assurer qu'elles se déplacent librement et, au besoin, lubrifiez-les.

Si de la rouille apparaît, poncez délicatement, puis peignez la zone avec un émail.

Vérifiez régulièrement toutes les attaches pour vous assurer qu'elles soient bien serrées.  
Videz les produits chimiques après chaque utilisation.  
Après la vidange, rincez le système jusqu'à ce qu'il soit propre.

Entreposage d'hiver : rincez bien tout le système et entreposez à sec sans liquide dans la pompe pour éviter le gel et le bris.

### CONSEILS DE PULVÉRISATION

Après l'assemblage et le montage au tracteur, mesurez de l'allonge de la rampe au sol et ajustez l'écrou fileté à environ 21 pouces avant la pulvérisation.

NE laissez JAMAIS le pulvérisateur fonctionner au même endroit. Éteignez le pulvérisateur pour éviter toute application de produits chimiques.

Éteignez le pulvérisateur dans les tournants pour éviter une double pulvérisation.

Remplissez le pulvérisateur à des endroits où les déversements ne peuvent pas endommager le gazon.

Suivez les instructions, concentrations et le taux d'application recommandés par le fabricant de la matière de pulvérisation.

Assurez-vous de suivre les exigences de sécurité et d'élimination du fabricant de produits chimiques.

En reculant, soyez prudent et reculez avec soin BIEN DROIT pour éviter toute mise en tête-à-queue qui pourrait endommager votre équipement.

Rappelez-vous de toujours ajouter des produits chimiques à l'eau et non pas l'eau aux produits chimiques. Les produits chimiques ont tendance à éclabousser et peuvent être dangereux.

### CONNEXIONS ÉLECTRIQUES

Votre pulvérisateur Brinty utilise un courant c.c. de 12 volts.

Installez le fil rouge à la borne positive de votre batterie.  
Installez le fil noir à la borne négative de votre batterie.

Vous devez toujours être prudent en travaillant près ou sur des batteries.

Il faut porter des gants robustes et une protection oculaire en établissant les connexions à la batterie.

Assurez-vous de faire des vérifications périodiques de fusibles dans le faisceau de câbles.