

SINCE 1839

BRINLY

SINCE 1839

BRINLY

OWNER'S MANUAL

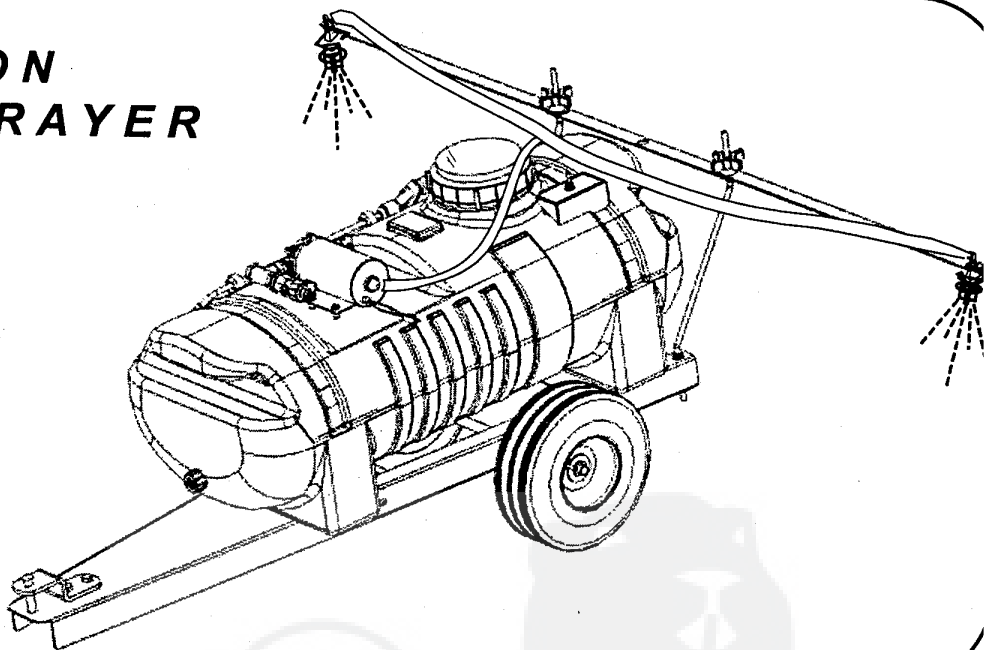
25 GALLON LAWN SPRAYER

SPRAYER MODEL:

PS-252-BH

- Assembly
- Installation
- Operation
- Repair Parts

For use with Riders
and Lawn/Garden Tractors



For the latest product updates and setup tips:

Visit us on the web!
www.brinly.com

Important: This manual contains information for the safety of persons and property. Read it carefully before assembly and operation of the equipment!

L-1662-1

CONGRATULATIONS on your new Brinly-Hardy Sprayer! Your Sprayer has been designed, engineered and manufactured to give you the best possible dependability and performance.

Should you experience any problem you can not easily remedy, please do not hesitate to contact our knowledgeable customer service department toll-free at 1-877-728-8224. We have competent, well trained technicians and the proper tools to service or repair your Sprayer.

Please read and retain this manual. The instructions will enable you to assemble and maintain your sprayer properly. And please, always observe the "Safety Rules".

CUSTOMER RESPONSIBILITIES

Read and Observe the "Safety Rules".

Follow a regular schedule in maintaining, caring-for and using your Brinly-Hardy Sprayer.

TABLE OF CONTENTS

SAFETY RULES	2
HARDWARE.....	3
PARTS REFERENCE	4,6
PARTS LIST	5,7
ASSEMBLY	8-10
MAINTENANCE	10
OPERATION	10
PRODUCTS	11
WARRANTY.....	11

RULES FOR SAFE OPERATION

- Know controls and how to stop quickly, READ THE OWNER'S MANUAL.
- Do not allow children to operate the vehicle, do not allow adults to operate without proper instruction or without having read the owner's manual.
- Do not carry passengers. Keep children and pets a safe distance away.
- Always wear substantial footwear. Do not wear loose fitting clothing that can get caught in moving parts.
- Keep your eyes and mind on your tractor/attachment and area being covered. Do not let other interests distract you.
- Stay alert for holes in the terrain and other hidden hazards.
- Do not drive close to creeks, ditches and public highways.
- Watch out for traffic when crossing or near roadways.
- When using any attachment, don't allow anyone near the vehicle while in operation.
- Keep the vehicle and attachment in good operating condition and keep safety devices in place.
- Keep all nuts, bolts and screws tight to be sure the equipment is in safe working condition.
- The vehicle and attachment should be stopped and inspected for damage after striking a foreign object. The damage should be repaired before restarting and operating the equipment.
- See tractor equipment owner's manual for safe operation of the equipment.

Caution!

This product is not designed for use in sand or gravel, or to carry extra weight.
Lock nuts must be used where specified. They have a nylon insert in the hole where used.
When backing - carefully back straight to avoid jackknifing, which could result in damage to equipment.

WARNINGS

Always add chemicals to water, not water to chemicals!
Keep the water hose used to fill the tank out of the chemicals, failure to do this could result in a contaminated hose system.
PROPERLY dispose of excess materials. NEVER in a drain or near a lake or stream.
Always be sure to wear protective eyewear (goggles) when spraying chemicals.
Wear protective clothing; close fitting and that covers your arms and legs.
DO NOT use flammable chemicals.
Follow chemical manufacturer's instructions.
DO NOT permit children on or around the Sprayer while in operation.
ALWAYS operate your Sprayer within the speed limit for which it was designed (3 m.p.h.).



This symbol will help to point out important safety precautions throughout this manual. It means - ATTENTION!
BECOME ALERT! Your safety is involved.

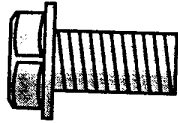
HARDWARE REFERENCE

Tools Required for Assembly:
 1/2" wrench (2)
 9/16" wrench (2)
 7/16" wrench (2)
 Pliers

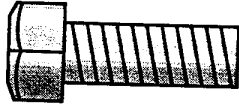
This page is for reference use only
 All items shown full size unless otherwise specified

Hardware Bag "A" (Part No. Z1534)

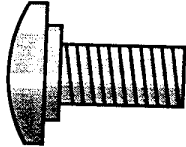
53
 (4) Hex Head Bolt 5/16"x 5/8"



47
 (4) Hex Bolt, 5/16x 3/4"



50
 (4) Carriage Bolt 1/4"



51
 (4) Nylon Locknut 1/4"



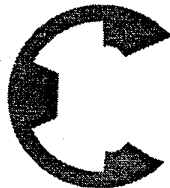
49
 (4) Nylon Locknut 5/16"



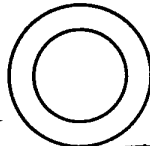
48
 (10) Whiz Locknut 5/16"



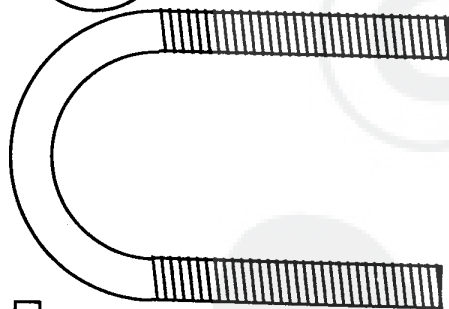
44
 (4) E-Ring 5/8"



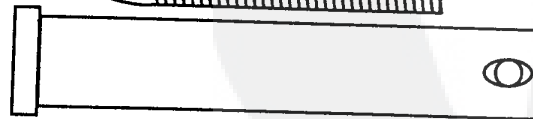
52
 (4) Flat Washer, 5/16"



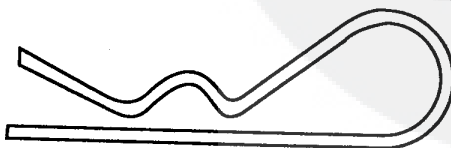
36
 (2) U-Bolt 1/4"x 1-1/4"



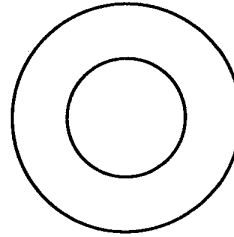
41
 (1) Drawbar Pin, 1/2"x 2-1/2"



42
 (1) Hairpin Cotter 1/8"

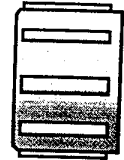


43
 (4) Flat Washer, 5/8"

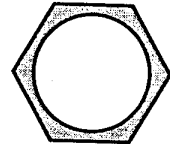


Hardware Bag "B" (Inside Tank)

15
 (3) Tip Fitting Nut



16
 (3) Jamb Nut



6
 (3) Tip



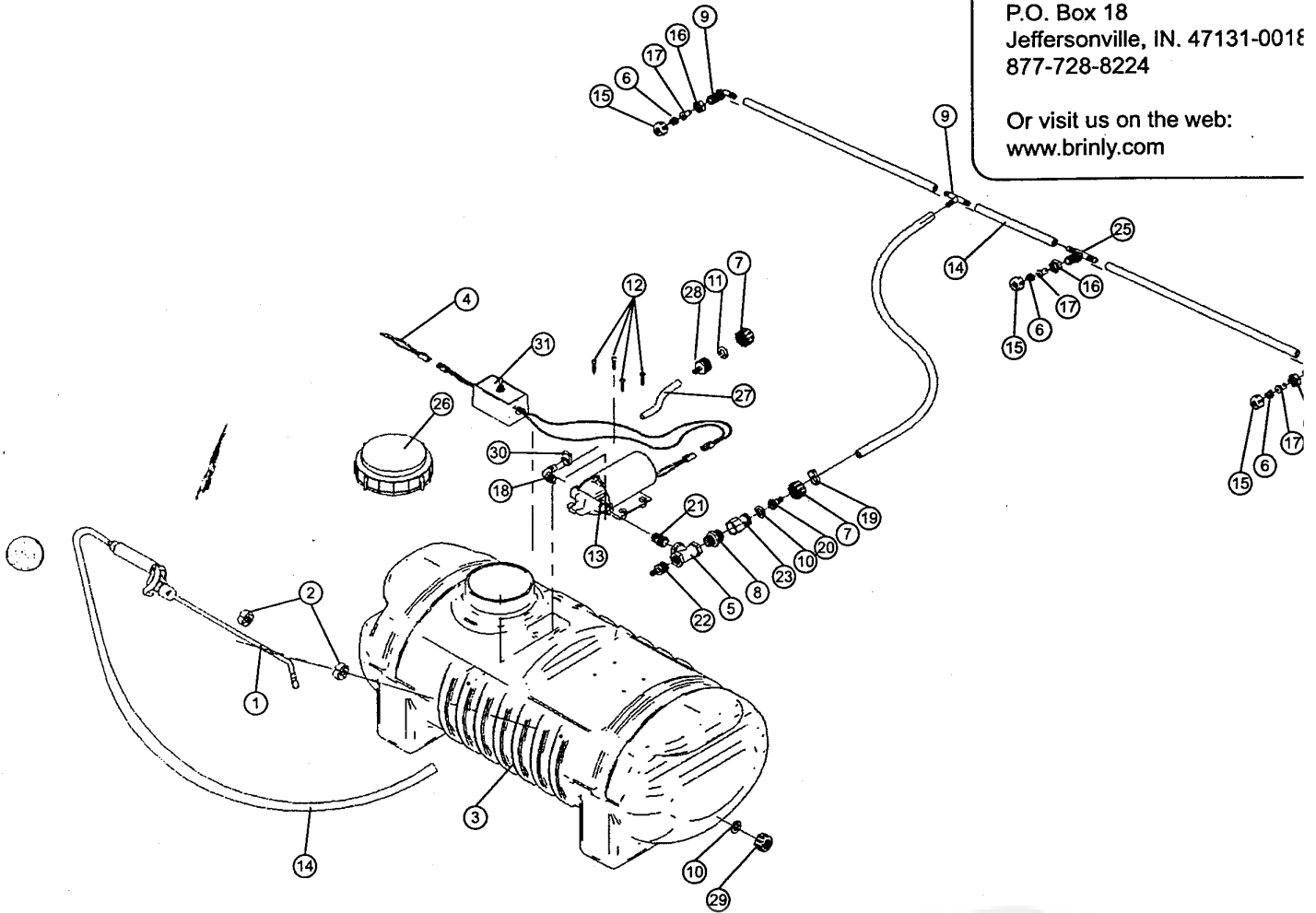
17
 (3) Strainer



Parts Reference (Tank Assembly)

To Order Parts:
Brinly-Hardy Company
P.O. Box 18
Jeffersonville, IN. 47131-0018
877-728-8224

Or visit us on the web:
www.brinly.com



NOTES

Parts List (Tank Assembly)

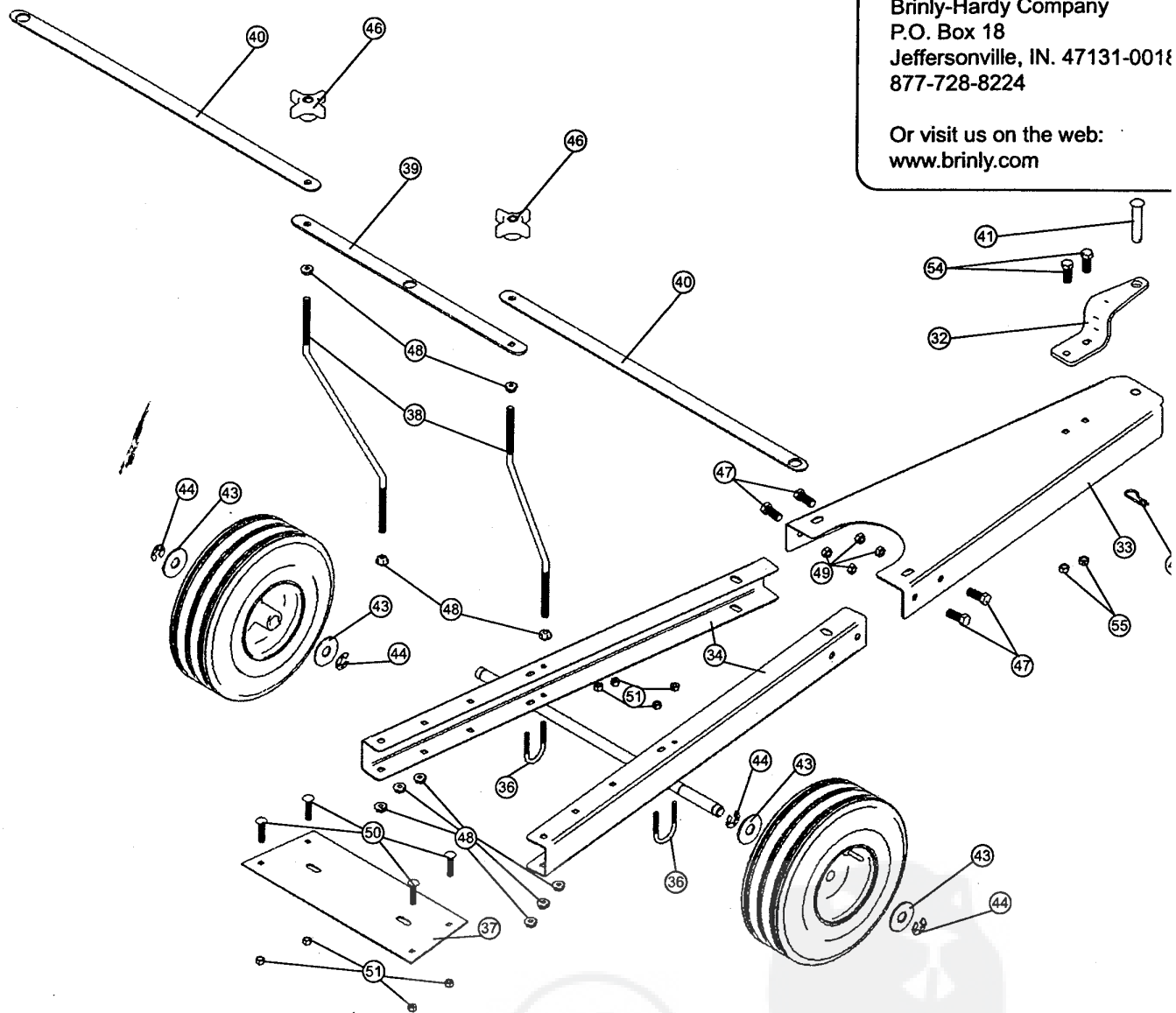
REF. NO.	PART NO.	DESCRIPTION	QTY.
1	SC15-22670	Handgun	1
2	225-S	Clip, Gun Holder	2
3	CS-PL-2500-T	25 Gallon Tank	1
4	SC-TRL-RMS	Wire Harness Battery Connection	1
5	TT1200P	Connector, 1/2"	1
* 6	XR11006-VP	Tip	3
7	B3400P	Cap, 3/4" Swivel	2
8	E3412P	Bushing, Reducing	1
9	NTL3800P	Tip Fitting - 90	2
10	W406V	Washer, Rubber	2
11	11126	Strainer, Sump	1
12	10X24X1	Screw, 10-24 x 1"	4
13	8000-543-236	Pump	1
14	MPS038	Hose, 3/8"	20 Ft
* 15	8027	Nut, Tip Fitting	3
* 16	B12	Nut, Jamb	3
* 17	8079-PP-50	Strainer	3
18	EL3812	Hose Barb-90, 3/8"	1
19	SIZEF	Hose Clamp, 3/8"	2
20	C3800	Hose Shank, 3/8"	1
21	M1238P	Nipple, Reducing	1
22	A1238P	Hose Barb, 3/8"	1
23	0921890P	Ball Valve, 3/4"	1
24	T3800P	3/8" Tee-Barbed	1
25	NTT3800P	Tip Fitting - Tee	1
26	LD30-101	Tank Cap	1
27	MPS050	Hose, 1/2"	2-1/2 Ft
28	D3412P	Hose Barb, 1/2"	1
29	N3400	Cap, Drain	1
30	SIZEH	Hose Clamp, 1/2"	1
31	SC-TRL-RMS	Wire Harness w/ Switch	1

* - Hardware Bag "B"

Parts Reference (Trailer Assembly)

To Order Parts:
Brinly-Hardy Company
P.O. Box 18
Jeffersonville, IN. 47131-0018
877-728-8224

Or visit us on the web:
www.brinly.com



NOTES

Parts List (Trailer Assembly)

REF. NO.	PART NO.	DESCRIPTION	QTY.
32	B-3034-10	Clevis	1
33	6450	Drawbar	1
34	6451	Frame Channel	2
35	6456	Axle	1
* 36	B-5107	U-Bolts, 1/4" x 1-1/4"	2
37	6452	Rear Cross Brace	1
38	B-5687	Boom Support	2
39	B-5688-10	Boom Stabilizer	1
40	B-5690-10	Boom Extension	2
* 41	B-3861	Drawbar Pin, 1/2" x 2-1/2"	1
* 42	D-146P	Hairpin Cotter, 1/8"	1
* 43	45M2121P	Flat Washer, 5/8"	4
* 44	F-577	"E" Ring, 5/8"	4
45	B-5692	Wheel Assembly	2
46	F-782	Knob	2
* 47	2M1012P	Hex Head Bolt, 5/16" x 3/4"	4
* 48	B-4355	Whiz Locknut 5/16"	10
* 49	B-4786	Locknut, Nylon, 5/16"	4
* 50	11M0810P	Carriage Bolt, 1/4" x 5/8"	4
* 51	B-4785	Locknut, Nylon, 1/4"	8
* 52	45M1111P	Flat Washer, 5/16"	4
* 53	B-5695	Hex Flange Head Bolt, 5/16" x 5/8"	4
* 54	2M1216P	Hex Head Bolt 3/8" x 1"	2
* 55	B-4820P	3/8" Nylon Locknut	2

* - Hardware Bag "A"

SPRAYER ASSEMBLY

Figure 1. Use Hardware Bag "A"

1. Assemble the Frame Channel(34) (legs inward) to the Rear Cross Brace(37) using four 1/4" x 5/8" Carriage Bolts(50), and Hex Nuts(51).

NOTE: Be sure to use the 2nd and 3rd holes from the end of the frame channels. Both frame channels are identical, so either can be installed on either side.

2. Attach the Drawbar(33) to the other end of the Frame Channels(34) using four 5/16" x 3/4" Hex Head Bolts(47) and Nylon Lock Nuts(49).

Figure 1.

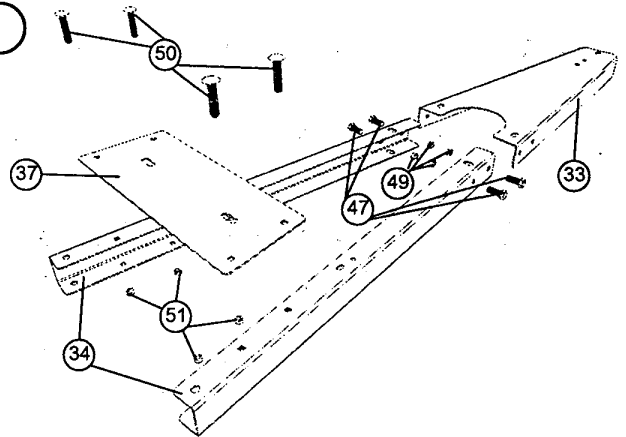


Figure 2.

3. Install the Clevis(32) using 3/8" x 1" Hex Head Bolts(54) with 3/8" Nylon Lock Nuts(55) as shown.

Figure 2.

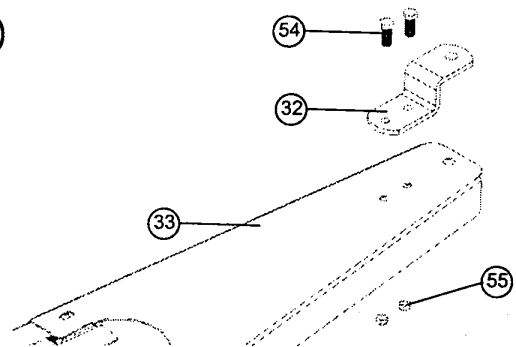


Figure 3.

4. Install the Drawbar Pin(41) with the Hairpin Cotter(42).

Figure 3.

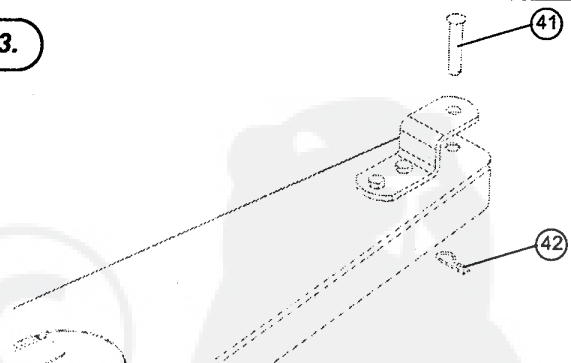


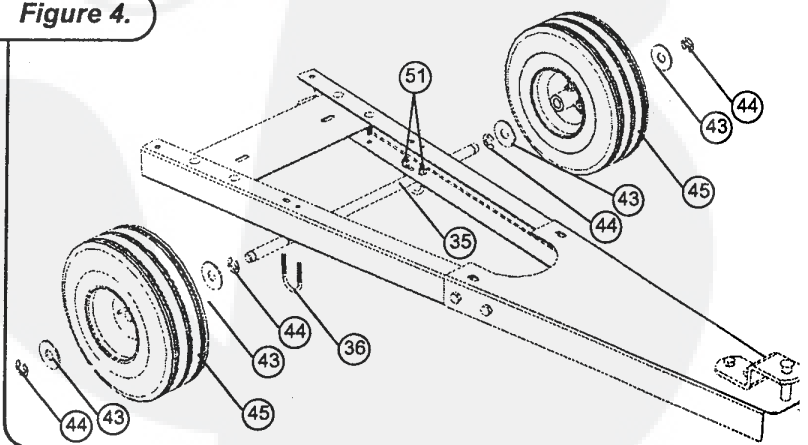
Figure 4.

5. Install the Axle(35) using the 1/4" U-Bolts(36), and 1/4" Nylon Lock Nuts(51).
6. To install the Wheels(45), use this sequence for each side; "E" Ring(44), Washer(43), Wheel(valve stems out!)(45), Washer(43), and finally an "E" Ring(44). Center the axle and tighten the nuts.

NOTE: Be sure to grease wheels before use if your wheels are supplied with grease fittings. If they are not supplied, you have roller bearing wheels. Tighten all of the hardware beginning with the Drawbar(33) first and work your way to the rear of the sprayer to ensure proper tightness.

8.

Figure 4.



SPRAYER ASSEMBLY cont.

Figure 5. Use Hardware Bag "A"

- Attach the frame assembly onto the bottom of the sprayer tank using four 5/16" x 5/8" Hex Flange Head Bolts(53) and Flat Washers(52). Two of the bolts will attach through the rear cross brace to the bottom of the tank, while the other two bolts will attach to the tank through the channel leg.

NOTE: The drawbar of the frame assembly should be on the same side as the pump on the tank. Also, be sure to center the drawbar over the tank assembly.

Figure 5.

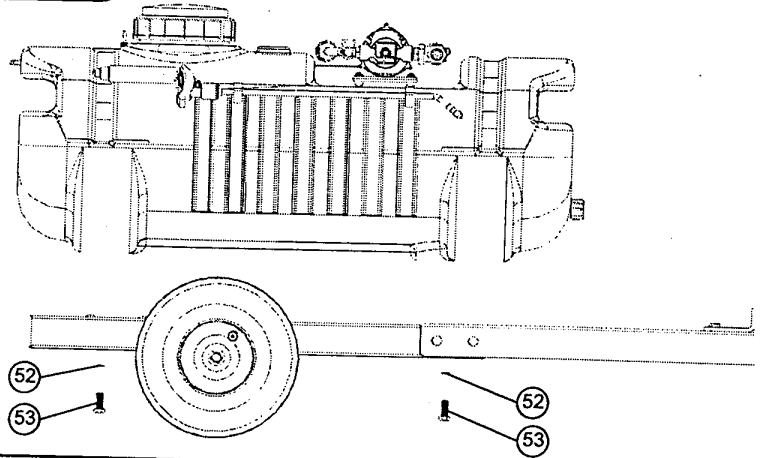


Figure 6.

- Install the Boom Supports(38) (bent angle projecting backwards, away from frame channels) using eight 5/16" Whiz Lock Nuts(48) above and below each leg of Frame Channel(34) as shown.

Figure 6.

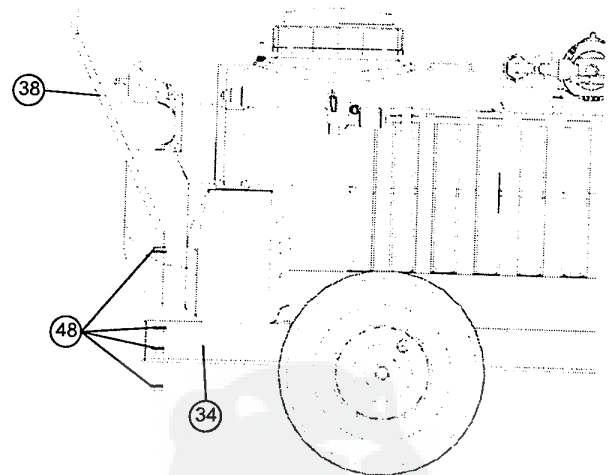
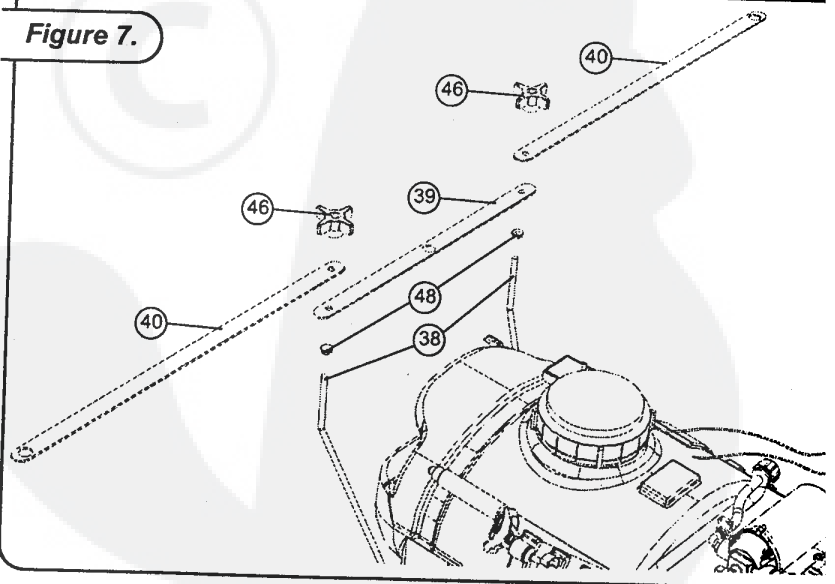


Figure 7.

- The top of the boom assembly is assembled as shown with two 3/8" Whiz Lock Nuts(48), Boom Stabilizer(39), two Boom Extensions(40)(ends with small holes), and two Plastic Hand Knobs(46).

Figure 7.



TIP ASSEMBLY AND LEVELING

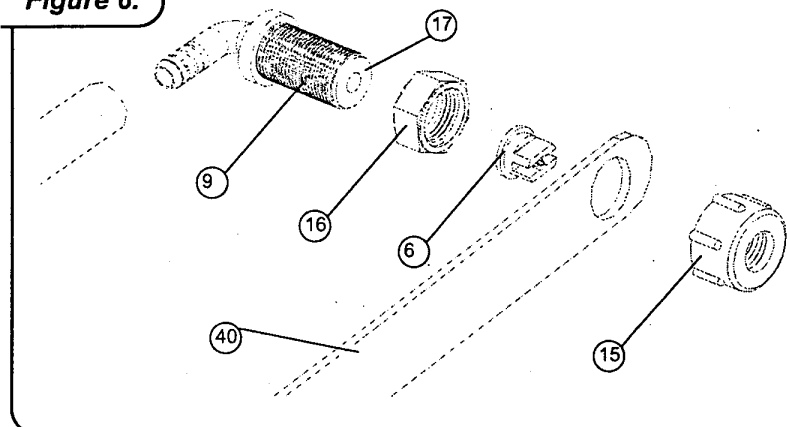
Figure 8. Use Hardware Bag "B"
Located inside Tank Assembly

10. Install the spray tip hose assembly into holes of the Boom Extensions(40) and Boom Stabilizer Assembling Tip Fittings(9) into large holes with Jamb Nuts(16), then install Strainer(17), the Tip(6), and secure with Tip Fitting Nut(15).

NOTE: Be sure the spray tip outlet is aligned parallel with the Spray Boom Supports(), and that the tips should be adjusted to be about 21" from the ground when the unit is hitched to a tractor.

The unit can now be hitched to a tractor and operated. Be sure to carefully attach the wire harness battery connection to the proper terminals (Red=positive, Black=negative).

Figure 6.



! MAINTENANCE

The key to years of trouble-free service is to keep your Sprayer clean and dry. Never allow wet material to remain in Sprayer for extended periods of time. Occasionally check all moving parts for free movement and, if necessary, lubricate with oil. Should rust develop, sand lightly and then paint area with enamel. Periodically check all fasteners for tightness.

! IMPORTANT:

When Backing up, carefully back STRAIGHT to avoid "jack-knifing", which can cause damage to your equipment.

! TRACTOR/RIDING MOWER REQUIREMENTS AND SPEED

Your Tractor requires a 12 volt battery and charging system, and a drawbar hitch in order to properly operate a Brinly-Hardy Sprayer.

The towing Tractor should have operable brakes capable of controlling the loaded Sprayer and tractor.

The faster the Tractor/Riding Mower speed the less consistent the material is sprayed from your Sprayer. Under normal conditions, 3-4 M.P.H. or the speed of a brisk walk.

To calibrate your tractor to 3 m.p.h.:
Measure a distance of 20 feet on a flat, level surface.

! OPERATION:

Check spray tip height before spraying. The tips should be 21" from the base of the tip to the ground.

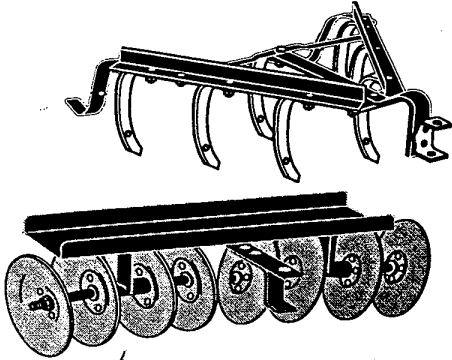
NEVER let the Sprayer operate in one spot.

Turn Sprayer off during turns to avoid double spray.

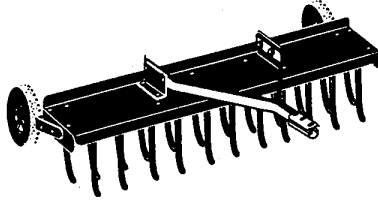
Fill Sprayer where spills cannot harm grass.

Follow spray material manufacturer's recommendations for application of sprays.

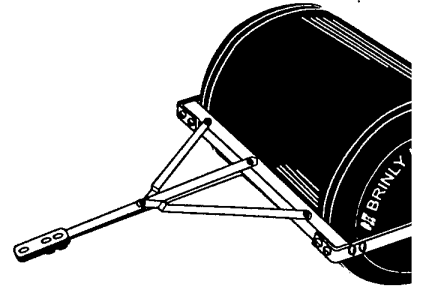
Caring for the quality of your lawn
with the products from
Brinly-Hardy Company



Brinly's garden tractor items offer the largest selection to turn your garden tractor into a year-round tool. We have box scrapers, blades, cultivators, disk harrows, and even a plow! Remember that a sleeve hitch is required to hook up these items to your garden tractor.



If left alone, matted layers of thatch and large grass clippings can form on your lawn which prevents air circulation and breeds disease. Our patented design Dethatcher with spring steel tines gently comb thatch and clippings to the surface where they can be re-mulched, collected, or left exposed to the elements to break down.



No more rust or dents with these poly lawn rollers. These units are much easier to d with than the steel versions. They have rounded end caps that won't tear or gouge the lawn when truning. Erase the harmful effects of front heaving and moles, or pac down newly sewn seed or sod.

Limited Warranty

Brinly-Hardy Company warrants only to the original retail purchaser that this product will remain free of defects in workmanship and materials under normal use and service for a period of two (2) years (NOTE: ninety (90) days for commercial or rental use) commencing with the date of purchase.

Any parts found to be defective within the warranty period will be replaced, with proof of date of purchase, at Brinly-Hardy Company's expense. Our obligation under this warranty is expressly limited to replacement or repair, at our option of parts, which are defective in material or workmanship within thirty (30) days of receipt of the parts. This warranty does not apply to damage caused by unreasonable use, including failure to provide necessary maintenance, nor does it apply to any transportation or labor charges.

WE MAKE NO OTHER EXPRESS WARRANTY NOR IS ANYONE AUTHORIZED TO MAKE ANY ON OUR BEHALF. ANY IMPLIED OR STATUTORY WARRANTIES, INCLUDING ANY WARRANTY OF MERCHANTABILITY OR FITNESS FOR A PARTICULAR PURPOSE, ARE LIMITED TO THE DURATION OF THIS WRITTEN WARRANTY. WE SHALL NOT BE LIABLE FOR CONSEQUENTIAL OR INCIDENTAL DAMAGES OF ANY KIND.

MADE IN THE U.S.A.
BRINLY-HARDY COMPANY TOLL-FREE 1-877-728-8224

Register Online at: www.brinly.com

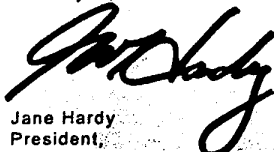
Quality Insurance

Dear Customer,
We are very proud of our quality and endeavor to produce each product to meet high standards. Should your purchase not meet your expectations, we have a Quality Insurance Policy.

If you purchase a product and a part is missing or defective, please inform us of the problem on the "Comments" section of the Warranty Registration Card in this manual or online, or feel free to contact us toll free at 1-877-728-8224.

We will make every effort to ship a new replacement part to you within 24 hours at no charge.

Thank you,


Jane Hardy
President,
Brinly-Hardy Company

WARRANTY REGISTRATION CARD

To register your new product for warranty, please complete and return this card.

Name: _____

Address: _____

City: _____ State: _____ Zip: _____

Phone: _____

Product Purchased: _____ Model#: _____

Packing# (on carton): _____

Where purchased: _____ Date: _____

Type of Tractor Owned: Make: _____

Model: _____

HP: _____

Size of Lawn: ___ 1/4-1/2acre ___ 1/2-1acre ___ 1-5 acre ___ 5+

Do you garden? ___ Use a tractor? ___ Tiller? ___

Your Occupation? _____

Your Email Address? _____

SINCE 1839

BRINLY



P.O. Box 18
Jeffersonville, IN. 47131-0018
(877) 728 - 8224

Place
Postage
Here

BRINLY

P.O. Box 18
Jeffersonville, IN. 47131-0018

