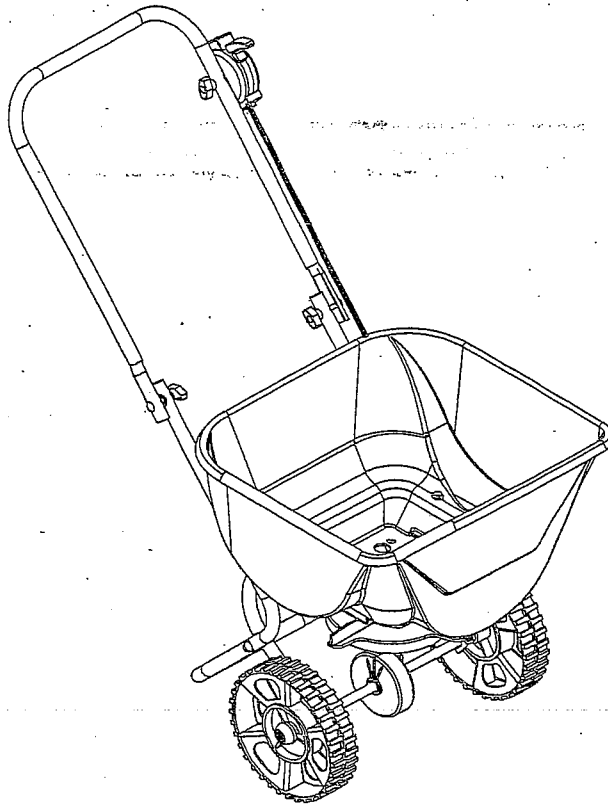


01/20/11
INSPECTOR 6



Tread pattern of tires may

Manual Contents

Safety Instructions	2
Maintenance	2
Operation	2
Parts	3
Assembly	4-6
Warranty	8

Your New Broadcast Spreader

Congratulations on your purchase of a new Precision Products Inc. Broadcast Spreader. Your spreader has been engineered and built to give you the most dependable and best performing product possible.

If you experience any problem you can not easily resolve, please feel free to contact our knowledgeable and helpful customer service department toll-free at **1 (800) 225-5891**.

Caution: Carefully read all rules and instructions for safe operation. Retain this manual for reference.



Rules for Safe Operation

The following safety precautions are suggested. This broadcast spreader is designed, engineered and tested to offer reasonably safe and effective service, provided that it is operated in strict accordance with these instructions. Failure to do so may result in personal injury. Always observe the rules of safe operation. Please read and retain this manual.

1. Do not allow anyone to operate the broadcast spreader without proper instructions.
2. Do not permit children to operate or ride on the broadcast spreader.
3. Wear eye and hand protection when handling or applying lawn or garden chemicals.
4. Read the chemical label instructions and cautions for handling and applying the chemicals purchased for spreading.
5. Keep all nuts, bolts and screws tight to be sure equipment is in safe working condition.
6. Follow maintenance and lubrication instructions as outlined in this manual.
7. Always wear substantial footwear. Do not wear loose fitting clothing that can get caught in moving parts.
8. Stay alert for holes in the terrain and other hidden hazards.

Operation

See Broadcast Spreader Operation and Application Chart.

Maintenance Instructions

1. Before each use, check all nuts and bolts for tightness.
2. Empty hopper after each use. Do not store spreader with material left in hopper.
3. Wash spreader thoroughly and wipe dry. The key to years of trouble-free service is to keep your unit clean and dry.
4. If rust should develop, sand lightly and then paint area with enamel.

5. Lubricate all moving parts. Apply oil to spinner shaft (including where the shaft extends into the hopper), slide plate, and where the spinner shaft and axle, extends through the gearbox.

Storage

1. Rinse inside of hopper and exterior of spreader.
2. Store in a clean, dry area.

DO NOT allow spreader to sit stationary with material in the hopper and control lever in the **ON** position.

CAUTION: Care must be taken with any weed killer, pesticide, or combination product. They can be harmful to other plant life in the yard.

Parts and Support



Please do not return this product to the store prior to contacting Precision.

At Precision Products Inc. our goal is to deliver quality, value and outstanding service. If for any reason our product does not meet your expectations, please contact us and we will take care of any problem you may have with this unit.

When ordering replacement parts please have the model number, part description, part number, inspector number and date available so that we can best serve you.

1 (800) 225-5891

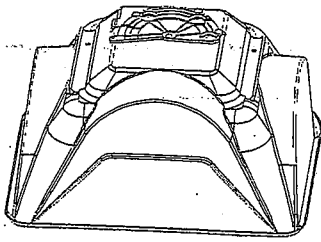
www.precisionprodinc.com

**Precision Products Inc.
316 Limit St.
Lincoln IL 62656**

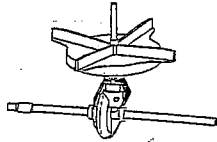
Parts Needed For Assembly

Not Shown Full Size

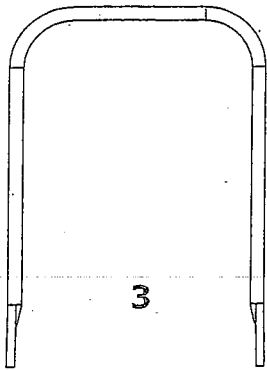
Shown Full Size



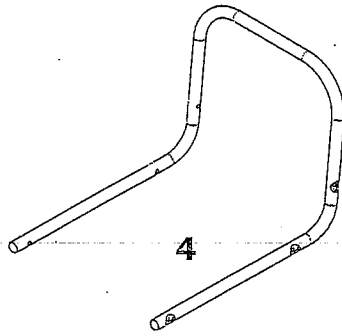
1



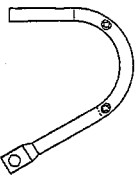
2



3



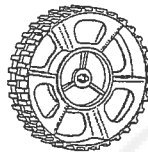
4



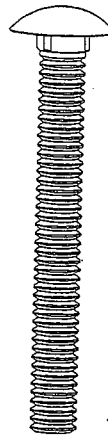
5



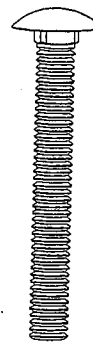
7



6



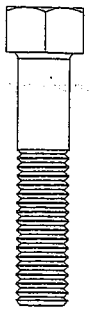
8



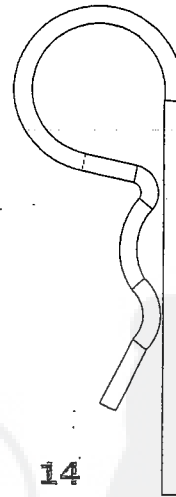
9



10



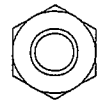
11



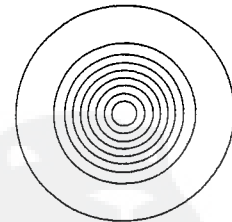
14



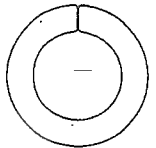
12



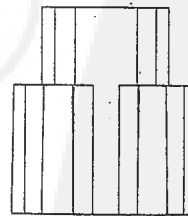
13



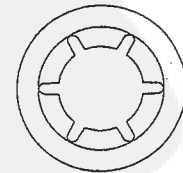
15



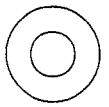
16



17



18



19

Ref.	Qty	Description
1	1	Hopper
2	1	Gear Case Assembly
3	1	Handle
4	1	Leg Stand
5	2	Hopper Support
6	2	Wheel
7	1	Cable Control Assembly
8	1	1/4" x 2-1/4" Carriage Bolt
9	4	1/4" x 1-3/4" Carriage Bolt
10	2	1/4" x 1-1/4" Carriage Bolt

Ref.	Qty	Description
11	2	1/4" x 1-1/2" Hex Head Bolt
12	2	1/4" Spring Nut
13	7	1/4" Hex Head Nut
14	1	Agitator Clip
15	2	1/2" Hub Cap (Black)
16	2	Split Spacer
17	2	Axle Bushing/Split
18	1	1/2" Retaining Ring
19	2	1/4" Flat Washer

Assembly Instructions

Loosely tighten nuts and bolts at first. Fully tighten when the unit is completely assembled.

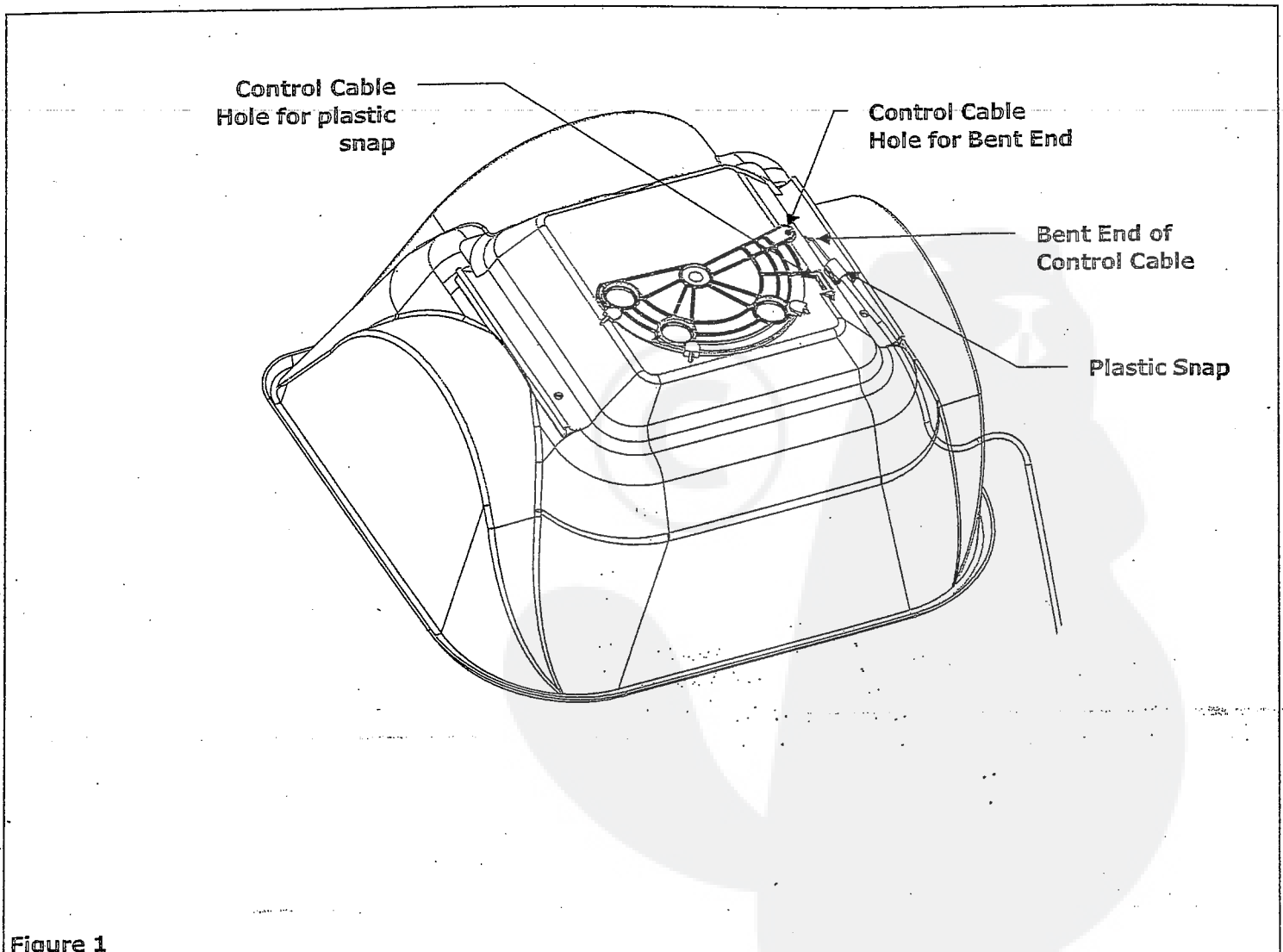
Tools Required for Assembly

- 1 Hammer
- 1 Adjustable Wrench

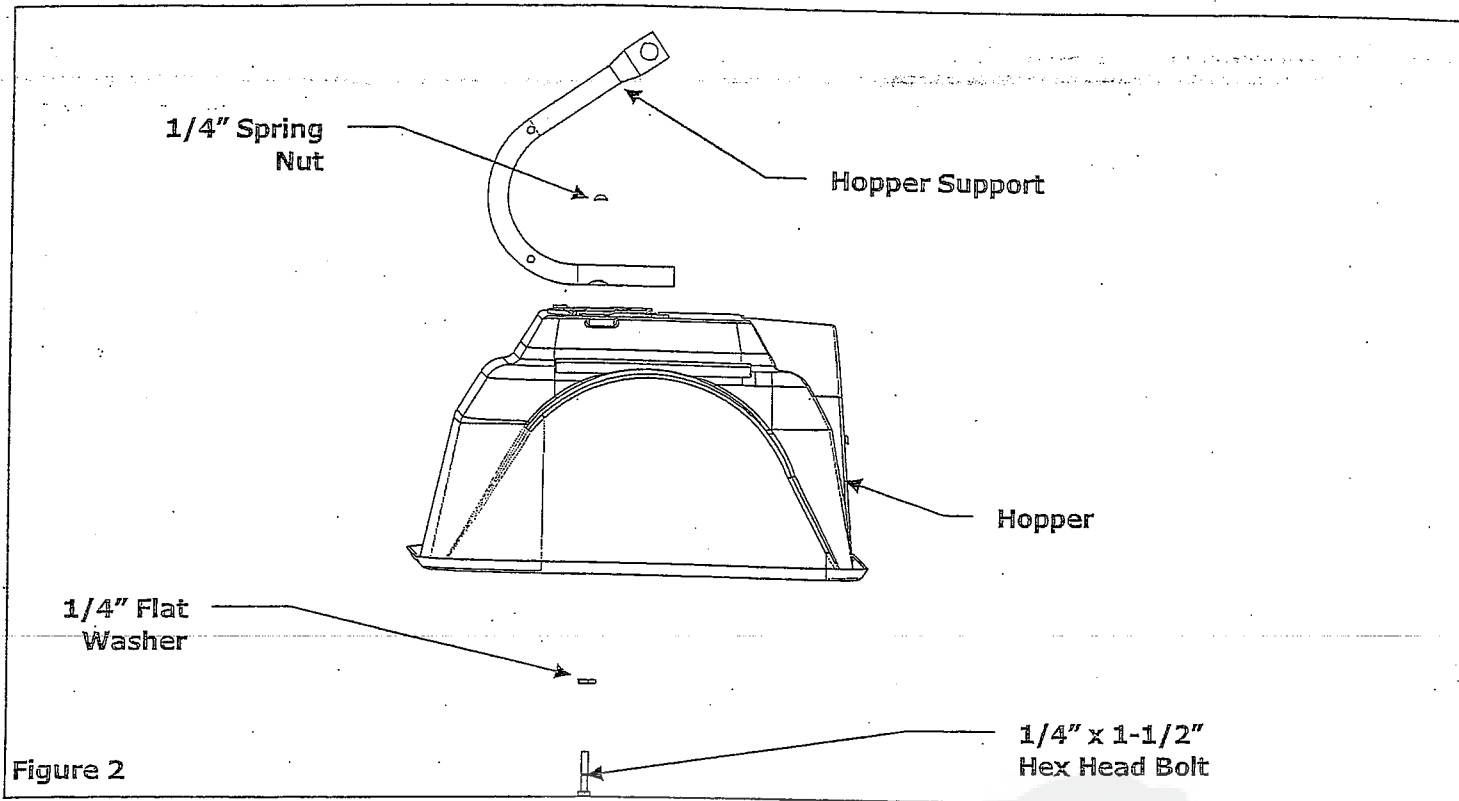
Remove from Carton

Remove all parts and hardware packages from the carton.

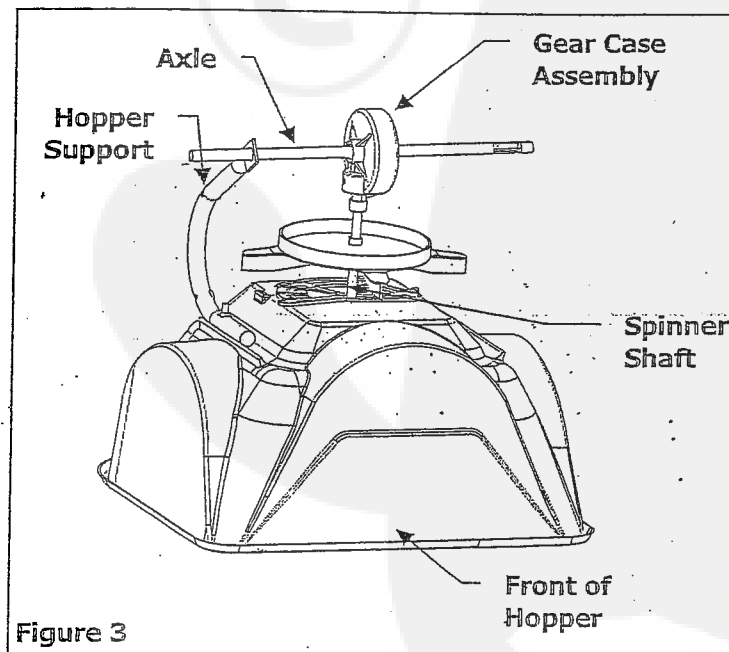
1. Insert the Bent End of the Control Cable through the cable attachment on the Slide Plate. Push the plastic snap on the Control Cable into the Control Cable Hole on the bottom of the Hopper. See Figure 1.



2. Attach one Hopper Support to the bottom of the Hopper using a 1/4" x 1-1/2" Hex Head Bolts, one 1/4" Flat Washer and one 1/4" Spring Nuts. Insert the bolt through the 1/4" Flat Washer, the hole in the bottom of the Hopper, through the hole in the Hopper Support and secure with a 1/4" Spring Nut. See Figure 2,



3. Insert Gear Case Assembly Axle through the axle hole on the Hopper Support. Inset the Spinner Shaft into the small hole in the center of the Hopper. Make sure the notched side of the Axle is to your right when facing the front of the Hopper. Repeat on other Hopper Support the same as the first one. See Figure 3.



4. Push a Split Bushing on the Axle followed by a Split Bushing over the drive stab on the Axle. Then insert into the axle hole on the Hopper Support. Repeat on the other side of the Axle. See Figure 4.

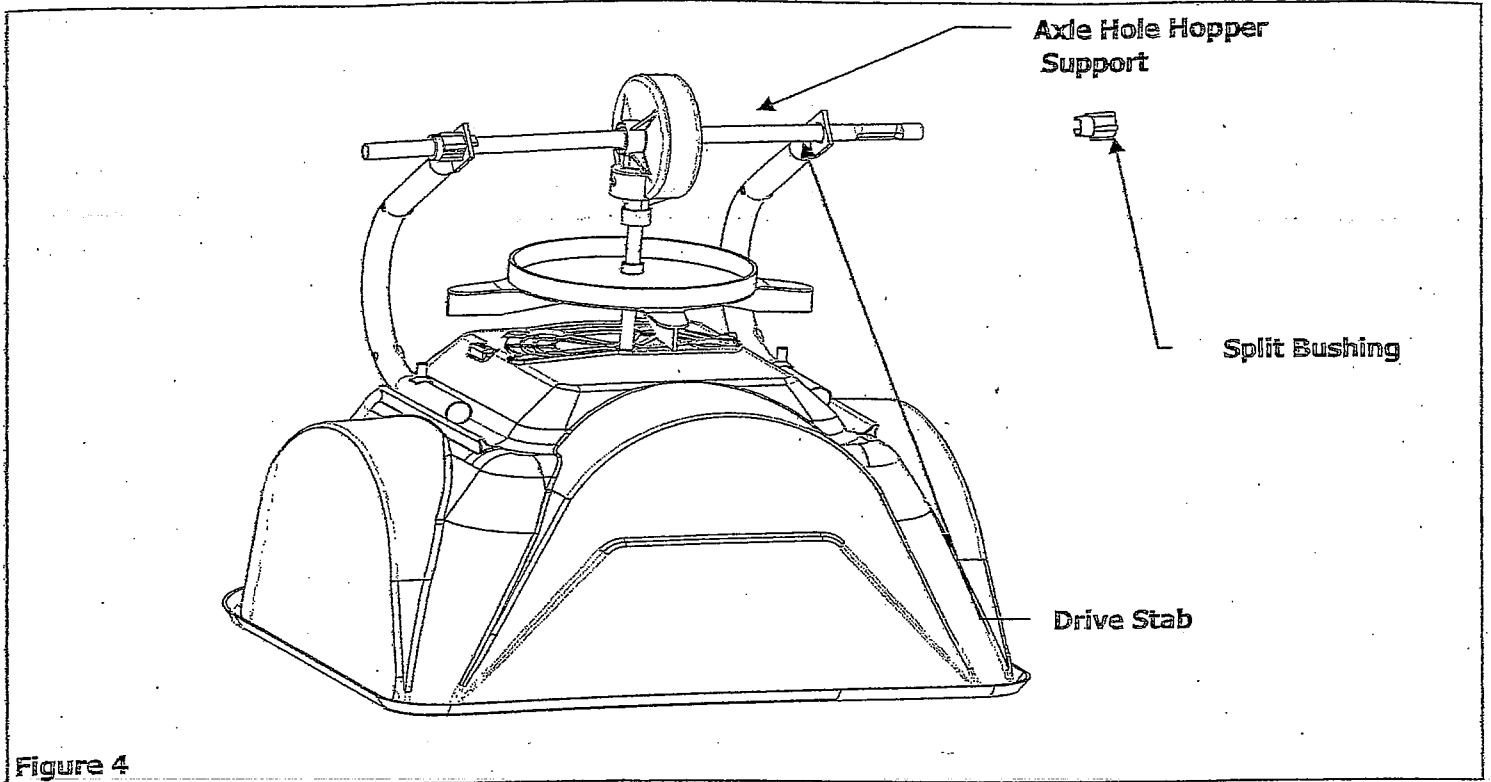


Figure 4

5. Place the Wheel on the Axle. Using a hammer; tap the Hubcaps on the end of each side of the Axle to secure the Wheels. See Figure 5.

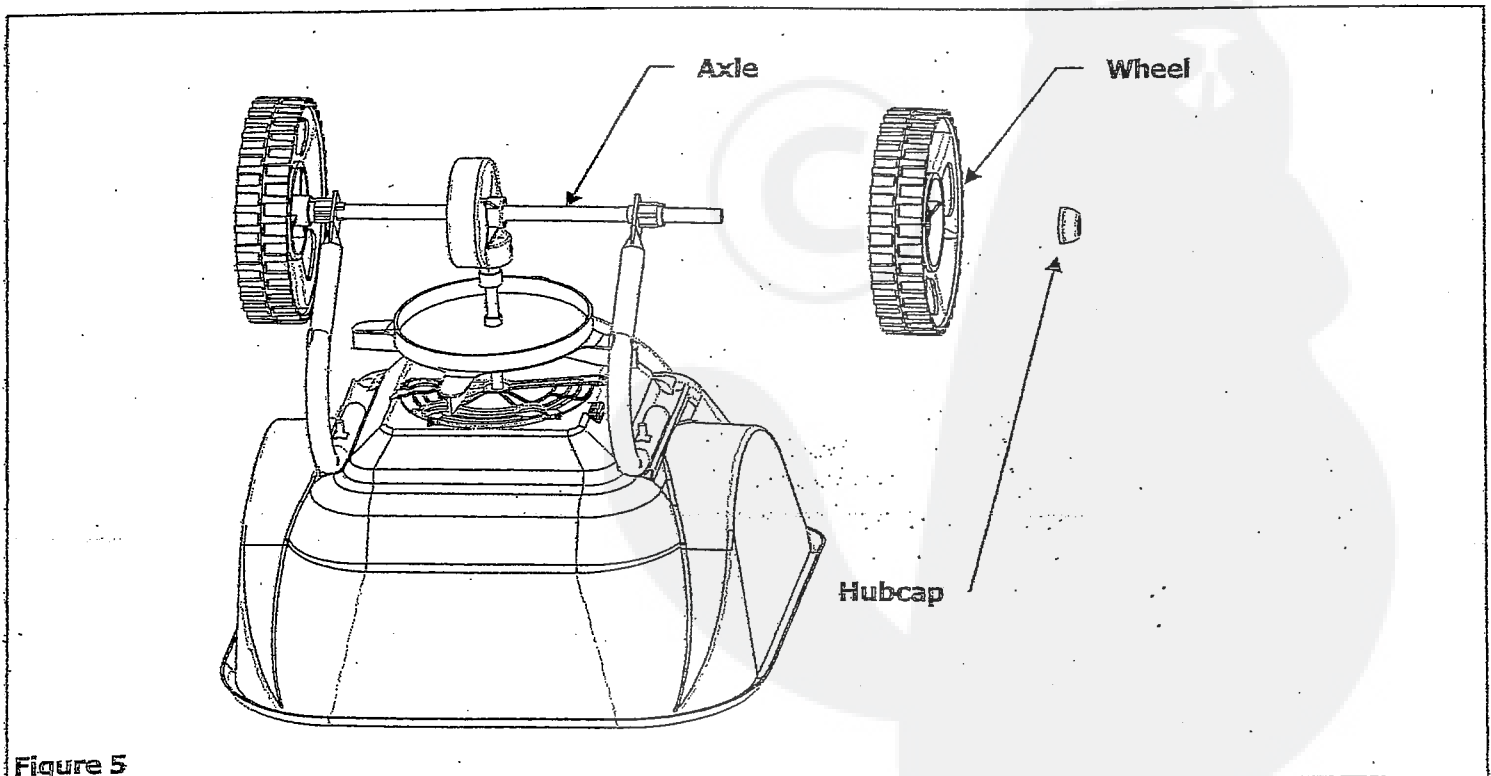


Figure 5

6. Attach the Leg Stand to the Hopper Supports using four $\frac{1}{4}$ " x $1\text{-}\frac{3}{4}$ " Carriage Bolts and four $\frac{1}{4}$ " Hex Head Nuts. See Figure 6.

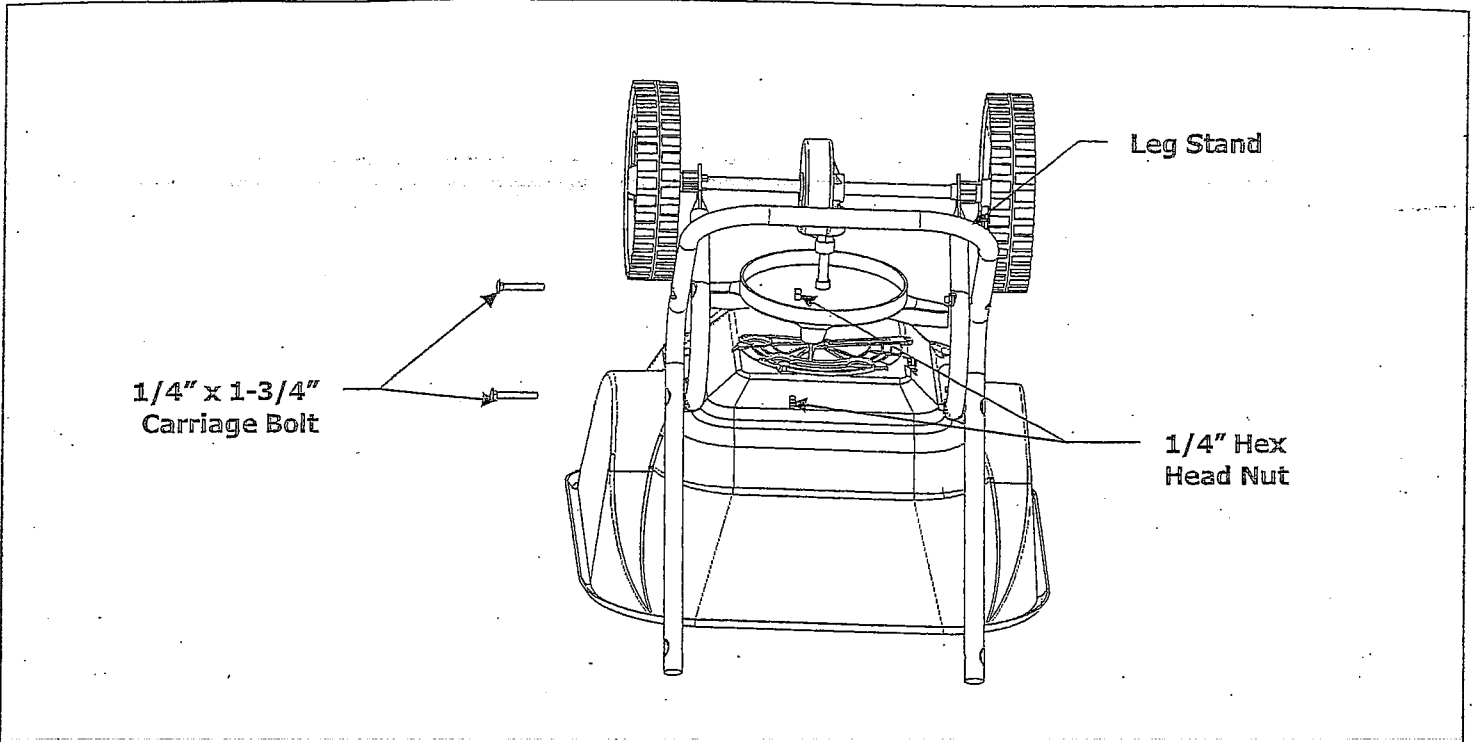


Figure 6

7. Attach the Handle to the Leg Stand, using two $\frac{1}{4}$ " x $1\text{-}\frac{1}{4}$ " Carriage Bolts and two $\frac{1}{4}$ " Hex Head Nuts. Insert bolt into hole in Handle and Leg Support. Secure with $\frac{1}{4}$ " Hex Head Nut. Repeat process on other side. See Figure 7.

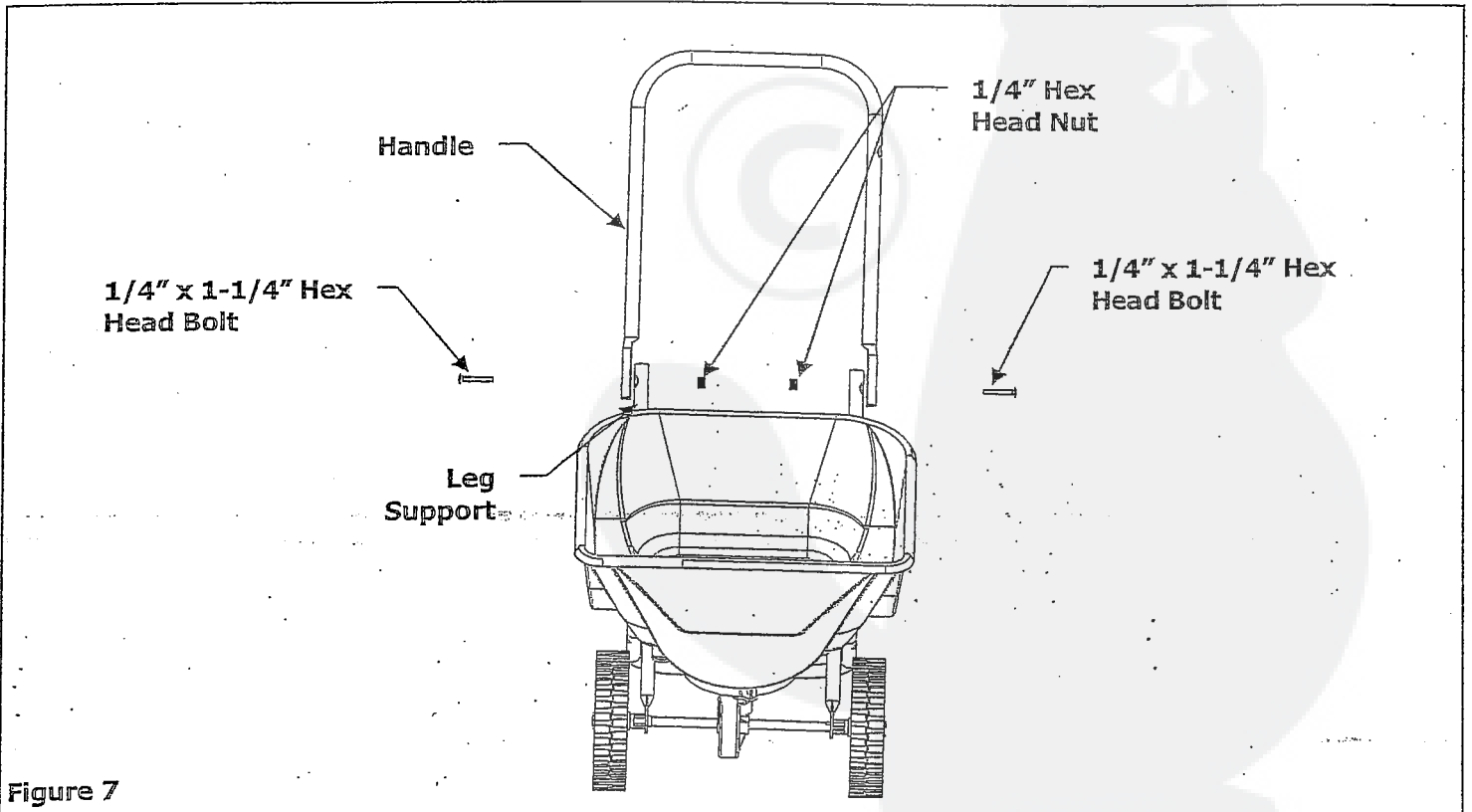
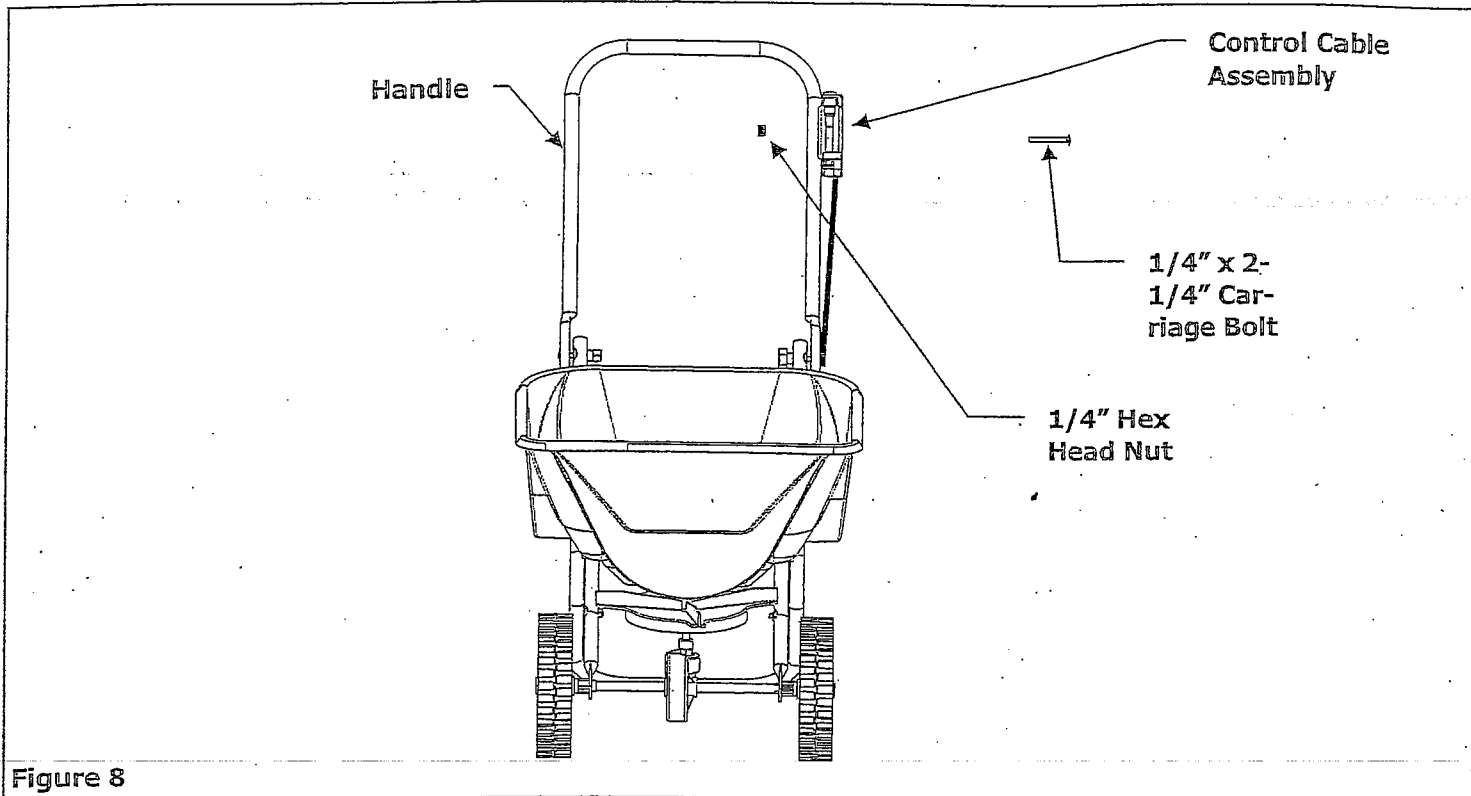
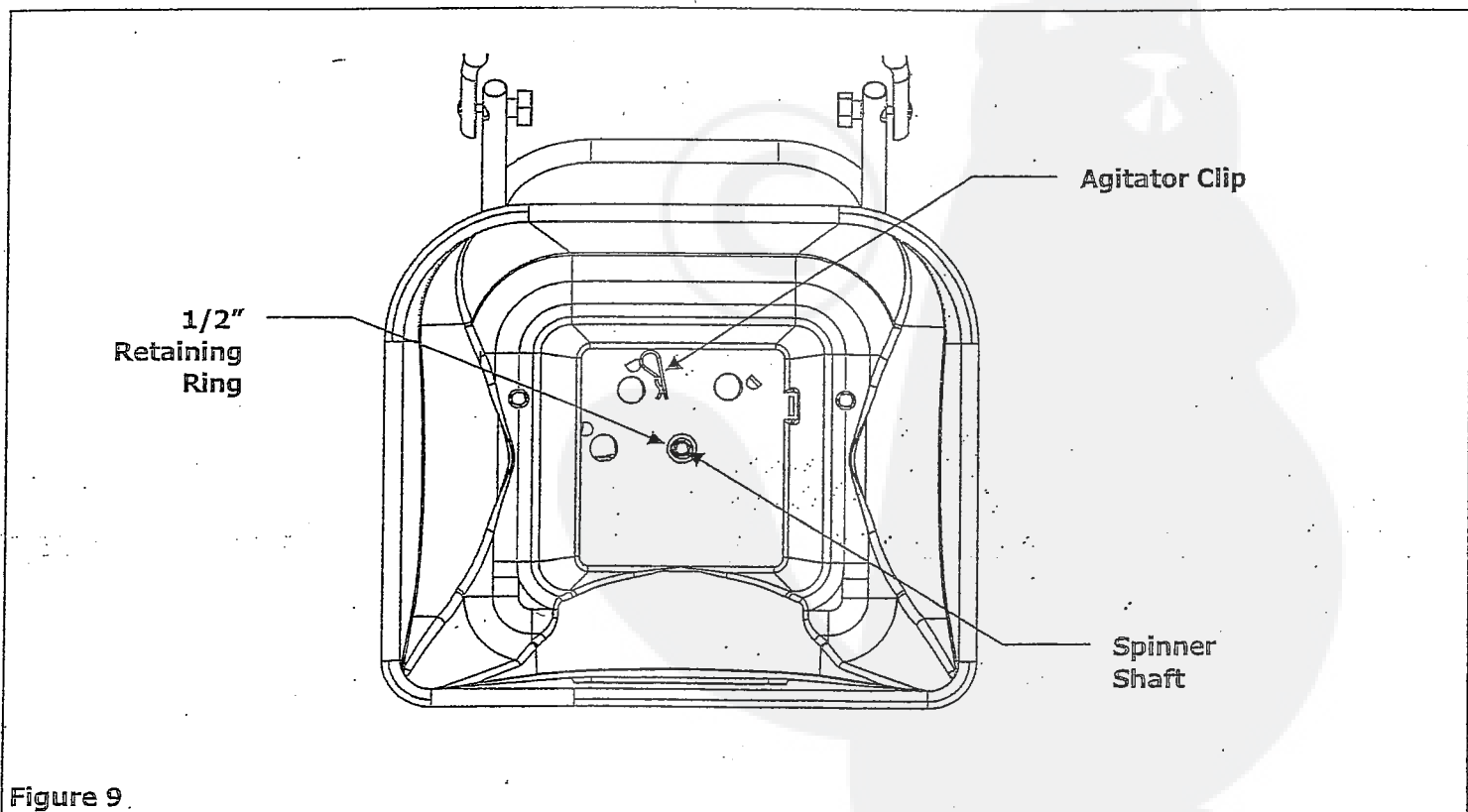


Figure 7

8. Attach the Control Cable to the Handle using one 1/4" x 2-1/4" Carriage Bolt and one 1/4" Hex Head Nut. Insert the 2-1/2" Carriage Bolt into the hole in the Control Cable and through the hole in the Handle, secure with a 1/4" Hex Head Nut. See Figure 8.



9. Insert the 1/2" Retaining Ring onto the Spinner Shaft. Place the Agitator Clip completely through the hole in the top of the Spinner Shaft. See Figure 9.



Broadcast Spreader Application Chart

Applying Product

1. Set Flow Rate

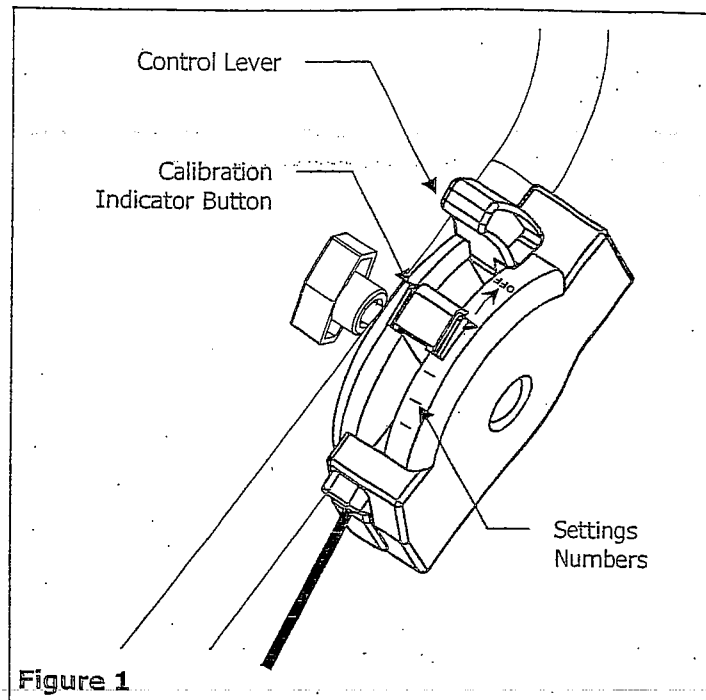
- Calculate or find the rate setting for the product being spread. See the calculation chart on the next page.
- With control lever in the off position, press down on the calibration indicator button and slide it to desired setting number.

2. Fill the Hopper

- With the spreader control lever in the off position, fill the spreader over a patch of bare ground or sidewalk/driveway.
- **DO NOT** fill the spreader on the lawn. Sweep up any spilled product.

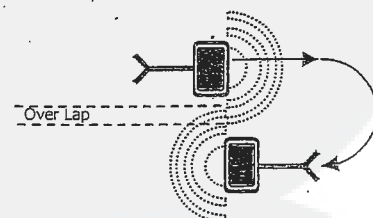
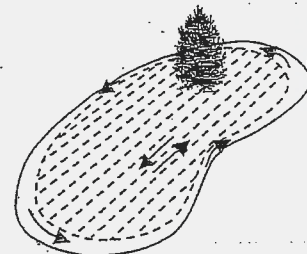
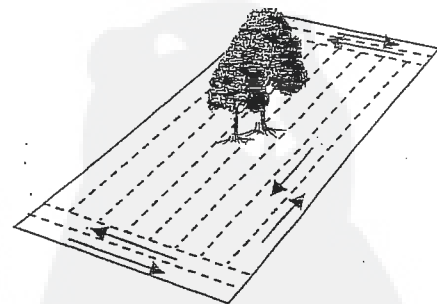
3. Apply

- While unit is in motion at approximately 3 miles per hour, push spreader control lever up to calibration indicator button to release product.



Application Tips

- For rectangular lawns, apply two header strips at each end of the lawn and then go back and forth between the header strips. Close spreader at the end of each pass and reopen at the start of next pass.
- For irregular-shaped lawns, apply one header strip around the entire lawn, and then go back and forth.
- To avoid streaks or misses, slightly overlap each strip over the edge of the previous strip.
- Use the settings under "Standard Settings" Section for most applications by figuring lbs. per 1000 square feet.
- These numbers are for a one pass application.
- A two pass application is recommended, using a crisscross pattern. If using this method, use half the setting number given.
- If you think too much is being applied, cut down your setting. The solution for too much fertilizer is water.
- Close Spreader at the end of each pass. Open again at the start of your next pass.



Calculating Your Flow Setting

To calculate how many pounds of material to spread per 1000 square feet of lawn. Follow these steps.

1. Read on your material bag how many square feet of area the contents of the bag will cover and how many pounds the bag weighs.

Example:

You have purchased a bag of fertilizer that states that it will cover 5,000 square feet, and weighs 16.0 pounds.

2. To calculate coverage divide bag weight by suggested coverage to obtain pounds per square foot that is needed to be applied.

Example:

$16.0 \text{ lbs.} \div 5,000 \text{ sq. ft.} = .0032 \text{ lbs./sq. ft.}$

3. To calculate how much you need for 1000 sq. ft. multiply the pounds per square foot obtained above by 1000.

Example:

$.0032 \text{ lbs./sq. ft.} \times 1000 = 3.2 \text{ lbs./1000 sq. ft.}$

4. Refer to standard settings table and locate the appropriate settings number.

Example:

3.2 lbs./1000 sq. ft. is closest to a 3 lbs./1000 sq. ft. so the spreader setting is a 5.

These are general information setting intended to be used as only references.

STANDARD SETTINGS

Fertilizer Lbs. per 1000 sq. ft.	Setting Broadcast Spreaders
-------------------------------------	--------------------------------

2.5	4
3.0	5
3.5	5.5
4.0	6

Grass Seed	Setting
------------	---------

Blue Grass	3
Bent Grass	3
Fine Mixture	10
Coarse Seed	10

Insecticide (Diazinon)	Setting
---------------------------	---------

3.5

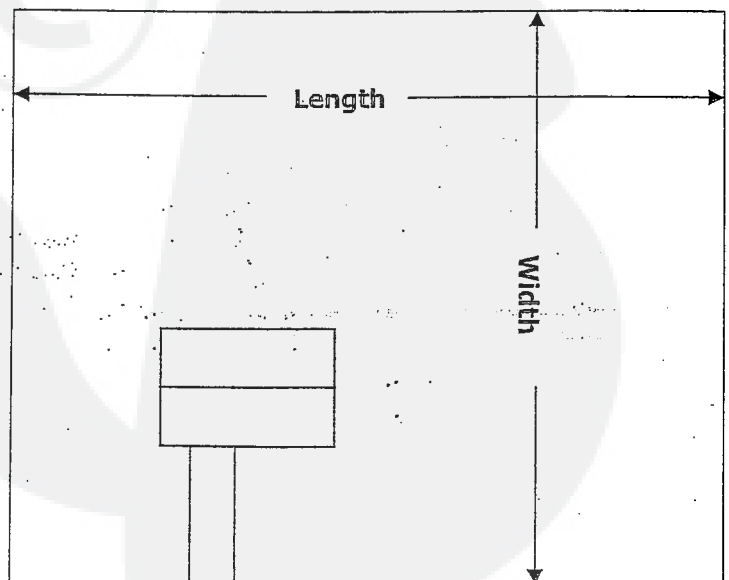


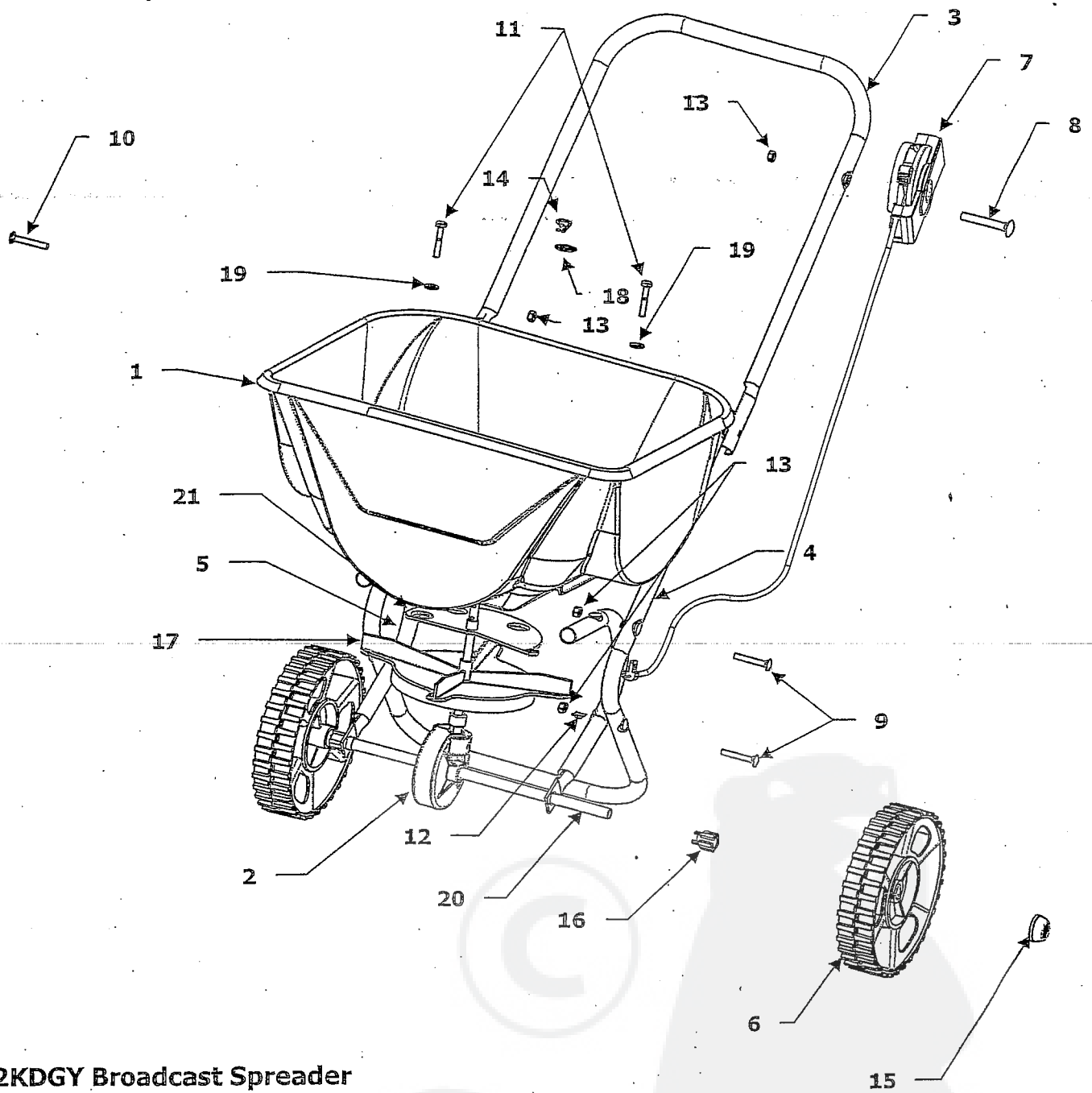
Caution

On the bag of fertilizer there should be a chart that gives the recommended settings for that particular bag. Because different manufacturers of fertilizer make the granules different sizes it is impossible for spreader manufacturers to give guidelines for all of the different fertilizers. In addition to this walking speed and terrain, may vary, therefore settings may need to be adjusted. Because of these conditions, Precision Product Inc. makes no warranty as to the uniformity of coverage actually obtained from any of these calculations.

$$\begin{array}{r}
 \text{_____ Length} \\
 \times \text{_____ Width} \\
 \hline
 = \text{_____ Total sq. ft.} \\
 - \text{_____ Non-Lawn Area} \\
 \quad \text{House, drive etc.} \\
 \hline
 = \text{_____ Total sq. ft.} \\
 \quad \text{Coverage}
 \end{array}$$

CALCULATING COVERAGE AREA





SB42KDG Broadcast Spreader

Ref.	Part No.	Qty.	Description
1	3936	1	Hopper
2	3948	1	Gear Case Assembly
3	1048GYOS	1	Handle
4	1032GYOS	1	Leg Stand
5	1002GYOS	2	Hopper Support
6	1916L	2	Wheel
7	2441	1	Control Cable Assembly
8	1868	1	1/4" x 2-1/4" Carriage Bolt
9	1408	4	1/4" x 1-3/4" Carriage Bolt
10	1407	2	1/4" x 1-1/4" Carriage Bolt
11	6129	2	1/4" x 1-1/2" Hex Head Bolt

Ref.	Part No.	Qty.	Description
12	1051	2	1/4" Spring Nut
13	1270	7	1/4" Hex Head Nut
14	1042	1	Agitator Clip
15	1040	2	1/2" Hubcap
16	2680	2	1/2" x 1" Split Spacer
17	2641	1	Spinner Disc
18	1008	1	1/2" Retaining Ring
19	1817	2	1/4" Flat Washer
20	2699GY	1	Axle
21	1307	1	Slide Plate

The limited warranty set forth below is given by Precision Products Incorporated with respect to new merchandise purchased and used in the United States, its possessions and territories.

Precision Products Incorporated warrants the product(s) listed against defects in material and workmanship, and will at our option, repair or replace, free of charge, any part found to be defective in materials or workmanship. This limited warranty shall only apply if this product has been assembled, operated, and maintained in accordance with the owner's manual furnished with the product, and has not been subjected to misuse, abuse, neglect, accident, improper maintenance, alteration, vandalism, theft, fire, water, or damage because of other peril or natural disaster.

Normal wear parts or components thereof are subject to separate terms as follows: All normal wear parts or component failures will be covered on the product for a period of one year. Parts found to be defective within the warranty period will be replaced at our expense. Our obligation under this warranty is expressly limited to the replacement or repair, at our option, of parts found to be defective in material and workmanship.

Contacting Service

Warranty parts replacements are available, **ONLY WITH PROOF OF PURCHASE**, through our Customer Service Department.

Call **1 (800) 225-5891**

This limited warranty does not provide coverage in the following cases:

1. Routine maintenance items such as lubricants and filters.
2. Normal deterioration of the exterior finish due to use or exposure.
3. Transportation and/or labor charges.

No implied warranty, including any implied warranty of merchantability of fitness for a particular purpose, applies after the applicable period of expressed written warranty above as to the part as identified below. No other expressed warranty, whether written or oral, except as mentioned above, given by any person or entity, including a dealer or retailer, with respect to any product, shall bind Precision Products Inc. during the period of the warranty. The exclusive remedy is repair or replacement

of the product as set forth above. The provisions as set forth in this warranty provide the sole and exclusive remedy arising from the purchase.

Precision Products Inc. will not be liable for incidental or consequential loss or damage including, without limitation, expenses incurred for substitute or replacement lawn care services, or for rental expenses to temporarily replace a warranted product.

Some states do not allow the exclusion or limitation of incidental or consequential damages, or limitations on how long an implied warranty lasts, so the above exclusions or limitations may not apply to you.

During the warranty period, the exclusive remedy is replacement of the part. In no event shall recovery of any kind be greater than the amount of the purchase price of the product sold. Alteration of safety features of the product shall void this warranty. You assume the risk and liability for loss, damage, or injury to you and your property and/or to others and their property arising from the misuse or inability to use this product.

This limited warranty shall not extend to anyone other than the original purchaser or to the person for whom it was purchased as a gift.

Local Law to this Warranty

This limited warranty gives you specific legal rights, and you may also have other rights which vary from state to state.

Warranty Period

The warranty period stated below begins with the **Proof of Purchase**. Without the proof of purchase, the warranty period begins from the date of manufacture.

Product Warranty Period

The warranty period for this product is as follows: All parts are covered for 1 year.