

SB6000RD

2996-1

Broadcast Spreader

Assembly Instructions & Parts List

11/05



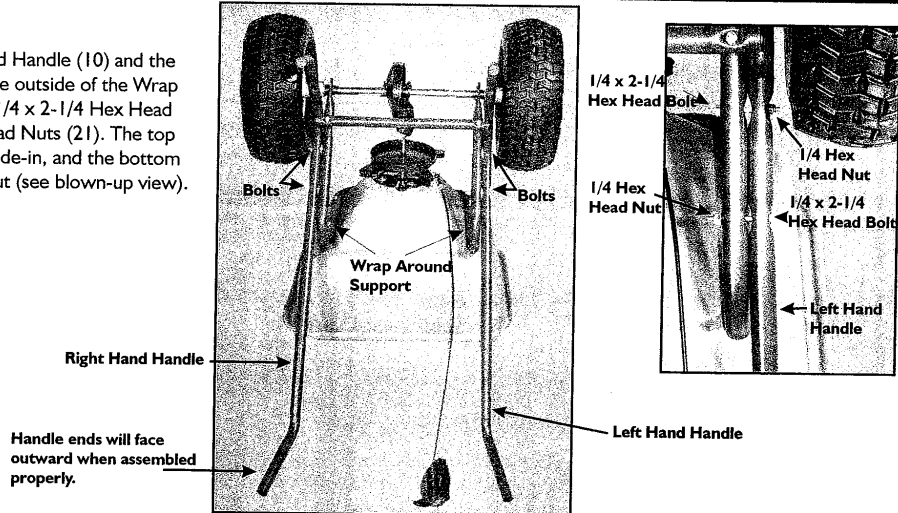
Precision

ASSEMBLY INSTRUCTIONS FOR THE SB6000RD

ASSEMBLY TIP: Loosely tighten nuts and bolts at first. Fully tighten when the spreader is completely assembled.

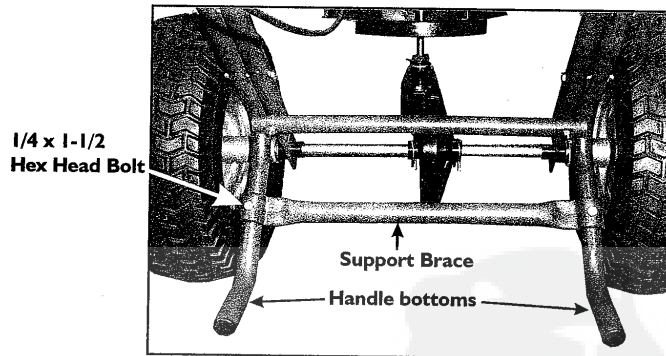
Step 1

Attach both the Right Hand Handle (10) and the Left Hand Handle (4) to the outside of the Wrap Around Support (6) using 1/4 x 2-1/4 Hex Head Bolts (12) and 1/4 Hex Head Nuts (21). The top bolts will go from the outside-in, and the bottom bolts will go from inside-out (see blown-up view).



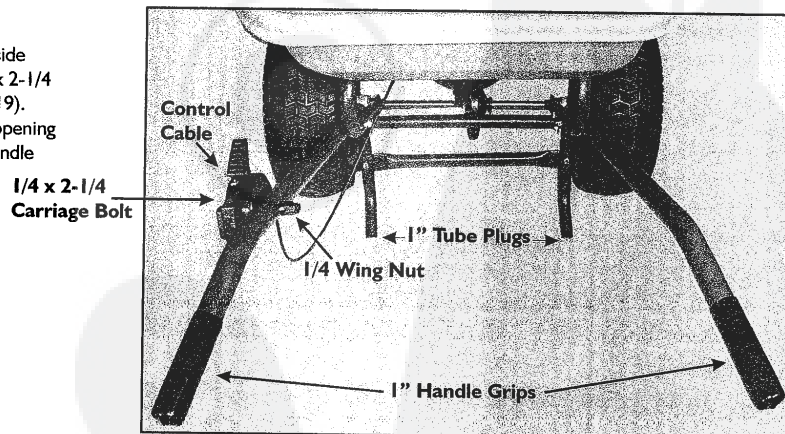
Step 2

Attach the Support Brace (5) to the bottom of the Right Hand Handle (10) and the Left Hand Handle (4) using 1/4 x 1-1/2 Hex Head Bolts (14) and 1/4 Hex Head Nuts (21).



Step 3

Attach the Control Cable (8) to the outside of the Left Hand Handle (4) using a 1/4 x 2-1/4 Carriage Bolt (11) and a 1/4 Wing Nut (19). Insert the 1" Tube Plugs (23) inside the opening of both handle bottoms. Place the 1" Handle Grips (32) over both handle tops.



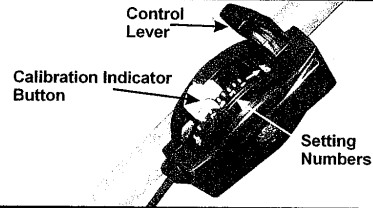
BROADCAST SPREADER APPLICATION CHART

USING YOUR SPREADER:

Settings are made by pressing down on the Calibration Indicator button and setting to the desired number on the Control Cable Assembly (See Photo).

TO OPEN SLIDE PLATE: Push the Control Lever forward until it stops against the button.

TO CLOSE SLIDE PLATE: Pull the Control Lever fully back toward yourself.



MAINTENANCE INSTRUCTIONS:

AFTER EACH USE: Wash unit thoroughly and let dry.

CAUTION: Care must be taken with any weed killer, pesticide or combination product. They can be harmful to other plant life in the yard.

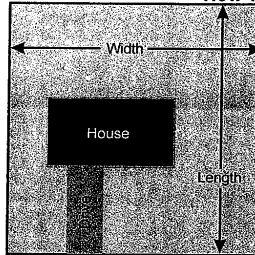
TIPS:

- * Always follow directions indicated on this instruction sheet.
- * Never apply a lawn care product by hand.
- * Walk at a steady pace to ensure even application throughout the lawn. The faster you walk, the thinner the coverage.
- * To avoid gaps and streaks, first spread the border of lawn and then fill in center with uniform parallel passes.
- * For best results, apply in two passes, using a crisscross pattern and 1/2 of setting number given below.
- * All fertilizers should be watered in after application.
- * In case of accidental over application, increase watering.

General Instructions for properly setting your Spreader

1. Use the settings under "Standard Settings" Section for most applications by figuring lbs. per 1000 square feet.
2. These numbers are for a one pass application.
3. A two pass application is recommended, using a crisscross pattern. If using this method, use half the setting number given.
4. There are too many variables involved with setting any spreader to perfectly grade the settings. Differences will exist between fertilizers, even if they are the same brand and type.
5. If you think too much is being applied, cut down your setting. The antidote for too much fertilizer is water.
6. Close Spreader at the end of each pass. Open again at the start of your next pass.
7. Gravity and motion are critical forces influencing the Spreader. The faster you walk, the thinner the coverage.

How To Measure Lawn Application Total



$$\begin{aligned} & \text{_____ Length} \\ & \times \text{_____ Width} \\ & = \text{_____ Total Sq. Ft.} \\ & - \text{_____ Non-Lawn Areas (House, Drive etc.)} \\ & = \text{_____ Total Sq. Ft. Coverage} \\ & \quad \text{To Be Treated.} \end{aligned}$$

CALCULATING POUNDS PER 1,000 SQUARE FEET

To calculate how many pounds of fertilizer to put down, you first need to read on the fertilizer bag how many square feet the fertilizer will cover. For example: you have purchased a bag of fertilizer that states it will 15,000 square feet, and weighs 46.56 pounds. To figure coverage simply divide the bag weight by the suggested coverage to get how many pounds per square feet. This example would be $46.56 / 15,000 = .003104$ pounds per square feet. To convert up to 1,000 square feet simply multiply .003104 by 1,000 to equal 3.104 pounds. **CAUTION:** These settings are intended for reference only. As there are variables involved with setting any spreader, including physical composition of the material being applied, walking speed and terrain; settings may have to be adjusted. Because of these conditions, Precision Pro Inc. makes no warranty as to the uniformity of coverage actually obtained from the settings listed.

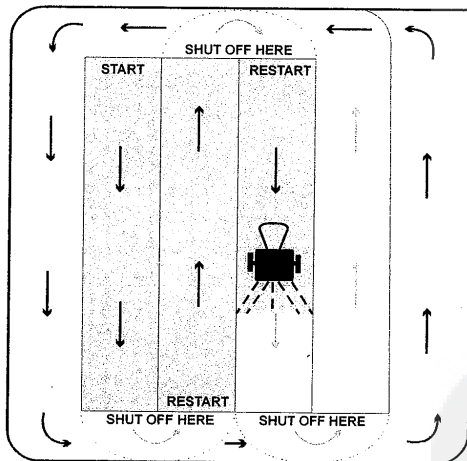
The following settings can be used to apply products not found in the application chart. These are general information settings intended to be used as references.

STANDARD SETTINGS

Fertilizer	Setting	Grass Seed	Setting	Insecticide	Setting
Pounds Per 1000 sq. Ft.	Broadcast Spreaders	Blue Grass	3	(Diazinon)	Broadcast 3.5
2.5	4	Bent Grass	3	2	
3	5	Fine Mixture	10		
3.5	5.5	Coarse Seed (Rye, Fescue Bermuda)	10		
4	6				

All Season, Farmers Seed & Nursery, Howard Johnsons, Atwoods, Gold Kist, Lawn Groom, Bachman Nursery, Grand Prize, Loveland Lawns, Barzen Seed, Gravinas Nursery, Nursery Pro, Green Charm, Ql Farm & Fleet, Coast to Coast, Green Spot, Shur Green, Colonial Garden, Greenbrier, Super America, Duckwall - Alco, Gurneys, Supreme Brand, Farm & Home, Hardware Hank, Surety

Spread Diagram



Brand Setting Pounds per 1000 Sq. Ft.

10-6-4 Weed & Feed	4.5	4
18-22-6 Starter Winterizer	3.5	3
20-10-5 Turf Food	4.5	4
22-3-11 Crabgrass Preventer Plus	4.5	4
25-3-3 Weed 7 Feed 2/Triamine	4.5	4
26-3-3 Turf Food	4.5	4
Agway		
Greenlawn 29-2-4 Team	3 / 4	3 / 4.5
Greenlawn Weed & Feed 31-3-5	3	3
Starter 13-25-12	3.5	4
Greenlawn 32-3-5 4 Win	3	3
Stage 1 New Seeding 11-23-10	3 / 2	3.5 / 1.75
Stage 1 Team 22-4-10	3 / 3.5	3 / 4.5
Stage 2 Weed & Feed 27-4-6	3	3.2
Stage 3 Fertilizer with Insect Control 25-3-3	3.5	2
Stage 4 Fall 25-3-13	3.5	3.6
Greenlawn Fall Weed & Feed 24-5-14	3	3.2
Fall 26-3-13	3.5	3.8
Spring Crabgrass Team	3 / 3.5 / 4	1.75 / 2.25 / 3
Lawn Weed Control Timec	4	2

Brand	Setting	Pounds per 1000 Sq. Ft.	Brand	Setting	Pounds per 1000 Sq.
Bandini			Forever Green		
Fall & Winter 21-6-12	5	4	Fall Weed & Feed 18-5-10	4	3.6
Pre Sprout 1 6-4-6	5.5	4.5	Lawn Food 27-3-4	4	3.6
Pre Sprout 2 16-4-6	6	5	Starter / Winterizer 18-12-14	4	3.6
St. Augustine Weed & Feed 15-5-7	5	4	Crabgrass Preventer 22-3-5	4	3.6
Start-N-Grow 6-20-20	8	13	Weed & Feed 26-3-5	4	3.6
Super Blade 26-3-6	4.5	3.6			
Super Blade Weed & Feed 25-3-6	4.5	3.6			
Super Green Fast Acting 21-7-14	5	4	Ideal		
Super Green Longer Lasting 28-4-6	4	3	Lawn Food 20-5-10	4.5	4
Super Green Weed & Feed 15-7-7	5	4	Weed & Feed 10-6-4	4.5	3.4
Super Plush Fall & Winter 23-4-7	5	4			
Super Plush Lawn Food 26-3-5	4	3.2	Ringer		
Super Plush Weed & Feed 15-7-7	5	4	9-4-4 Lawn Restorer	7	10
Best			Scotts		
Golden Turf Supreme 27-3-7	4.5	4	Super Turf Builder 30-3-3	4.5	3.2
Golden Turf Supreme Weed & Feed 26-2-6	3.5	3.6	Turf Builder 29-3-4	4.5	3.1
Best Turf Supreme 16-6-8	5	5	Scotts Turf Builder w/Halts Crabgrass Preventer	4	2.8
Best Turf Supreme Crabgrass & Lawn Fertilizer	3.5	3.6	Starter Fertilizer	4.5	3.6
Best Turf Supreme Fall & Winter Feed 20-3-13	5	4	Halts Crabgrass Preventer	3	2.2
Best Turf Supreme St. Augustine 16-7-7	3.5	3.6	Moss Control 0-0-16	3.5	3.6
Best Turf Supreme Starter 6-20-20	5	10	Fall Winterizer 24-3-12	4	3.3
Best Turf Supreme Weed & Feed 15-5-7	3.5	3.6	Weed & Feed Plus Fertilizer 27-4-4	4	3.0
			Diazin Lawn Insect Control	3	2.2
			Insect Control Plus Lawn Fertilizer 23-3-9	5	3.0
			Crabgrass Preventer Plus Fertilizer 21-3-3	4	3.8
			Lawn Fertilizer Plus 2% Iron 26-3-4	4	3.0
Earl May			Sta-Green		
25-3-7 Dandelion Control & Food	4	3.5	Bahia Weed & Feed 24-6-12	5	3.5
Insect Control / Lawn & Garden	2	2	Winter Conditioner 8-8-25	4.5	4.5
27-4-8 Lawn & Turf Food	4	3.5	3+3 Lawn Fertilizer 31-2-4	5.5	3.6
			Fall Feed / Winterizer 22-3-14	4.5	3.1
			St. Augustine Weed & Feed 27-3-8	4.5	4
			Texas Fertilizer 15-5-10	6	6.6
			Centipede Weed & Feed 15-0-15	5	4
			Feed & Sod Start 18-24-10	4.5	3.6
			Lawn Fertilizer 29-2-5	4.5	3.6
			Ultra Starter 20-28-6	5	3.6
			Ultra Fertilizer 31-2-4	5	3.6
			Ultra Lawn Fertilizer 29-3-4	5	3.6
			Lawn Weed Control	5.5	5
			200 Plus Weed Control & Lawn Fertilizer 28-3-3	5.5	5
			Weed & Feed 28-2-4	5	3.2
			Winterizer Weed & Feed 24-4-11	5	3.2
			Insect Control 28-4-6	4.5	3
			Lawn Weed Control	4	2
			Stein		
			Premium Dandelion Knock Out	2.5	2
			10-18-10 Premium Lawn Starter	4	3.6
			18-4-8 Premium Crabgrass Control	4.5	4
			25-3-3 Premium Food & Weed Control	4	3.6
			34-5-5 Premium Turf Food	4	3.6
			Premium Winterizer	4	3.6
			Vigoro		
			Vigoro Centipede Weed & Feed 15-0-15	5	3.6
			Vigoro Crabgrass Preventer 0-0-0	5	3.6
			Vigoro Crabgrass Preventer & Lawn Fertilizer	5	3.6
			Vigoro Winterizer Weed & Feed 22-4-11	5	3.6
			Vigoro Lawn Fertilizer 29-3-4	5	3.6
			Vigoro Lawn Fertilizer & Insect Control 28-4-6	4.5	3.2
			Vigoro Lawn Weed Control (w/o fert.) 0-0-0	4	4
			Vigoro Texas Turf 15-5-10	6	6.6
			Vigoro Weed & Feed 28-3-3	4.5	3.2
			Vigoro Weed & Feed w/Atrazine 29-3-5	5	4
			Vigoro Winterizer 22-4-14	5	3.6
			Ultra Vigoro Starter Fertilizer 20-28-6	5	3.6
			Ultra Vigoro Lawn Fertilizer 31-2-4	5	3.6
			Ultra Vigoro Weed & Feed 31-3-4	4.5	3.2
			Ultra Vigoro St. Augustine Weed & Feed 30-3-4	5	4
			For VIGORO Lawn Products (Canada ONLY)		
				<u>1/2 Rate</u>	<u>Full Rate</u>
			26-6-6	5	6.5
			24-6-6 W&F	5	6.5
			Can 21-7-7	5	6.5
			Can 21-7-7 W&F	5	6.5
			Prem 21-7-7	5	6.5
			Prem 21-7-7 W&F	5	6.5
			6-8-16	4	5
			6-11-16 W&F	4	6
			Crabgrass	5	7.5
			Insect Grub	5	7
			Cinch	4	5
			Summer	4	5
			12-2-12	5	6
			12-2-12 W&F	5	6
Menards Premier					
Crabgrass Preventer 26-2-8	4	3.4			
Starter/Winterizer 19-8-14	4	3.4			
Lawn Food 30-2-5	4.5	3.4			
Weed & Feed 28-2-8	4	3.4			
Fall Weed & Feed 18-8-12	4	3.4			

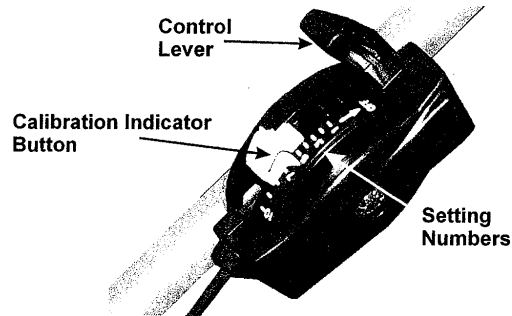
USING YOUR SPREADERS CONTROLLER

Settings are made by pushing down on the Calibration Indicator button and setting to the desired number on the Control Cable assembly.

SEE APPLICATION CHART FOR SETTING INFORMATION.

ON -- Push the Control Lever forward until it stops against Calibration Button.

OFF -- Pull Control Lever back until it stops.



BROADCAST SPREADER OPERATION

1. Always have the control lever in OFF position before filling the hopper.
2. Always pull the spreader forward to operate; do not operate in reverse.
3. Start moving forward before pushing the control lever to the ON position. Pull the control lever to OFF position before stopping or turning.

DO NOT allow spreader to sit stationary with material in the hopper and control lever in the ON position.

4. Pull the spreader at a steady speed (approximately 3 - 4 mph is recommended).
5. To avoid misses or striping, space each pass across the lawn so approximately 20% of the spread width overlaps onto the previous pass. This provides a "feathered" overlap to even out distribution over the width of the spread.

CAUTION: care must be taken with any weed killer, pesticide, or combination product. They can be harmful to other plant life in the yard.

Recommended operating weight -- 120 lbs.

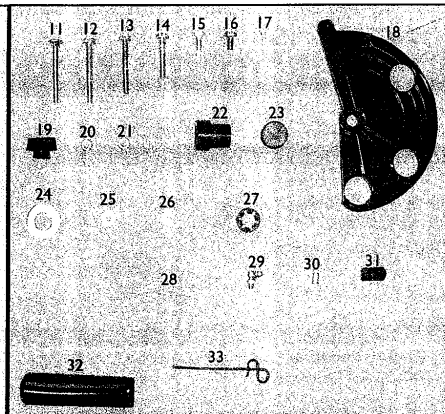
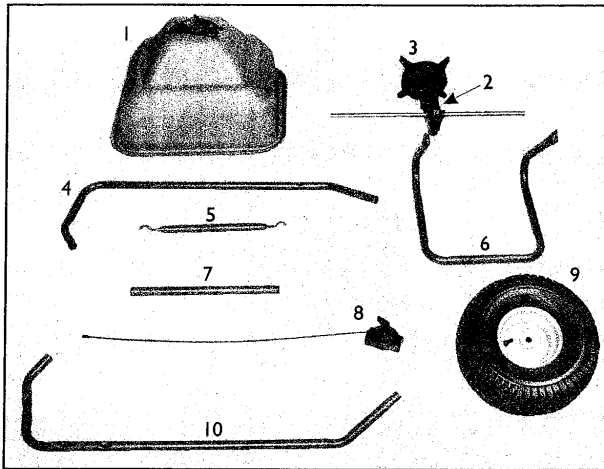
MAINTENANCE INSTRUCTIONS

1. Empty hopper after each use. Do not store spreader with material left in hopper.
2. Wash spreader thoroughly and wipe dry.
3. Lubricate all moving parts. Use a grease gun to apply grease to the gearbox assembly. **CAUTION: Use a reasonable amount of grease. DO NOT pack gearbox full of grease.** Apply oil to spinner shaft (including area shaft extends through hopper), slide plate and where the spinner shaft and axle extend through the gearbox.

LIMITED WARRANTY

This unit is warranted against defects in materials and workmanship to the original purchaser, under normal use and service, for a period of ninety (90) days from date of sale. During the Warranty Period, we will repair or replace at our option free of charge to the original purchaser, any part of the Unit that our examination shows to be defective in workmanship or materials. This Warranty **Does Not** apply to damage caused by transit, misuse, abuse, neglect, accident, normal wear, or alterations by unauthorized persons.

NOTES:



PLEASE DO NOT RETURN THIS MERCHANDISE TO THE STORE. CALL US AND WE WILL TAKE CARE OF ANY PROBLEM YOU MIGHT HAVE WITH THIS PRODUCT.
Phone (800) 225-5891
EXT. #204

HOW TO ORDER

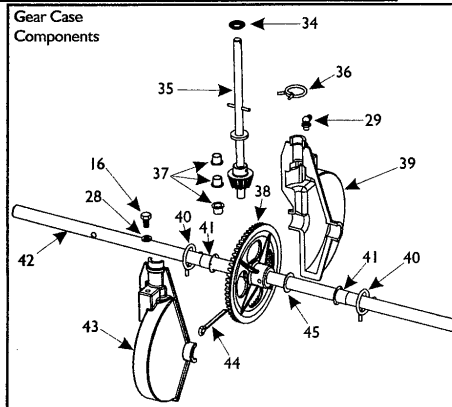
REPLACEMENT PARTS:

When ordering parts always give model number, part number and part description.

Send To: Parts Division
 316 Limit Street
 Lincoln, IL 62656

Phone (800) 225-5891
 (217) 735-1590 Ext. 204
FAX (217) 735-2435
 www.precisionprodinc.com

Gear Case Components



Ref No	Parts No	Description	Qty	Ref No	Parts No	Description	Qty
1	2969	Hopper	1	27	1008	1/2 Retaining Ring	1
2	INSET	Gear Case Assembly	***	28	1262	1/8 x 1-1/4 Cotter Pin	1
3	2614	Spinner Disc	1	29	2983	Grease Zerk	1
4	7127G	Left Hand Handle	1	30	1098	3/16 Cable Clamp	1
5	7124G	Support Brace	1	31	5050C	Plastic Clamp	3
6	7156G	Wrap Around Support	1	32	3042	1" Handle Grip	2
7	7126G	Cross Brace	1	33	2905	Agitator Pin	1
8	2441	Control Cable	1	34	2174	3/8 Retaining Ring	1
9	2998	Wheel	2	35	2982A	Spinner Shaft Assembly	1
10	7125G	Right Hand Handle	1	36	2978	7/8 Spring Clamp	1
11	1868	1/4 x 2-1/4 Carriage Bolt	1	37	2973	3/8 Nylon Bushing	3
12	2101	1/4 x 2-1/4 Hex Head Bolt	4	38	2971	Drive Gear	1
13	1086	1/4 x 2 Hex Head Bolt	3	39	2976	Rear Gear Case Housing	1
14	6129	1/4 x 1-1/2 Hex Head Bolt	7	40	2977	15/16 Spring Clamp	2
15	1647	1/4 x 1/2 Hex Head Bolt	1	41	2970	5/8 Nylon Bushing	2
16	2984	1/4 x 1/2 Hex Head Bolt FT	1	42	2599	Axle	1
17	6010	#6 1/2" Pan Head Screw	3	43	2975	Front Gear Case Housing	1
18	1307	Slide Plate	1	44	2576	3/16 x 2 Cotter Pin	1
19	2828	1/4 Wing Nut	1	45	2988	Shim 5/8 x 1 x .031	1
20	1558	1/4 Lock Nut	1	**	2936B	Strainer (Not Shown)	1
21	1270	1/4 Hex Nut	13	**	2906	Rain Cover (Not Shown)	1
22	6214	5/8 Wheel Bushing	2				
23	3060	1" Tube Plug	2				
24	1646	5/8 Flat Washer	3				
25	1817	1/4 Washer	4				
26	1807	1/4 Lock Washer	1				

TIP: Many of these hardware parts can be purchased at your local hardware store.