

Manual Contents

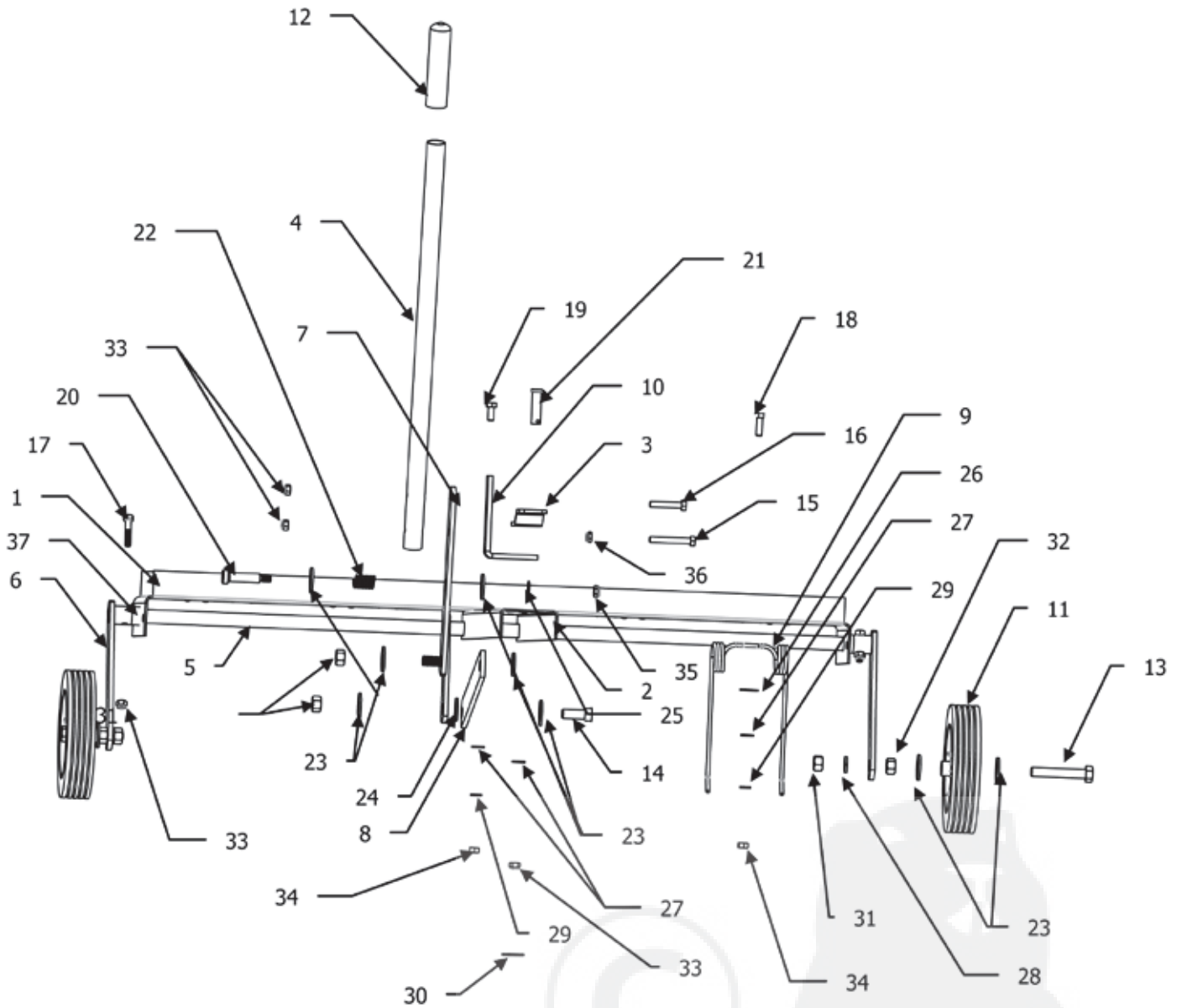
Safety Instructions	2
Assembly	4-9
Operation	10
Maintenance	10
Parts.....	2-3
Warranty	12

Your New Spike Aerator

Congratulations on your purchase of a new Precision Products Inc. Spike Aerator. Your aerator has been engineered and built to give you the most dependable and best performing product possible.

If you experience any problem you can not easily resolve, please feel free to contact our knowledgeable and helpful customer service department toll-free at **1 (800) 225-5891**.

Caution: Read all Safety Instructions and Operating Instructions Carefully.



Ref.	Qty.	Part#	Description
1	1	5592GY	Base Plate
2	1	5561GY	Tow Bar
3	1	1243GY	Clevis Plate
4	1	5576GY	Handle
5	1	5593GY	Axle Assembly
6	2	5568GY2	Wheel Bracket
7	1	4263G	Lever Link
8	1	4240G	Link Bar
9	9	4005GY	Tine
10	1	5564GY	Handle Brace
11	2	3150	Wheels
12	1	30421	Handle Grip
13	2	4271	1/2" x 3" Hex Head Bolt
14	1	5583	1/2" x 1-1/2" Hex Head Bolt
15	1	1752	5/16" x 2-1/4" Hex Head Bolt
16	1	2051	5/16" x 1-3/4" Hex Head Bolt
17	2	4014	5/16" x 1-1/2" Hex Head Bolt
18	11	3738	5/16" x 1" Hex Head Bolt

Ref.	Qty.	Part#	Description
19	5	1248	5/16" x 3/4" Hex Head Bolt
20	1	4011	1/2" x 1-3/4" Shoulder Bolt
21	1	1840	1/2" x 3-1/2" Clevis Pin
22	1	4272	Compression Spring
23	6	1506	1/2" Flat Washer
24	2	5589	1/2" Nylon Washer
25	1	1278	3/8" Flat Washer
26	9	2172	5/16" Fender Washer
27	14	1044	5/16" Flat Washer
28	2	3414	1/2" Lock Washer
29	14	1276	5/16" Lock Washer
30	1	1042	#14 Hitch Pin Clip
31	2	4324	1/2" Jam Nut
32	4	4327	1/2" Nylock Nut
33	6	1749	5/16" Nylock Nut
34	14	1275	5/16" Hex Head Nut
35	1	5590	3/8" Nylock Jam Nut (thin)
36	1	5591	5/16" Nylock Jam Nut (thin)
37	2	4295	1/2" x 1" Spacer