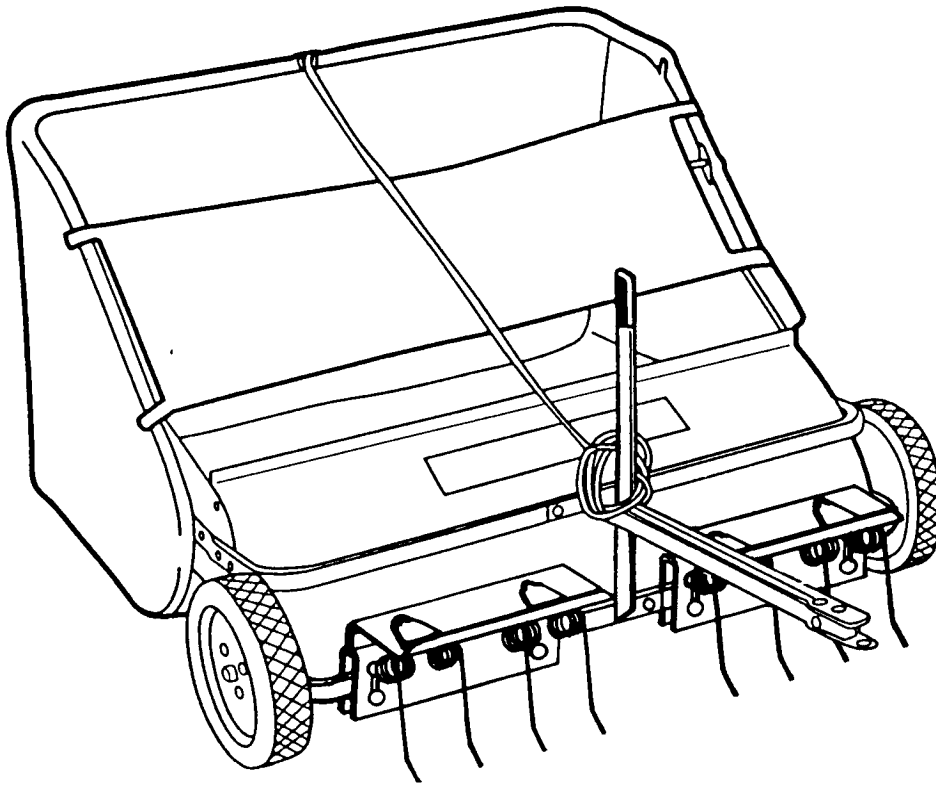


OWNER'S MANUAL

6410



DETHATCHER KIT (Shown on STS-30)

MODEL - DK-300
FOR: STS-30 SWEEPER
(SHOWN)

MODEL: DK-360
FOR: STS-36 SWEEPER

"IMPORTANT: THIS MANUAL CONTAINS INFORMATION FOR THE SAFETY OF PERSONS AND PROPERTY. READ IT CAREFULLY BEFORE ASSEMBLY AND OPERATION OF THE EQUIPMENT!"

LIMITED WARRANTY

Brinly-Hardy Company warrants only to the original retail purchaser that this product will remain free of defects in workmanship and materials under normal use and service for a period of two (2) years (NOTE: ninety (90) days for commercial or rental use) commencing with the date of purchase.

Any parts found to be defective within the warranty period will be replaced, with proof of date of purchase, at Brinly-Hardy Company's expense. Our obligation under this warranty is expressly limited to replacement or repair, at our option of parts which are defective in material or workmanship within thirty (30) days of receipt of the parts. This warranty does not apply to damage caused by unreasonable use, including failure to provide necessary maintenance, nor does it apply to any transportation or labor charges.

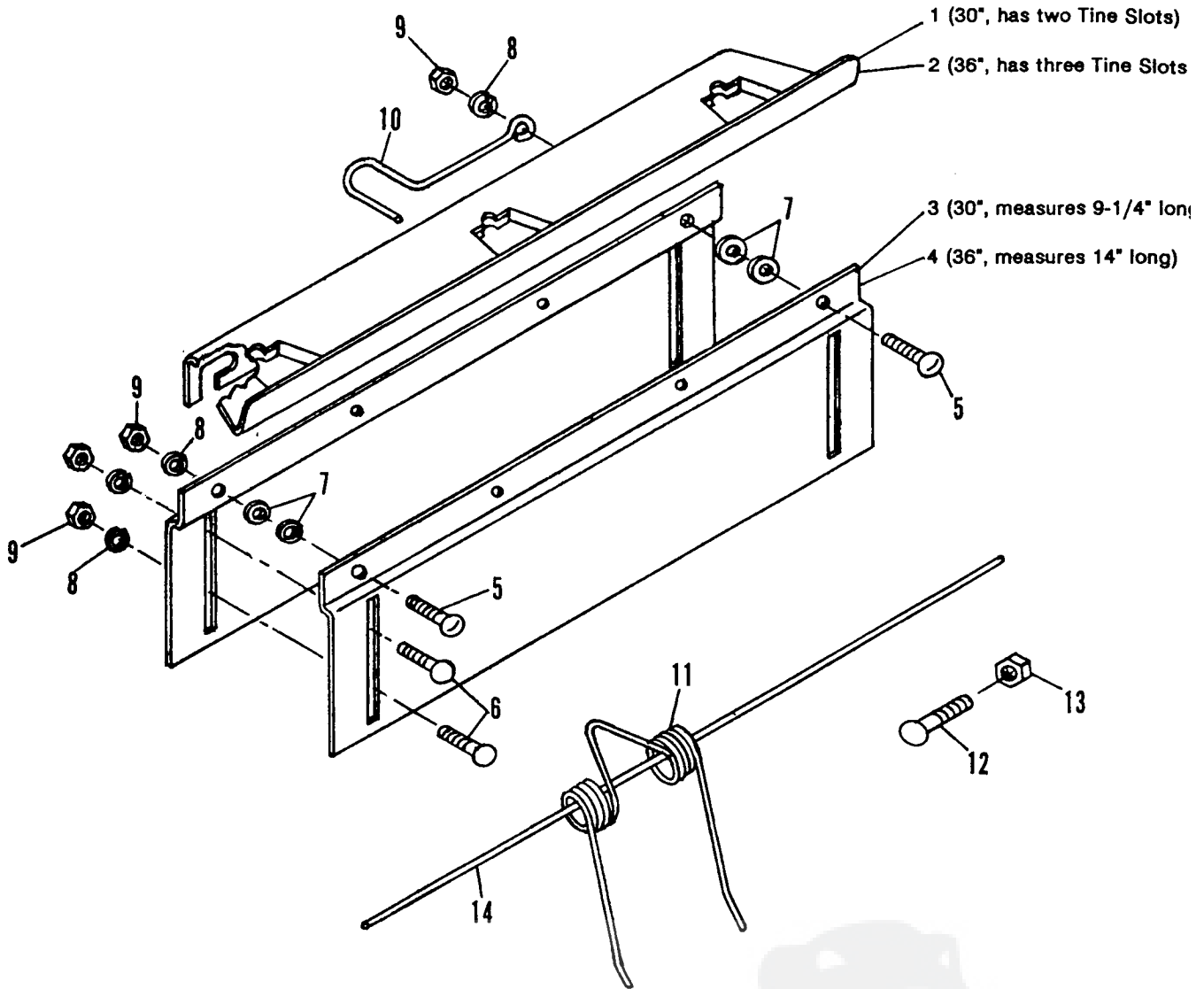
WE MAKE NO OTHER EXPRESS WARRANTY NOR IS ANYONE AUTHORIZED TO MAKE ANY ON OUR BEHALF. ANY IMPLIED OR STATUTORY WARRANTIES, INCLUDING ANY WARRANTY OF MERCHANTABILITY OR FITNESS FOR A PARTICULAR PURPOSE, ARE LIMITED TO THE DURATION OF THIS WRITTEN WARRANTY. WE SHALL NOT BE LIABLE FOR CONSEQUENTIAL OR INCIDENTAL DAMAGES OF ANY KIND.

BRINLY-HARDY COMPANY (502) 585-3351

MADE IN U.S.A.

THATCHER KIT - DK-30 & DK-36

9-94



PARTS LIST

DK-30 - 30" UNIT, & DK - 36 - 36" UNIT

REF. NO.	PART NO.	DESCRIPTION	QUANTITY
1	R-1872-10	Tine Support, 30" (two Slots)	2
or	or	or	
2	R-1885-10	Tine Support, 36" (three Slots)	2
3	R-1881-10	Tine Support Holder, 30" (9-1/4" Long)	4
or	or	or	
4	R-1886-10	Tine Support Holder, 36" (14" Long)	4
5	20M0816P	Machine Screw, 1/4"x1"	4
6	10M0816P	Carriage Bolt, 1/4"x1"	8
7	R-1884	Spacer Washer, 1/4"	8
8	40M0800P	Lock Washer, 1/4"	12
9	30M0800P	Hex Nut, 1/4"	12
10	R-1894	Hook Spring	2
11	R-628	Tine	4 (30" Unit)
or	or	or	or
11	R-628	Tine	6 (36"Unit)
12	10M1020P	Carriage Bolt, 5/16"x1-1/4"	1
13	B-1674P	Hex Lock Nut, 5/16"	1
14	R-1901	Safety Wire	2
15	L-1550	Owner's Manual	1