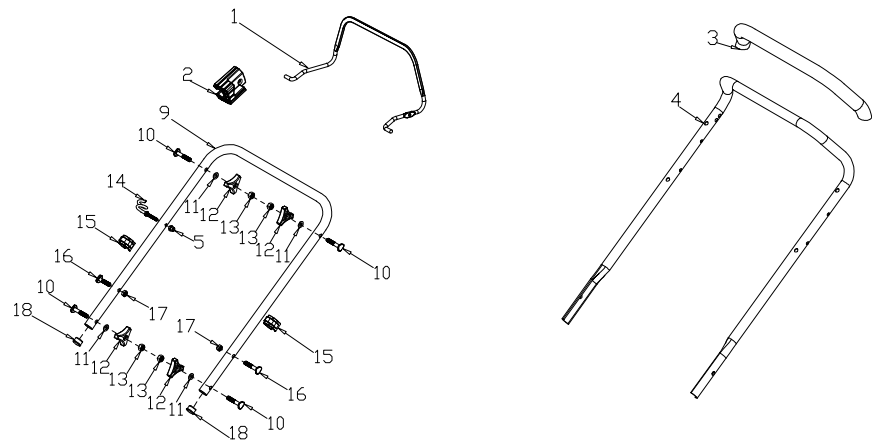
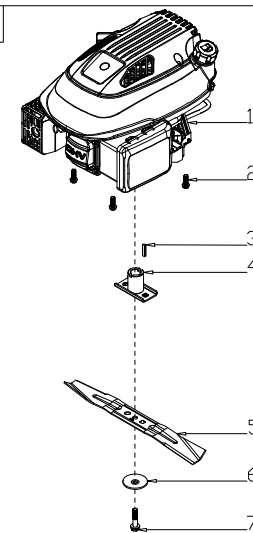


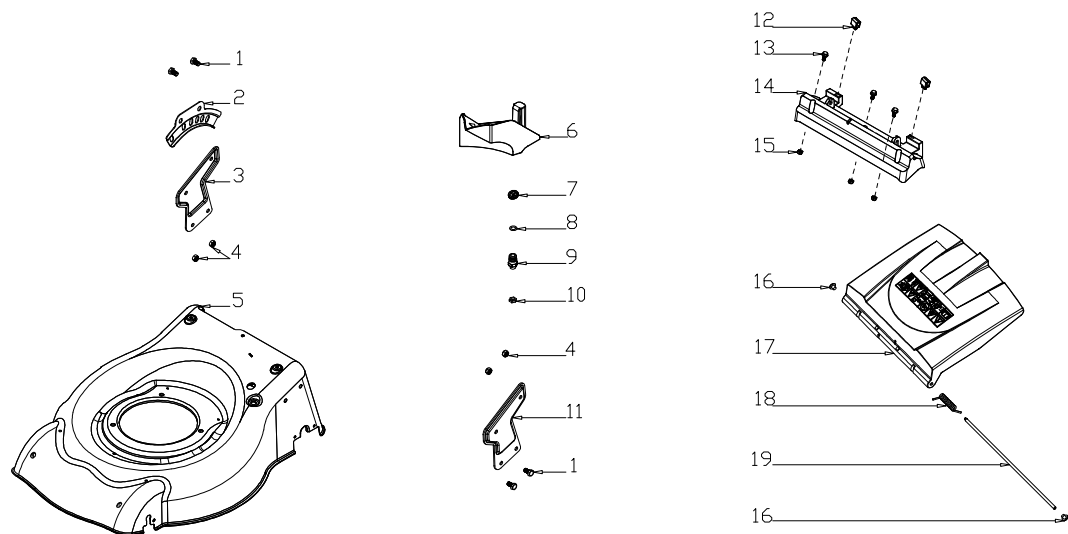
A



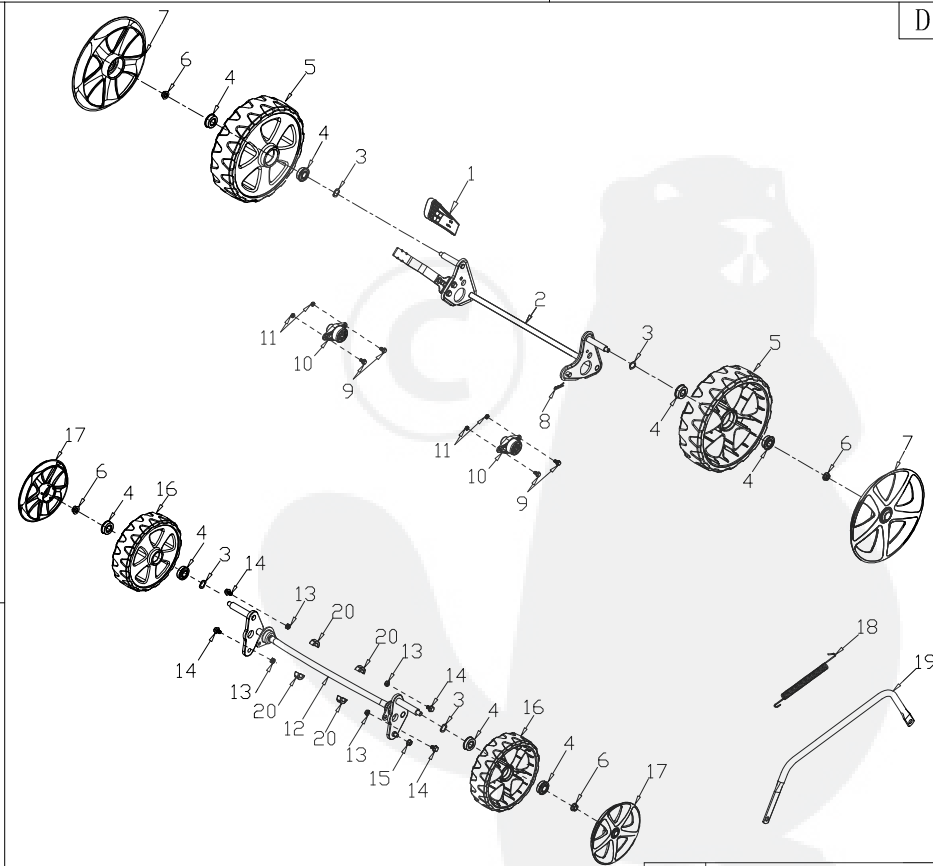
B



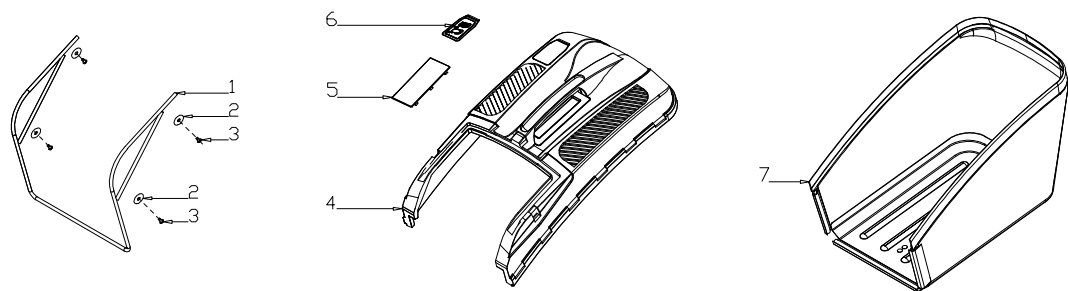
C



D



E



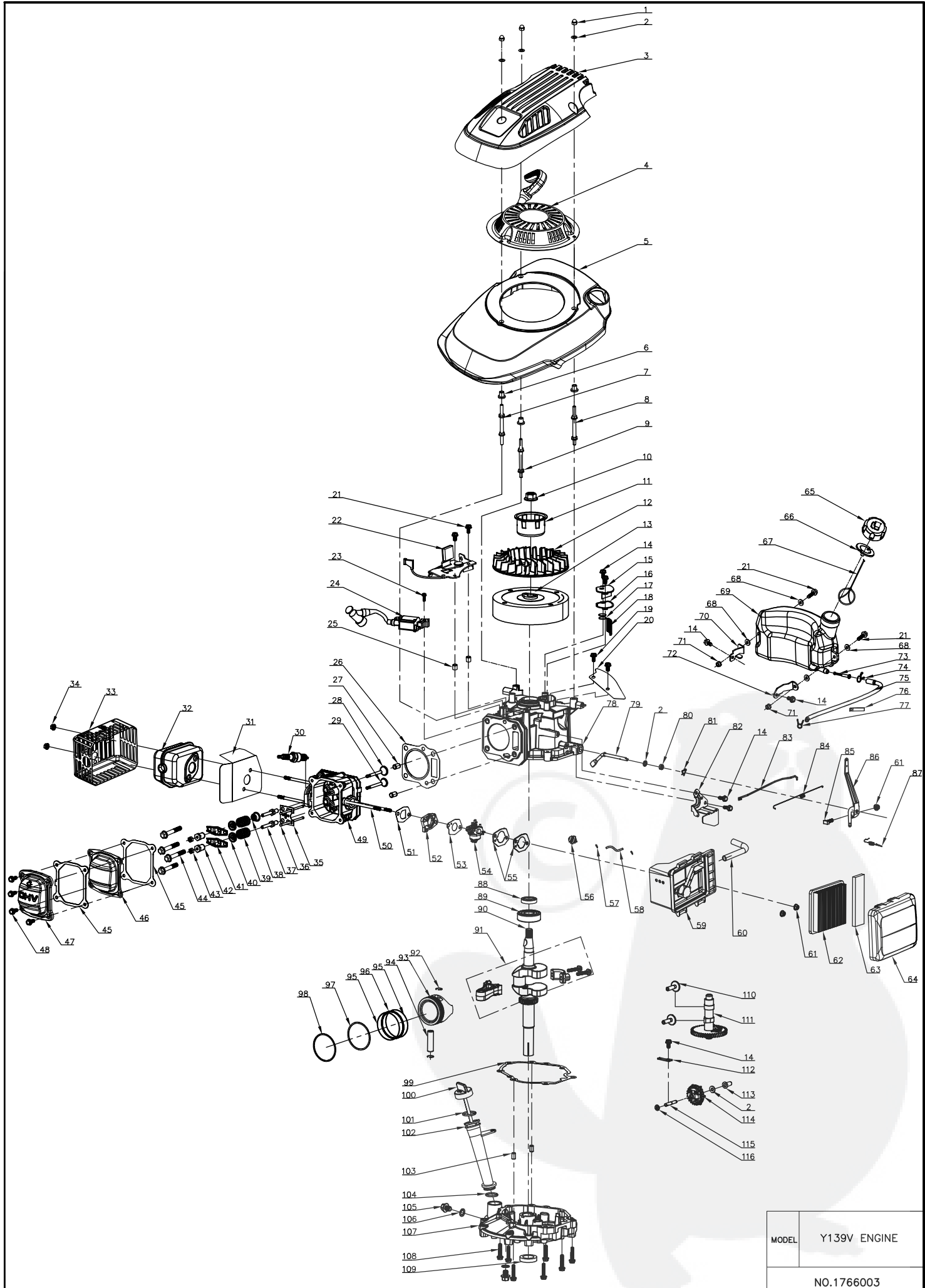
|            |        |
|------------|--------|
| MODEL      | G46P-B |
| NO.1766003 |        |

| os.no | Part no.      | Description                 | Qty |
|-------|---------------|-----------------------------|-----|
| A     | <b>Part A</b> |                             |     |
| A-1   | G3353000056   | Clutch Lever                | 1   |
| A-2   | G3XW0000000   | Limiting Stopper            | 1   |
| A-3   | G3320000000   | Foam Pipe                   | 1   |
| A-4   | G333F000056   | Upper Handle                | 1   |
| A-5   | B2011B00000   | Nut                         | 2   |
| A-6   | G339X300000   | Cable Fixing Clamp          | 1   |
| A-7   | G339XX60000   | Brake Cable                 | 1   |
| A-8   | B1066W06032   | Nut                         | 1   |
| A-9   | G33B4000056   | Lower Handle                | 1   |
| A-10  | B1088W08050   | Bolt                        | 4   |
| A-11  | B5019W00000   | Flat Washer                 | 4   |
| A-12  | G33C1100073   | Knob                        | 4   |
| A-13  | B2020W00000   | Nut                         | 4   |
| A-14  | G33K0000000   | Rope Guide                  | 1   |
| A-15  | G33H2000000   | Cable Support               | 1   |
| A-16  | B1087W08032   | Bolt                        | 2   |
| A-17  | B2009W00000   | Nut                         | 2   |
| A-18  | G33J0000000   | Handle Plug                 | 2   |
| B     | <b>Part B</b> |                             |     |
| B-1   | Y2P50000056   | Engine                      | 1   |
| B-2   | B1077W08025   | Nut                         | 3   |
| B-3   | BE001W00000   | Flat Key                    | 1   |
| B-4   | G353XX00000   | Blade adapter               | 1   |
| B-5   | G3510000000   | 18" Blade                   | 1   |
| B-6   | G3520000000   | Blade Washer                | 1   |
| B-7   | B1001B00000   | Blade Bolt                  | 1   |
| C     | <b>Part C</b> |                             |     |
| C-1   | B1036W08015   | Bolt                        | 4   |
| C-2   | G34BC000000   | Height Adjustment Plate     | 1   |
| C-3   | G32B0000000   | Right Bracket               | 1   |
| C-4   | B2009W00000   | Nut                         | 4   |
| C-5   | G3210Y00056   | Deck                        | 1   |
| C-6   | G36M0000000   | Mulching Plug               | 1   |
| C-7   | G32E0000000   | Cable Sleeve                | 1   |
| C-8   | BD001B00000   | Seal Ring                   | 1   |
| C-9   | G32D0000100   | Washing Linker              | 1   |
| C-10  | B2025B00000   | Plastic Nut                 | 1   |
| C-11  | G32C0000000   | Left Bracket                | 1   |
| C-12  | G32J0000000   | Rear Cover Support          | 2   |
| C-13  | B1059W06014   | Nut                         | 3   |
| C-14  | G32A0000000   | Rear Cover Pedestal         | 1   |
| C-15  | B2008W00000   | Nut                         | 3   |
| C-16  | G32K0000000   | Plug                        | 2   |
| C-17  | G36B0000010   | Rear Cover                  | 1   |
| C-18  | G36J0000000   | Rear Cover Spring           | 1   |
| C-19  | G36E0000000   | Rear Cover Shaft            | 1   |
| D     | <b>Part D</b> |                             |     |
| D-1   | G3431000019   | Height Adjustment Handle    | 1   |
| D-2   | G3490000100   | Rear Wheel Shaft Assy       | 1   |
| D-3   | B6009B00000   | Spring Washer               | 4   |
| D-4   | B0019W00000   | Ball Bearing                | 4   |
| D-5   | G34H0000000   | 8" Wheel Assy with Bearings | 2   |
| D-6   | B2017W00000   | Nut                         | 4   |



| os.no | Part no.      | Description                     | Qty |
|-------|---------------|---------------------------------|-----|
| D-7   | G34T0000019   | 8" Outer Wheel Cover            | 2   |
| D-8   | BB004W00000   | Split Pin                       | 1   |
| D-9   | B1053W05012   | Nut                             | 4   |
| D-10  | G34DP0000000  | Precursor axle                  | 2   |
| D-11  | B2007W00000   | Nut                             | 4   |
| D-12  | G3451Y00000   | Front Wheel Shaft               | 1   |
| D-13  | B2008W00000   | Nut                             | 4   |
| D-14  | B1058W06012   | Nut                             | 4   |
| D-15  | B2016W00000   | Nut                             | 1   |
| D-16  | G24F0000000   | 7" Wheel                        | 2   |
| D-17  | G24R2000019   | 7" Wheel Cover                  | 2   |
| D-18  | G34AX100000   | Height Adjustment Spring        | 1   |
| D-19  | G3410000000   | Height Adjustment Connecting Ro | 1   |
| D-20  | G349X000000   | Precursor axle                  | 4   |
| E     | <b>Part E</b> |                                 |     |
| E-1   | G3661200000   | Metal Bracket                   | 1   |
| E-2   | B5032W00000   | Flat Washer                     | 4   |
| E-3   | B3022W00000   | Screw                           | 4   |
| E-4   | G3661110010   | Plastic Cover                   | 1   |
| E-5   | G3661120010   | Cover Plate                     | 1   |
| E-6   | G3641130019   | Indicated Board                 | 1   |
| E-7   | G1700100000   | Fabric Bag                      | 1   |





|            |              |
|------------|--------------|
| MODEL      | Y139V ENGINE |
| NO.1766003 |              |

| Pos no | Part No.     | Description                      | Qty |
|--------|--------------|----------------------------------|-----|
| 1      | B2002B00000  | Nut M6                           | 3   |
| 2      | B5027B00000  | Gasket $\phi$ 6.5X $\phi$ 15X0.5 | 4   |
| 3      | Y2A10000056  | Engine Cover                     | 1   |
| 4      | Y2A20000000  | Recoil Start Assy                | 1   |
| 5      | Y2A30000000  | Blower Housing                   | 1   |
| 6      | Y2A40000000  | Bush                             | 3   |
| 7      | Y2A70000000  | Bolt I                           | 1   |
| 8      | Y2A80000000  | Bolt II                          | 1   |
| 9      | Y2A90000000  | Bolt III                         | 1   |
| 10     | B2015W00000  | Nut M14X1.5                      | 1   |
| 11     | Y2A50000000  | Start-up Hub                     | 1   |
| 12     | Y2A60000000  | Fan                              | 1   |
| 13     | Y2B10000000  | Flywheel                         | 1   |
| 14     | B1058W06012  | Bolt M6*12                       | 7   |
| 15     | Y2250000000  | Respirator Cover Plate           | 1   |
| 16     | Y2240000000  | Gasket of Respirator Cover       | 1   |
| 17     | Y2230000000  | Valve Element                    | 2   |
| 18     | Y2220000000  | Lubricate Filtering Net          | 1   |
| 19     | B1057W06010  | Bolt M6X10                       | 2   |
| 20     | Y2AA00000000 | Back plate                       | 1   |
| 21     | B1063W06022  | Bolt M6X22                       | 4   |
| 22     | Y2710000100  | Brake Assy                       | 1   |
| 23     | B1064W06025  | Bolt M6X25                       | 1   |
| 24     | Y2B20000000  | Ignition                         | 1   |
| 25     | Y27X00000000 | Bush                             | 2   |
| 26     | Y2120000000  | Gasket of Cylinder Head Cove     | 1   |
| 27     | Y2260000000  | Locating Pin                     | 2   |
| 28     | Y2520000000  | Inlet valve                      | 1   |
| 29     | Y2530000000  | Outlet valve                     | 1   |
| 30     | Y2B30000000  | Spark Plug                       | 1   |
| 31     | Y2930000000  | Gasket of Muffler                | 1   |
| 32     | Y2910000000  | Muffler Assy                     | 1   |
| 33     | Y2920000000  | Muffler Cover Assy               | 1   |
| 34     | B2016W00000  | Locknut M6                       | 2   |
| 35     | Y25E0000000  | Handspike Assy                   | 1   |
| 36     | Y25C0000000  | Guide Board of Handspike         | 2   |
| 37     | Y2580000000  | Rocker Support Bolt of Valve     | 2   |
| 38     | BC011H00000  | Oil Seal of valve                | 1   |
| 39     | Y2540000000  | Spring of Valve                  | 2   |
| 40     | Y2550000000  | Spring Coil of outlet Valve      | 2   |
| 41     | Y2570000000  | Rocker of Valve                  | 2   |
| 42     | Y2590000000  | Adjust Nut of Valve              | 2   |
| 43     | Y25A0000000  | Combined Nut                     | 2   |
| 44     | B1044W08045  | Bolt M8*45                       | 4   |
| 45     | Y2130000000  | Gasket of Cylinder Head Cove     | 2   |
| 46     | Y2140000000  | Cylinder Head Inner Cover        | 1   |
| 47     | Y2150000000  | Cylinder Head Outer Cover        | 1   |
| 48     | B1059W06014  | Bolt M6X14                       | 4   |



| Pos no | Part No.    | Description                                     | Qty |
|--------|-------------|---|-----|
| 49     | Y2111000000 | Cylinder Head Assy                              | 1   |
| 50     | B4003W06092 | Bolt  | 4   |
| 51     | Y2810000000 | Paper Gasket of Inlet Pipe                      | 1   |
| 52     | Y2820000000 | Air Inlet Pipe                                  | 1   |
| 53     | Y2830000000 | Paper Gasket of Carburetor                      | 1   |
| 54     | Y2850000000 | Carburetor Assy                                 | 1   |
| 55     | Y2840000000 | Paper Gasket of Air Filter                      | 2   |
| 56     | Y28P0000050 | Primer  | 1   |
| 57     | Y28R0000000 | Pipe Circlip                                    | 2   |
| 58     | Y28Q0000000 | Pipe  | 1   |
| 59     | Y2870000000 | Air Filter Pedestal                             | 1   |
| 60     | Y28A0000000 | Exhaust Pipe $\phi 8 \times \phi 12 \times 165$ | 1   |
| 61     | B2012W00000 | Nut M6  | 3   |
| 62     | Y2880000000 | Paper Filter Element                            | 1   |
| 63     | Y28C0000000 | Filter Element                                  | 1   |
| 64     | Y2860000000 | Air Filter Upper Cover                          | 1   |
| 65     | Y28H0000000 | Fuel Tank Cap                                   | 1   |
| 66     | Y28F0000000 | Seal Gasket of Fuel Tank Cap                    | 1   |
| 67     | Y28T0000000 | Connecting Rope                                 | 1   |
| 68     | Y28S0000000 | Gasket  | 4   |
| 69     | Y28D0000000 | Fuel Tank                                       | 1   |
| 70     | Y28N0000000 | Right Bracket of Fuel Tank                      | 1   |
| 71     | B2008W00000 | Locknut M6                                      | 2   |
| 72     | Y28M0000000 | Left Bracket of Fuel Tank                       | 1   |
| 73     | Y28E0000000 | Filtering Net Duct of Fuel                      | 1   |
| 74     | Y28K0000000 | Oil Pipe Circlip I                              | 1   |
| 75     | Y28J0000000 | Oil Pipe  | 1   |
| 76     | Y28U0000000 | Oil Pipe Fixing Clip                            | 1   |
| 77     | Y28L0000000 | Oil Pipe Circlip II                             | 1   |
| 78     | Y2210000000 | Crankcase Assy                                  | 1   |
| 79     | Y2660000000 | Speed Regulator Rocker Spind                    | 1   |
| 80     | BC006B00000 | Oil Seal 6*11*4                                 | 1   |
| 81     | Y2670000000 | Springness Split Pin                            | 1   |
| 82     | Y2690000000 | plate   | 1   |
| 83     | Y26B0000000 | Handspike of Valve                              | 1   |
| 84     | Y26C0000000 | Spring of Valve                                 | 1   |
| 85     | B1085W06023 | "T" type Bolt M6*23                             | 1   |
| 86     | Y2680000000 | Speed Regulator Rocker                          | 1   |
| 87     | Y26A0000000 | Speed Regulator Vice Spring                     | 1   |
| 88     | BC003B00000 | Oil Seal 22×35×7                                | 1   |
| 89     | B0008W00000 | Ball bearing                                    | 1   |
| 90     | Y2410000100 | Crankshaft Assy                                 | 1   |
| 91     | Y2470000000 | Connecting Rod Assy                             | 1   |
| 92     | Y2490000000 | Circlip of Piston Pin                           | 2   |
| 93     | Y2420000000 | Piston Assy                                     | 1   |
| 94     | Y2480000000 | Piston Pin                                      | 1   |
| 95     | Y2450000000 | Scraper Ring                                    | 2   |
| 96     | Y2460000000 | Bushing Ring                                    | 1   |
| 97     | Y2440000000 | Piston Ring II                                  | 1   |



| Pos no | Part No.    | Description                                    | Qty |
|--------|-------------|--|-----|
| 98     | Y2430000000 | Piston Ring I                                  | 1   |
| 99     | Y2350000000 | Gasket of Crankcase                            | 1   |
| 100    | Y233ZC00000 | Lubricating Gauge                              | 1   |
| 101    | BD006B00000 | Seal Ring                                      | 1   |
| 102    | Y2320000000 | Lubricating Pipe Assy                          | 1   |
| 103    | Y2360000000 | Locating Pin of Crankcase                      | 2   |
| 104    | BD004H00000 | "O" Ring $\phi 21 \times \phi 2.3$             | 1   |
| 105    | B1016W10012 | Draining Oil Bolt                              | 2   |
| 106    | B5021W00000 | Draining Oil Bolt Gasket                       | 2   |
| 107    | Y2310000000 | Crankcase Cover                                | 1   |
| 108    | B1065W06030 | Bolt M6X30                                     | 7   |
| 109    | BC004B00000 | Oil Seal 25×38×7                               | 1   |
| 110    | Y25B0000000 | Tappet   | 2   |
| 111    | Y2510000000 | Camshaft Assy                                  | 1   |
| 112    | Y2650000000 | Gear Shaft Hold-down Plate                     | 1   |
| 113    | Y2640000000 | Sliding Sleeve                                 | 1   |
| 114    | Y2610000000 | Gear Shaft Assy                                | 1   |
| 115    | Y2620000000 | Circlip of Gear shaft                          | 1   |
| 116    | B5026W00000 | Gasket $\phi 6.5 \times \phi 12 \times \phi 1$ | 1   |

