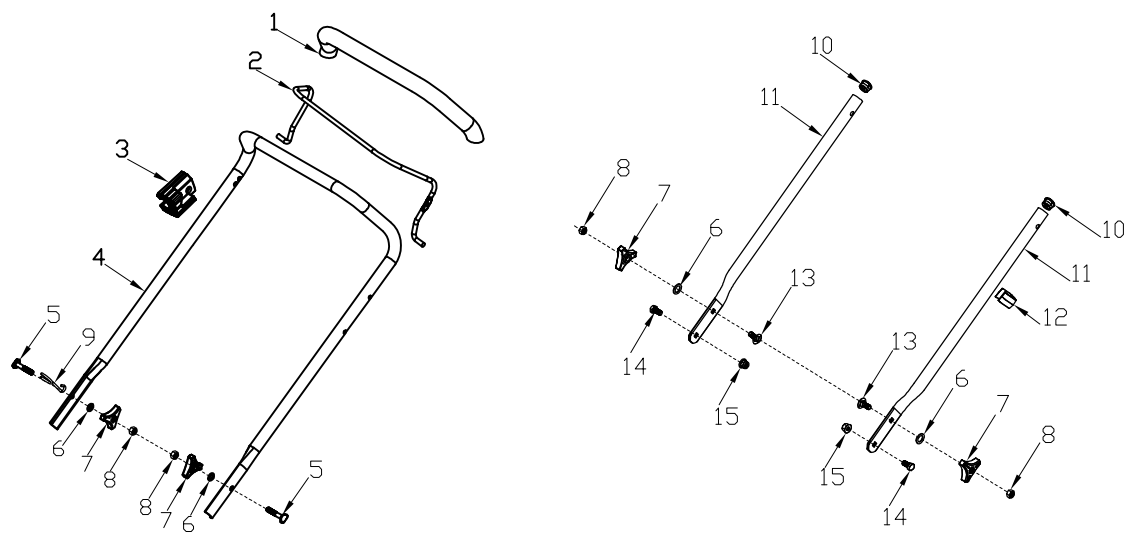
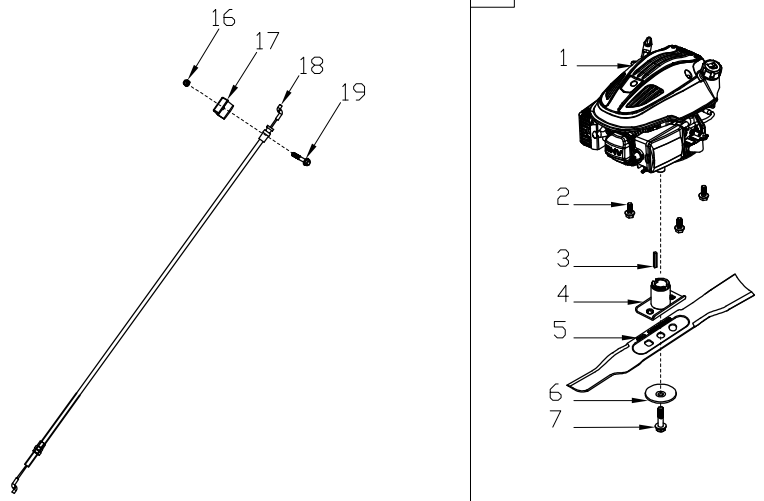


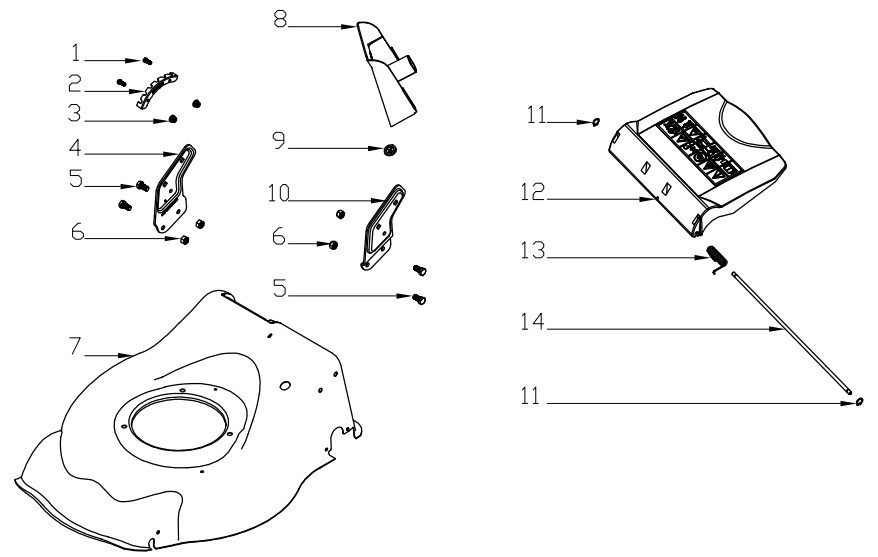
A



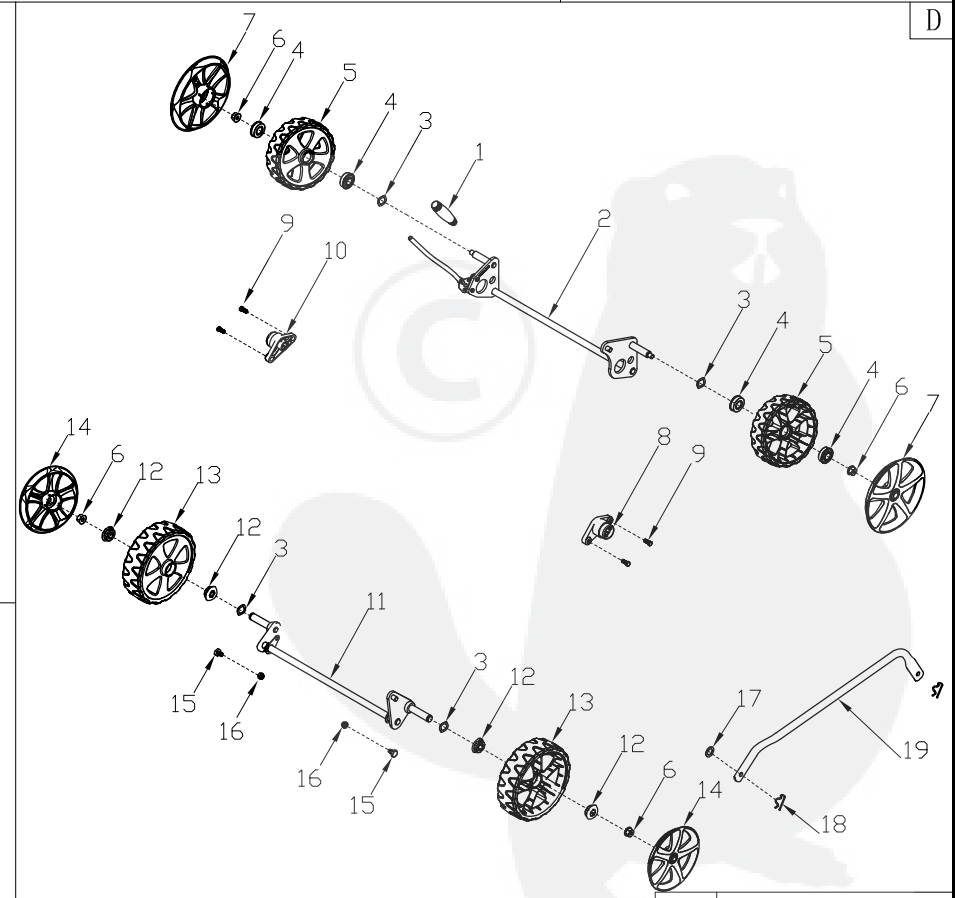
B



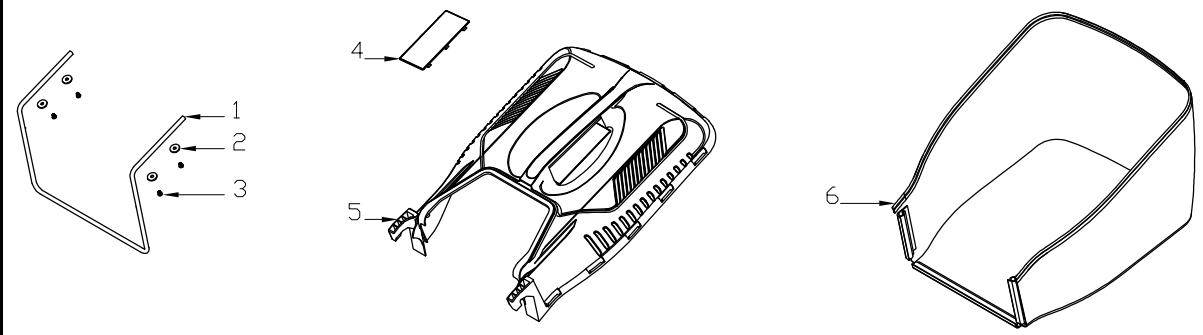
C



D



E

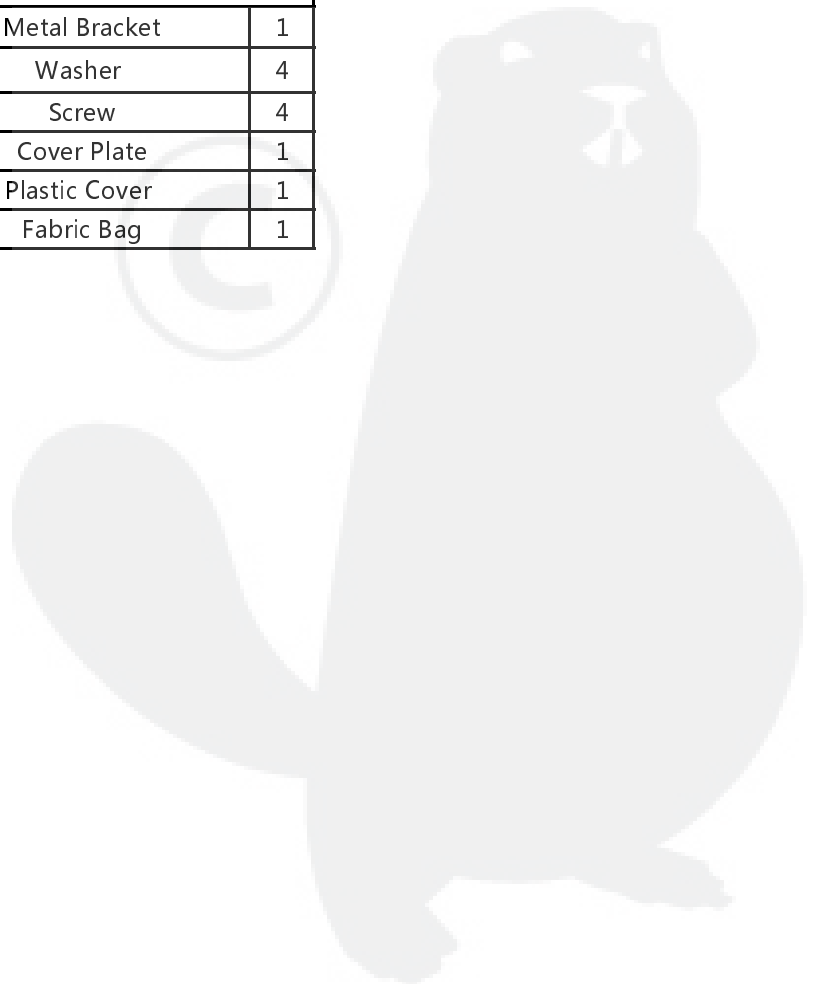


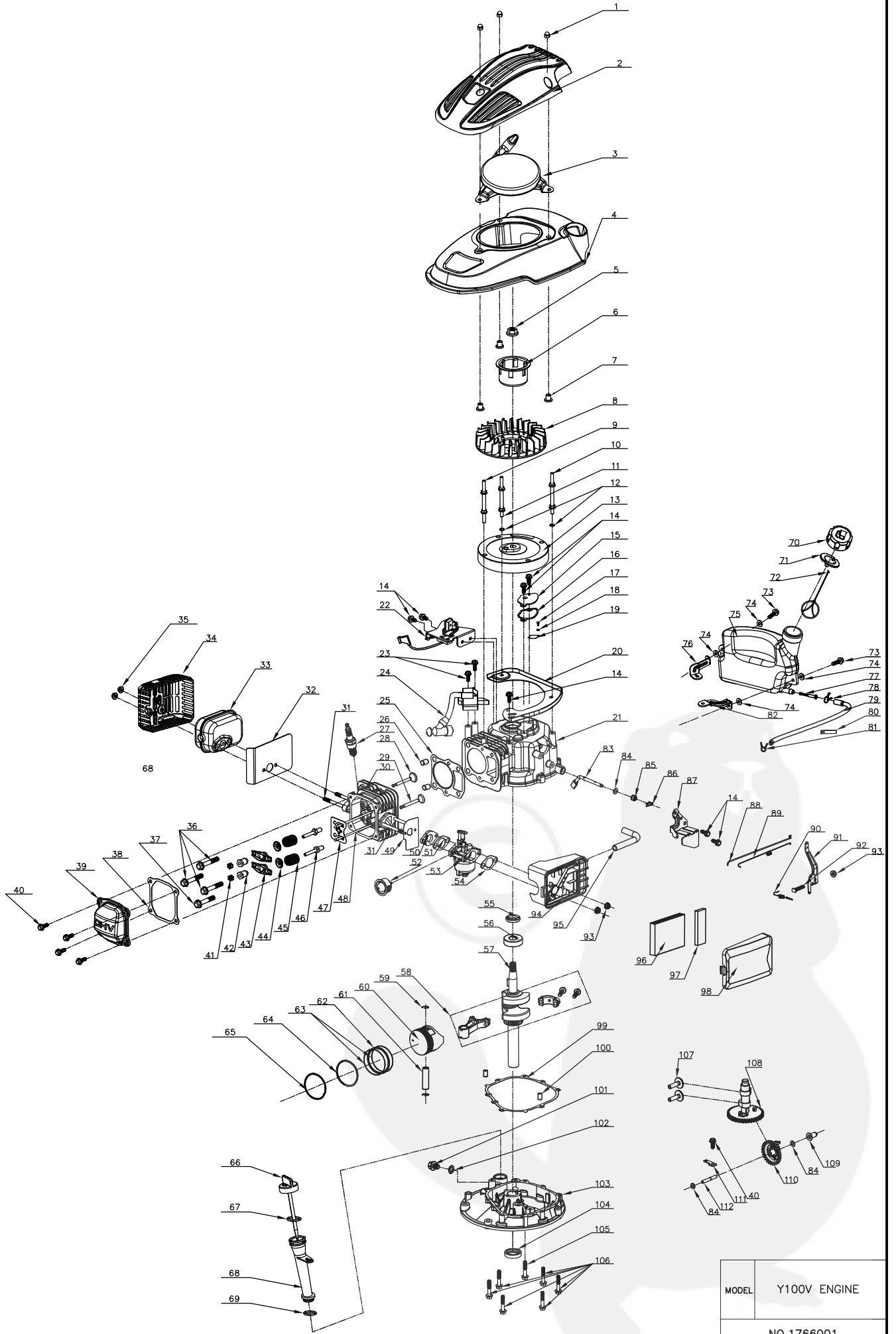
MODEL	G42P-A
NO.1766001	

Pos.no	Part no.	Description	Qty
A	Part A		
A-1	G2320000000	Foam Pipe	1
A-2	G3353000056	Brake Lever	1
A-3	G3XW0000000	Limiting Stopper	1
A-4	G333F000056	Upper Handle	1
A-5	B1088W08050	Bolt	2
A-6	B5019W00000	Flat Washer	4
A-7	G33C1100073	Knob	4
A-8	B2020W00000	Nut	4
A-9	G23K0000000	Rope Guide	1
A-10	G23J0000000	Handle Plug	2
A-11	G23B0000056	Lower Handle	2
A-12	G33H2000000	Cable Support	1
A-13	B1010W08025	Bolt	2
A-14	B1036W08015	Bolt	2
A-15	B2009W00000	Nut	2
A-16	B2011W00000	Nut	1
A-17	G339X300000	Cable Fixing Clamp	1
A-18	G239XX00500	Brake Cable	1
A-19	B1066B06032	Bolt	1
B	Part B		
B-1	Y1300000056	Engine	1
B-2	B1077W08025	Bolt	3
B-3	BE001W00000	Flat Key	1
B-4	G353XX00000	Blade adapter	1
B-5	G2510000000	17" Blade	1
B-6	G3520000000	Blade Washer	1
B-7	B1001B00032	Blade Bolt	1
C	Part C		
C-1	B1057W06010	Bolt	2
C-2	G24BC000000	Height Adjustment Plate	1
C-3	B2008W00000	Nut	2
C-4	G22C0000000	Right Bracket	1
C-5	B1036W08015	Bolt	4
C-6	B2009W00000	Nut	4
C-7	G22100X0056	Deck	1
C-8	G26L0000000	Mulching Plug	1
C-9	G32E0000000	Cable Sleeve	1
C-10	G22B0000000	Left Bracket	1
C-11	B9011B00000	Lock Ring	2
C-12	G26A0000010	Rear Cover	1
C-13	G26H0000000	Rear Cover Spring	1



Pos.no	Part no.	Description	Qty
C-14	G26D0000000	Rear Cover Shaft	1
D	Part D		
D-1	G2440000019	Height Adjustment Handle	1
D-2	G2490000100	Rear Wheel Shaft Assy	1
D-3	B6009B00000	Spring Washer	4
D-4	G24BH000000	Shaft Sleeve	4
D-5	G24F0000000	7" Wheel	2
D-6	B2017W00000	Nut	4
D-7	G24R2000019	7" Wheel Cover	2
D-8	G24DP000000	Shaft Sleeve	1
D-9	B1053W05012	Bolt	4
D-10	G24D1P00000	Shaft Sleeve	1
D-11	G245X000000	Front Wheel Shaft	1
D-12	G24BG000000	Precursor axle	4
D-13	G24E0000000	6" Wheel	2
D-14	G24P0000019	6" Outer Wheel Cover	2
D-15	B1058W06012	Bolt	2
D-16	B2008W00000	Nut	2
D-17	B5019W00000	Flat Washer	1
D-18	BB004W00000	Split Pin	2
D-19	G2410000000	Height Adjustment Connecting F	1
E	Part E		
E-1	G2641200000	Metal Bracket	1
E-2	B5032W00000	Washer	4
E-3	B3033W00000	Screw	4
E-4	G2661120010	Cover Plate	1
E-5	G2641110010	Plastic Cover	1
E-6	G1700000000	Fabric Bag	1





MODEL	Y100V ENGINE
NO.1766001	

Pos no	Part No.	Description	Qty
1	B2002B00000	Nut M6	3
2	Y1A10000056	Engine Cover (Black color)	1
3	Y1A20000100	Recoil Start Assy	1
4	Y1A30000010	Blower Housing	1
5	B2014W00000	Nut	1
6	Y1A50000000	Start-up Hub	1
7	Y1A40000000	Bush	3
8	Y1A60000000	Fan	1
9	Y1A70000000	Bolt I	1
10	Y1A80000000	Bolt II	1
11	Y1A90000000	Bolt III	1
12	B6005W00000	Spring washer	2
13	Y1B10000000	Flywheel	1
14	B1057W06010	Bolt M6*10	7
15	Y1250000000	Respirator Cover Plate	1
16	Y2240000000	Gasket of Respirator Cover	1
17	B3011W00000	Nut	1
18	B6002B00000	Spring washer	1
19	Y1230000000	Valve Element	1
20	Y1AA0000000	Plate	1
21	Y1210000000	Crankcase Assy	1
22	Y1710000000	Brake Assy	1
23	B1064W06025	Bolt M6X25	2
24	Y1B20000000	Ignition	1
25	Y1120000000	Gasket of Cylinder Head	1
26	Y2260000000	Locating Pin	2
27	Y2B30000000	Spark Plug	1
28	Y2520000000	Inlet valve	1
29	Y2530000000	Outlet valve	1
30	Y1110000000	Cylinder Head Assy	1
31	B4001W06078	Two Stud Bolt M6*78	4
32	Y1930000000	Gasket of Muffler	1
33	Y1910000000	Muffler Assy	1
34	Y1920000000	Muffler Cover Assy	1
35	B2016W00000	Locknut M6	2
36	B1044W08045	Bolt M8*45	3
37	B1043W08040	Bolt M8X40	1
38	Y1130000000	Gasket of Cylinder Head Cover	1
39	Y1150000000	Cylinder Head Outer Cover	1
40	B1058W06012	Bolt M6*10	5
41	Y25A0000000	Combined Nut	2
42	Y2590000000	Adjust Nut of Valve	2
43	Y1570000000	Rocker of Valve	2
44	Y2550000000	Spring Coil of outlet Valve	2
45	Y1540000000	Spring of Valve	2
46	Y2580000000	Rocker Support Bolt of Valve	2
47	Y15E0000000	Handspike Assy	1
48	Y15C0000000	Guide Board of Handspike	2
49	Y1810000000	Paper Gasket of Inlet Pipe	1
50	Y1820000000	Air Inlet Pipe	1
51	Y1830000000	Paper Gasket of Carburetor	1
52	Y18P0000050	Primer	1



Pos no	Part No.	Description	Qty
53	Y1850000000	Carburetor Assy	1
54	Y1840000000	Paper Gasket of Air Filter	1
55	BC002B00000	Oil Seal 6*11*4	1
56	B0005W00000	Ball bearing	1
57	Y1410000000	Crankshaft Assy	1
58	Y1470000000	Connecting Rod Assy	1
59	Y1490000000	Circlip of Piston Pin	2
60	Y1420000000	Piston Assy	1
61	Y1480000000	Piston Pin	1
62	Y1460000000	Bushing Ring	1
63	Y1450000000	Scraper Ring	2
64	Y1440000000	Piston Ring II	1
65	Y1430000000	Piston Ring I	1
66	Y1331100000	Lubricating Gauge	1
67	BD006B00000	O Ring	1
68	Y1320000000	Lubricating Pipe	1
69	BD002H00000	"O" Ring $\phi 17.2 \times \phi 2.4$	1
70	Y28H0000000	Fuel Tank Cap	1
71	Y28F0000000	Seal Gasket of Fuel Tank Cap	1
72	Y28T0000000	Connecting Rope	1
73	B1063W06022	BoltM 6X22	2
74	Y28S0000000	Gasket	4
75	Y18D0000000	Fuel Tank	1
76	Y18NX0000000	Right Bracket of Fuel Tank	1
77	Y28E0000000	Filtering Net Duct of Fuel	1
78	Y28K0000000	Oil Pipe Circlip I	1
79	Y18J0000000	Oil Pipe	1
80	Y28U0000000	Oil Pipe Fixing Clip	1
81	Y28L0000000	Oil Pipe Circlip II	1
82	Y18MX0000000	Left Bracket of Fuel Tank	1
83	Y1660000000	Speed Regulator Rocker Spindle	1
84	B5027B00000	"O" Ring $\phi 6.5 \times \phi 15 \times 0.5$	6
85	BC006B00000	Oil Seal 6*11*4	1
86	Y2670000000	Springness Split Pin	1
87	Y2690000000	plate	1
88	Y16B0000000	Handspike of Valve	1
89	Y26C0000000	Spring of Valve	1
90	Y16A0000000	Speed Regulator Vice Spring	1
91	Y1680000000	Speed Regulator Rocker	1
92	B1085W06023	"T" type Bolt M6*23	1
93	B2012W00000	Nut	3
94	Y1870000000	Air Filter Pedestal	1
95	Y18A0000000	Exhaust Pipe $\phi 8 \times \phi 12 \times 130$	1
96	Y1880000000	Foam Filter Element	1
97	Y18C0000000	Filter Element	1
98	Y1860000000	Air Filter Upper Cover	1
99	Y1350000000	Gasket of Crankcase	1
100	Y2360000000	Locating Pin of Crankcase	2
101	B1016W10012	Draining Oil Bolt	1
102	B5021W00000	Draining Oil Bolt Gasket	1
103	Y1310000000	Crankcase Cover	1
104	BC003B00000	Oil Seal 22×35×7	1



Pos no	Part No.	Description	Qty
105	B1047W06040	Bolt M6X40	1
106	B1066W06033	Bolt M6*33	6
107	Y25B0000000	Tappet	2
108	Y1510000000	Camshaft Assy	1
109	Y2640000000	Sliding Sleeve	1
110	Y1610000000	Gear Shaft Assy	1
111	Y1650000000	Gear Shaft Hold-down Plate	1
112	Y1620000000	Circlip of Gear shaft	1

