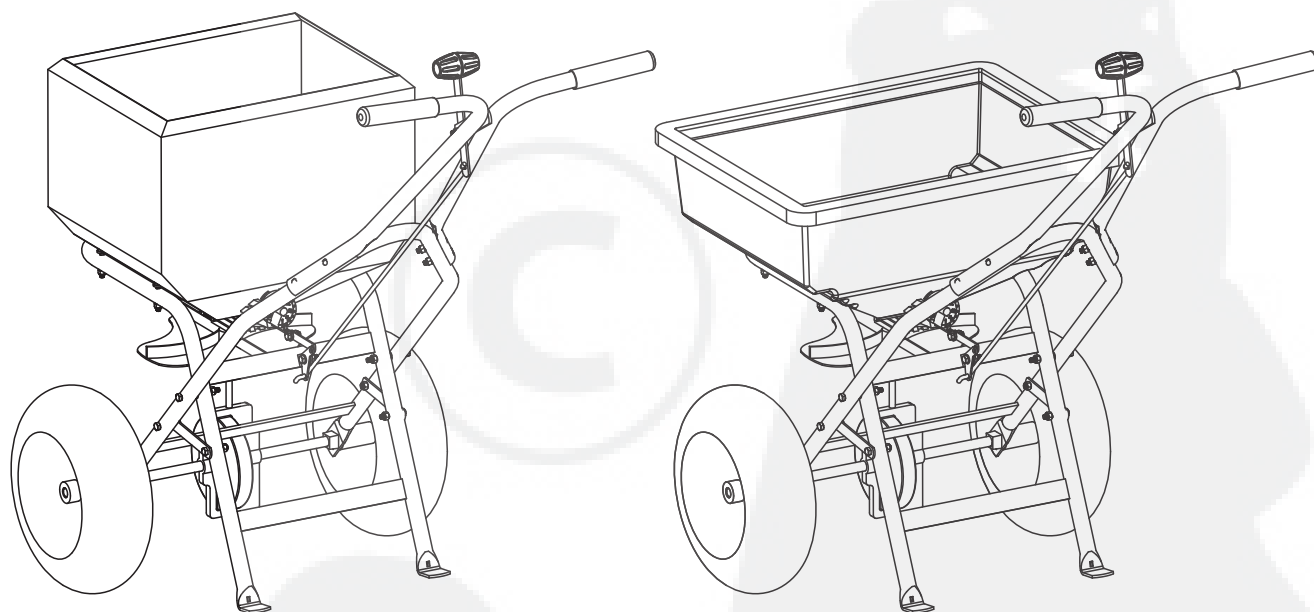




Operator's Manual

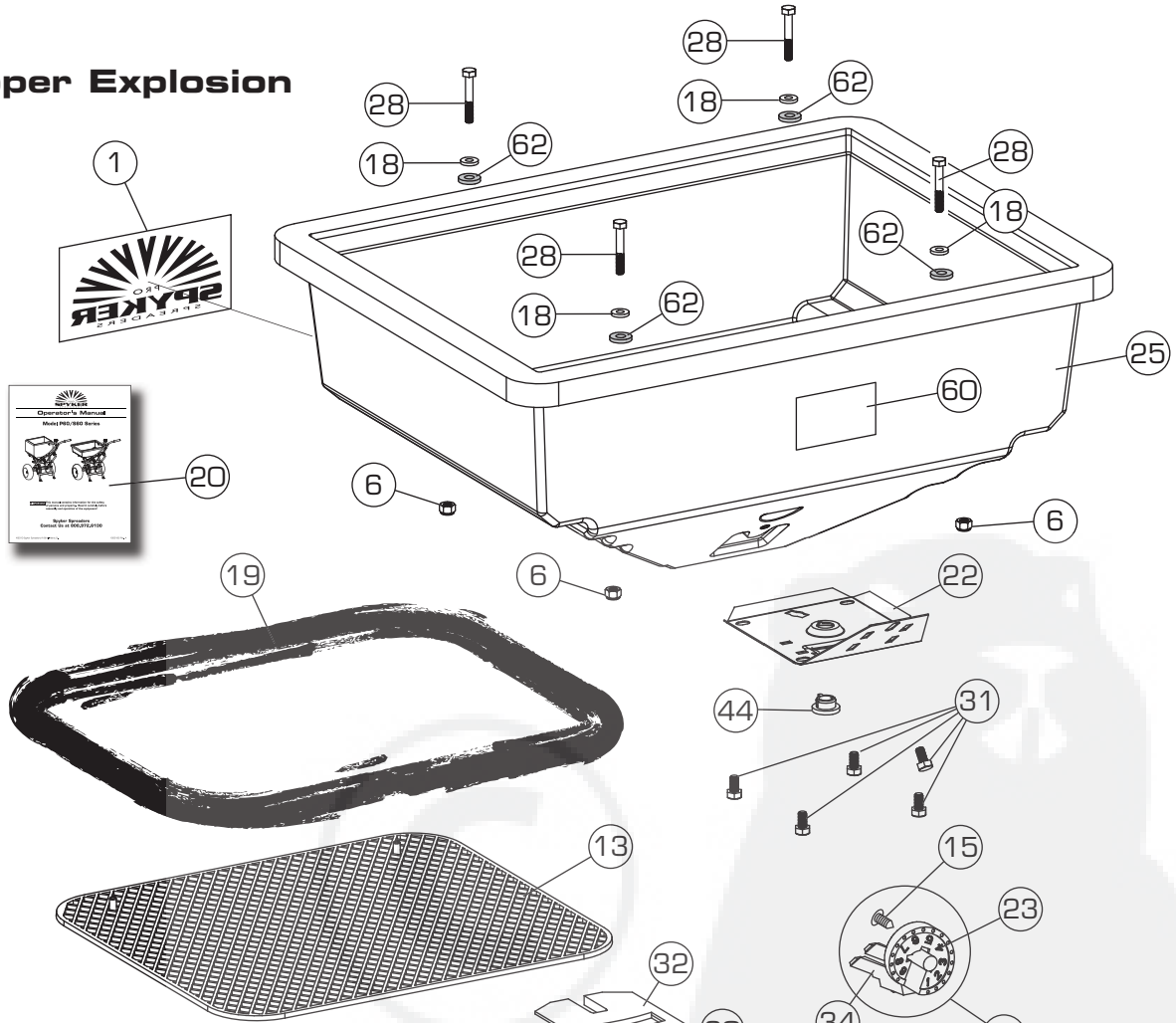
Model P60/S60 Series



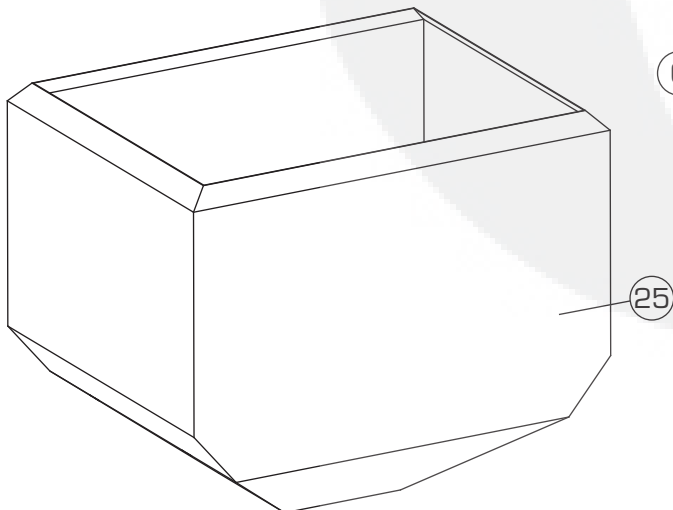
▲IMPORTANT This manual contains information for the safety of persons and property. Read it carefully before assembly and operation of the equipment!

Spyker Spreaders
Contact Us at 800.972.6130

Hopper Explosion



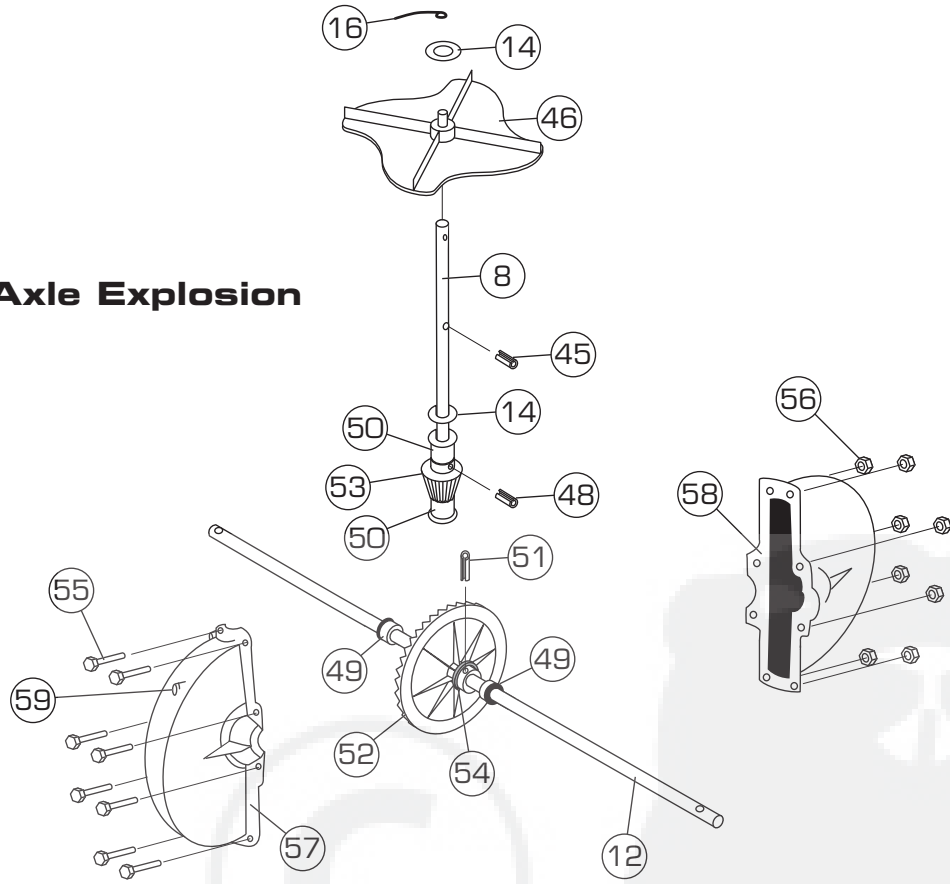
Rate Gate and Deflector Explosion



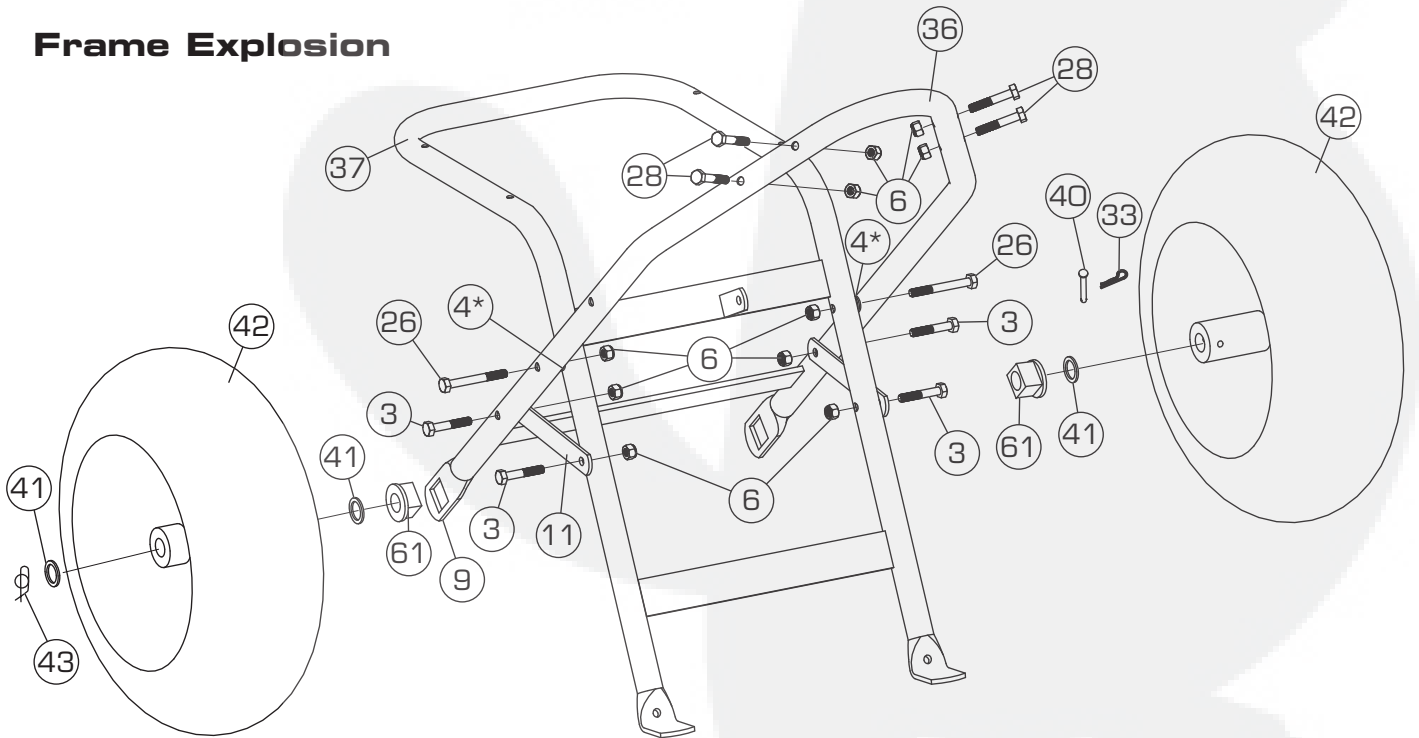
Handle Explosion



Spinner/Axle Explosion



Frame Explosion



*As needed for shimming

No.	Part Number	Qty	Description	No.	Part Number	Qty	Description
1	1008067	1	Decal Spyker Square Blue	32	05-94-0068	1	Rate Gate
2	1007773	1	Lever, Control	33	05-90-0102	1	Hair Pin, Small SS
3	05-90-0054	5	1/4-20 x 1-1/2" Hex Bolt, SS	34	05-94-0069	1	Dial Mount
4	05-92-0008	6	1/4" Washer, SS	35	1008083-10	1	Dual Handle Painted
5	05-94-0051	2	Nylon Flange Bushing		1008069-01	1	Dual Handle, SS
6	SS-91-0004	18	1/4-20 Nylon Locknut, SS	36	1008087-10	1	Axle Support Painted
7	05-90-0121	1	1/4-20 x 3/4" Hex Bolt, SS		1008072-01	1	Axle Support, SS
8	1008078	1	Spinner Shaft	37	1008090-10	1	Hopper Support Painted
9	1008079	1	Linkage Assembly		1008075-01	1	Hopper Support, SS
10	1008082	1	Control Rod	38	1007828	2	Handle Knob
11	1007794	2	Brace, Cross	39	SL-HP-1113-1	1	Rate Gate & Dial Assembly
12	1008085	1	Axle	40	05-90-0065	1	3/16 x 1-3/4" Clevis Pin
13	1008104	1	Screen	41	05-92-0004	3	Flat Washer, SS
14	SS-92-0002	2	Felt Washer	42	05-95-0016-JD	2	Wheel
15	05-94-0078	1	Pine Tree Clip	43	05-90-0040	1	Rue Ring Locking Pin
16	SS-96-0003	1	Agitator Wire	44	SS-94-0007	1	Hopper Bottom Bearing
17	05-94-0043	1	Accuway Diffuser	45	SS-90-0002	1	1/8 x 7/8" Roll Pin
18	05-94-0064	6	Nylon Washer	46	SS-94-0012-1	1	Spinner
19	1008169	1	Cover	47	05-99-0063	1	On-off Decal
20	1008192	1	Manual for push spreader	48	SS-90-0001	1	1/8 x 3/4" Roll Pin
21	05-44-2210	1	Accuway Screw Assembly	49	05-90-0093	2	5/8" Gearbox Bushing
22	05-71-2205	1	Hopper Bottom Plate	50	05-90-0094	2	3/8" Spinner Shaft Bushing
23	SS-94-0006	1	Dial	51	05-90-0096	1	3/16 x 1" Dowel Pin, SS
24	1008431-01	1	Rate Gate Link, Polished	52	05-94-0033	1	Bevel Gear
25	05-80-0030-R	1	Hopper, Black Plastic	53	05-94-0034	1	Pinion Gear
		1	Hopper, SS	54	05-288-1027	1	Nylon Pin Retainer
26	05-90-0017	2	1/4-20 x 2-3/4" Hex Bolt, SS	55	05-90-0097	8	#10-24 x 5/8" Flange Head Bolt, SS
27	05-90-0047	2	1/4-20 x 1" Hex Bolt, SS	56	05-91-0008	8	#10-24 Nylon Locknut, SS
28	05-90-0080	8	1/4-20 x 1-3/4" Hex Bolt, SS	57	05-94-0037	1	Gear Box Cover Front
29	05-94-0022	2	Handle Grips	58	05-94-0038	1	Gear Box Cover Rear
30	05-94-0042	2	Rate Gate/Accuway Guide	59	05-98-0111	1	Grease Zerk 1/4-28
31	99-10-0205	5	1/4-20 x 1/2" Hex Bolt, SS	60	05-93-0075	1	Spyker Accuway Label
				61	F-283	2	Axle Bearing
				62	SS-92-0002	4	Felt Washer (For Stainless Hopper Only)