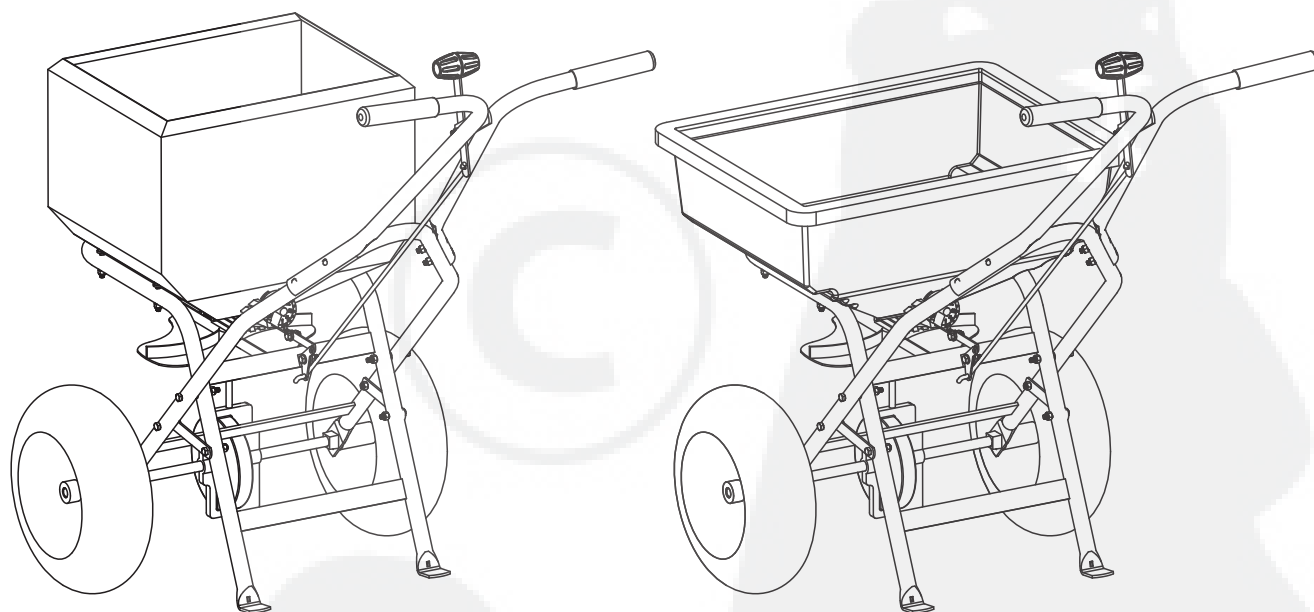




Operator's Manual

Model P60/S60 Series

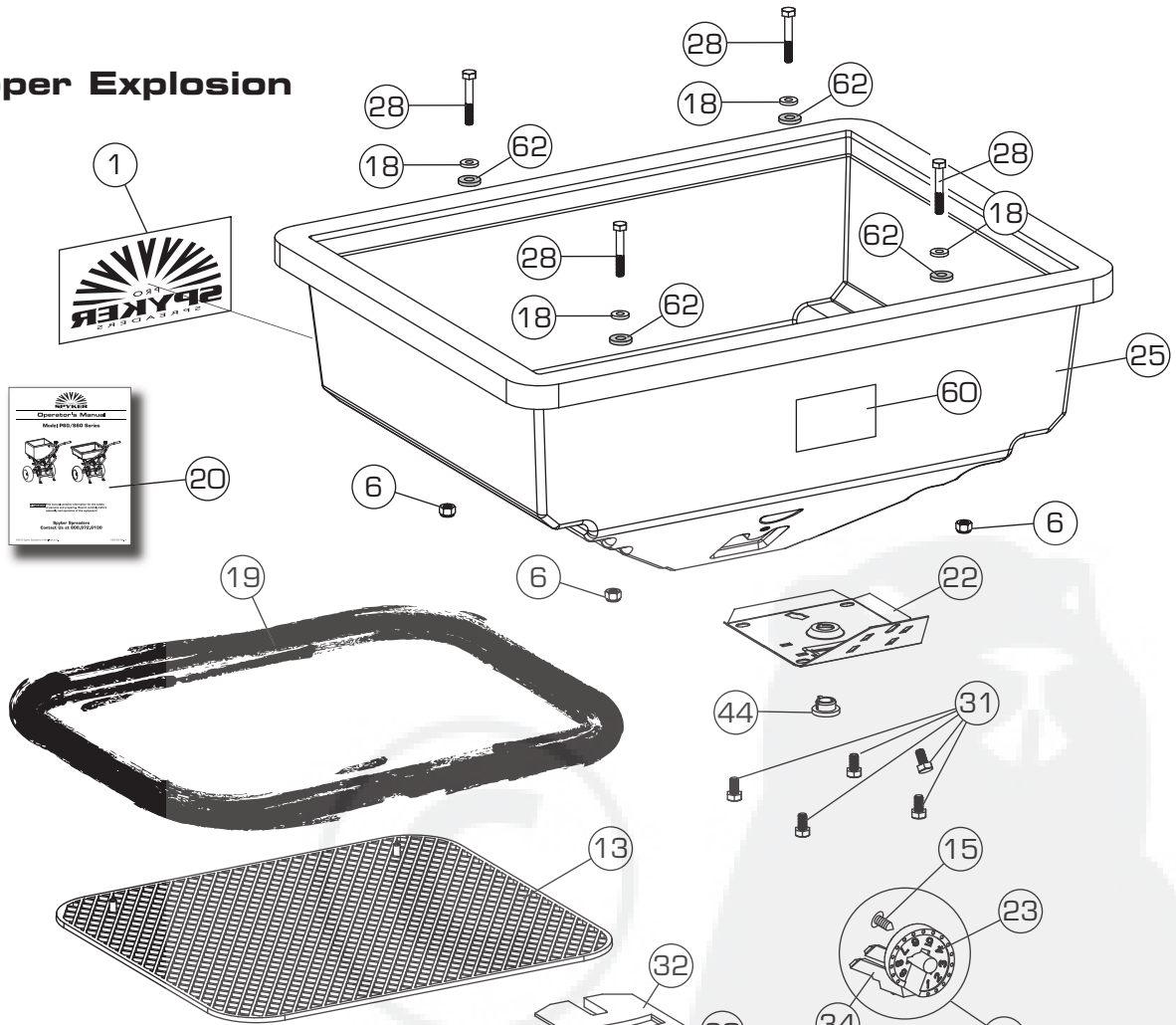


▲IMPORTANT

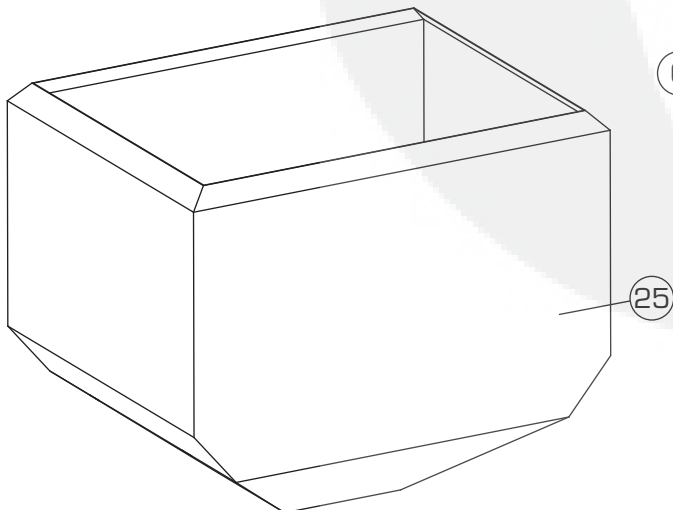
This manual contains information for the safety of persons and property. Read it carefully before assembly and operation of the equipment!

Spyker Spreaders
Contact Us at 800.972.6130

Hopper Explosion



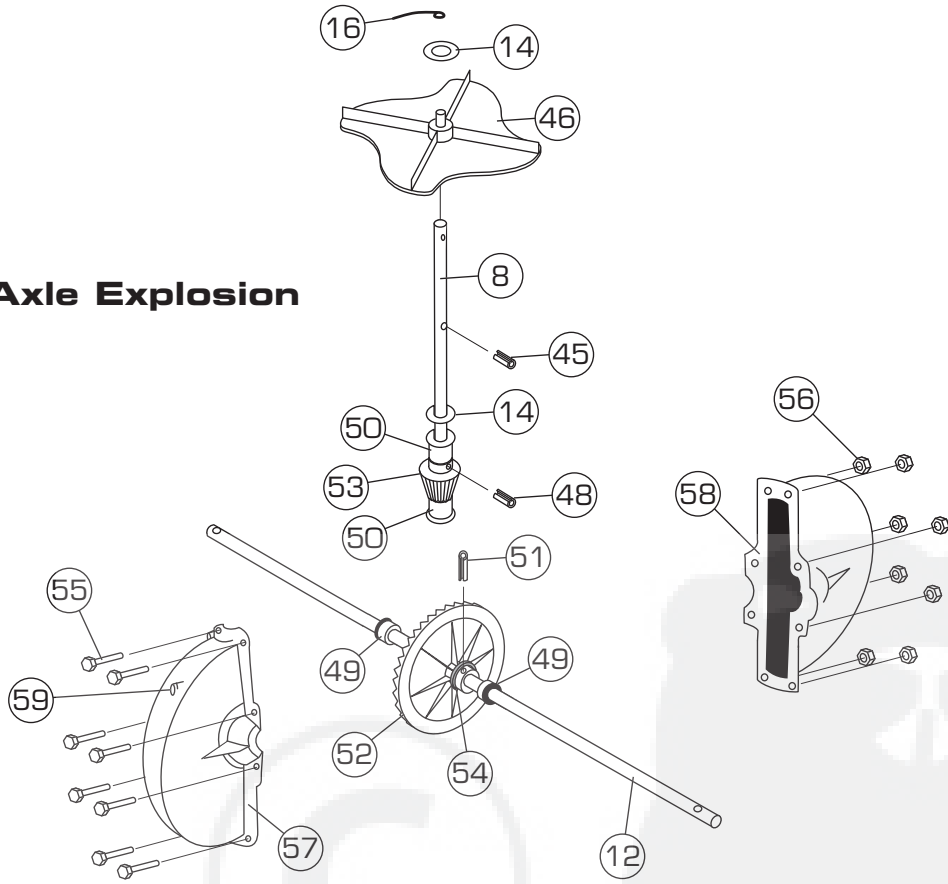
Rate Gate and Deflector Explosion



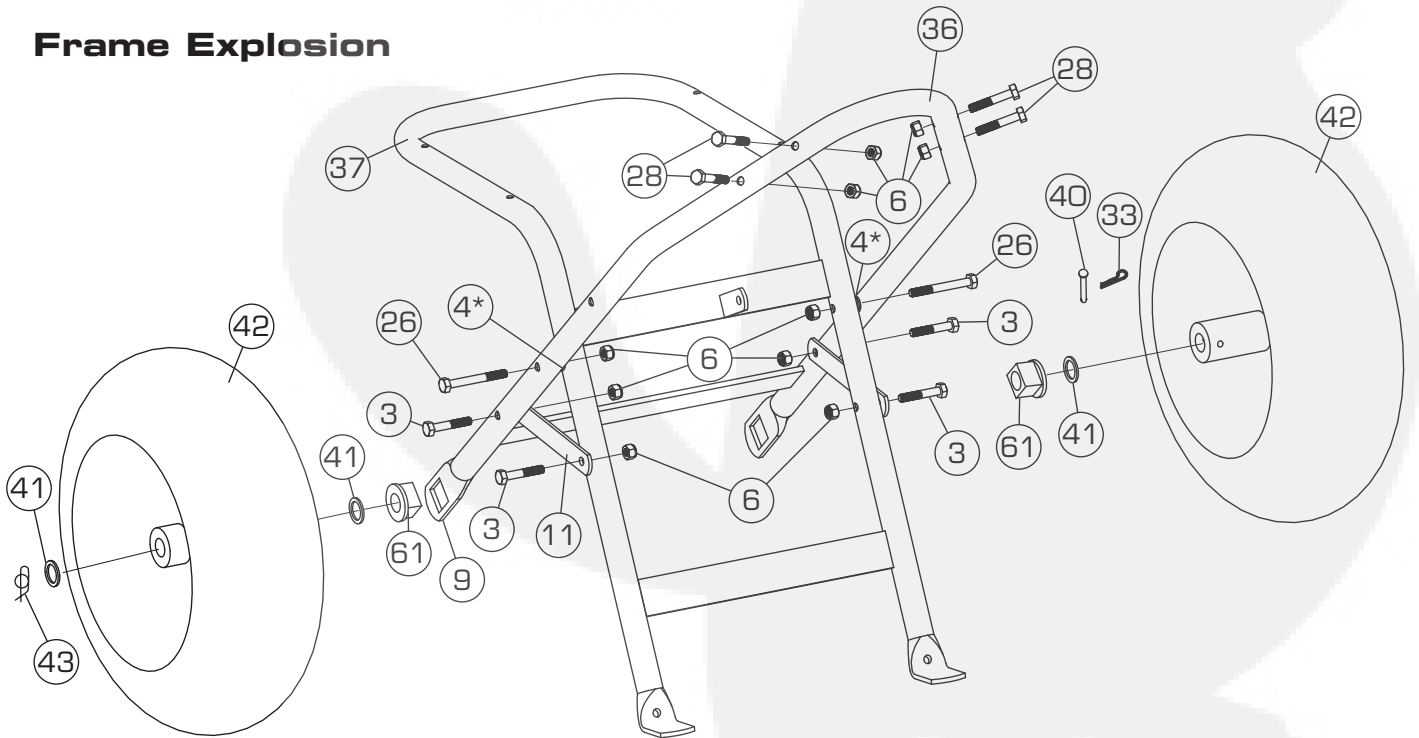
Handle Explosion



Spinner/Axle Explosion



Frame Explosion



*As needed for shimming

| No. | Part Number | Qty | Description | No. | Part Number | Qty | Description |
|-----|--------------|-----|------------------------------|-----|---------------|-----|---|
| 1 | 1008067 | 1 | Decal Spyker Square Blue | 32 | 05-94-0068 | 1 | Rate Gate |
| 2 | 1007773 | 1 | Lever, Control | 33 | 05-90-0102 | 1 | Hair Pin, Small SS |
| 3 | 05-90-0054 | 5 | 1/4-20 x 1-1/2" Hex Bolt, SS | 34 | 05-94-0069 | 1 | Dial Mount |
| 4 | 05-92-0008 | 6 | 1/4" Washer, SS | 35 | 1008083-10 | 1 | Dual Handle Painted |
| 5 | 05-94-0051 | 2 | Nylon Flange Bushing | | 1008069-01 | 1 | Dual Handle, SS |
| 6 | SS-91-0004 | 18 | 1/4-20 Nylon Locknut, SS | 36 | 1008087-10 | 1 | Axle Support Painted |
| 7 | 05-90-0121 | 1 | 1/4-20 x 3/4" Hex Bolt, SS | | 1008072-01 | 1 | Axle Support, SS |
| 8 | 1008078 | 1 | Spinner Shaft | 37 | 1008090-10 | 1 | Hopper Support Painted |
| 9 | 1008079 | 1 | Linkage Assembly | | 1008075-01 | 1 | Hopper Support, SS |
| 10 | 1008082 | 1 | Control Rod | 38 | 1007828 | 2 | Handle Knob |
| 11 | 1007794 | 2 | Brace, Cross | 39 | SL-HP-1113-1 | 1 | Rate Gate & Dial Assembly |
| 12 | 1008085 | 1 | Axle | 40 | 05-90-0065 | 1 | 3/16 x 1-3/4" Clevis Pin |
| 13 | 1008104 | 1 | Screen | 41 | 05-92-0004 | 3 | Flat Washer, SS |
| 14 | SS-92-0002 | 2 | Felt Washer | 42 | 05-95-0016-JD | 2 | Wheel |
| 15 | 05-94-0078 | 1 | Pine Tree Clip | 43 | 05-90-0040 | 1 | Rue Ring Locking Pin |
| 16 | SS-96-0003 | 1 | Agitator Wire | 44 | SS-94-0007 | 1 | Hopper Bottom Bearing |
| 17 | 05-94-0043 | 1 | Accuway Diffuser | 45 | SS-90-0002 | 1 | 1/8 x 7/8" Roll Pin |
| 18 | 05-94-0064 | 6 | Nylon Washer | 46 | SS-94-0012-1 | 1 | Spinner |
| 19 | 1008169 | 1 | Cover | 47 | 05-99-0063 | 1 | On-off Decal |
| 20 | 1008192 | 1 | Manual for push spreader | 48 | SS-90-0001 | 1 | 1/8 x 3/4" Roll Pin |
| 21 | 05-44-2210 | 1 | Accuway Screw Assembly | 49 | 05-90-0093 | 2 | 5/8" Gearbox Bushing |
| 22 | 05-71-2205 | 1 | Hopper Bottom Plate | 50 | 05-90-0094 | 2 | 3/8" Spinner Shaft Bushing |
| 23 | SS-94-0006 | 1 | Dial | 51 | 05-90-0096 | 1 | 3/16 x 1" Dowel Pin, SS |
| 24 | 1008431-01 | 1 | Rate Gate Link, Polished | 52 | 05-94-0033 | 1 | Bevel Gear |
| 25 | 05-80-0030-R | 1 | Hopper, Black Plastic | 53 | 05-94-0034 | 1 | Pinion Gear |
| | | 1 | Hopper, SS | 54 | 05-288-1027 | 1 | Nylon Pin Retainer |
| 26 | 05-90-0017 | 2 | 1/4-20 x 2-3/4" Hex Bolt, SS | 55 | 05-90-0097 | 8 | #10-24 x 5/8" Flange Head Bolt, SS |
| 27 | 05-90-0047 | 2 | 1/4-20 x 1" Hex Bolt, SS | 56 | 05-91-0008 | 8 | #10-24 Nylon Locknut, SS |
| 28 | 05-90-0080 | 8 | 1/4-20 x 1-3/4" Hex Bolt, SS | 57 | 05-94-0037 | 1 | Gear Box Cover Front |
| 29 | 05-94-0022 | 2 | Handle Grips | 58 | 05-94-0038 | 1 | Gear Box Cover Rear |
| 30 | 05-94-0042 | 2 | Rate Gate/Accuway Guide | 59 | 05-98-0111 | 1 | Grease Zerk 1/4-28 |
| 31 | 99-10-0205 | 5 | 1/4-20 x 1/2" Hex Bolt, SS | 60 | 05-93-0075 | 1 | Spyker Accuway Label |
| | | | | 61 | F-283 | 2 | Axle Bearing |
| | | | | 62 | SS-92-0002 | 4 | Felt Washer (For Stainless Hopper Only) |