

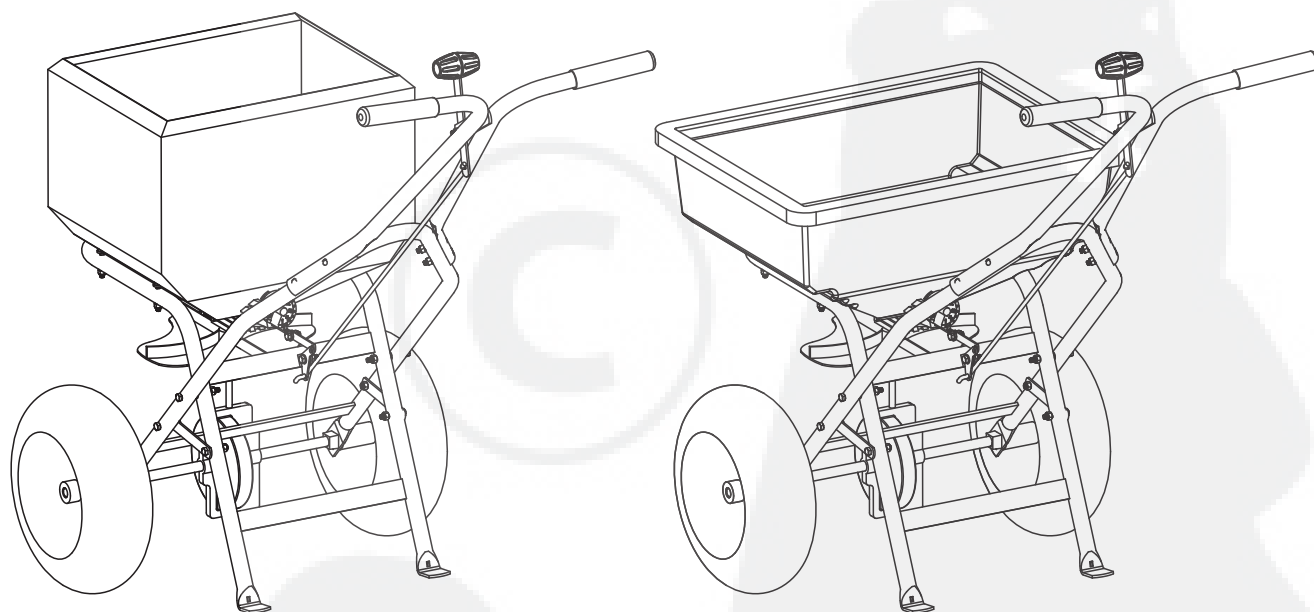


---

# Operator's Manual

---

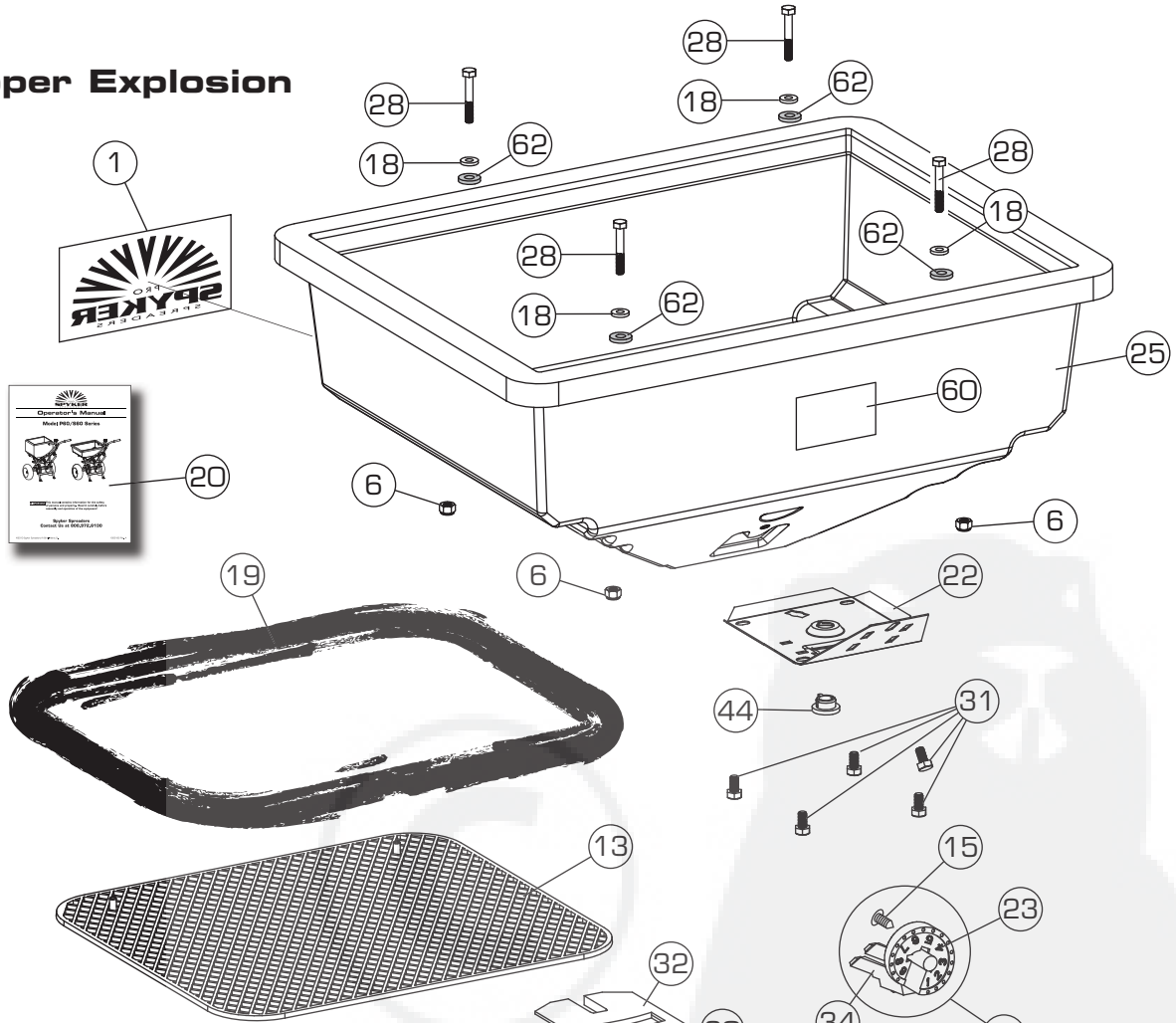
## Model P60/S60 Series



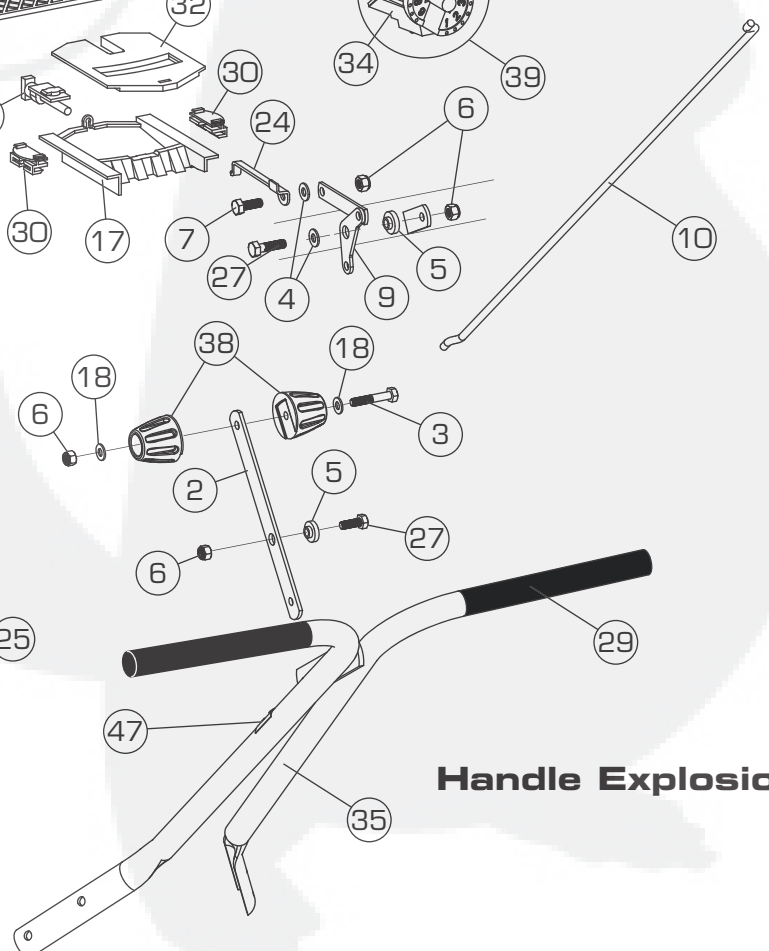
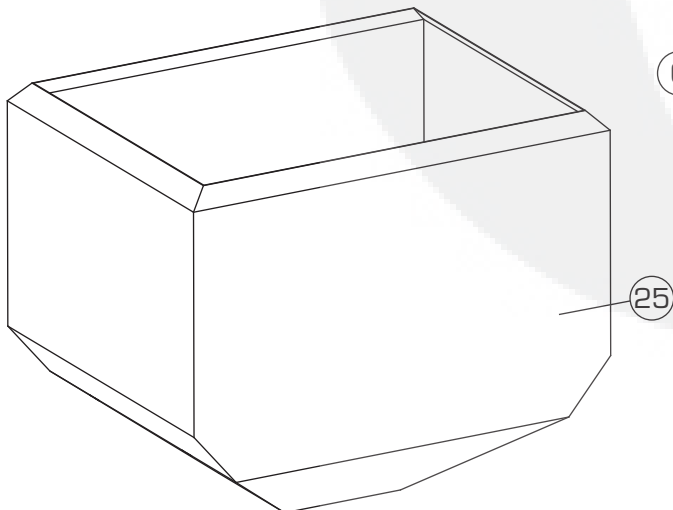
**▲IMPORTANT** This manual contains information for the safety of persons and property. Read it carefully before assembly and operation of the equipment!

**Spyker Spreaders**  
**Contact Us at 800.972.6130**

## Hopper Explosion

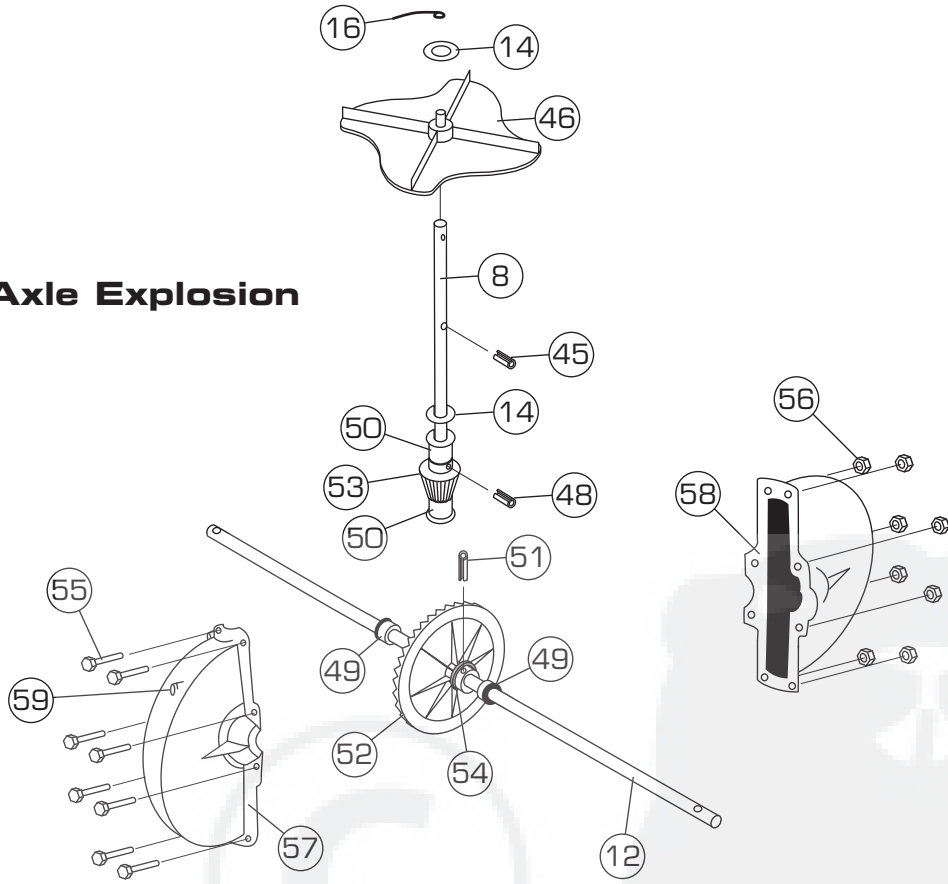


## Rate Gate and Deflector Explosion

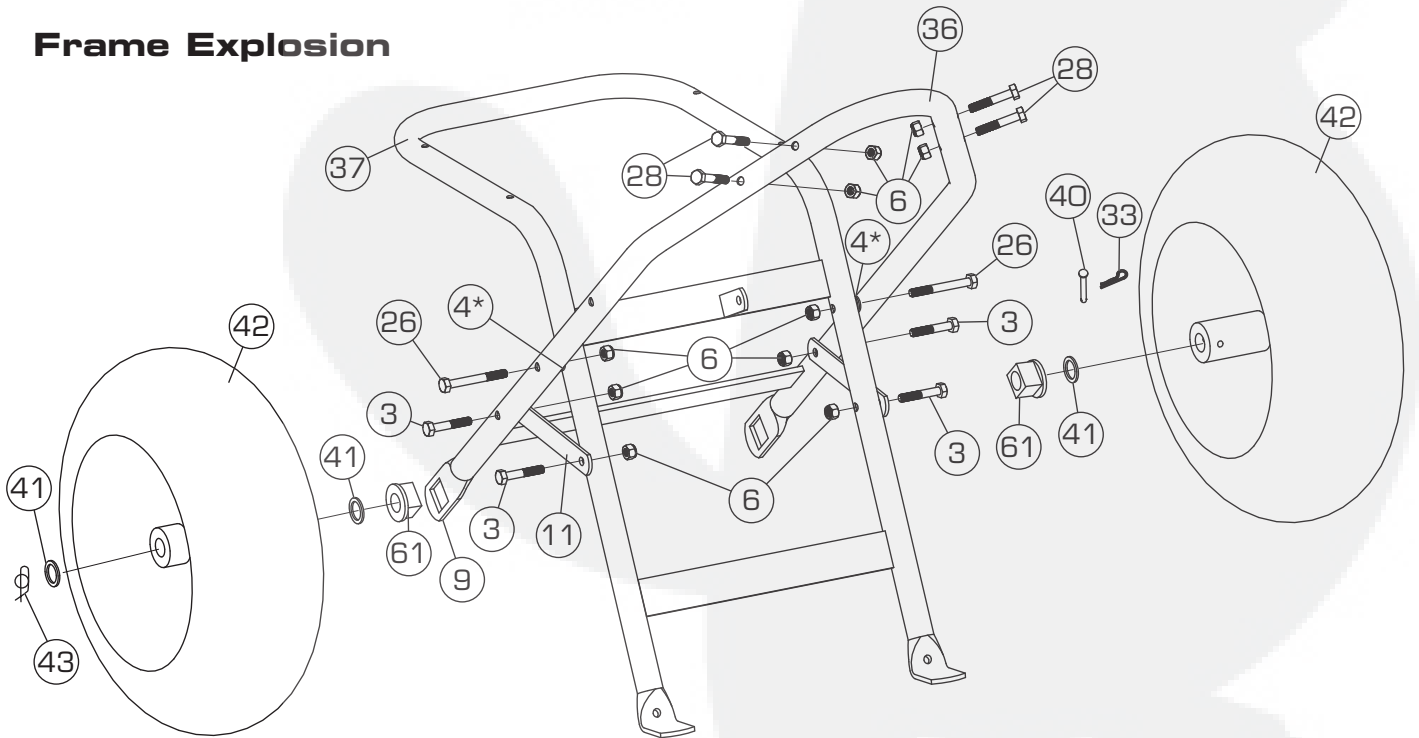


## Handle Explosion

## Spinner/Axle Explosion



## Frame Explosion



\*As needed for shimming

No.	Part Number	Qty	Description	No.	Part Number	Qty	Description
1	1008067	1	Decal Spyker Square Blue	32	05-94-0068	1	Rate Gate
2	1007773	1	Lever, Control	33	05-90-0102	1	Hair Pin, Small SS
3	05-90-0054	5	1/4-20 x 1-1/2" Hex Bolt, SS	34	05-94-0069	1	Dial Mount
4	05-92-0008	6	1/4" Washer, SS	35	1008083-10	1	Dual Handle Painted
5	05-94-0051	2	Nylon Flange Bushing		1008069-01	1	Dual Handle, SS
6	SS-91-0004	18	1/4-20 Nylon Locknut, SS	36	1008087-10	1	Axle Support Painted
7	05-90-0121	1	1/4-20 x 3/4" Hex Bolt, SS		1008072-01	1	Axle Support, SS
8	1008078	1	Spinner Shaft	37	1008090-10	1	Hopper Support Painted
9	1008079	1	Linkage Assembly		1008075-01	1	Hopper Support, SS
10	1008082	1	Control Rod	38	1007828	2	Handle Knob
11	1007794	2	Brace, Cross	39	SL-HP-1113-1	1	Rate Gate & Dial Assembly
12	1008085	1	Axle	40	05-90-0065	1	3/16 x 1-3/4" Clevis Pin
13	1008104	1	Screen	41	05-92-0004	3	Flat Washer, SS
14	SS-92-0002	2	Felt Washer	42	05-95-0016-JD	2	Wheel
15	05-94-0078	1	Pine Tree Clip	43	05-90-0040	1	Rue Ring Locking Pin
16	SS-96-0003	1	Agitator Wire	44	SS-94-0007	1	Hopper Bottom Bearing
17	05-94-0043	1	Accuway Diffuser	45	SS-90-0002	1	1/8 x 7/8" Roll Pin
18	05-94-0064	6	Nylon Washer	46	SS-94-0012-1	1	Spinner
19	1008169	1	Cover	47	05-99-0063	1	On-off Decal
20	1008192	1	Manual for push spreader	48	SS-90-0001	1	1/8 x 3/4" Roll Pin
21	05-44-2210	1	Accuway Screw Assembly	49	05-90-0093	2	5/8" Gearbox Bushing
22	05-71-2205	1	Hopper Bottom Plate	50	05-90-0094	2	3/8" Spinner Shaft Bushing
23	SS-94-0006	1	Dial	51	05-90-0096	1	3/16 x 1" Dowel Pin, SS
24	1008431-01	1	Rate Gate Link, Polished	52	05-94-0033	1	Bevel Gear
25	05-80-0030-R	1	Hopper, Black Plastic	53	05-94-0034	1	Pinion Gear
		1	Hopper, SS	54	05-288-1027	1	Nylon Pin Retainer
26	05-90-0017	2	1/4-20 x 2-3/4" Hex Bolt, SS	55	05-90-0097	8	#10-24 x 5/8" Flange Head Bolt, SS
27	05-90-0047	2	1/4-20 x 1" Hex Bolt, SS	56	05-91-0008	8	#10-24 Nylon Locknut, SS
28	05-90-0080	8	1/4-20 x 1-3/4" Hex Bolt, SS	57	05-94-0037	1	Gear Box Cover Front
29	05-94-0022	2	Handle Grips	58	05-94-0038	1	Gear Box Cover Rear
30	05-94-0042	2	Rate Gate/Accuway Guide	59	05-98-0111	1	Grease Zerk 1/4-28
31	99-10-0205	5	1/4-20 x 1/2" Hex Bolt, SS	60	05-93-0075	1	Spyker Accuway Label
				61	F-283	2	Axle Bearing
				62	SS-92-0002	4	Felt Washer (For Stainless Hopper Only)