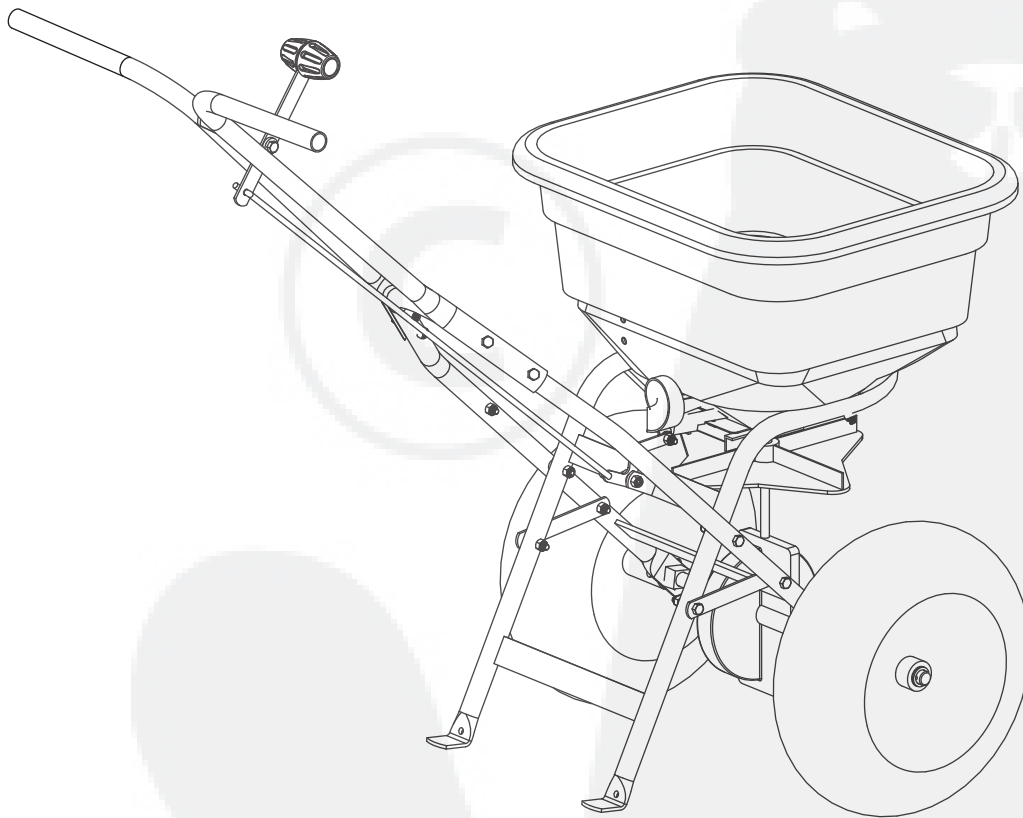




Operator's Manual

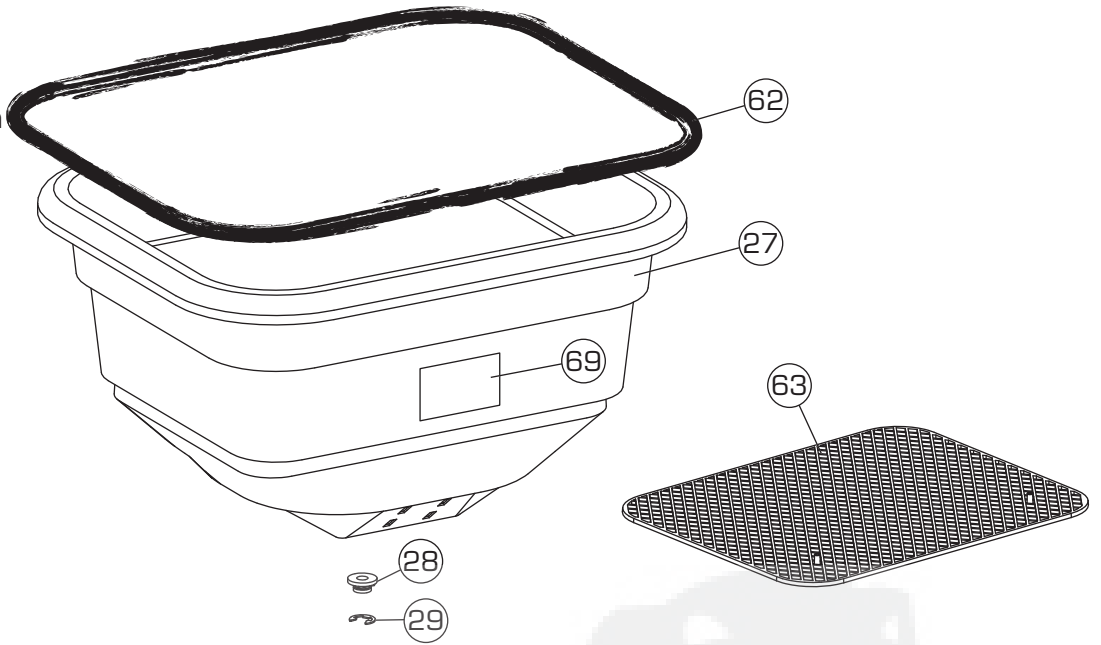
Model P40/S40 Series



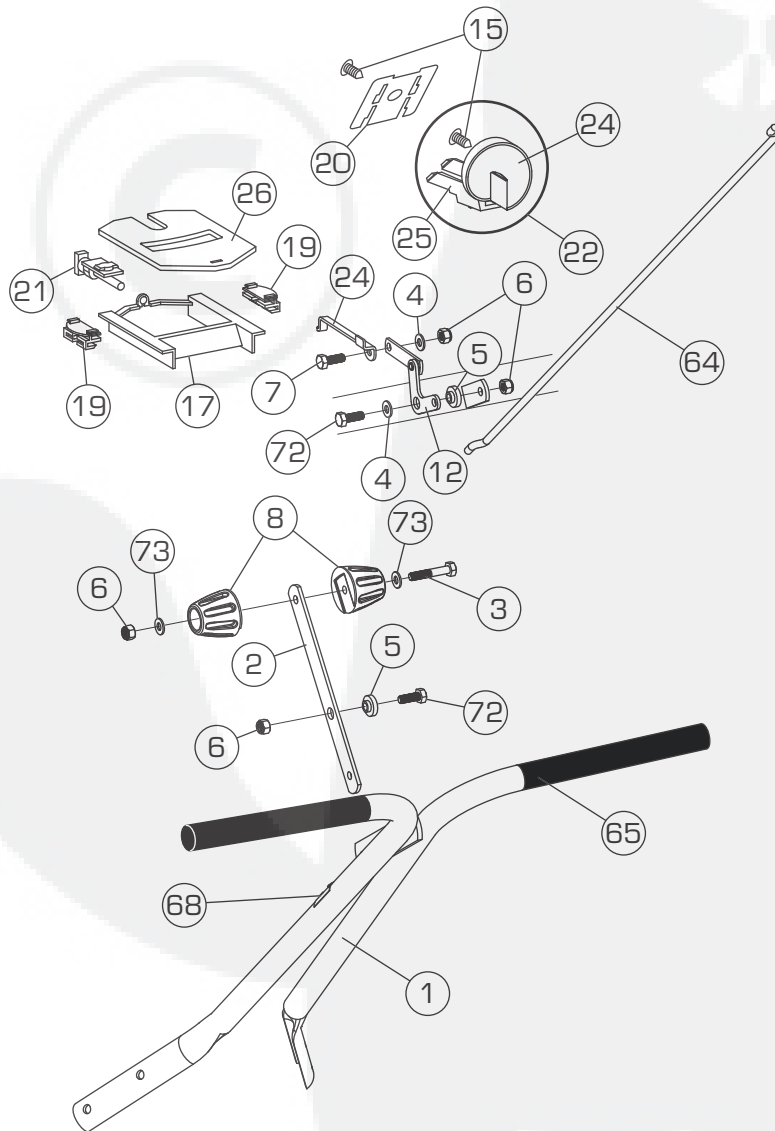
▲IMPORTANT This manual contains information for the safety of persons and property. Read it carefully before assembly and operation of the equipment!

Spyker Spreaders
Contact Us at 800.972.6130

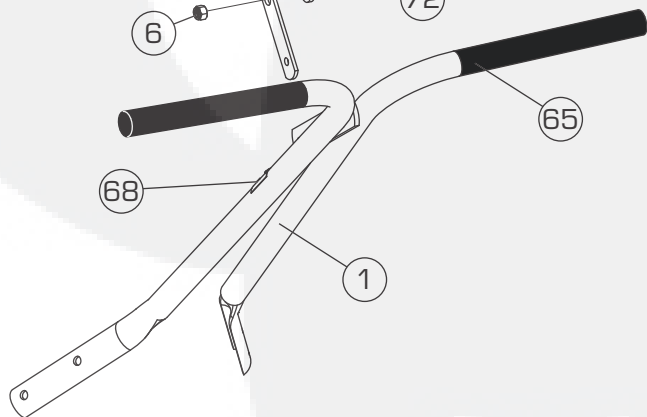
Hopper Explosion



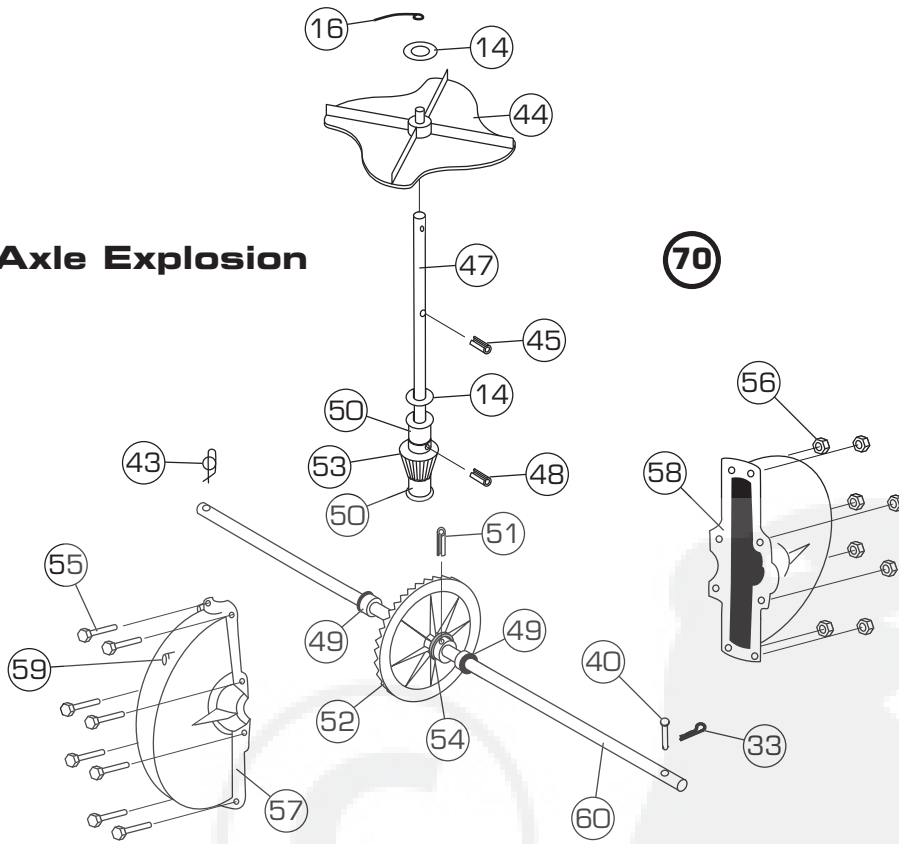
Rate Gate and Deflector Explosion



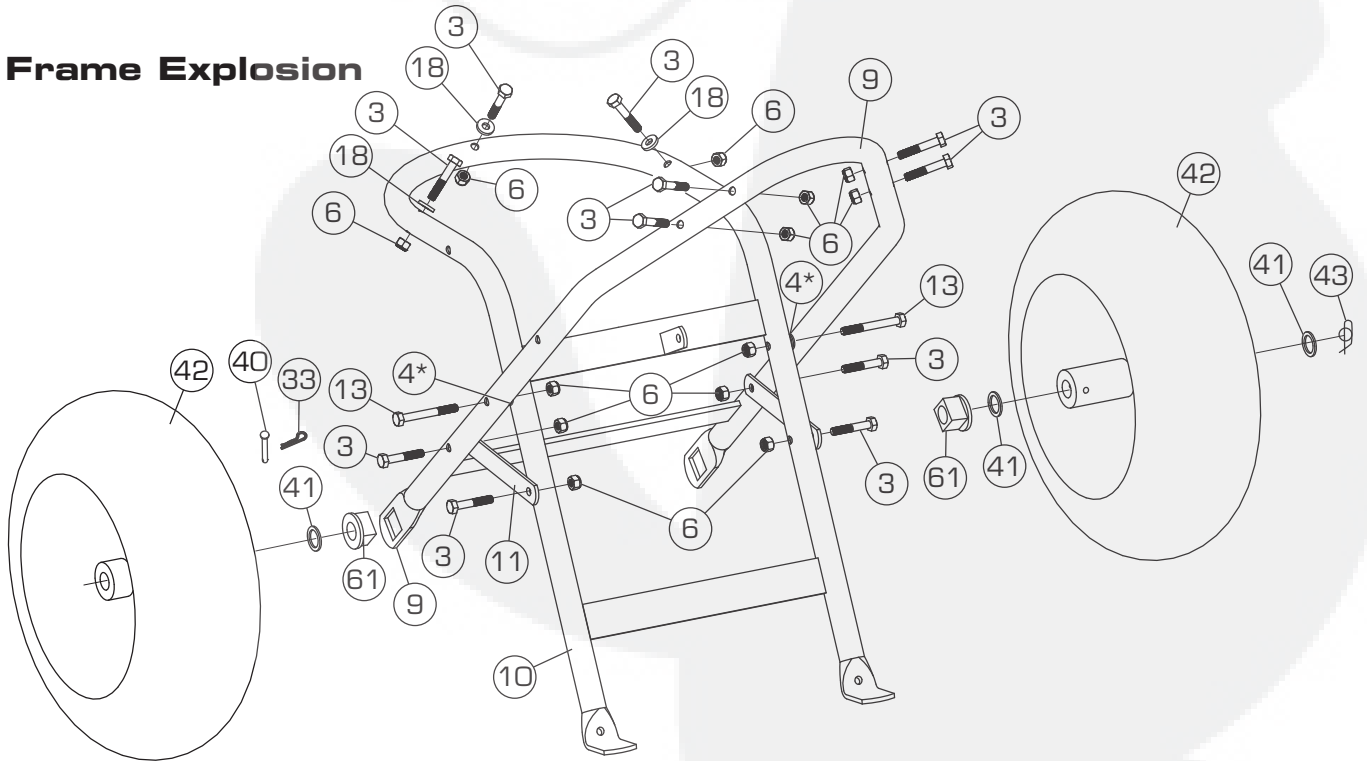
Handle Explosion



Spinner/Axle Explosion



Frame Explosion



*As needed for shimming

Item	Part Number	Qty	Description	Item	Part Number	Qty	Description
1	1007770-01	1	Handle Stainless	35	N/A		Number Not Used
	1008052-10	1	Handle Painted	36	N/A		Number Not Used
2	1007773	1	Control Lever	37	N/A		Number Not Used
3	05-90-0054	12	1/4" x 1-1/2" Bolt, SS	38	N/A		Number Not Used
4	05-92-0008	6	1/4" Washer, SS	39	N/A		Number Not Used
5	05-94-0051	2	Nylon Flange Bushing	40	05-90-0065	1	3/16" x 1-3/4" Clevis Pin
6	SS-91-0004	17	1/4" Nylon Locknut, SS	41	05-92-0004	3	Flat Washer, SS
7	05-90-0121	1	1/4" x 3/4" Bolt, SS	42	05-95-0016-JD	2	Wheel
8	1007828	2	Knob Half	43	05-90-0040	1	Rue Ring Locking Pin
9	1007774-01	1	Axle Support Stainless	44	SS-94-0012	1	Spreading Spinner
	1008055-10	1	Axle Support Painted	45	SS-90-0002	1	1/8" x 7/8" Roll Pin
10	1007777-01	1	Hopper Support Stainless	46	N/A		Number Not Used
	1008058-10	1	Hopper Support Painted	47	05-97-0037	1	Spinner Shaft, SS
11	1007794	2	Cross Brace Stainless	48	SS-90-0001	1	1/8" x 3/4" Roll Pin
	1008061-10	2	Cross Brace Painted	49	05-90-0093	2	5/8" Gearbox Bushing
12	1007811	1	Control Linkage Assembly	50	05-90-0094	2	3/8" Spinner Shaft Bushing
13	1007888	2	1/4" x 2-1/4" Bolt, SS	51	05-90-0096	1	3/16" x 1" Dowel Pin, SS
14	SS-92-0002	2	Felt Washer	52	05-94-0033	1	Bevel Gear
15	05-94-0078	2	Pine Tree Clip	53	05-94-0034	1	Pinion Gear
16	SS-96-0003	1	Agitator Wire	54	05-288-1027	1	Nylon Spacer Retaining Pin
17	05-94-0043	1	Accuway® Diffuser	55	05-90-0097	8	#10 x 5/8" Flanged Head Bolt, SS
18	05-94-0064	5	Nylon Washer	56	05-91-0008	8	#10 Nylon Locknut, SS
19	05-94-0097	2	Rate Gate Guide	57	05-94-0037	1	Gear Box Cover Front
20	05-48-1015	1	Dial Mount Retainer	58	05-94-0038	1	Gear Box Cover Rear
21	05-46-2211-T	1	Accuway® Screw Assembly	59	05-98-0111	1	Grease Zerk
22	05-48-1113-T	1	Rate Gate & Dial Assy	60	1007781	1	Axle
23	SS-94-0006	1	Plastic Dial	61	F-283	2	Axle Bearing
24	1008431-01	1	Rate Gate Link	62	05-94-0065	1	Hopper Cover
25	05-94-0099	1	Dial Mount	63	1008022	1	Screen
26	05-94-0068	1	Rate Gate	64	05-46-1014	1	Control Rod
27	1007847	1	Hopper	65	SS-94-0013	2	Handle Grip
28	F-574	1	Bearing	66	N/A		Number Not Used
29	B1HF577	1	5/8" E-Ring	67	N/A		Number Not Used
30	N/A		Number Not Used	68	05-99-0063	1	On-off Decal
31	N/A		Number Not Used	69	05-93-0075	1	Spyker Accuway® Label
32	N/A		Number Not Used	70	1007818	1	Spinner/Axle Assembly
33	05-90-0102	1	Hairpin Cotter, SS	71	N/A		Number Not Used
34	N/A		Number Not Used	72	1001255	2	1/4" x 1" Bolt, SS
				73	1001554	2	Nylon Washer