

shindaiwa[®]

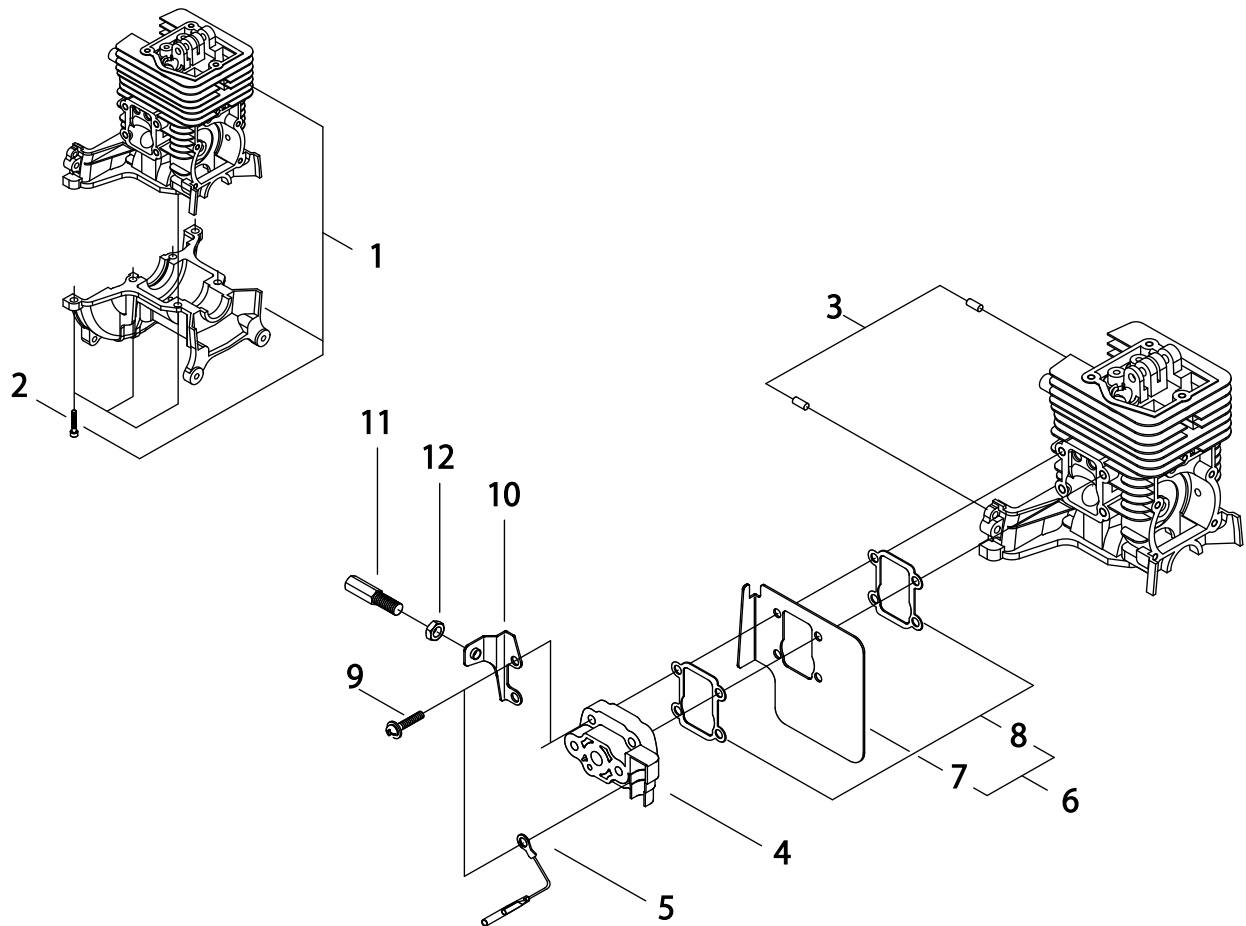
PARTS CATALOG

TRIMMER T2510X/EC2(37)

37000001 -

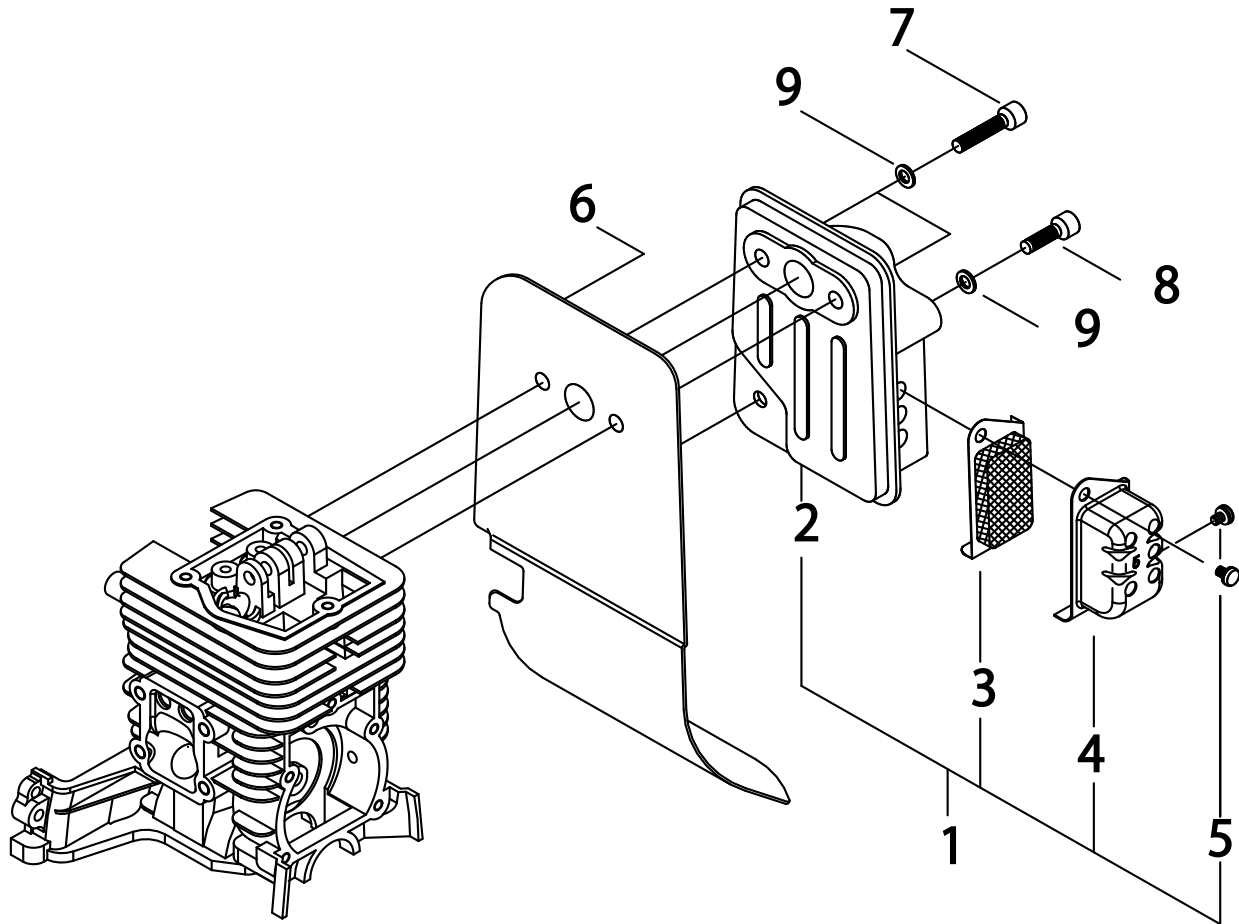
P016-000300-11Eb

1. CYLINDER, CRANKCASE



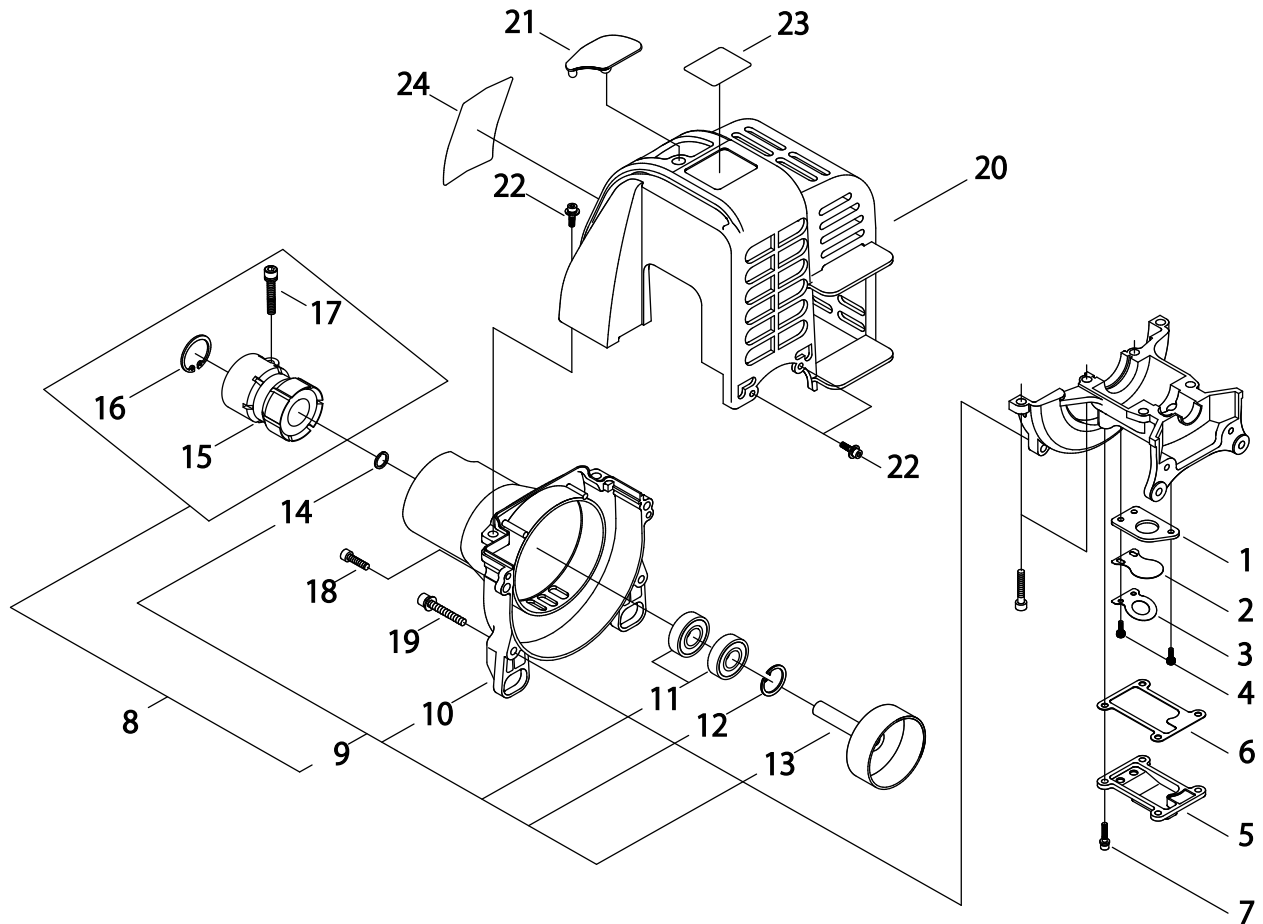
KEY	LV	PART NUMBER	Q'TY	DESCRIPTION	REMARKS	NOTE1	NOTE2
1		P021-027390	1	CYLINDER BLOCK SET			
2	+	900105-05016	6	BOLT, H.S. 5*16	5*16		
3		V622-000040	2	ROLLER			
4		A024-000050	1	REED VALVE			
5		V485-001260	1	LEAD WIRE	L110		
6		A209-000250	1	BAFFLE PLATE COMP			
7	+	A209-000260	1	BAFFLE PLATE			
8	+	V103-001130	2	GASKET			
9		91582-05022	4	SCREW,PM-SPW	M5*22		
10		V152-002250	1	BRACKET THROTTLE			
11		C486-000030	1	CABLE ADJUSTER			
12		92018-06000	1	NUT			

2. MUFFLER



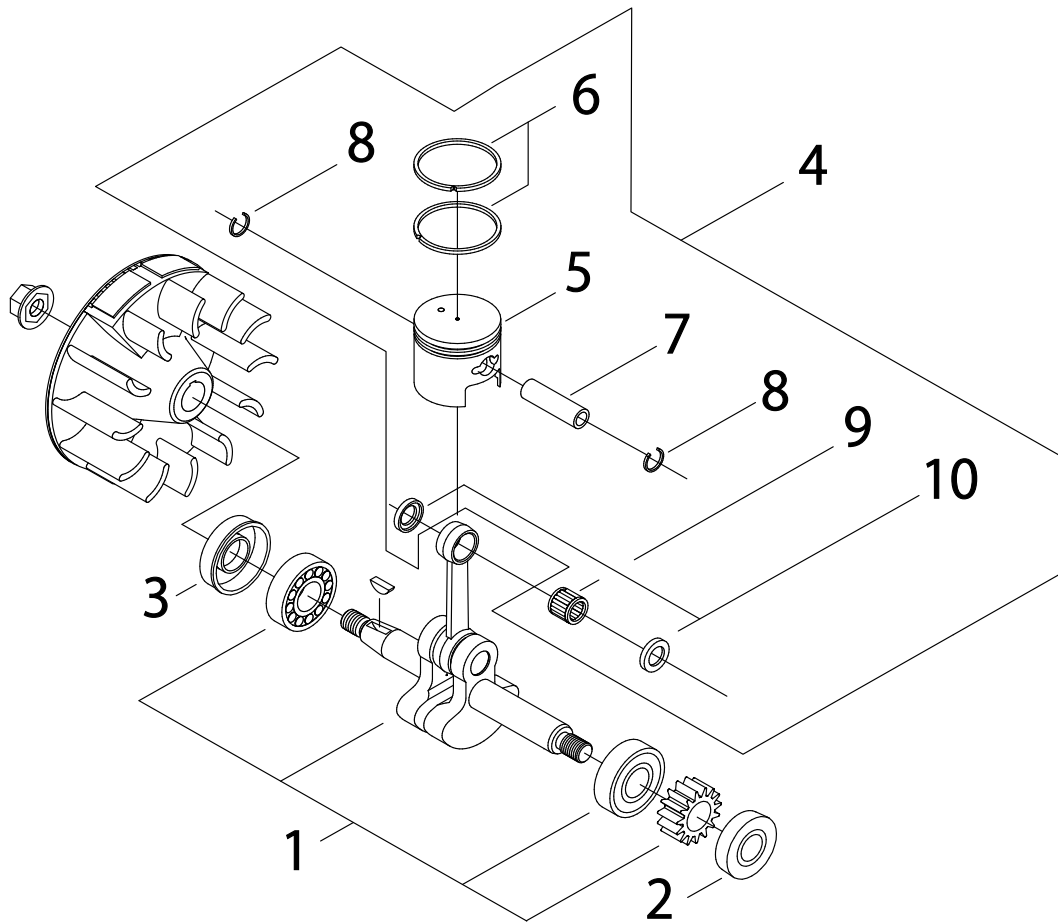
KEY	LV	PART NUMBER	Q'TY	DESCRIPTION	REMARKS	NOTE1	NOTE2
1		A030-000342	1	MUFFLER ASY			
2	+	A300-001251	1	MUFFLER, EXHAUST			
3	+	A310-000390	1	SCREEN, ARRESTOR			
4	+	A313-001391	1	GUIDE, EXHAUST			
5	+	91572-04006	2	SCREW, PM-SW			
6		V104-001431	1	GASKET, EXHAUST			
7		V203-001000	2	BOLT			
8		900105-05016	1	BOLT, H.S. 5*16	5*16		
9		900600-00005	3	WASHER 5	5		

3. FAN CASE



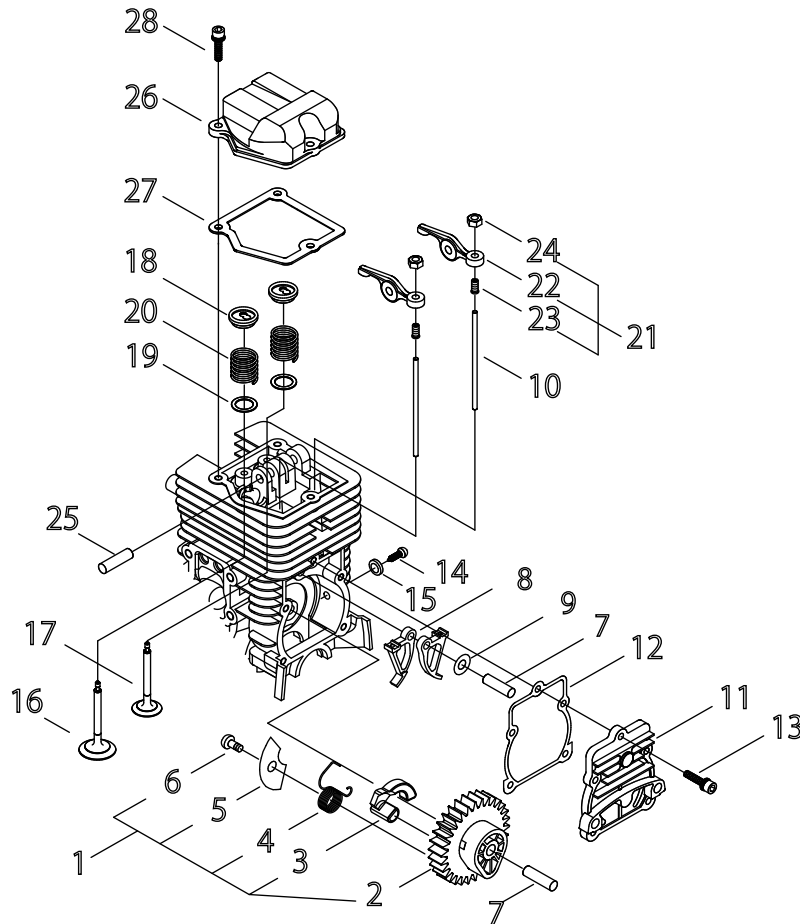
KEY	LV	PART NUMBER	Q'TY	DESCRIPTION	REMARKS	NOTE1	NOTE2
1		A200-000750	1	INSULATOR			
2		A211-000030	1	VALVE, REED			
3		A212-000040	1	STOPPER			
4		91341-03010	3	SCREW-SW	M3*10		
5		A123-000000	1	COVER			
6		V109-000100	1	GASKET			
7		V202-000340	4	BOLT-SPW	M4*12		
8		P021-027520	1	FAN COVER ASSY			
9	+	P021-028300	1	FAN COVER COMP			
10	+	A172-001830	1	COVER, FAN			
11	++	900804-06000	2	BEARING, BALL	6000ZZ		
12	++	92424-26000	1	SNAP RING			
13	++	A556-000610	1	CLUTCH DRUM			
14	++	V583-000160	1	SNAP RING			
15	+	A575-000190	1	JOINT			
16	+	92424-40000	1	SNAP RING			
17	+	V203-000620	1	BOLT-SW			
18		900105-05016	2	BOLT, H.S. 5*16	5*16		
19		V203-000610	2	BOLT SPW			
20		A160-001861	1	COVER, CYLINDER			
21		A429-000140	1	GROMMET			
22		V202-000300	4	BOLT SLPW			
23		X504-002160	1	LABEL TRADE			
24		X504-002530	1	LABEL TRADE			

4. PISTON, CRANKSHAFT



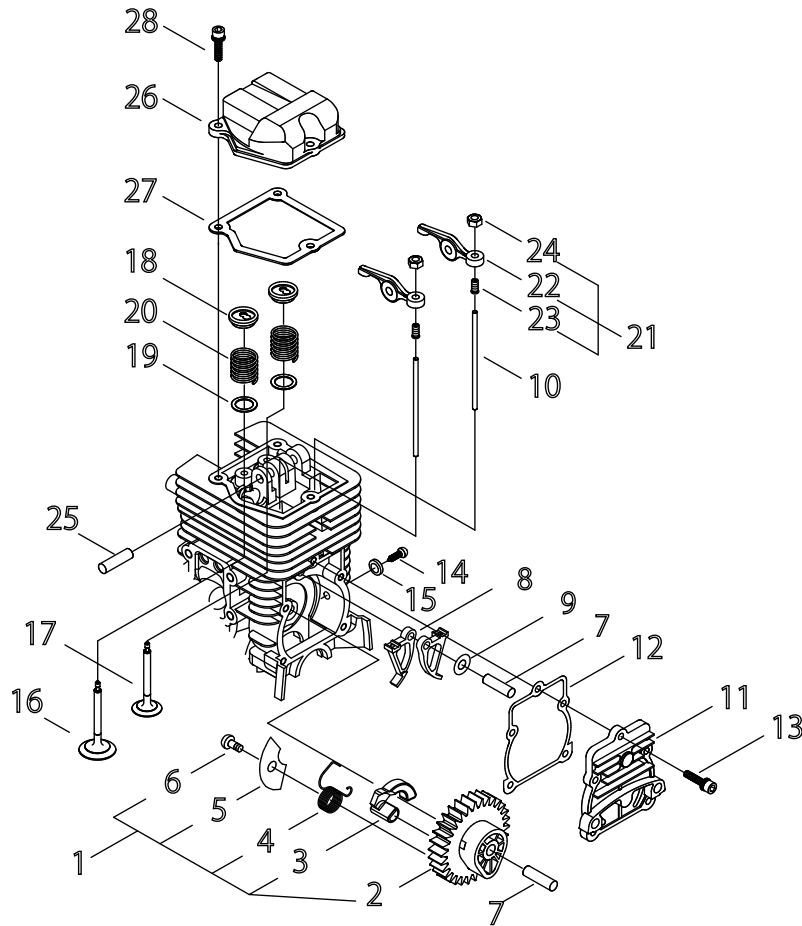
KEY	LV	PART NUMBER	Q'TY	DESCRIPTION	REMARKS	NOTE1	NOTE2
1		A011-000630	1	CRANKSHAFT COMP			
2		V505-000020	1	SEAL,OIL 12	12*22*7		
3		V505-000120	1	OIL SEAL			
4		P021-033930	1	PISTON KIT			
5	+	A100-000710	1	PISTON			
6	+	A101-000390	2	PISTON RING			
7	+	V607-000040	1	PISTON PIN			
8	+	V580-000090	2	SNAP RING			
9	+	V554-000010	1	NEEDLE BEARING			
10	+	V392-000020	2	THRUST WASHER			

5. VALVE



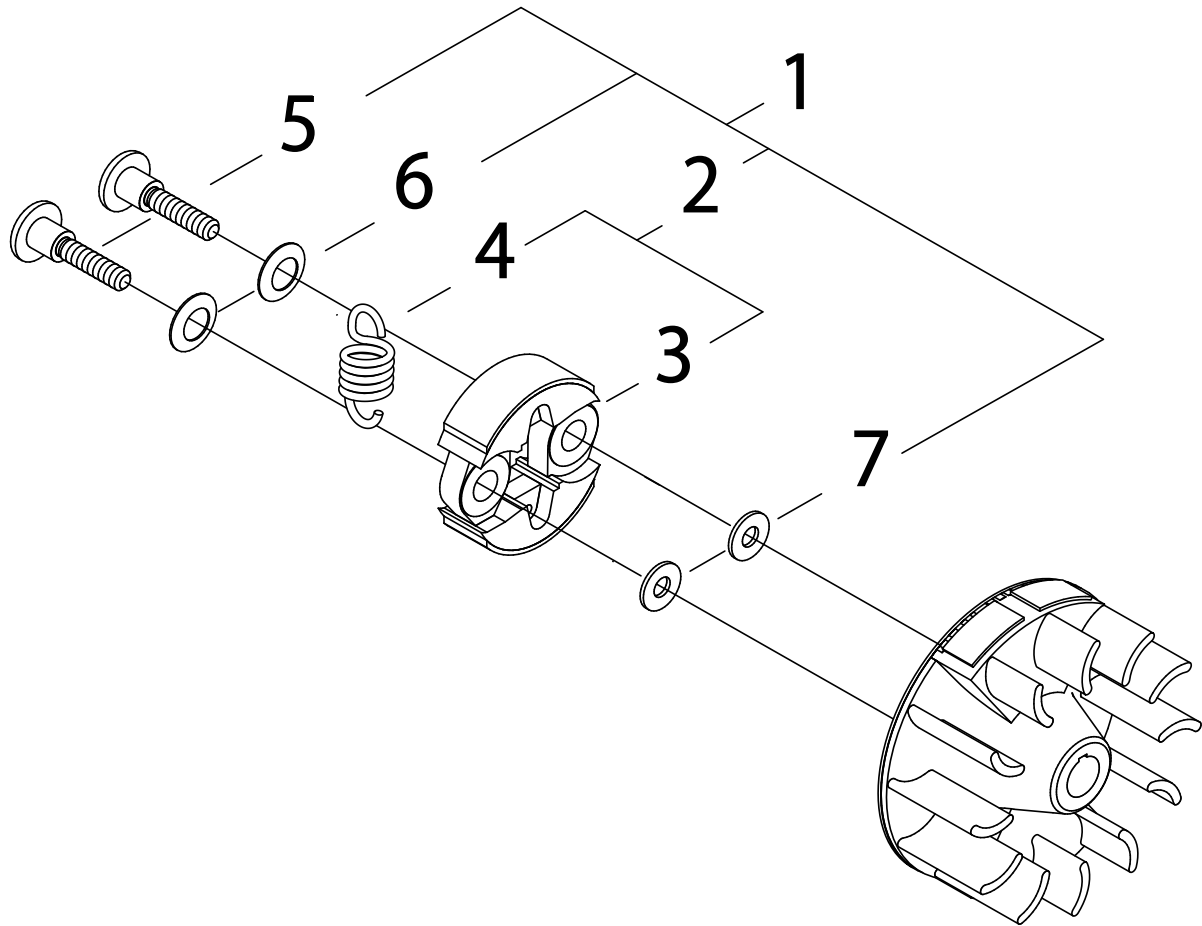
KEY	LV	PART NUMBER	Q'TY	DESCRIPTION	REMARKS	NOTE1	NOTE2
1		A063-000000	1	CAM GEAR ASSY			
2	+	A622-000000	1	CAM GEAR			
3	+	A146-000000	1	WEIGHT			
4	+	V452-000610	1	COIL SPRING			
5	+	C603-000240	1	PLATE			
6	+	91449-04006	1	SCREW, TAPPING			
7		V623-000030	2	ROLLER	5"L29.8		
8		A600-000001	2	LIFTER			
9		V303-000220	1	WASHER	T0.3		
10		A607-000010	2	PUSH ROD			
11		A136-000010	1	CAM GEAR COVER			
12		V109-000110	1	GASKET			
13		V202-000350	5	BOLT-SPW	M4-14		
14		V253-000540	1	SCREW			
15		V303-000120	1	COLLAR	5.5,10 T=2		
16		A603-000040	1	INTAKE VALVE			
17		A603-000050	1	EXHAUST VALVE			
18		A606-000040	2	RETAINER			
19		V392-000030	2	PLATE			
20		A604-000010	2	VALVE SPRING			
21		A610-000050	2	ROCKER ARM ASSY			
22	+	A610-000060	2	ROCKER ARM			
23	+	A613-000010	2	ADJUST SCREW			
24	+	V263-000230	2	NUT			
25		V623-000040	1	ROLLER	NTN F5*31.8		
26		A137-000020	1	ROCKER ARM COVER			

5. VALVE



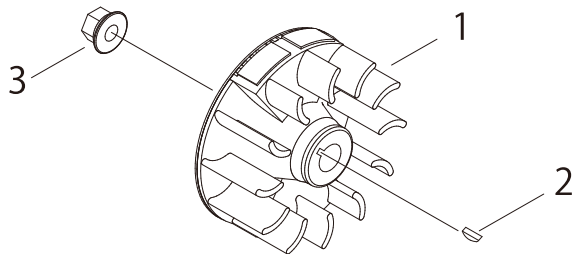
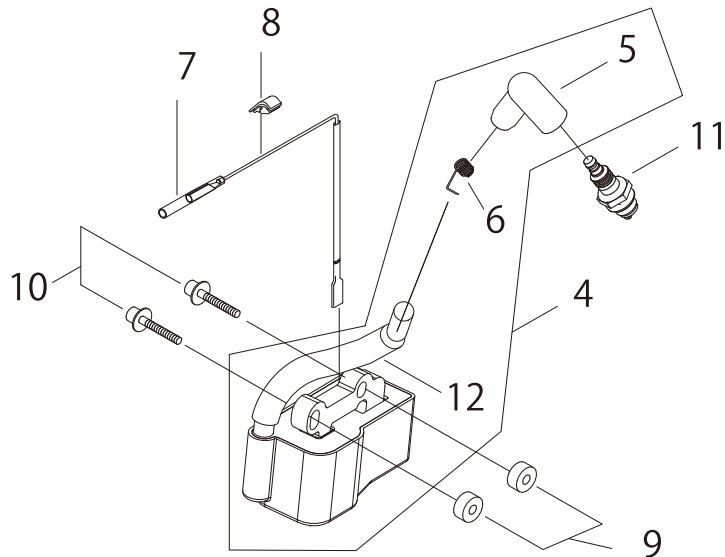
KEY	LV	PART NUMBER	Q'TY	DESCRIPTION	REMARKS	NOTE1	NOTE2
27		V109-000120	1	GASKET			
28		V202-000350	3	BOLT-SPW	M4-14		

6. CLUTCH



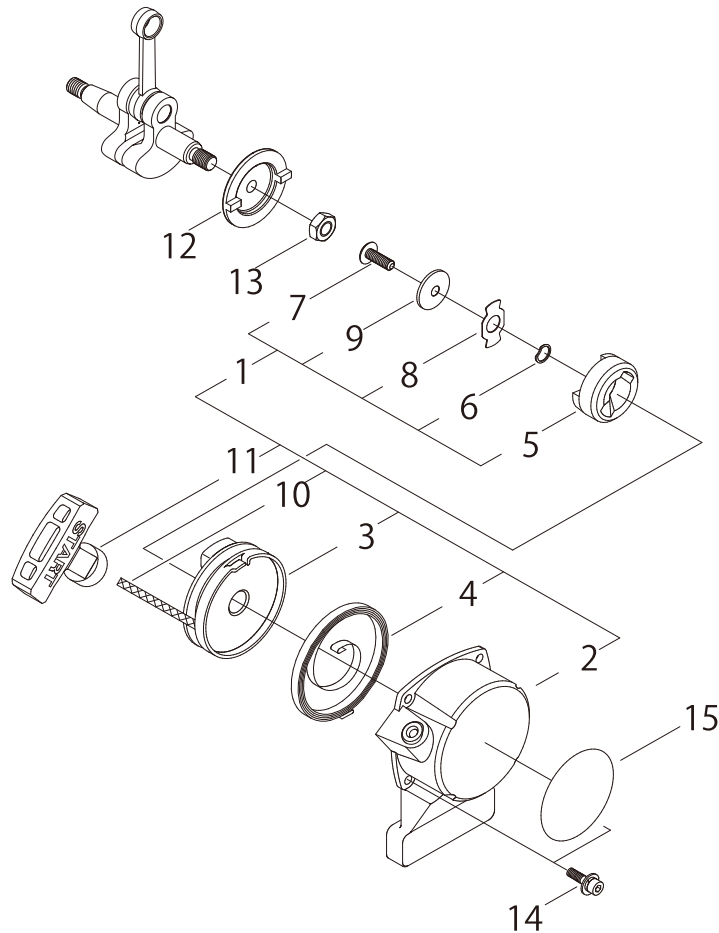
KEY	LV	PART NUMBER	Q'TY	DESCRIPTION	REMARKS	NOTE1	NOTE2
1		A056-000520	1	CLUTCH SET			
2	+	A056-000530	1	CLUTCH ASY			
3	++	A553-000060	2	CLUTCH SHOE			
4	++	A566-000200	1	COIL SPRING			
5	+	A557-000040	2	BOLT			
6	+	V346-000040	2	SPRING PLATE			
7	+	V304-000150	2	WASHER			

7. MAGNETO



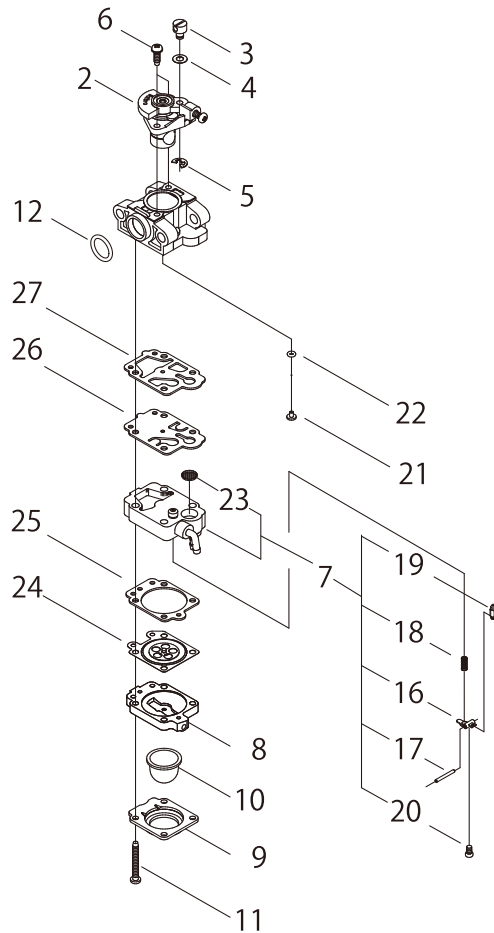
KEY	LV	PART NUMBER	Q'TY	DESCRIPTION	REMARKS	NOTE1	NOTE2
1		A409-000740	1	ROTOR			
2		93115-03010	1	KEY	3*10		
3		V265-000140	1	NUT			
4		A411-000890	1	COIL ASSY			
5	+	A427-000110	1	PLUG CAP			
6	+	A426-000070	1	COIL SPRING			
12	+	V475-005160	1	TUBE			
7		V485-001910	1	LEAD WIRE			
8		V136-000100	1	GROMMET			
9		V322-000040	2	INSULATOR			
10		V202-000360	2	BOLT-SLPW	M4*26		
11		A425-000040	1	SPARKPLUG	NGK CMR5H		

8. RECOIL STARTER



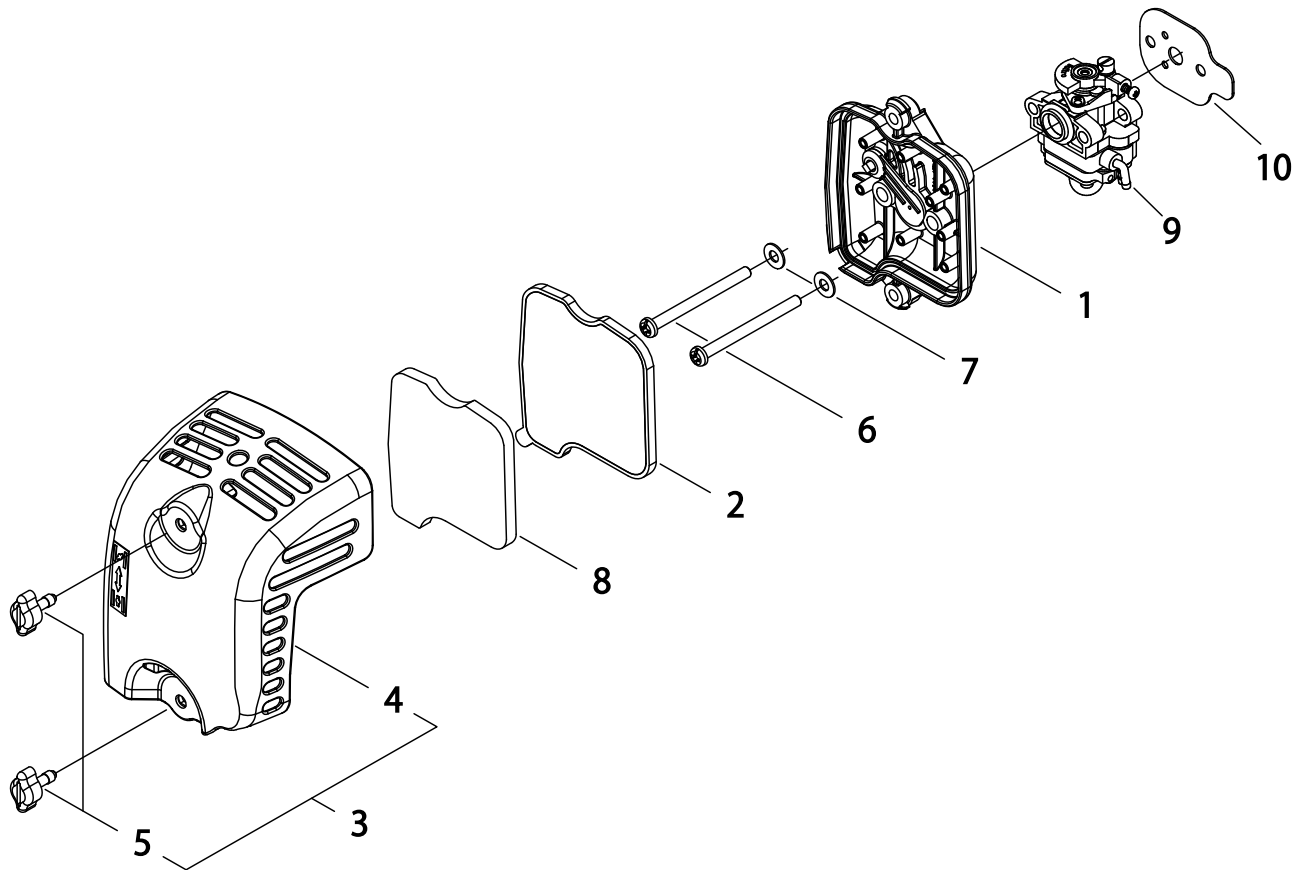
KEY	LV	PART NUMBER	Q'TY	DESCRIPTION	REMARKS	NOTE1	NOTE2
1		A051-001491	1	STARTER,RECOIL			
2	+	A500-000620	1	STARTER CASE			
3	+	A506-000130	1	REEL			
4	+	A504-000050	1	RECOIL SPRING			
5	+	A518-000020	1	DOG			
6	+	V346-000030	1	WAVE WASHER			
7	+	V253-000260	1	SCREW			
8	+	A606-000000	1	RETAINER			
9	+	V303-000110	1	WASHER			
10	+	A509-000060	1	ROPE			
11	+	A511-000090	1	KNOB			
12		A520-000080	1	STARTER PULLEY			
13		900503-00008	1	NUT	3N8*P1.0		
14		V202-000300	2	BOLT SLPW			
15		X504-003080	1	LABEL TRADE			

9. CARBURETOR



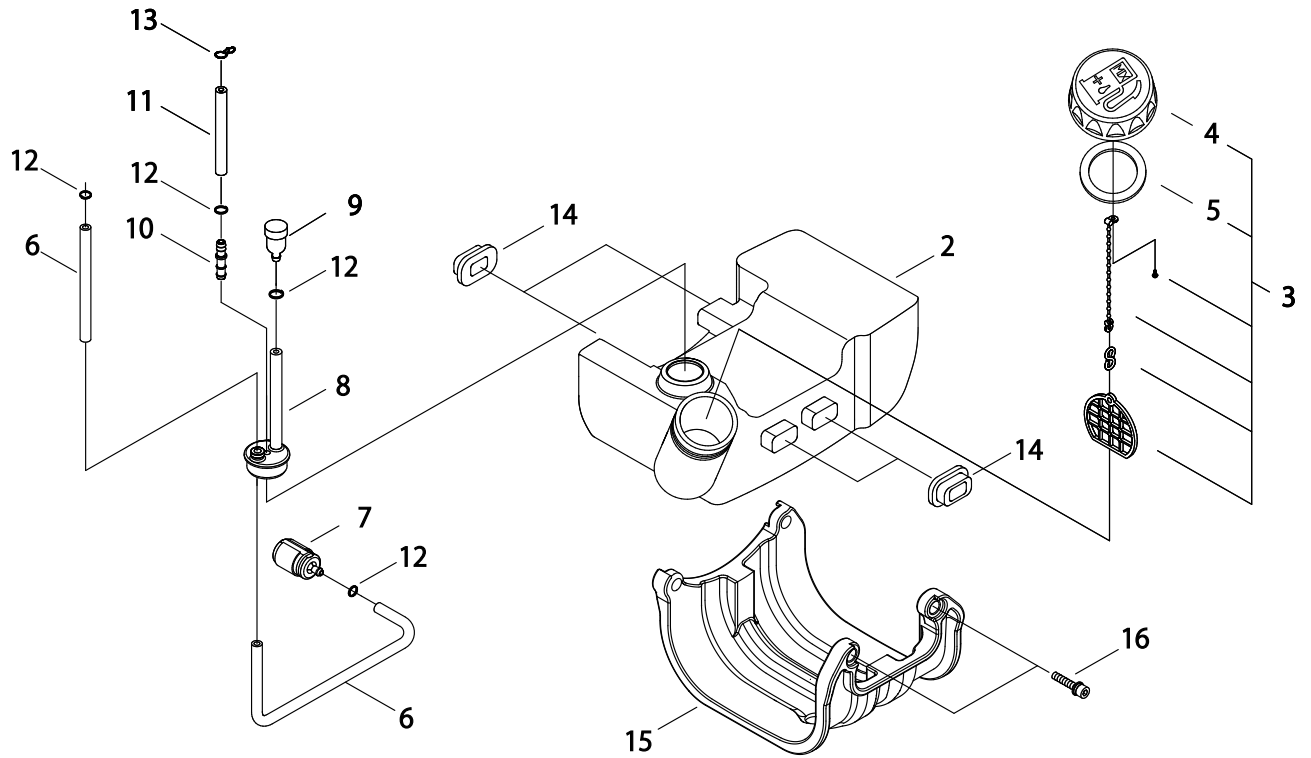
KEY	LV	PART NUMBER	Q'TY	DESCRIPTION	REMARKS	NOTE1	NOTE2
		A021-002740	1	CARBURETOR ASSY			
2	+	P003-003950	1	VALVE, THROTTLE			
3	+	123172-45130	1	SWIVEL			
4	+	123149-54230	1	WASHER			
5	+	123173-07930	1	CLIP			
6	+	123114-44330	2	SCREW			
7	+	P003-000510	1	BODY ASSEMBLY, PUMP			
16	++	123123-03930	1	LEVER, METERING			
17	++	123138-03930	1	PIN, METERING LEVER			
18	++	123122-05560	1	SPRING, METER. LEVER			
19	++	123137-19830	1	VALVE, INLET NEEDLE			
20	++	123139-05560	1	SCREW, M. LEVER PIN			
23	++	123126-10631	1	SCREEN, INLET			
8	+	123180-05560	1	BODY, AIR PURGE			
9	+	123142-05560	1	COVER, PRIMER PUMP			
10	+	123181-40630	1	PUMP, PRIMER			
11	+	123110-05560	4	SCREW, PUMP COVER			
12	+	900720-00015	1	O-RING 15	P-15		
21	+	P003-003440	1	MAIN JET			
22	+	123183-40630	1	O-RING			
24	+	P003-000090	1	METERING, DIAPHRAGM			
25	+	123140-05560	1	GASKET, M. DIAPHRAGM			
26	+	123112-40630	1	DIAPHRAGM, PUMP			
27	+	123125-40630	1	GASKET, PUMP			

10. AIR CLEANER



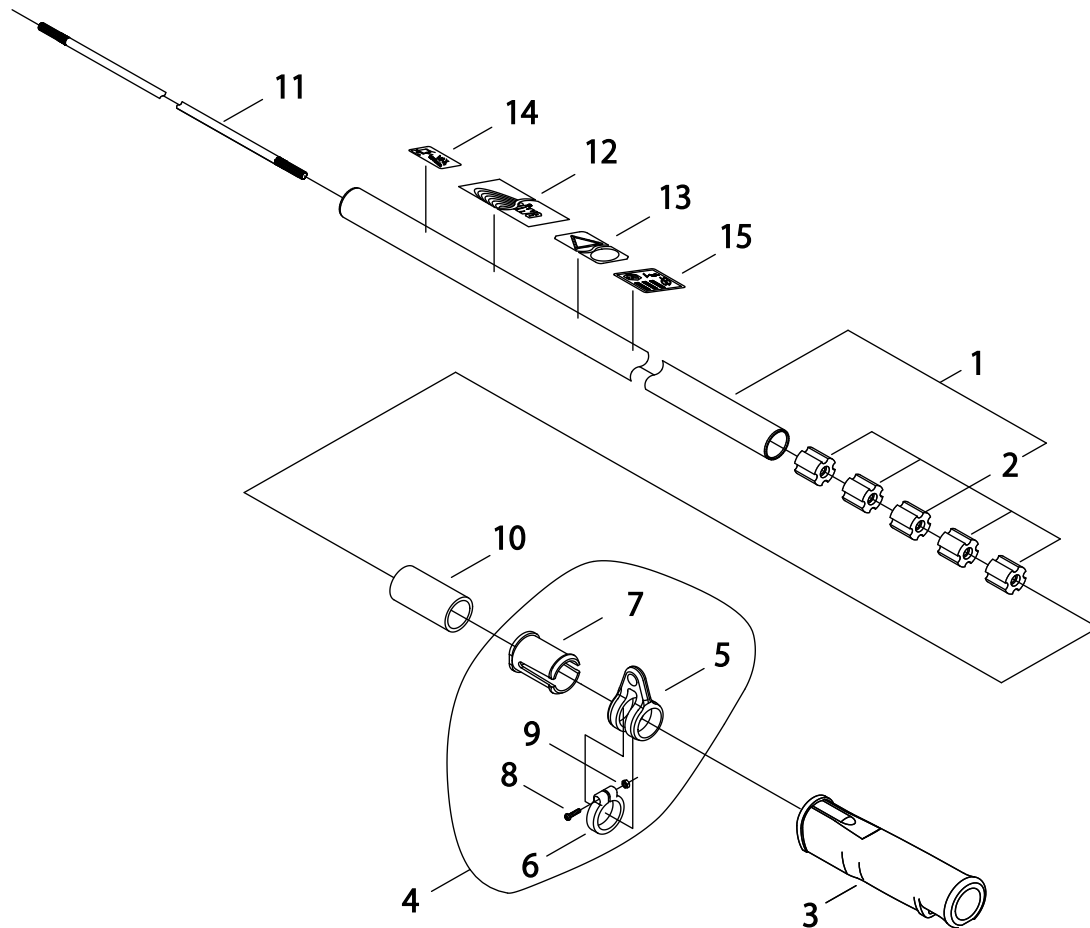
KEY	LV	PART NUMBER	Q'TY	DESCRIPTION	REMARKS	NOTE1	NOTE2
1		A023-000300	1	CASE,CLEANER			
2		A226-000690	1	FILTER			
3		P021-028521	1	CLEANER COVER ASSY			
4	+	A232-000901	1	LID,CLEANER			
5	+	V299-000400	2	KNOB			
6		91581-05060	2	SCREW,PM			
7		900603-00005	2	WASHER 5	5.5*12*0.8		
8		A226-000700	1	PREFILTER			
9		A021-002740	1	CARBURETOR ASSY			
10		V103-001140	1	GASKET			

11. FUEL TANK



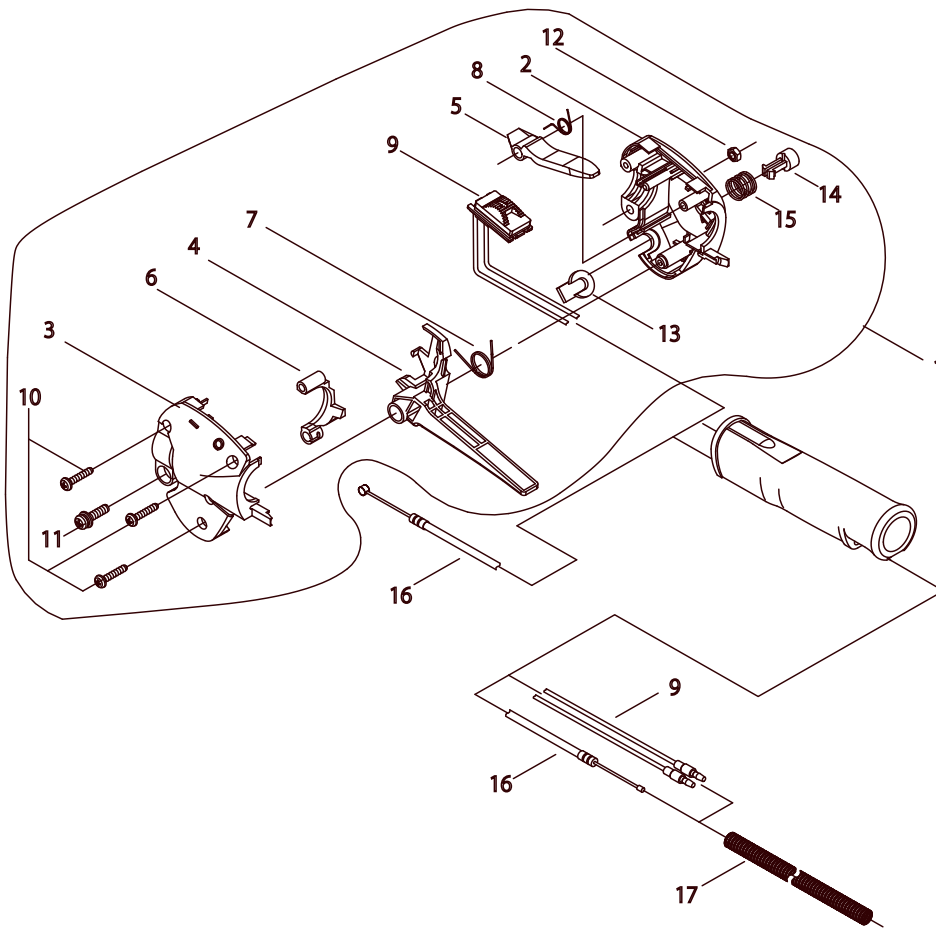
KEY	LV	PART NUMBER	Q'TY	DESCRIPTION	REMARKS	NOTE1	NOTE2
2		A350-001020	1	FUEL TANK			
3		A033-000330	1	CAP,FUEL			
4	+	A355-000180	1	FUEL CAP			
5	+	V107-000010	1	GASKET			
6		V471-002350	1	PIPE			
7		A369-000070	1	FUEL FILTER			
8		V470-000880	1	GROMMET			
9		A356-000050	1	VALVE,CHECK			
10		V186-000210	1	JOINT			
11		V471-002360	1	PIPE			
12		V490-000500	4	CLIP			
13		V490-000510	1	CLIP			
14		V420-002220	4	TANK CUSHION			
15		A175-000220	1	TANK GUARD			
16		V203-000350	2	BOLT SPW			

12. MAIN PIPE



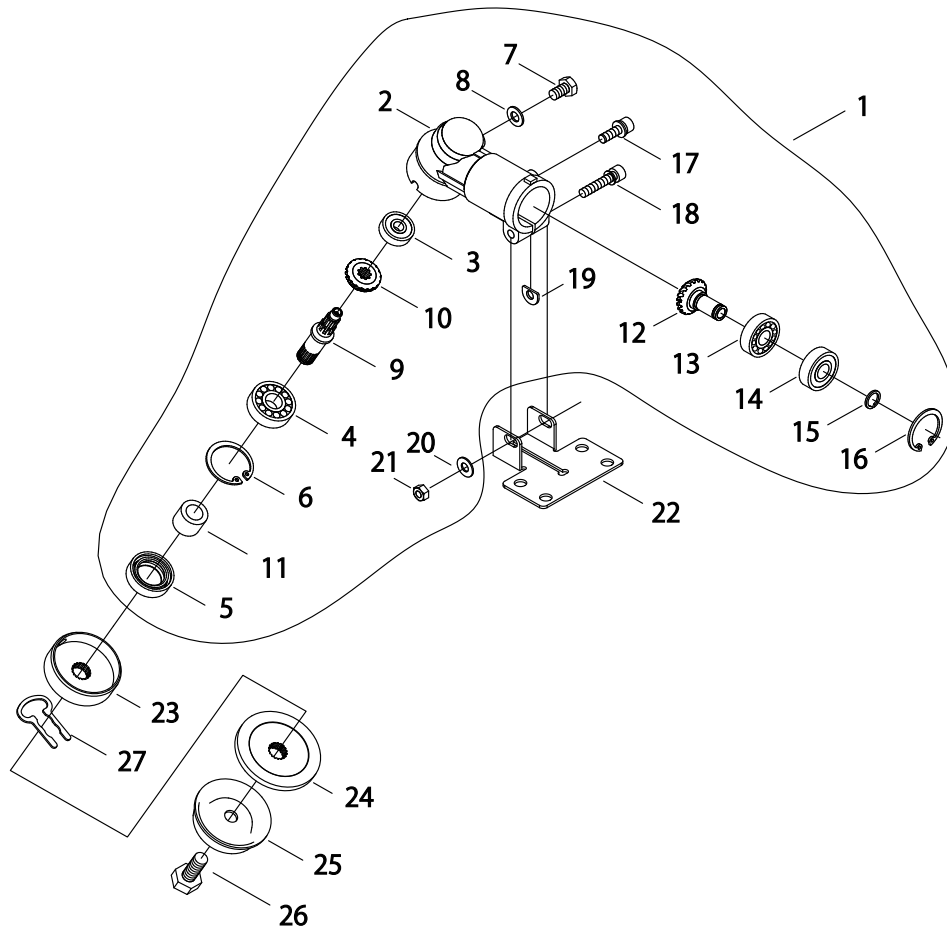
KEY	LV	PART NUMBER	Q'TY	DESCRIPTION	REMARKS	NOTE1	NOTE2
1		C050-002080	1	PIPE, MAIN			
2	+	C501-000010	5	BUSH			
3		C412-000260	1	GRIP			
4		C063-000000	1	HANGER ASSY			
5	+	C670-000060	1	HANGER			
6	+	V495-001330	1	CLAMP			
7	+	V363-000110	1	COLLAR			
8	+	91578-04016	1	SCREW PM			
9	+	900500-00004	1	NUT 4	4		
10		V363-000120	1	PROTECTOR			
11		C504-000500	1	MAIN SHAFT			
12		X504-002780	1	LABEL TRADE			
13		X505-003130	1	LABEL CAUTION			
14		X517-000140	1	LABEL CAUTION			
15		X508-000270	1	LABEL DECIBEL			

13. THROTTLE LEVER



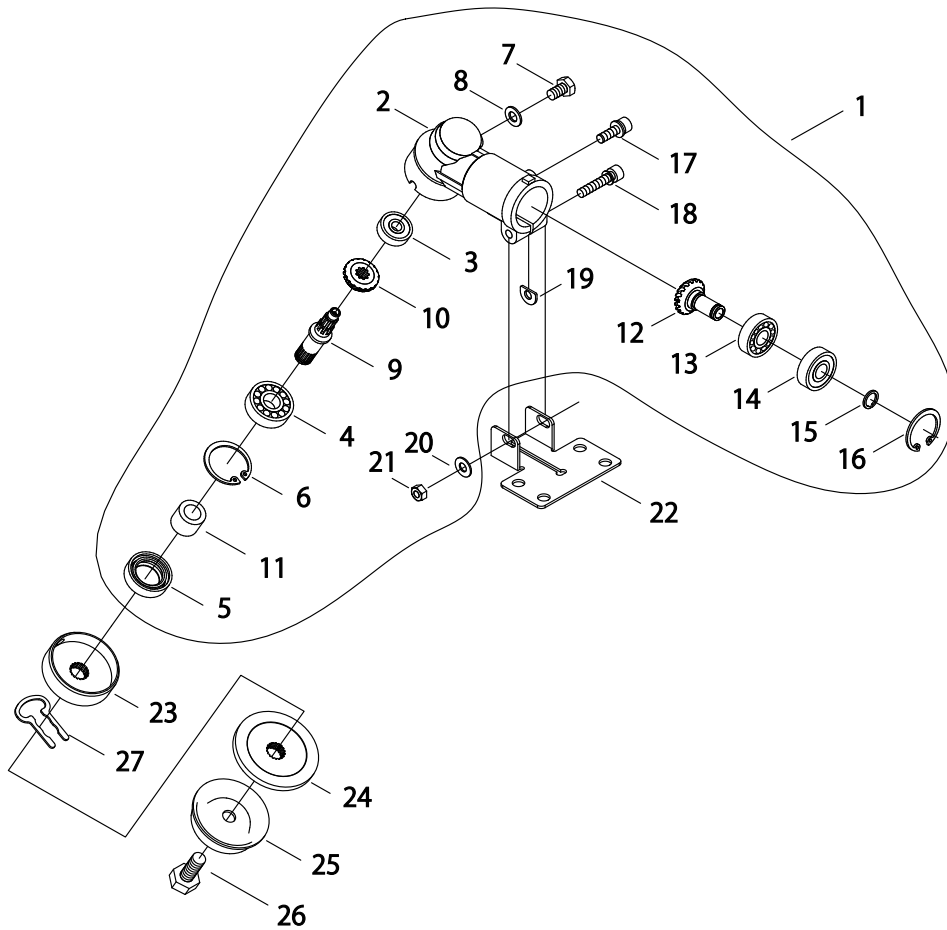
KEY	LV	PART NUMBER	Q'TY	DESCRIPTION	REMARKS	NOTE1	NOTE2
1		C044-001100	1	THROTTLE LEVER ASSY			
2	+	C401-000200	1	BODY RIGHT			
3	+	C401-000150	1	BODY LEFT			
4	+	C450-000480	1	LEVER			
5	+	C460-000190	1	LOCK LEVER			
6	+	C461-000020	1	HOLDER			
7	+	V452-000700	1	COIL SPRING			
8	+	V452-000500	1	COIL SPRING			
9	+	A440-001570	1	SWITCH			
10	+	V252-000380	3	SCREW TAPPING			
11	+	91575-05020	1	SCREW PM SPW			
12	+	92017-05000	1	NUT	M5		
13	+	V162-000350	1	PLUG			
14	+	C461-000080	1	BUTTON			
15	+	V450-001010	1	COIL SPRING			
16		V430-003250	1	THROTTLE CABLE			
17		V475-004470	1	TUBE			

14. GEAR CASE



KEY	LV	PART NUMBER	Q'TY	DESCRIPTION	REMARKS	NOTE1	NOTE2
1		C051-000680	1	GEAR CASE SUB ASSY			
2	+	C531-000710	1	GEAR CASE			
3	+	900812-00626	1	BEARING, BALL	626LLU		
4	+	900800-06000	1	BEARING, BALL 6000	6000		
5	+	V509-000000	1	OIL SEAL			
6	+	92424-26000	1	SNAP RING			
7	+	91030-06010	1	BOLT			
8	+	V304-000180	1	GASKET			
9	+	C534-000680	1	GEAR SHAFT			
10	+	V651-000690	1	BEVEL GEAR			
11	+	V356-000480	1	COLLAR			
12	+	V651-000700	1	PINION SET			
13	+	900800-00608	1	BEARING, BALL 608	608		
14	+	900804-00608	1	BEARING, BALL 608	608ZZ		
15	+	92411-08000	1	RING	WR-8		
16	+	92424-22000	1	SNAP RING			
17	+	V203-000590	1	BOLT SPW			
18	+	V203-000600	1	BOLT SPW			
19	+	V340-000300	1	SHIM			
20	+	900603-00005	1	WASHER 5	5.5*12*0.8		
21	+	900500-00005	1	NUT 5	5		
22		C551-000150	1	LOWER CLAMP			
23		C535-000510	1	HOLDER A			
24		C535-000680	1	HOLDER			
25		C535-000690	1	BOLT GUARD			
26		V216-000040	1	BOLT			

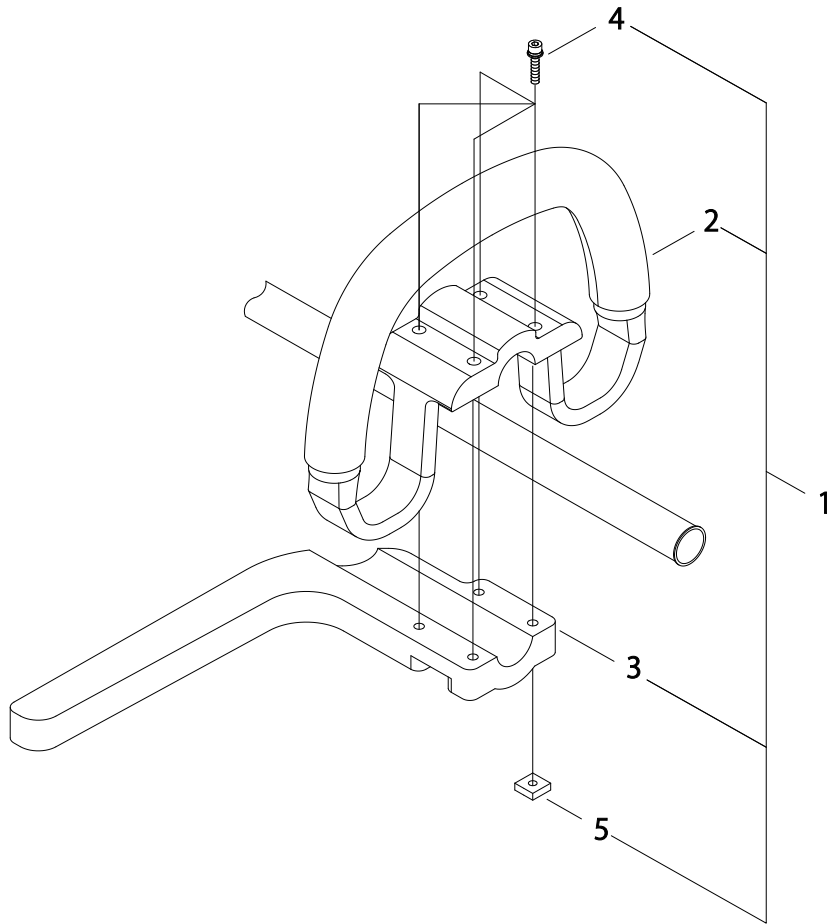
14. GEAR CASE



KEY	LV	PART NUMBER	Q'TY	DESCRIPTION	REMARKS	NOTE1	NOTE2
27		V490-000530	1	SLIDE CLIP			

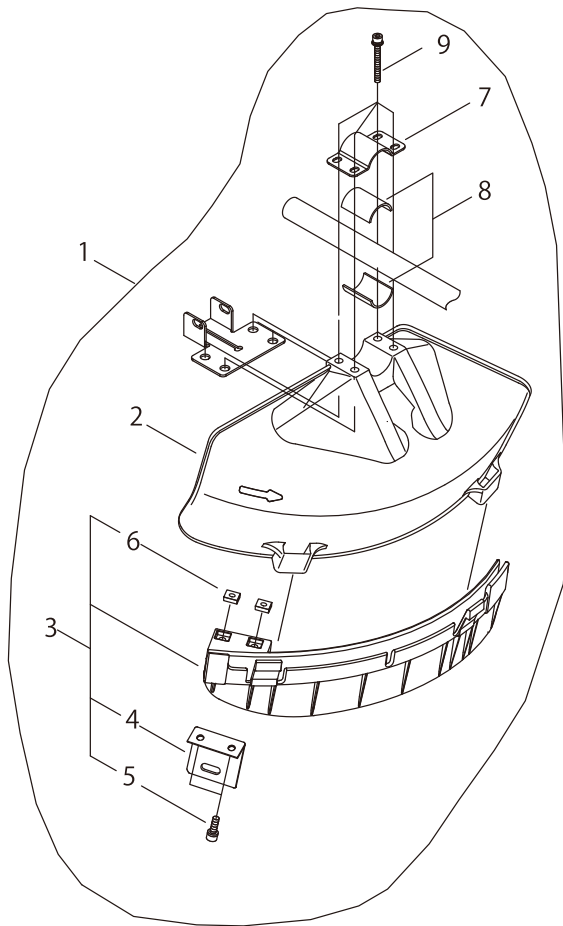


15. HANDLE



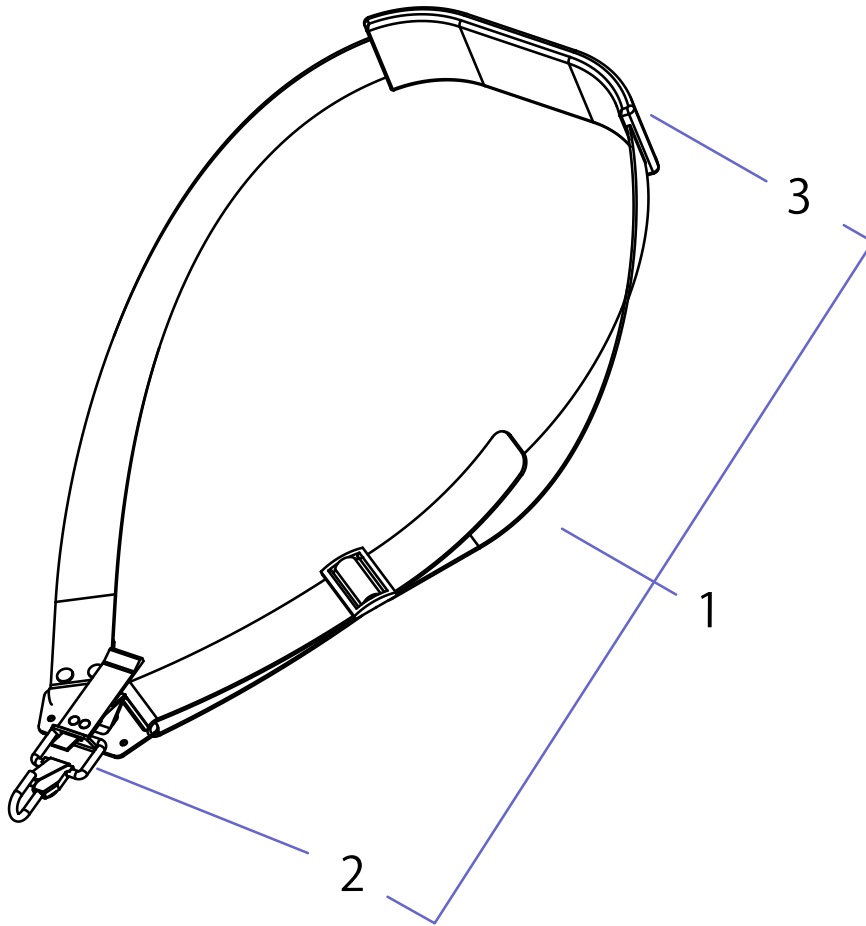
KEY	LV	PART NUMBER	Q'TY	DESCRIPTION	REMARKS	NOTE1	NOTE2
1		P021-027530	1	HANDLE ASSY			
2	+	C400-000630	1	HANDLE			
3	+	C405-000400	1	BARRIER			
4	+	V203-000600	4	BOLT SPW			
5	+	V263-000130	4	NUT			

16. BLADE COVER



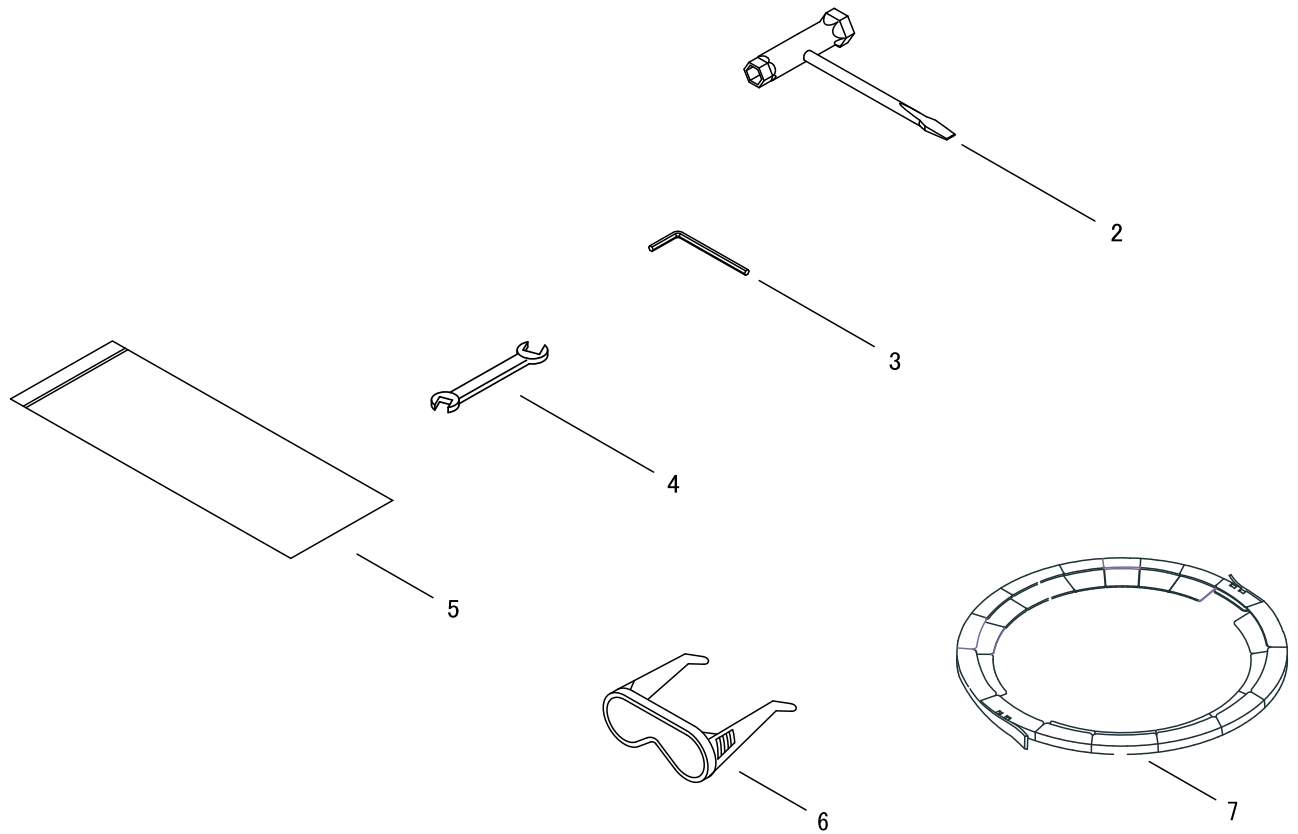
KEY	LV	PART NUMBER	Q'TY	DESCRIPTION	REMARKS	NOTE1	NOTE2
1		P021-028900	1	GUARD SET			
2	+	C550-000430	1	GUARD			
3	+	P021-028450	1	SUB GUARD ASSY			
4	++	C554-000040	1	CUTTER			
5	++	V203-000720	2	BOLT SW			
6	++	V263-000130	2	NUT			
7	+	C551-000060	1	UPPER CLAMP			
8	+	V375-000340	2	SPACER			
9	+	V203-000610	4	BOLT SPW			

17. HARNESS



KEY	LV	PART NUMBER	Q'TY	DESCRIPTION	REMARKS	NOTE1	NOTE2
1		C062-000390	1	STRAP ASSY			
2	+	C649-000200	1	HOOK			
3	+	C644-000080	1	PROTECTOR			

18. TOOLS



KEY	LV	PART NUMBER	Q'TY	DESCRIPTION	REMARKS	NOTE1	NOTE2
2	+	X602-000160	1	PLUG WRENCH			
3	+	X605-000100	1	TOOL,L WRENCH	4MM M5		
4	+	X600-000020	1	SPANNER			
5	+	X705-000100	1	BAG,PACKING	140*200*T0.08		
6		P021-002861	1	GOGGLES			
7		X495-000300	2	SCABBARD,BLADE			

Index

Patrs Number	Key No.	Patrs Number	Key No.	Patrs Number	Key No.
123110-05560	9 - 11	A011-000630	4 - 1	A553-000060	6 - 3
123112-40630	9 - 26	A021-002740	9 -	A556-000610	3 - 13
123114-44330	9 - 6	A021-002740	10 - 9	A557-000040	6 - 5
123122-05560	9 - 18	A023-000300	10 - 1	A566-000200	6 - 4
123123-03930	9 - 16	A024-000050	1 - 4	A575-000190	3 - 15
123125-40630	9 - 27	A030-000342	2 - 1	A600-000001	5 - 8
123126-10631	9 - 23	A033-000330	11 - 3	A603-000040	5 - 16
123137-19830	9 - 19	A051-001491	8 - 1	A603-000050	5 - 17
123138-03930	9 - 17	A056-000520	6 - 1	A604-000010	5 - 20
123139-05560	9 - 20	A056-000530	6 - 2	A606-000000	8 - 8
123140-05560	9 - 25	A063-000000	5 - 1	A606-000040	5 - 18
123142-05560	9 - 9	A100-000710	4 - 5	A607-000010	5 - 10
123149-54230	9 - 4	A101-000390	4 - 6	A610-000050	5 - 21
123172-45130	9 - 3	A123-000000	3 - 5	A610-000060	5 - 22
123173-07930	9 - 5	A136-000010	5 - 11	A613-000010	5 - 23
123180-05560	9 - 8	A137-000020	5 - 26	A622-000000	5 - 2
123181-40630	9 - 10	A146-000000	5 - 3	C044-001100	13 - 1
123183-40630	9 - 22	A160-001861	3 - 20	C050-002080	12 - 1
900105-05016	1 - 2	A172-001830	3 - 10	C051-000680	14 - 1
900105-05016	2 - 8	A175-000220	11 - 15	C062-000390	17 - 1
900105-05016	3 - 18	A200-000750	3 - 1	C063-000000	12 - 4
900500-00004	12 - 9	A209-000250	1 - 6	C400-000630	15 - 2
900500-00005	14 - 21	A209-000260	1 - 7	C401-000150	13 - 3
900503-00008	8 - 13	A211-000030	3 - 2	C401-000200	13 - 2
900600-00005	2 - 9	A212-000040	3 - 3	C405-000400	15 - 3
900603-00005	10 - 7	A226-000690	10 - 2	C412-000260	12 - 3
900603-00005	14 - 20	A226-000700	10 - 8	C450-000480	13 - 4
900720-00015	9 - 12	A232-000901	10 - 4	C460-000190	13 - 5
900800-00608	14 - 13	A300-001251	2 - 2	C461-000020	13 - 6
900800-06000	14 - 4	A310-000390	2 - 3	C461-000080	13 - 14
900804-00608	14 - 14	A313-001391	2 - 4	C486-000030	1 - 11
900804-06000	3 - 11	A350-001020	11 - 2	C501-000010	12 - 2
900812-00626	14 - 3	A355-000180	11 - 4	C504-000500	12 - 11
91030-06010	14 - 7	A356-000050	11 - 9	C531-000710	14 - 2
91341-03010	3 - 4	A369-000070	11 - 7	C534-000680	14 - 9
91449-04006	5 - 6	A409-000740	7 - 1	C535-000510	14 - 23
91572-04006	2 - 5	A411-000890	7 - 4	C535-000680	14 - 24
91575-05020	13 - 11	A425-000040	7 - 11	C535-000690	14 - 25
91578-04016	12 - 8	A426-000070	7 - 6	C550-000430	16 - 2
91581-05060	10 - 6	A427-000110	7 - 5	C551-000060	16 - 7
91582-05022	1 - 9	A429-000140	3 - 21	C551-000150	14 - 22
92017-05000	13 - 12	A440-001570	13 - 9	C554-000040	16 - 4
92018-06000	1 - 12	A500-000620	8 - 2	C603-000240	5 - 5
92411-08000	14 - 15	A504-000050	8 - 4	C644-000080	17 - 3
92424-22000	14 - 16	A506-000130	8 - 3	C649-000200	17 - 2
92424-26000	3 - 12	A509-000060	8 - 10	C670-000060	12 - 5
92424-26000	14 - 6	A511-000090	8 - 11	P003-000090	9 - 24
92424-40000	3 - 16	A518-000020	8 - 5	P003-000510	9 - 7
93115-03010	7 - 2	A520-000080	8 - 12	P003-003440	9 - 21

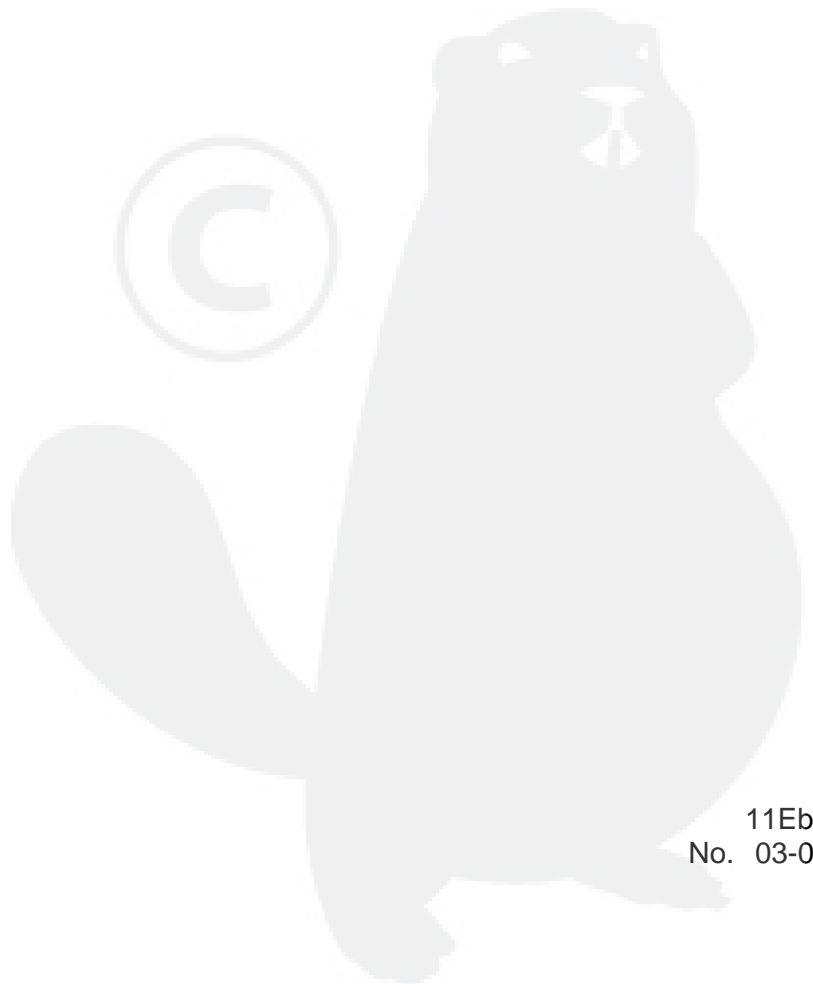
Index

Patrs Number	Key No.	Patrs Number	Key No.	Patrs Number	Key No.
P003-003950	9 - 2	V304-000180	14 - 8	X602-000160	18 - 2
P021-002861	18 - 6	V322-000040	7 - 9	X605-000100	18 - 3
P021-027390	1 - 1	V340-000300	14 - 19	X705-000100	18 - 5
P021-027520	3 - 8	V346-000030	8 - 6		
P021-027530	15 - 1	V346-000040	6 - 6		
P021-028300	3 - 9	V356-000480	14 - 11		
P021-028450	16 - 3	V363-000110	12 - 7		
P021-028521	10 - 3	V363-000120	12 - 10		
P021-028900	16 - 1	V375-000340	16 - 8		
P021-033930	4 - 4	V392-000020	4 - 10		
V103-001130	1 - 8	V392-000030	5 - 19		
V103-001140	10 - 10	V420-002220	11 - 14		
V104-001431	2 - 6	V430-003250	13 - 16		
V107-000010	11 - 5	V450-001010	13 - 15		
V109-000100	3 - 6	V452-000500	13 - 8		
V109-000110	5 - 12	V452-000610	5 - 4		
V109-000120	5 - 27	V452-000700	13 - 7		
V136-000100	7 - 8	V470-000880	11 - 8		
V152-002250	1 - 10	V471-002350	11 - 6		
V162-000350	13 - 13	V471-002360	11 - 11		
V186-000210	11 - 10	V475-004470	13 - 17		
V202-000300	3 - 22	V475-005160	7 - 12		
V202-000300	8 - 14	V485-001260	1 - 5		
V202-000340	3 - 7	V485-001910	7 - 7		
V202-000350	5 - 13	V490-000500	11 - 12		
V202-000350	5 - 28	V490-000510	11 - 13		
V202-000360	7 - 10	V490-000530	14 - 27		
V203-000350	11 - 16	V495-001330	12 - 6		
V203-000590	14 - 17	V505-000020	4 - 2		
V203-000600	14 - 18	V505-000120	4 - 3		
V203-000600	15 - 4	V509-000000	14 - 5		
V203-000610	3 - 19	V554-000010	4 - 9		
V203-000610	16 - 9	V580-000090	4 - 8		
V203-000620	3 - 17	V583-000160	3 - 14		
V203-000720	16 - 5	V607-000040	4 - 7		
V203-001000	2 - 7	V622-000040	1 - 3		
V216-000040	14 - 26	V623-000030	5 - 7		
V252-000380	13 - 10	V623-000040	5 - 25		
V253-000260	8 - 7	V651-000690	14 - 10		
V253-000540	5 - 14	V651-000700	14 - 12		
V263-000130	15 - 5	X495-000300	18 - 7		
V263-000130	16 - 6	X504-002160	3 - 23		
V263-000230	5 - 24	X504-002530	3 - 24		
V265-000140	7 - 3	X504-002780	12 - 12		
V299-000400	10 - 5	X504-003080	8 - 15		
V303-000110	8 - 9	X505-003130	12 - 13		
V303-000120	5 - 15	X508-000270	12 - 15		
V303-000220	5 - 9	X517-000140	12 - 14		
V304-000150	6 - 7	X600-000020	18 - 4		

YAMABIKO CORPORATION

7-2 SUEHIROCHO 1-CHOME, OHME, TOKYO 198-8760, JAPAN
PHONE: 81-428-32-6118. FAX: 81-428-32-6145.

shindaiwa[®]



11Eb
No. 03-037