

Shindaiwa Illustrated Parts List

T530 EC1 Trimmer

CYLINDER / MUFFLER	2
CRANKCASE / JOINT ASSEMBLY	3
PISTON / CRANKSHAFT / CLUTCH SHOE	4
ROTOR / COIL ASSEMBLY	5
CARBURETOR / CLEANER	6 - 7
RECOIL STARTER / STARTER PULLEY	8
FUEL TANK	9
OUTER PIPE / MAIN SHAFT	10
GEARCASE	11
HANDLE ASSEMBLY	12
GUARD SET / HARNESS	13
TOOL SET	14
BLADE COVER	14

www.shindaiwa.com

11975 SW Herman Road

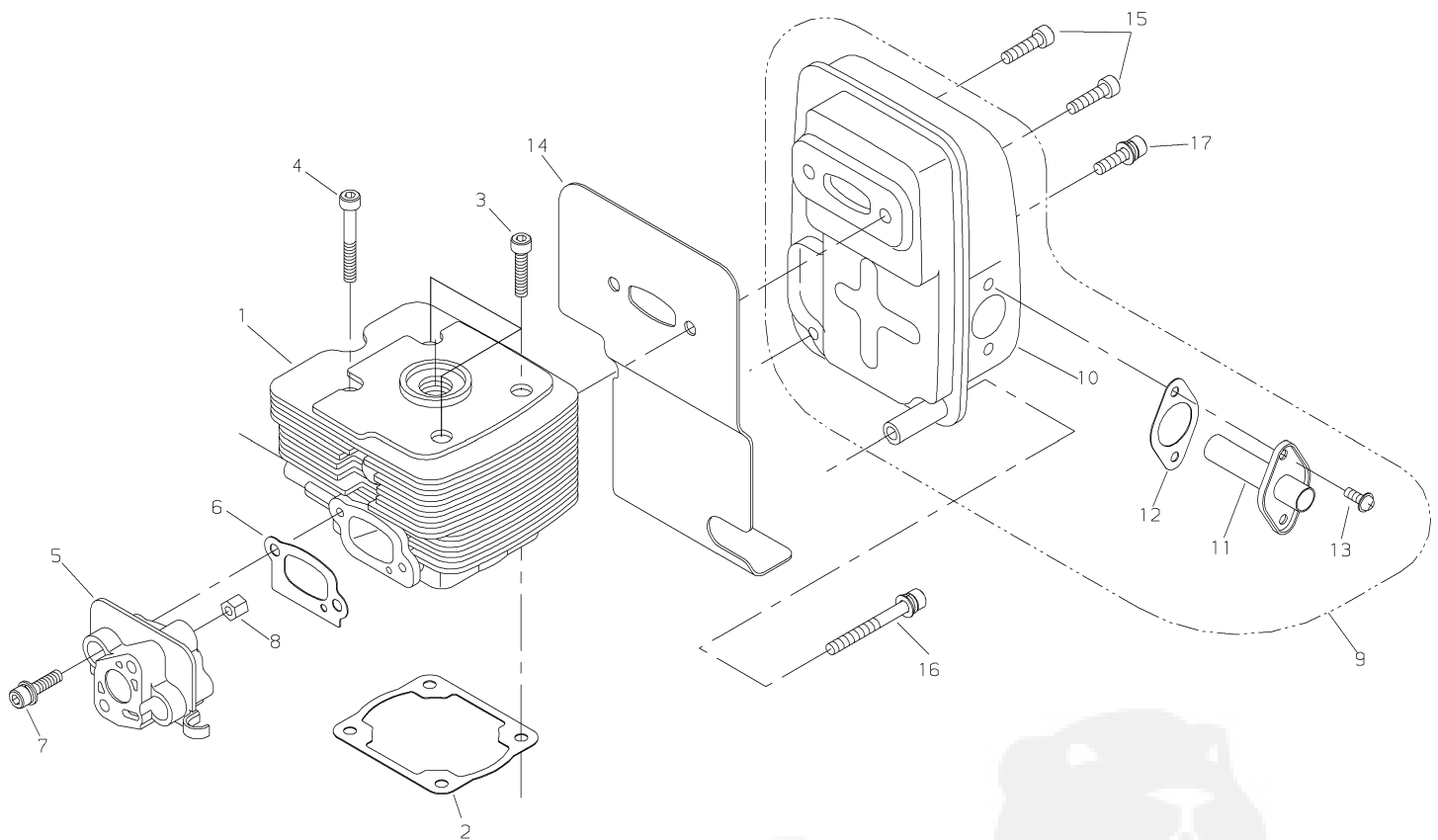
Tualatin, Oregon 97062, U.S.A.

1 + 503.692.3070 • fax 1 + 503.692.6696 •

shindaiwa

CYLINDER / MUFFLER

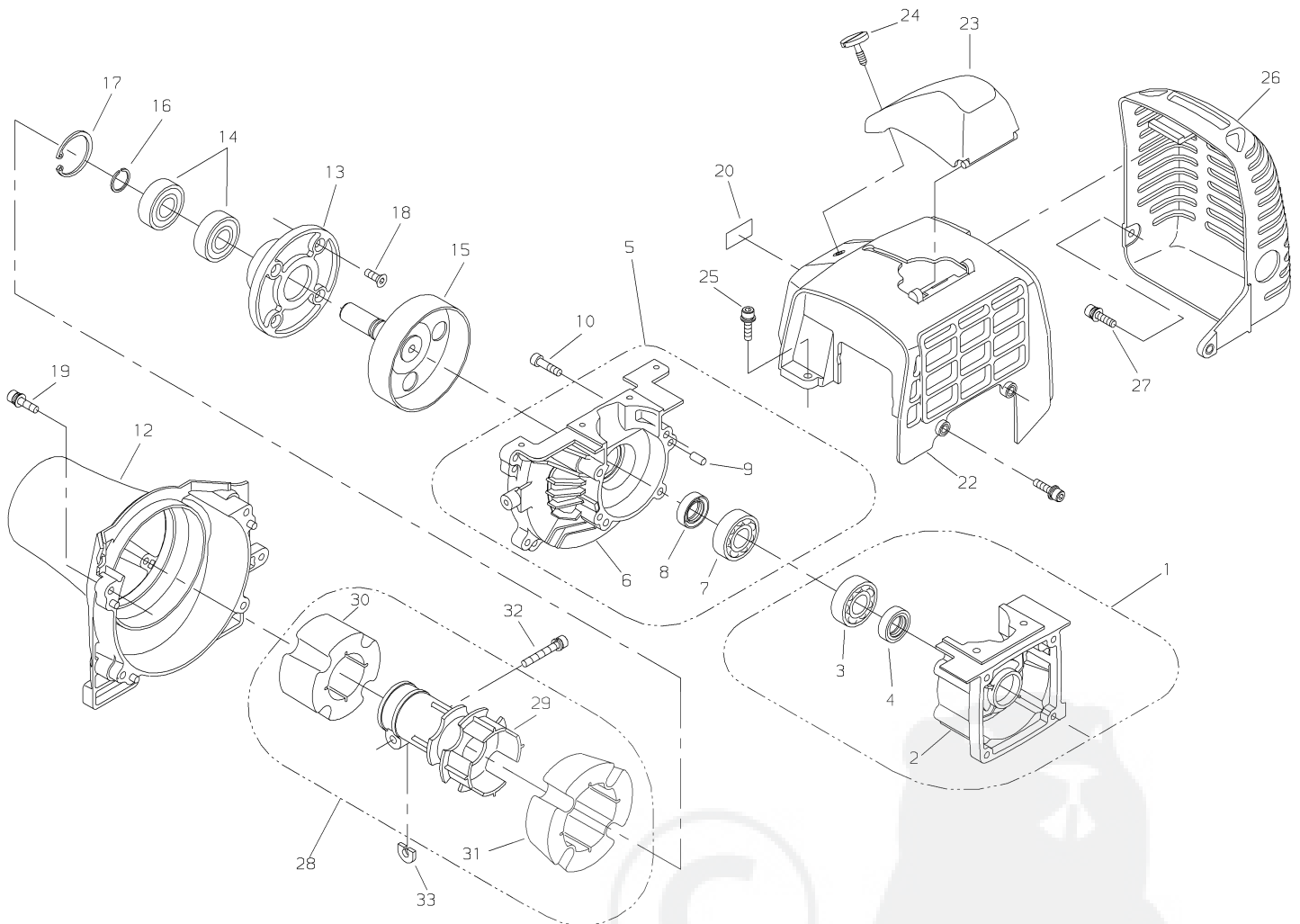
ILLUSTRATION 1 - REV 7/05



Ref. No	Part No.	Part Name	Q'ty
1-1	62035-12111	CYLINDER	1
2	62035-12120	GASKET CYLINDER	1
3	01020-05250	BOLT	3
4	01020-05350	BOLT	1
5	62035-12210	INSULATOR	1
6	62035-12220	GASKET	1
7	11022-05300	BOLT SW	2
8	20024-12260	NUT	2
9	62035-15012	MUFFLER ASSY.	1
10	62035-15111	*MUFFLER	1
11	62035-15140	*TAIL PIPE	1
12	62035-15150	*GASKET	1
13	11238-04120	*SCREW PMSPW	2
14	62035-15210	GASKET MUFFLER	1
15	01020-06250	BOLT	2
16	11022-05450	BOLT SPW	1
17	11022-05160	BOLT SPW	1

CRANKCASE / JOINT ASSEMBLY

ILLUSTRATION 2 - REV 7/05



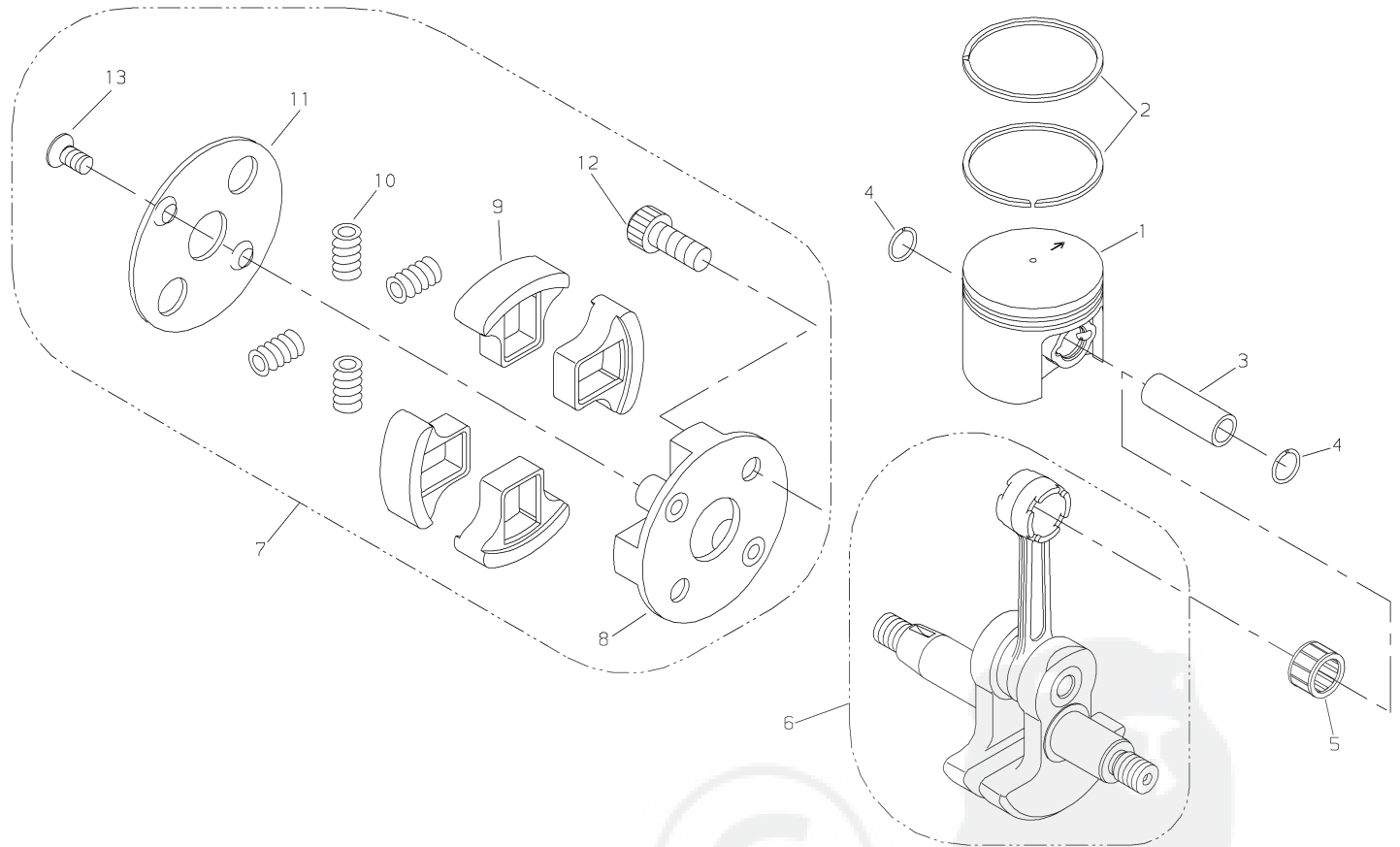
Ref. No	Part No.	Part Name	Q'ty
2-1	62035-21010	CRANKCASE S COMP.	1
2	62035-21110	*CRANKCASE S	1
3	02030-06202	*BEARING	1
4	20010-21211	*OIL SEAL	1
5	62035-21020	CRANKCASE M COMP.	1
6	62035-21210	*CRANKCASE M	1
7	02030-06202	*BEARING	1
8	20010-21211	*OIL SEAL	1
9	12492-50100	*DOWEL PIN	2
10	01020-05300	BOLT	4
12	62035-31110	FAN COVER	1
13	62035-31310	CLUTCH CASE	1
14	02006-06202	BEARING	2
15	62035-31212	CLUTCH DRUM	1
16	20011-31230	SNAP RING	1

Ref. No	Part No.	Part Name	Q'ty
17	02432-35150	SNAP RING	1
18	11260-05161	SCREW ADHEISIVE	4
19	11022-05300	BOLT SW	4
20	62035-91020	LABEL TRADE	1
22	62035-32112	CYLINDER COVER	1
23	62035-32310	PLUG COVER	1
24	62035-32320	KNOB	1
25	11022-05160	BOLT SPW	2
26	62036-32311	MUFFLER COVER	1
27	11022-05160	BOLT SPW	1
28	62035-33010	JOINT ASSY.	1
29	62035-33110	*JOINT	1
30	62035-33120	*FRONT CUSION	1
31	62035-33130	*REAR CUSION	1
32	11022-06280	BOLT SPW	1
33	20024-31460	SHIM	1

* Denotes item is part of an assembly ** Denotes item is part of a sub-assembly

PISTON / CRANKSHAFT / CLUTCH SHOE

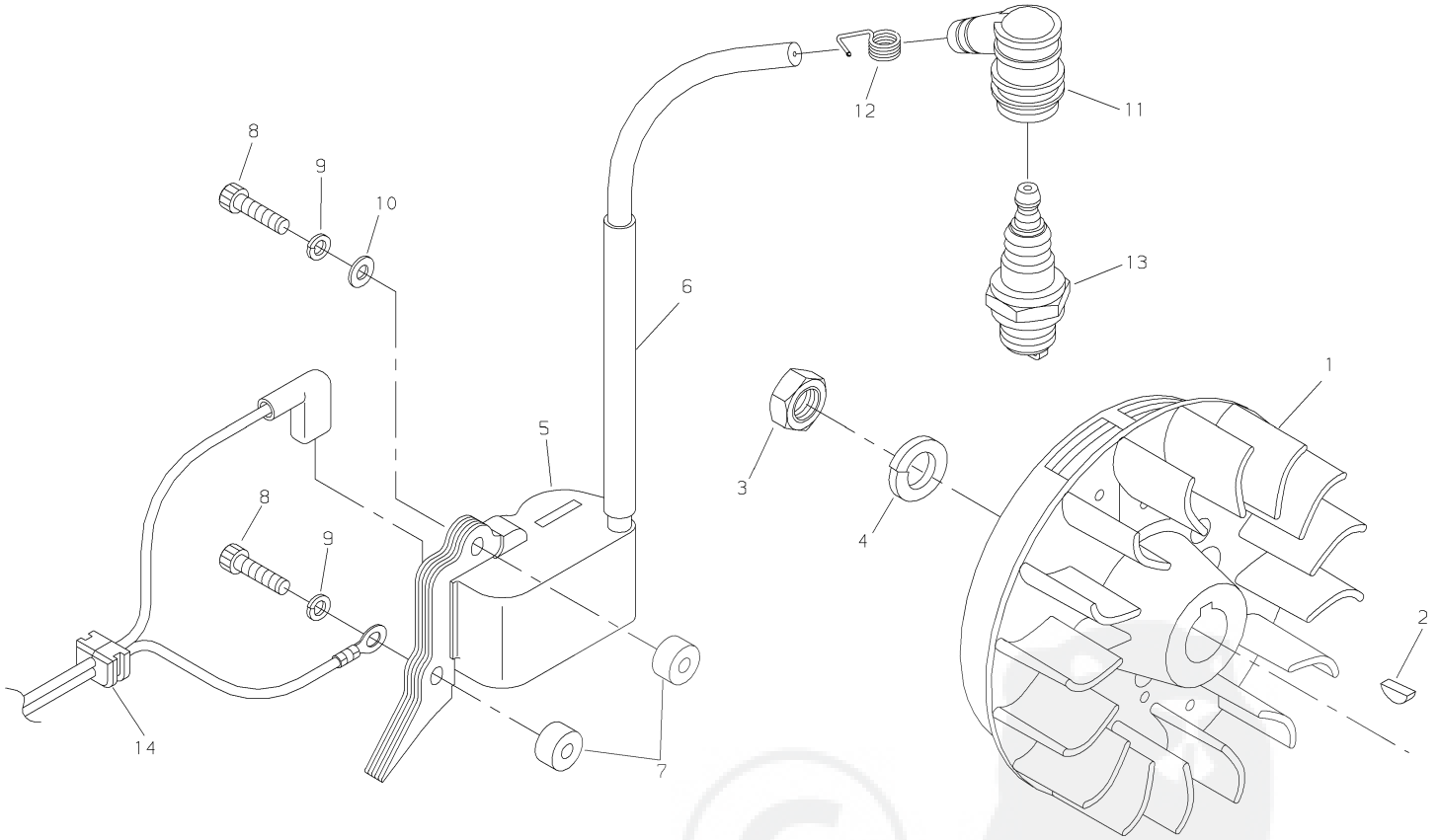
ILLUSTRATION 3 - REV 7/05



Ref. No	Part No.	Part Name	Q'ty
3-1	62035-41110	PISTON	1
2	62035-41120	PISTON RING	2
3	62035-41210	PISTON PIN	1
4	22152-41231	SNAP RING	2
5	22150-41280	NEEDLE BEARING	1
6	62035-42010	CRANKSHAFT	1
7	70210-51100	CLUTCH SHOE ASSY.	1
8	20020-51112	*CLUTCH BOSS	1
9	20020-51121	*CLUTCH SHOE	4
10	20020-51131	*SPRING	4
11	20020-51140	*PLATE	1
12	20020-51150	*CLUTCH BOLT	2
13	70210-51160	*SCREW FLAT	2

ROTOR / COIL ASSEMBLY

ILLUSTRATION 4 - REV 7/05

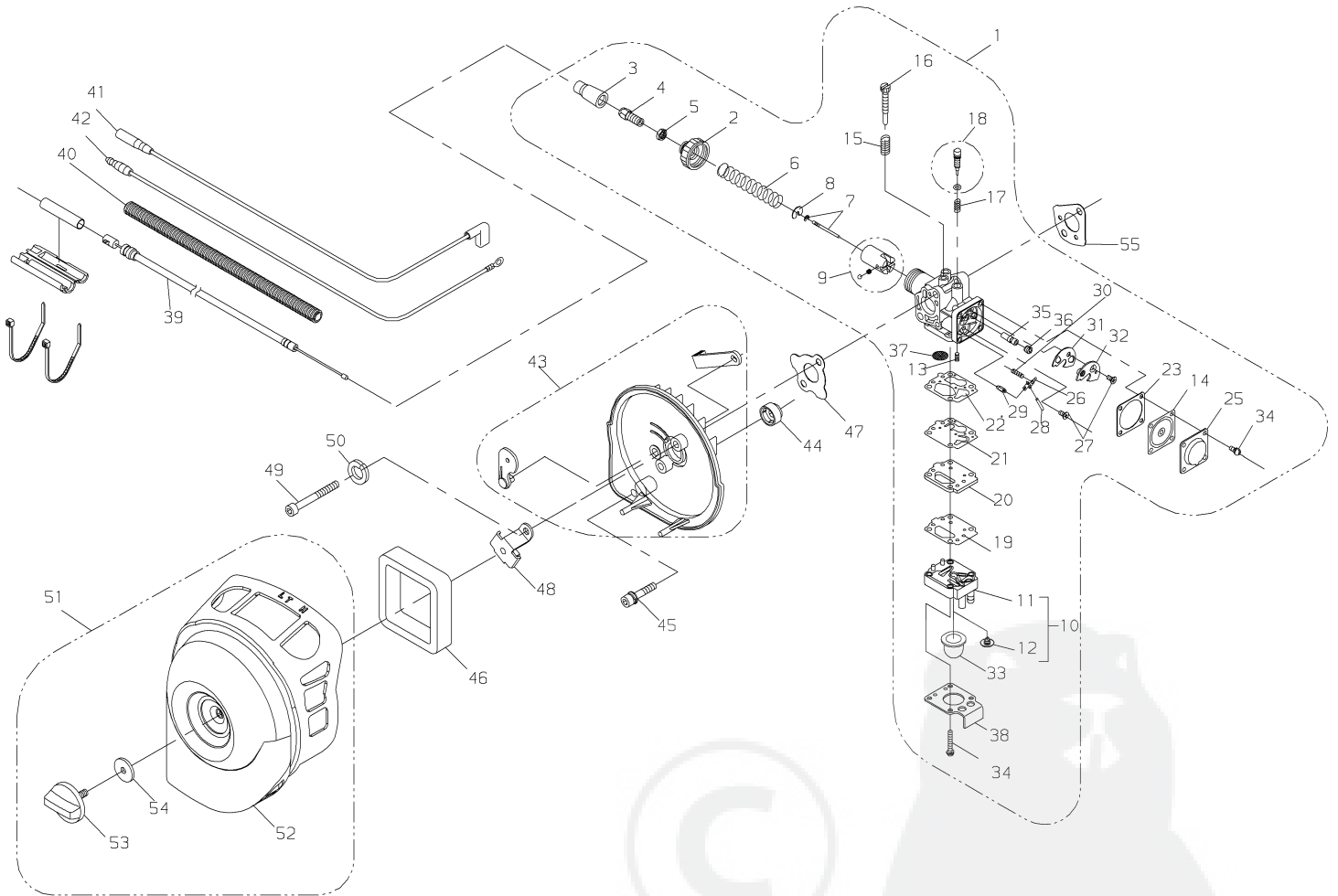


Ref. No	Part No.	Part Name	Q ty
4-1	62035-71110	ROTOR	1
2	02403-03100	KEY	1
3	01511-10061	NUT	1
4	01600-10251	SPRING WASHER	1
5	62035-71020	COIL ASSY.	1
6	22155-72280	PIPE CORD B	1
7	70030-71620	INSULATOR	2
8	01020-04240	BOLT	2
9	01600-04101	SPRING WASHER	2
10	20010-71650	WASHER	1
11	22160-72220	PLUG CAP	1
12	22154-72230	SPRING PLUG	1
13	13000-13406	SPARK PLUG BMR6A	1
14	62035-71320	GROMMET	1

* Denotes item is part of an assembly ** Denotes item is part of a sub-assembly

CARBURETOR / CLEANER

ILLUSTRATION 6 - REV 7/05



CARBURETOR / CLEANER

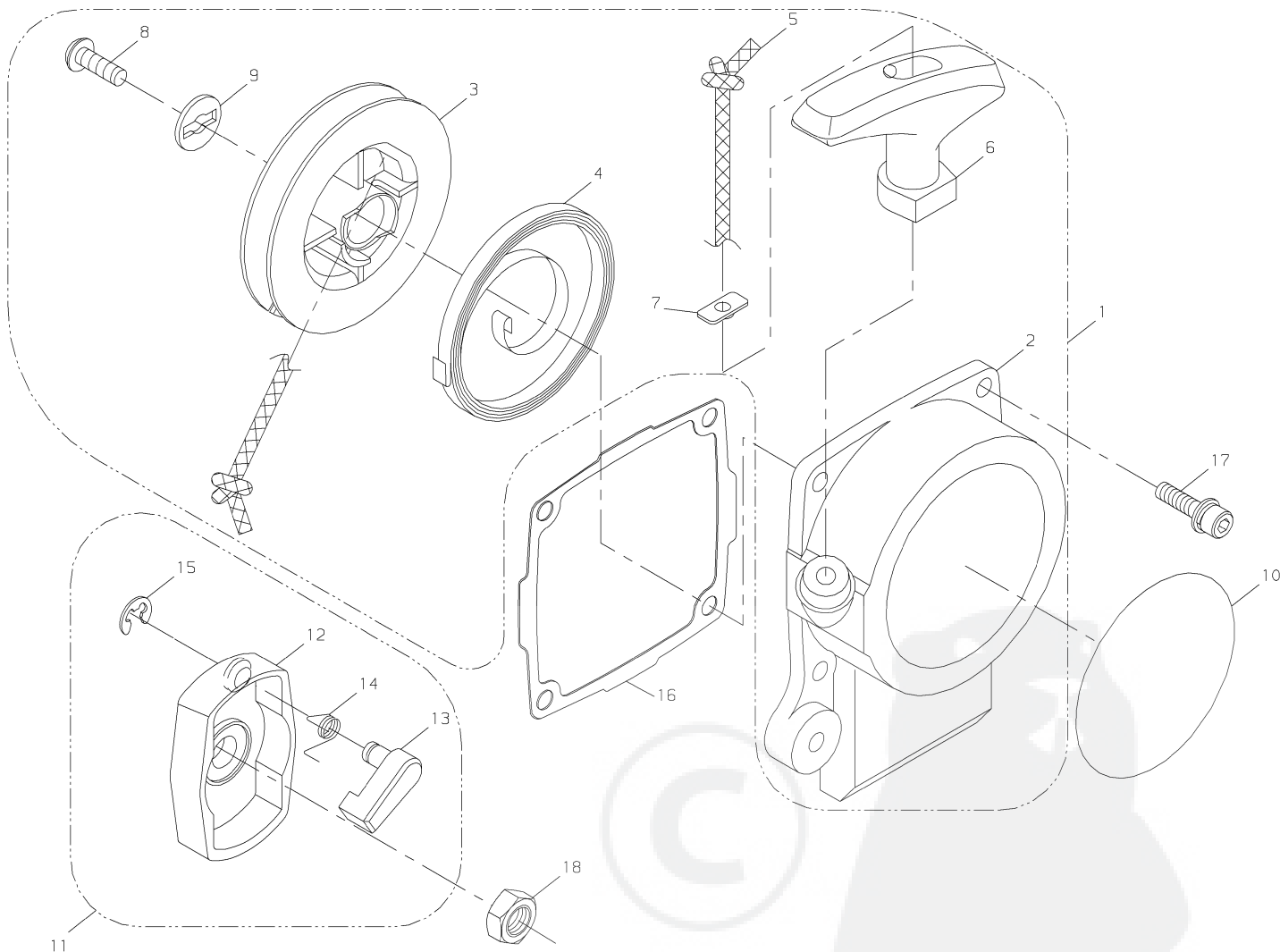
ILLUSTRATION 6 - REV 7/05

Ref. No	Part No.	Part Name	Q'ty
6-1	62107-81010	CARBURETOR ASSY.	1
2	62083-81310	*BODY CAP	1
3	72920-81130	*ADJUSTER CAP	1
4	20020-81110	*CABLE ADJUSTER	1
5	20000-81260	*LOCK NUT	1
6	20020-81140	*SPRING	1
7	62107-81320	*JET NEEDLE	1
8	20020-81150	*SPRING RECIEVE	1
9	62035-81330	*THROTTLE VALVE	1
10	62035-81340	*PUMP COVER ASSY.	1
11	62035-81350	**PUMP COVER	1
12	68501-81340	**VALVE	1
13	62035-81360	*SPRING	1
14	62035-81410	*DIAPHRAGM	1
15	72920-81820	*SPRING	1
16	20000-81310	*SLOW STOP SCREW	1
17	20011-81360	*SPRING	1
18	62107-81330	*MAIN ADJ. SCREW	1
19	20019-81660	*GASKET	1
20	20019-81610	*PUMP PLATE	1
21	20019-81620	*DIAPHRAGM PUMP	1
22	20019-81630	*GASKET	1
23	62035-81370	*GASKET	1
24	62035-81380	*SCREW	4
25	20019-81670	*COVER DIAPHRAGM	1
26	20011-81451	*LEVER	1
27	20011-81470	*SCREW	2

Ref. No	Part No.	Part Name	Q'ty
28	20011-81460	*PIN	1
29	20019-81440	*NEEDLE VALVE	1
30	20040-81430	*SPRING	1
31	70210-81440	*PACKING	1
32	70210-81451	*PLATE	1
33	20087-81820	*PUMP	1
34	20000-81540	*SCREW	1
35	62035-81420	*NEEDLE JET	1
36	70210-81420	*HOLDER	1
37	68501-81480	*SCREEN	1
38	62035-81390	*PUMP PLATE	1
39	62060-83110	THROTTLE CABLE	1
40	62060-83310	TUBE	1
41	14352-11900	LEAD WIRE	1
42	14350-11600	LEAD WIRE	1
43	62035-82011	CLEANER BODY COMP	1
44	62035-82362	INSULATOR	1
45	11022-05400	BOLT SW	1
46	62083-82120	FILTER	1
47	62035-82330	GASKET	1
48	62035-82340	BACK PLATE	1
49	01020-05750	BOLT	2
50	01600-05131	SPRING WASHER	2
51	62083-82041	CLEANER COVER COMP.	1
52	62083-82131	*CLEANER COVER	1
53	20870-33120	*KNOB	1
54	62035-82350	*WASHER	1
55	62035-81310	GASKET	1

RECOIL STARTER / STARTER PULLEY

ILLUSTRATION 5 - REV 7/05

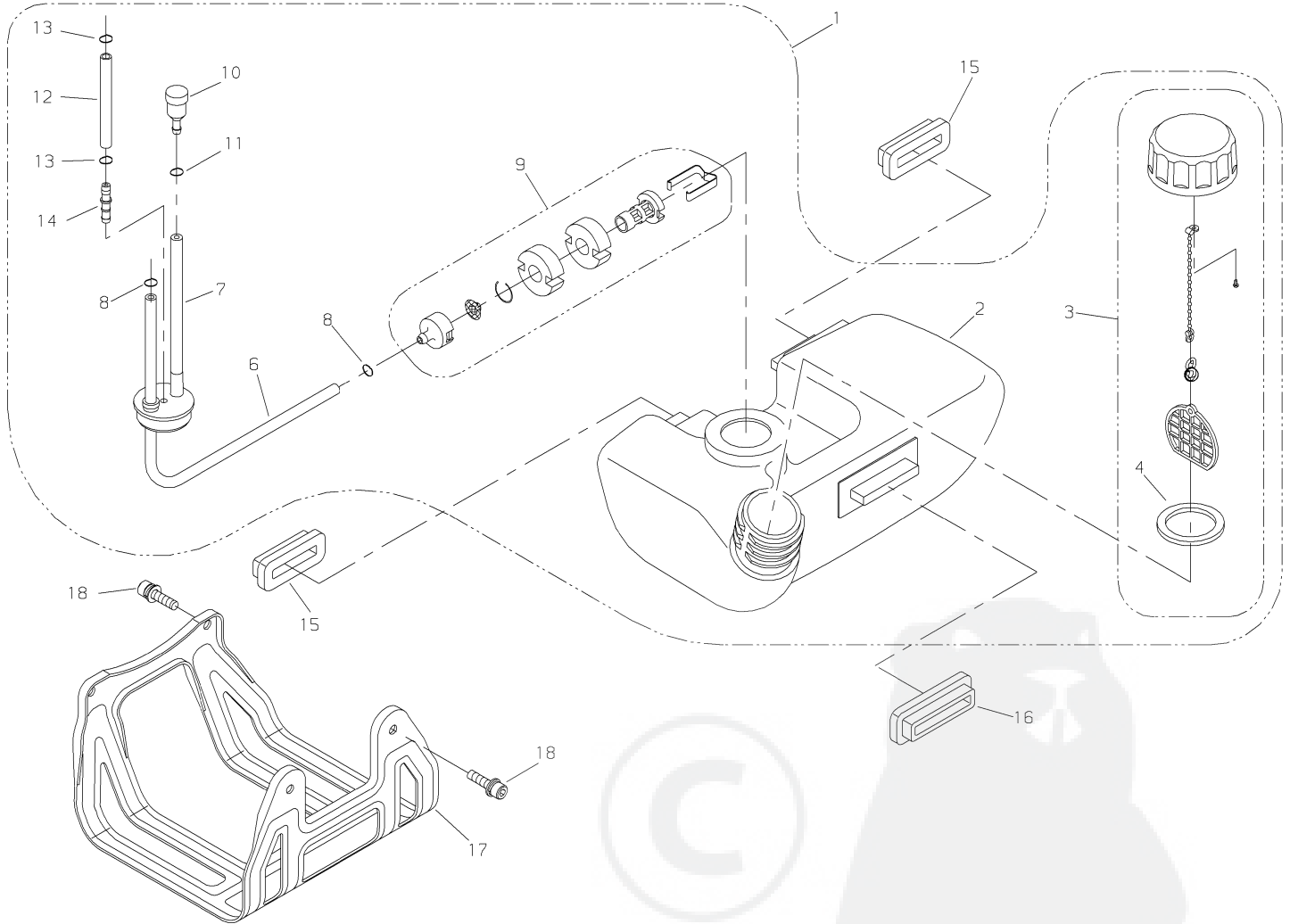


Ref. No	Part No.	Part Name	Q'ty
5-1	62035-75010	RECOIL STARTER ASSY.	1
2	62035-75110	*RECOIL CASE	1
3	62035-75120	*REEL	1
4	62035-75130	*RECOIL SPRING	1
5	62035-75140	*ROPE	1
6	22104-75420	*KNOB RECOIL	1
7	20010-75210	*STOPPER	1
8	20035-75170	*SCREW	1
9	20024-75140	*WASHER	1

Ref. No	Part No.	Part Name	Q'ty
10	19420-00027	LABEL TRADE	1
11	62035-75020	STARTER PULLY ASSY.	1
12	62035-75210	*STARTER PULLY	1
13	62035-75220	*RACHET	1
14	20024-75230	*RETURN SPRING	1
15	20024-75240	*E-RING	1
16	62035-75331	GASKET	1
17	11022-05250	BOLT SPW	4
18	62035-75340	NUT	1

FUEL TANK

ILLUSTRATION 7 - REV 7/05



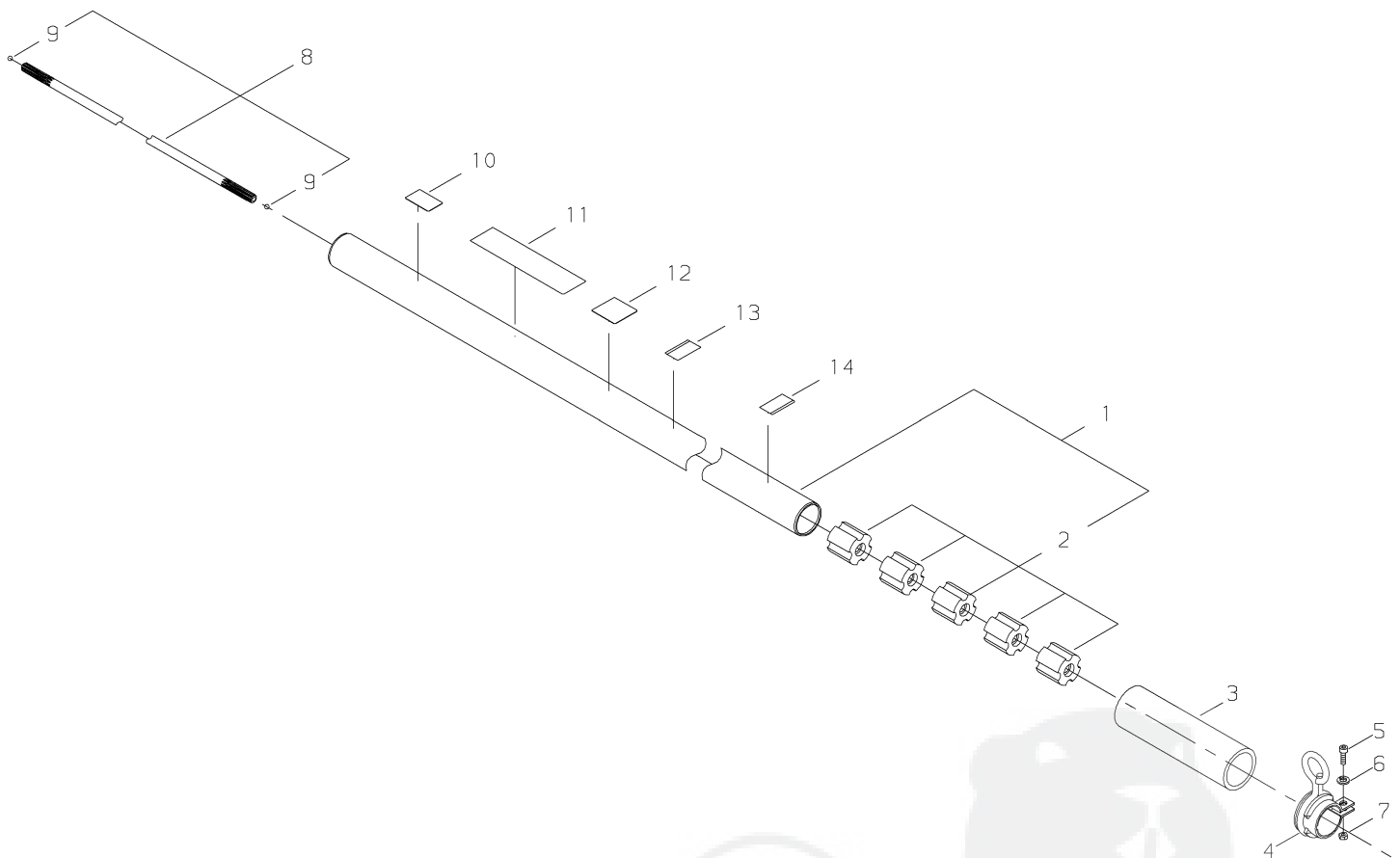
Ref. No	Part No.	Part Name	Q'ty
7- 1	62035-85013	FUEL TANK ASSY.	1
2	62035-85111	*FUEL TANK	1
3	70168-85201	*FUEL CAP ASSY.	1
4	20000-85221	**GASKET	1
6	62035-85310	*FUEL PIPE	1
7	62035-85321	*GROMMET	1
8	20020-85540	*CLIP	2
9	22169-35400	*FUEL FILTER SUB ASSY.	1

Ref. No	Part No.	Part Name	Q'ty
10	22197-33960	*VALVE	1
11	20020-85540	*CLIP	1
12	20112-85361	*PIPE	1
13	20020-85540	*CLIP	2
14	72933-85620	*JOINT	1
15	62035-85341	TANK CUSHION	2
16	62035-85351	TANK CUSHION	1
17	62035-85360	TANK GUARD	1
18	11022-05160	BOLT SPW	4

* Denotes item is part of an assembly ** Denotes item is part of a sub-assembly

OUTER PIPE / MAIN SHAFT

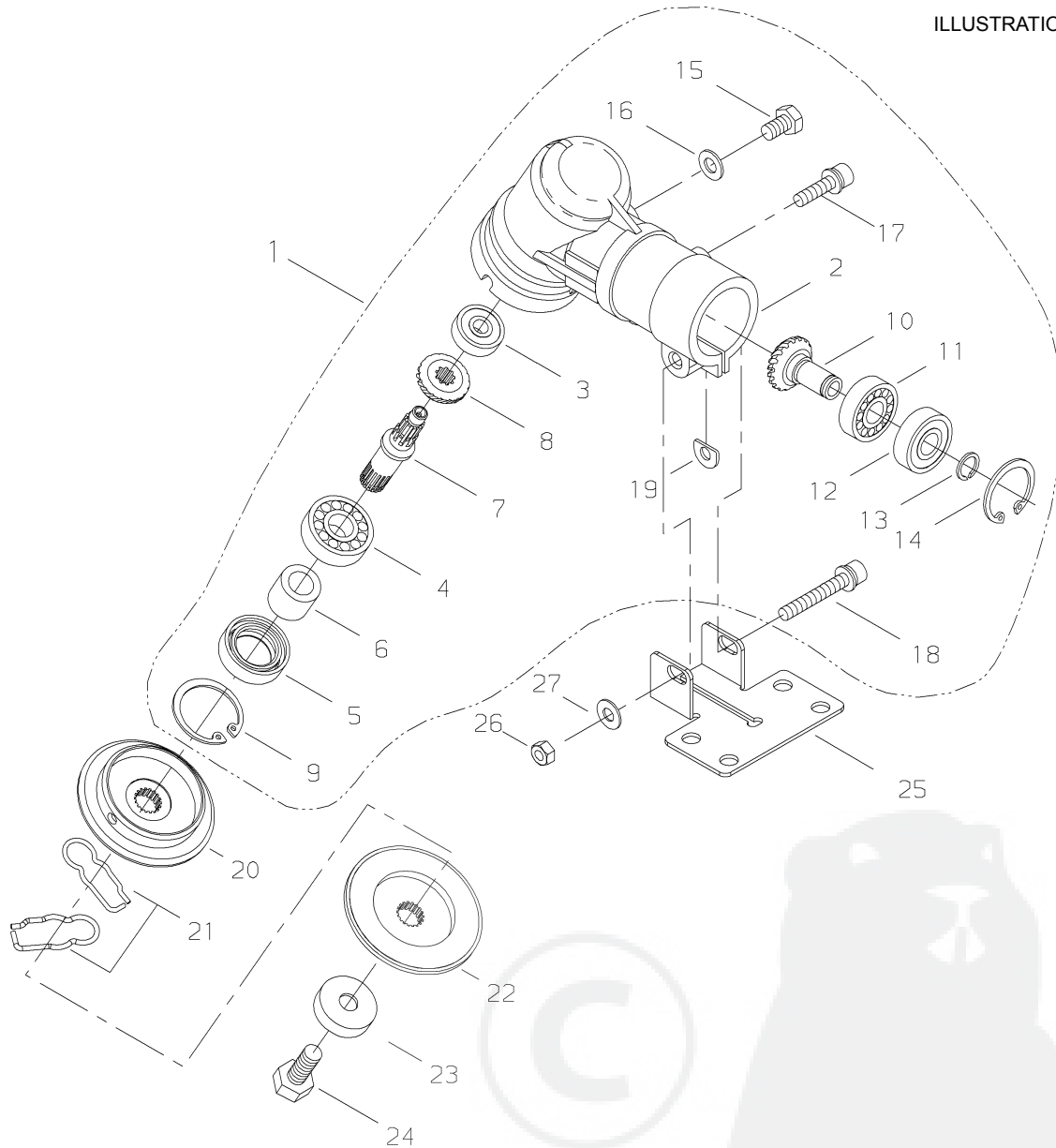
ILLUSTRATION 8 - REV 7/05



Ref. No	Part No.	Part Name	Q'ty
8- 1	63040-62010	OUTER PIPE COMP	1
2	63019-62120	*BUSHING	5
3	63040-62311	PROTECTOR	1
4	22017-12210	HANGER	1
5	01020-05120	BOLT	1
6	01600-05130	SPRING WASHER	1
7	01500-05041	NUT	1
8	72550-12400	MAIN SHAFT SUB ASSY.	1
9	22021-12420	*STOPPER	2
10	19402-00223	LABEL CAUTION	1
11	19422-00010	LABEL CAUTION	1
12	19404-00038	LABEL DECIBEL	1
13	72017-12150	HANDLE LABEL	1
14	72005-12140	CAUTION PLATE	1

GEARCASE

ILLUSTRATION 9 - REV 7/05



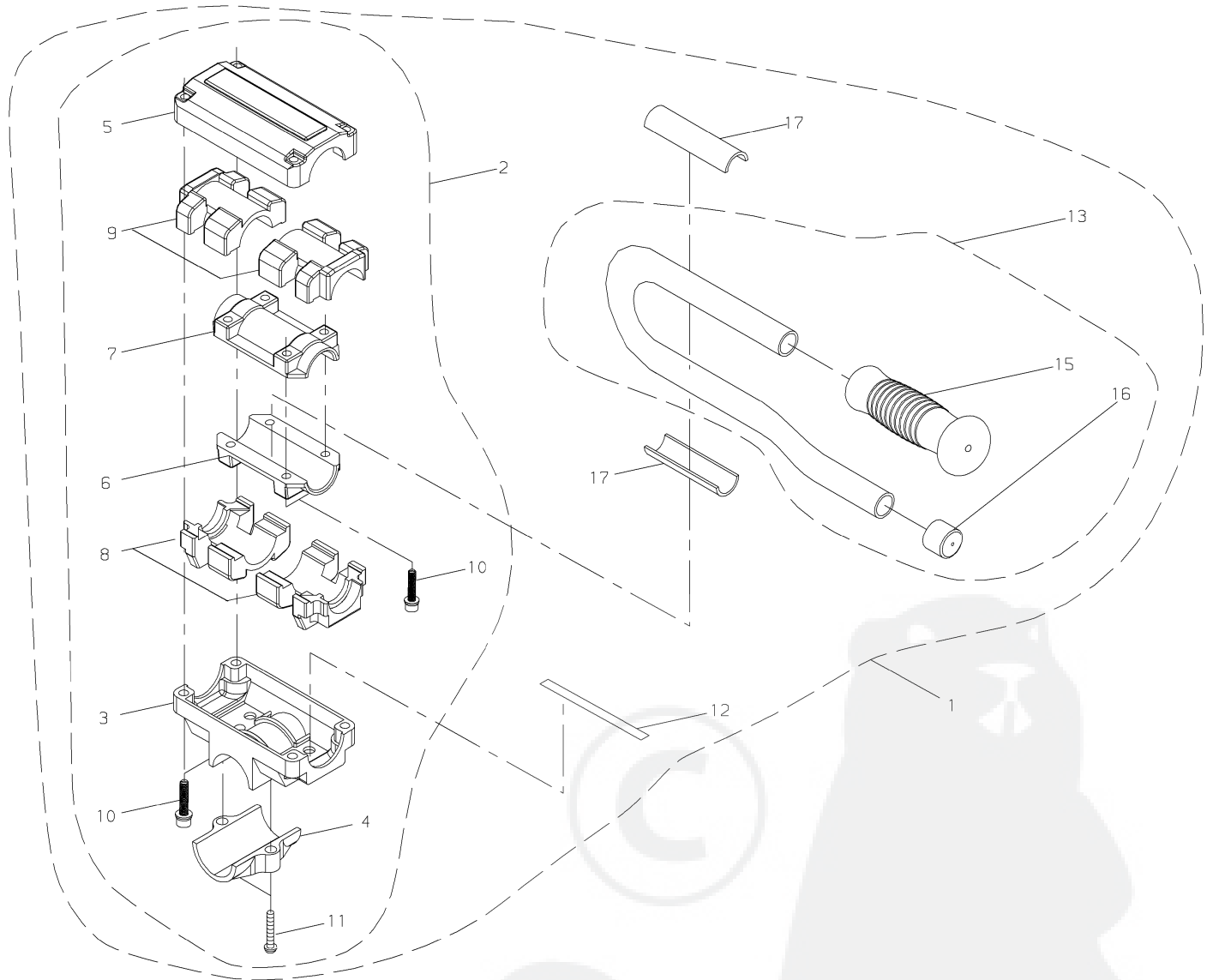
Ref. No	Part No.	Part Name	Q'ty
9-1	63020-63020	GEARCASE SUB ASSY.	1
2	63020-63110	*GEARCASE	1
3	37004-63310	*BEARING	1
4	02000-06202	*BEARING	1
5	72447-13121	*OIL SEAL	1
6	22015-13230	*COLLAR	1
7	63019-63130	*GEAR SHAFT	1
8	22015-13220	*BEVEL GEAR	1
9	02432-35150	*SNAP RING	1
10	22021-13390	*PINION SET	1
11	37074-63310	*BEARING	1
12	02002-06001	*BEARING	1
13	20000-31140	*SNAP RING	1

Ref. No	Part No.	Part Name	Q'ty
14	02432-28120	*SNAP RING	1
15	22015-13410	*BOLT	1
16	22015-13420	*GASKET	1
17	11022-06140	*BOLT SPW	1
18	11022-06400	*BOLT SPW	1
19	22011-13450	*SHIM	1
20	72447-13240	HOLDER A	1
21	22015-13290	SLIDE PIN	2
22	63020-63171	HOLDER B	1
23	22015-13270	BOLT GUARD	1
24	63019-63310	BOLT	1
25	72017-16130	LOWER CLAMP	1
26	01500-06051	NUT	1
27	01613-06100	WASHER	1

* Denotes item is part of an assembly ** Denotes item is part of a sub-assembly

HANDLE ASSEMBLY

ILLUSTRATION 10 - REV 7/05

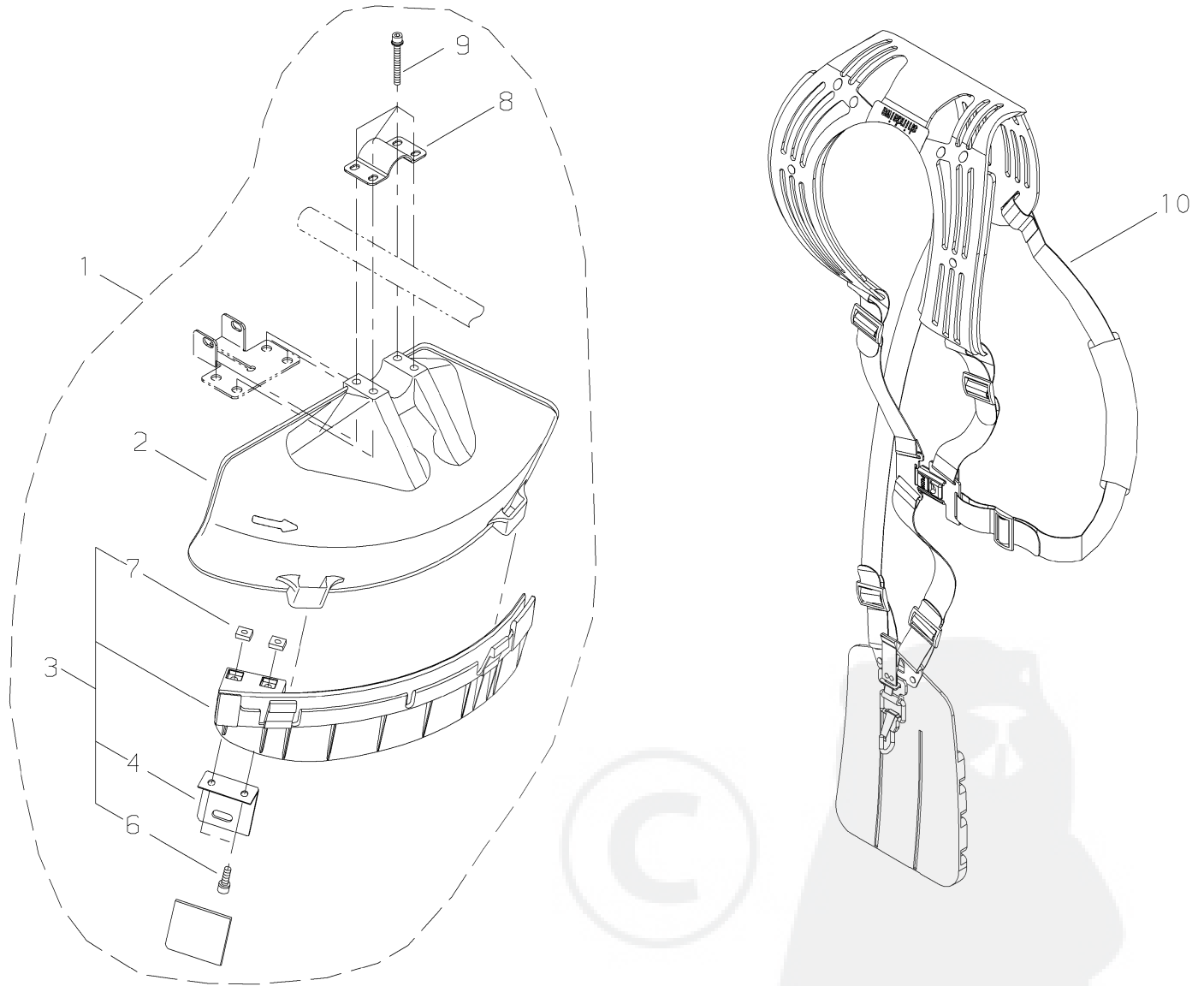


Ref. No	Part No.	Part Name	Q'ty
10- 1	62060-64010	HANDLE ASSY.	1
2	72555-14100	*BRACKET COMP.	1
3	72555-14110	**HANDLE BRACKET	1
4	72555-14120	**LOWER CAP	1
5	72555-14130	**UPPER CAP	1
6	22015-14140	**LOWER CLAMP	1
7	22015-14150	**UPPER CLAMP	1
8	22015-14160	**LOWER CUSHION	2

Ref. No	Part No.	Part Name	Q'ty
9	22015-14170	**UPPER CUSHION	2
10	11022-05250	**BOLT SPW	8
11	11210-06250	**SCREW BUTTON	2
12	72514-14190	*EARTH CORD	1
13	72430-14200	*HANDLE SUB ASSY.	1
15	22421-14230	**GRIP	1
16	72430-14270	**CAP	1
17	72556-14260	**SPACER	2

GUARD SET / HARNESS

ILLUSTRATION 11 - REV 7/05

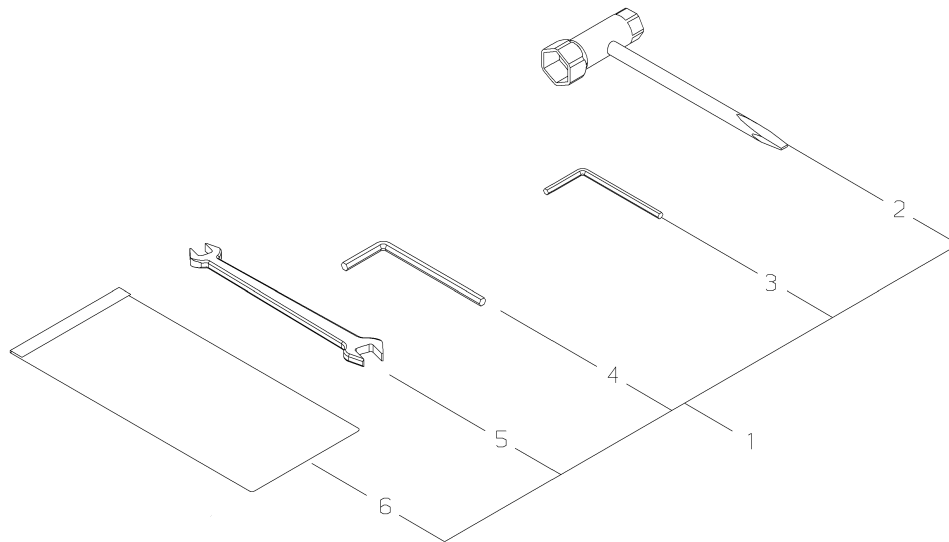


Ref. No	Part No.	Part Name	Q'ty
11- 1	64008-66310	GUARD SET	1
2	62903-66110	*GUARD	1
3	62903-66331	*SUB GUARD ASSY.	1
4	72480-16121	**CUTTER	1
6	11020-05160	**BOLT SW	2
7	22420-16120	**NUT	2
8	72480-16210	*UPPER CLAMP	1
9	11022-05450	*BOLT SPW	4
10	64007-67010	HARNESS ASSY.	1

* Denotes item is part of an assembly ** Denotes item is part of a sub-assembly

TOOL SET

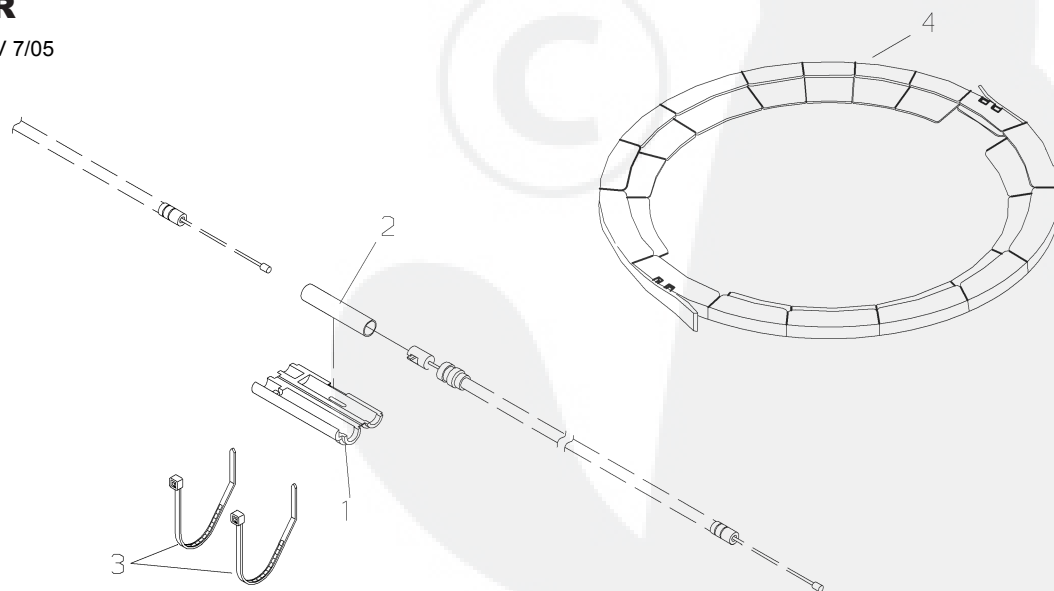
ILLUSTRATION 12 - REV 7/05



Ref. No	Part No.	Part Name	Q'ty
12- 1	62060-92011	TOOL SET	1
2	72518-91180	*WRENCH 17X19	1
3	09026-04001	*HEX WRENCH 5MM	1
4	09026-05001	*HEX WRENCH 6MM	1
5	22000-91120	*SPANNER	1
6	19639-01700	*TOOL BAG	1

BLADE COVER

ILLUSTRATION 13 - REV 7/05



Ref. No	Part No.	Part Name	Q'ty
13- 1	72550-82120	CONNECTOR	1
2	20037-82130	SLEEVE	1
3	15210-12303	BAND	2
4	22550-92310	BLADE COVER	1



shindaiwa

www.shindaiwa.com

11975 SW Herman Road, Tualatin, Oregon 97062, U.S.A.

1 + 503.692.3070 • fax 1 + 503.692.6696 •

Item #xxxx Effective 07/05