

Shindaiwa Illustrated Parts List

T260 EC1 Trimmer

CYLINDER / MUFFLER	2
CRANKCASE / FAN COVER / CYLINDER COVER	3
PISTON / CRANKSHAFT / CLUTCH SHOE	4
ROTOR / COIL ASSEMBLY	5
CARBURETOR / CLEANER	6 - 7
RECOIL STARTER / STARTER PULLEY	8
FUEL TANK	9
OUTER PIPE / THROTTLE LEVER	10
GEARCASE	11
HANDLE ASSEMBLY	12
GUARD SET / STRAP ASSEMBLY	12
TOOL SET	13
BLADE COVER	13

www.shindaiwa.com

11975 SW Herman Road

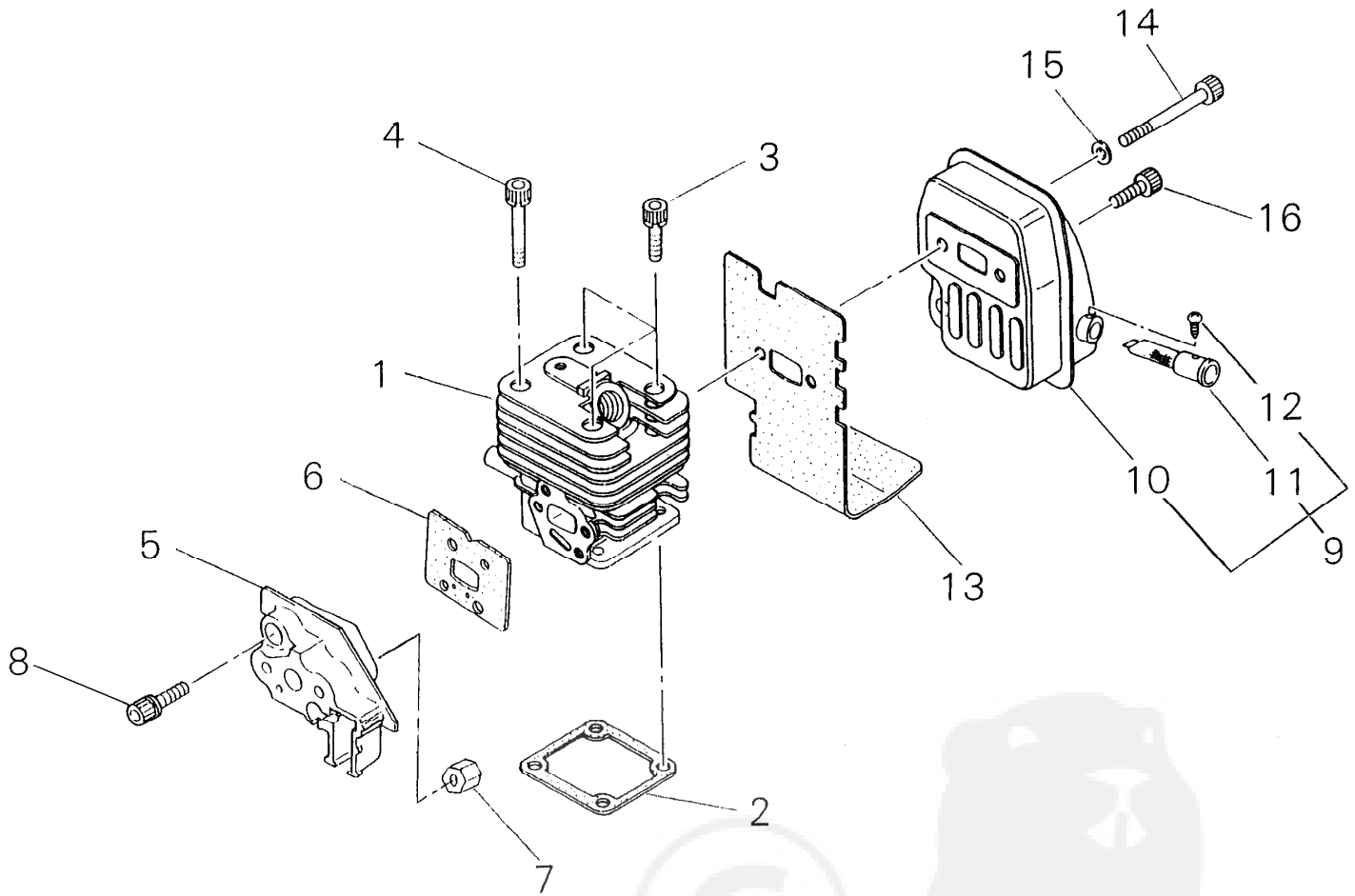
Tualatin, Oregon 97062, U.S.A.

1 + 503.692.3070 • fax 1 + 503.692.6696 •

shindaiwa

CYLINDER / MUFFLER

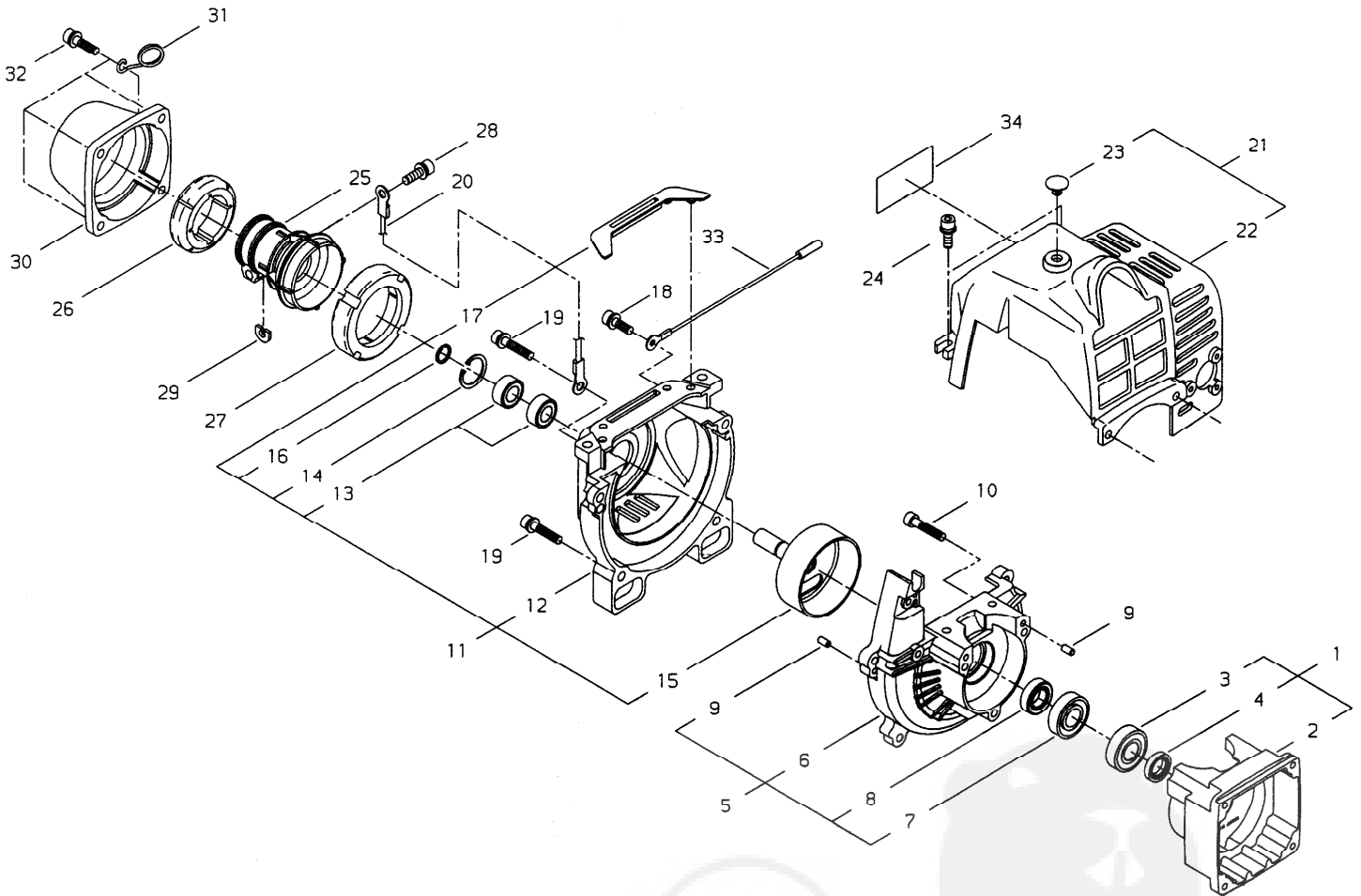
ILLUSTRATION 1 - REV 10/04



Ref. No	Part No.	Part Name	Q'ty
1-1	70144-12110	CYLINDER	1
2	20018-12120	GASKET	1
3	11022-05160	BOLT SPW	3
4	11022-05350	BOLT SPW	1
5	20110-12211	INSULATOR	1
6	20110-12221	GASKET	1
7	20024-12260	NUT	2
8	11022-05300	BOLT SW	2
9	70135-15100	MUFFLER SUB ASSEMBLY	1
10	70135-15110	*MUFFLER	1
11	70103-15150	*SPARK ARRESTER	1
12	01270-03062	*SCREW TAPPING	1
13	20018-15150	GASKET MUFFLER	1
14	01020-05500	BOLT	2
15	01610-05080	WASHER	2
16	01020-05120	BOLT	1

CRANKCASE / FAN COVER / CYLINDER COVER

ILLUSTRATION 2 - REV 10/04



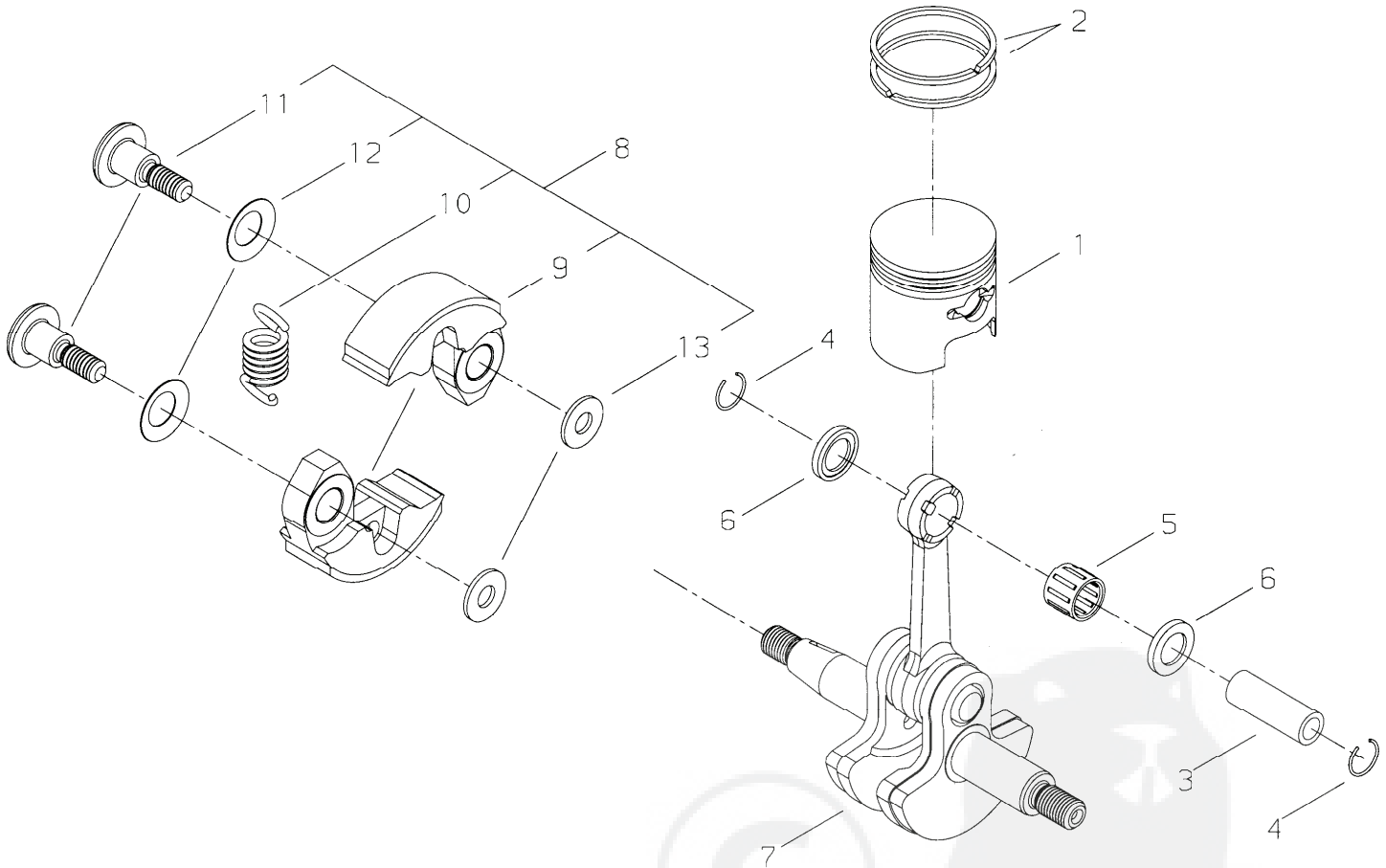
Ref. No	Part No.	Part Name	Q'ty
2-1	20018-21100	CRANKCASE S COMP	1
2	20018-21111	*CRANKCASES	1
3	12900-60010	*BEARING	1
4	22150-21250	*OIL SEAL	1
5	20110-21201	CRANKCASE M COMP	1
6	20018-21122	*CRANKCASE M	1
7	12900-60010	*BEARING	1
8	20000-21211	*OIL SEAL	1
9	12492-40080	*ROLLER	4
10	01020-05250	BOLT	3
11	62011-31011	FAN COVER COMP	1
12	20134-31111	*FAN COVER	1
13	02006-06000	*BEARING	2
14	02432-26120	*SNAP RING	1
15	20018-31330	*CLUTCH DRUM	1
16	22000-13320	*SNAP RING	1
17	20110-31130	*CUSHION	1

Ref. No	Part No.	Part Name	Q'ty
18	11022-05160	BOLT SPW	2
19	11022-05300	BOLT SW	2
20	70192-31510	EARTH CORD	1
21	62011-32010	CYLINDER COVER COMP	1
22	20134-32110	*CYLINDER COVER	1
23	20134-32130	*PLUG	1
24	11022-05160	BOLT SPW	2
25	20018-31410	JOINT	1
26	20018-31420	FRONT CUSHION	1
27	20018-31430	REAR CUSHION	1
28	11023-05250	BOLT SW	1
29	20018-31460	SHIM	1
30	70135-31470	CAP	1
31	20024-83152	CABLE HOLDER	1
32	11022-05200	BOLT SPW	4
33	70201-83130	CORD	1
34	70201-32120	LABEL TRADE	1

* Denotes item is part of an assembly ** Denotes item is part of a sub-assembly

PISTON / CRANKSHAFT / CLUTCH SHOE

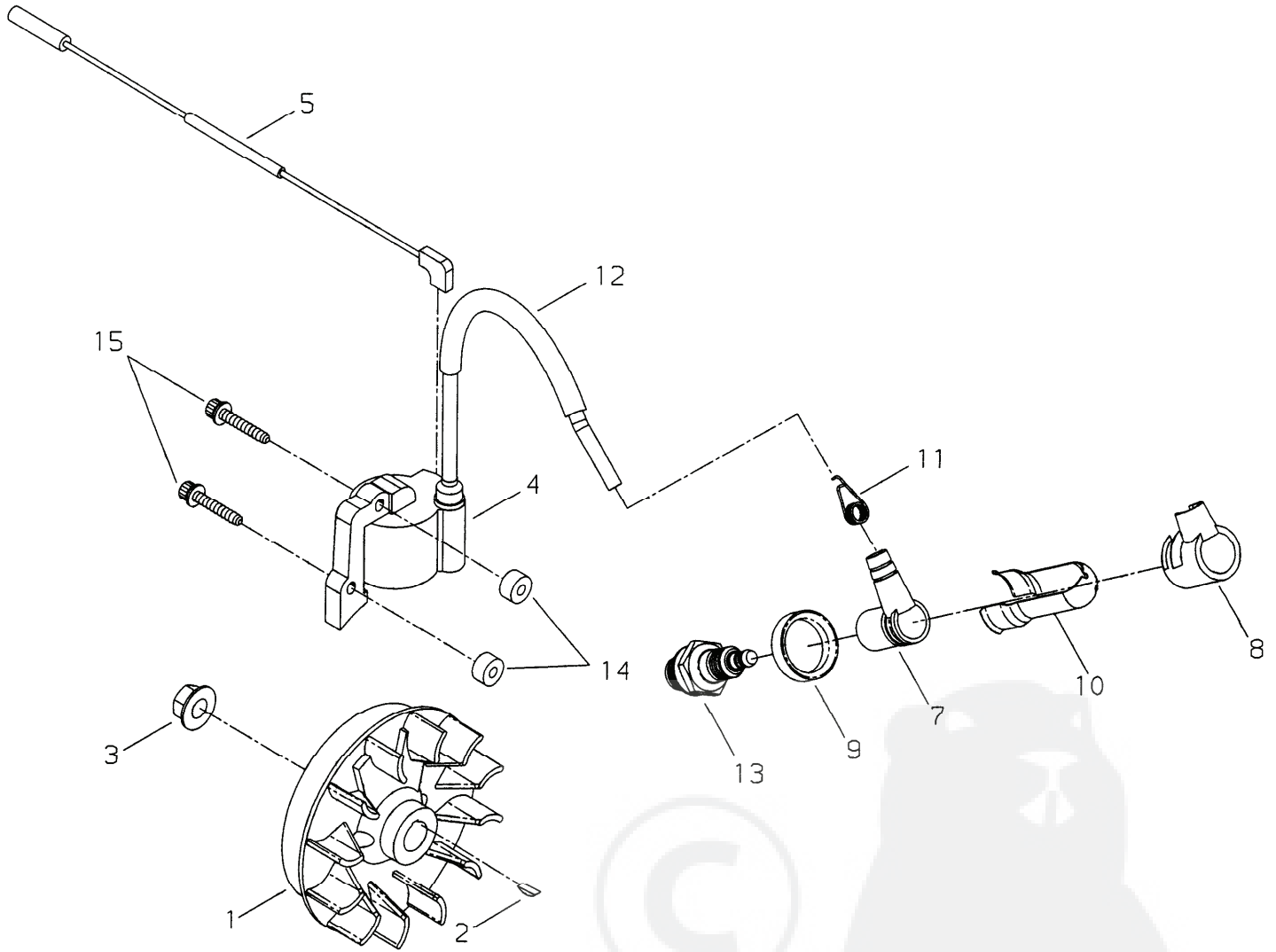
ILLUSTRATION 3 - REV 10/04



Ref. No	Part No.	Part Name	Q'ty
3-1	20000-41111	PISTON	1
2	20000-41210	PISTON RING	2
3	20000-41310	PISTON PIN	1
4	20000-41320	SNAP RING	2
5	37019-41230	NEEDLE BEARING	1
6	37019-41240	THRUST WASHER	2
7	20018-42000	CRANKSHAFT ASSEMBLY	1
8	70140-51102	CLUTCH SHOE ASSEMBLY	1
9	70140-51113	*CLUTCH SHOE	2
10	37013-51310	*COIL SPRING	1
11	20087-51210	*BOLT	2
12	20087-51231	*SPRING PLATE	2
13	22100-71430	*WASHER	2

ROTOR / COIL ASSEMBLY

ILLUSTRATION 4 - REV 10/04

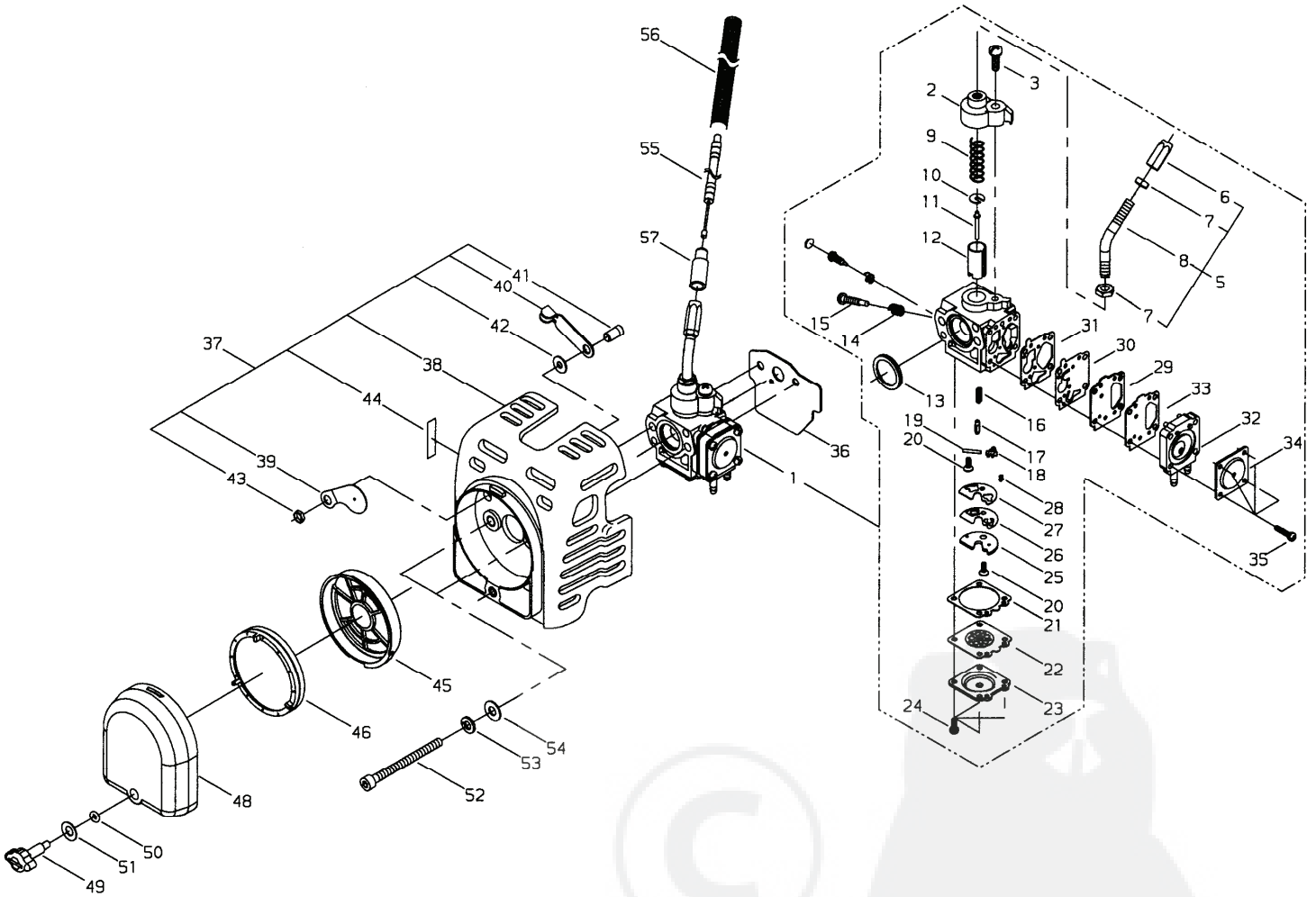


Ref. No	Part No.	Part Name	Q ty
4-1	20018-71200	ROTOR	1
2	02403-03100	KEY	1
3	20035-71220	NUT	1
4	20029-71600	COIL ASSEMBLY	1
5	70201-71640	CORD	1
7	20010-72221	PLUG CAP	1
8	20000-72241	PLUG CAP COVER	1
9	20000-72250	COVER BAND	1
10	70180-72260	SHIELD	1
11	20000-72230	SPRING SPARKPLUG	1
12	20089-83120	TUBE	1
13	13000-13506	SPARKPLUG BPMR6A	1
14	70030-71620	INSULATOR	2
15	11024-04261	BOLT SLPW	2

* Denotes item is part of an assembly ** Denotes item is part of a sub-assembly

CARBURETOR / CLEANER

ILLUSTRATION 6 - REV 10/04



CARBURETOR / CLEANER

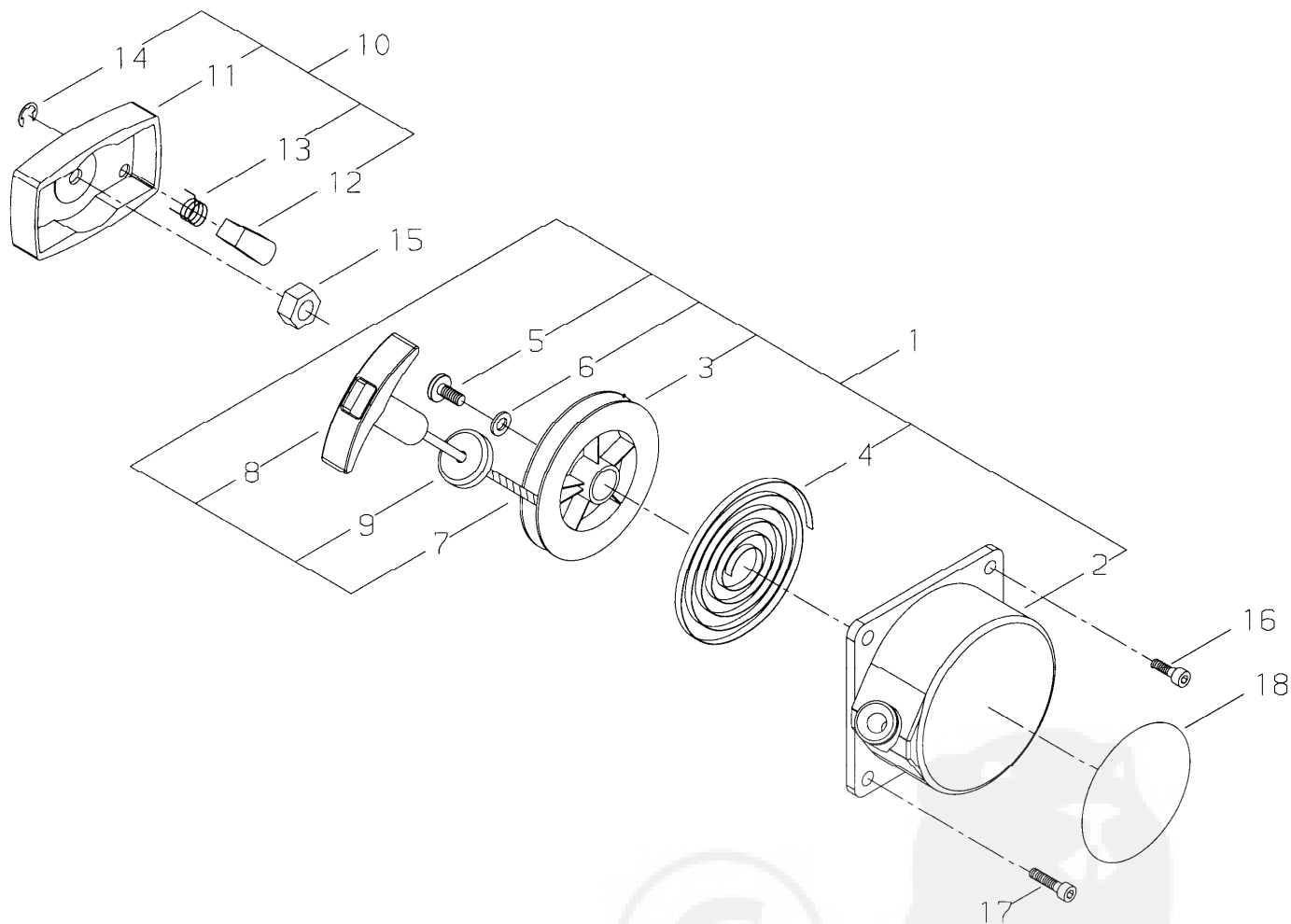
ILLUSTRATION 6 - REV 10/04

Ref. No	Part No.	Part Name	Q'ty
6- 1	70144-81021	CARBURETOR SUB ASSEMBLY	1
2	70144-81340	*BODY TOP COMP	1
3	20019-81120	*SCREW	1
5	70144-81320	*ELBOW ASSEMBLY	1
6	20055-81810	**CABLE ADJUSTER	1
7	20000-81260	**LOCKNUT	2
8	70144-81330	**ELBOW	1
9	20003-81140	*THROTTLE SPRING	1
10	20000-81150	*SPRING RECEIVE	1
11	70144-81170	*JET NEEDLE	1
12	20019-81182	*THROTTLE VALVE	1
13	20019-81280	*RING GASKET	1
14	72920-81820	*SPRING	1
15	20019-81310	*SLOW STOP SCREW	1
16	20040-81430	*SPRING	1
17	20019-81440	*NEEDLE VALVE	1
18	20019-81450	*CONTROL LEVER	1
19	20011-81460	*PIN	1
20	20011-81470	*SCREW	2
21	20019-81510	*GASKET	1
22	20019-81520	*DIAPHRAGM ASSEMBLY	1
23	20019-81530	*COVER DIAPHRAGM	1
24	20000-81540	*SCREW	4
25	20019-81560	*PLATE	1
26	20019-81570	*CHECK VALVE	1
27	20019-81580	*GASKET	1
28	20011-81680	*SPRING	1

Ref. No	Part No.	Part Name	Q'ty
29	20019-81610	*PUMP PLATE	1
30	20019-81620	*DIAPHRAGM PUMP	1
31	20019-81630	*GASKET	1
32	20019-81641	*PUMP COVER	1
33	20019-81660	*GASKET	1
34	20019-81670	*COVER DIAPHRAGM	1
35	20019-81680	*SCREW	4
36	20110-83431	GASKET	1
37	20134-82100	CLEANER BODY COMP	1
38	20134-81711	*CLEANER BODY	1
39	20115-82121	*CHOKE PLATE	1
40	20115-82130	*CHOKE LEVER	1
41	20110-82140	*CHOKE SHAFT	1
42	20024-81790	*CONE WASHER	1
43	11524-06211	*U NUT	1
44	19404-00008	*LABEL CHOKE	1
45	62028-82310	NET	1
46	60028-98010	FILTER	1
48	20024-81770	CLEANER COVER	1
49	20115-81780	KNOB CLEANER COVER	1
50	22100-82430	O-RING	1
51	20024-81790	CONE WASHER	1
52	01020-05600	BOLT	2
53	01600-05131	SPRING WASHER	2
54	01610-05080	WASHER	2
55	20024-83111	THROTTLE CABLE	1
56	70201-83140	TUBE	1
57	20005-83160	CABLE CAP	1

RECOIL STARTER / STARTER PULLEY

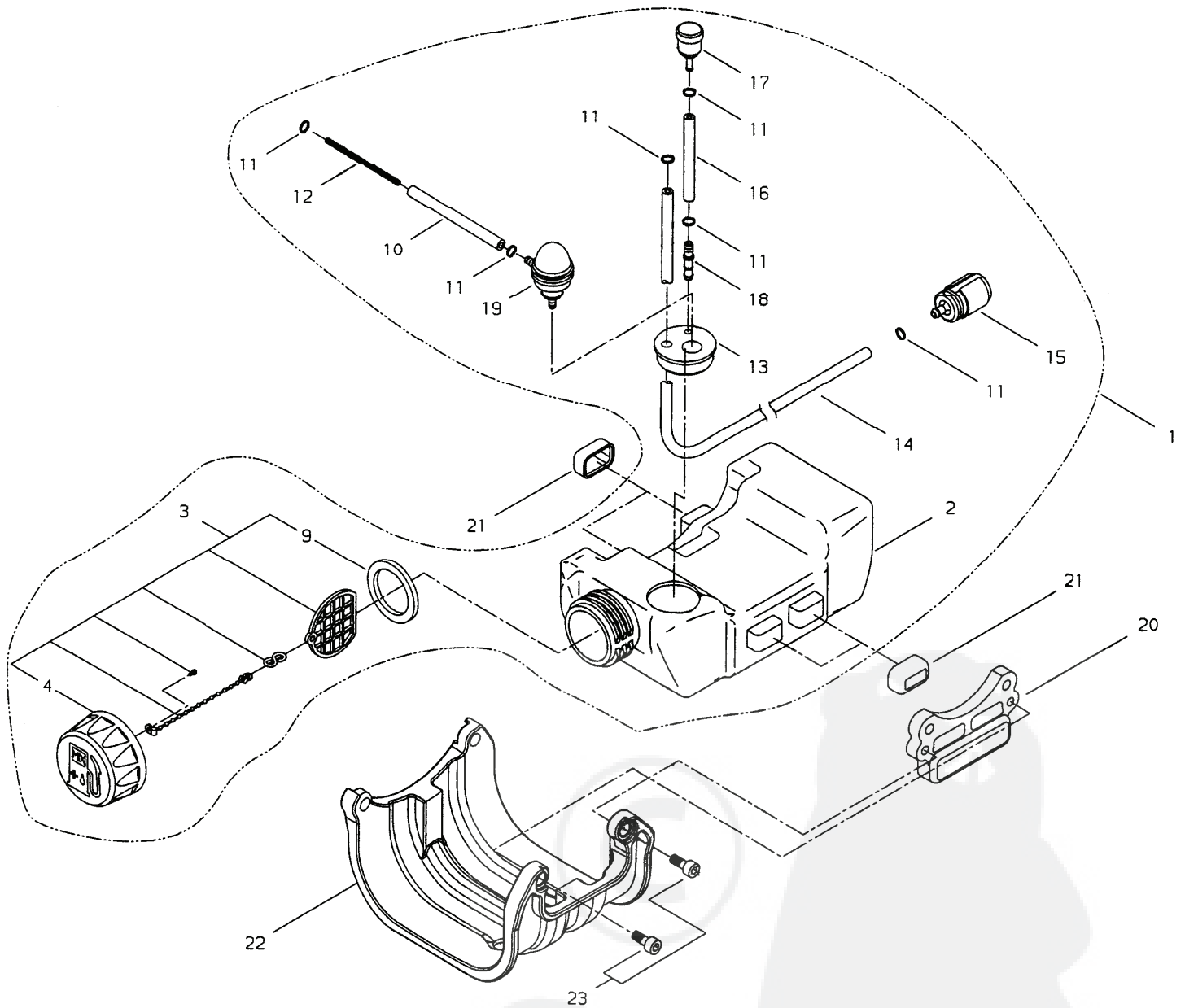
ILLUSTRATION 5 - REV 10/04



Ref. No	Part No.	Part Name	Q'ty
5-1	70102-75101	RECOIL STARTER SUB ASSEMBLY	1
2	70102-75111	*STARTER CASE	1
3	20024-75120	*REEL	1
4	20024-75130	*RECOIL SPRING	1
5	20035-75170	*SCREW	1
6	20024-75140	*WASHER	1
7	20024-75160	*ROPE	1
8	20024-75190	*STARTER KNOB	1
9	20024-75180	*DAMPER	1
10	20024-75200	STARTER PULLEY SUB ASSEMBLY	1
11	20024-75210	*STARTER PULLEY	1
12	20024-75220	*RATCHET	1
13	20024-75230	*RETURN SPRING	1
14	20024-75240	*ERING	1
15	20035-43230	NUT	1
16	11022-05200	BOLT SPW	2
17	11022-05250	BOLT SPW	2
18	19420-00026	LABEL TRADE	1

FUEL TANK

ILLUSTRATION 7 - REV 10/04



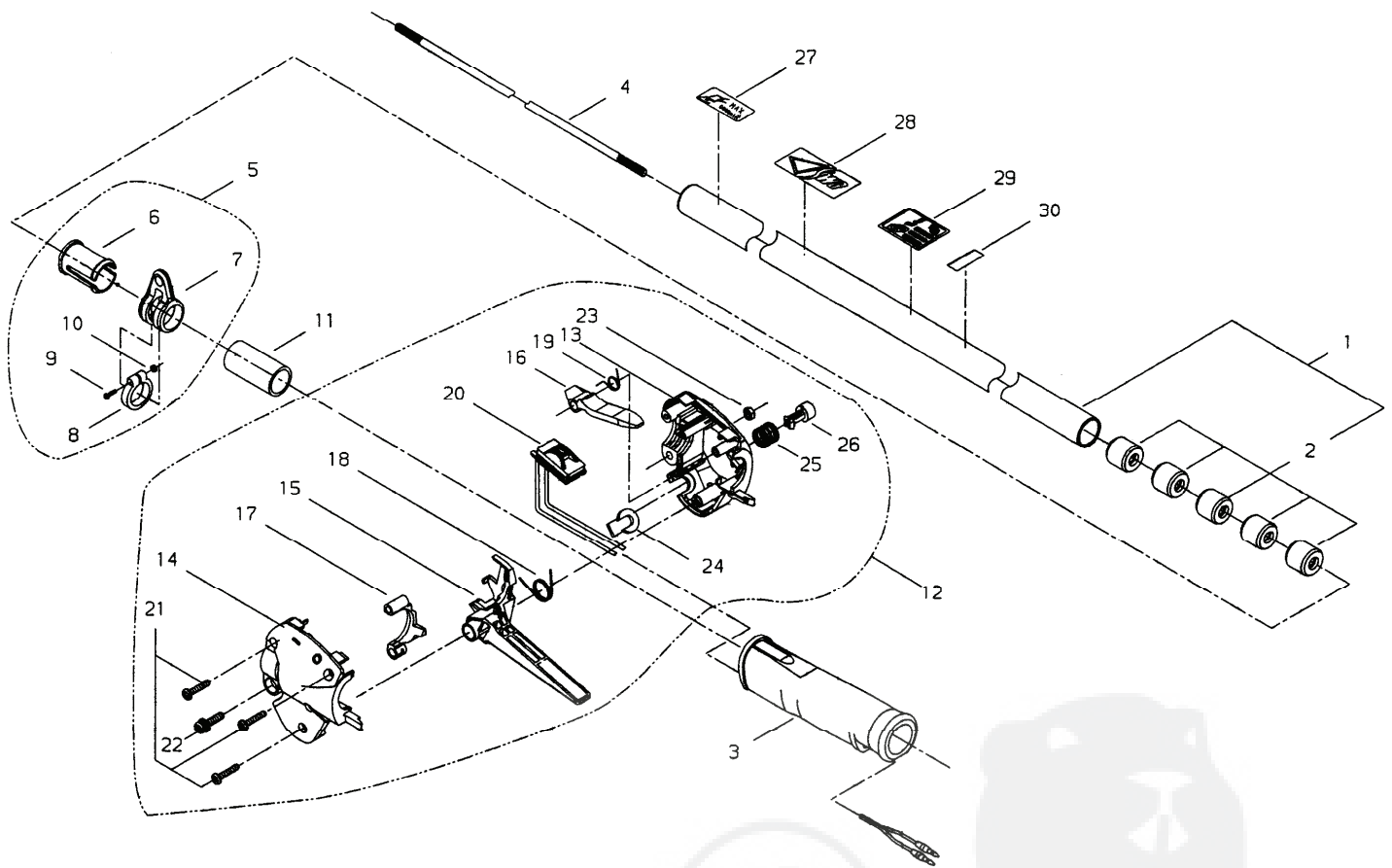
Ref. No	Part No.	Part Name	Q'ty
7-1	70223-85000	FUEL TANK ASSEMBLY	1
2	20018-85113	*FUEL TANK	1
3	70168-85201	*FUEL CAP ASSEMBLY	1
4	70168-85210	**FUEL CAP	1
9	20000-85221	**GASKET	1
10	20018-83311	*PIPE	1
11	20020-85540	*CLIP	6
12	20019-83320	*SPRING	1
13	20019-85351	*GROMMET	1
14	20110-85320	*FUEL PIPE	1

Ref. No	Part No.	Part Name	Q'ty
15	22115-85401	*FUEL FILTER SUB ASSEMBLY	1
16	20110-83311	*PIPE	1
17	20035-85522	*VALVE	1
18	72933-85620	*JOINT	1
19	20019-85600	*PUMP COMP	1
20	20018-86112	TANK HOLDER	1
21	20018-86120	TANK CUSHION	4
22	62902-85320	TANK GUARD	1
23	11022-05180	BOLT SPW	2

* Denotes item is part of an assembly ** Denotes item is part of a sub-assembly

OUTER PIPE / THROTTLE LEVER

ILLUSTRATION 8 - REV 10/04

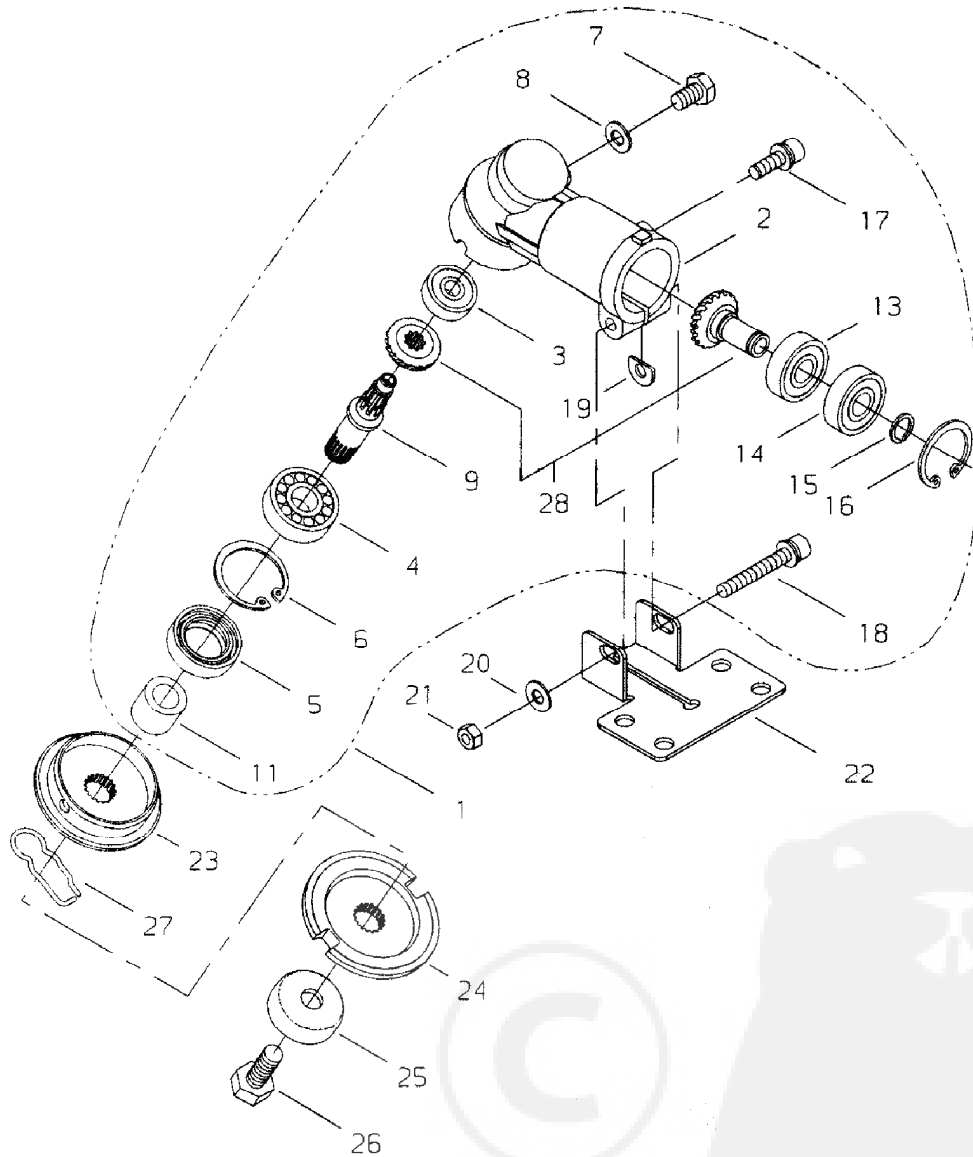


Ref. No	Part No.	Part Name	Q'ty
8-1	37094-62010	OUTER PIPE COMP	1
2	22420-12120	*BUSH	5
3	63901-62140	GRIP	1
4	22000-12413	MAIN SHAFT	1
5	33008-62340	HANGER ASSEMBLY	1
6	33008-62321	*COLLAR	1
7	33008-62151	*HANGER	1
8	33008-62311	*CLAMP	1
9	11203-04160	*SCREW PM	1
10	01500-04031	*NUT	1
11	65006-62310	PROTECTOR	1
12	63052-62020	THROTTLE LEVER ASSEMBLY	1
13	72549-62320	*BODY RIGHT	1
14	63002-62330	*BODY LEFT	1
15	63002-62340	*LEVER	1

Ref. No	Part No.	Part Name	Q'ty
16	63901-62352	*LOCK LEVER	1
17	63002-62350	*HOLDER	1
18	63880-65350	*COIL SPRING	1
19	63901-62370	*COIL SPRING	1
20	63052-62310	*SWITCH	1
21	63880-65360	*SCREW TAPPING	3
22	11206-05201	*SCREW PMSPW	1
23	01501-05030	*NUT	1
24	63880-65411	*PLUG	1
25	70871-65180	*COIL SPRING	1
26	70871-65170	*BUTTON	1
27	19402-00223	LABEL CAUTION	1
28	19422-00010	LABEL CAUTION	1
29	19404-00037	LABEL DECIBEL	1
30	72017-12150	HANDLE LABEL	1

GEARCASE

ILLUSTRATION 9 - REV 10/04



Ref. No	Part No.	Part Name	Q'ty
9-1	63030-63023	GEARCASE SUB ASSEMBLY	1
2	22420-13110	*GEARCASE	1
3	02036-00608	*BEARING	1
4	37074-63310	*BEARING	1
5	22420-13140	*OIL SEAL	1
6	02432-28120	*SNAP RING	1
7	01014-06100	*BOLT	1
8	01610-06080	*WASHER	1
9	22495-13210	*GEAR SHAFT	1
11	22000-13230	*COLLAR	1
13	02000-00609	*BEARING	1
14	02002-00609	*BEARING	1
15	22420-13350	*SNAP RING	1

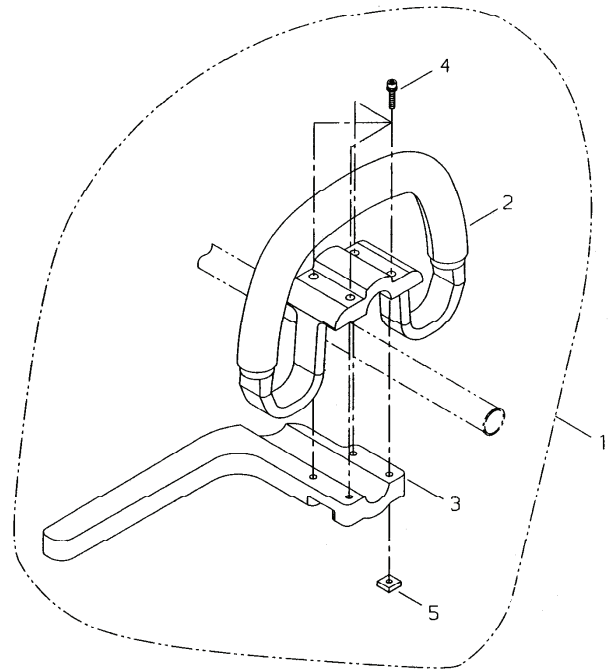
Ref. No	Part No.	Part Name	Q'ty
16	02432-24120	*SNAP RING	1
17	11022-05160	*BOLT SPW	1
18	11022-05350	*BOLT SPW	1
19	22000-13420	*SHIM	1
28	60088-98310	*GEAR SET	1
20	01613-05080	WASHER	1
21	01500-05041	NUT	1
22	72480-16130	LOWER CLAMP	1
23	22420-13510	HOLDER A	1
24	37019-63170	HOLDER	1
25	22000-13290	BOLT GUARD	1
26	22000-13512	BOLT	1
27	22000-13530	SLIDE PIN	1

* Denotes item is part of an assembly ** Denotes item is part of a sub-assembly

HANDLE ASSEMBLY

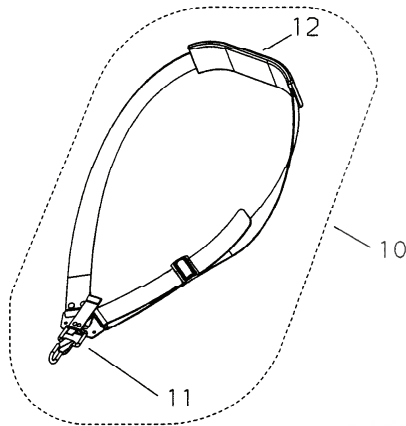
ILLUSTRATION 10 - REV 10/04

Ref. No	Part No.	Part Name	Q'ty
10- 1	60904-98310	HANDLE ASSEMBLY	1
2	62901-64113	*HANDLE	1
3	65011-64120	*BARRIER	1
4	11022-05350	*BOLT SPW	4
5	22420-16120	*NUT	4

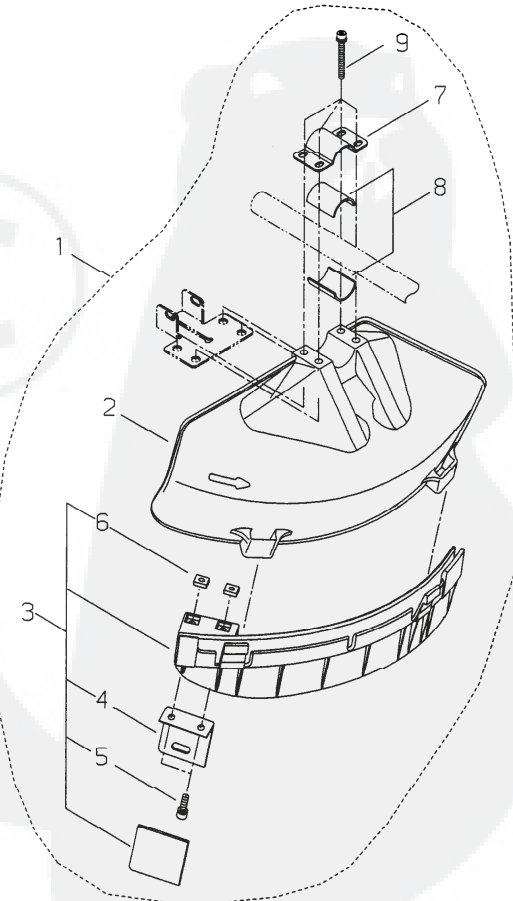


GUARD SET / STRAP ASSEMBLY

ILLUSTRATION 11 - REV 10/04

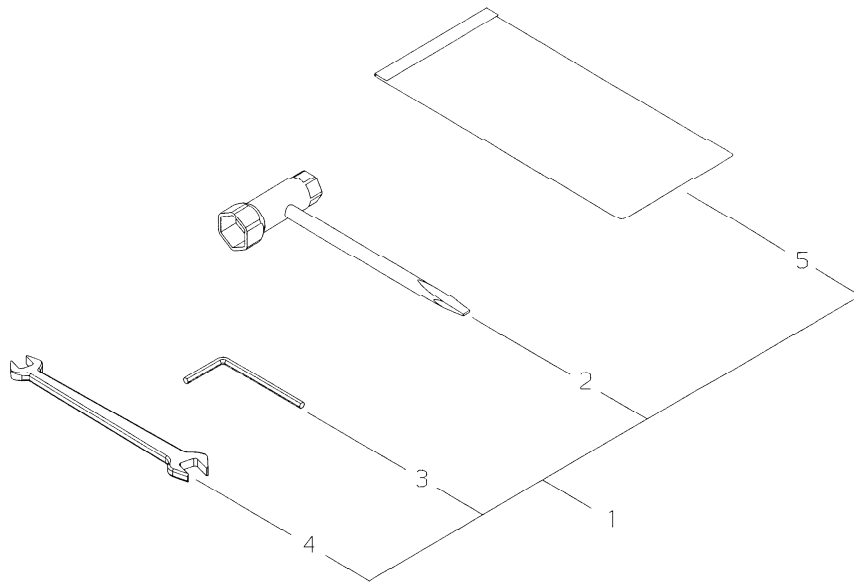


Ref. No	Part No.	Part Name	Q'ty
11- 1	62903-66321	GUARD SET	1
2	62903-66110	*GUARD	1
3	62903-66331	*SUB GUARD ASSEMBLY	1
4	72480-16121	**CUTTER	1
5	11020-05160	**BOLT SW	2
6	22420-16120	**NUT	2
7	72480-16210	*UPPER CLAMP	1
8	72480-16220	*SPACER	2
9	11022-05450	*BOLT SPW	4
10	22421-17202	STRAP ASSEMBLY	1
11	22421-17130	*HOOK	1
12	22007-17220	*PROTECTOR	1



TOOL SET

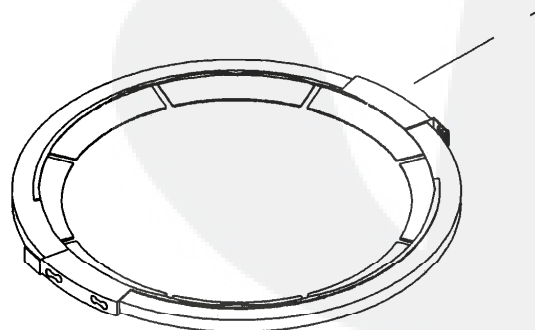
ILLUSTRATION 12 - REV 10/04



Ref. No	Part No.	Part Name	Q'ty
12- 1	22410-91000	TOOLSET	1
2	22000-91181	*PLUG WRENCH	1
3	09026-04001	*HEX A WRENCH	1
4	22000-91120	*SPANNER	1
5	19639-01400	*TOOLBAG	1

BLADE COVER

ILLUSTRATION 13 - REV 10/04



Ref. No	Part No.	Part Name	Q'ty
13- 1	22550-92310	BLADE COVER	1

* Denotes item is part of an assembly ** Denotes item is part of a sub-assembly



shindaiwa

www.shindaiwa.com

11975 SW Herman Road, Tualatin, Oregon 97062, U.S.A.

1 + 503.692.3070 • fax 1 + 503.692.6696 •

Item #xxxx Effective 10/04