

Shindaiwa Illustrated Parts List

F220 EC1 Trimmer

CYLINDER / MUFFLER	2
CRANKCASE / FAN COVER / CLUTCH DRUM	3
PISTON / CRANKSHAFT	4
ROTOR / COIL ASSEMBLY	5
RECOIL STARTER	6
CARBURETOR / CLEANER	7
FUEL TANK	8
OUTER PIPE / THROTTLE LEVER	9
SHAFT CASE	10
HANDLE	11
GUARD	12
TOOL SET	13

www.shindaiwa.com

11975 SW Herman Road

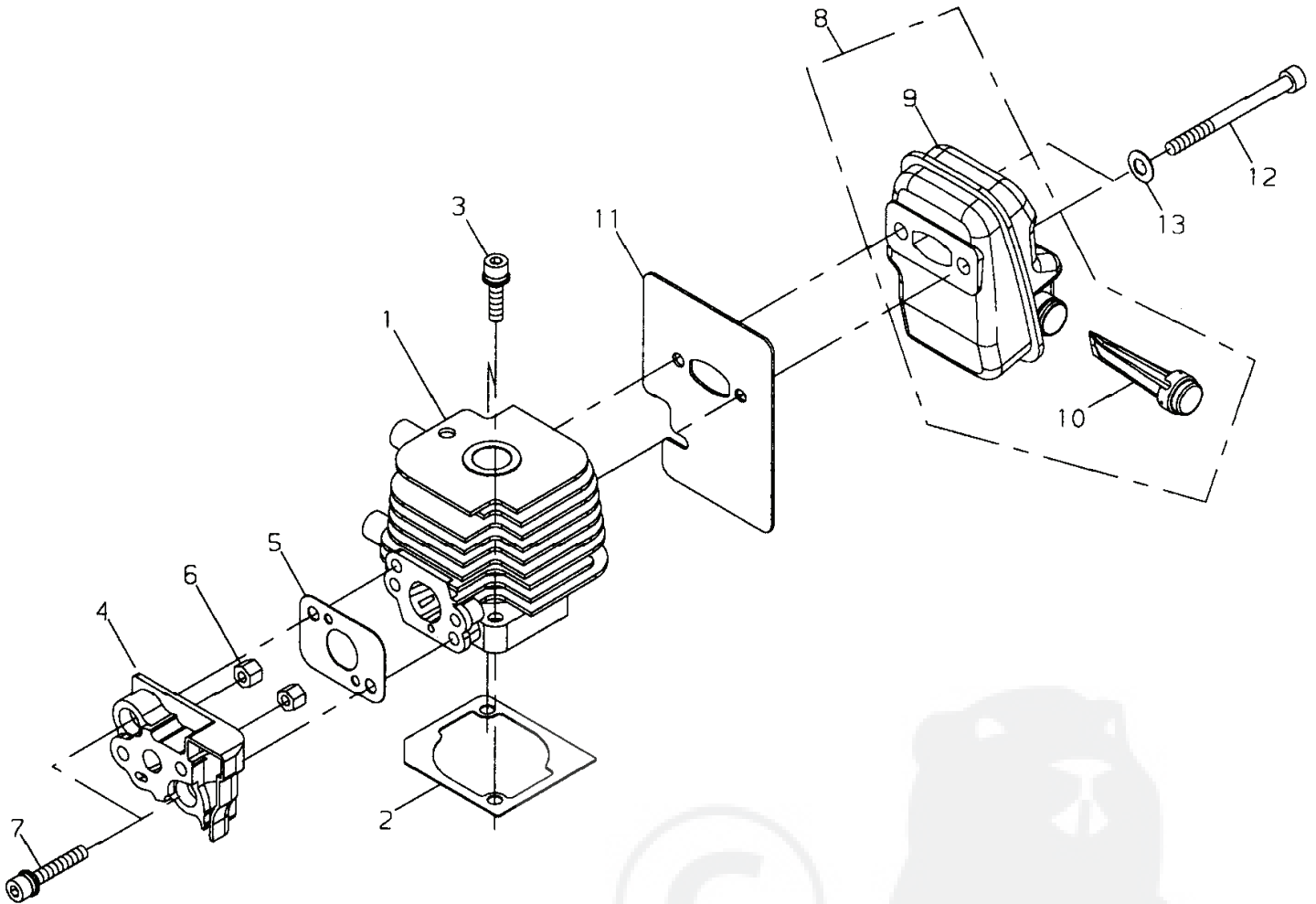
Tualatin, Oregon 97062, U.S.A.

1 + 503.692.3070 • fax 1 + 503.692.6696 •

shindaiwa

CYLINDER / MUFFLER

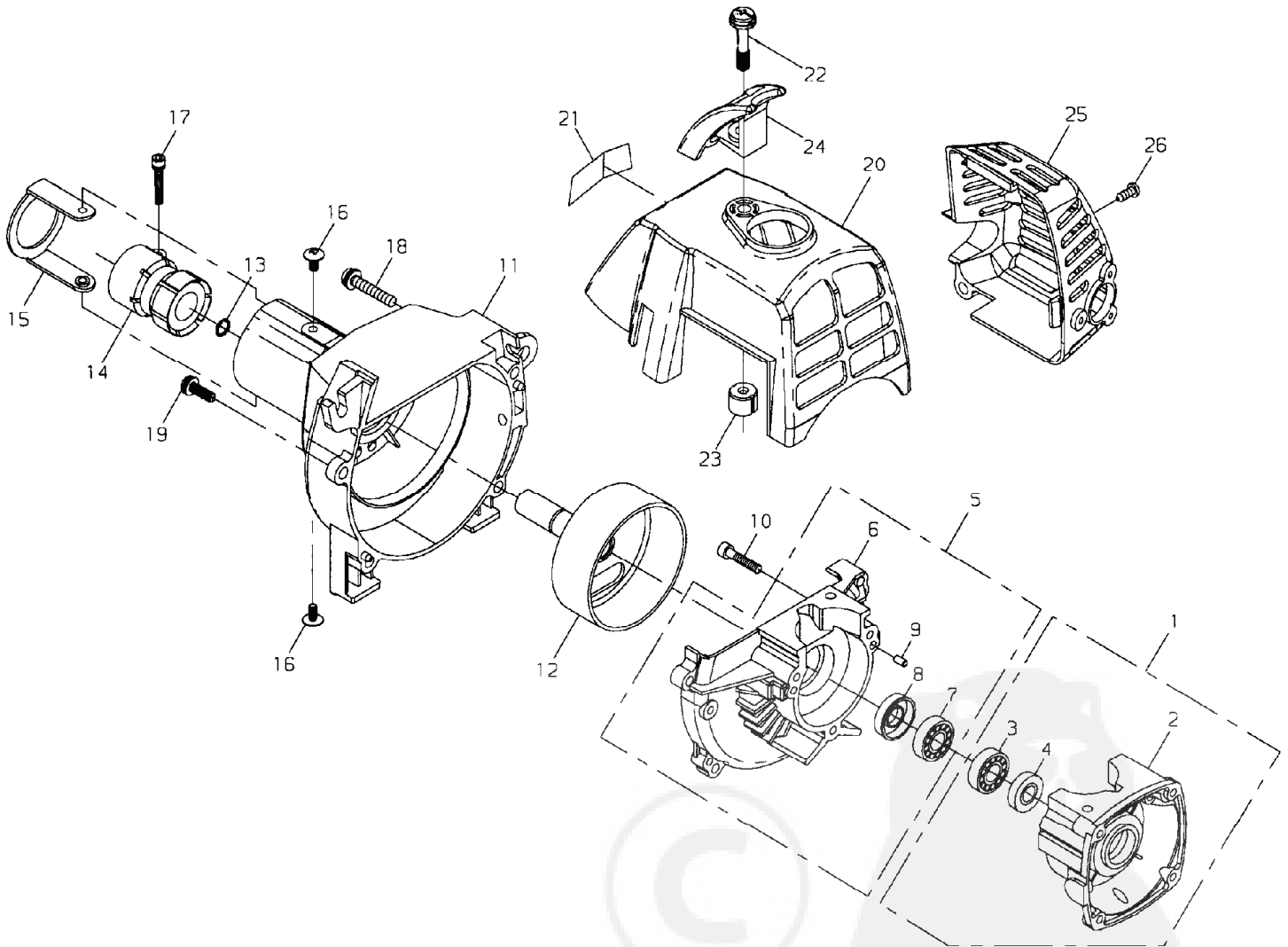
ILLUSTRATION 1 - REV 10/04



Ref. No	Part No.	Part Name	Q'ty
1-1	20142-12110	CYLINDER	1
2	20016-12120	GASKET	1
3	11022-05250	BOLT SPW	2
4	20140-12210	INSULATOR	1
5	20140-12221	GASKET	1
6	20011-12260	NUT	2
7	11022-05250	BOLT SPW	2
8	67000-15010	MUFFLER ASSEMBLY	1
9	67000-15110	*MUFFLER	1
10	67000-15340	*SPARK ARRESTER	1
11	20140-15120	GASKET	1
12	01020-05400	BOLT	2
13	01610-05080	WASHER	2

CRANKCASE / FAN COVER / CLUTCH DRUM

ILLUSTRATION 2 - REV 10/04



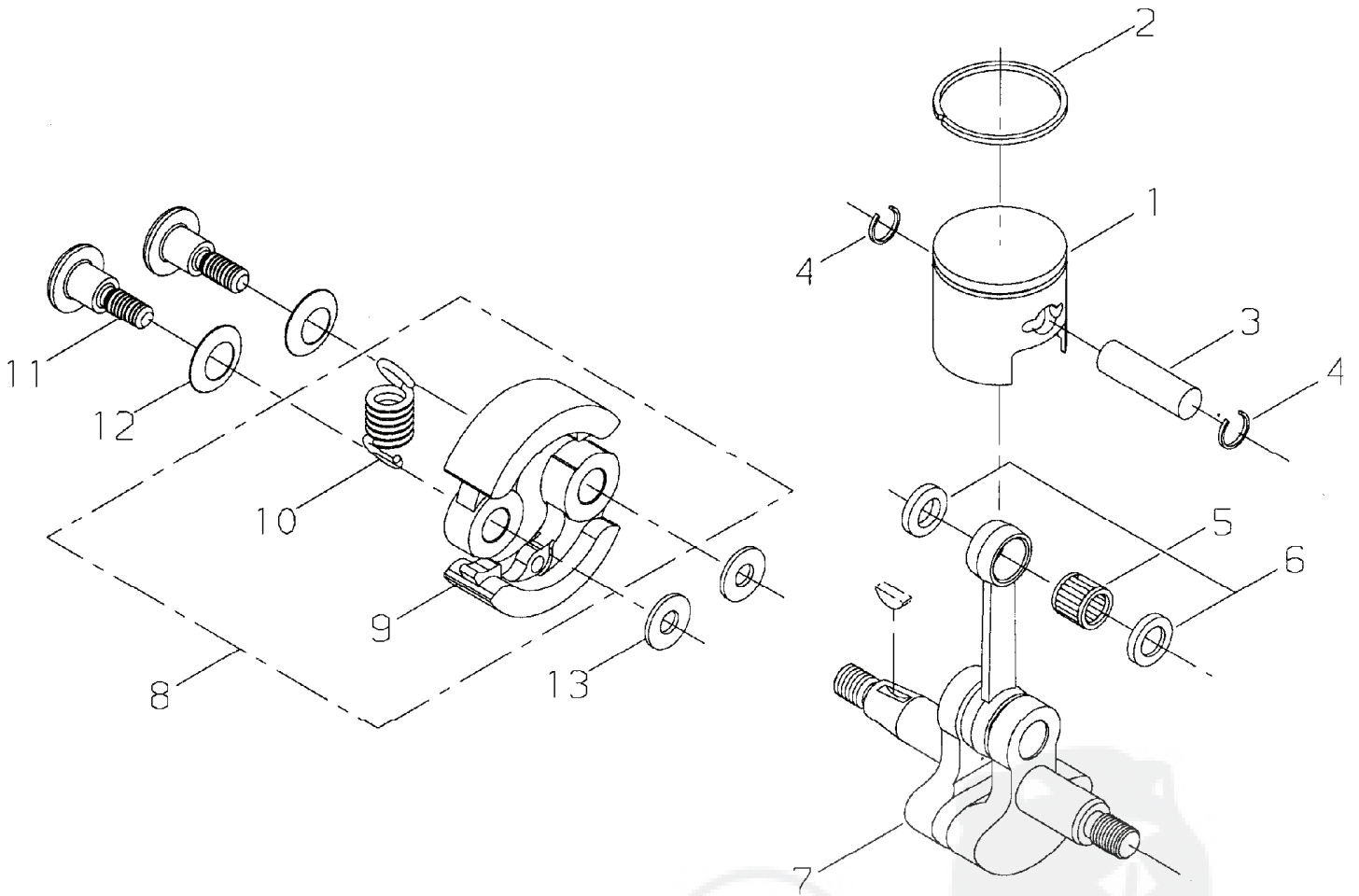
Ref. No	Part No.	Part Name	Q'ty
2-1	20035-21101	CRANKCASE S COMP	1
2	20036-21112	*CRANKCASES	1
3	12900-60010	*BEARING	1
4	22150-21250	*OIL SEAL	1
5	20140-21201	CRANKCASE M COMP	1
6	20036-21124	*CRANKCASE M	1
7	12900-60010	*BEARING	1
8	20000-21211	*OIL SEAL	1
9	12492-40080	*ROLLER	2
10	01020-05250	BOLT	3
11	20142-31113	FAN COVER	1
12	20016-31212	CLUTCH DRUM	1
13	20000-31140	SNAP RING	1

Ref. No	Part No.	Part Name	Q'ty
14	20087-31411	JOINT	1
15	20142-31420	STOPPER	1
16	11260-04081	SCREW ADHESIVE	2
17	11020-05220	BOLT SW	1
18	11206-05300	SCREW PMSPW	1
19	11206-05160	SCREW PMSPW	1
20	20140-32112	CYLINDER COVER	1
21	62095-91320	LABEL TRADE	1
22	20140-31250	SCREW PMSLPW	1
23	20140-31260	INSULATOR	1
24	20140-34112	PROTECTOR	1
25	20142-32211	MUFFLER COVER	1
26	22160-32210	SCREW PC	1

* Denotes item is part of an assembly ** Denotes item is part of a sub-assembly

PISTON / CRANKSHAFT

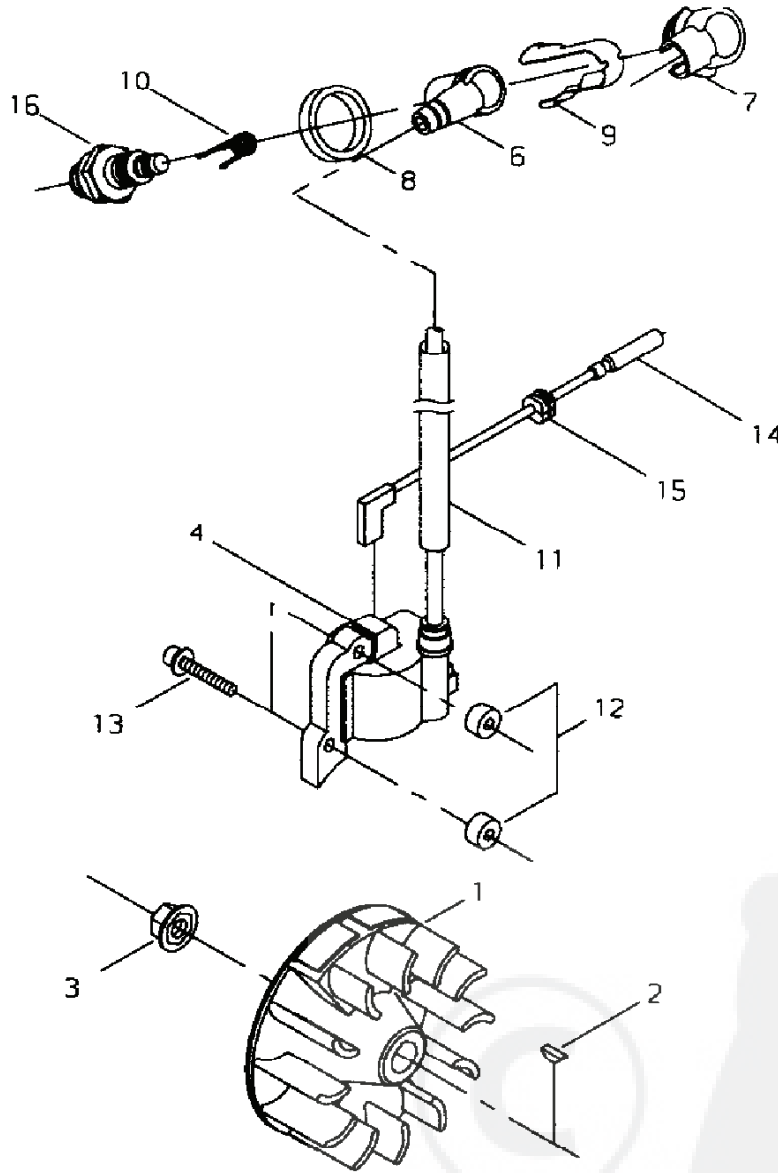
ILLUSTRATION 3 - REV 10/04



Ref. No	Part No.	Part Name	Q'ty
3-1	20142-41110	PISTON	1
2	20142-41210	PISTON RING	1
3	20142-41310	PISTON PIN	1
4	70030-41320	SNAP RING	2
5	67000-41230	NEEDLE BEARING	1
6	20016-41340	THRUST WASHER	2
7	67000-42010	CRANKSHAFT	1
8	62090-51020	CLUTCH SHOE ASSEMBLY	1
9	20035-51111	*CLUTCH SHOE	2
10	37013-51310	*COIL SPRING	1
11	20142-51210	BOLT	2
12	20087-51231	SPRING PLATE	2
13	22100-71430	WASHER	2

ROTOR / COIL ASSEMBLY

ILLUSTRATION 4 - REV 10/04

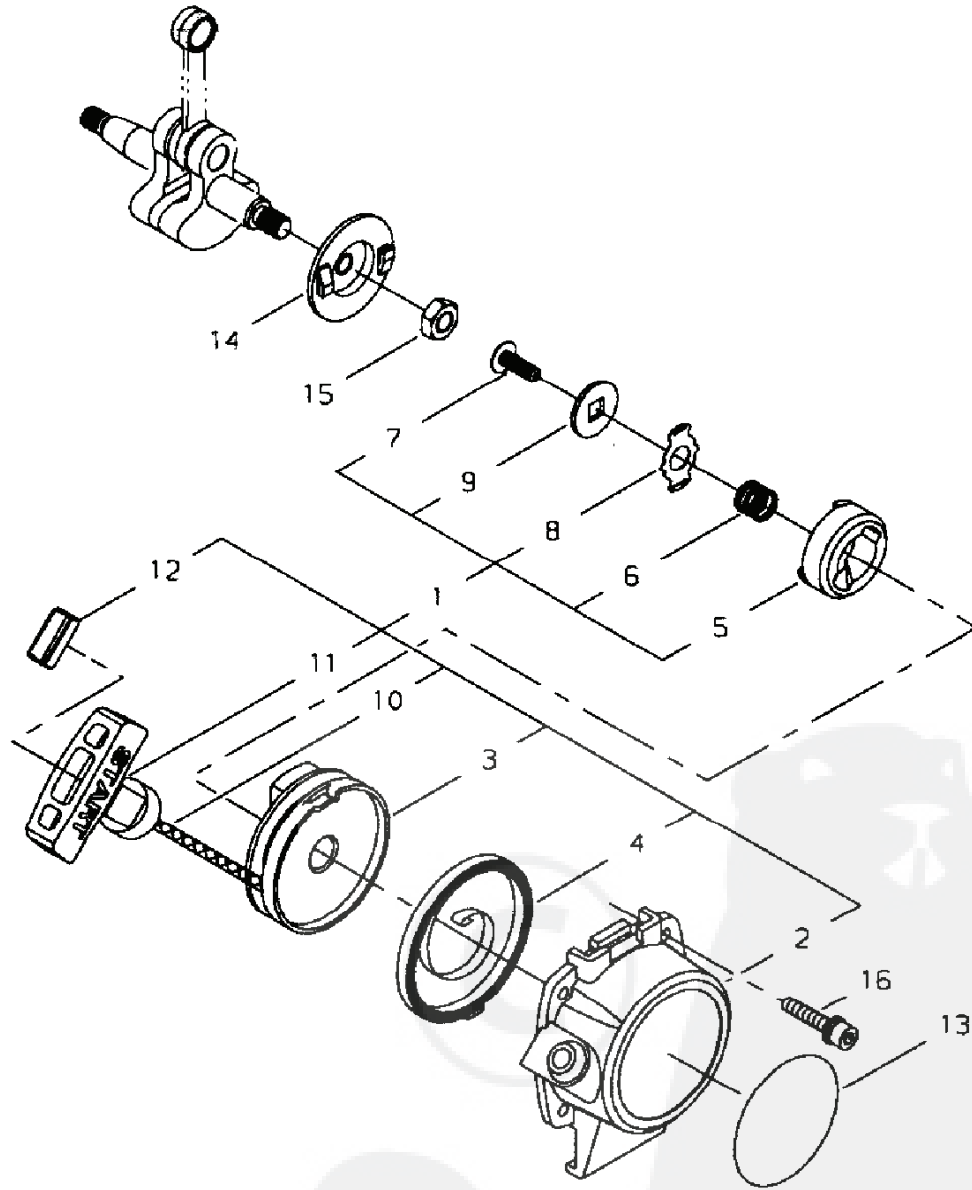


Ref. No	Part No.	Part Name	Q'ty
4-1	20140-71200	ROTOR	1
2	02403-03100	KEY	1
3	20035-71220	NUT	1
4	20140-71600	COIL ASSEMBLY	1
6	20010-72221	PLUG CAP	1
7	20000-72241	PLUG CAP COVER	1
8	20000-72250	COVER BAND	1
9	70180-72260	SHIELD	1
10	20000-72230	SPRING SPARKPLUG	1
11	70064-72111	TUBE	1
12	70030-71620	INSULATOR	2
13	11024-04261	BOLT SLPW	2
14	67000-71240	CORD	1
15	20011-72120	GROMMET	1
16	13000-13406	SPARKPLUG BMR6A	1

* Denotes item is part of an assembly ** Denotes item is part of a sub-assembly

RECOIL STARTER

ILLUSTRATION 5 - REV 10/04

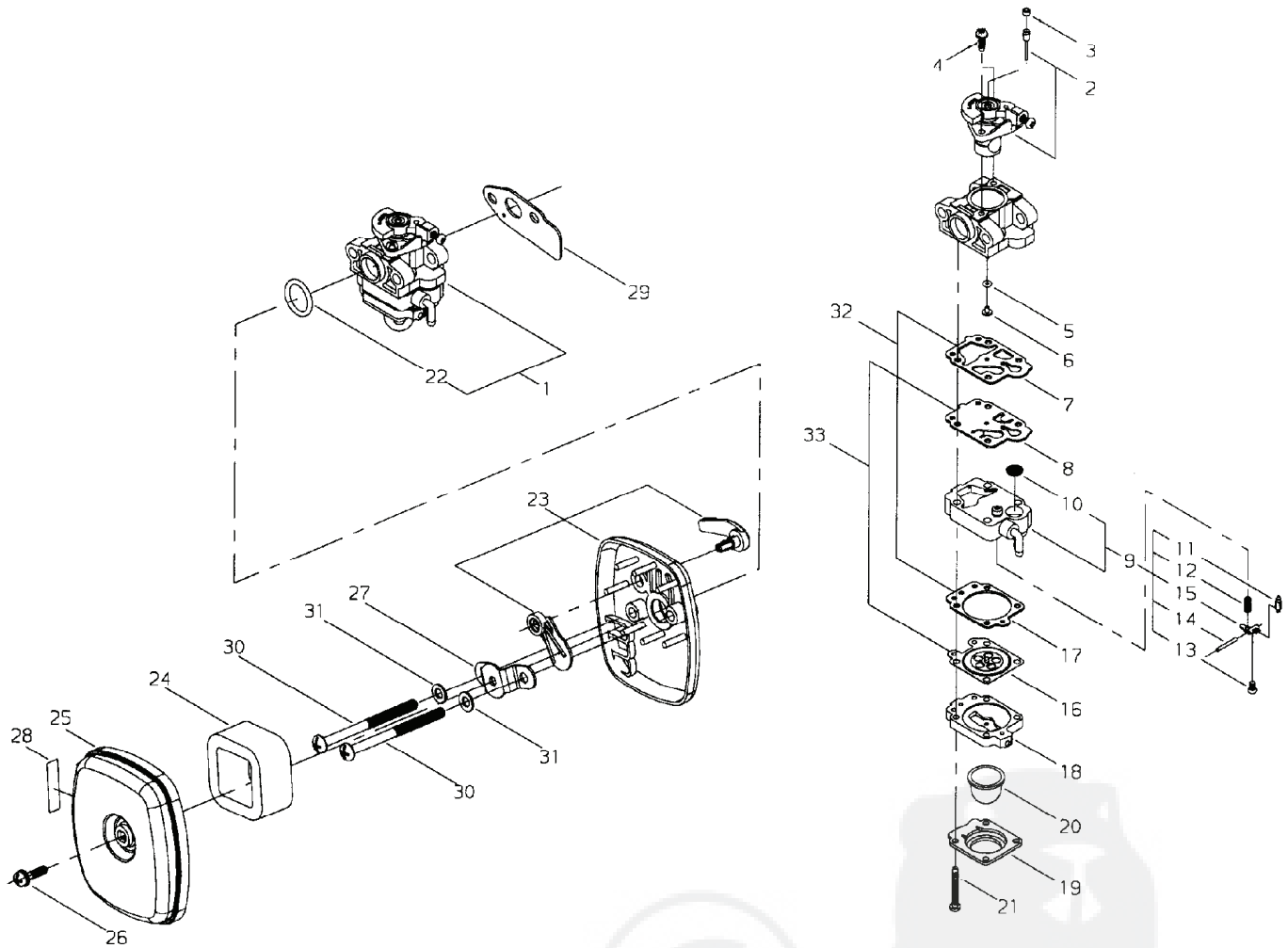


Ref. No	Part No.	Part Name	Q'ty
5-1	20140-75100	RECOIL STARTER SUB ASSEMBLY	1
2	20140-75110	*STARTER CASE	1
3	20140-75120	*REEL	1
4	20140-75130	*SPRING	1
5	20140-75140	*DOG	1
6	20140-75150	*BRAKE SPRING	1
7	20140-75160	*SCREW	1
8	20140-75170	*RETAINER	1

Ref. No	Part No.	Part Name	Q'ty
9	20140-75180	*WASHER	1
10	70064-75190	*ROPE	1
11	70064-75211	*HANDLE	1
12	70064-75220	*STOPPER	1
13	62090-91330	NAMEPLATE	1
14	20140-75310	STARTER PULLEY	1
15	01511-08051	NUT	1
16	11024-04120	BOLT SPW	2

CARBURETOR / CLEANER

ILLUSTRATION 6 - REV 10/04



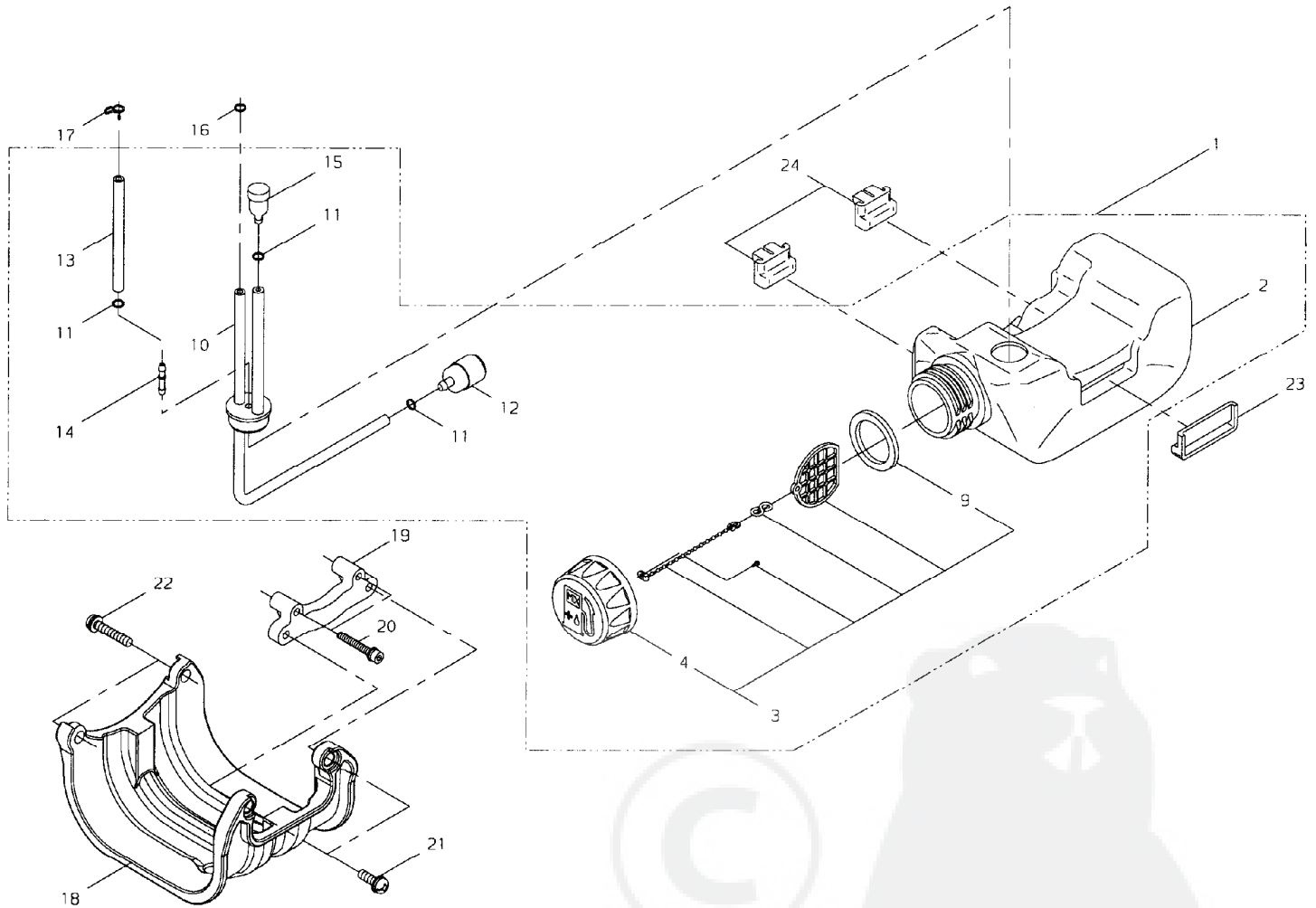
Ref. No	Part No.	Part Name	Q'ty
6-1	67000-81010	CARBURETOR ASSEMBLY	1
2	20016-81180	*VALVE ASSEMBLY	1
3	62074-81320	*PLAG	1
4	70064-81290	*SCREW	2
5	70097-81330	*PUMP PLATE	1
6	67000-81330	*MAIN JET	1
7	70097-81310	*GASKET PUMP	1
8	70097-81320	*DIAPHRAGM	1
9	72933-81410	*PUMP BODY ASSEMBLY	1
10	70030-81380	**SCREEN	1
11	20036-81440	**NEEDLE VALVE	1
12	72933-81270	**SPRING	1
13	20016-81450	**SCREW	1
14	22100-81250	**PIN	1
15	22100-81230	**LEVER	1
16	22100-81260	*DIAPHRAGM ASSEMBLY	1
17	20016-81280	*GASKET	1
18	20016-81420	*PUMP BASE COMP	1
19	20016-81510	*PUMP COVER	1

Ref. No	Part No.	Part Name	Q'ty
20	20036-81670	*PRIMER PUMP	1
21	20016-81140	*SCREW	4
22	20016-81250	*O-RING	1
23	20140-81700	CLEANER BODY SUB ASSEMBLY	1
24	20140-82210	FILTER	1
25	20140-81790	CLEANER COVER	1
26	37019-82340	SCREW PMSLPW	1
27	20018-81721	BACKPLATE	1
28	19404-00008	LABEL CHOKE	1
29	20140-81350	GASKET	1
30	11203-05658	SCREW PM	2
31	01610-05080	WASHER	2
32	20016-81910	GASKET KIT	1
7	70097-81310	*GASKET PUMP	1
17	20016-81280	*GASKET	1
33	70097-81920	DIAPHRAGM KIT	1
8	70097-81320	*DIAPHRAGM	1
16	22100-81260	*DIAPHRAGM ASSEMBLY	1

* Denotes item is part of an assembly ** Denotes item is part of a sub-assembly

FUEL TANK

ILLUSTRATION 7 - REV 10/04

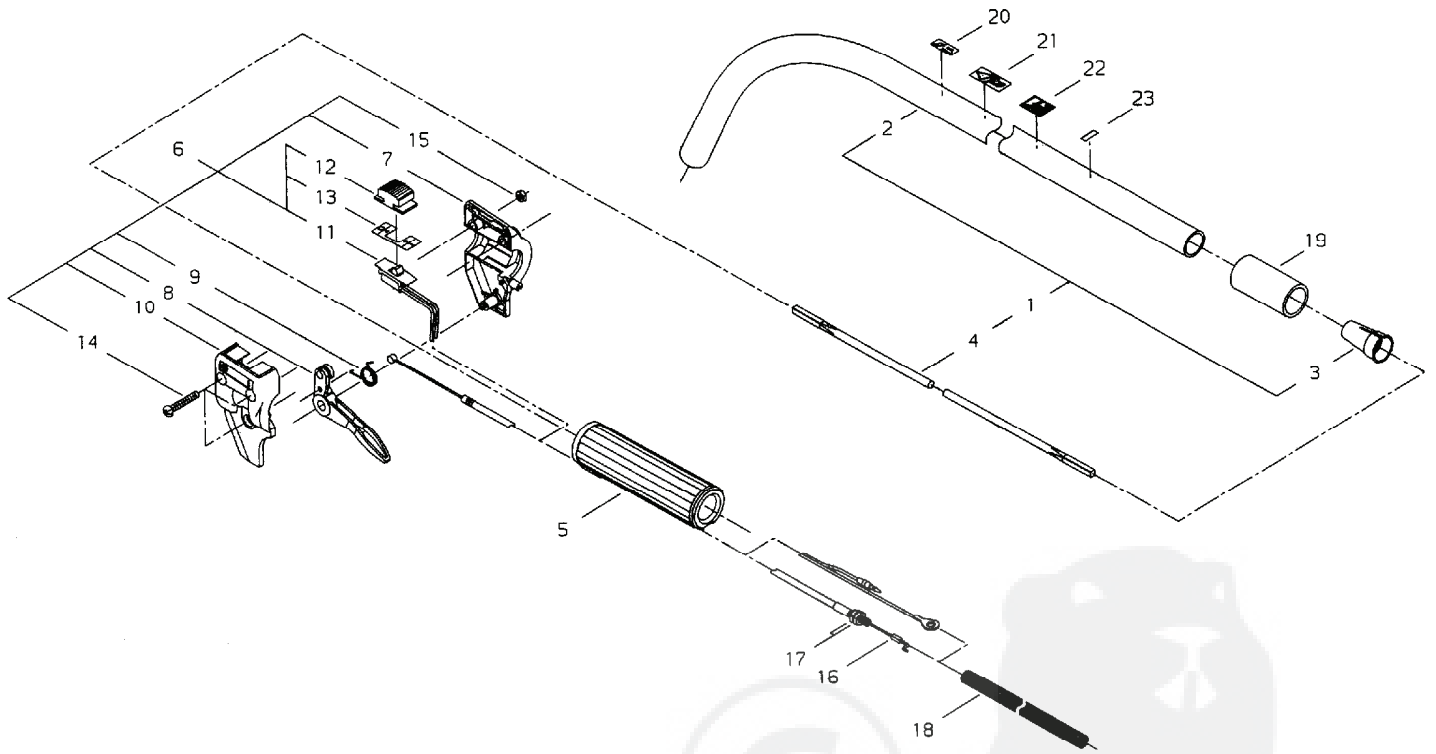


Ref. No	Part No.	Part Name	Q'ty
7-1	62002-85013	FUEL TANK ASSEMBLY	1
2	20142-85113	*FUEL TANK	1
3	70168-85201	*FUEL CAP ASSEMBLY	1
4	70168-85210	**FUEL CAP	1
9	20000-85221	**GASKET	1
10	20140-85310	*FUEL PIPE	1
11	20020-85540	*CLIP	3
12	20016-85400	*FUEL FILTER	1
13	20112-85361	*PIPE	1
14	72933-85620	*JOINT	1

Ref. No	Part No.	Part Name	Q'ty
15	20035-85522	*VALVE	1
16	20020-85540	CLIP	1
17	37013-85310	CLIP	1
18	62902-85320	TANK GUARD	1
19	67000-86310	BRACKET	1
20	11024-04300	BOLT SW	2
21	11206-05180	SCREW PM	2
22	11206-05350	SCREW PMSPW	2
23	20087-86130	TANK CUSHION	1
24	20087-86141	TANK CUSHION	2

OUTER PIPE / THROTTLE LEVER

ILLUSTRATION 8 - REV 10/04



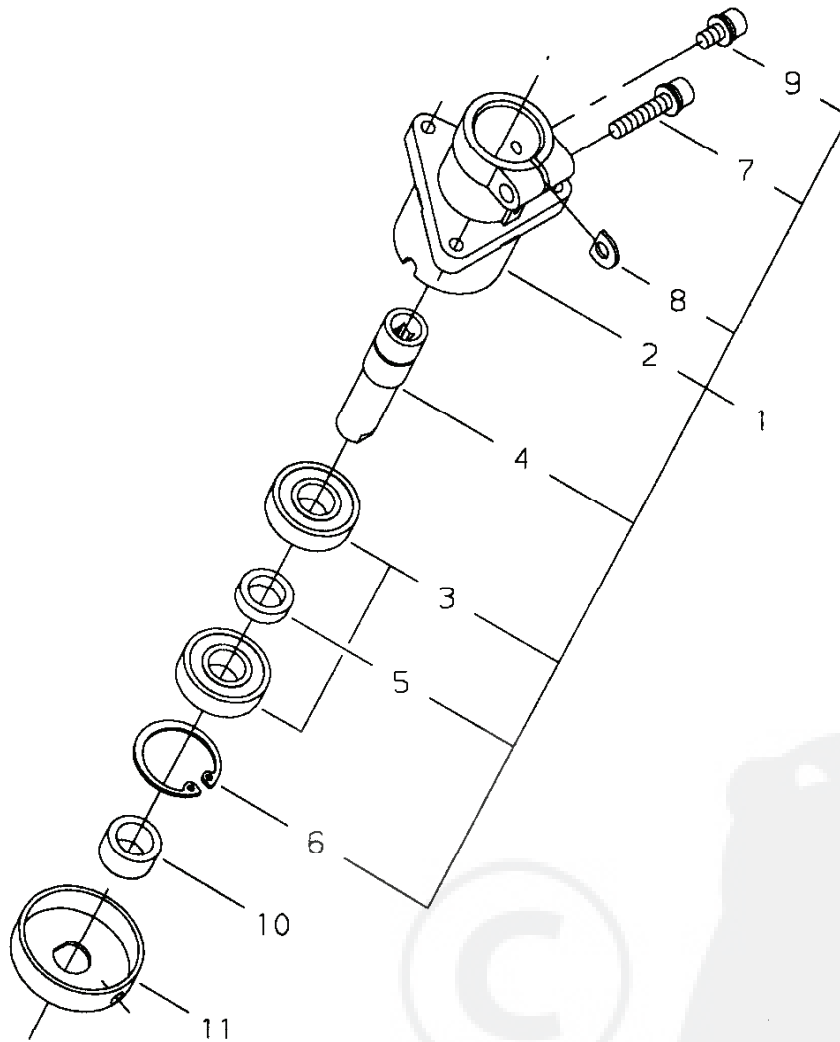
Ref. No	Part No.	Part Name	Q'ty
8- 1	67001-62021	OUTER PIPE SUB ASSEMBLY	1
2	67001-62111	*OUTER PIPE	1
3	67001-62320	*SPACER	1
4	67001-62211	*FLEXIBLE SHAFT	1
5	72414-12130	GRIP	1
6	67001-62160	THROTTLE LEVER ASSEMBLY	1
7	72414-12612	*BRACKET RIGHT	1
8	22410-14321	*LEVER	1
9	22410-14331	*SPRING	1
10	72414-12641	*BRACKET LEFT	1
11	67000-62310	*SWITCH	1
12	22420-12930	*KNOB	1

Ref. No	Part No.	Part Name	Q'ty
13	22420-12940	*PLATE	1
14	11206-05300	*SCREW PMSPW	3
15	01501-05031	*NUT	3
16	22550-14510	THROTTLE CABLE	1
17	01501-06041	NUT	2
18	70229-83140	TUBE	1
19	63061-62310	PROTECTOR	1
20	19402-00231	LABEL CAUTION	1
21	19422-00016	LABEL CAUTION	1
22	19404-00035	LABEL DECIBEL	1
23	72017-12150	HANDLE LABEL	1

* Denotes item is part of an assembly ** Denotes item is part of a sub-assembly

SHAFT CASE

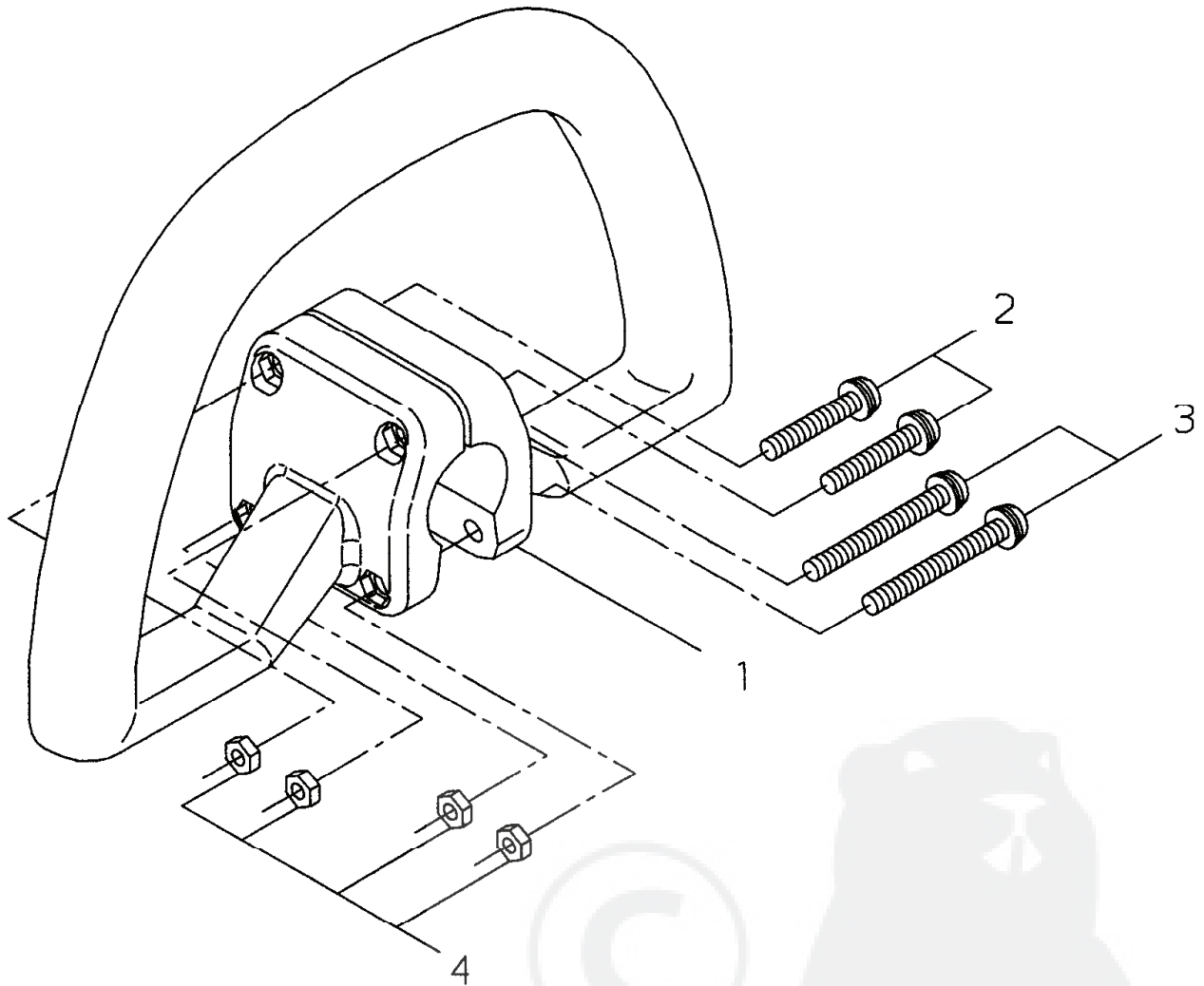
ILLUSTRATION 9 - REV 10/04



Ref. No	Part No.	Part Name	Q'ty
9- 1	72443-13010	SHAFT CASE SUB ASSEMBLY	1
2	72443-13110	*SHAFT CASE	1
3	02006-06001	*BEARING	2
4	72414-13120	*SHAFT	1
5	72030-13130	*COLLAR A	1
6	02432-28120	*SNAP RING	1
7	11022-05250	*BOLT SPW	1
8	22000-13420	*SHIM	1
9	11022-05100	*BOLT SPW	1
10	72030-13140	COLLAR B	1
11	72030-13151	HOLDER	1

HANDLE

ILLUSTRATION 10 - REV 10/04

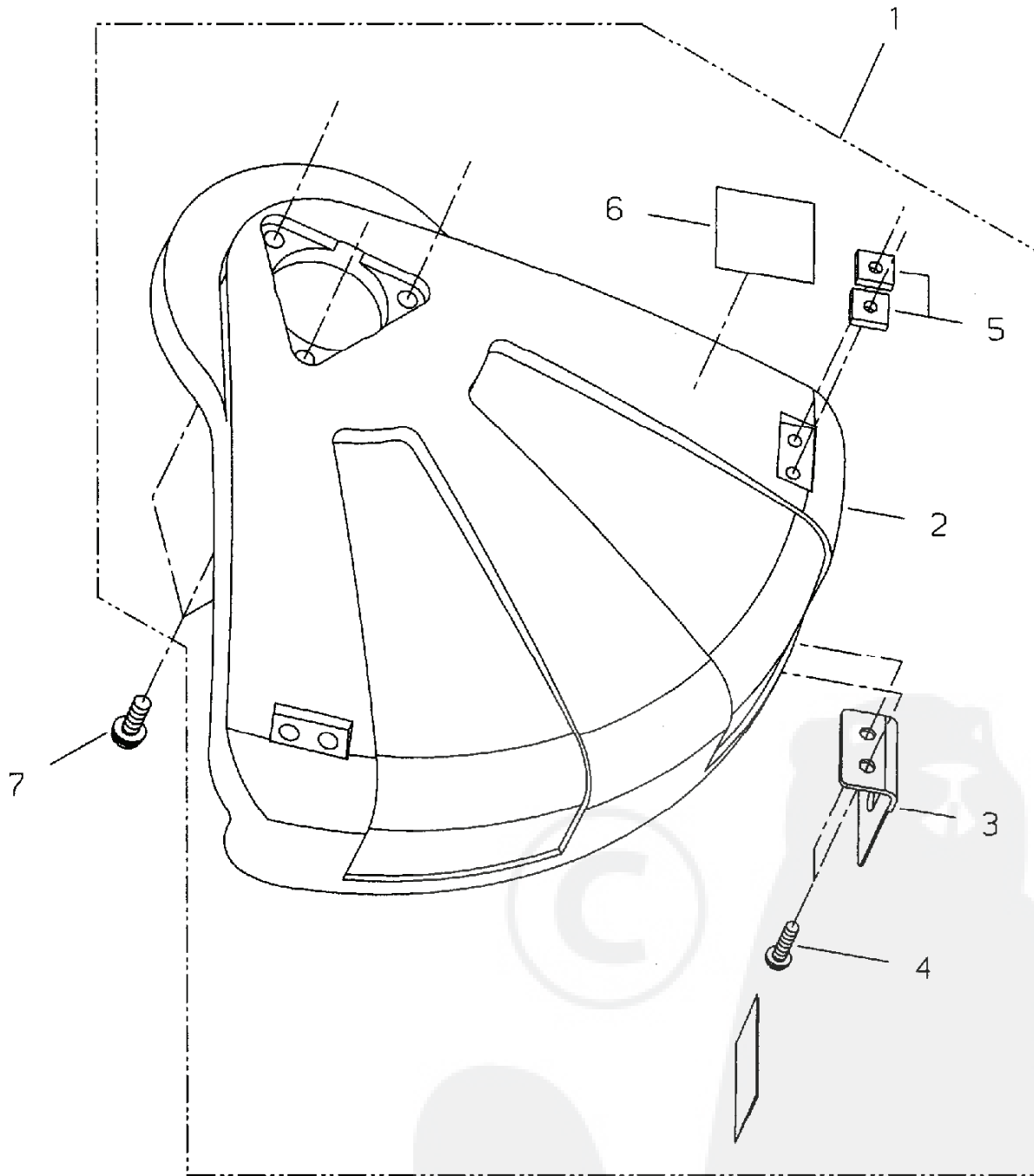


Ref. No	Part No.	Part Name	Q'ty
10- 1	72495-14110	HANDLE	1
2	11207-05300	SCREW PMSLPW	2
3	11207-05450	SCREW PMSLPW	2
4	01500-05041	NUT	4

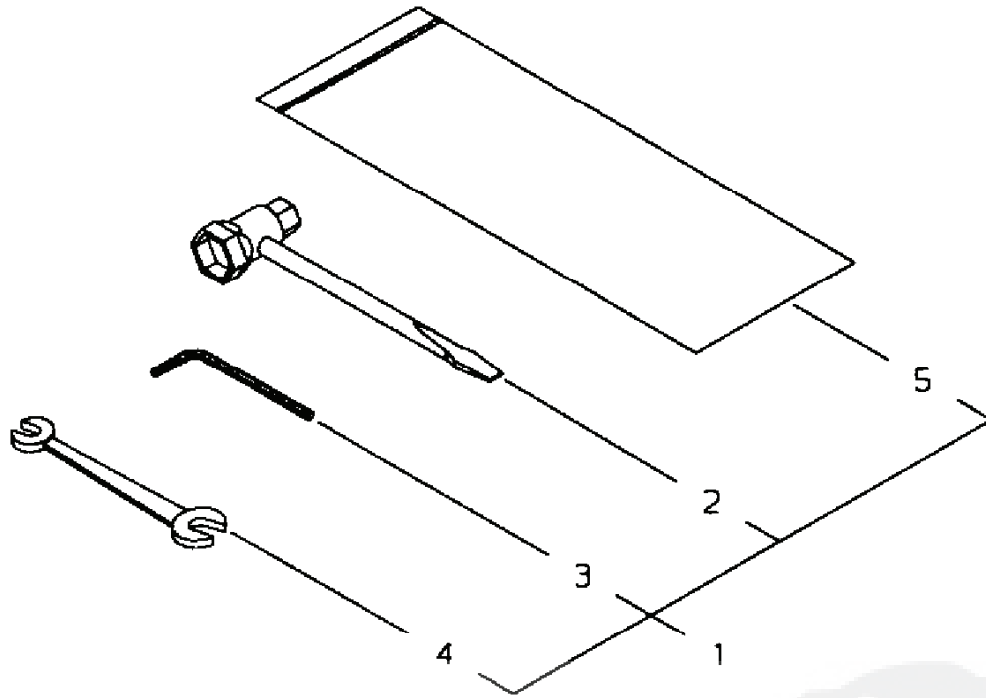
* Denotes item is part of an assembly ** Denotes item is part of a sub-assembly

GUARD

ILLUSTRATION 11 - REV 10/04



Ref. No	Part No.	Part Name	Q'ty
11-1	67001-66012	GUARD ASSEMBLY	1
2	67001-66112	*GUARD	1
3	67001-66310	*CUTTER	1
4	11204-04160	*SCREW PMSW	2
5	72030-16151	*NUT	2
6	72030-16140	*CAUTION PLATE	1
7	11206-05160	*SCREW PMSPW	3



Ref. No	Part No.	Part Name	Q'ty
12- 1	22410-91000	TOOLSET	1
2	22000-91181	*PLUG WRENCH	1
3	09026-04001	*HEX WRENCH	1
4	22000-91120	*SPANNER	1
5	19639-01400	*TOOLBAG	1

* Denotes item is part of an assembly ** Denotes item is part of a sub-assembly



shindaiwa

www.shindaiwa.com

11975 SW Herman Road, Tualatin, Oregon 97062, U.S.A.

1 + 503.692.3070 • fax 1 + 503.692.6696 •

Item #xxxx Effective 10/04